

AW-250-3-80101 3 BOOM,WHEEL TYPE

PD2000224-00 SWING UNIT

PG2000307-00 BOOM UNIT

PH1000550-00 SAFETY DEVICES (MOTION CONTROLLER)

PJ3000573-02 BASKET SYSTEM

PO1000168-00 INDICATION PLATES

PQ2000010-00 ENGINE UNIT

PR2000022-00 AXLE SYSTEM

PW1000118-00 ACCESSORIES & TOOLS

PX2001245-00 CARRIER UNIT

PY1001439-00 OPTIONS

ASSEMBLY

CLICK HERE TO **DOWNLOAD** THE COMPLETE MANUAL

- Thank you very much for reading the preview of the manual.
- You can download the complete manual from: www.heydownloads.com by clicking the link below



- Please note: If there is no response to CLICKING the link, please download this PDF first and then click on it.

CLICK HERE TO **DOWNLOAD** THE COMPLETE MANUAL

AW-250-3-80101 3 BOOM,WHEEL TYPE

Pos No.	Parts No	Parts Name	Qty	Unit	Technical Data	Serial No (Start)
2	(*****)	ELEC.ASSY (BASKET)	1			
3	(*****)	TOUCH SWITCH	1			
4	(*****)	BASKET	1			
	(*****)	BASKET	1			
	(*****)	BASKET ASSY (E.P.M.)	1			
5	(*****)	BASKET ASSY	1			420455
6	(*****)	OPE.ASSY (YUTAKA/ELEVATING CONT.REVERSE)	1			
	(*****)	OPE.ASSY (BUCKET/STD)	1			
10	(*****)	FRAME ASSY (ACTUATEDE WITH MOTOR/MITSUBISHI)	1			420455
11	(*****)	FRAME (ACTUATED WITH CYLINDER)	1			
	(*****)	FRAME (ACTUATEDE WITH MOTOR)	1			
12	(*****)	PIPING,BASKET (ACTUATED WITH CYLINDER)	1			
	(*****)	PIPING,BASKET (ACTUATED WITH MOTOR)	1			
13	(*****)	FOOT SWITCH(FLOOR MADE OF STEEL NETTING)	1			

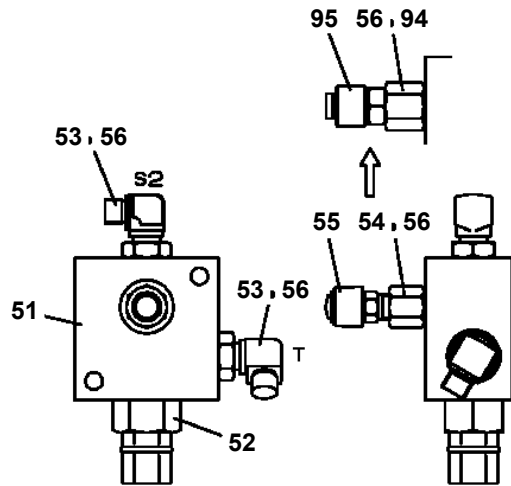
AW-250-3-80101 3 BOOM,WHEEL TYPE

Pos No.	Parts No	Parts Name	Qty	Unit	Technical Data	Serial No (Start)	Serial No (End)	Rem
1	(***** *****)	OUTRIGGER (HYDRAULIC) OUTRIGGER (MANUAL)	1 1					
2	(***** *****)	FRAME	1					
3	(***** *****)	JOINT,ROTARY (MOUNT)	1					
4	(***** *****)	OPERATION SYSTEM, STEERING	1					
5	(***** *****)	TOOL BOX INSTALLATION	1					

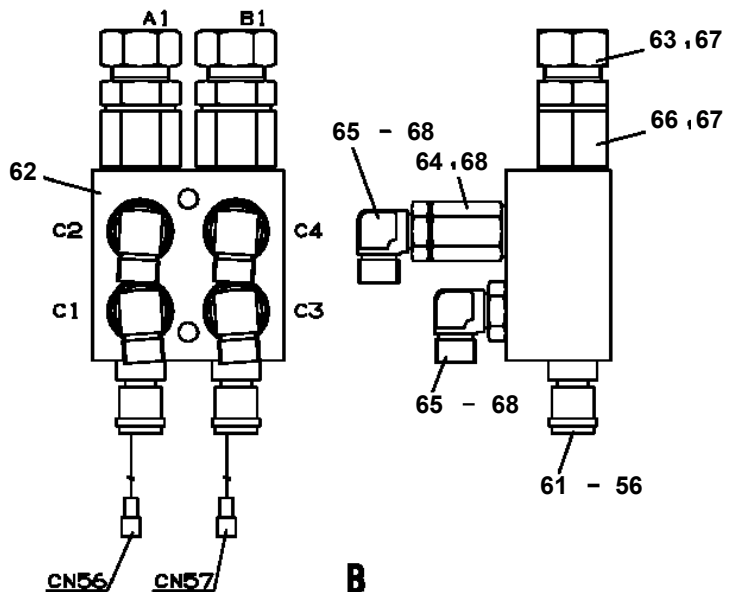
AW-250-3-80101 3 BOOM,WHEEL TYPE

Pos No.	Parts No	Parts Name	Qty	Unit	Technical Data	Serial No (Start)	Serial No (End)	R
1	36654260000	PUMP,HYDRAULIC (EMERGENCY)	1					
2	90172108040	BOLT,HEXAGON SOCKET	2		M8X40			

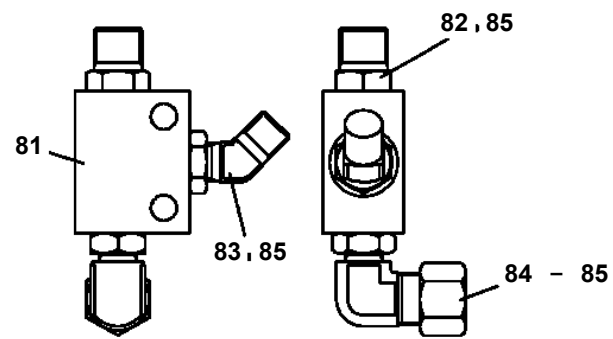
**AW-250-3-80101 3 BOOM, WHEEL TYPE
PB1220265-02 PIPING, DELIVERY**



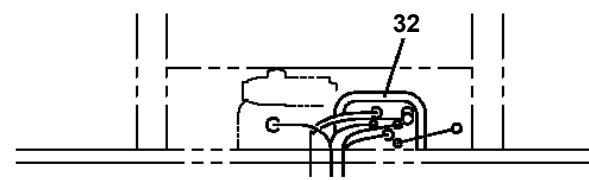
A



B



C

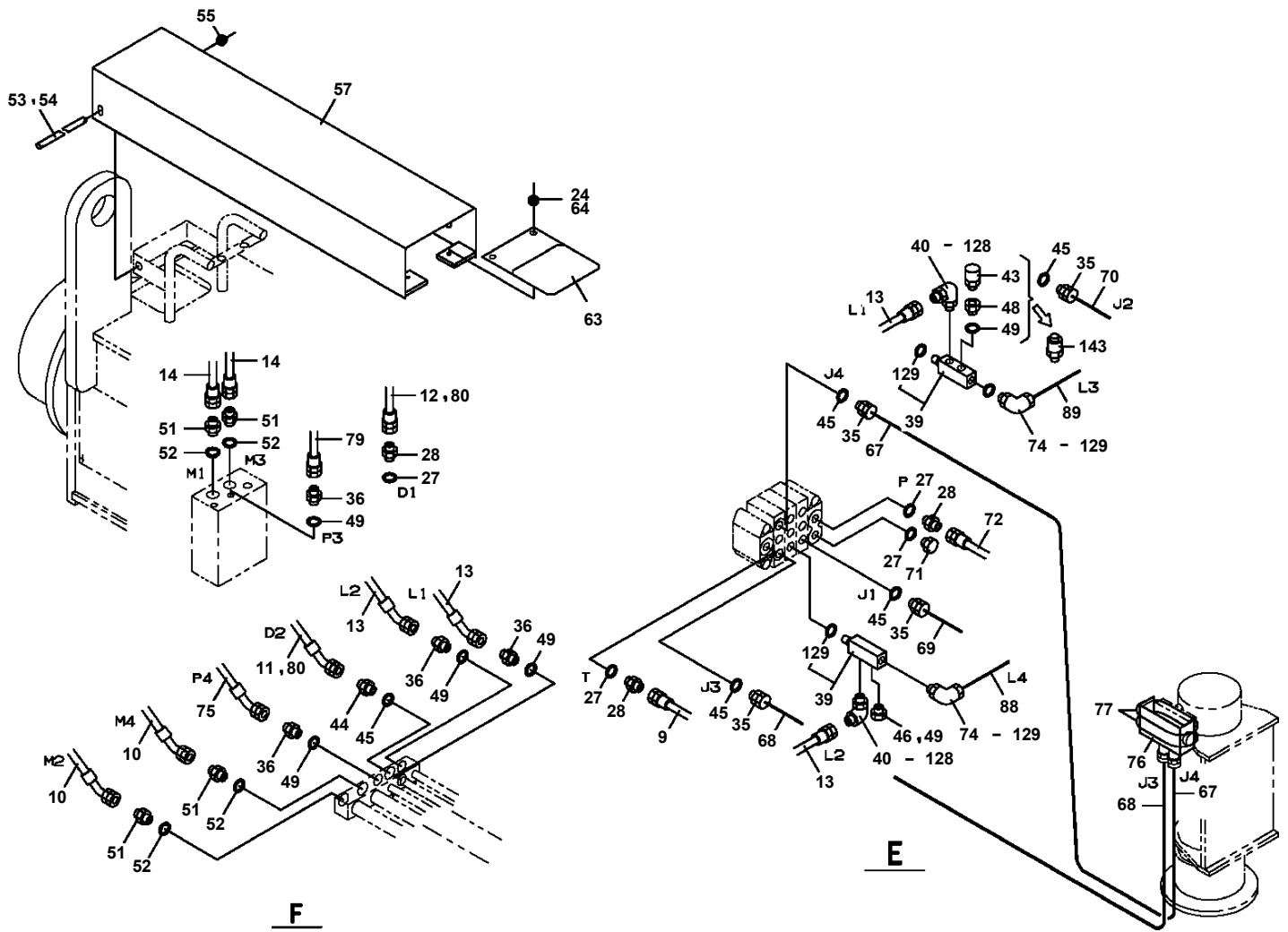


D

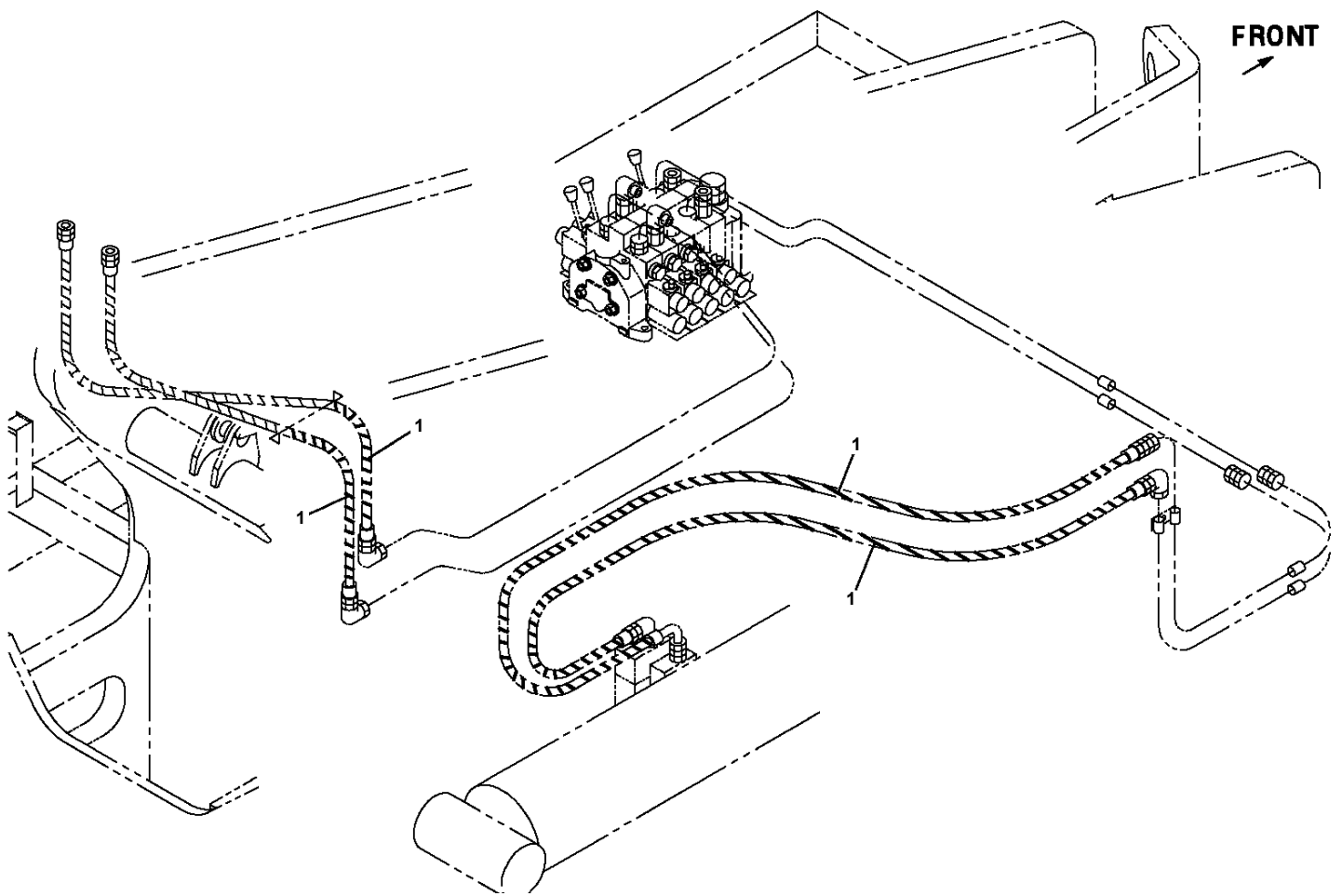
AW-250-3-80101 3 BOOM,WHEEL TYPE

Pos No.	Parts No	Parts Name	Qty	Unit	Technical Data	Serial No (Start)	Serial No (End)	Remarks
2	36636245021	COVER	1					
3	12235104080	SPACER	2					
5	12235104070	COVER	1					
6	12235104090	RETAINER (OIL SEAL)	1					
7	12235104030	BRACKET	1					
8	36636245040	JOINT	1					
9	12235104050	SPRING (COIL)	1					
10	91002801100	O-RING	1		1B P11			
11	91002903000	O-RING	1		1B G30			
12	91001102200	O-RING	1		1A P22			
13	36636245030	BOLT,TIE	4					
14	90201500800	NUT	8		M8			
15	80316030040	PLUG	1		PT1/4			
16	36630235100	PLATE (SIDE)	1					
17	91001204000	O-RING	1		1A G40			
18	12235104040	SEAL,OIL	2					
19	12235104101	PLUG	1					
20	91002801400	O-RING	1		1B P14			
21	80316030060	PLUG	2		PT3/8			
23	36636245050	BRACKET	1					
24	90302040801	WASHER,SPRING	4		8			
25	90131506012	BOLT,HEXAGON SOCKET	4		M6X12			
41	36636245060	VALVE,CONTROL	1					
50	36636240000	VALVE,MANUAL CONTROL	1					

AW-250-3-80101 3 BOOM, WHEEL TYPE PB1411999-03 PIPING, LOWER (CARRIER/HYDRAULIC)



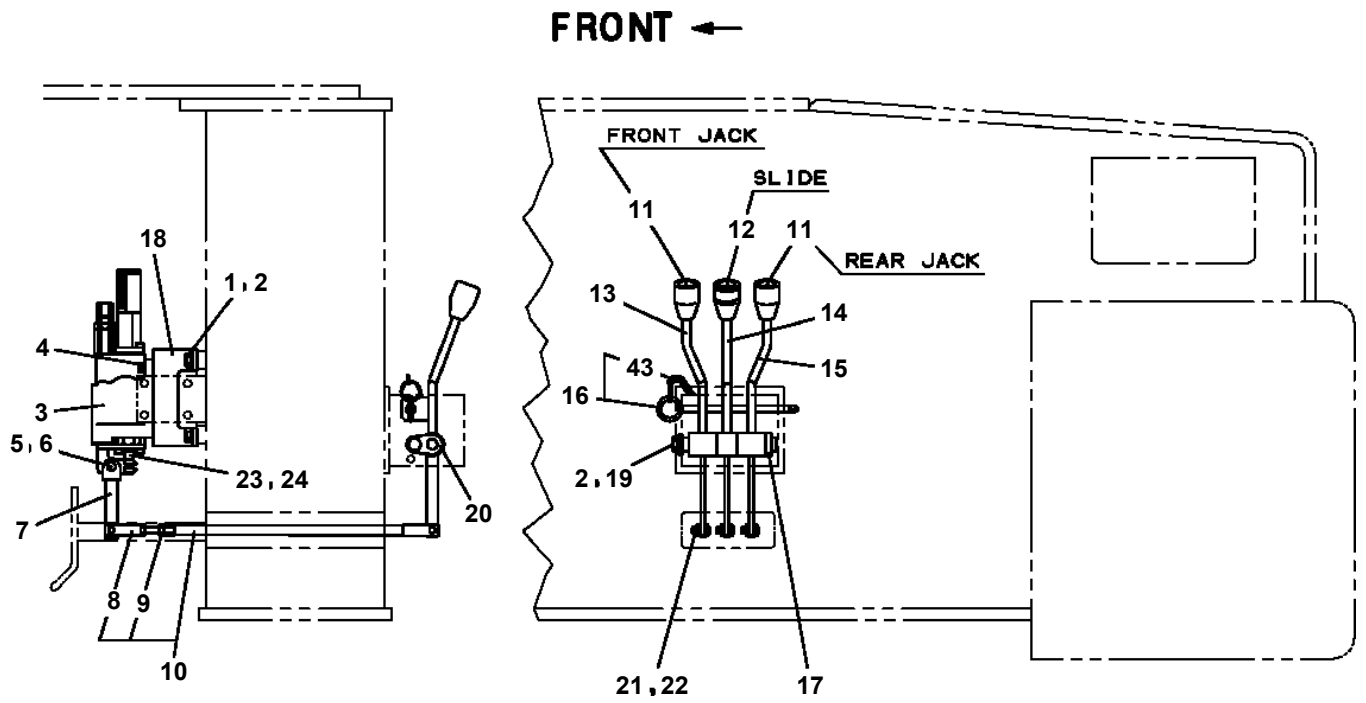
**AW-250-3-80101 3 BOOM, WHEEL TYPE
PB1910237-00 PIPING (INSULATOR/ELEVATING, BASKET SWING)**



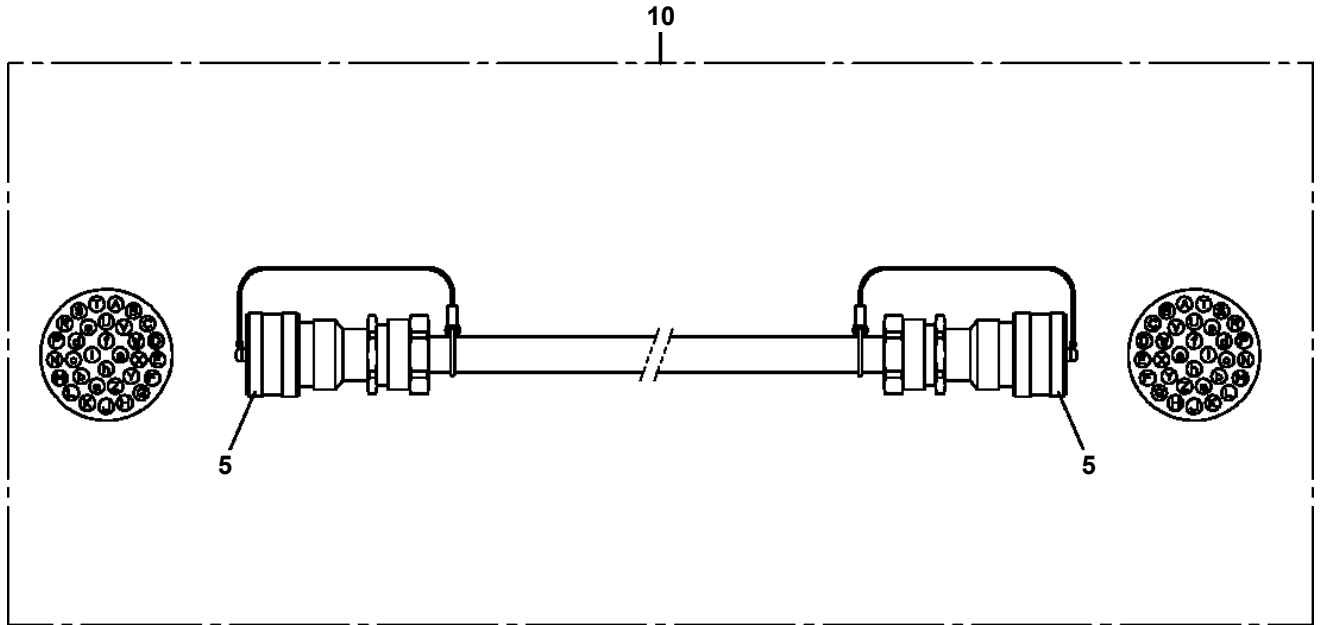
**AW-250-3-80101 3 BOOM,WHEEL TYPE
PC1011611-00 OUTRIGGER (HYDRAULIC)**

指示番号 KEY NO.	アウトリカ* (ユアツシキ) OUTRIGGER (HYDRAULIC)
1	パイピング*,ロワー PIPING,LOWER
2	ハイセンASSY ELEC.ASSY
3	オペ*.ASSY,アウトリカ* OPE.ASSY,OUTRIGGER
4	アウトリカ* OUTRIGGER
5	プレートASSY,ネーム PLATE ASSY,NAME

**AW-250-3-80101 3 BOOM, WHEEL TYPE
PC1100297-00 OPE. ASSY, OUTRIGGER**



**AW-250-3-80101 3 BOOM,WHEEL TYPE
PC5650029-00 CABLE (L=20000)**



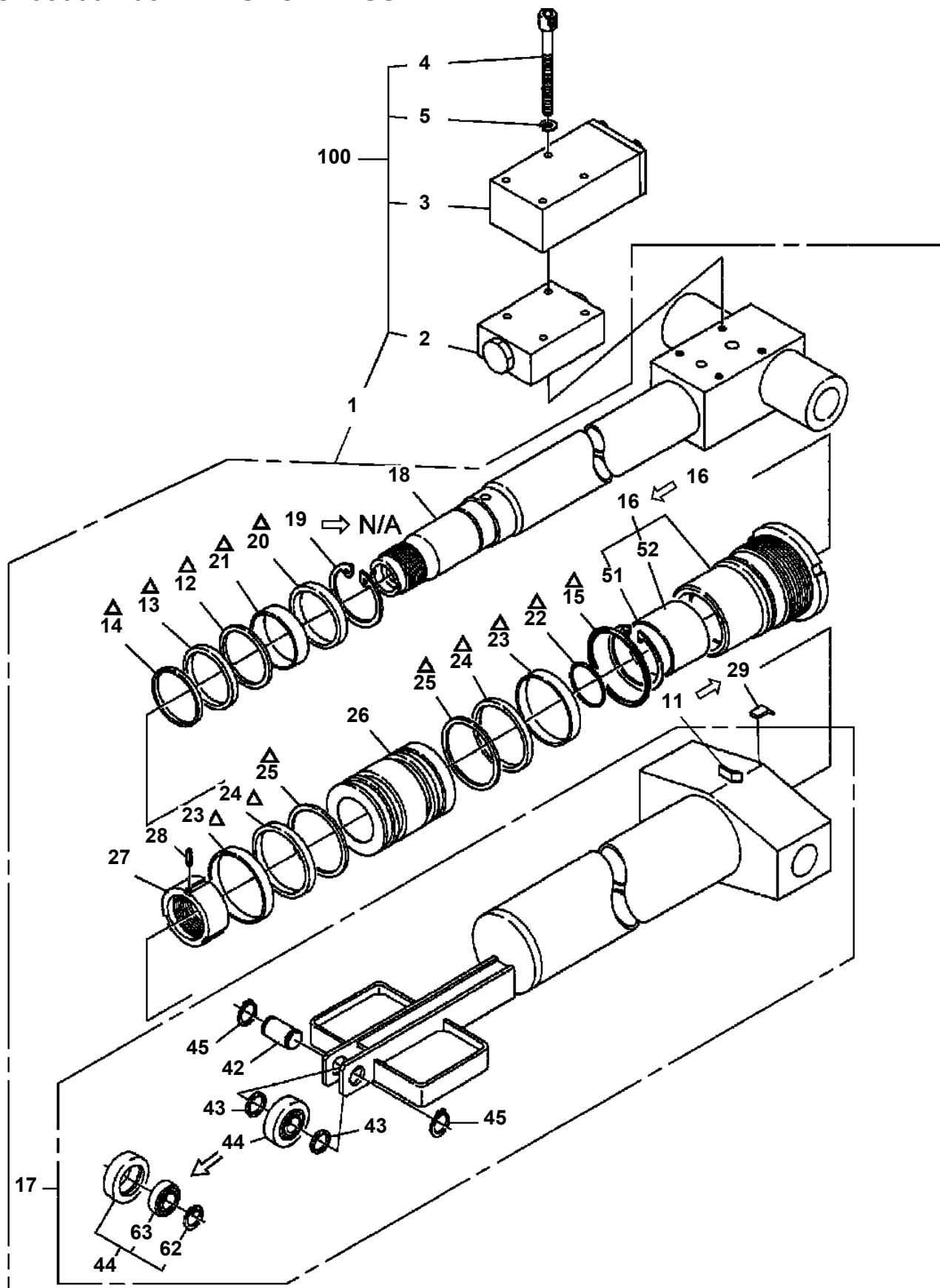
AW-250-3-80101 3 BOOM,WHEEL TYPE

Pos No.	Parts No	Parts Name	Qty	Unit	Technical Data	Serial No (Start)	Serial No (End)	Remark
1	81408000160	PIPE,STEEL	3	M	12X1.4T			
2	81408000160	PIPE,STEEL	3	M	12X1.4T			
3	80320030080	FITTING,ELBOW	2		KLE12-030N			
4	37000714020	CLAMP ASSY	3		12X2			
5	37000511420	PLATE	1					
6	90101208040	BOLT	1		M8X40			
7	37000714100	CLAMP ASSY	1		18X6			
8	90201200800	NUT	3		M8			
9	37002488570	HOSE	2		L=1450			
10	82100001411	TUBE,SPIRAL	7	M	SE-08BK			
11	91810130250	FASTENER	N					
12	37002457080	HOSE	1		L=2150			
13	37002474050	HOSE	1		L=1980			
14	37000714140	CLAMP ASSY	1		18X3			
15	37000300750	SLEEVE	2		18-15			
16	36601260000	VALVE,COUNTERBALANCE	2					
17	42640140020	ORIFICE	2					
18	37000918830	JOINT	2					
23	82100002040	CLAMP	1		WE15			
24	90101208020	BOLT	1		M8X20			
25	90302040801	WASHER,SPRING	1		8			

AW-250-3-80101 3 BOOM,WHEEL TYPE

Pos No.	Parts No	Parts Name	Qty	Unit	Technical Data	Serial No (Start)	Serial No (End)	Remarks
1	36361435050	ELEMENT,FILTER (FUEL)	1					
2	36361435060	ELEMENT (OIL)	1					
3	36361435080	BELT (FAN)	1					
100	36361431000	ENGINE ASSY	1					

**AW-250-3-80101 3 BOOM, WHEEL TYPE
PG1050032-06 TELESCOPE ASSY**



△ : PACKING SET KEY NO. 70 (KEY NO. 12, 13, 14, 15, 20, 21, 22, 23, 24, 25)

△ : PACKING SET KEY NO. 71 (KEY NO. 12, 13, 14, 15, 20, 21, 22, 23, 24, 25)

AW-250-3-80101 3 BOOM,WHEEL TYPE

Pos No.	Parts No	Parts Name	Qty	Unit	Technical Data	Serial No (Start)	Serial No (End)	Remarks	Pages
1	44340451300	JOINT	1						
2	59457138000	PLUG ASSY	2						
3	44340451401	JOINT	1						
4	90101210014	BOLT	8		M10X14		420477		
	90101210014	BOLT	4		M10X14	420478			
5	90302041001	WASHER,SPRING	10		10				
6	37002458310	HOSE	2		L=18170				
7	37002458320	HOSE	2		L=18270				
8	80320020075	FITTING	2		KUF12-020N				
9	80320020080	FITTING	2		KUF12-030N				
10	81408000160	PIPE,STEEL	5	M	12X1.4T				
11	81408000160	PIPE,STEEL	5	M	12X1.4T				
12	44200324250	SUPPORT	1						
13	44341230100	ROLLER ASSY	1						
14	80301010100	FITTING	4		KUA12-000N				
15	81408000160	PIPE,STEEL	4	M	12X1.4T				
16	81408000160	PIPE,STEEL	4	M	12X1.4T				
17	80305010100	FITTING,TEE	2		KTA12-000N				
18	44200324400	SUPPORT	1						
19	44200320500	SUPPORT	1						
20	81408000160	PIPE,STEEL	2	M	12X1.4T				
21	81408000160	PIPE,STEEL	2	M	12X1.4T				
22	81408000160	PIPE,STEEL	2	M	12X1.4T				
23	81408000160	PIPE,STEEL	2	M	12X1.4T				
24	80400160127	JOINT	2						
25	37002443230	HOSE	1		L=1320				
26	80430410450	JOINT	2						
27	37002443240	HOSE	1		L=920				
28	37000714040	CLAMP ASSY	1		18X2				
29	37000300750	SLEEVE	2		18-15				
30	37002443790	HOSE	1		L=690				
31	37002439540	HOSE	1		L=750				
32	82100001411	TUBE, SPIRAL	N		SE-08BK				
33	44341230300	SHEAVE ASSY	1						
34	90203201800	NUT	4		M18				
36	90101208022	BOLT	4		M8X22		420481		
	90171108022	BOLT	4		M8X22	420482			
37	90302040801	WASHER,SPRING	4		8				
38	37000711080	CLAMP ASSY	16		12-2				
42	80320010080	FITTING	2		KUD12-030N				
43	80320010075	FITTING	4		KUD12-020N				
46	91002801100	O-RING	2		1B P11				
47	81408000160	PIPE,STEEL	5	M	12X1.4T				
48	81408000160	PIPE,STEEL	5	M	12X1.4T				
49	81408000160	PIPE,STEEL	5	M	12X1.4T				
50	81408000160	PIPE,STEEL	5	M	12X1.4T				
51	90201201000	NUT	2		M10				
52	37000573430	PLATE	4		T=1				
53	90101210016	BOLT	4		M10X16	420478			
71	44341230200	SUPPORT	1						
72	37000167910	PIN	1						
73	90303100801	WASHER,PLAIN	24		8				
74	44340392420	ROLLER	6						
75	37000308440	SPACER	1		L=20		420457		
82	37000167930	PIN	1						
83	44200290660	SUPPORT	2						
84	37000311410	SPACER	2						

AW-250-3-80101 3 BOOM,WHEEL TYPE

Pos No.	Parts No	Parts Name	Qty	Unit	Technical Data	Serial No (Start)	Serial No (End)	Rema
2	36190191060	BOARD,CIRCUIT	1					
3	36190191071	BOARD ASSY	1					
4	36190181040	BOARD,CIRCUIT	1					
5	36190185050	BOX	1					
6	36190185060	PANEL ASSY	1					
7	36190185070	FITTING (SET)	1					
8	36190185080	COVER (SET)	1					
9	36190185090	STAY SET	1					
10	36190185100	FRAME ASSY	1					
11	36190185112	HARNESS ASSY	1					
12	36190185121	HARNESS ASSY	1					
13	36190185130	HARNESS ASSY	1					
14	36190185140	HARNESS ASSY	1					
16	36190185150	SEAT	1					
17	36190185160	HARNESS	1					
18	36190185170	HARNESS	1					
19	36190185180	HARNESS	1					
31	36194955010	BOARD,CPU (WITH DATA)	1					
100	36194950000	MOTION CONTROLLER (AMC)	1					

AW-250-3-80101 3 BOOM,WHEEL TYPE

Pos No.	Parts No	Parts Name	Qty	Unit	Technical Data	Serial No (Start)	Serial No (End)	Remarks	Pages
1	37002710750	HARNESS	1		L=750				

AW-250-3-80101 3 BOOM,WHEEL TYPE

Pos No.	Parts No	Parts Name	Qty	Unit	Technical Data	Serial No (Start)	Serial No (End)	Remarks	Pages
100	44472770100	HARNESS	1						

AW-250-3-80101 3 BOOM,WHEEL TYPE

Pos No.	Parts No	Parts Name	Qty	Unit	Technical Data	Serial No (Start)	Serial No (End)	Remarks	Pages
100	44473020200	HARNESS	1						

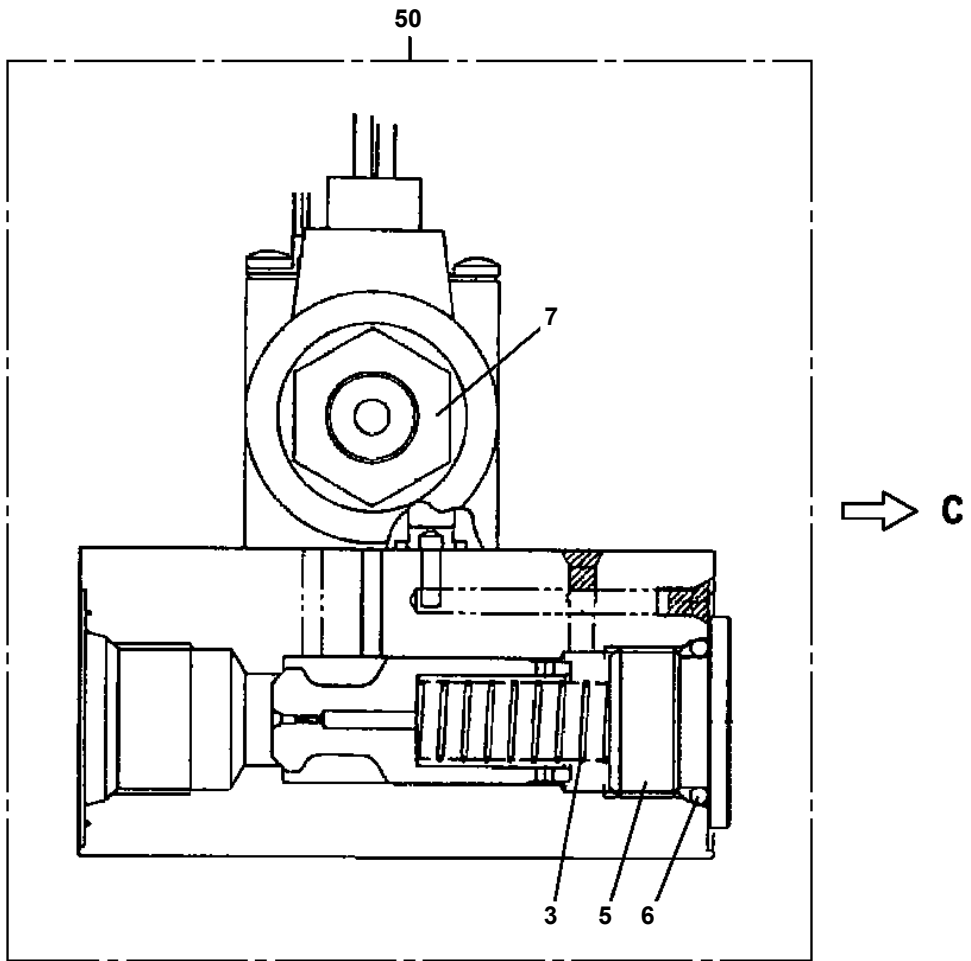
AW-250-3-80101 3 BOOM,WHEEL TYPE

Pos No.	Parts No	Parts Name	Qty	Unit	Technical Data	Serial No (Start)	Serial No (End)	Remarks	Pages
100	44472082100	HARNESS	1						

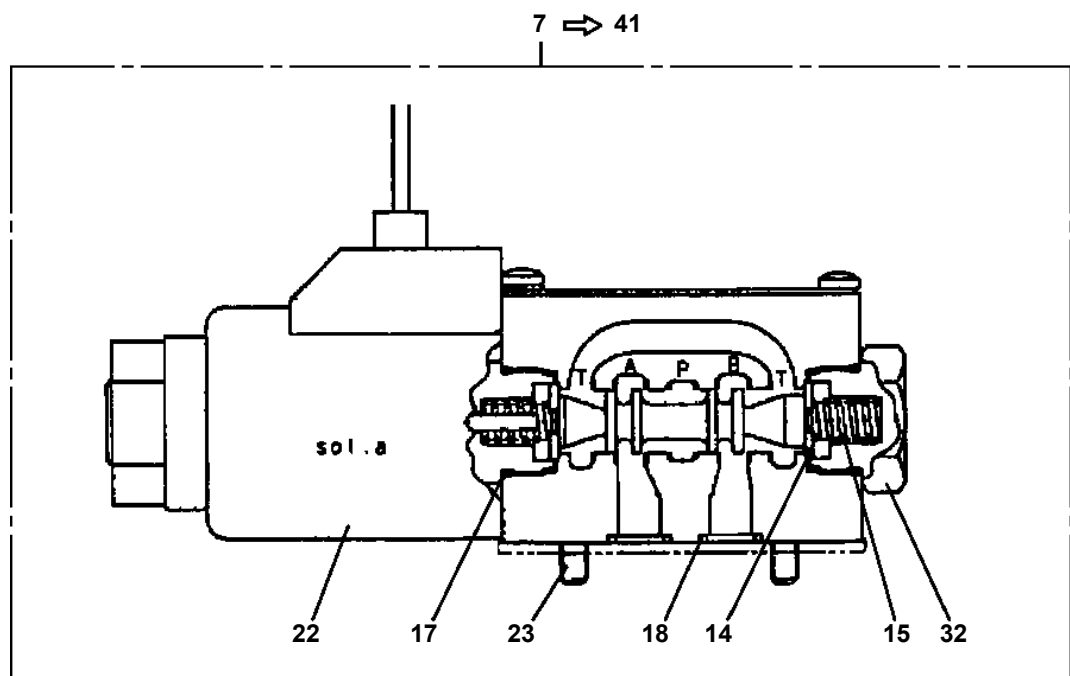
AW-250-3-80101 3 BOOM,WHEEL TYPE

Pos No.	Parts No	Parts Name	Qty	Unit	Technical Data	Serial No (Start)	Serial No (End)	Remarks	Pages
3	16025153030	SPRING	1						
4	91000501500	O-RING	1		AS568-015				
5	91002802200	O-RING	1		1B P22				
6	91002801001	O-RING	1		1B P10A				
10	16025153020	SPRING	1						
14	91001001600	O-RING	2		1A S16				
30	36604750000	VALVE,RELIEF	1						

**AW-250-3-80101 3 BOOM,WHEEL TYPE
PI1120353-00 VALVE,SOLENOID**



A



B

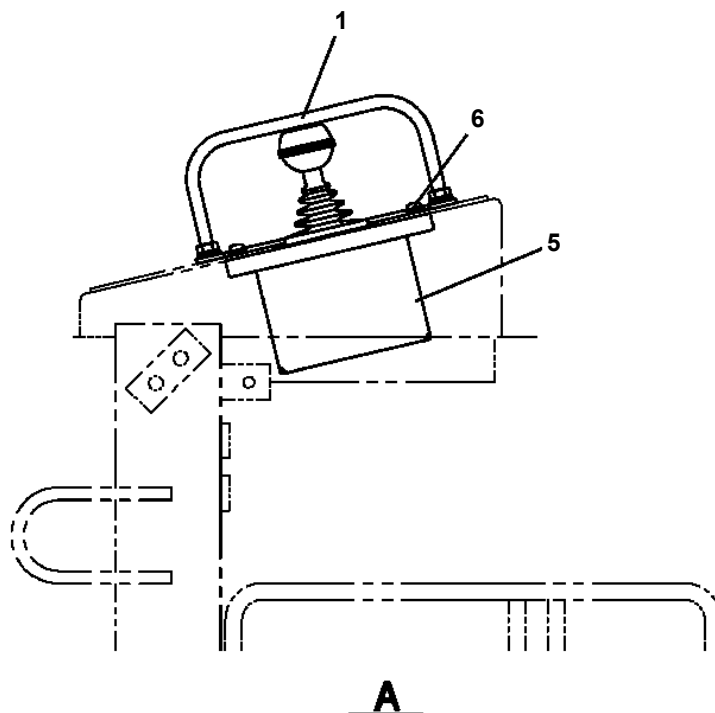
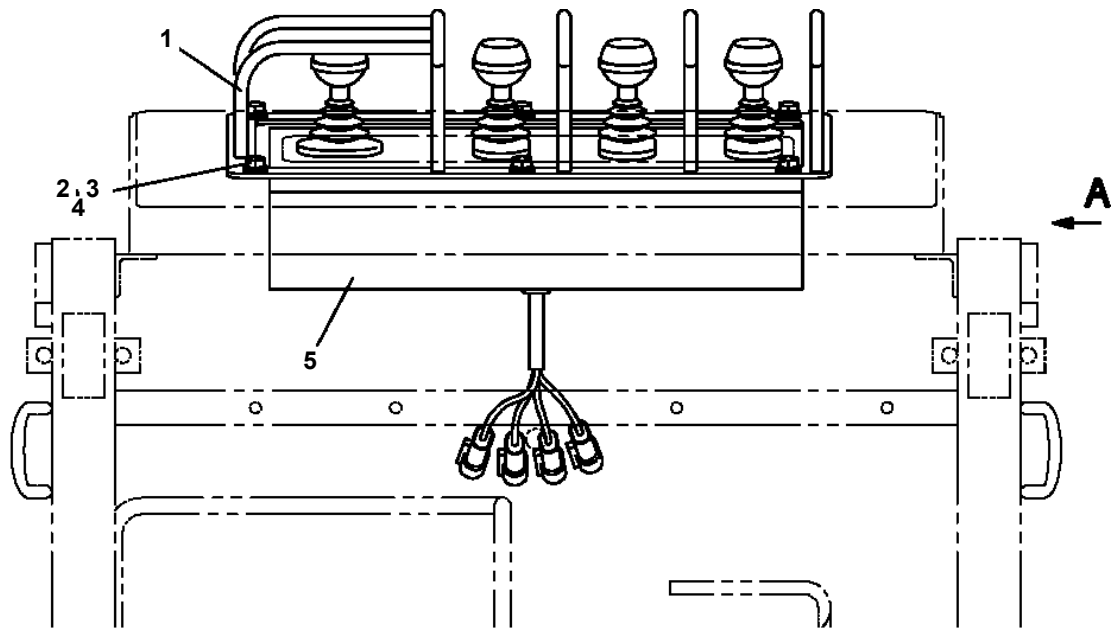
AW-250-3-80101 3 BOOM,WHEEL TYPE

Pos No.	Parts No	Parts Name	Qty	Unit	Technical Data	Serial No (Start)	Serial No (End)	Remark
1	90131708014	BOLT,HEXAGON SOCKET	8		M8X14			
2	36600160010	COVER	1					
3	91002803800	O-RING	1		1B P38			
4	37001200660	SPRING	1					
6	36601260020	NUT,CAP	1					
8	91002802000	O-RING	3		1B P20			
9	36600070081	COVER	1					
10	36601250040	PLUG	1					
11	36600070070	SPRING	1					
12	36601260040	VALVE,CHECK	1					
13	91002801400	O-RING	1		1B P14			
14	36601260050	JOINT	1					
15	80316090020	PLUG	1		KKT PT1/8			
20	36601260000	VALVE,COUNTERBALANCE	1					

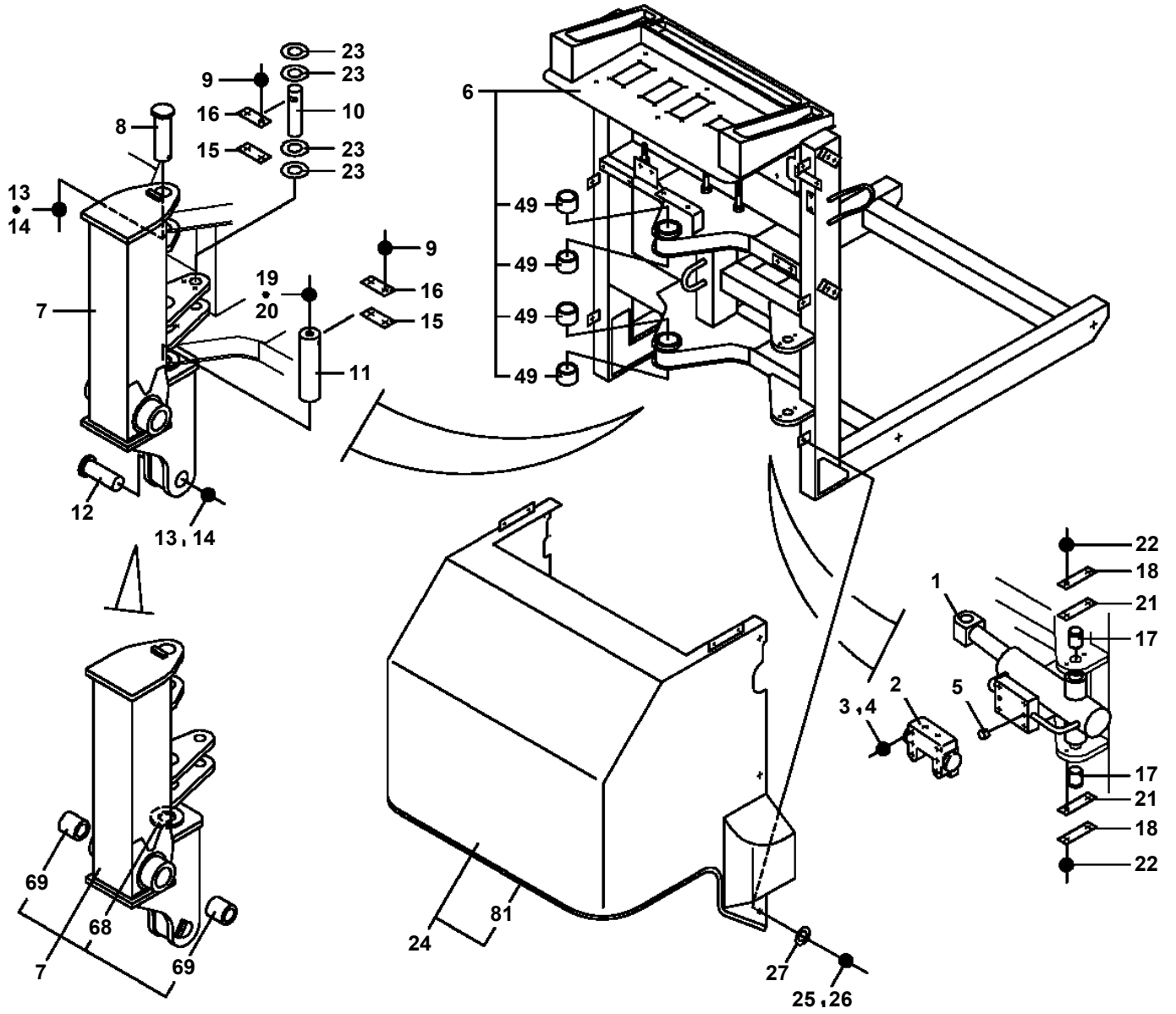
AW-250-3-80101 3 BOOM,WHEEL TYPE

Pos No.	Parts No	Parts Name	Qty	Unit	Technical Data	Serial No (Start)	Serial No (End)	Remarks	Pages
1	44471460100	PLATE,NAME	4						
2	90101210022	BOLT	4		M10X22				
3	44471460200	INDICATOR	4						
4	90201201000	NUT	4		M10				
5	90203201000	NUT	4		M10				
21	37000401920	BEARING,PLAIN	4						

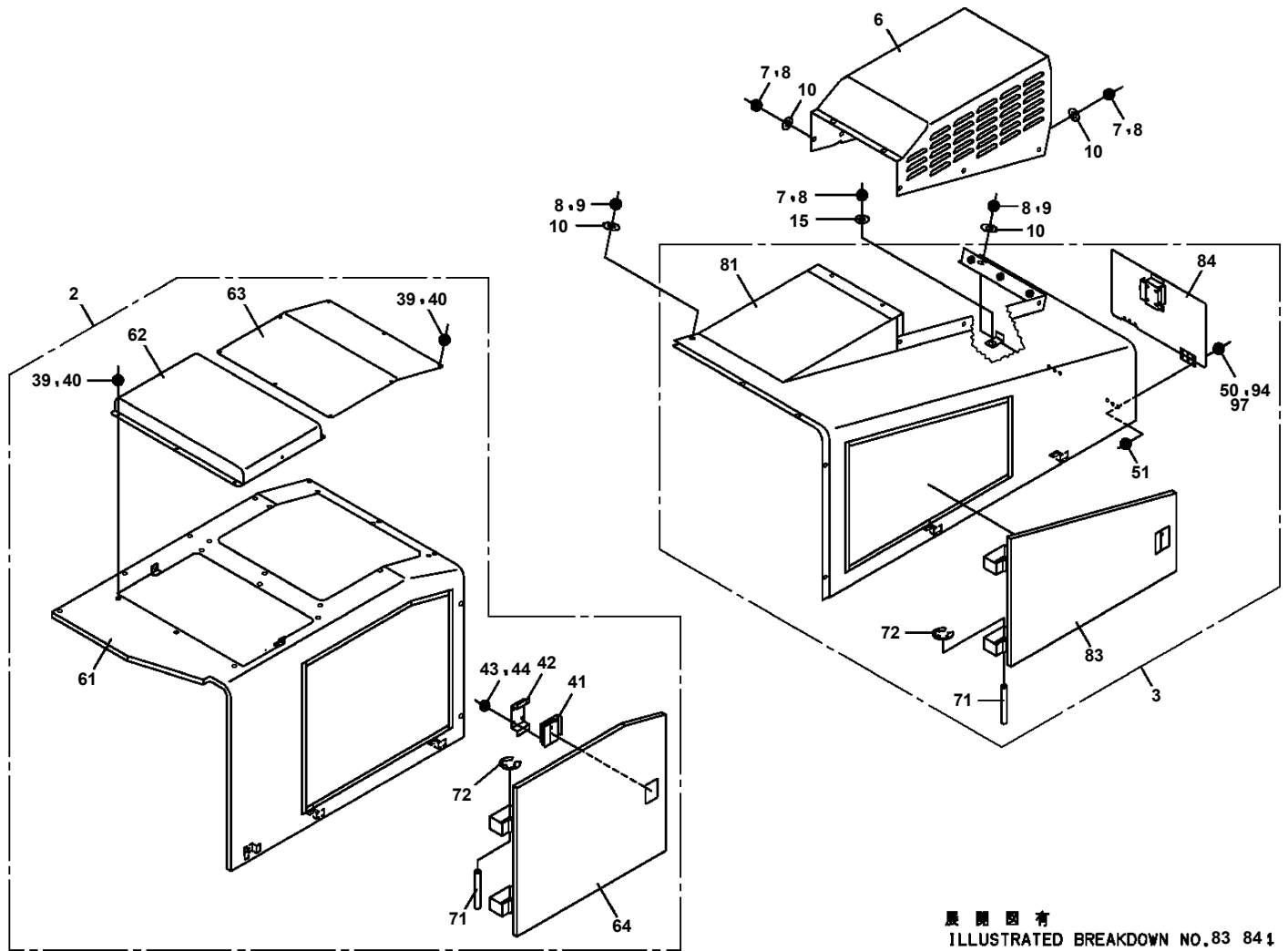
**AW-250-3-80101 3 BOOM, WHEEL TYPE
PJ3040044-00 OPE. ASSY (YUTAKA/ELEVATING CONT. REVERSE)**



**AW-250-3-80101 3 BOOM, WHEEL TYPE
PK1010926-01 FRAME (ACTUATED WITH CYLINDER)**



**AW-250-3-80101 3 BOOM,WHEEL TYPE
PK1200477-01 COVER,SWING FRAME**



AW-250-3-80101 3 BOOM,WHEEL TYPE

Pos No.	Parts No	Parts Name	Qty	Unit	Technical Data	Serial No (Start)	Serial No (End)	Remarks
1	44330657510	PANEL	1					
2	44330657520	BOX	1					
3	44330707510	JOY STICK,CONTROLLER	4					
4	42331247630	GROMMET	1					
5	82114101060	CONNECTOR	4					
6	82121102060	HOLDER	4					
7	82111101018	TERMINAL	20					
8	42477587550	PLUG (WATER PROOF)	20					
9	82121101009	PLUG (GREEN)	4					
100	44330701000	LEVER,CONTROL	1					

CLICK HERE TO **DOWNLOAD** THE COMPLETE MANUAL

- Thank you very much for reading the preview of the manual.
- You can download the complete manual from: www.heydownloads.com by clicking the link below



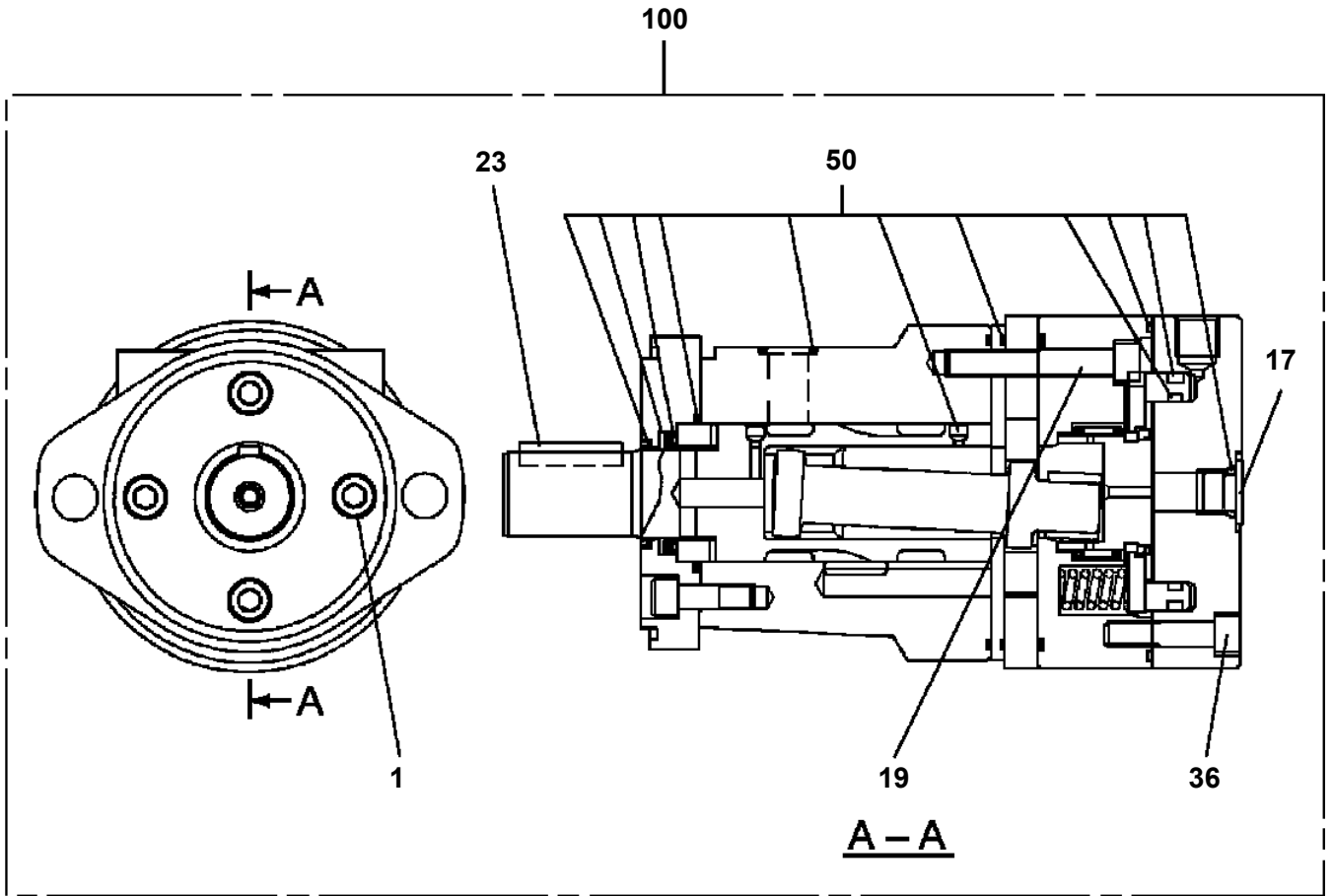
- Please note: If there is no response to CLICKING the link, please download this PDF first and then click on it.

CLICK HERE TO **DOWNLOAD** THE COMPLETE MANUAL

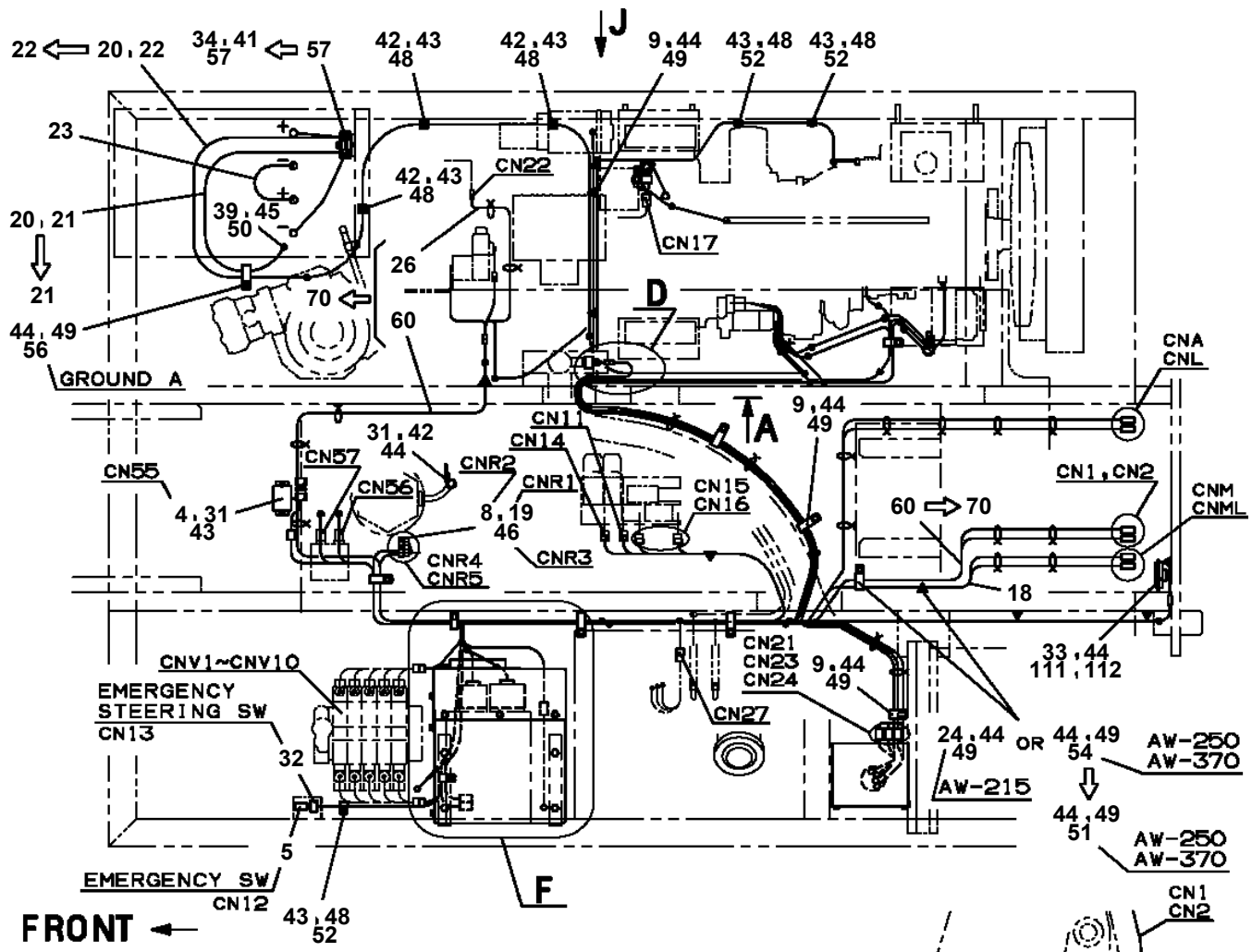
AW-250-3-80101 3 BOOM,WHEEL TYPE

Pos No.	Parts No	Parts Name	Qty	Unit	Technical Data	Serial No (Start)	Serial No
1	42474530100	LAMP ASSY	1				
2	90813108016	BOLT,WING	2		M8X16		
3	42432900200	SUPPORT	1				
4	90101206012	BOLT	3		M6X12		
5	90302040601	WASHER,SPRING	3		6		
6	82100002004	CLAMP	3		WR8		
7	90171108018	BOLT	2		M8X18		
8	90302040801	WASHER,SPRING	6		8		
9	44472210100	LAMP ASSY	1				
10	44472210201	SUPPORT	1				
11	44472210300	HARNESS	1				
12	90162150250	U-BOLT	2		M8X25A		
13	90201200800	NUT	4		M8		
14	90201200600	NUT	1		M6		
31	82165904020	LAMP	2		24V 60W		
32	90101212020	BOLT	3		M12X20		
33	90302041201	WASHER,SPRING	3		12		
34	37000159530	PIN	2				
35	80620210160	PIN,SNAP	2				
46	44472210110	PLATE	1				
47	90201201200	NUT	1		M12		
51	82100000054	BULB,LAMP	2		24V 60W		
59	82100002838	SWITCH ASSY (WITH HARNESS,TERMINAL)	2				

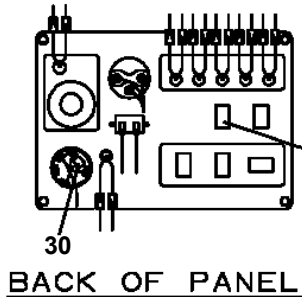
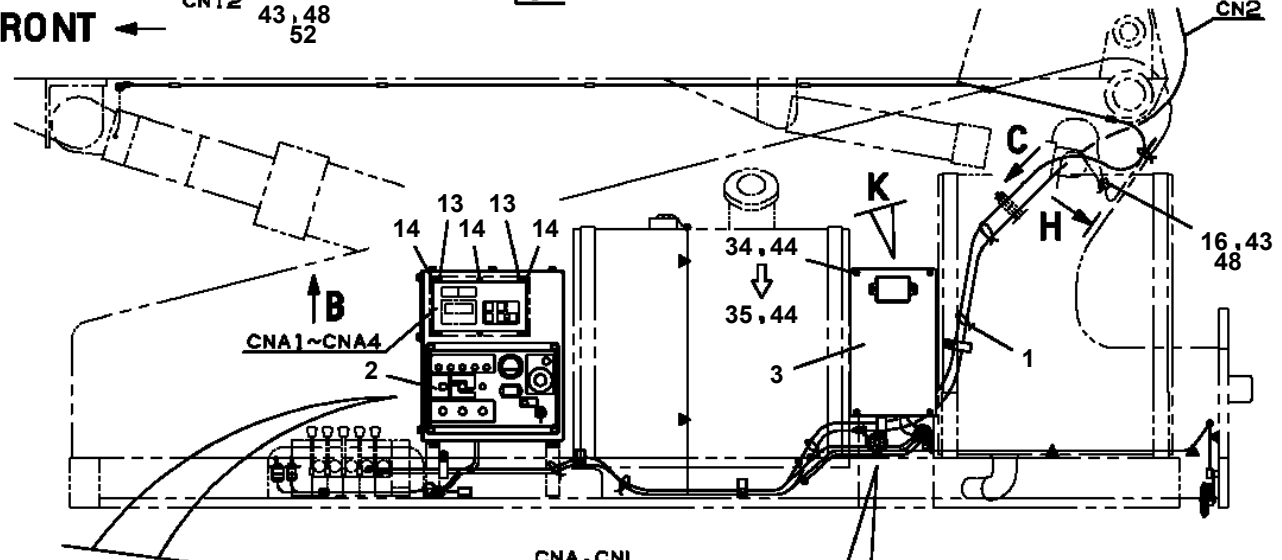
AW-250-3-80101 3 BOOM,WHEEL TYPE
PM5210019-00 MOTOR ASSY,OIL



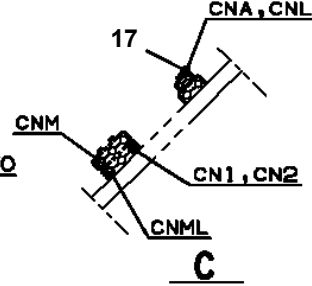
**AW-250-3-80101 3 BOOM, WHEEL TYPE
PN1015061-04 ELEC. ASSY (SWING FRAME)**



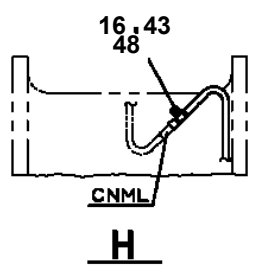
FRONT ←



BACK OF PANEL

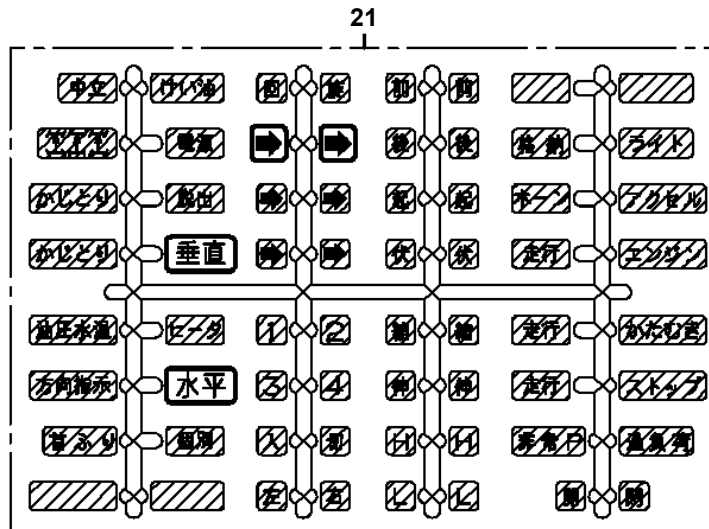
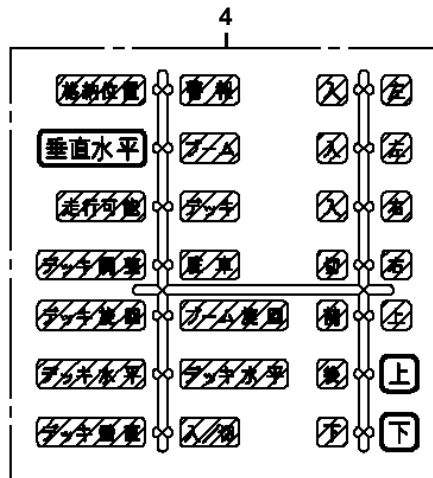
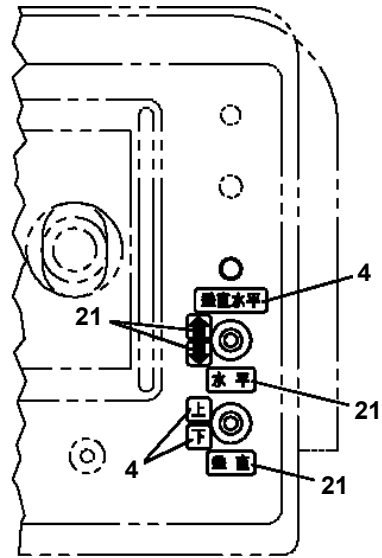
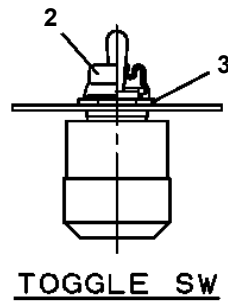


BUZZER

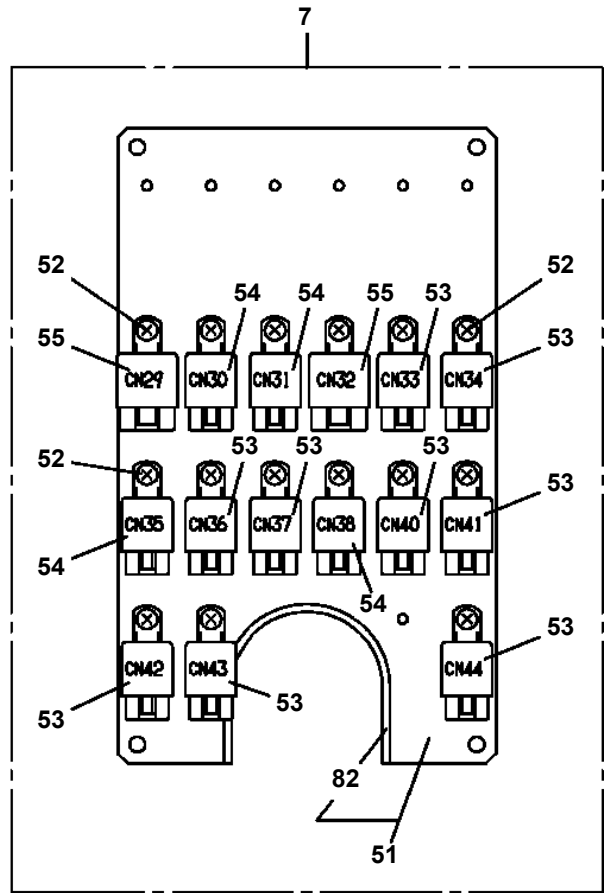
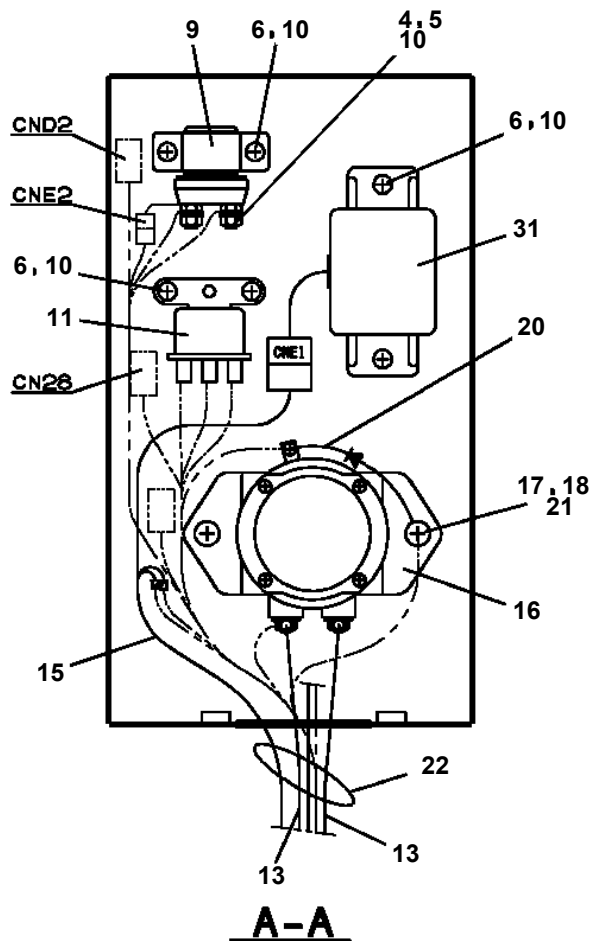
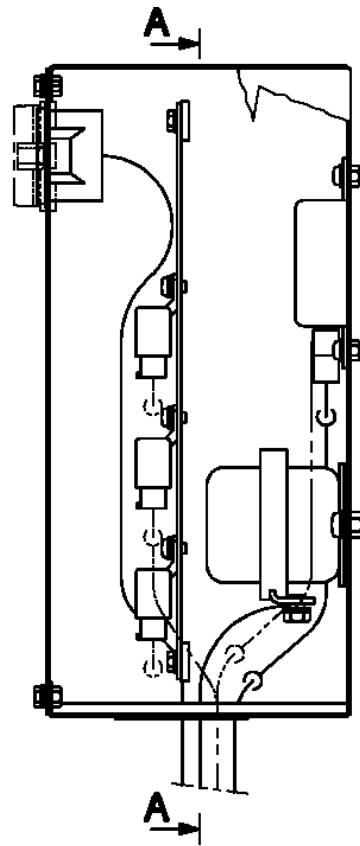
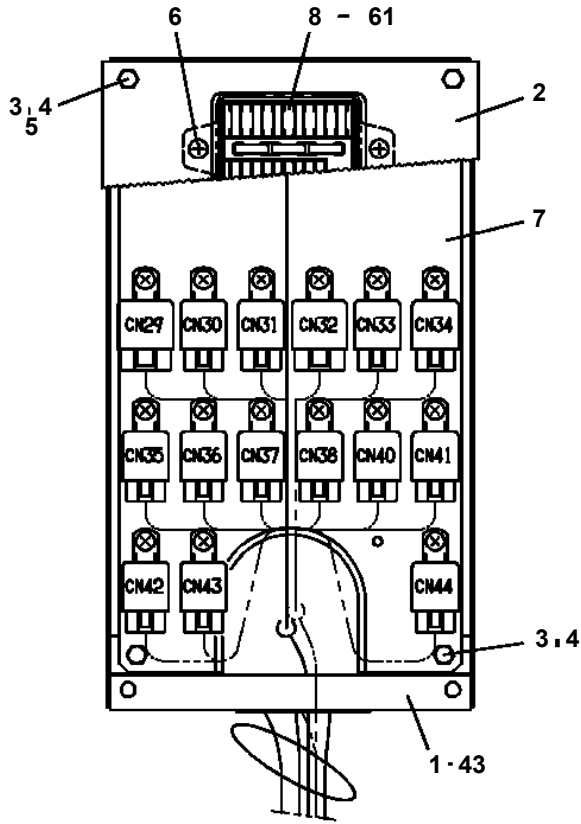


H

**AW-250-3-80101 3 BOOM, WHEEL TYPE
PN1015064-01 ELEC. ASSY (SWITCH CONTROL)**

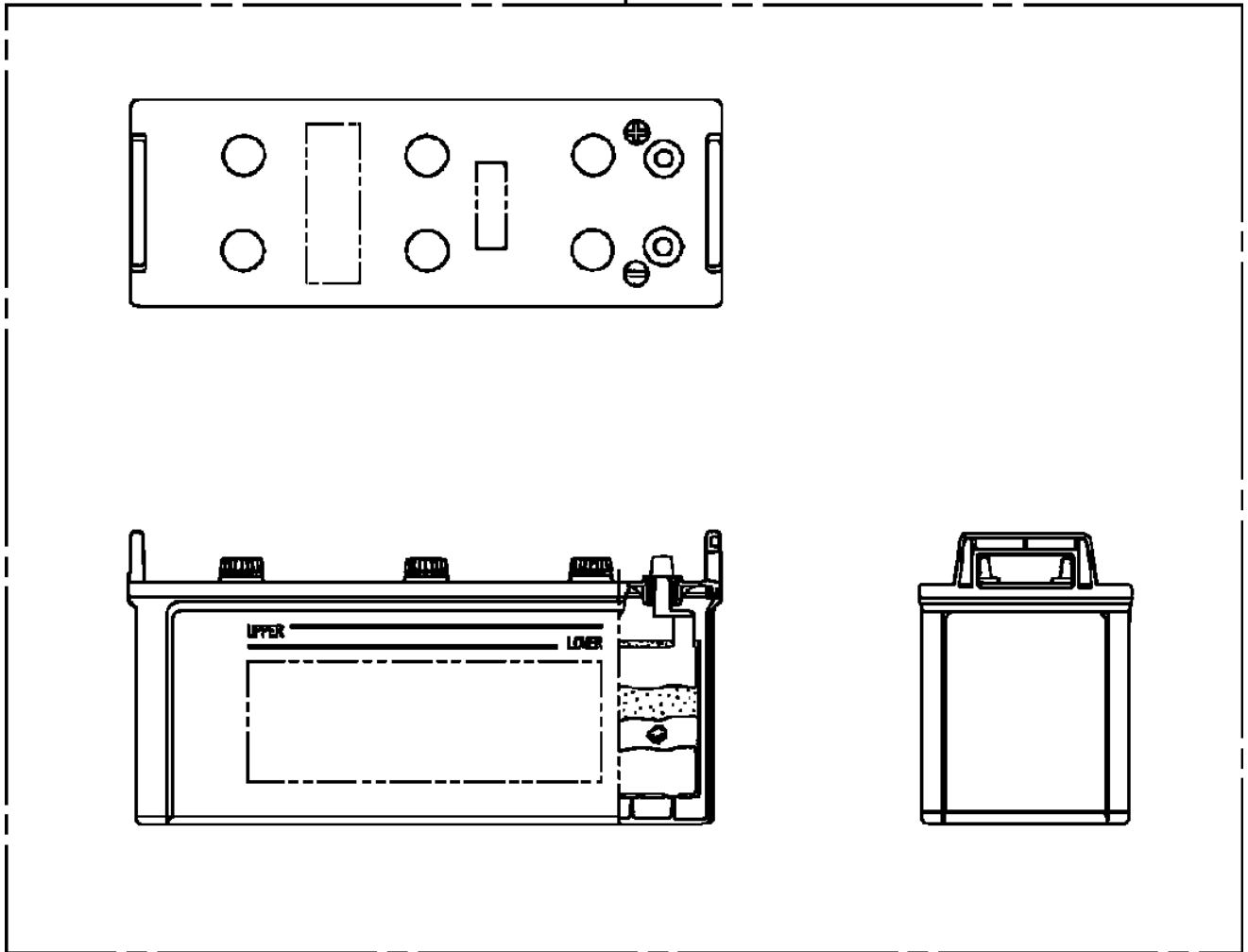


**AW-250-3-80101 3 BOOM, WHEEL TYPE
PN1100093-01 RELAY BOX**

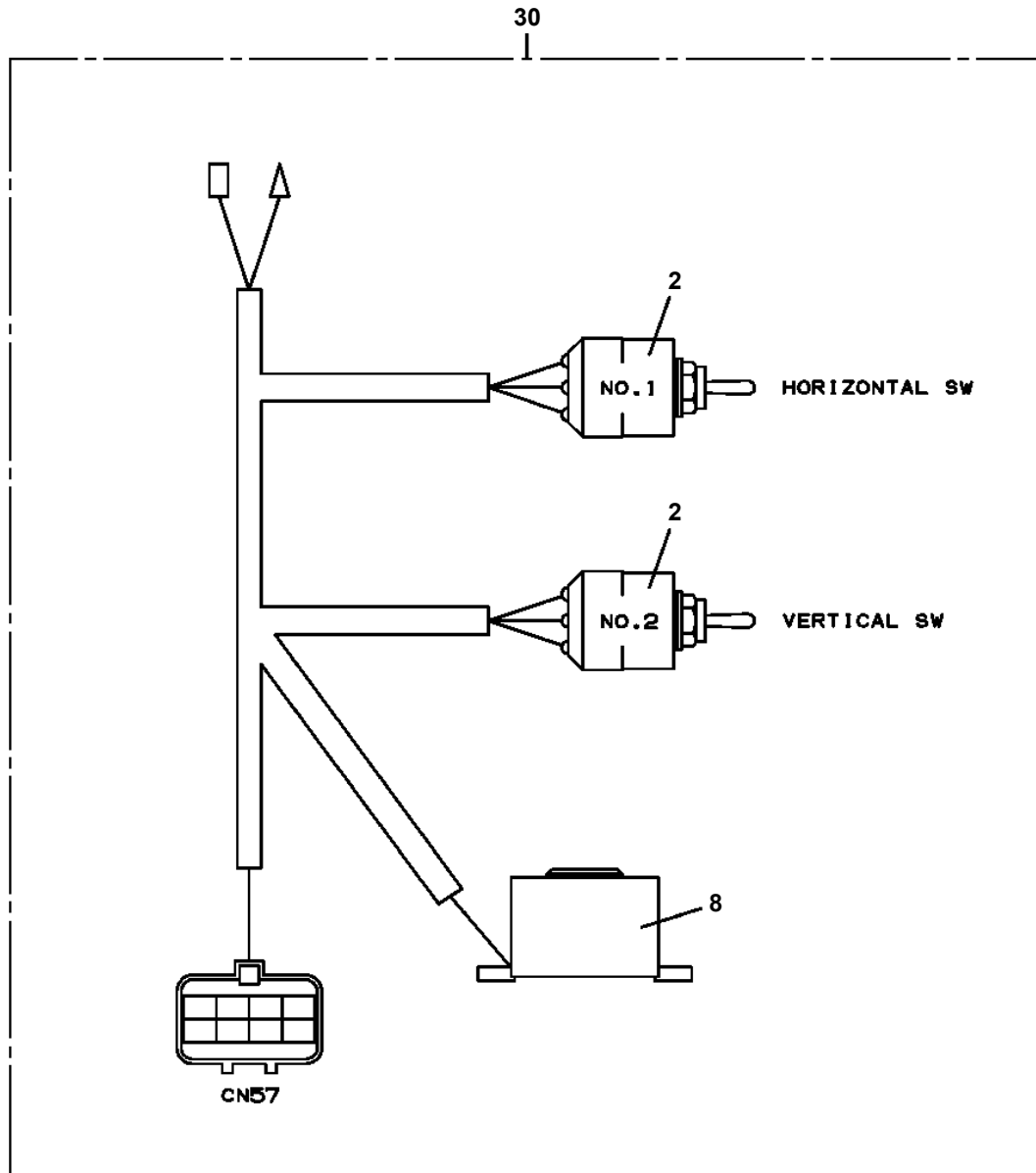


**AW-250-3-80101 3 BOOM,WHEEL TYPE
PN1370125-00 BATTERY (GLOBAL & YUASA,130F51)**

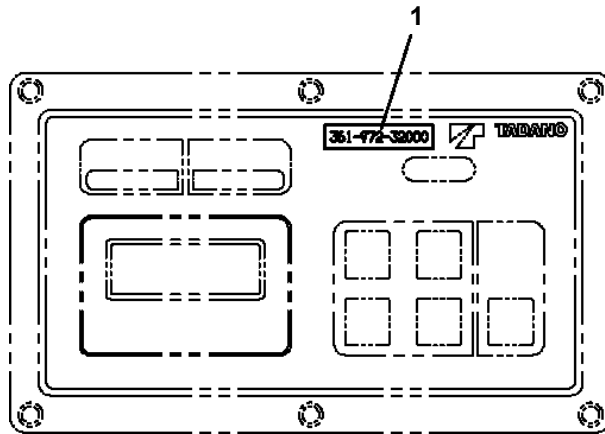
1



**AW-250-3-80101 3 BOOM,WHEEL TYPE
PN1450165-00 HARNESS**



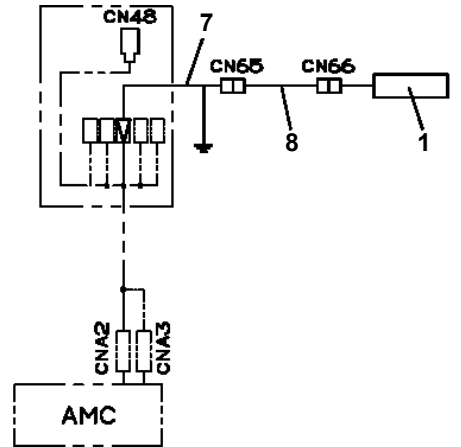
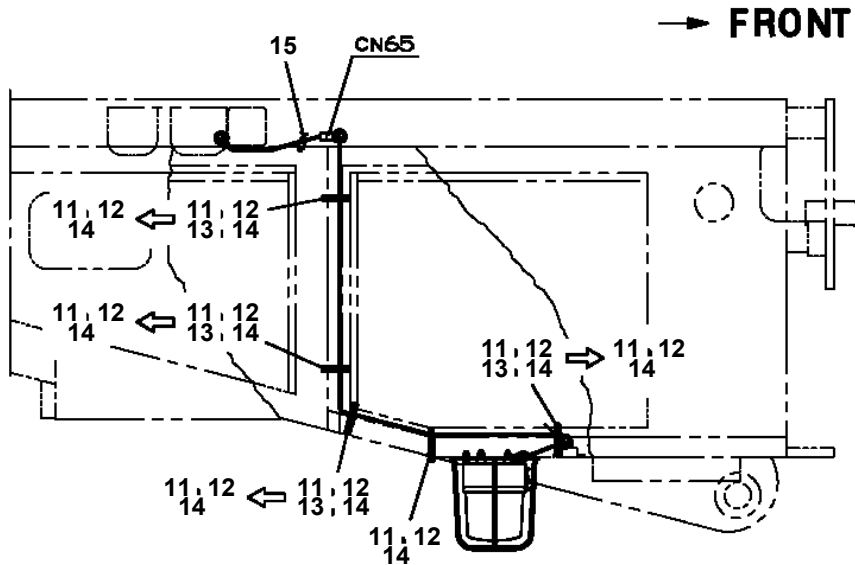
**AW-250-3-80101 3 BOOM,WHEEL TYPE
PN5010748-00 NAME PLATE ASSY (AMC DATA PARTS NO.)**



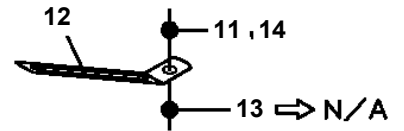
AW-250-3-80101 3 BOOM,WHEEL TYPE

Pos No.	Parts No	Parts Name	Qty	Unit	Technical Data	Serial No (Start)	Serial No (End)	Remarks	Page
1	44390890010	PLATE,NAME	1						
2	37002203530	PLATE,NAME (JACK)	1						
3	37002203540	PLATE,NAME	1						
4	37002203550	PLATE,NAME (JACK)	1						

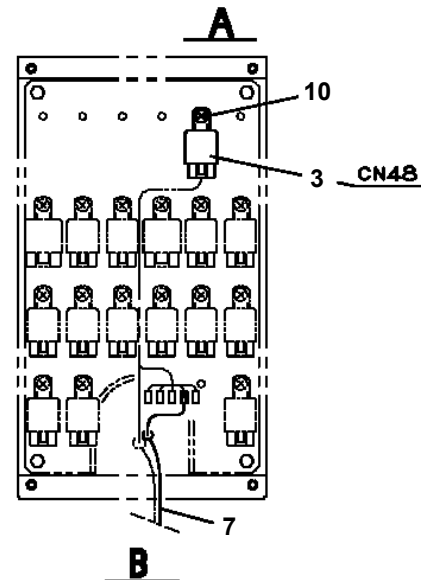
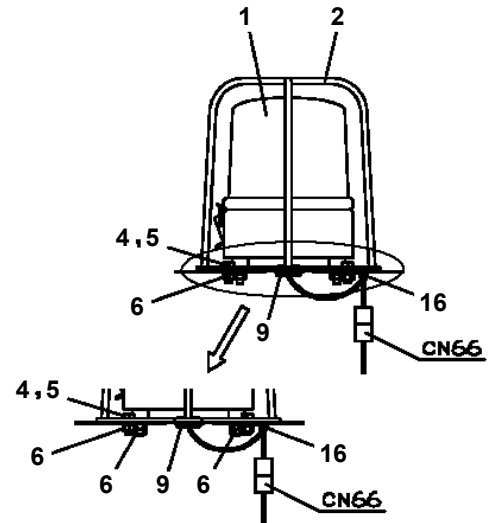
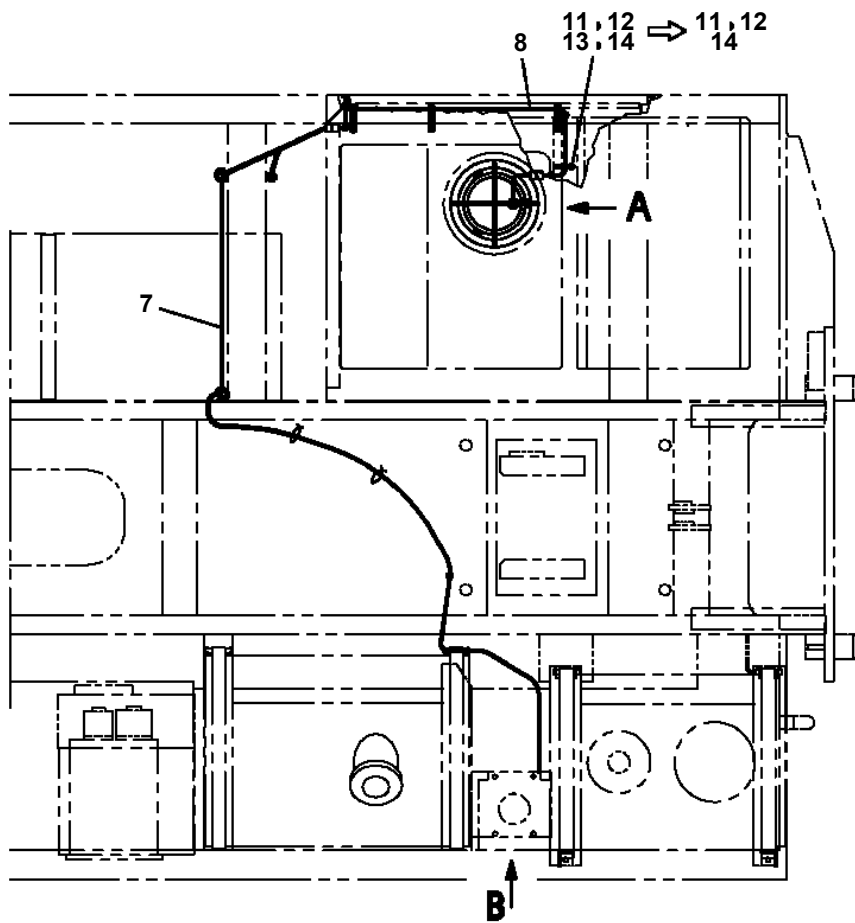
**AW-250-3-80101 3 BOOM, WHEEL TYPE
PP5100005-02 PARTS ASSY, ELECTRICITY (REVOLVING LAMP/YELLOW)**



DETAIL OF WIRING



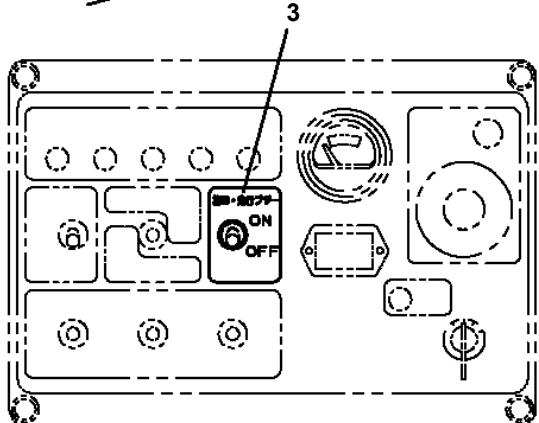
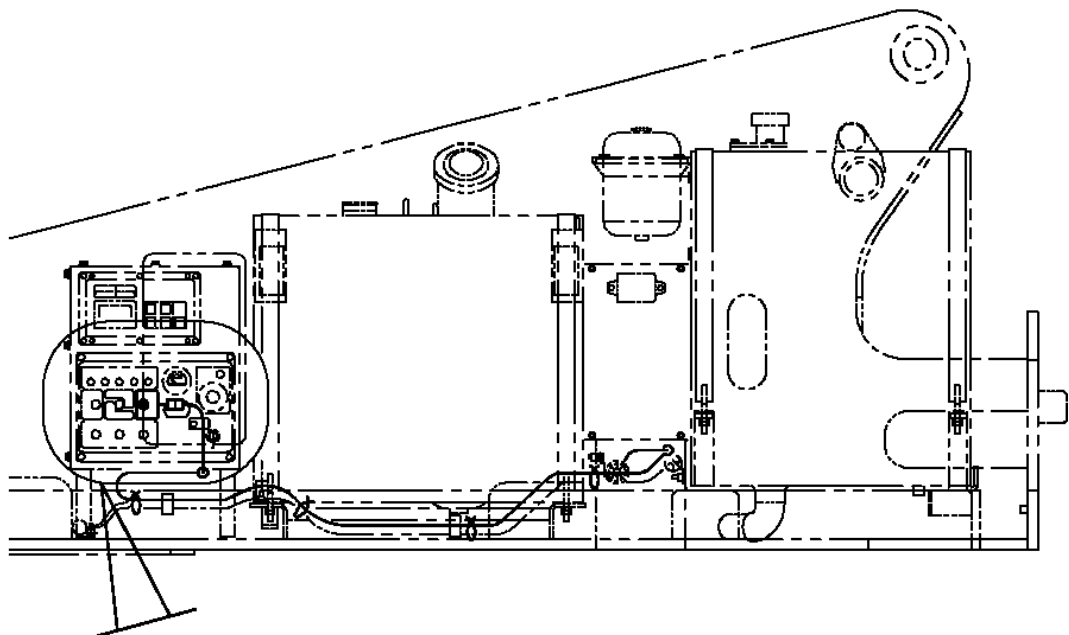
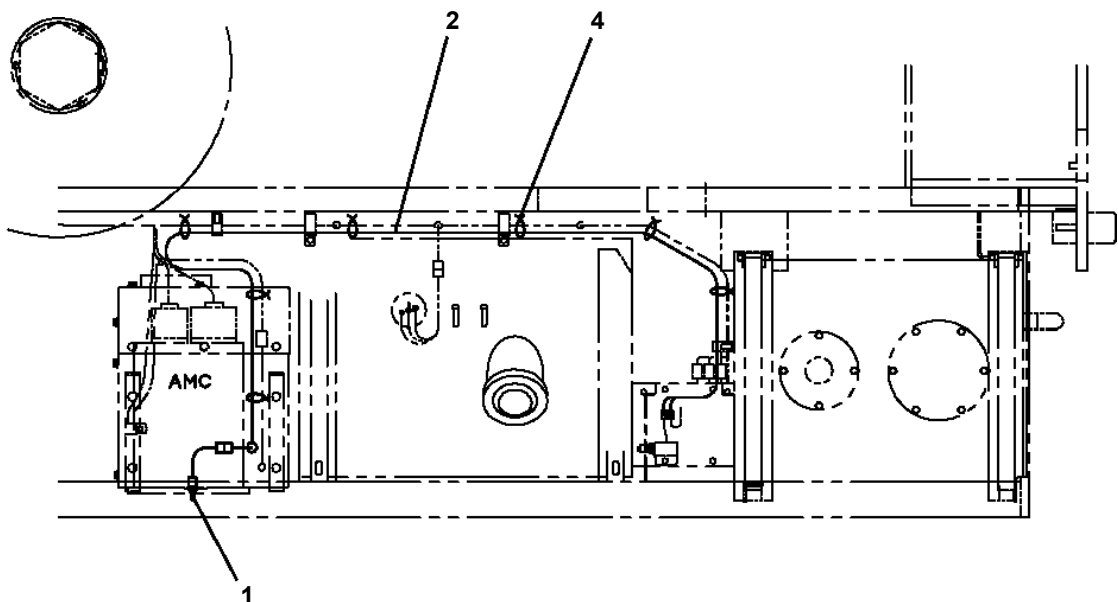
DETAIL OF CLAMP INSTALLATION



AW-250-3-80101 3 BOOM,WHEEL TYPE

Pos No.	Parts No	Parts Name	Qty	Unit	Technical Data	Serial No (Start)	Serial No (End)	Remarks	Page
1	82165500010	LAMP	1						
2	44470990200	COVER	1						
3	82100002596	RELAY	1						
4	90101208016	BOLT	4		M8X16				
5	90302040801	WASHER,SPRING	4		8				
6	90201200800	NUT	4		M8				
7	44472860100	HARNESS	1		L=3860				
8	44472860200	HARNESS	1		L=2460				
9	82400000074	GROMMET	1						
10	80192486012	SCREW,MACHINE	1		M6X12				
11	90302040601	WASHER,SPRING	7		6		420453		
	90302040601	WASHER,SPRING	8		6	420454			
12	82100002052	CLAMP	8			420454			
	82100002052	CLAMP	7				420453		
13	90101206008	BOLT	7		M6X8		420453		
14	90201200600	NUT	8		M6	420454			
	90201200600	NUT	7		M6		420453		
15	91810130240	FASTENER	N						
16	44430691102	SWITCH ASSY	1						
17	82199514013	CAP	1						
18	44390611011	NAME PLATE ASSY	1						
19	90301011601	WASHER	2				420453		
20	82199504017	NUT	1		AT-401N				
21	90303071601	WASHER,PLAIN	3		16	420454			
22	42391861100	PLATE,NAME	1						
41	34460747120	BULB,LAMP	1		24V 70W				

**AW-250-3-80101 3 BOOM,WHEEL TYPE
PP5100043-00 PARTS ASSY,ELECTRICITY (TRAVEL SWING BUZZER/MITSUBISHI)**

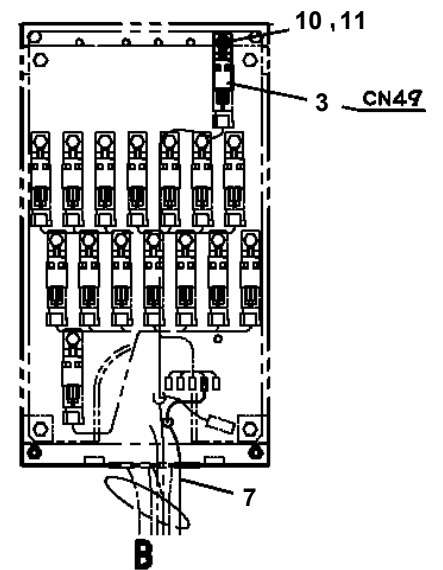
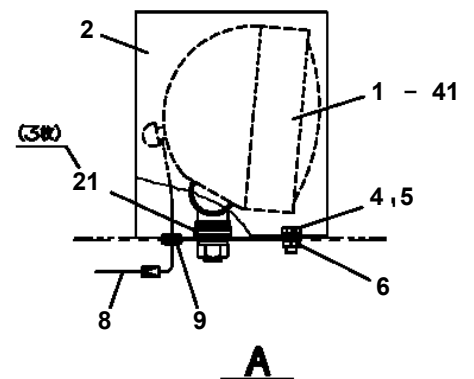
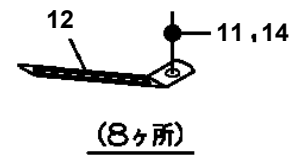
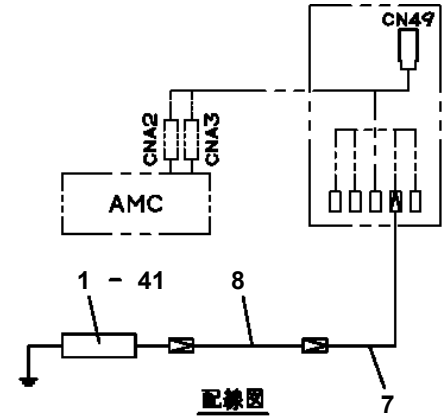
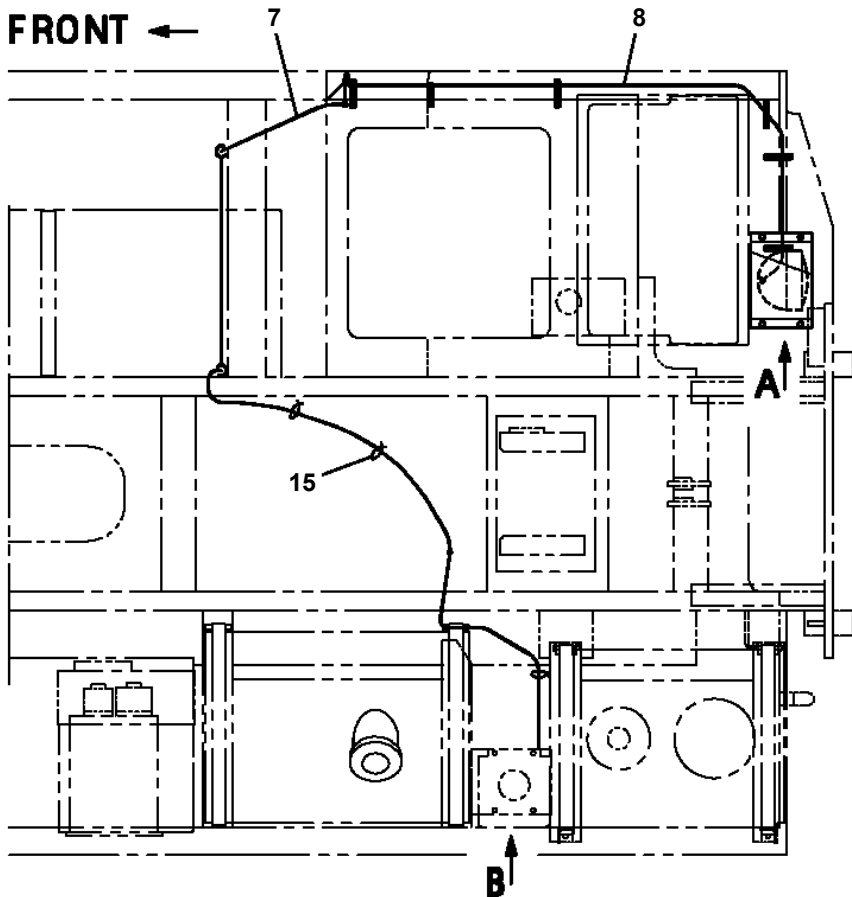
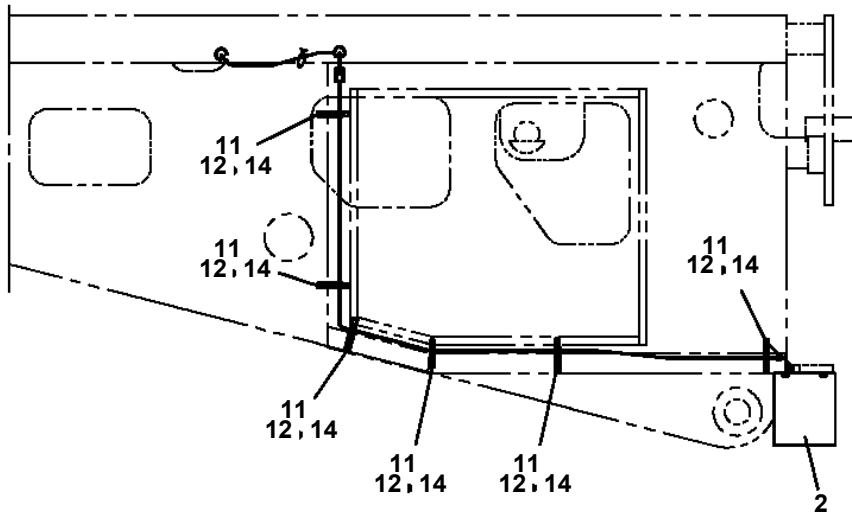


下部操作パネル部

AW-250-3-80101 3 BOOM,WHEEL TYPE

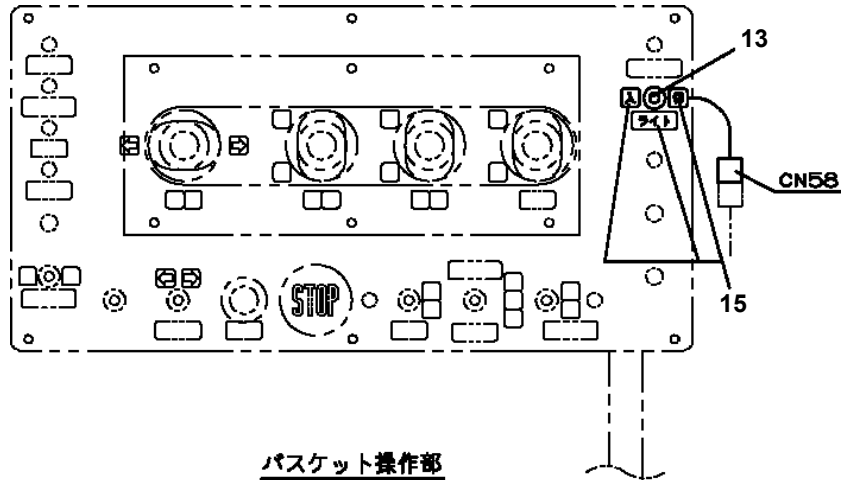
Pos No.	Parts No	Parts Name	Qty	Unit	Technical Data	Serial No (Start)	Serial No (End)	Remarks	Page
1	82100002008	CLAMP	4		WR12				
2	90302040601	WASHER,SPRING	4		6				
3	90201200600	NUT	4		M6				
4	44473060100	HARNES	1						
5	44320491010	LAMP ASSY (RED)	2						
6	44471630300	SWITCH ASSY	2						
7	82100001802	TUBE,CORRUGATE	1	M	10				
8	44472000010	CAP	2						
9	44472000020	PLATE	2						
10	44350832010	PLATE	2						
11	80172803012	SCREW,MACHINE	8		M3X12				
12	44472351000	BOX ASSY	2						
13	91810130230	FASTENER	20						
14	90155306015	BOLT,WELD	2		M6X15				
15	44471630020	PLATE,NAME	2						
31	82100002308	COVER	2						
41	44472351100	BOX	2						
42	44472351200	COVER	2						
43	90101208014	BOLT	8		M8X14				
44	90302040801	WASHER,SPRING	8		8				

**AW-250-3-80101 3 BOOM, WHEEL TYPE
PP5100135-00 PARTS ASSY, ELECTRICITY (HEAD LIGHT/SWING TABLE)**

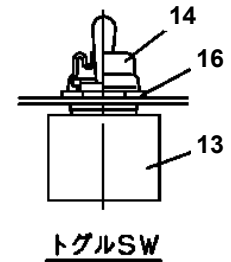


リレーボックス内

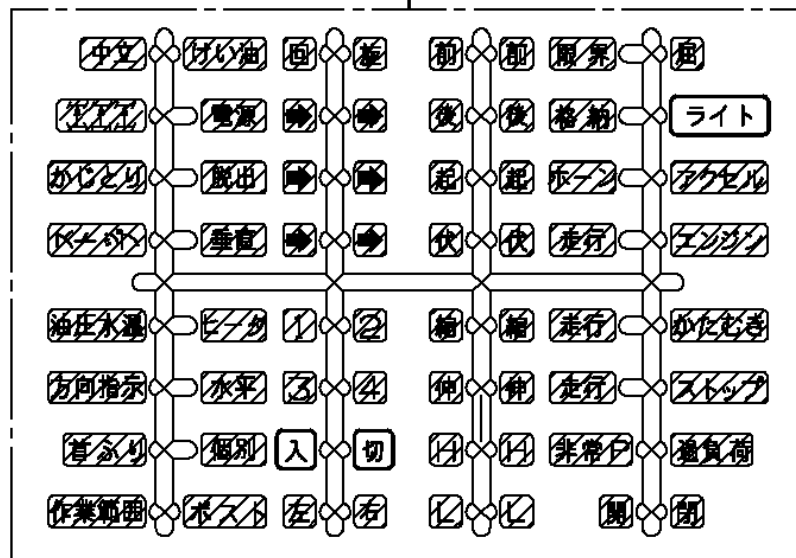
AW-250-3-80101 3 BOOM, WHEEL TYPE
 PP5100140-00 PARTS ASSY, ELECTRICITY (HEAD LIGHT/2 F&R LAMP: LOWER)



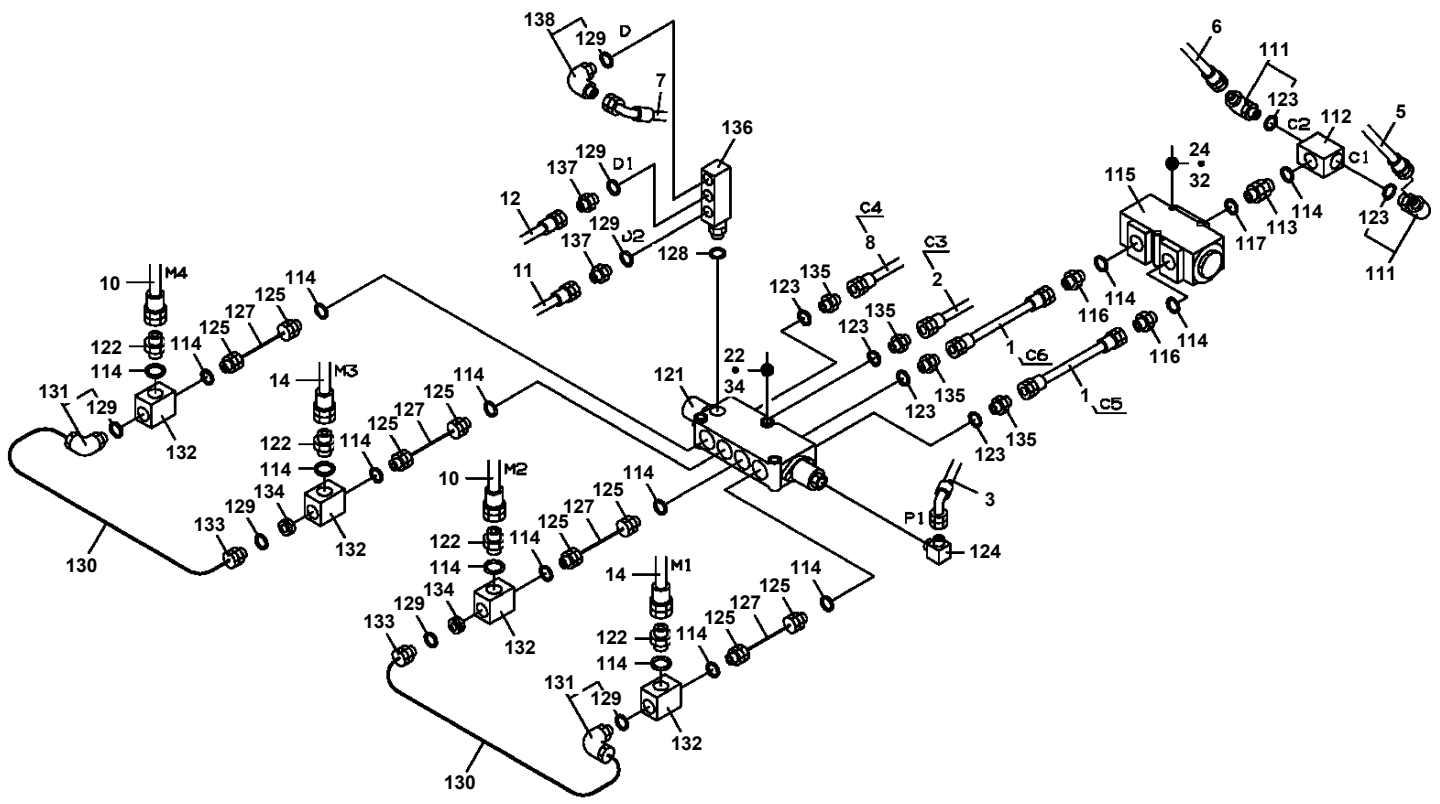
バスケット操作部



15

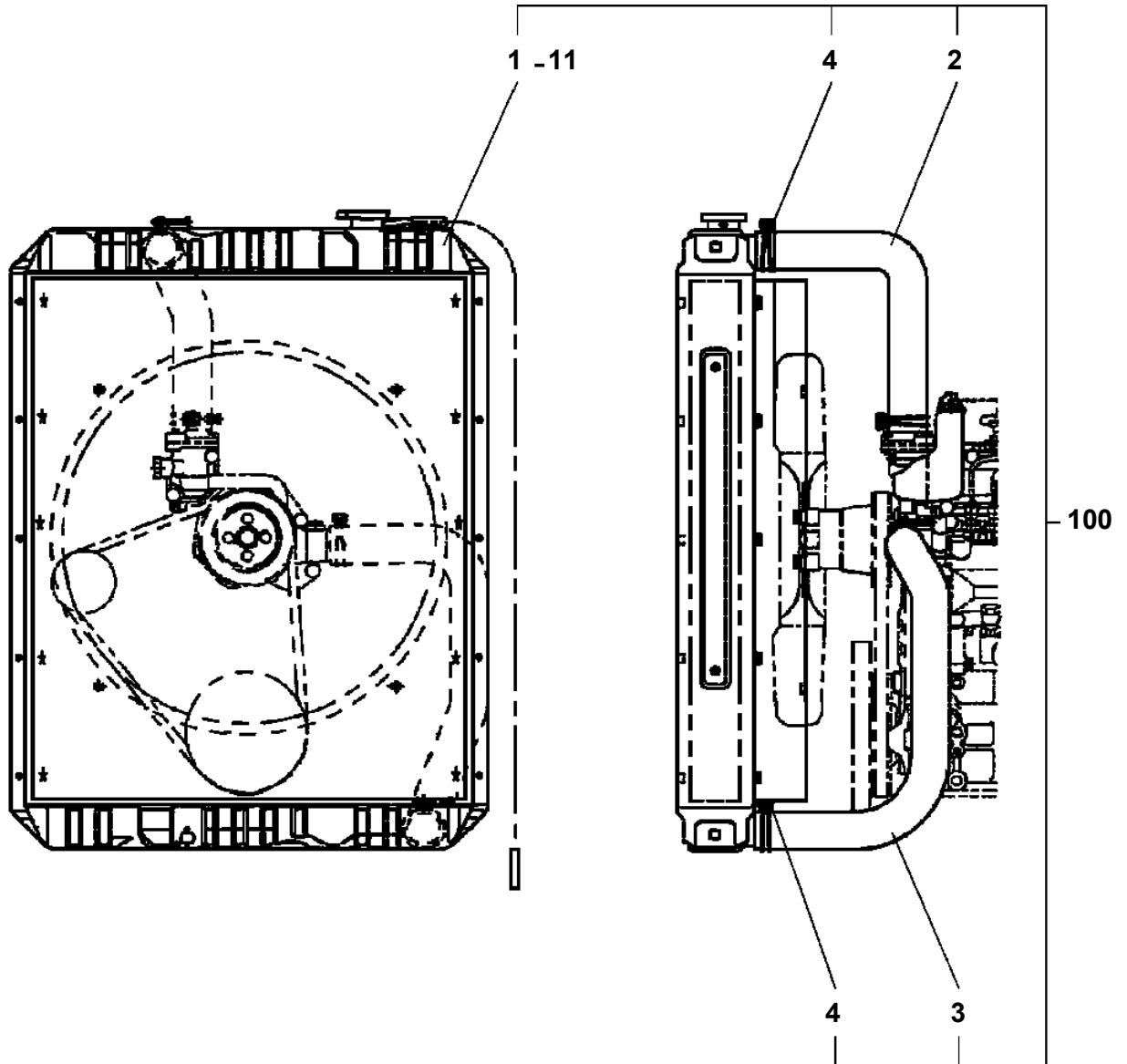


**AW-250-3-80101 3 BOOM,WHEEL TYPE
PP6130001-00 PIPING ASSY,FRAME (MANUAL)**



B

AW-250-3-80101 3 BOOM, WHEEL TYPE
PQ1030051-02 RADIATOR



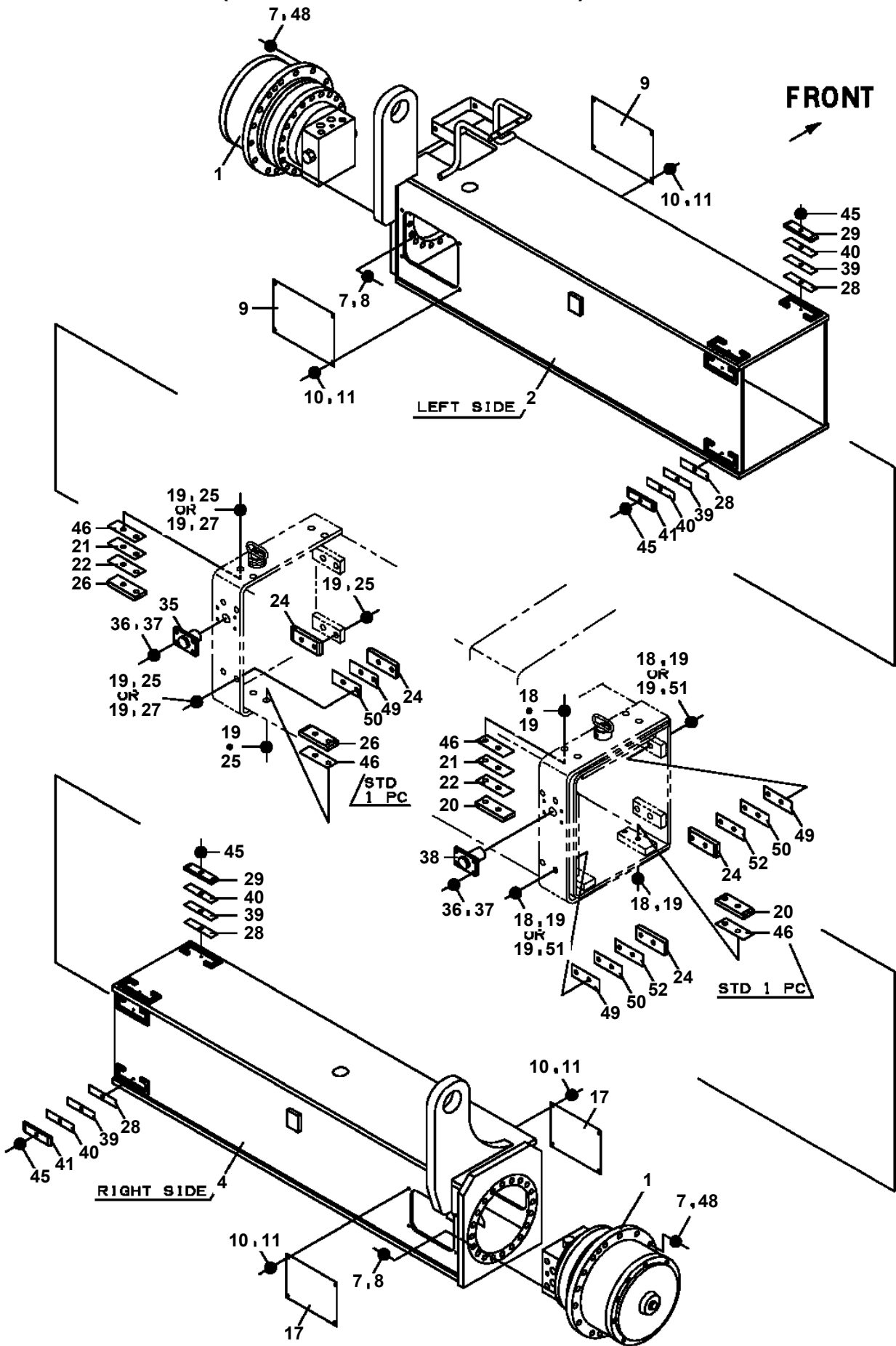
AW-250-3-80101 3 BOOM,WHEEL TYPE

Pos No.	Parts No	Parts Name	Qty	Unit	Technical Data	Serial No (Start)	Serial No (End)	Remarks
57	36102835100	CAP (TANK,FUEL WITH KEY)	1					
58	36101875030	COVER	1					
59	36101875040	PACKING	1					
61	36101875050	BOLT (WITH WASHER)	5		M5X10			
63	36101875060	STRAINER ASSY	1					
100	36101520000	TANK,FUEL (200L)	1					

AW-250-3-80101 3 BOOM,WHEEL TYPE

Pos No.	Parts No	Parts Name	Qty	Unit	Technical Data	Serial No (Start)	Serial No (End)	Remarks
1	44610941500	HUB ASSY,WHEEL (RIGHT)	1					
2	82459103000	NIPPLE,GREASE	4		C-PT1/8			
3	44610020010	PLATE	4					
4	44610020030	PACKING	4					
5	44610941300	AXLE (FRONT,RIGHT)	1					
6	90101206012	BOLT	24		M6X12			
7	90302040601	WASHER,SPRING	24		6			
8	44610020060	PIN	2					
9	80573005030	BEARING,NEEDLE	8					
10	80574005082	BEARING,BALL	2					
11	37000401600	PLATE	2					
12	44610020020	SHIM	N		T=0.1			
13	44610020040	SHIM	N		T=0.2			
14	44610020070	PIN	2					
15	90209201200	NUT	2		M12			
16	90303071201	WASHER,PLAIN	2		12			
17	90302041201	WASHER,SPRING	34		12			
18	36042310000	CYLINDER ASSY,EXTENSION	1					
19	44610941100	AXLE (FRONT,LEFT)	1					
20	44610941700	HUB ASSY,WHEEL (LEFT)	1					
21	90171112070	BOLT	16		M12X70			
22	44610751010	PLATE,SLIDE	4					
23	34200650600	SHIM	N		T=1			
24	44610751020	SHIM	N		T=0.5			
25	37000563550	PLATE	N		T=2.3			
26	44610751030	PLATE,SLIDE	4					
27	90171112040	BOLT	16		M12X40			
28	44610751040	PLATE,SLIDE	4					
29	90171112045	BOLT	16		M12X45			
30	90303501601	WASHER,PLAIN	30		16			
31	37001507340	BOLT	30		M16X40			
32	37000166210	PIN	1					
33	80601110200	RING,RITAINING	2		S20			
34	44610941030	PLATE	4					
35	37000138750	PIN	1		18			
36	44610941010	PLATE	8					
37	37000565640	PLATE	N		T=0.5 TO 0.6			
38	80136332036	PIN,SPLIT	2		3.2X36			
39	44610751700	PIN	1					
40	90171110025	BOLT	8		M10X25			
41	90302041001	WASHER,SPRING	12		10			
42	44610751800	PIN	1					
43	37000565650	PLATE	N		T=1.0			
44	37000565660	PLATE	N		T=2.3			
45	44610941020	PLATE	4					
46	44610751060	SUPPORT	1					
47	33610002520	PLATE,SLIDE	1					
48	90101210020	BOLT	4		M10X20			
49	90201201000	NUT	2		M10			
50	80184306016	SCREW,MACHINE	12		M6X16			
51	44610751080	PLATE,SLIDE	N					
52	90171112065	BOLT	8		M12X65			
71	44610023101	ARM,KNUCKLE	1					
73	44610022010	SPACER	2					
74	37005500010	SEAL,OIL	2					
75	80533032217	BEARING,ROLLER	2					
77	37000519200	PLATE	2					
78	44610022031	PACKING	2					
79	37001601050	NUT	2					
80	44610022040	COVER	2					
81	80136363112	PIN,SPLIT	2		6.3X112			
82	90101210025	BOLT	12		M10X25			
83	90302041001	WASHER,SPRING	12		10			

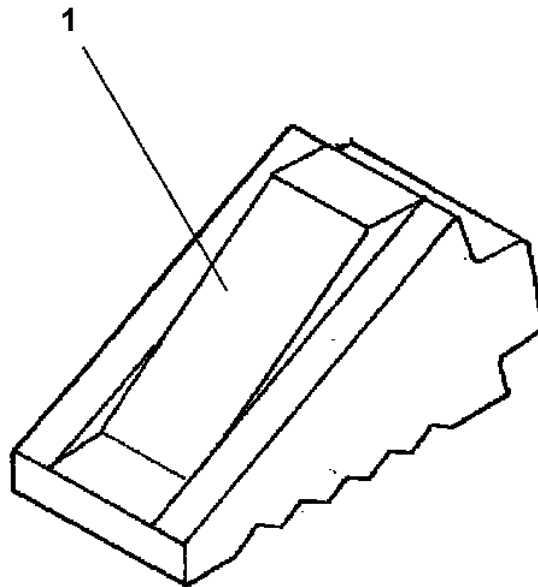
**AW-250-3-80101 3 BOOM, WHEEL TYPE
PR2010138-00 AXLE (REAR/SHIPPING SUPPORT)**



AW-250-3-80101 3 BOOM,WHEEL TYPE

Pos No.	Parts No	Parts Name	Qty	Unit	Technical Data	Serial No (Start)	Serial No (End)
1	44431531101	RELAY BOX	1				
2	44431531200	COVER	1				
3	90101206016	BOLT	14		M6X16		
4	90302040601	WASHER,SPRING	8		6		
5	90303070601	WASHER,PLAIN	6		6		
6	80192486014	SCREW,MACHINE (WITH WASHER)	8		M6X14		
7	44431533100	RELAY ASSY	1				
8	44431481400	BOX ASSY	1				
9	82161300020	RELAY	1				
10	90201200600	NUT	8		M6		
11	82100000734	RELAY	1				
13	37002710840	CABLE	2		L=3500		
15	44431531450	HARNESS	1				
16	82100001811	RELAY	1				
17	80182308014	SCREW,MACHINE	2		M8X14		
18	90302040801	WASHER,SPRING	2		8		
20	44430251210	HARNESS	1		L=140		
21	90201200800	NUT	2		M8		
22	91810130250	FASTENER	10				
43	82400000201	GROMMET	1		KG-016		
51	44431533110	PLATE	1				
52	34354781710	RELAY (WITH BRACKET)	15				
53	90101206008	BOLT	15		M6X8		
54	90302040601	WASHER,SPRING	15		6		
61	34351562510	BOX,FUSE	1				
72	82400000202	GROMMET	1				

**AW-250-3-80101 3 BOOM,WHEEL TYPE
PS5380006-00 STOPPER**

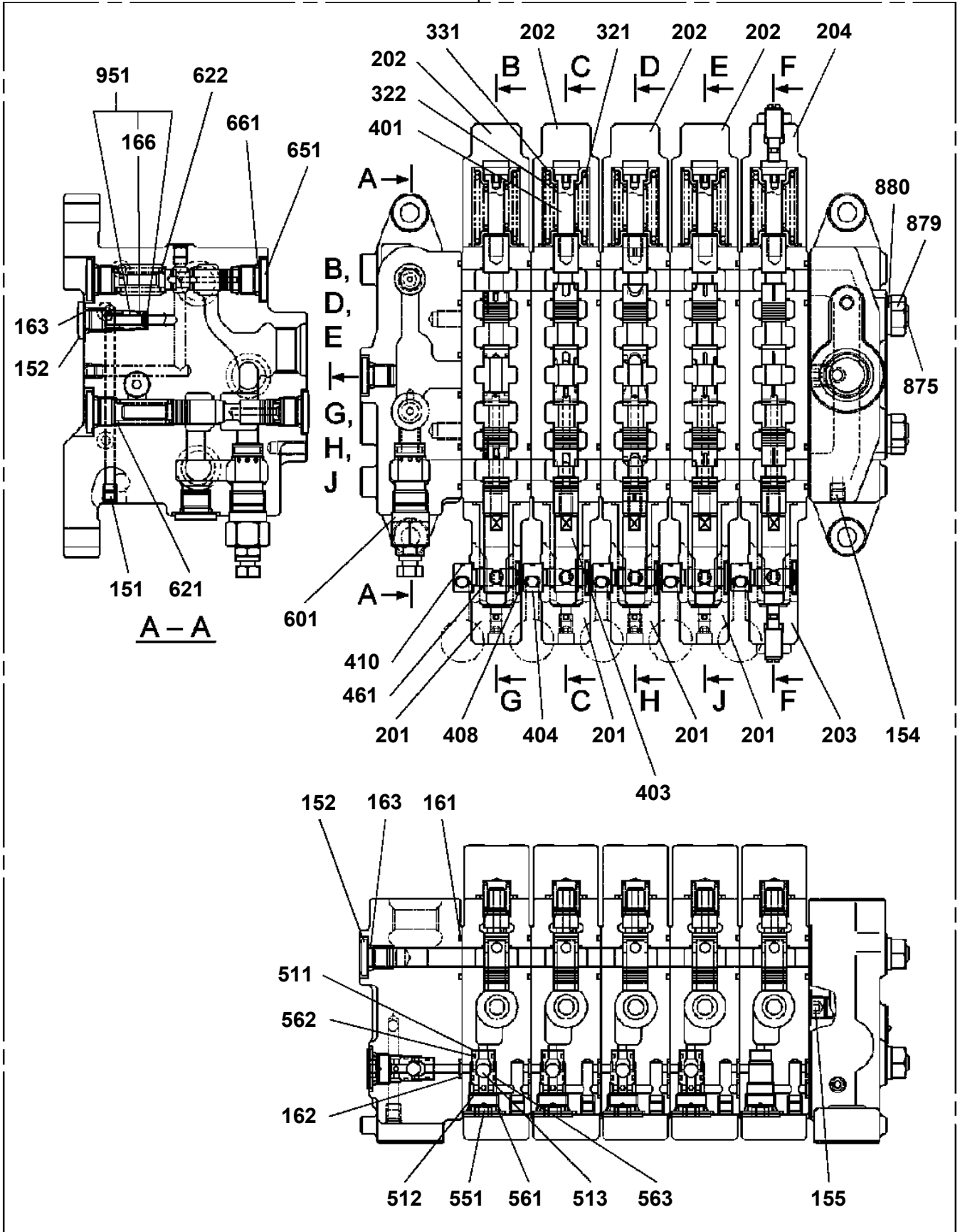


AW-250-3-80101 3 BOOM,WHEEL TYPE

Pos No.	Parts No	Parts Name	Qty	Unit	Technical Data	Serial No (Start)	Serial No (End)	Remarks	Pages
1	82105220153	SWITCH,TOGGLE	1						
2	82105220112	SWITCH,TOGGLE	1						
50	44472260100	SWITCH ASSY	1						

**AW-250-3-80101 3 BOOM, WHEEL TYPE
PV5060023-00 VALVE ASSY, CONTROL**

999



AW-250-3-80101 3 BOOM, WHEEL TYPE PW1010514-02 ACCESSORIES

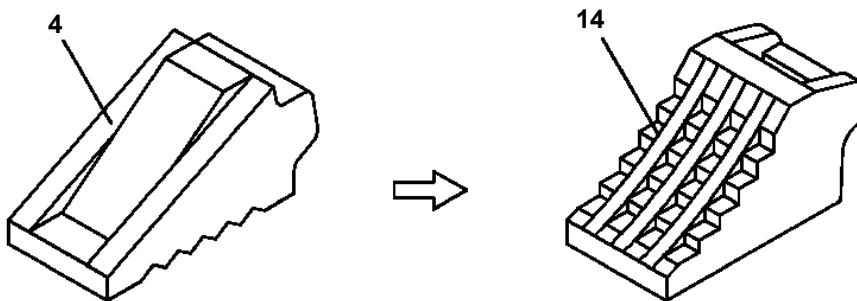
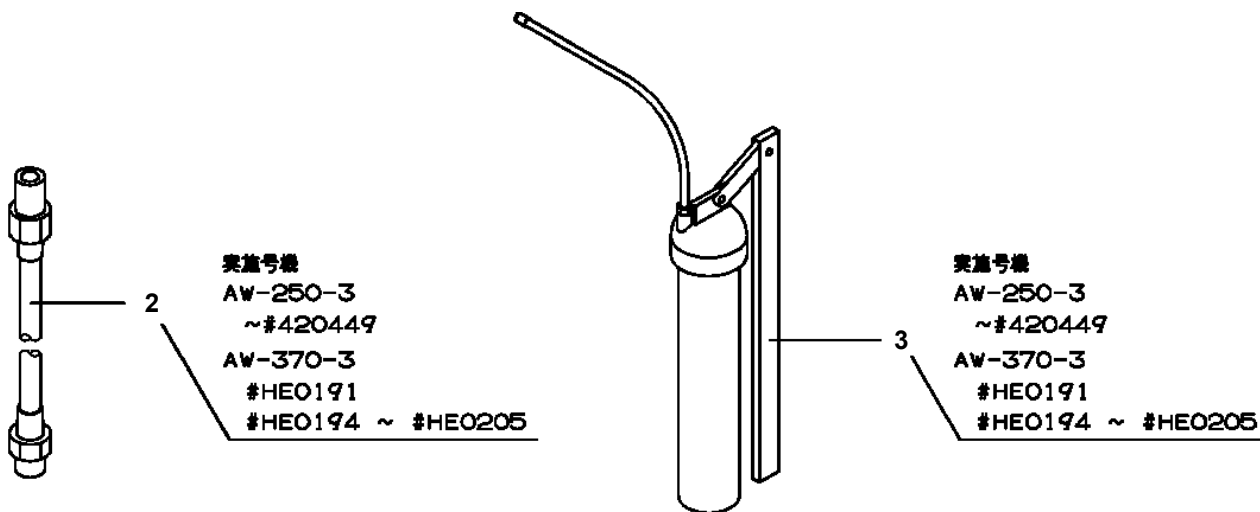


表1参照
REFER TO THE TABLE 1 BELOW

4

モデル番号 MODEL	実施号機 APPLICABLE SERIAL NO.
AW-250-3	~ #420449
AW-370-3	#HE0191 #HE0194 ~ #HE0205

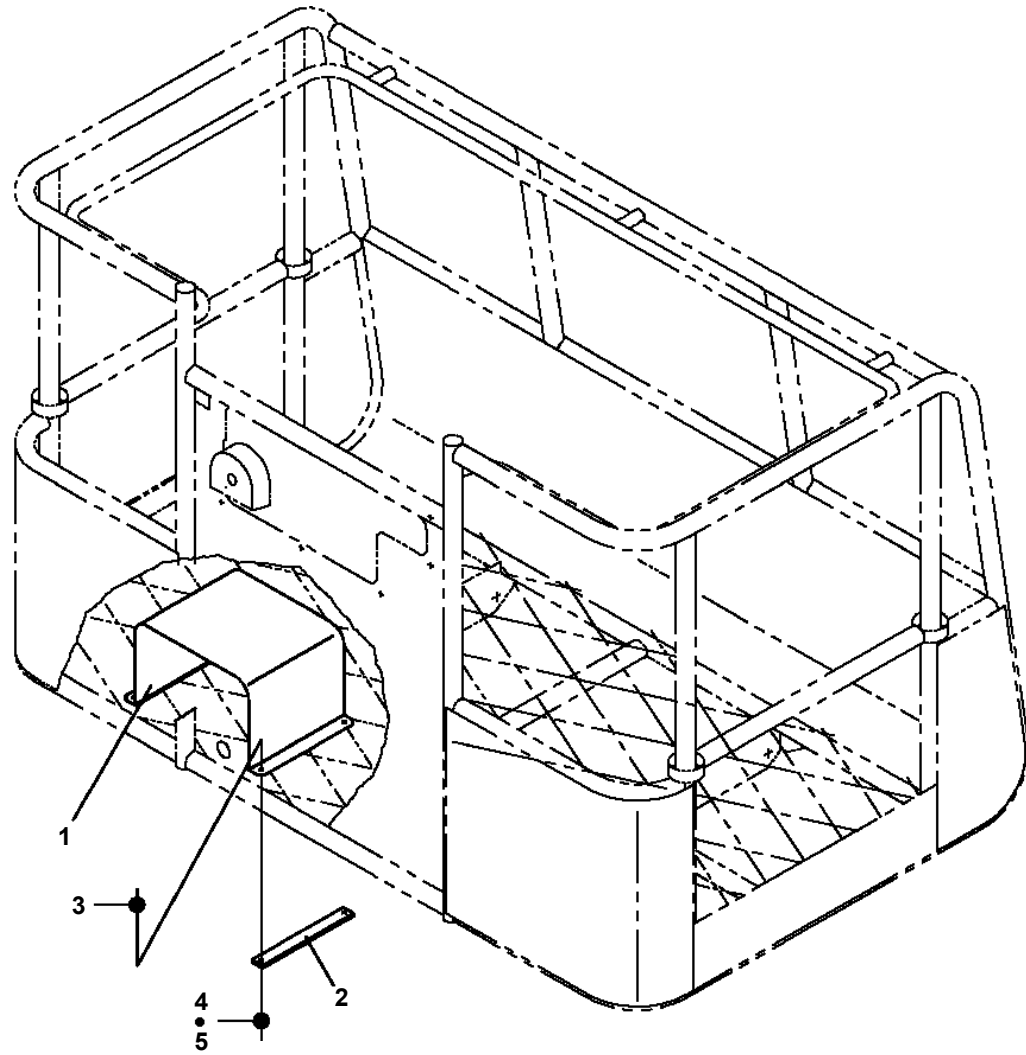


14

モデル番号 MODEL	実施号機 APPLICABLE SERIAL NO.
AW-250-3	#420450 ~
AW-370-3	#HE0189 ~ #HE0190 #HE0192 ~ #HE0193 #HE0206 ~

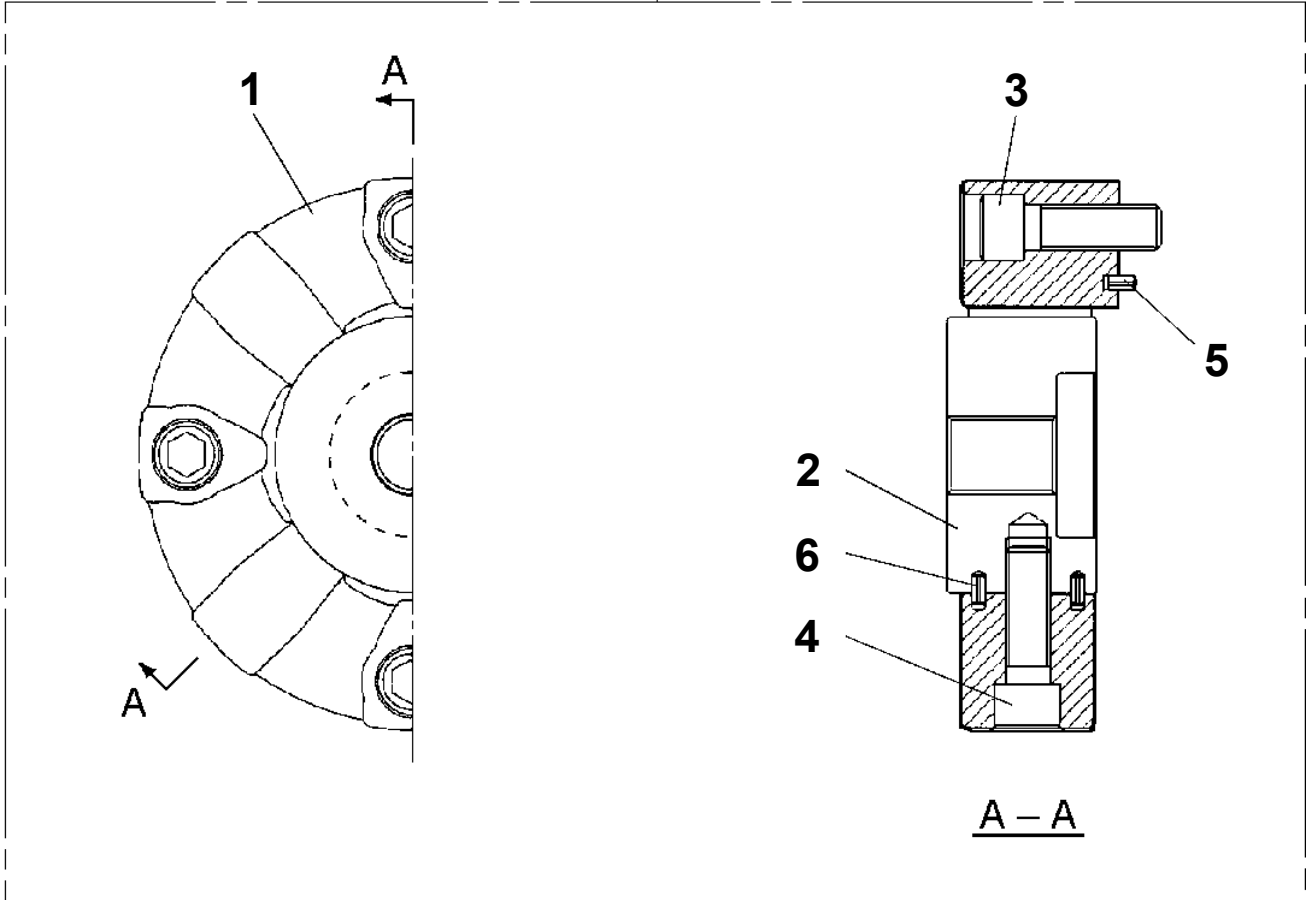
表1
TABLE 1

**AW-250-3-80101 3 BOOM,WHEEL TYPE
PX1250156-00 COVER (FOOT SWITCH)**

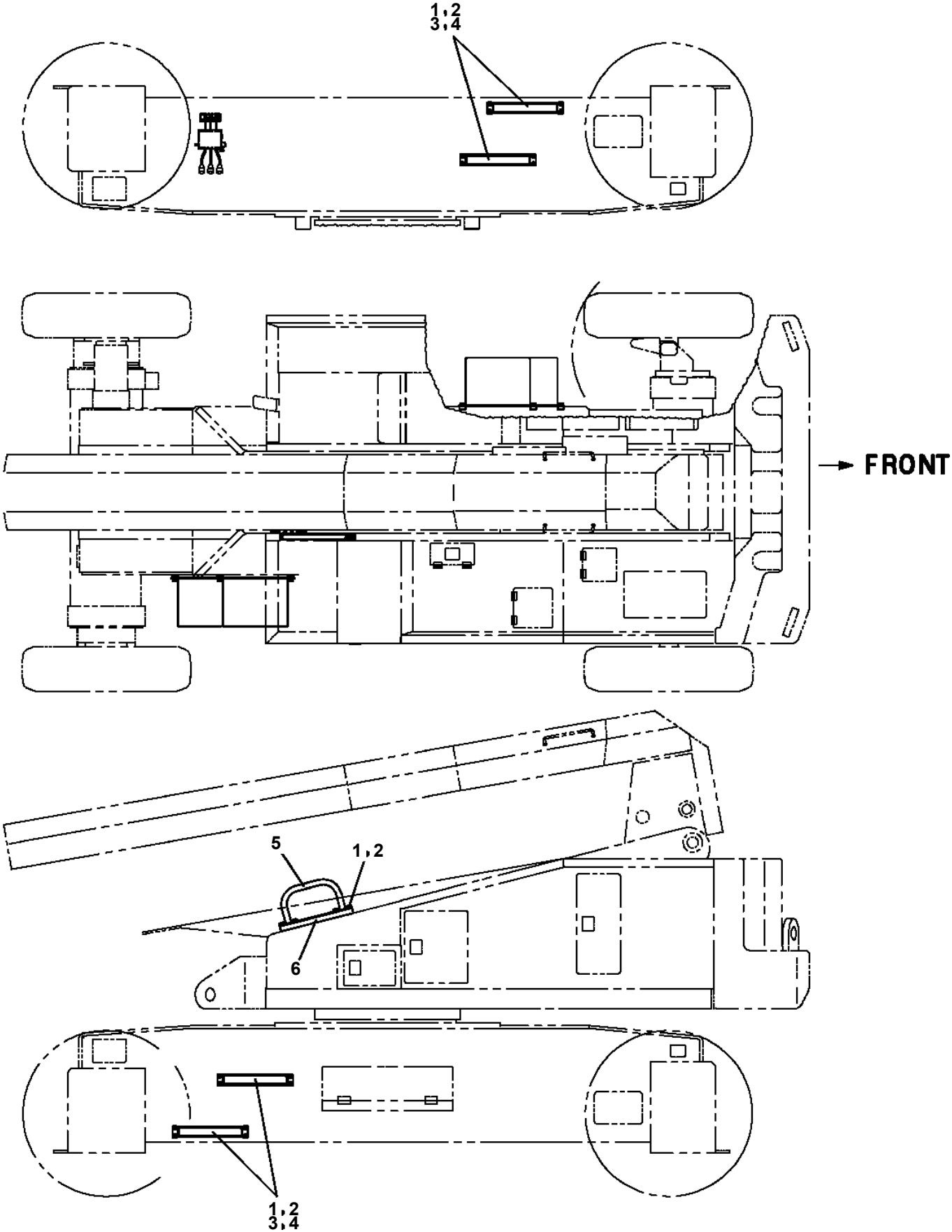


**AW-250-3-80101 3 BOOM, WHEEL TYPE
PX1830010-00 COUPLING**

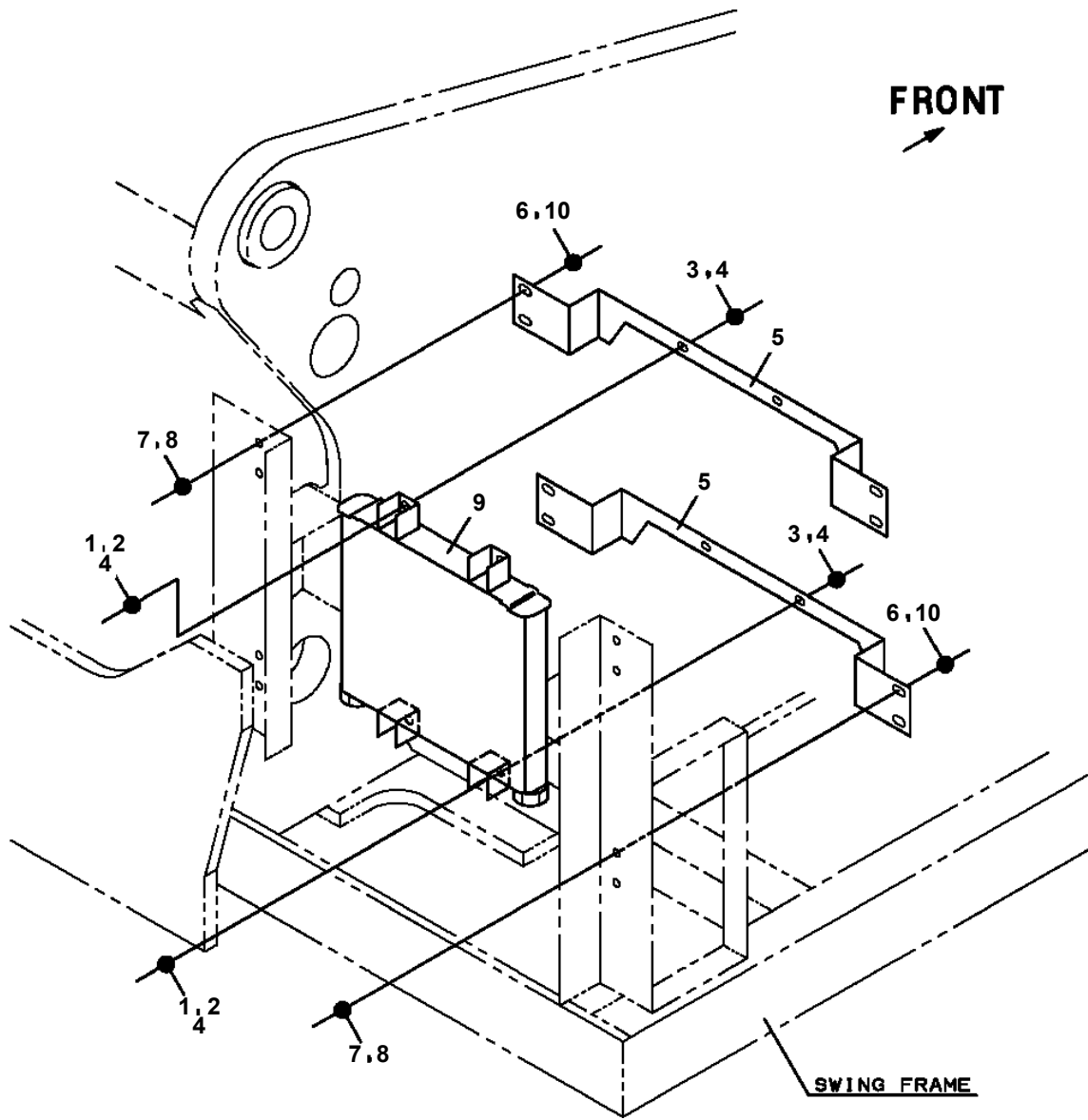
50



**AW-250-3-80101 3 BOOM, WHEEL TYPE
PX5670003-00 MOUNT ASSY, STEP**



**AW-250-3-80101 3 BOOM, WHEEL TYPE
PY1300050-00 COOLER, OIL**



CLICK HERE TO **DOWNLOAD** THE COMPLETE MANUAL

- Thank you very much for reading the preview of the manual.
- You can download the complete manual from: www.heydownloads.com by clicking the link below



- Please note: If there is no response to CLICKING the link, please download this PDF first and then click on it.

CLICK HERE TO **DOWNLOAD** THE COMPLETE MANUAL