

# **AW-210S-1-80211 4 BOOM,WHEEL TYPE**

**PD2000137-00 SWING UNIT**

**PG2000165-00 BOOM UNIT**

**PH1000550-00 SAFETY DEVICES (MOTION CONTROLLER)**

**PJ3000404-00 PLATFORM SYSTEM**

**PO1000168-00 INDICATION PLATES**

**PQ2000002-00 ENGINE UNIT**

**PX2000539-00 CARRIER UNIT**

**PY1000955-00 OPTIONS,1**

**PY2000138-01 OPTIONS,2**

**ASSEMBLY**

CLICK HERE TO **DOWNLOAD** THE COMPLETE MANUAL

- Thank you very much for reading the preview of the manual.
- You can download the complete manual from: [www.heydownloads.com](http://www.heydownloads.com) by clicking the link below



- Please note: If there is no response to CLICKING the link, please download this PDF first and then click on it.

CLICK HERE TO **DOWNLOAD** THE COMPLETE MANUAL

# AW-210S-1-80211 4 BOOM,WHEEL TYPE

Pos No.	Parts No	Parts Name	Qty	Unit	Technical Data	Serial No (Start)	Serial No (End)	Remarks	Pages
1	(*****)	PLATE ASSY,NAME	1						000088

## **AW-210S-1-80211 4 BOOM,WHEEL TYPE**

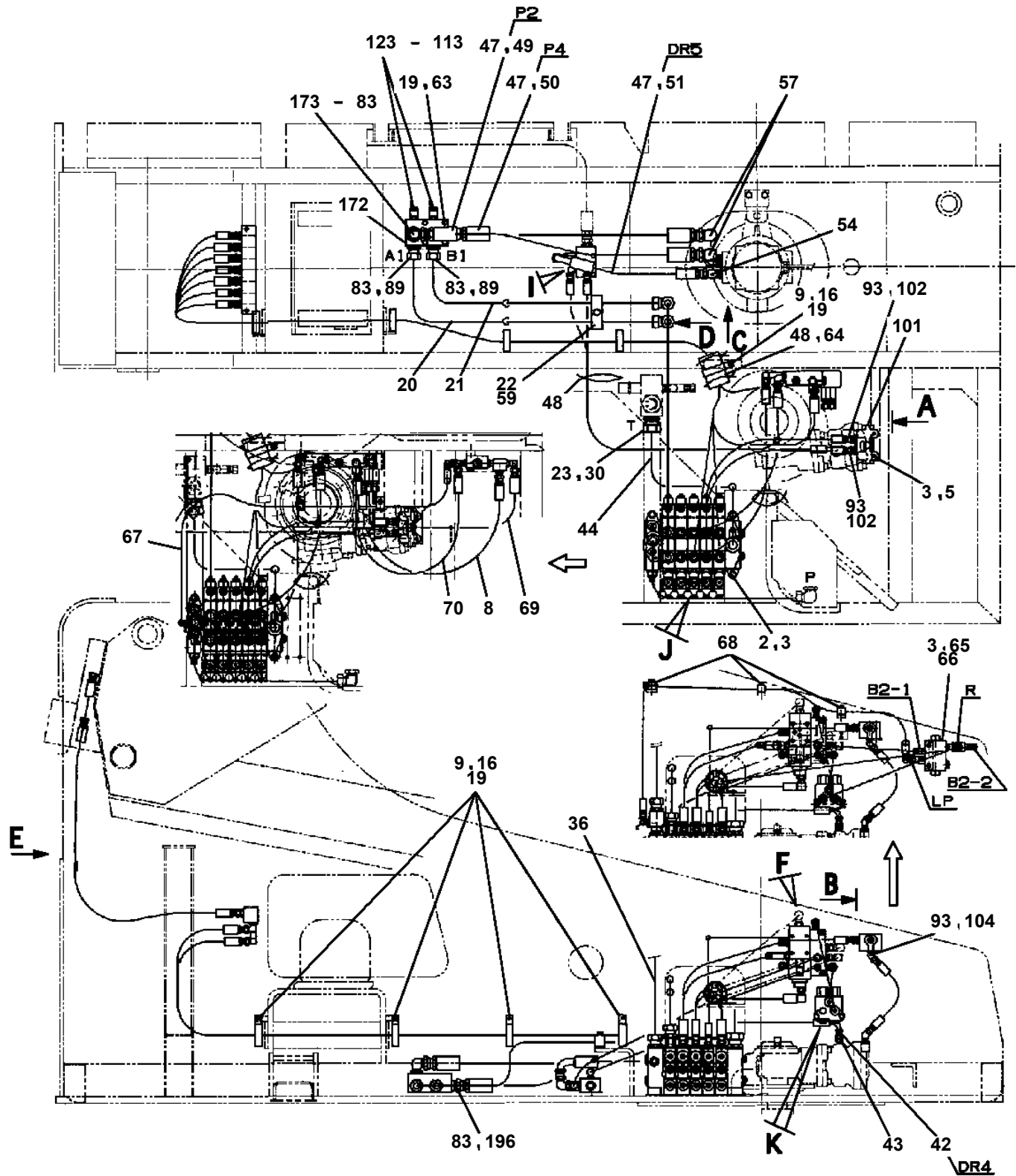
PL1920005-02 OPE.ASSY (PLATFORM)  
PM1030025-00 PIPING,GREASE  
PM1030038-00 PIPING,GREASE  
PM5230010-00 MOTOR,OIL  
PN1012777-02 ELEC.ASSY (PLATFORM)  
PN1012789-02 ELEC.ASSY (BOOM)  
PN1012834-04 ELEC.ASSY (SWING FRAME)  
PN1012971-00 ELEC.ASSY (FRAME)  
PN1020008-01 POWER SOURCE (LOWER/220V 10A)  
PN1020009-00 POWER SOURCE (UPPER/220V 10A)  
PN1080118-00 LAMP (WORKING/4.2M PLATFORM)  
PN1140089-00 SWITCH,DETECTOR  
PN1370133-00 BATTERY  
PO1013508-02 PLATE ASSY,NAME  
PP5450003-00 PUMP,GREASE (240CC)  
PP5450004-00 PUMP,GREASE (400CC)  
PQ1020076-00 RADIATOR  
PQ1040063-00 EXHAUST  
PQ1060036-00 AIR INTAKE  
PQ1070040-00 CLEANER,AIR  
PQ1100011-02 TANK,FUEL (200L)  
PQ1100024-00 TANK,FUEL  
PQ1140103-00 POWER TRAIN  
PR2010060-00 AXLE  
PR2050023-00 DRIVE UNIT,WHEEL  
PR2050024-00 DRIVE UNIT,WHEEL  
PR2150008-00 TIRE & WHEEL  
PR2150008-00 TIRE & WHEEL  
PR5020007-00 RADIATOR ASSY  
PS1360061-00 CYLINDER,STEERING  
PS5530037-00 SWITCH ASSY (WITH HARNESS,5 SW)  
PS5530449-00 SWITCH ASSY  
PT1200100-00 PIPING,BRAKE  
PV1020281-01 VALVE,REMOTE CONTROL  
PV5040021-00 VALVE ASSY,CHECK  
PW1010301-00 ACCESSORIES (PUMP,GREASE)  
PW1030049-01 TOOLS  
PW1030063-00 TOOLS  
PW5110002-00 WEDGE (STOPPER FOR TIRE/WAZUMI)  
PW5110003-00 WEDGE (STOPPER FOR TIRE/NAKAMURA KIKI)  
PX1120524-00 BOOM REST  
PX1260238-00 STEP  
PX1830009-00 COUPLING  
PY1090001-00 BELT,SAFETY  
PY1300026-01 COOLER,OIL (MOUNT)  
PY1910021-00 HOSE (FOR GREASE PUMP)  
PZ0000000-00 SOLENOID ASSY

## AW-210S-1-80211 4 BOOM,WHEEL TYPE

Pos No.	Parts No	Parts Name	Qty	Unit	Technical Data	Serial No (Start)	Serial No (End)	Remarks
96	36653925450	SPRING	1					
97	36653355050	SCREW (WITH WASHER)	2					
98	36653925560	PLUG	1					
99	36653925470	PLUG	1					
101	36653925490	SPOOL	2					
102	91002800600	O-RING	5		1B P6			
104	91002802400	O-RING	1		1B P24			
107	91002801600	O-RING	1		1B P16			
	36654555020	O-RING	1					
109	90203200800	NUT	2		M8			
121	90131906040	BOLT,HEXAGON SOCKET	4		M6X40			
132	36653925500	NUT	1					
133	36730105020	PLUG	1					
137	80602110150	RING,RETAINING	1					
138	91002905000	O-RING	1		1B G50			
139	91002903000	O-RING	1		1B G30			
140	91002801500	O-RING	1		1B P15			
141	91002801100	O-RING	2		1B P11			
144	36653355030	NUT	1					
145	36650835710	SCREW,SET	1					
200	36653860000	PUMP,HYDRAULIC	1					

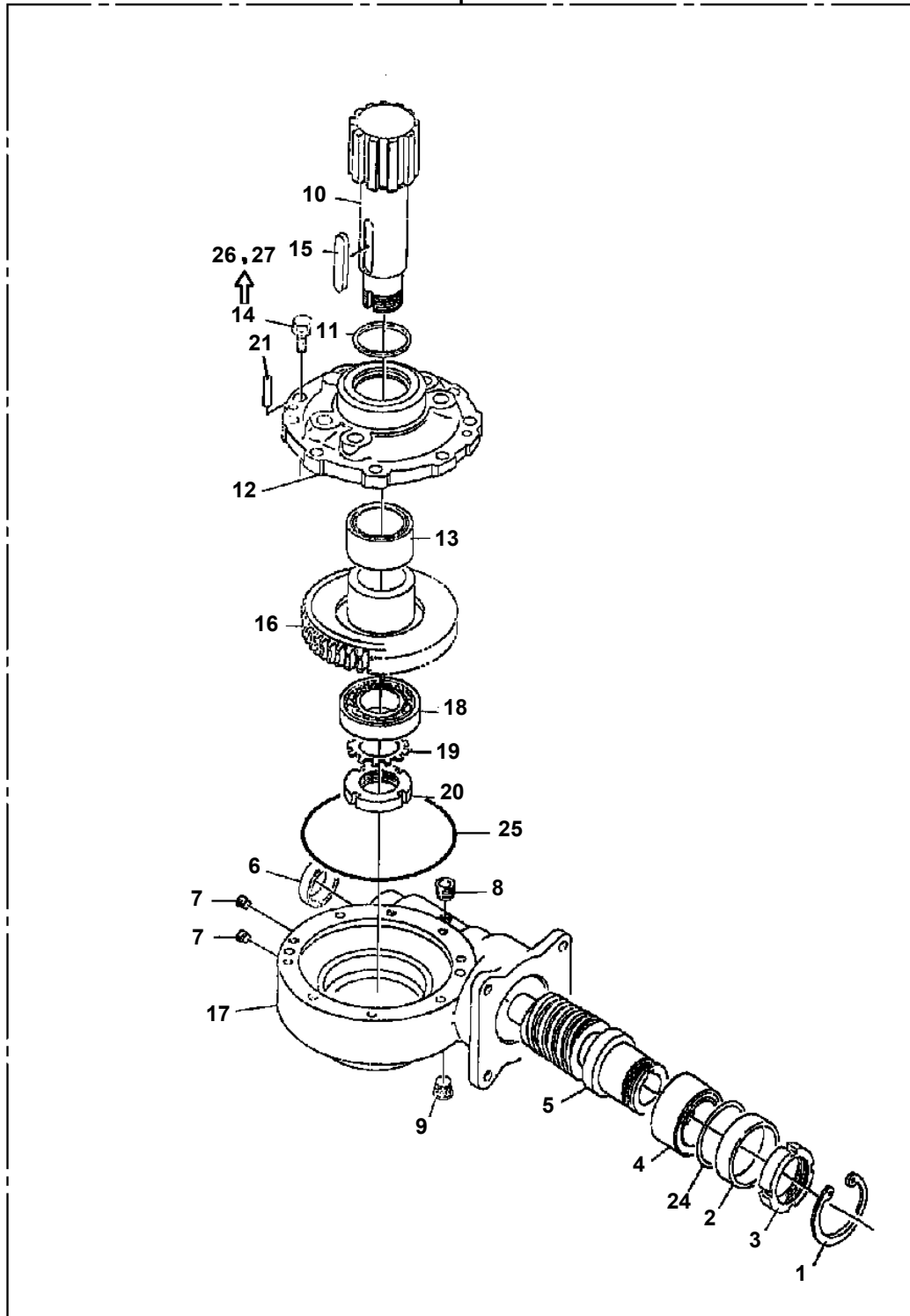


**AW-210S-1-80211 4 BOOM,WHEEL TYPE  
PB1400348-02 PIPING,UPPER (CONT. VALVE)**

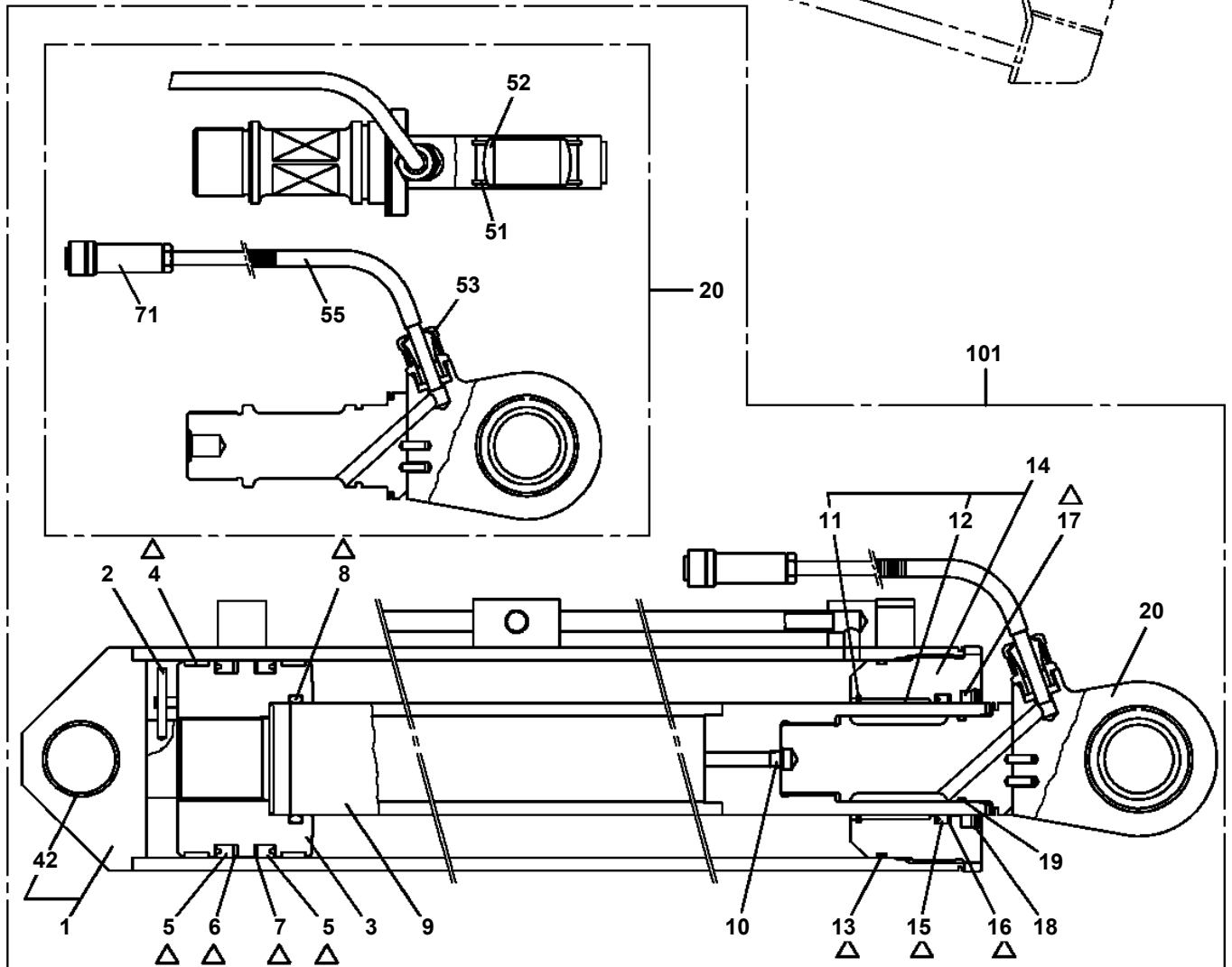
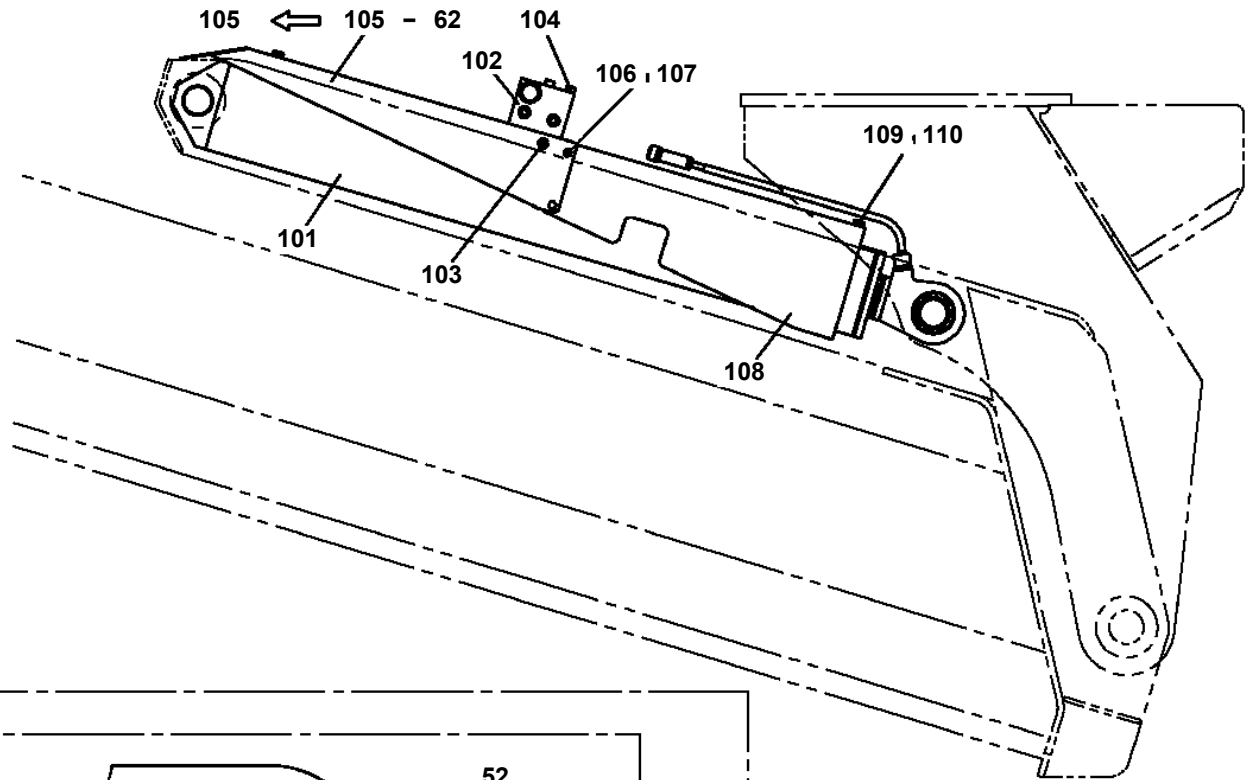


**AW-210S-1-80211 4 BOOM,WHEEL TYPE  
PD1010119-01 REDUCER,SWING SPEED**

50

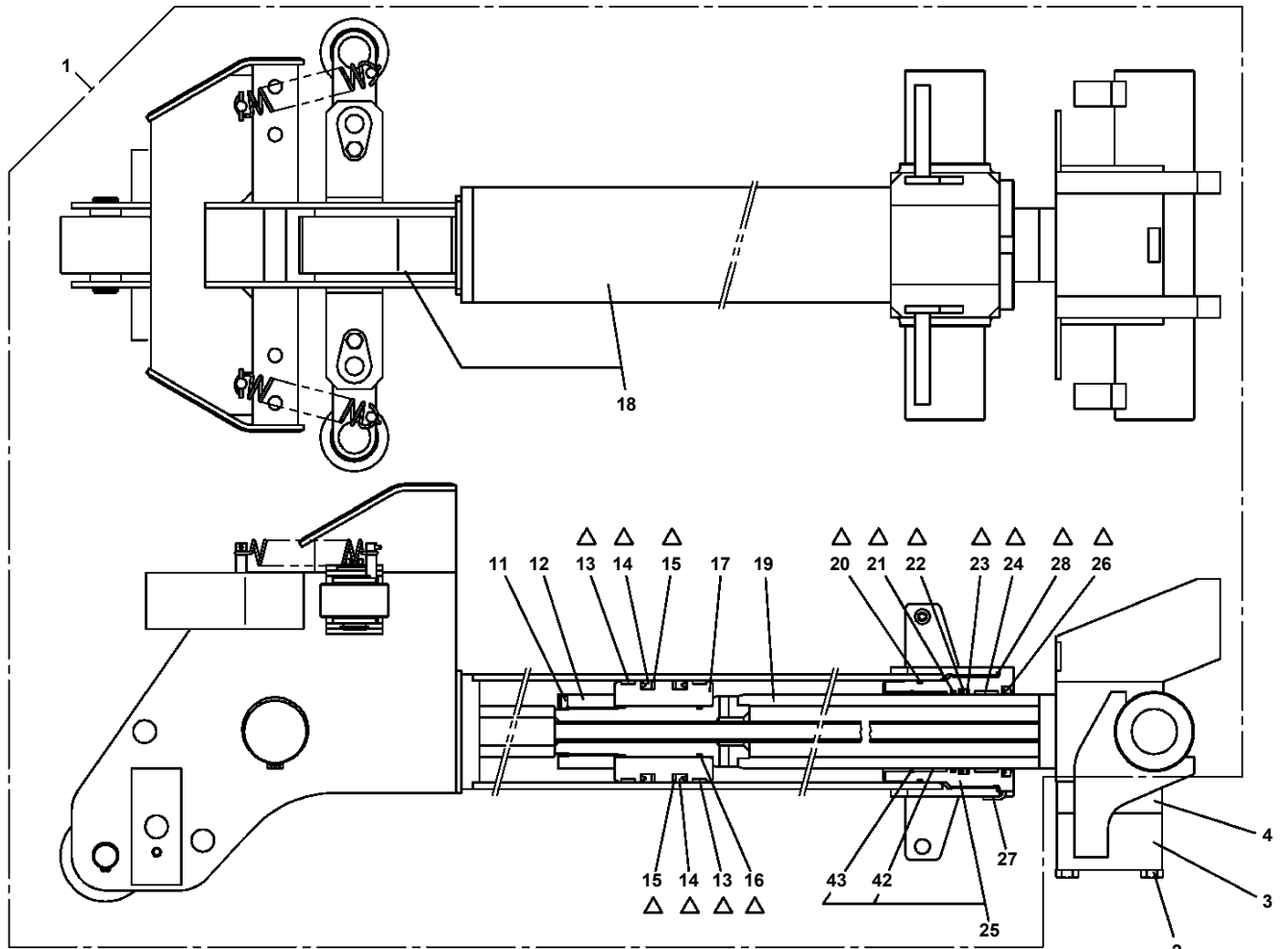


**AW-210S-1-80211 4 BOOM,WHEEL TYPE  
PE1050140-01 CYLINDER,LEVELING**



Δ:PACKING SET KEY NO.91 (KEY NO.4,5,6,7,8,13,15,16,17)

**AW-210S-1-80211 4 BOOM,WHEEL TYPE  
PG1050462-00 CYLINDER,TELESCOPING**

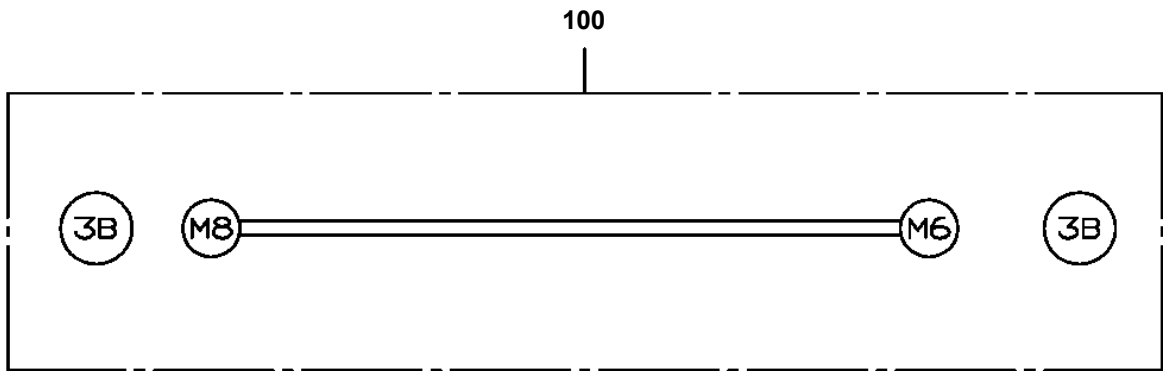


Δ:PACKING SET KEY NO.120) (KEY NO.13,14,15,16,20,21,22,23,24,26,28)

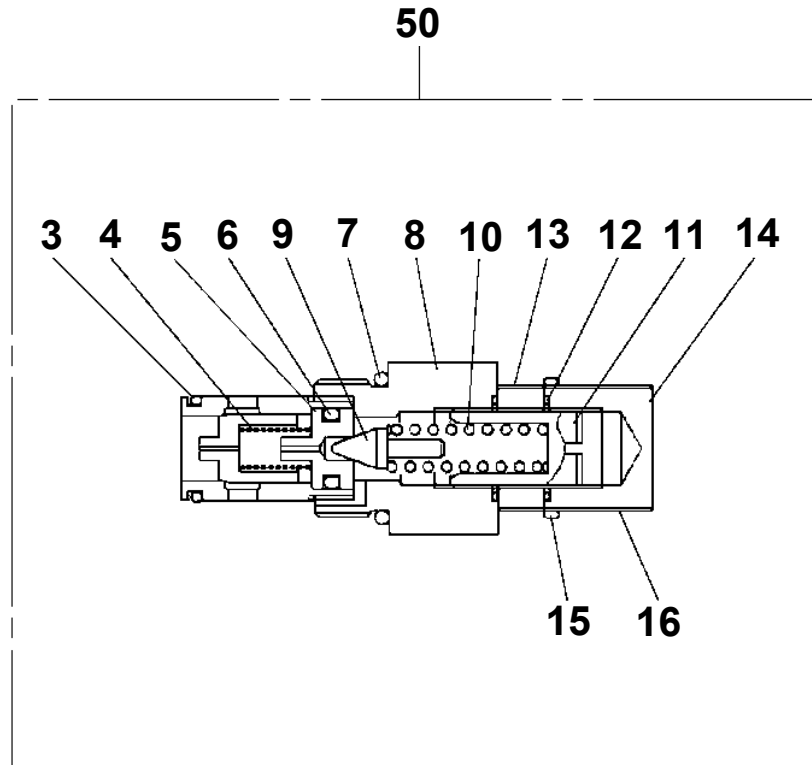
# AW-210S-1-80211 4 BOOM,WHEEL TYPE

Pos No.	Parts No	Parts Name	Qty	Unit	Technical Data	Serial No (Start)	Serial No (End)	Remarks
2	90101208014	BOLT	12		M8X14			
3	90302040801	WASHER,SPRING	16		8			
5	90201200600	NUT	2		M6			
6	90302040601	WASHER,SPRING	2		6			
7	37000714030	CLAMP ASSY	4		18X1			
8	37000300750	SLEEVE	4		18-15			
9	80430450650	JOINT	1					
13	37000911550	JOINT	1					
14	82100002012	CLAMP	2		WR18			
15	37002466720	HOSE	2		L=1400			
16	37000714310	CLAMP ASSY	1					
17	42344400300	SUPPORT	1					
18	90101210018	BOLT	4		M10X18			
19	90302041001	WASHER,SPRING	8		10			
20	90303071001	WASHER,PLAIN	4		10			
21	37000711080	CLAMP ASSY	2		12-2			
22	37000711170	CLAMP ASSY	2		12X3			
23	81408000160	PIPE,STEEL	2	M	12X1.4T			
24	81408000160	PIPE,STEEL	2	M	12X1.4T			
25	81408000160	PIPE,STEEL	2	M	12X1.4T			
26	81408000160	PIPE,STEEL	2	M	12X1.4T			
27	81408000160	PIPE,STEEL	2	M	12X1.4T			
29	80320020080	FITTING	4		KUF12-030N			
30	42344400400	BEAR,CABLE	1					
31	80320020075	FITTING	1		KUF12-020N			
32	80320030080	FITTING,ELBOW	2		KLE12-030N			
33	81408000160	PIPE,STEEL	1	M	12X1.4T			
34	81408000160	PIPE,STEEL	1	M	12X1.4T			
35	80303130161	FITTING,ELBOW	2		KLO12-030E			
36	37000711000	CLAMP ASSY	2		12-1			
37	90303070801	WASHER,PLAIN	12		8			
38	37002466700	HOSE	5		L=3130			
39	90171110055	BOLT	4		M10X55			
40	42344402000	ROLLER ASSY	2					
41	37002466690	HOSE	5		L=13260			
44	37000175860	PIN	1					
45	37001109790	ROLLER	1					
46	80136340020	PIN,SPLIT	2		4X20			
47	44340932680	SUPPORT	1					
48	44340932670	SUPPORT	1					
49	90101208025	BOLT	4		M8X25			
50	90201200800	NUT	4		M8			
51	80320010080	FITTING	5		KUD12-030N			
52	81408000160	PIPE,STEEL	1	M	12X1.4T			
53	80301010100	FITTING	4		KUA12-000N			
54	44340890500	JOINT	4					
55	80321112200	VALVE,CHECK	4					
71	42344400110	JOINT	1					
72	80400160127	JOINT	3					
73	91002801100	O-RING	4		1B P11			
74	80316090020	PLUG	18		KKT PT1/8			
75	80400160129	JOINT	13					
76	91002801400	O-RING	18		1B P14			
77	80481002030	JOINT	1		S,G1/4-G3/8			
81	42344400210	JOINT	1					
91	42344403400	COVER	1					
92	42344403500	COVER	1					
93	44341161100	COVER	1					
94	90101208012	BOLT	20		M8X12			
95	90302040801	WASHER,SPRING	28		8			
96	90303070801	WASHER,PLAIN	24		8			
97	44341161400	STEP	1					
98	44341161200	SUPPORT	1					

**AW-210S-1-80211 4 BOOM,WHEEL TYPE  
PH5034451-00 HARNESS**

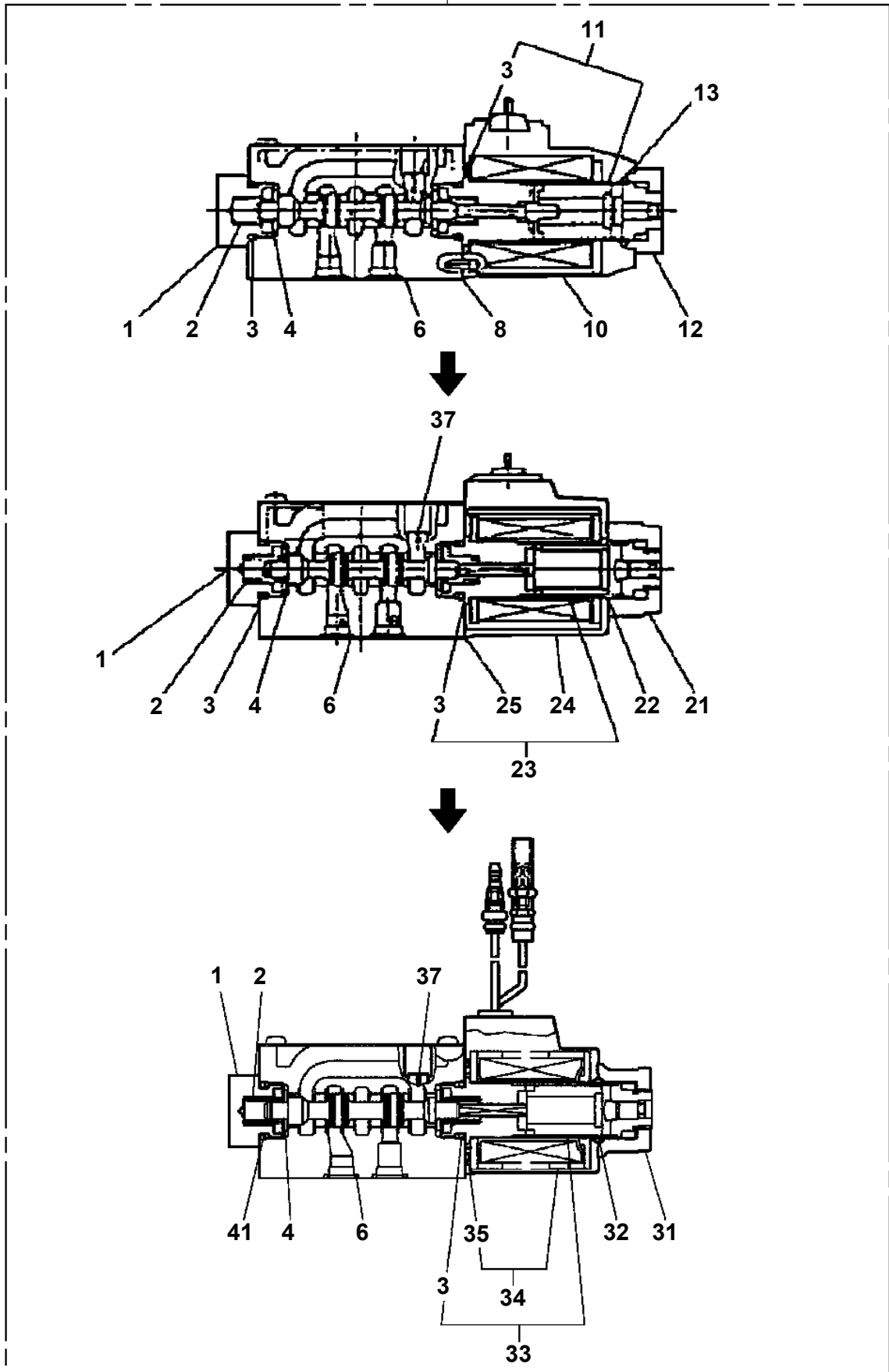


**AW-210S-1-80211 4 BOOM,WHEEL TYPE  
PI1100095-00 VALVE,RELIEF**

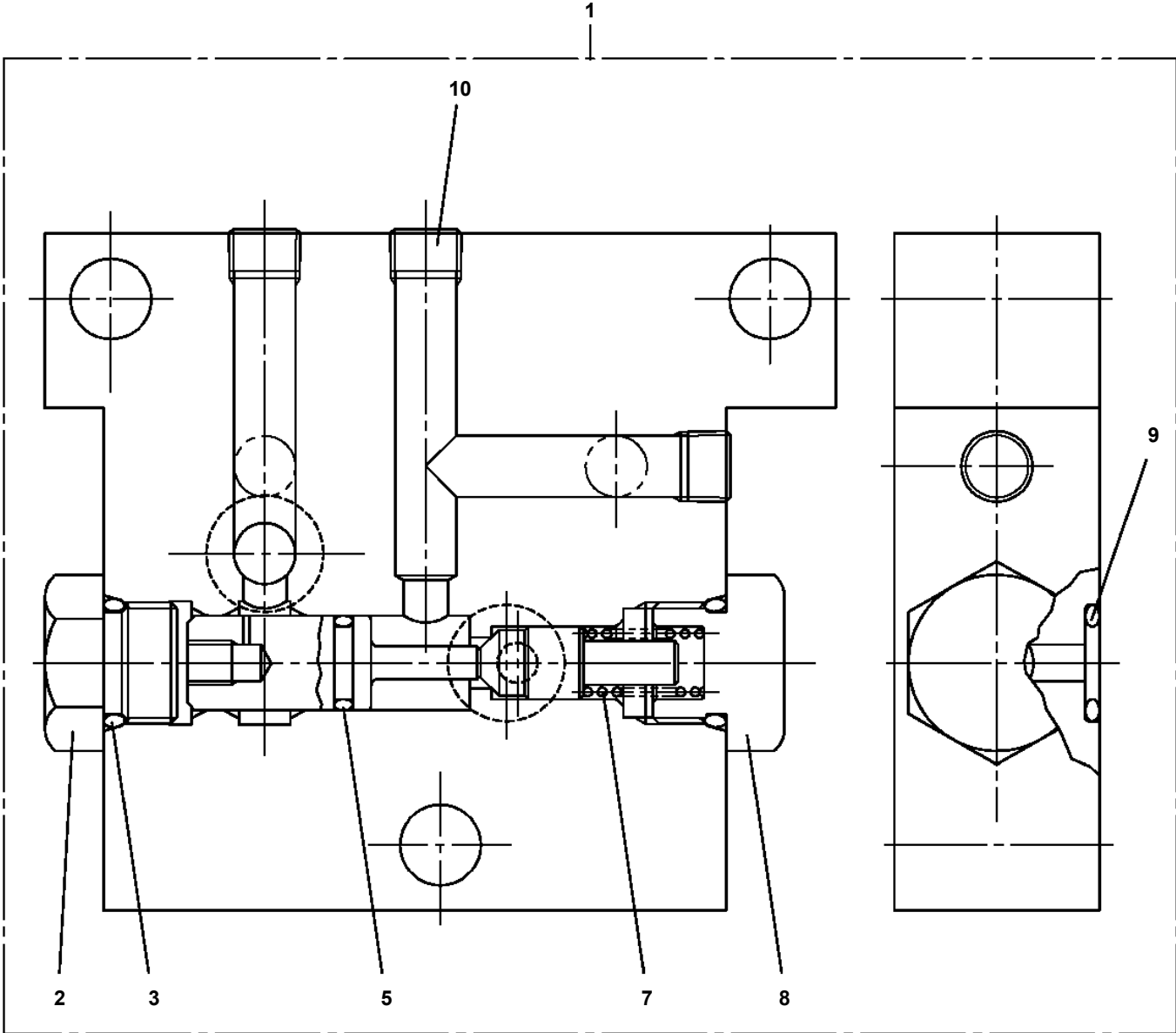


AW-210S-1-80211 4 BOOM,WHEEL TYPE  
PI1120240-02 VALVE,SOLENOID

100



**AW-210S-1-80211 4 BOOM,WHEEL TYPE  
PI1140086-00 VALVE,CHECK**



CLICK HERE TO **DOWNLOAD** THE COMPLETE MANUAL

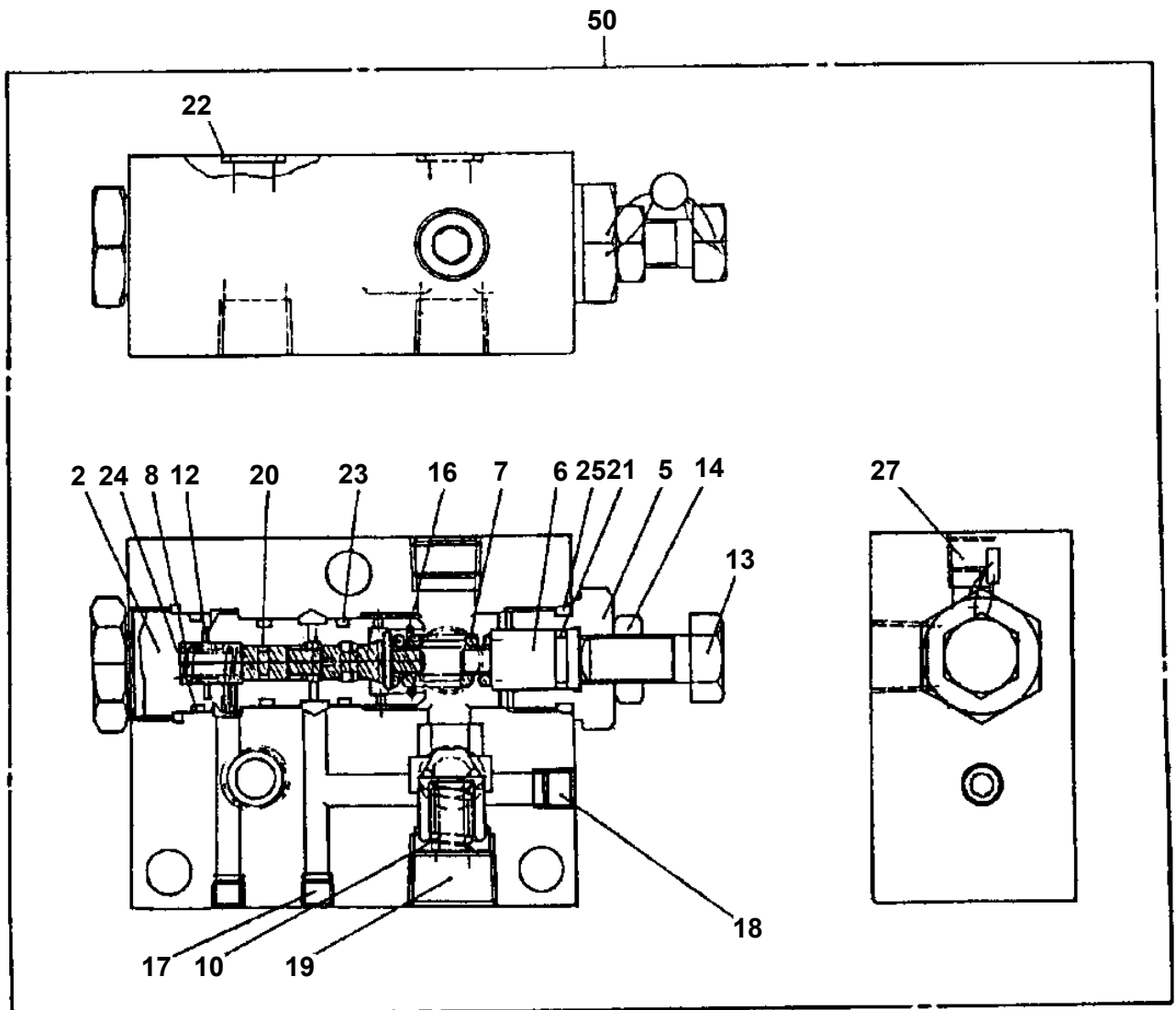
- Thank you very much for reading the preview of the manual.
- You can download the complete manual from: [www.heydownloads.com](http://www.heydownloads.com) by clicking the link below



- Please note: If there is no response to CLICKING the link, please download this PDF first and then click on it.

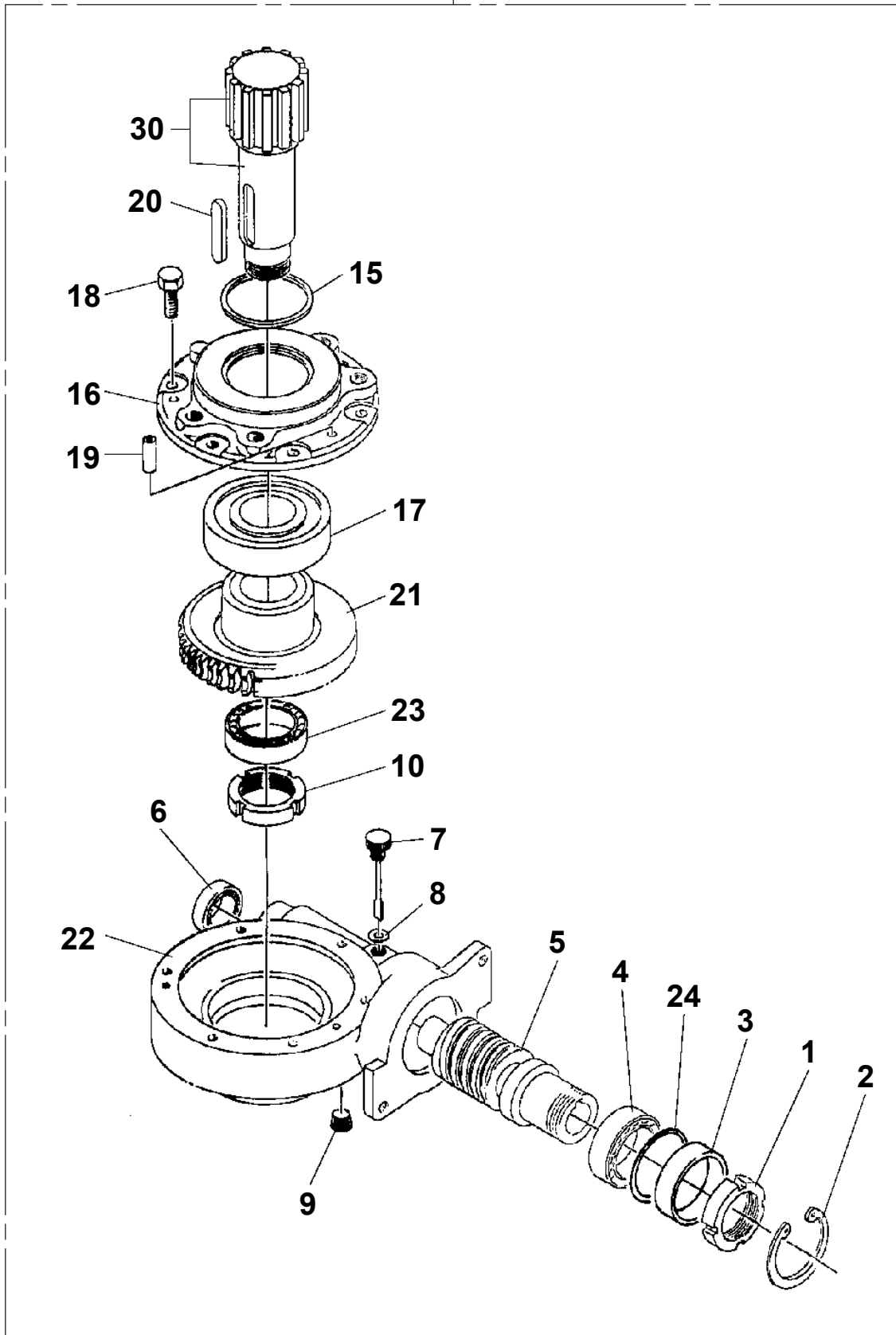
CLICK HERE TO **DOWNLOAD** THE COMPLETE MANUAL

**AW-210S-1-80211 4 BOOM,WHEEL TYPE  
PI1250039-00 VALVE,COUNTERBALANCE**

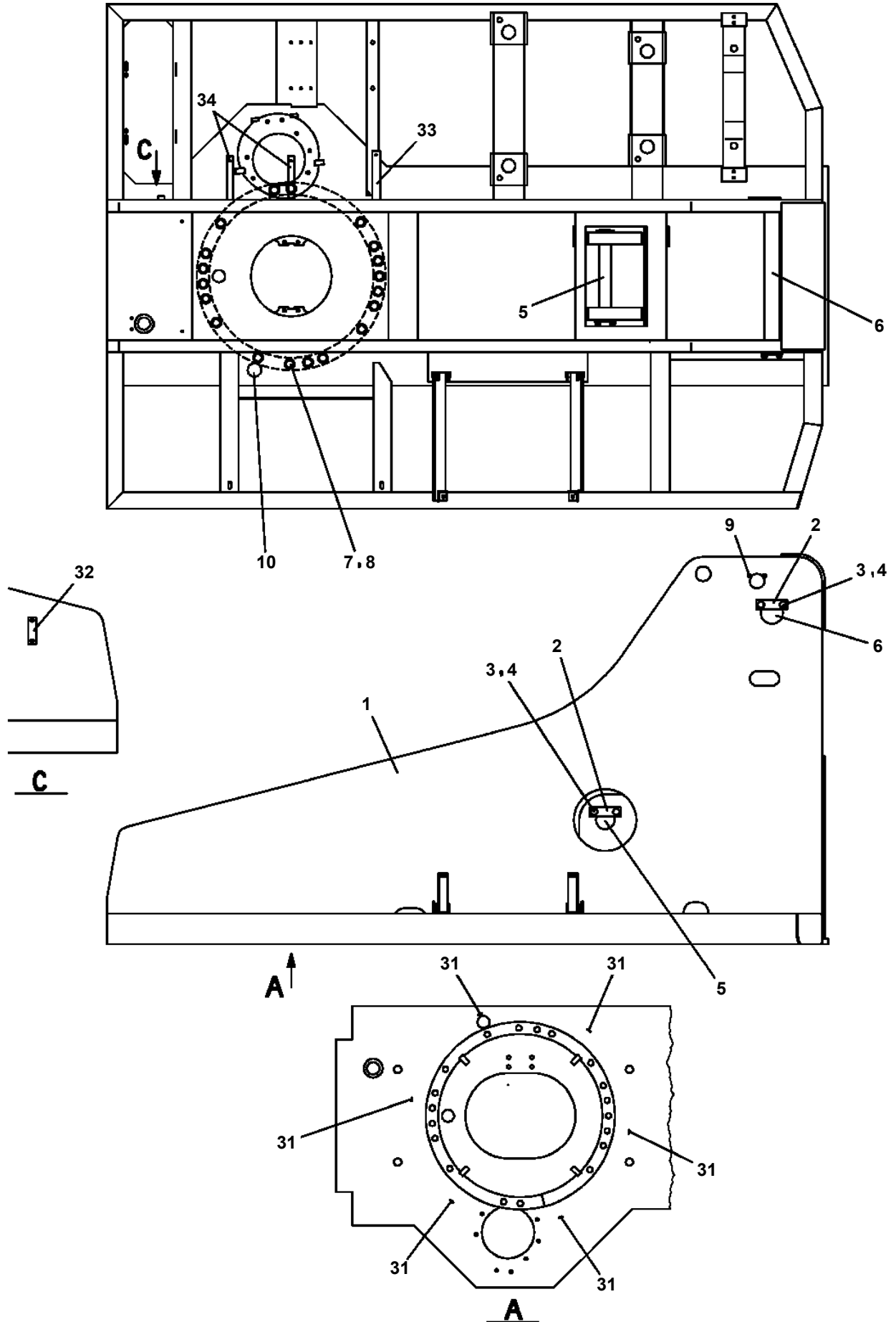


AW-210S-1-80211 4 BOOM,WHEEL TYPE  
PJ3170003-00 REDUCER,PLATFORM SWING SPEED

100

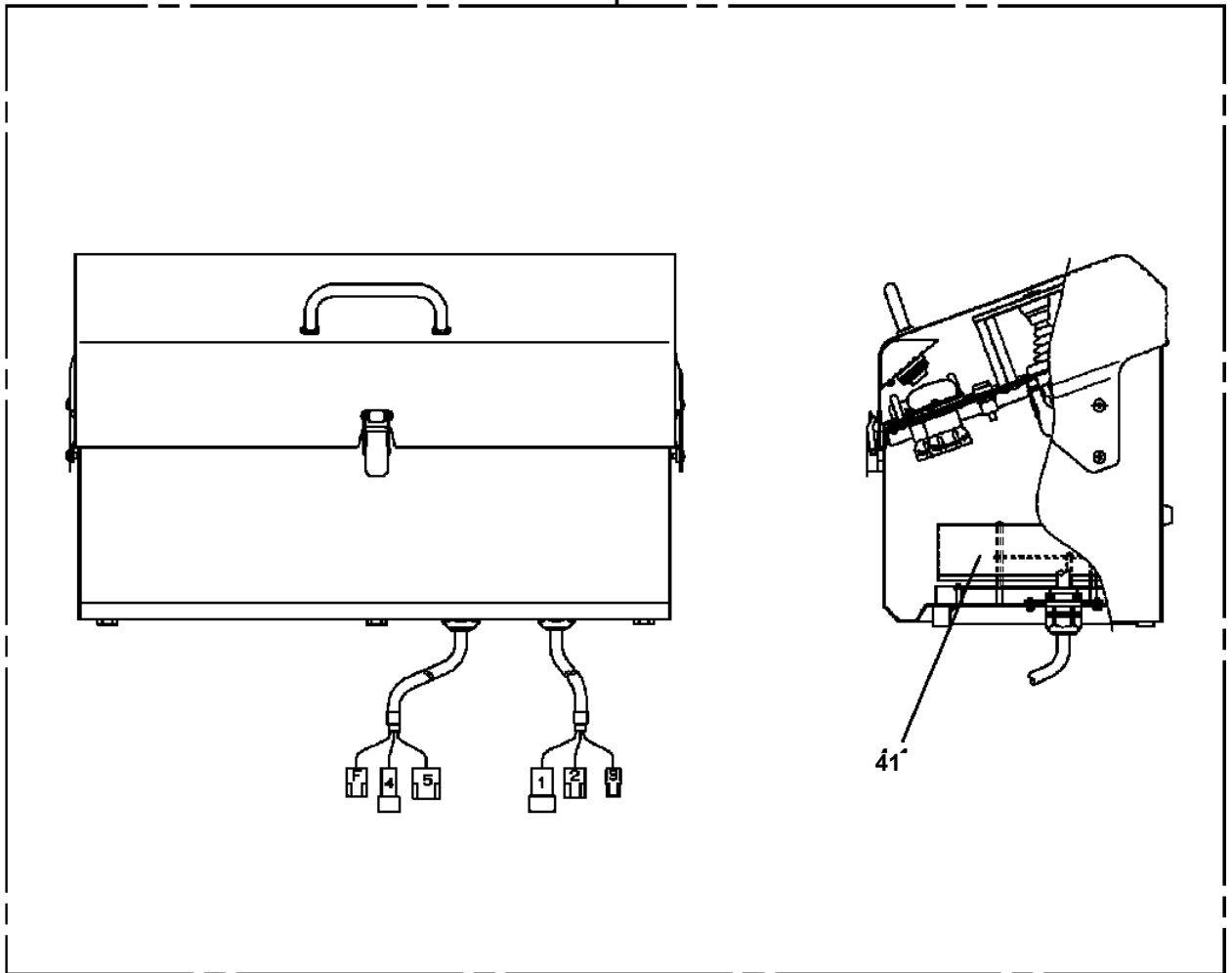


AW-210S-1-80211 4 BOOM, WHEEL TYPE  
PK1100426-01 SWING FRAME



**AW-210S-1-80211 4 BOOM,WHEEL TYPE  
PL1100220-03 BOX,OPERATION (WITH P-ROM,DATA)**

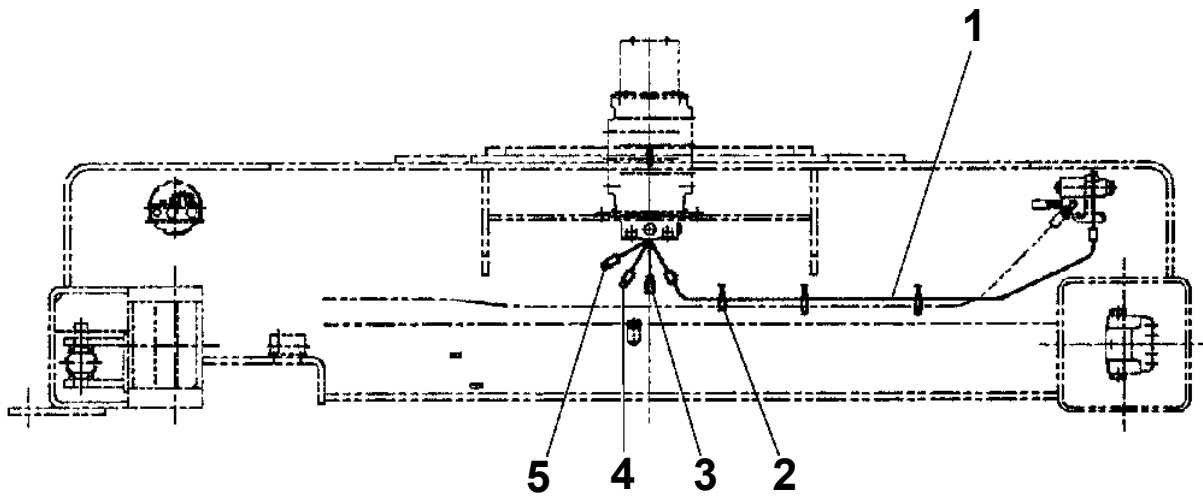
100



## AW-210S-1-80211 4 BOOM,WHEEL TYPE

Pos No.	Parts No	Parts Name	Qty	Unit	Technical Data	Serial No (Start)	Serial No (End)	Remarks	Page
1	36660025000	SHAFT	1						
3	80500006206	BEARING,BALL	1						
4	36660025021	COVER (OIL SEAL)	1						
5	36660025140	SEAL,OIL	1						
6	36663485110	RING,RETAINING	1		R72				
7	80720110020	PIN,SPRING	1		10X20				
8	36660025030	PLATE (CAM)	1						
9	80500006203	BEARING,BALL	1						
10	36660025040	O-RING	1		S112				
11	36660025051	COVER (BOTTOM)	1						
12	18335116540	WASHER,SPRING	6		M10				
13	90171110035	BOLT	6		M10X35				
16	14125151020	KEY	1						
17	91001206500	O-RING	1		1A G65				
18	80316030040	PLUG	1		PT1/4				
19	36660125050	PLUG	1		PT1/4				
20	36660025060	BARREL,CYLINDER	1						
21	36660125060	PLUG	2		PF3/8				
43	36660025090	SEAT,SPRING	5						
44	36660025100	SPRING (PLUNGER)	5						
46	12645103171	SPRING (CENTER)	1						
47	14125151300	RING,RETAINING	1						
100	36660020000	MOTOR,OIL	1						

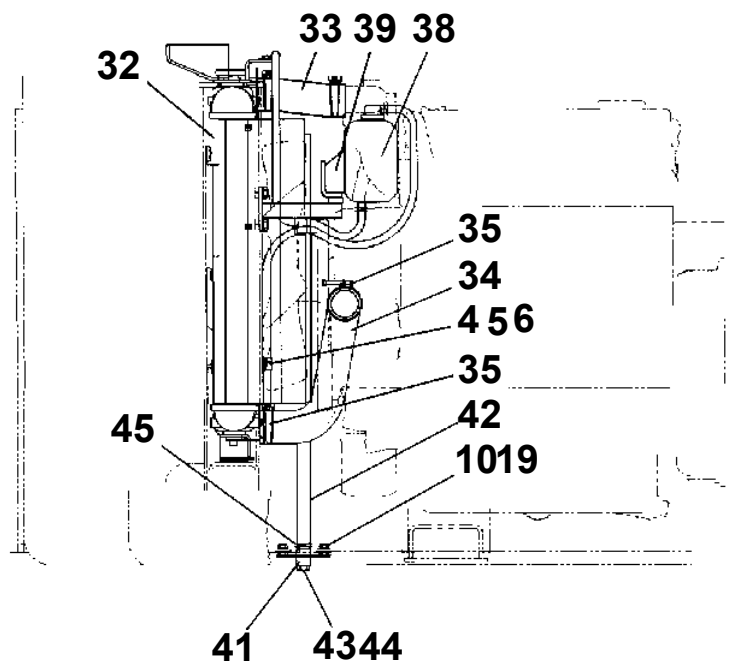
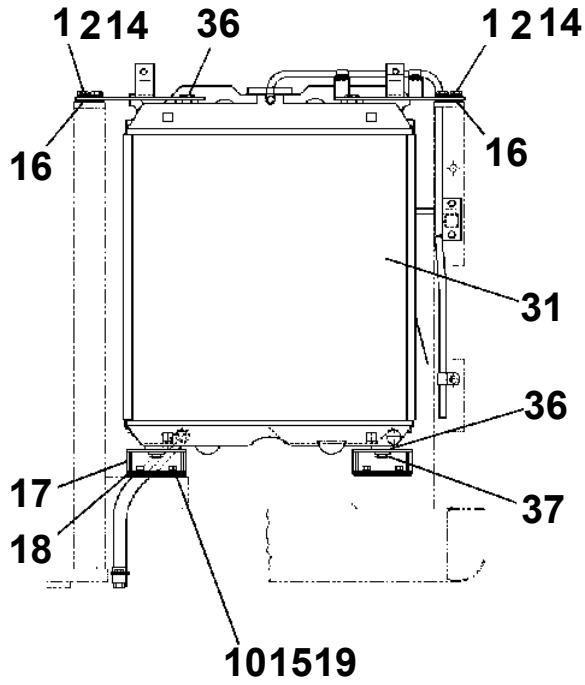
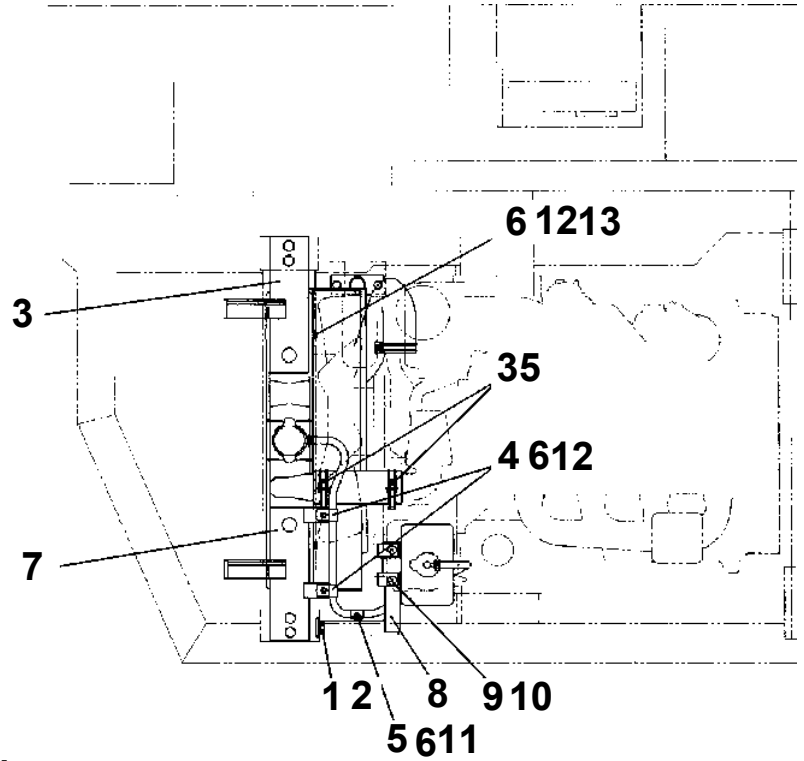
**AW-210S-1-80211 4 BOOM,WHEEL TYPE  
PN1012971-00 ELEC.ASSY (FRAME)**



## AW-210S-1-80211 4 BOOM,WHEEL TYPE

Pos No.	Parts No	Parts Name	Qty	Unit	Technical Data	Serial No (Start)	Serial No (End)	Remarks
1	44350733100	SWITCH ASSY	5					
2	44350743100	PLATE	2					
3	44350743200	SUPPORT	1					
4	44350743300	HARNES	1					
5	37001200380	SPRING	5					
6	90101208060	BOLT	5		M8X60			
7	90201200800	NUT	5		M8			
8	90172104030	BOLT,HEXAGON SOCKET	10		M4X30			
9	90302040401	WASHER,SPRING	10		4			
10	90303070401	WASHER,PLAIN	10		4			
11	90203201800	NUT	3		M18			
12	82100002037	CLAMP	1		WE10			
13	82100002010	CLAMP	1		WR15			
14	90101206008	BOLT	3		M6X8			
15	90302040601	WASHER,SPRING	3		6			
16	91810132530	FASTENER	5					
17	90171110030	BOLT	2		M10X30			
18	90302041001	WASHER,SPRING	2		10			
19	44350743400	SUPPORT	1					
20	44350743500	SUPPORT	1					
21	90203201400	NUT	2		M14			
22	44350743600	SUPPORT	1					
23	82100002002	CLAMP	2		WR6			
31	82104122132	SWITCH,LIMIT	5					

**AW-210S-1-80211 4 BOOM,WHEEL TYPE  
PQ1020076-00 RADIATOR**



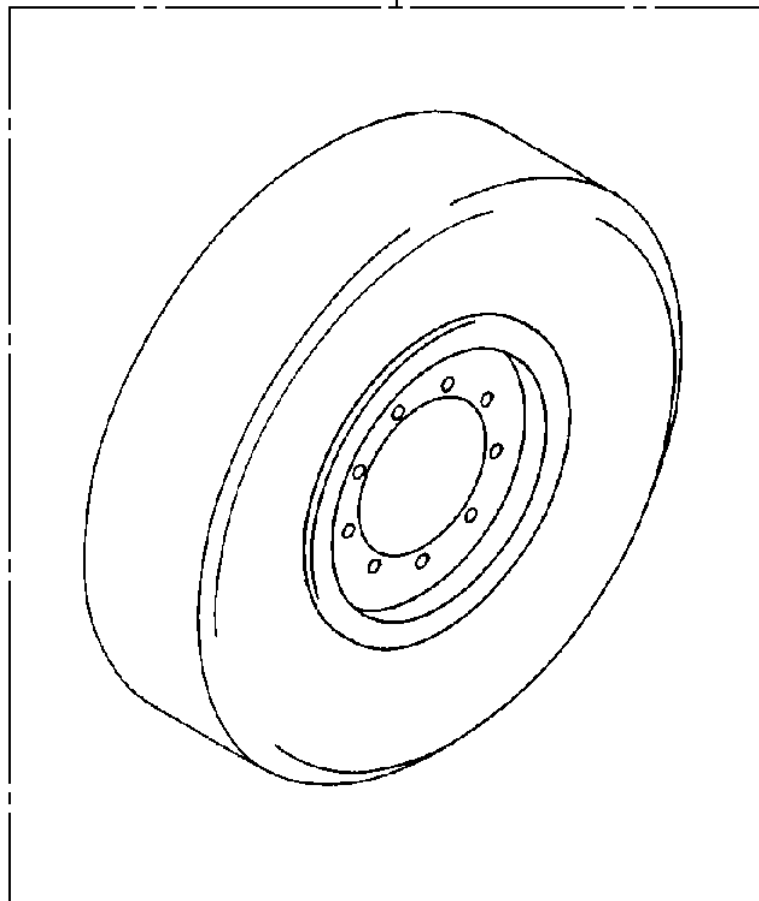
# AW-210S-1-80211 4 BOOM,WHEEL TYPE

Pos No.	Parts No	Parts Name	Qty	Unit	Technical Data	Serial No (Start)	Serial No (End)	Remarks
57	36102835100	CAP (TANK,FUEL WITH KEY)	1					
58	36101875030	COVER	1					
59	36101875040	PACKING	1					
61	36101875050	BOLT (WITH WASHER)	5		M5X10			
63	36101875060	STRAINER ASSY	1					
100	36101520000	TANK,FUEL (200L)	1					

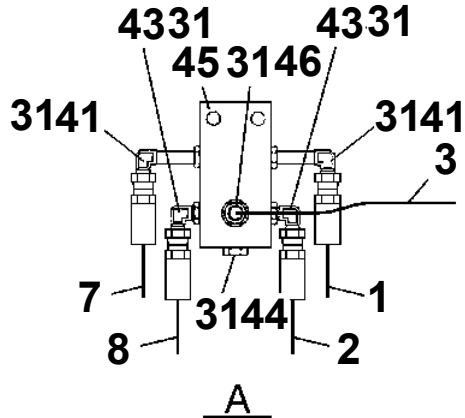
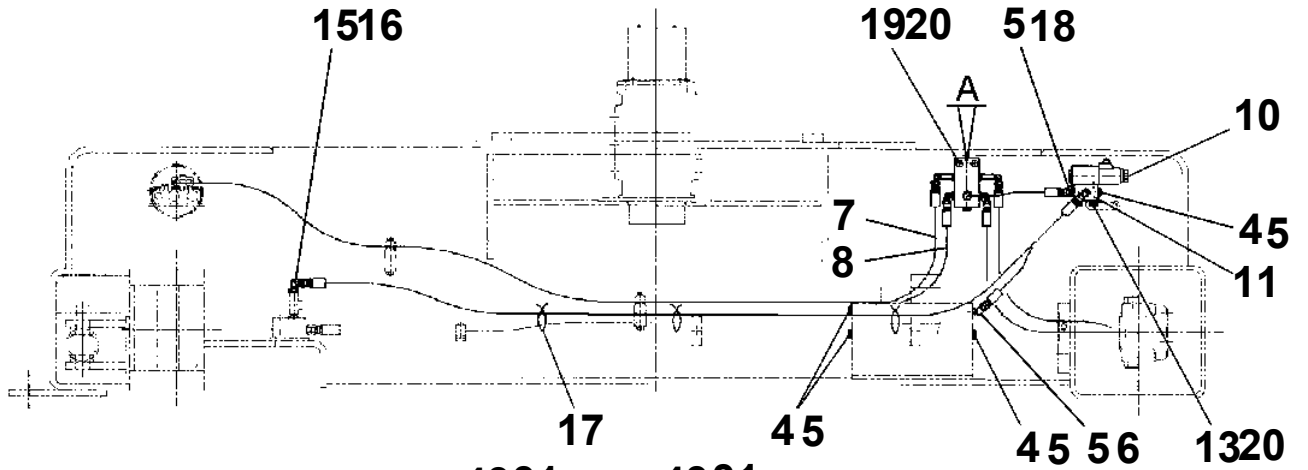
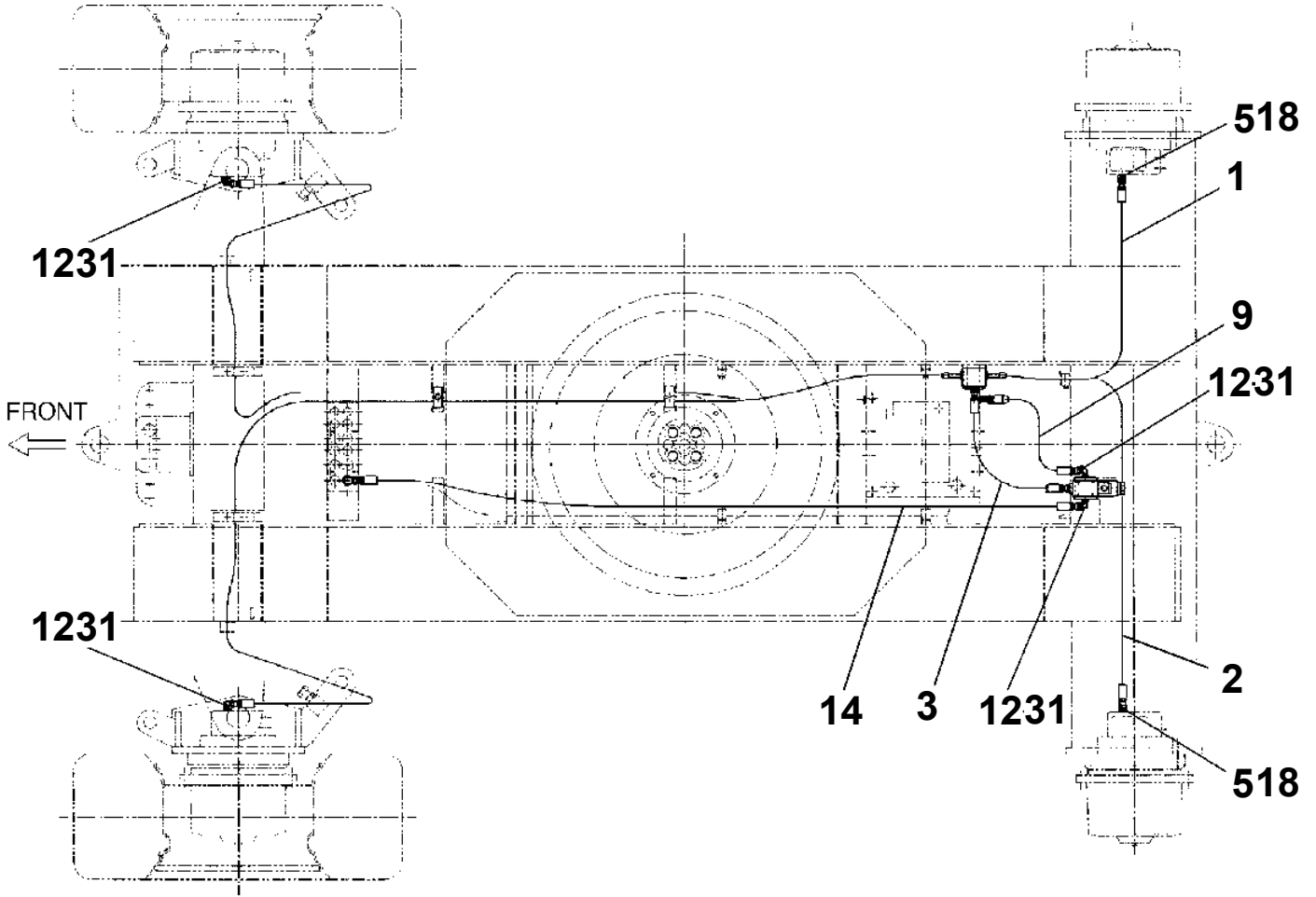


**AW-210S-1-80211 4 BOOM,WHEEL TYPE  
PR2150008-00 TIRE & WHEEL**

**10**



**AW-210S-1-80211 4 BOOM, WHEEL TYPE  
PT1200100-00 PIPING, BRAKE**



# AW-210S-1-80211 4 BOOM,WHEEL TYPE

Pos No.	Parts No	Parts Name	Qty	Unit	Technical Data	Serial No (Start)	Serial No (End)	Rem
1	42460015010	BAG,TOOL	1					
2	91991510003	HEXAGON BARWRENCH (G3)	1					
3	91991510004	HEXAGON BARWRENCH (G4)	1					
4	91991510005	HEXAGON BARWRENCH (G5)	1					
5	91991510006	HEXAGON BARWRENCH (G6)	1					
6	91991510008	HEXAGON BARWRENCH (G8)	1					
7	91991510010	HEXAGON BARWRENCH (G10)	1					
8	91991441311	SPANNER	1		13X11			
50	42473931000	TOOLS	1					

## AW-210S-1-80211 4 BOOM,WHEEL TYPE

Pos No.	Parts No	Parts Name	Qty	Unit	Technical Data	Serial No (Start)	Serial No (End)	Remarks	Pages
1	44440440100	STEP	1						
2	44440440200	STEP	1						
3	44440510100	GUARD	1						
4	44440440400	GUARD	1						
5	90101210025	BOLT	11		M10X25				
6	90302041001	WASHER,SPRING	19		10				
7	90201201000	NUT	4		M10				
8	90101210020	BOLT	8		M10X20				
9	37000549940	PLATE	15		T=3.2				

CLICK HERE TO **DOWNLOAD** THE COMPLETE MANUAL

- Thank you very much for reading the preview of the manual.
- You can download the complete manual from: [www.heydownloads.com](http://www.heydownloads.com) by clicking the link below



- Please note: If there is no response to CLICKING the link, please download this PDF first and then click on it.

CLICK HERE TO **DOWNLOAD** THE COMPLETE MANUAL