

AT-80-1 42006100012 UPPER

PD2000027-01 SWING UNIT

PG2000138-00 BOOM UNIT

PJ3000376-00 BUCKET SYSTEM

PK2000599-00 FRAME UNIT

PO1000149-00 INDICATION PLATES

PW1000118-00 ACCESSORIES & TOOLS

PY1000541-03 OPTIONS,1

PY2000111-01 OPTIONS,2

ASSEMBLY

CLICK HERE TO **DOWNLOAD** THE COMPLETE MANUAL

- Thank you very much for reading the preview of the manual.
- You can download the complete manual from: www.heydownloads.com by clicking the link below



- Please note: If there is no response to CLICKING the link, please download this PDF first and then click on it.

CLICK HERE TO **DOWNLOAD** THE COMPLETE MANUAL

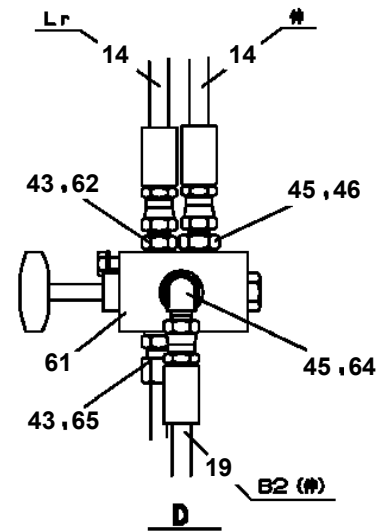
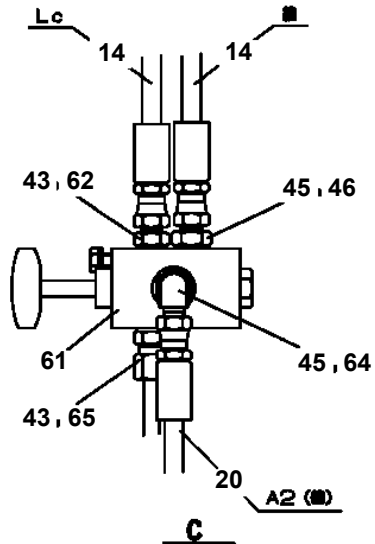
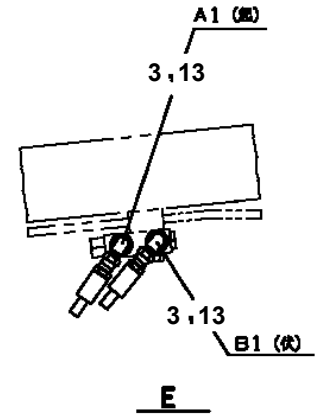
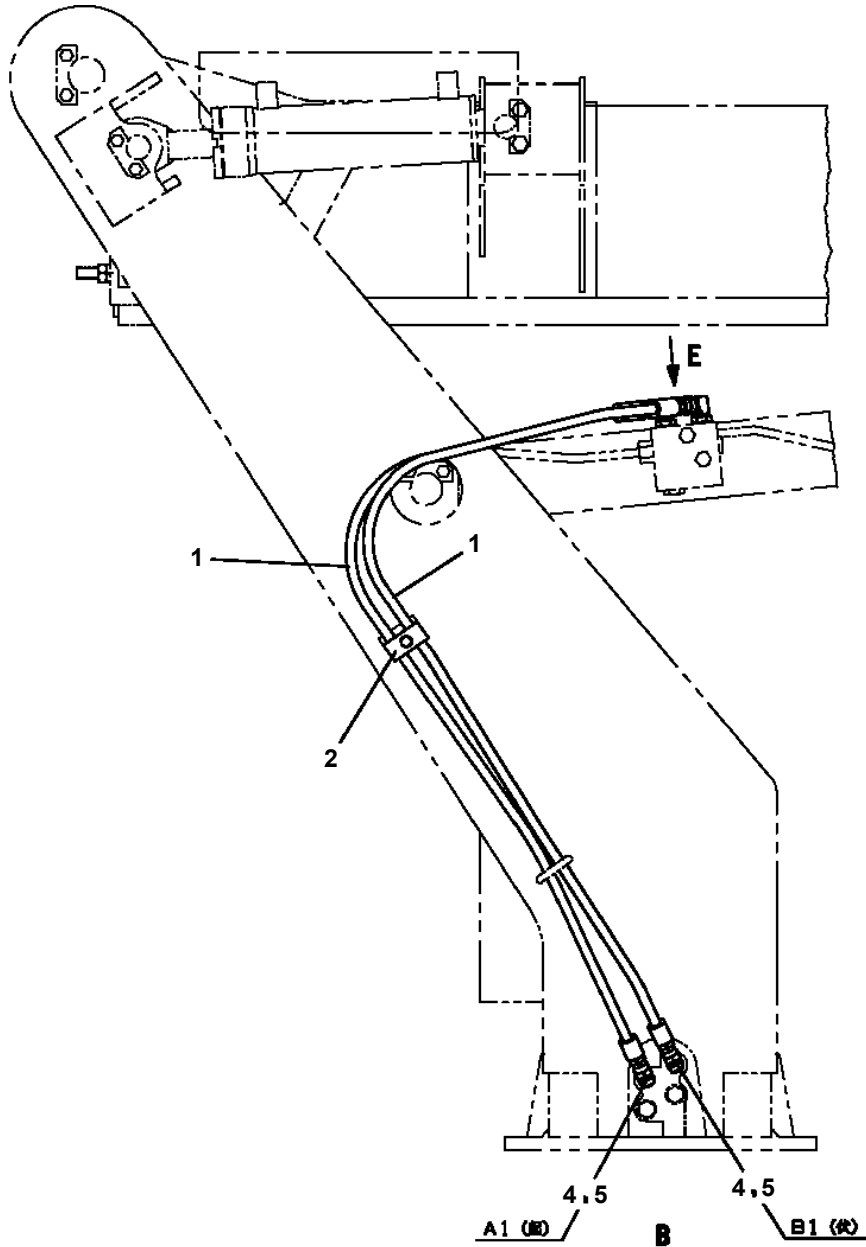
AT-80-1 42006100012 UPPER

Pos No.	Parts No	Parts Name	Qty	Unit	Technical Data	Serial No (Start)	Serial No
1	(*****)	PLATE ASSY,NAME (VEHICLE)	1				
2	(*****)	PLATE ASSY,NAME (LOWER CONTROL)	1				
3	(*****)	PLATE ASSY,NAME (EMERGENCY CONTROL)	1				
4	(*****)	MARKING (SWING)	1				

AT-80-1 42006100012 UPPER

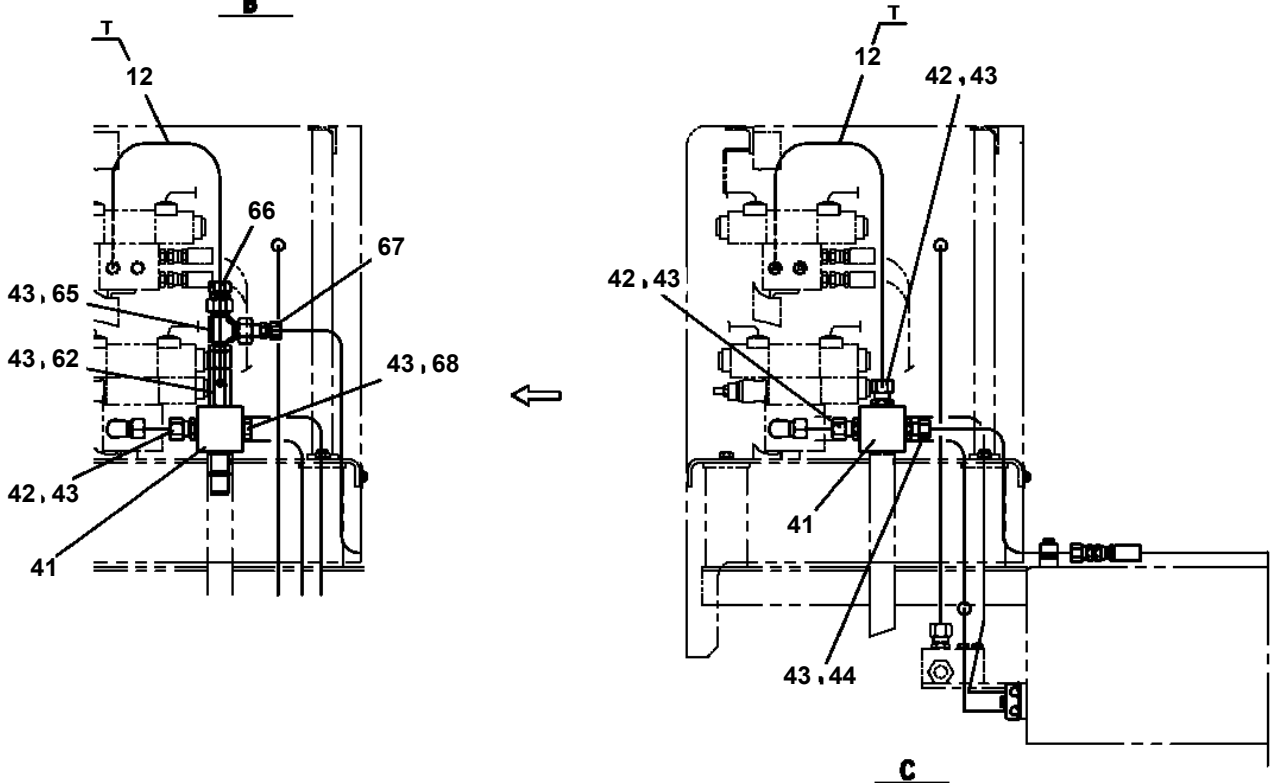
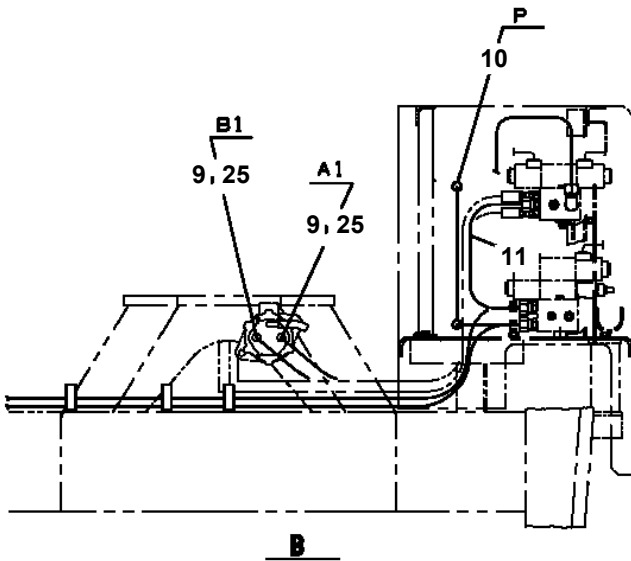
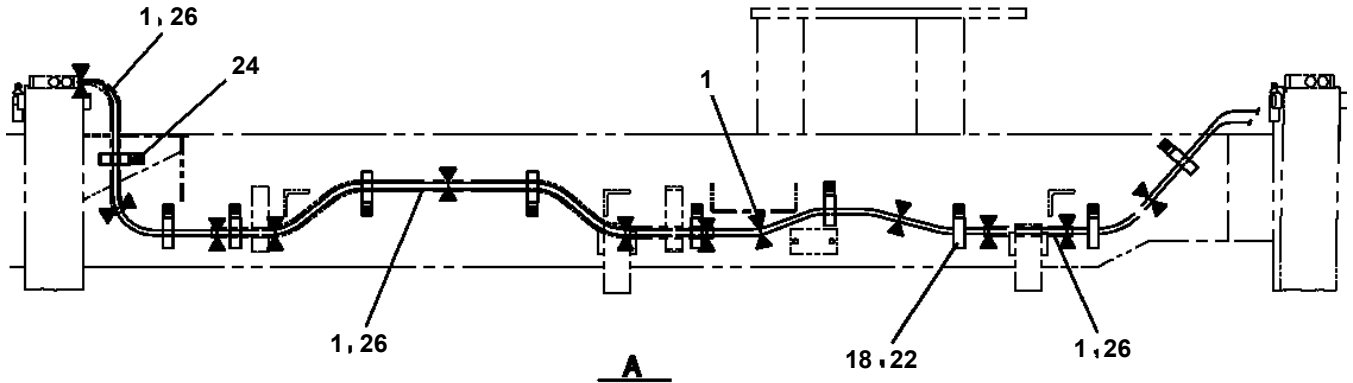
Pos No.	Parts No	Parts Name	Qty	Unit	Technical Data	Serial No (Start)	Serial No (End)	Rema
2	36101895020	BREATHER ASSY (OB-10B)	1					
3	36100035011	GAUGE ASSY	1		L=180			
4	31660005030	PLUG	1					
10	36101985010	GASKET	1					
21	53156005010	ELEMENT (OB-10T & OB-10B)	1					
22	36101895030	RETAINER ASSY	1					
50	36102680001	TANK,OIL	1					

**AT-80-1 42006100012 UPPER
PB1400344-01 PIPING,UPPER**

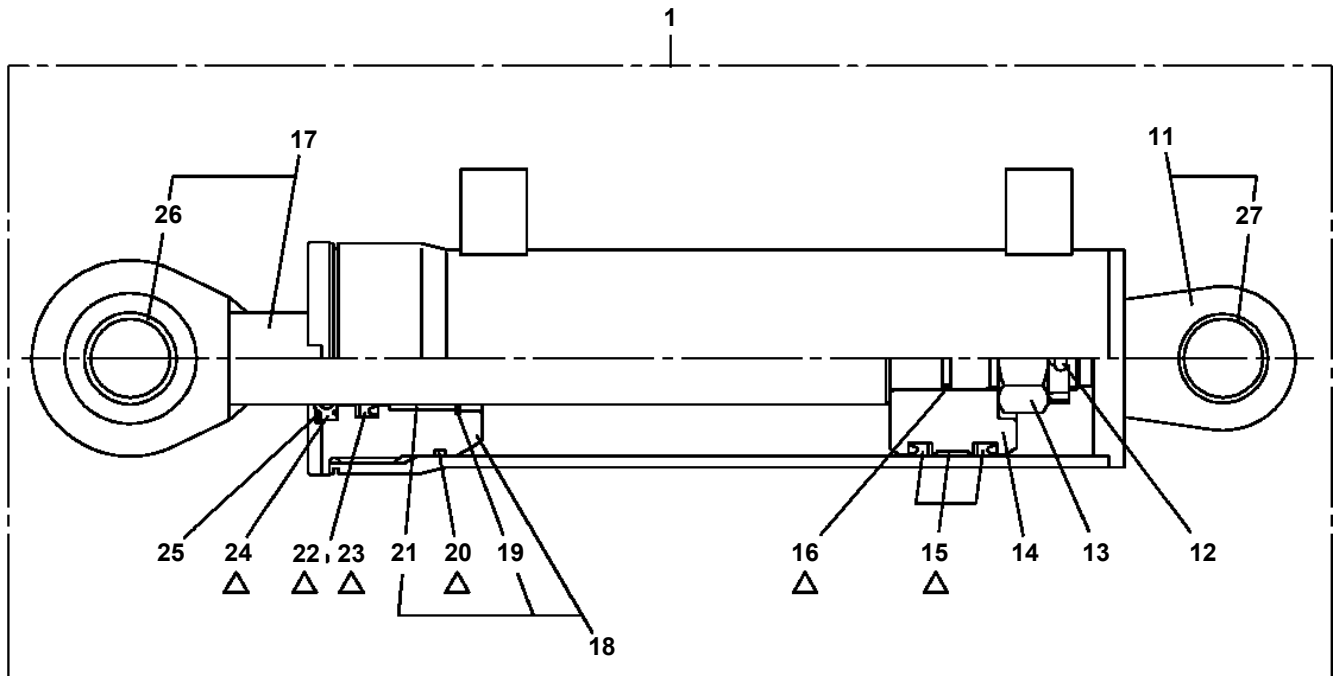
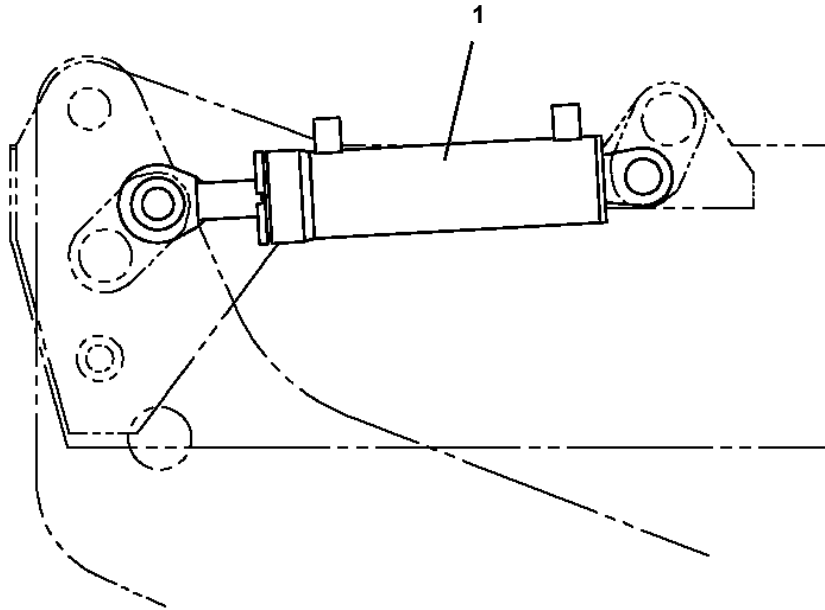


AT-80-1 42006100012 UPPER
PC1200454-03 PIPING,OUTRIGGER

→ FRONT

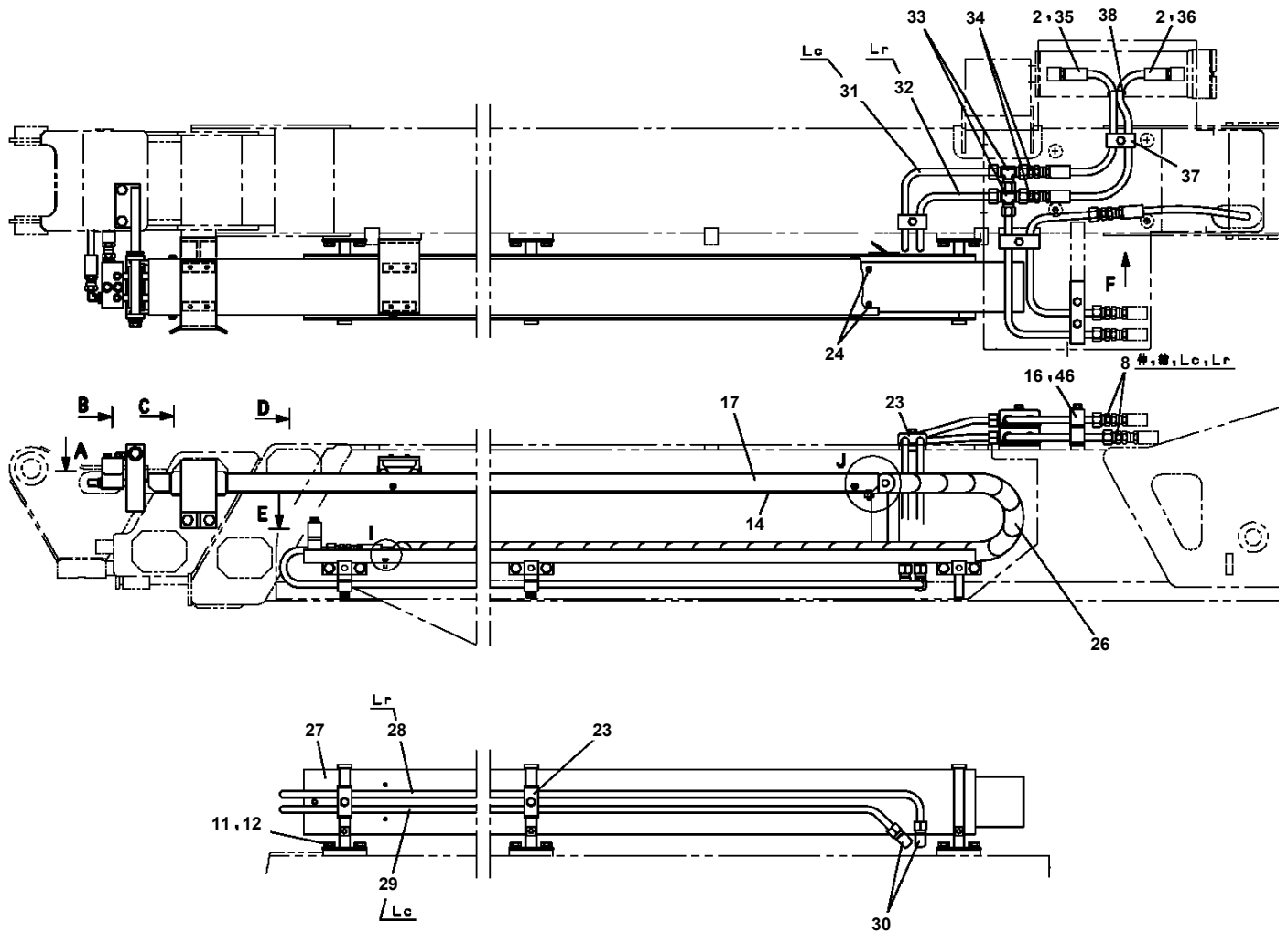


**AT-80-1 42006100012 UPPER
PE1050061-04 CYLINDER,LEVELING (LOWER)**

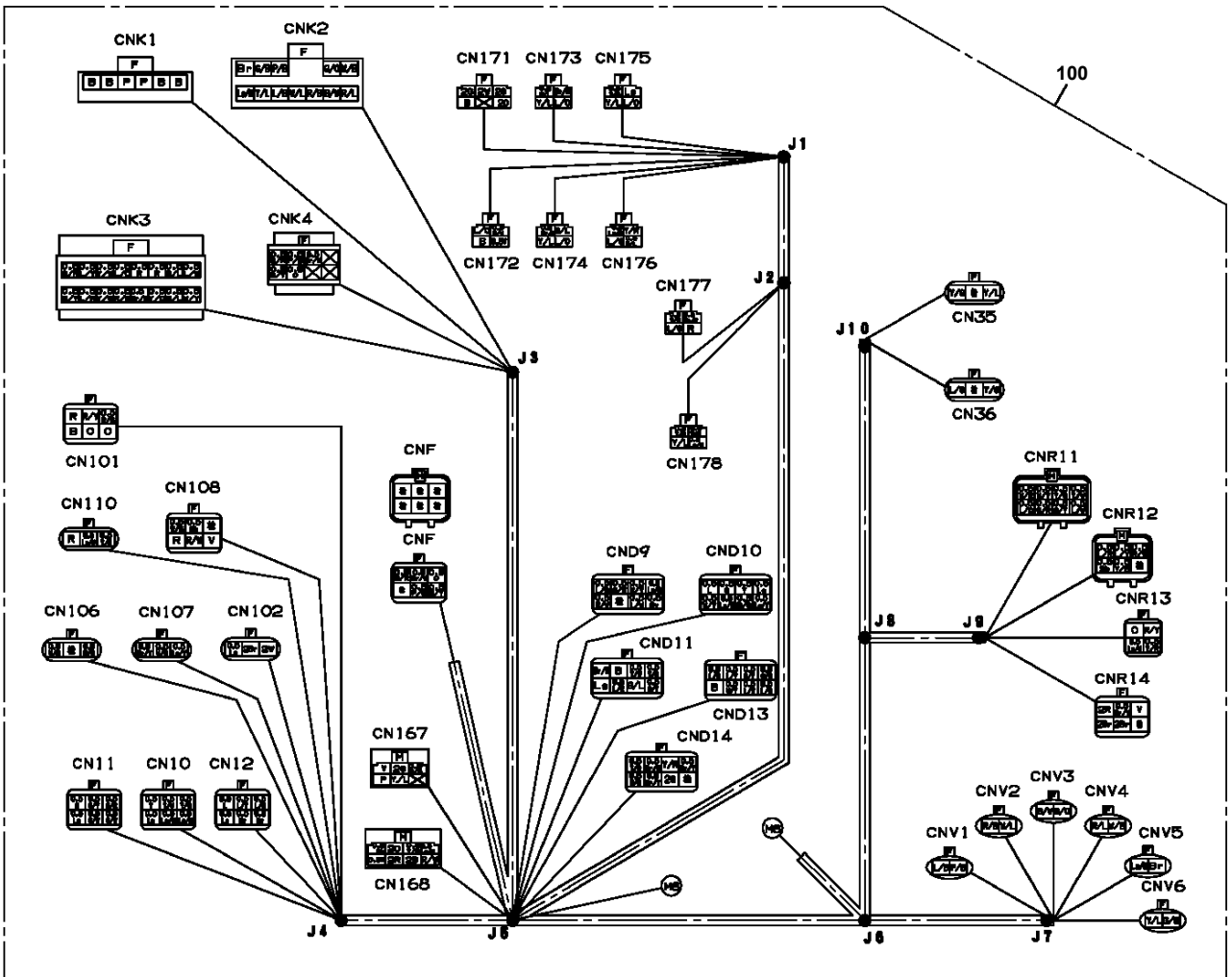


Δ:PACKING SET KEY NO.40 (KEY NO.15,16,20,22,23,24)

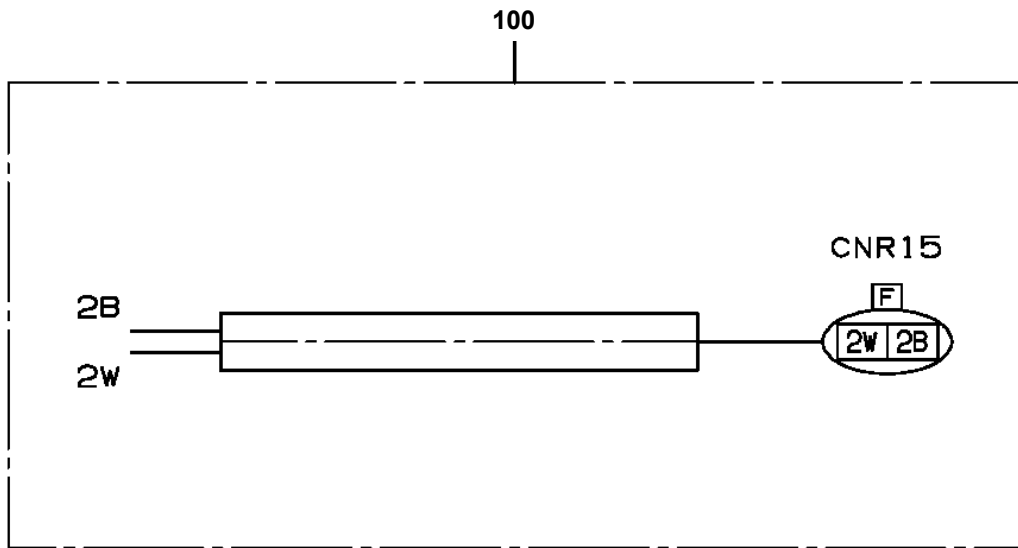
AT-80-1 42006100012 UPPER
PG1220076-01 PIPING,BOOM



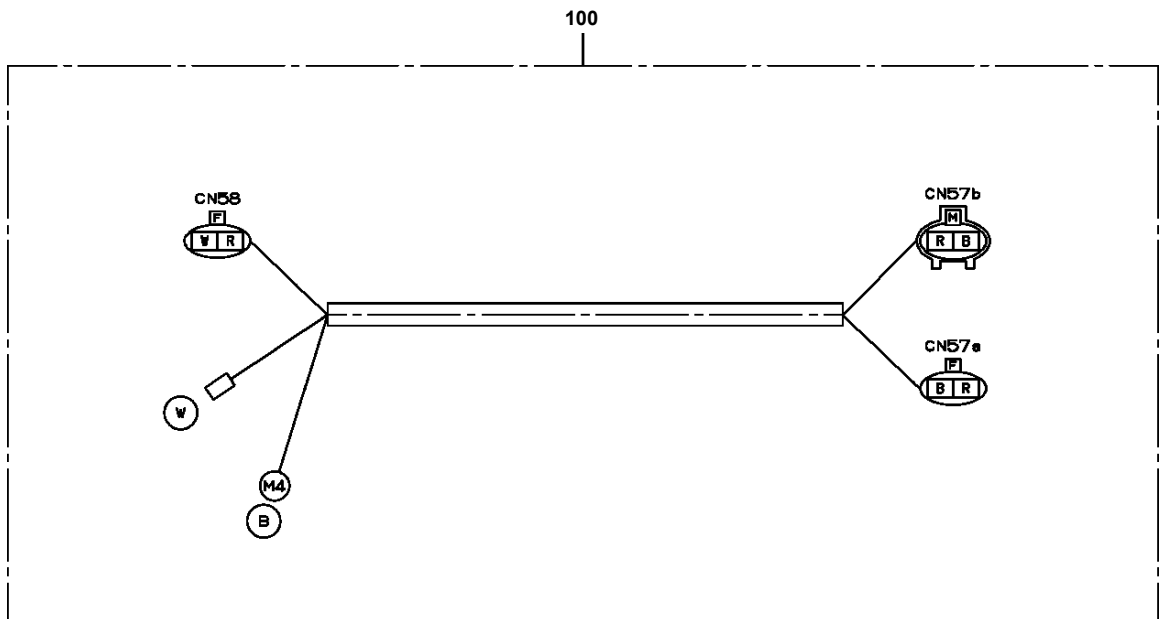
AT-80-1 42006100012 UPPER
PH5033087-00 HARNESS



AT-80-1 42006100012 UPPER
PH5033094-00 HARNESS



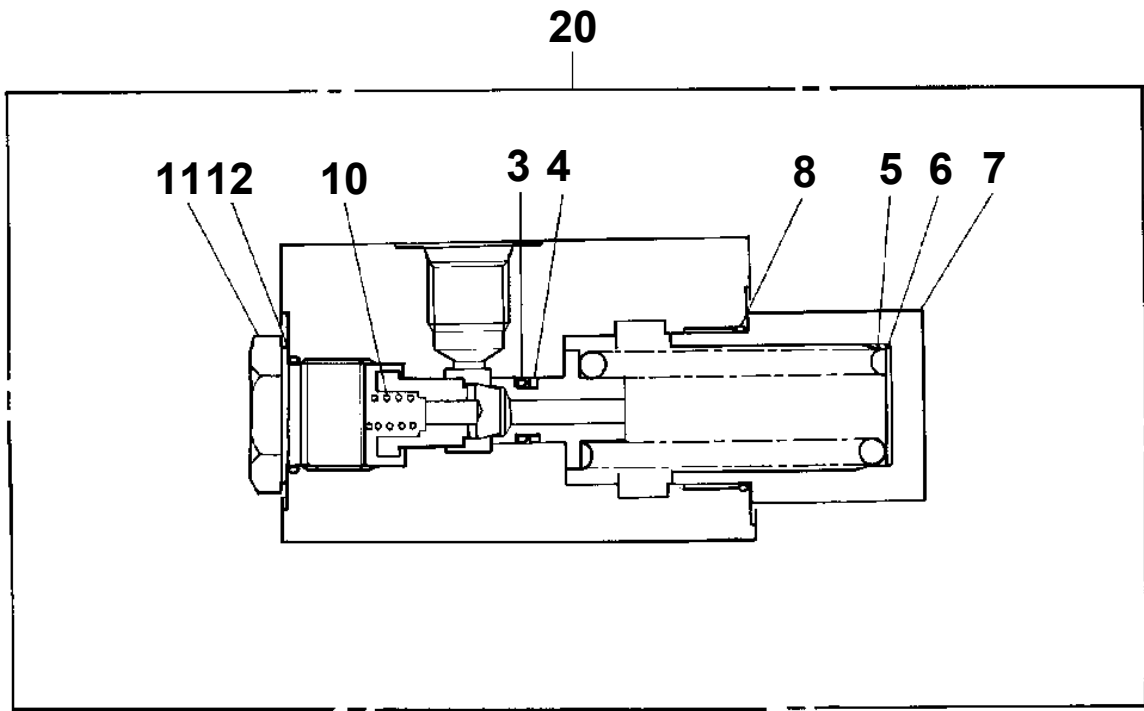
AT-80-1 42006100012 UPPER
PH5033100-00 HARNESS



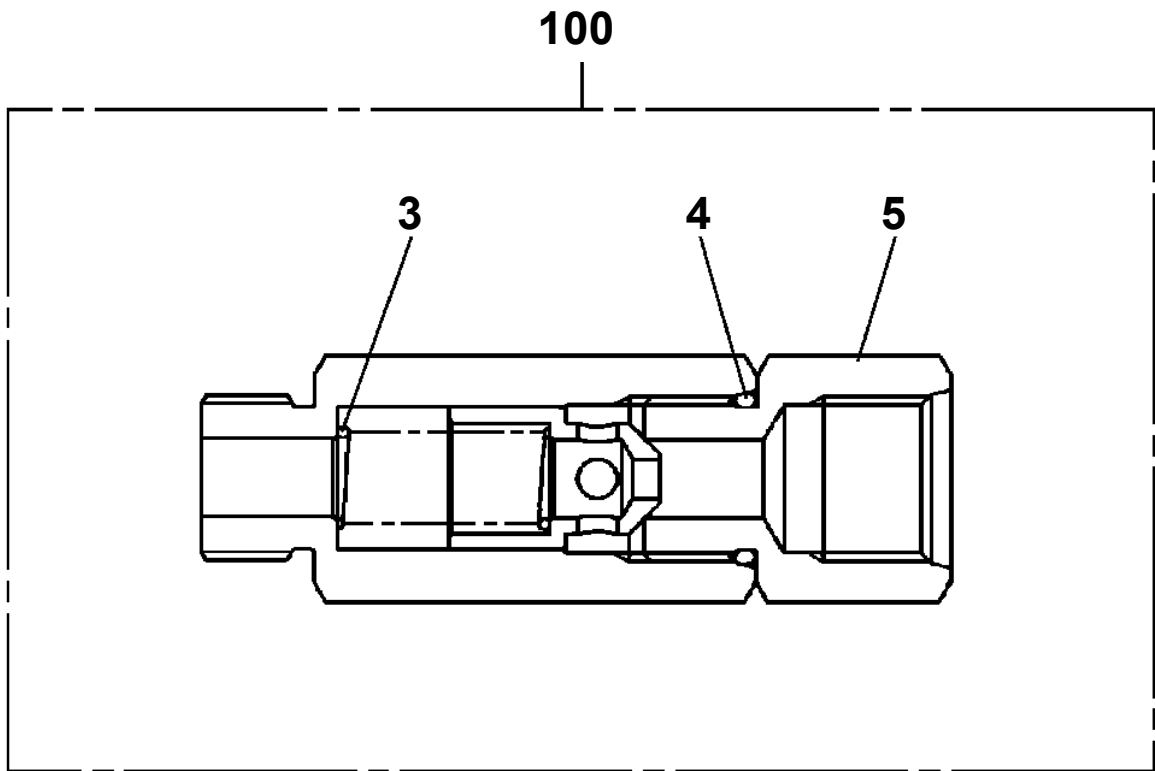
**AT-80-1 42006100012 UPPER
PI1100007-00 VALVE,RELIEF**

Assembly Name VALVE, RELIEF

PI110-0007-00



**AT-80-1 42006100012 UPPER
PI1140216-00 VALVE,CHECK**



CLICK HERE TO **DOWNLOAD** THE COMPLETE MANUAL

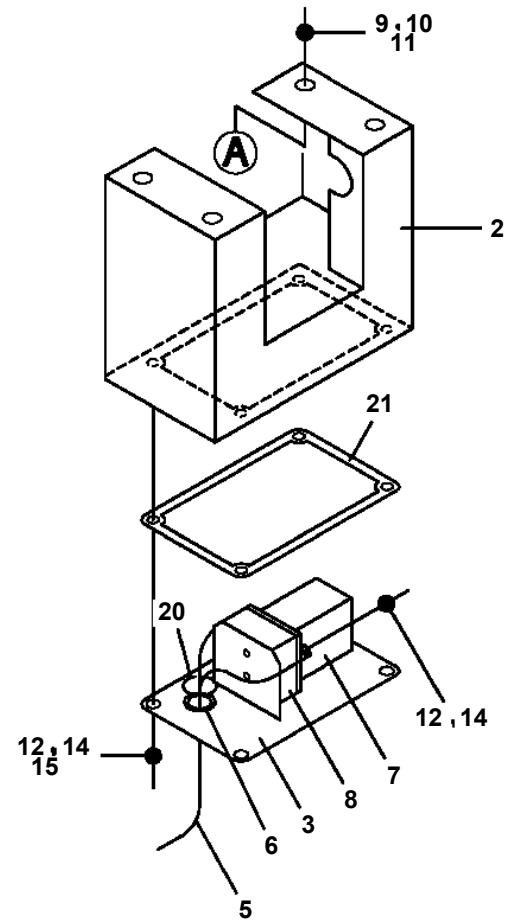
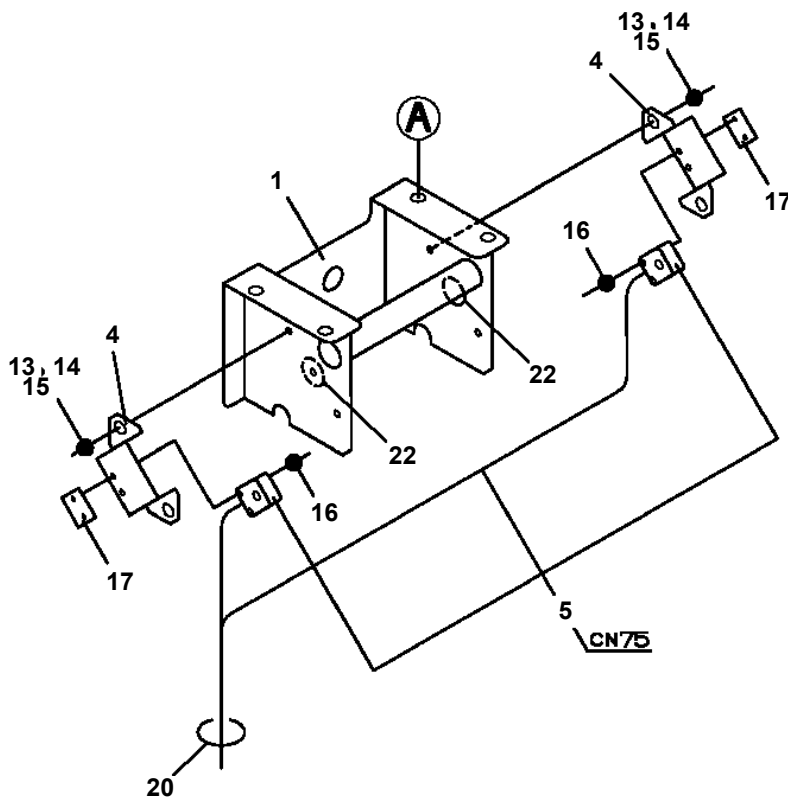
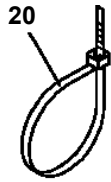
- Thank you very much for reading the preview of the manual.
- You can download the complete manual from: www.heydownloads.com by clicking the link below



- Please note: If there is no response to CLICKING the link, please download this PDF first and then click on it.

CLICK HERE TO **DOWNLOAD** THE COMPLETE MANUAL

AT-80-1 42006100012 UPPER PI5170043-00 INTERLOCK ASSY



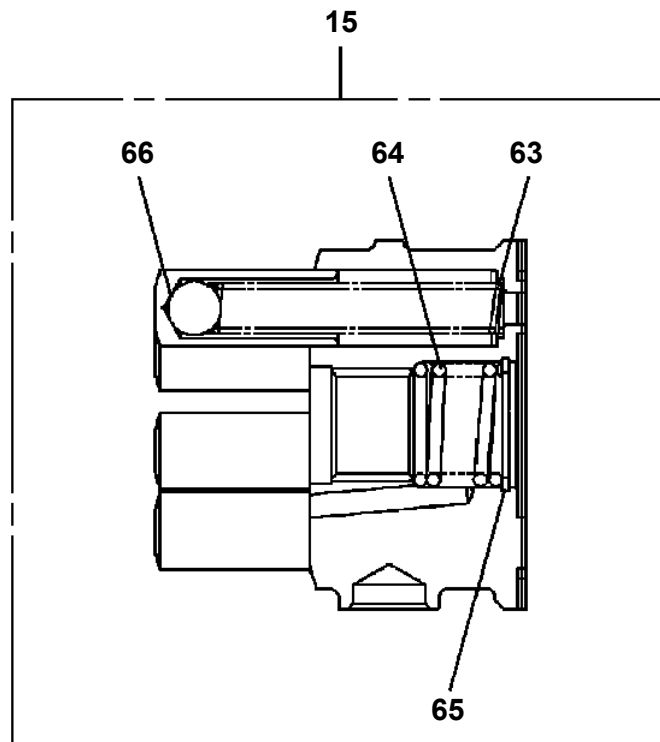
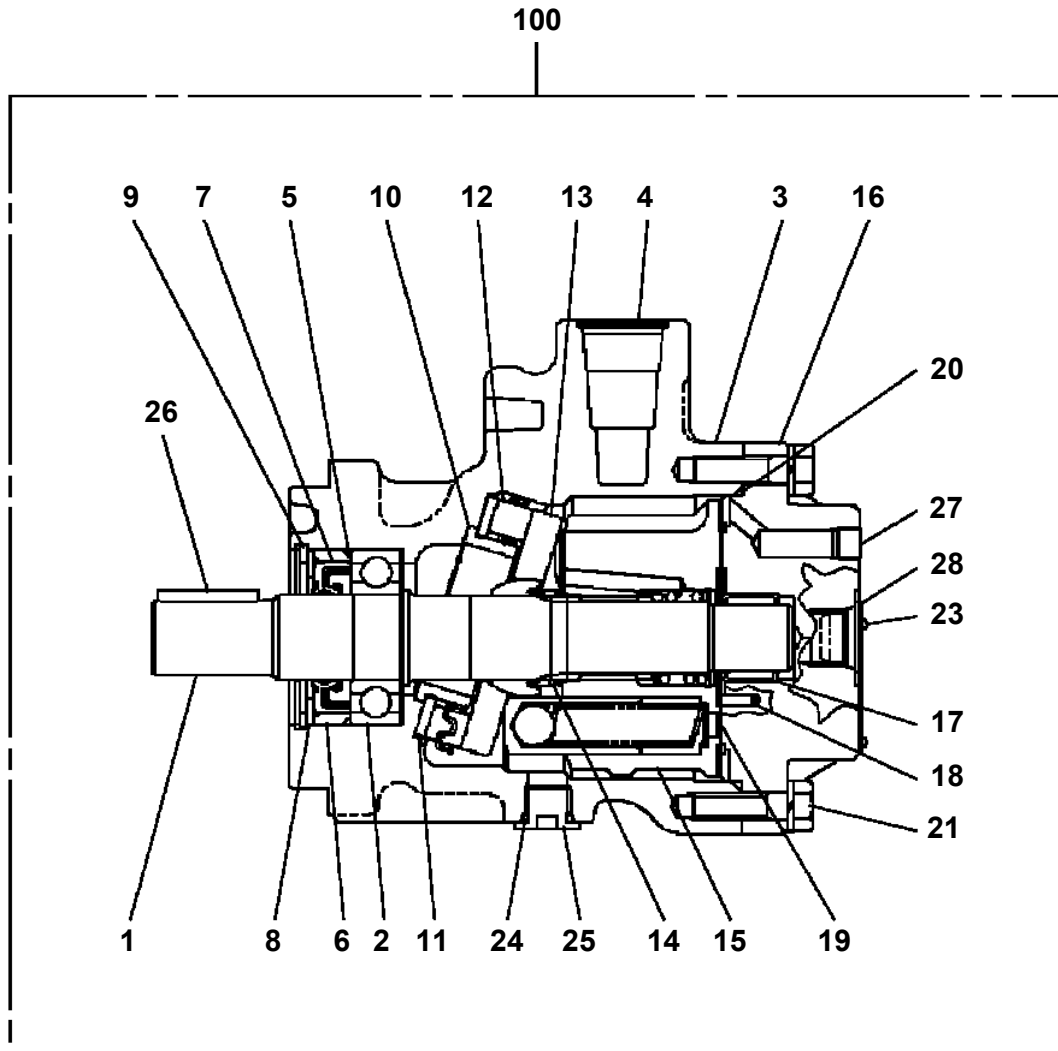
AT-80-1 42006100012 UPPER

Pos No.	Parts No	Parts Name	Qty	Unit	Technical Data	Serial No (Start)	Serial No (End)	Remarks	Pages
5	31342027550	PLATE	39						
21	31342027540	LINK ASSY	53						
22	31342027560	FITTING ASSY	1						
23	31342027570	FITTING ASSY	1						
100	31342024500	BEAR,CABLE	1						

AT-80-1 42006100012 UPPER

Pos No.	Parts No	Parts Name	Qty	Unit	Technical Data	Serial No (Start)	Serial No (End)	Remarks	Pages
1	42442230100	COVER	1						
2	31342020601	COVER	1						
3	90186208010	BOLT,FLANGE	5		M8X10				
4	90101208016	BOLT	11		M8X16				
5	90302040801	WASHER,SPRING	11		8				
6	37000506550	PLATE	11		T=1.6				
7	82100000952	GROMMET	6						

AT-80-1 42006100012 UPPER
PM5230003-00 MOTOR,OIL



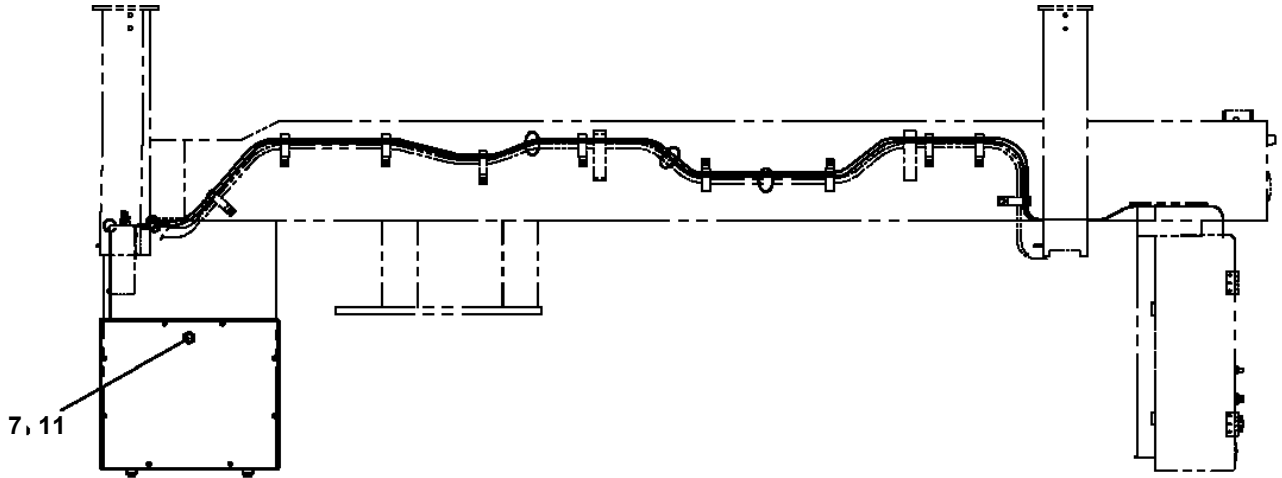
AT-80-1 42006100012 UPPER

Pos No.	Parts No	Parts Name	Qty	Unit	Technical Data	Serial No (Start)	Serial No (End)
1	36140540000	DETECTOR,ANGLE	1				
2	90101206016	BOLT	2		M6X16		
3	90302040601	WASHER,SPRING	2		6		
4	42479160100	SUPPORT	1				
5	90101208016	BOLT	2		M8X16		
6	90302040801	WASHER,SPRING	2		8		
7	90303070801	WASHER,PLAIN	2		8		
8	31654323401	RELAY ASSY	1				
9	80172303008	SCREW,MACHINE	2		M3X8		
10	90302040301	WASHER,SPRING	2		3		
11	90303070301	WASHER,PLAIN	2		3		
12	42350080201	BUZZER ASSY (WITH CONNECTOR)	1				
13	80161302510	SCREW,MACHINE	2		M2.5X10		
14	90302040251	WASHER,SPRING	2		2.5		

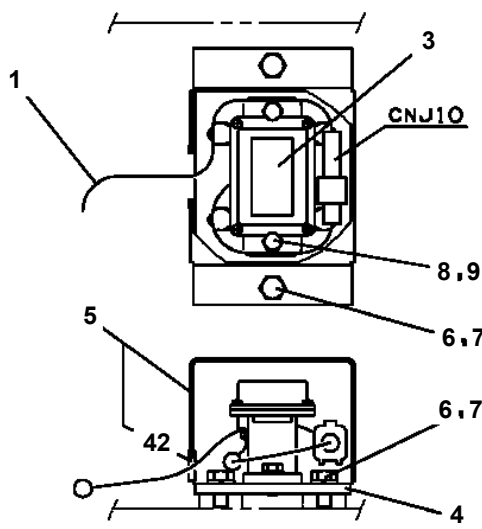
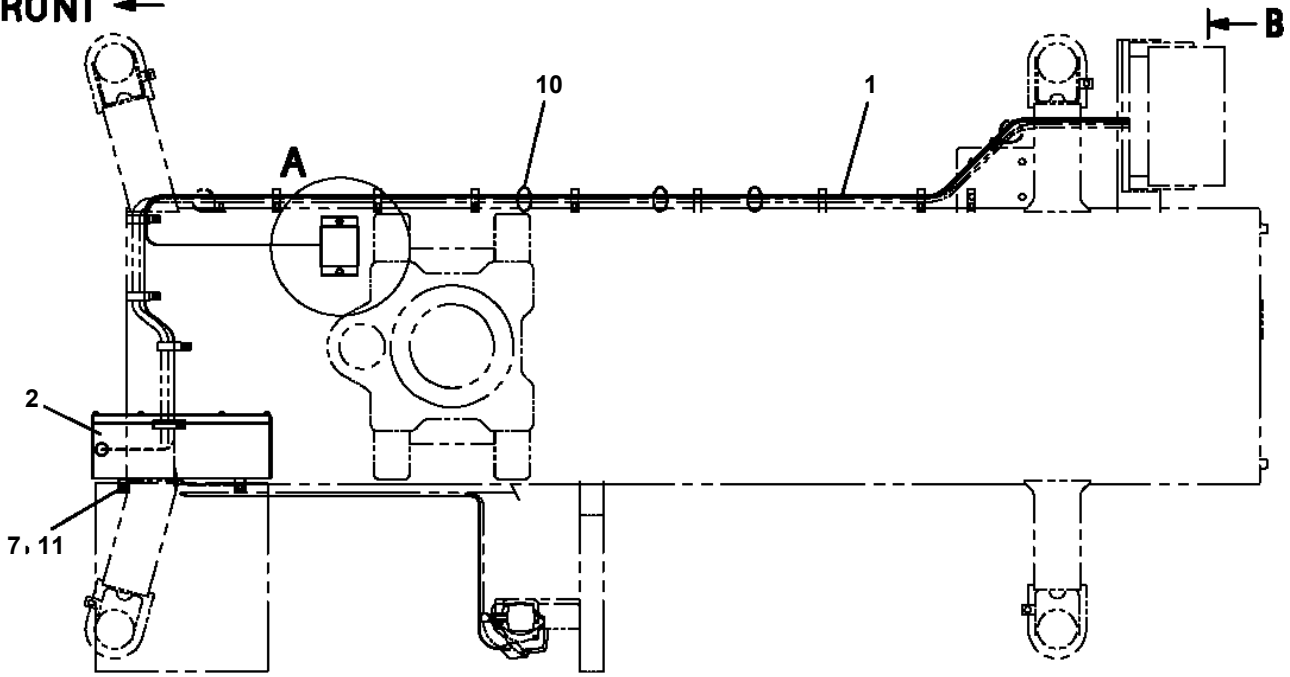
**AT-80-1 42006100012 UPPER
PN1013891-01 ELEC.ASSY (HARNESS FOR INVERTER)**

指示番号 KEY NO.	ハイセンASSY (インバータヨウハーネス) ELEC.ASSY (HARNESS FOR INVERTER)
1 ⇒ 欠番	カバー COVER
2 ⇒ 欠番	ケーブル CABLE
3	ハイセンASSY ELEC.ASSY

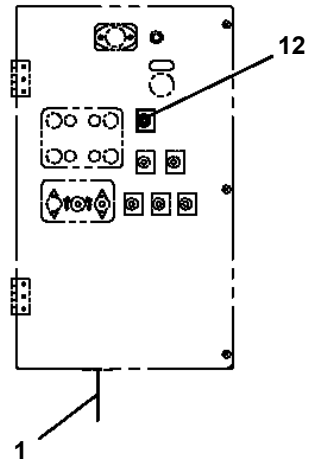
AT-80-1 42006100012 UPPER
PN1013896-02 ELEC.ASSY



FRONT ←

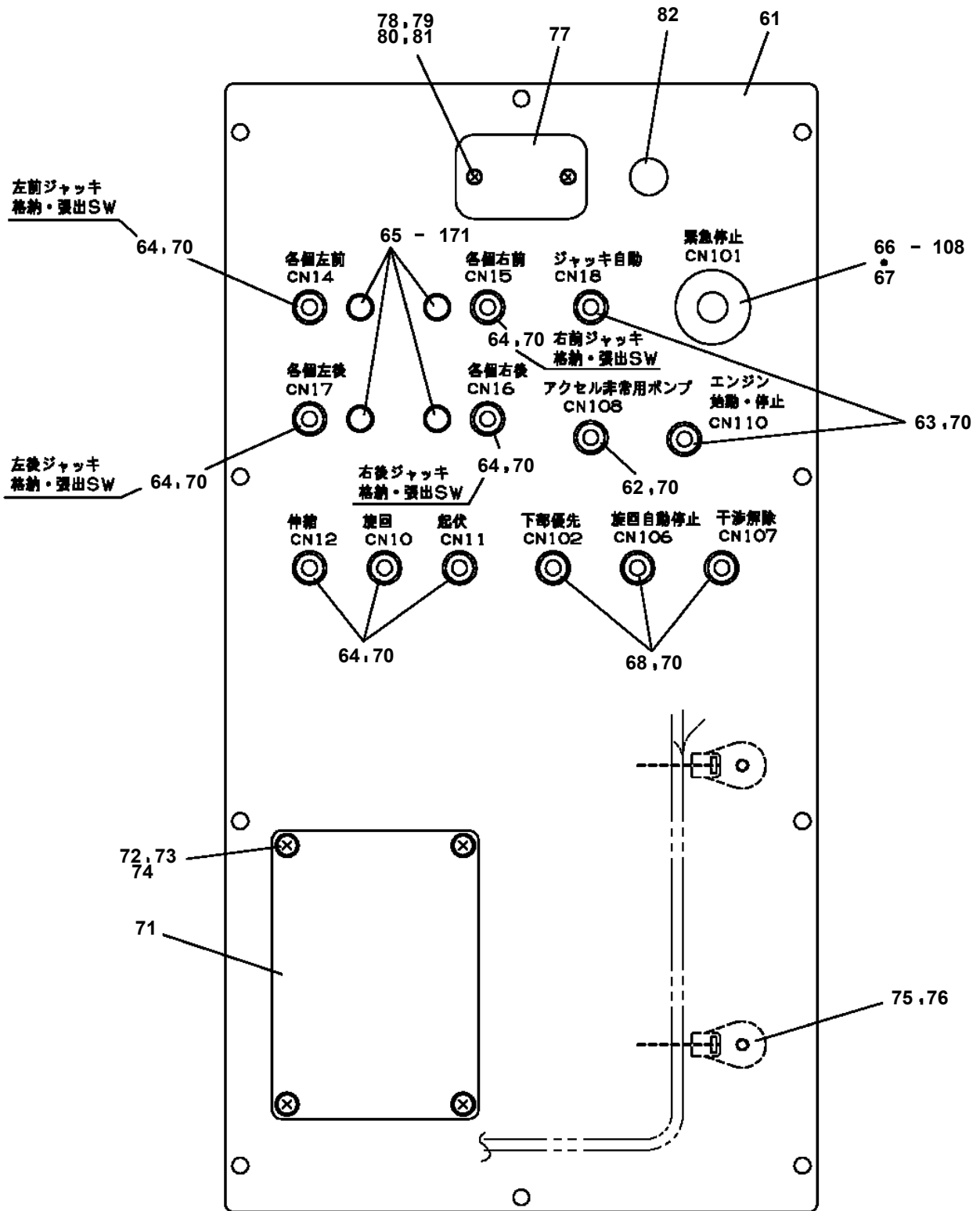


A



B

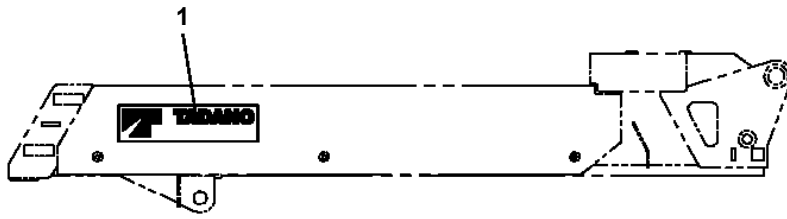
AT-80-1 42006100012 UPPER
PN1110276-01 RELAY



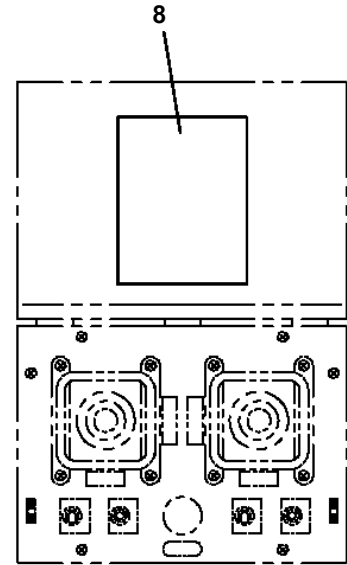
AT-80-1 42006100012 UPPER

Pos No.	Parts No	Parts Name	Qty	Unit	Technical Data	Serial No (Start)	Serial No (End)	Rema
11	42652875020	CASE (WITH NAME PLATE)	1					
12	42652875030	COVER (CASE)	1					
15	42652875040	HARNESS (1)	1					
16	42652875050	HARNESS (2)	1					
21	42500887510	BOARD,CIRCUIT (WITH DATA)	1					
31	42652807530	SEAT,PANEL (NAME PLATE)	1					
50	42500881500	CONTROLLER	1					

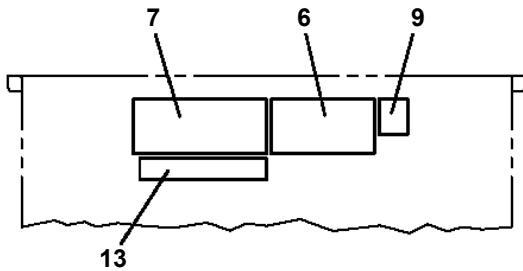
**AT-80-1 42006100012 UPPER
PO1014368-01 PLATE ASSY,NAME (VEHICLE)**



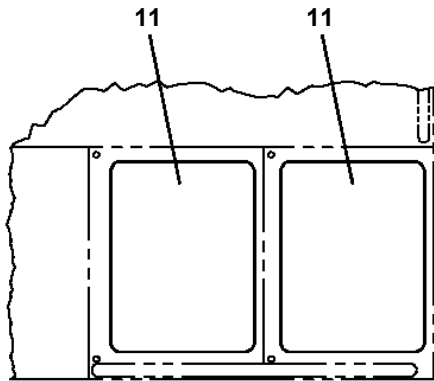
A



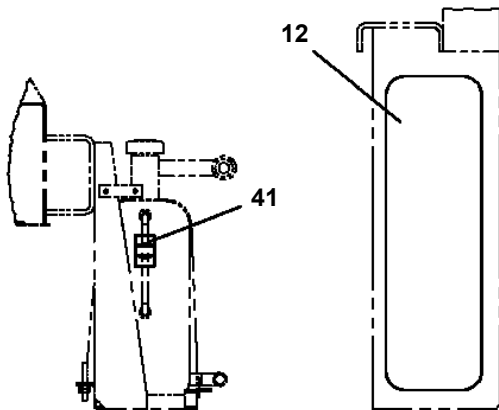
B



C

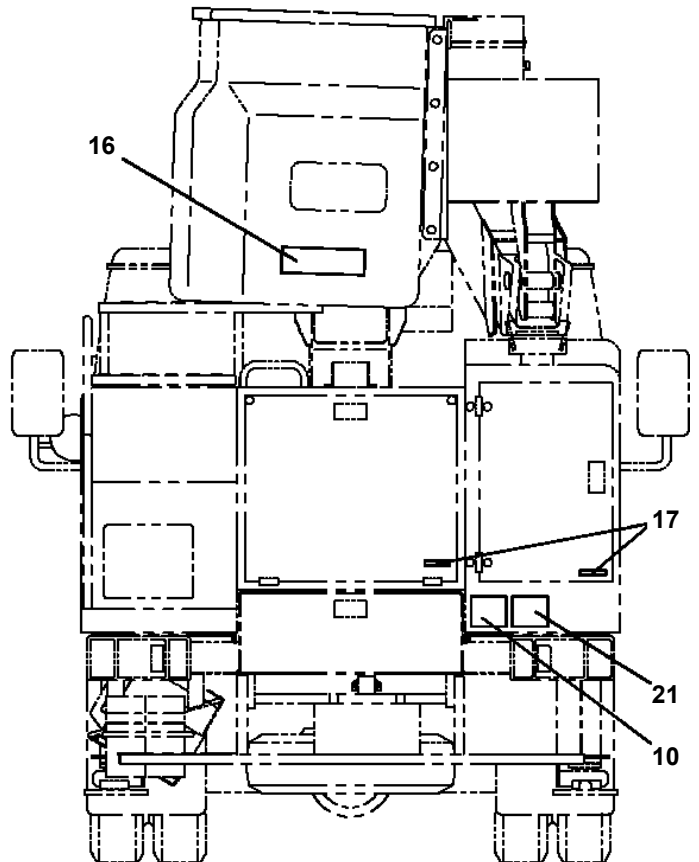


E



D

F



H

AT-80-1 42006100012 UPPER

Pos No.	Parts No	Parts Name	Qty	Unit	Technical Data	Serial No (Start)	Serial No
1	80561100080	NUT	1		AN08		
2	80602110800	RING,RITAINING	1		R80		
3	36080495210	SPACER	1				
4	80500006208	BEARING,BALL	1				
5	36080495220	WORM	1				
6	36080755030	BEARING,NEEDLE	1		BK3020+IR25*30*18		
7	36080495090	GAUGE,OIL	1				
8	36080235080	WASHER,SEAL	1		M16		
9	80316090060	PLUG	1		KKT PT3/8		
10	80561100070	NUT	1		AN07		
15	91206055002	SEAL,OIL	1				
16	36080495042	CASE,GEAR	1				
17	80513006308	BEARING,BALL	1				
18	36080495050	BOLT,SEMS (M10X25,WITH WASHER)	6				
19	36080015000	PIN	2				
20	36080495060	KEY	1				
21	36080495070	WHEEL,WORM	1				
22	36080495230	CASE,GEAR	1				
23	80500006207	BEARING,BALL	1				
51	36081775500	GEAR,SPUR	1				
100	36081770001	SWING ASSY	1				

AT-80-1 42006100012 UPPER

Pos No.	Parts No	Parts Name	Qty	Unit	Technical Data	Serial No (Start)	Serial No (End)	Rem
1	42460015010	BAG,TOOL	1					
2	91991510003	HEXAGON BARWRENCH (G3)	1					
3	91991510004	HEXAGON BARWRENCH (G4)	1					
4	91991510005	HEXAGON BARWRENCH (G5)	1					
5	91991510006	HEXAGON BARWRENCH (G6)	1					
6	91991510008	HEXAGON BARWRENCH (G8)	1					
7	91991510010	HEXAGON BARWRENCH (G10)	1					
8	91991441311	SPANNER	1		13X11			
50	42473931000	TOOLS	1					

CLICK HERE TO **DOWNLOAD** THE COMPLETE MANUAL

- Thank you very much for reading the preview of the manual.
- You can download the complete manual from: www.heydownloads.com by clicking the link below



- Please note: If there is no response to CLICKING the link, please download this PDF first and then click on it.

CLICK HERE TO **DOWNLOAD** THE COMPLETE MANUAL