

AT-400-1 43008120100 LOWER,MITSUBISHI KL-FU50JTX1

PB3000063-00 POWER UNIT
PO1000149-00 INDICATION PLATES
PX2000238-00 CARRIER UNIT
PX3000166-01 MOUNTING UNIT
PY1000791-02 OPTIONS,1
ASSEMBLY

CLICK HERE TO **DOWNLOAD** THE COMPLETE MANUAL

- Thank you very much for reading the preview of the manual.
- You can download the complete manual from: www.heydownloads.com by clicking the link below



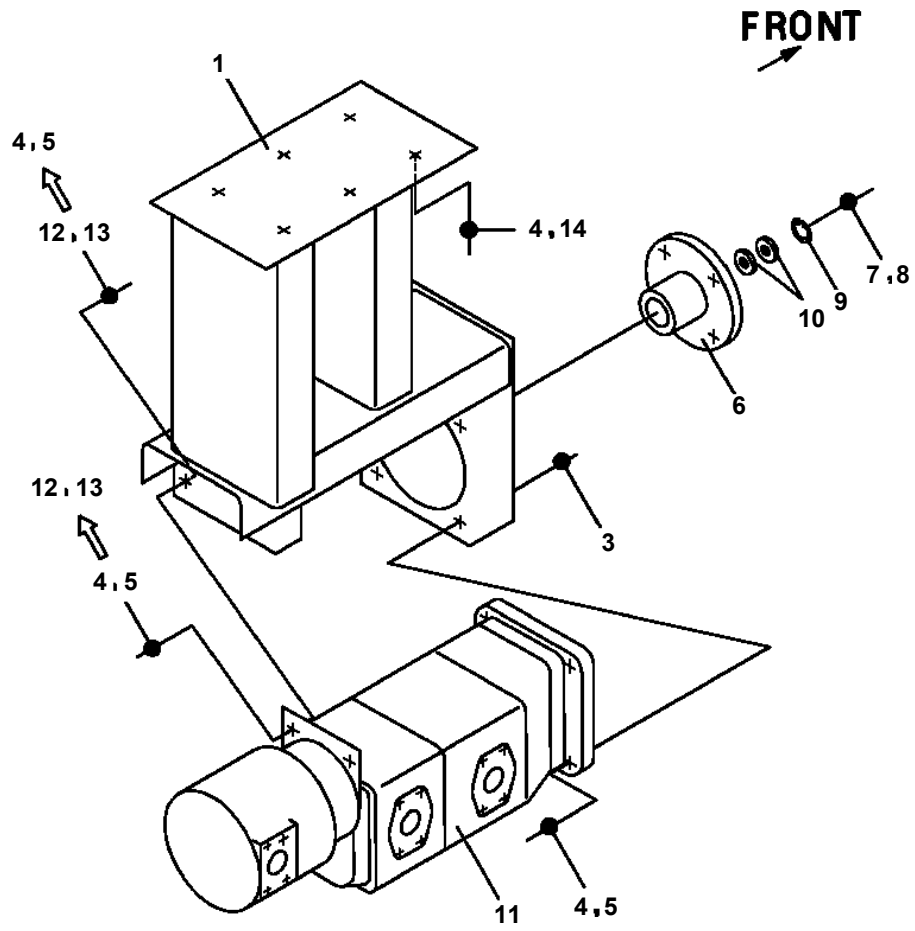
- Please note: If there is no response to CLICKING the link, please download this PDF first and then click on it.

CLICK HERE TO **DOWNLOAD** THE COMPLETE MANUAL

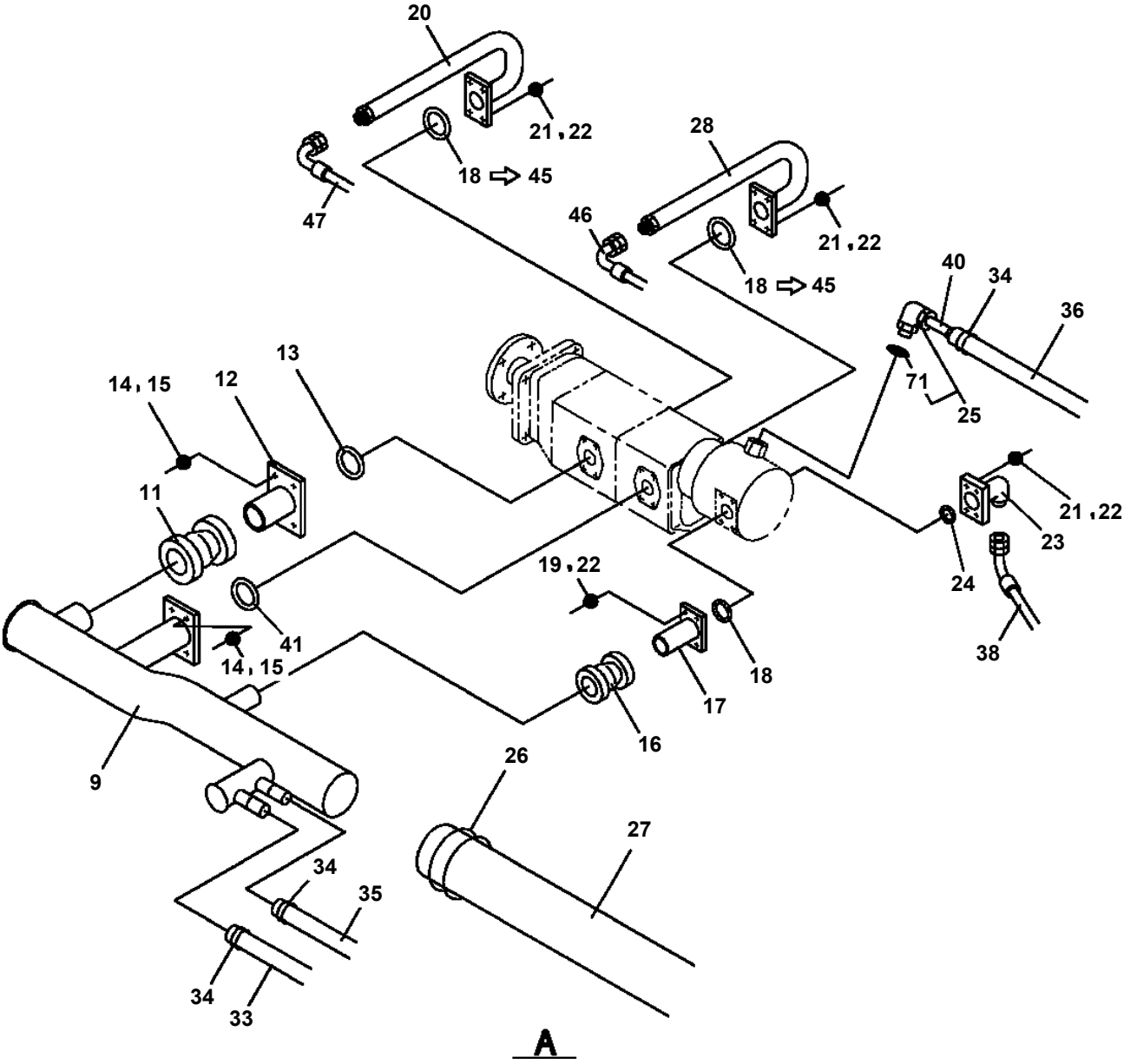
AT-400-1 43008120100 LOWER,MITSUBISHI KL-FU50JTX1

Pos No.	Parts No	Parts Name	Qty	Unit	Technical Data	Serial N
1	(*****)	VIEW SYSTEM (MITSUBISHI/ MONITOR:ST-836,CAMERA:SC-700A)	1			
2	(*****)	VIEW SYSTEM (MITSUBISHI/ MONITOR:ST-900,CAMERA:XC-200A)	1			

**AT-400-1 43008120100 LOWER, MITSUBISHI KL-FU50JTX1
PB1100305-01 PUMP, HYDRAULIC**



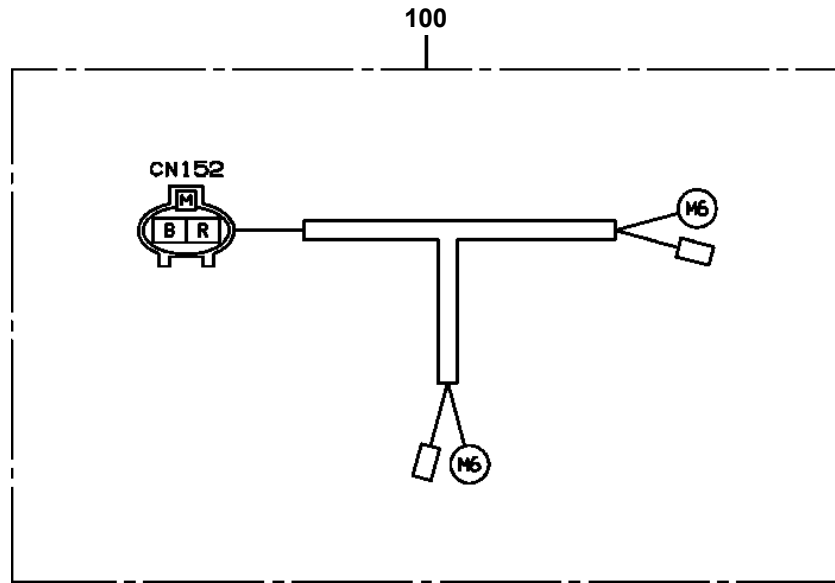
AT-400-1 43008120100 LOWER, MITSUBISHI KL-FU50JTX1
PB1411654-01 PIPING, LOWER



AT-400-1 43008120100 LOWER,MITSUBISHI KL-FU50JTX1
PH1700265-02 VIEW SYSTEM (MITSUBISHI/ MONITOR:ST-900,CAMERA:XC-200A)

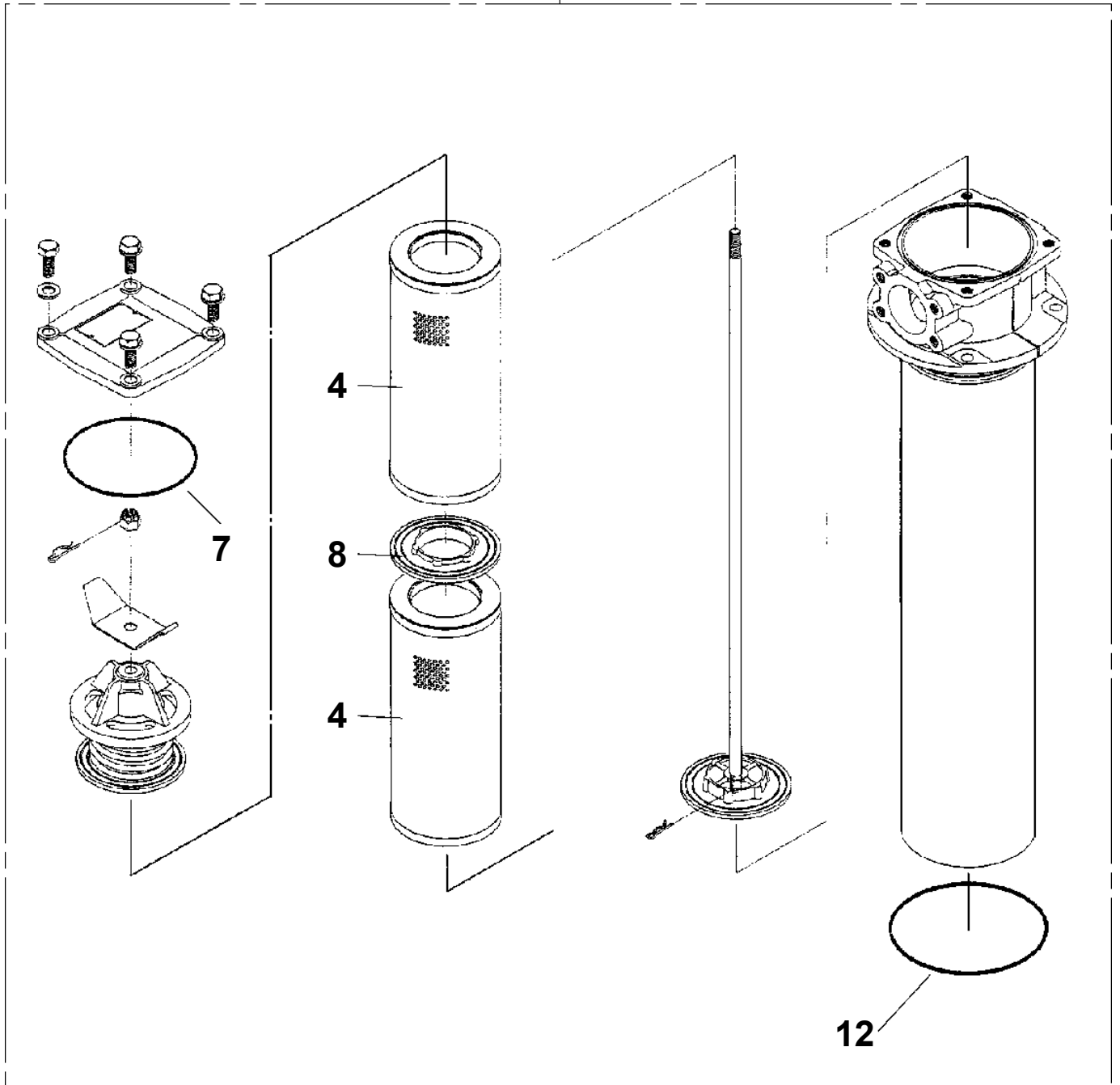
指示番号 KEY NO.	ビユー システム (ミツビシ/モニタ:ST-900,カメラ:XC-200A) VIEW SYSTEM (MITSUBISHI/MONITOR:ST-900,CAMERA:XC-200A)
1	ビユー システム (バックモニタ/カラー) VIEW SYSTEM (BACK MONITOR/COLOR)
2	ビユー システム (サポート:カメラ) VIEW SYSTEM (SUPPORT:CAMERA)

AT-400-1 43008120100 LOWER, MITSUBISHI KL-FU50JTX1
PH5030930-00 HARNESS



AT-400-1 43008120100 LOWER, MITSUBISHI KL-FU50JTX1
PI1300012-03 FILTER, OIL (TANK, OIL)

30

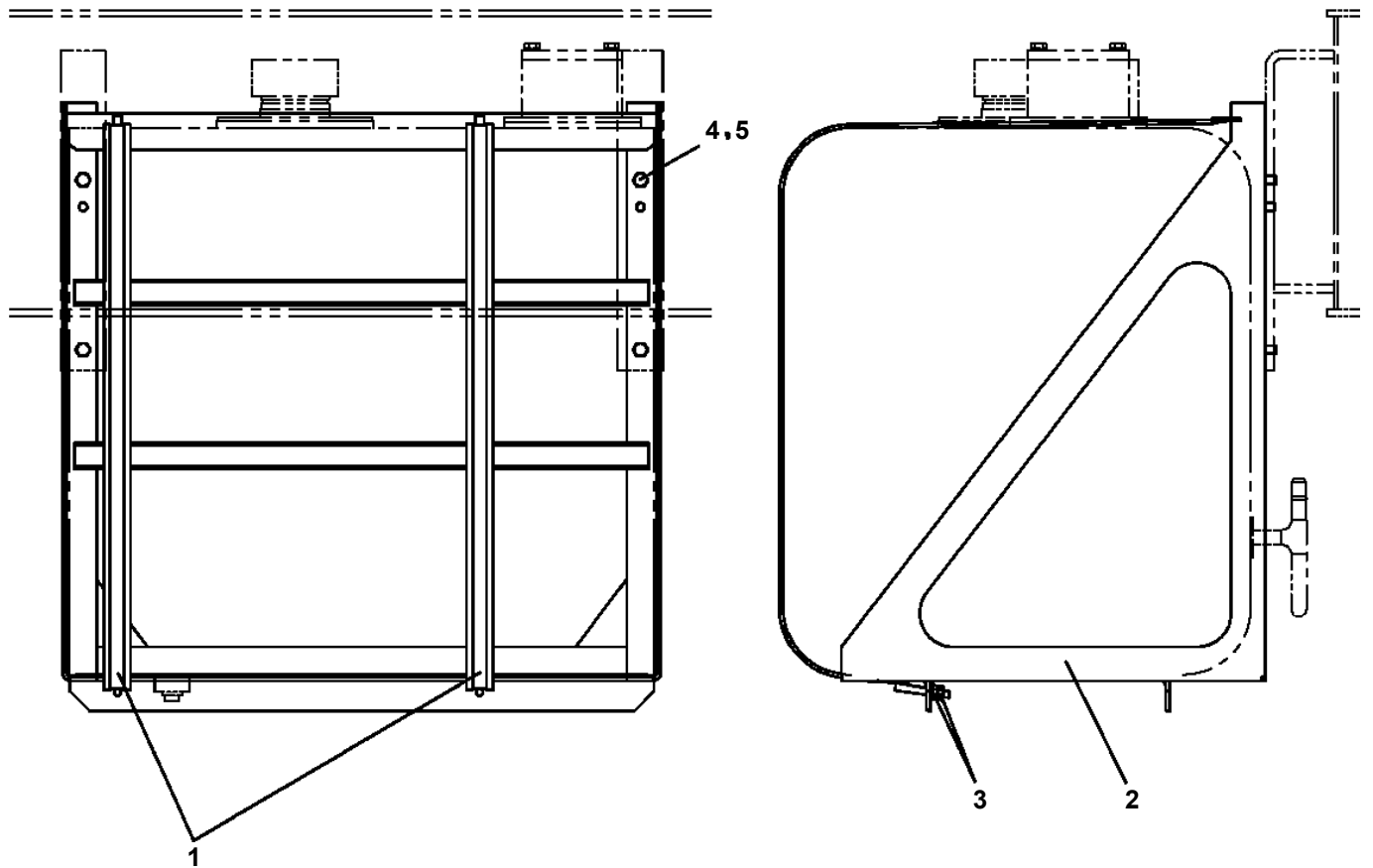


AT-400-1 43008120100 LOWER,MITSUBISHI KL-FU50JTX1

Pos No.	Parts No	Parts Name	Qty	Unit	Technical Data	Serial No (Start)	Serial No (End)	Remarks
2	34930097630	BULB,LAMP	1		24V 25W			
4	82165510030	LENS	1					
100	82165510010	LAMP (WAY SIDE LAMP)	1					

AT-400-1 43008120100 LOWER, MITSUBISHI KL-FU50JTX1
PX1100269-00 TANK SUPPORT

FRONT ←



AT-400-1 43008120100 LOWER,MITSUBISHI KL-FU50JTX1

Pos No.	Parts No	Parts Name	Qty	Unit	Technical Data	Serial No (Start)	Serial No (End)	Remarks	Pages
1	42811650200	STEP	1						
2	90171112028	BOLT	8		M12X28				
3	90302041201	WASHER,SPRING	8		12				
4	37000517380	PLATE	2		T=2.3 TO 3.2				

CLICK HERE TO **DOWNLOAD** THE COMPLETE MANUAL

- Thank you very much for reading the preview of the manual.
- You can download the complete manual from: www.heydownloads.com by clicking the link below



- Please note: If there is no response to CLICKING the link, please download this PDF first and then click on it.

CLICK HERE TO **DOWNLOAD** THE COMPLETE MANUAL