

AT-320X-1 43013130101 UPPER, LOWER, HINO 2KG-FC2AGBA-BBABAD

PB0000276-02 UPPER STRUCTURE SYSTEM

PB0000513-00 LOWER STRUCTURE SYSTEM

ASSEMBLY

CLICK HERE TO **DOWNLOAD** THE COMPLETE MANUAL

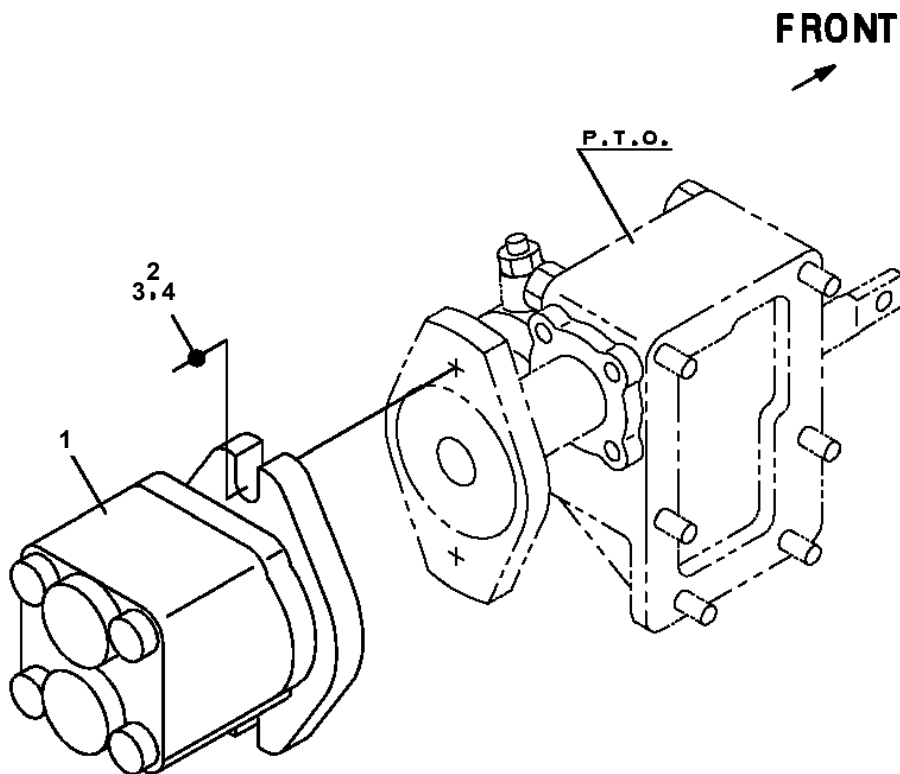
- Thank you very much for reading the preview of the manual.
- You can download the complete manual from: www.heydownloads.com by clicking the link below



- Please note: If there is no response to CLICKING the link, please download this PDF first and then click on it.

CLICK HERE TO **DOWNLOAD** THE COMPLETE MANUAL

**AT-320X-1 43013130101 UPPER, LOWER, HINO 2KG-FC2AGBA-BBABAD
PB1100281-00 PUMP, HYDRAULIC (MOUNT)**



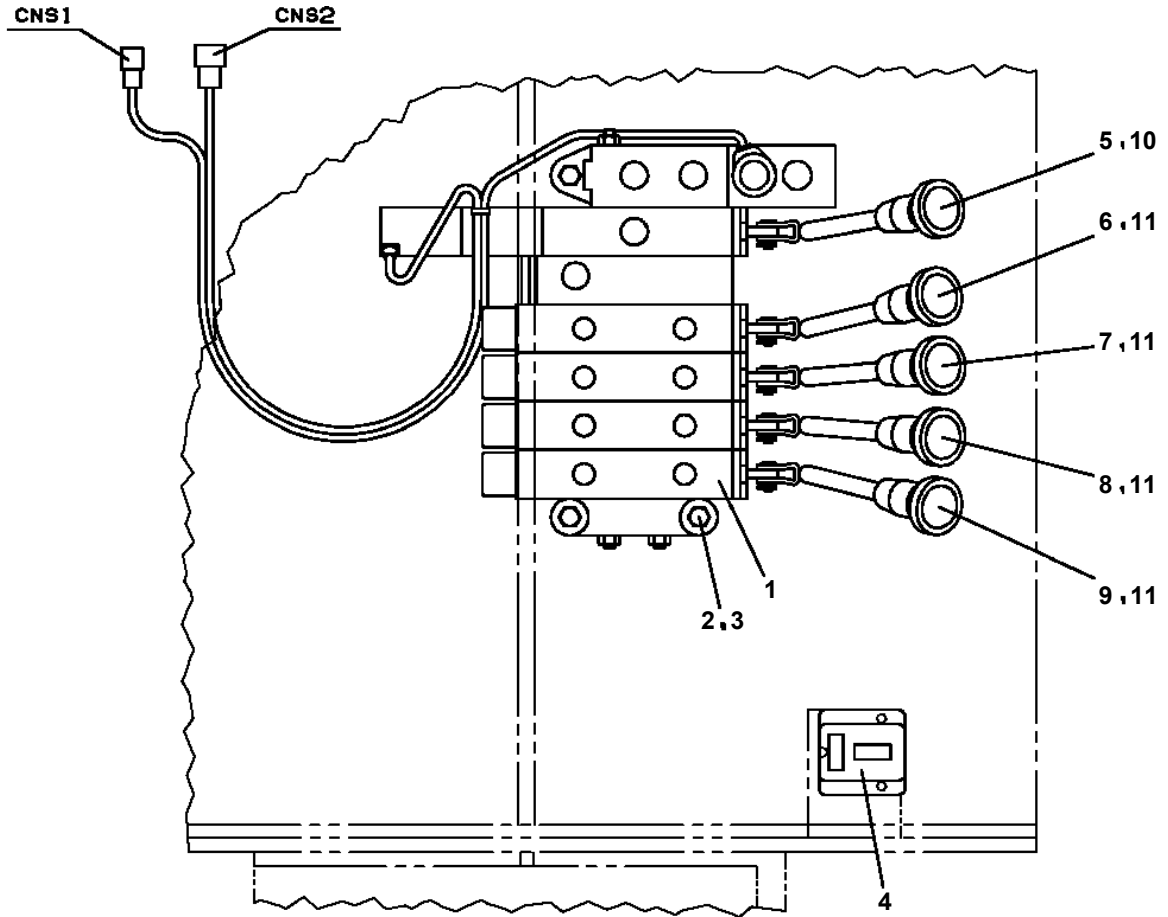
AT-320X-1 43013130101 UPPER, LOWER, HINO 2KG-FC2AGBA-BBABAD

Pos No.	Parts No	Parts Name	Qty	Unit	Technical Data	Serial No (Start)	Serial No (End)	Rem
1	(*****)	PUMP,HYDRAULIC (MOUNT)	1					
2	(*****)	MOUNT ASSY,EMERGENCY PUMP	1					

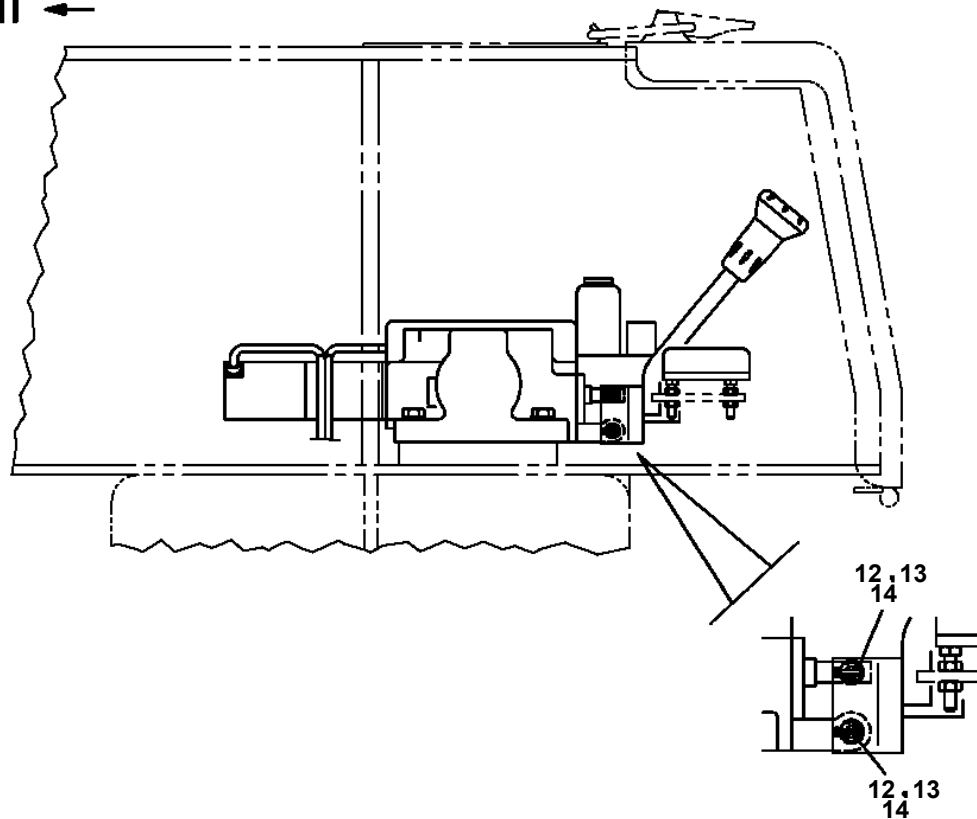
AT-320X-1 43013130101 UPPER, LOWER, HINO 2KG-FC2AGBA-BBABAD

Pos No.	Parts No	Parts Name	Qty	Unit	Technical Data	Serial No (Start)	Serial No (End)	Remarks
115	901721210040	BOLT	2		M10X40			
116	42203237391	PLATE	2		T=0.6(L)			
117	37010503541	SHIM	6		T=0.6		371590	
	37010503541	SHIM	8		T=0.6	371591		
118	37010503550	SHIM	3		T=0.6			
119	37001925631	ROPE,WIRE (TESAC)	2		10X14.75M			
120	37001925650	ROPE,WIRE (TESAC)	2		8X21.8M			
121	42203236100	SUPPORT	2					
122	90172110014	BOLT,HEXAGON SOCKET	4		M10X14			
123	37001010230	SHEAVE ASSY	4					
124	42203237040	PLATE	4					
125	37000152600	PIN	2					
126	80601110200	RING,RITAINING	2		S20			
127	37002021480	PLATE,SLIDE	4					
128	42203150040	PLATE	28		T=0.5			
129	37010503410	PLATE	20		T=0.6		371590	
	37010503410	PLATE	24		T=0.6	371591		
130	37000104800	PIN	2					
131	37002022530	PLATE,SLIDE	4					
132	37000559120	PLATE	16		T=0.8			
133	42201030010	PLATE	4		T=0.5			
134	37010503490	PLATE	8		T=0.6			
135	37002021711	PLATE,SLIDE	2					
136	42203237470	SHIM	2		T=0.6(L)			
137	37002021840	PLATE,SLIDE	2				371590	
	37002021841	PLATE,SLIDE	2			371591		
138	37002021850	PLATE,SLIDE	1					
139	42203237340	SHIM	2		T=0.6(L)			
140	42203237350	SHIM	4		T=0.6			
141	37010503560	SHIM	1		T=0.6			
142	42203234040	PLATE (PROTECTION)	1					
143	90172110016	BOLT,HEXAGON SOCKET	4		M10X16			
144	37001925670	ROPE,WIRE (TESAC)	2		8X13.15M			
145	37002021411	PLATE,SLIDE	2				371590	
	37002021411	PLATE,SLIDE	6			371591		
146	37000542460	PLATE	4		T=2.3		371590	
	37000542460	PLATE	36		T=2.3	371591		
147	42203237100	PIN	2					
148	90172108012	BOLT,HEXAGON SOCKET	6		M8X12		371590	
	90172108012	BOLT,HEXAGON SOCKET	8		M8X12	371591		
149	37002021681	PLATE,SLIDE	2					
150	37000115380	PIN	1					
151	90303073001	WASHER,PLAIN	1		30			
152	80136360050	PIN,SPLIT	1		6X50			
153	90238403008	NUT,CASTLE	1		M30X2			
154	37000124850	PIN	1					
155	42203235040	PLATE (PROTECTION)	1					
156	89631601000	HOSE,VINYL	1		15X20,1M			
157	89630701000	HOSE,VINYL	1		10X15,1M			
158	91810130240	FASTENER	6					
159	37000556790	PLATE	2					
160	42203237490	SHIM	2		T=0.6			
161	90171112025	BOLT	7		M12X25			
162	42203236032	PIN	2					
163	42203236252	SUPPORT	1					
164	80184306012	SCREW,MACHINE	2		M6X12			
165	37002022290	PLATE,SLIDE	2					
166	42203230402	RETAINER	4					
167	37002022780	PLATE,SLIDE	1					
168	37002022800	PLATE,SLIDE	1					
169	37002022760	PLATE,SLIDE	1					
181	82455106000	NIPPLE,GREASE	1		A-M6F FE			
184	37002022640	PLATE,SLIDE	4					

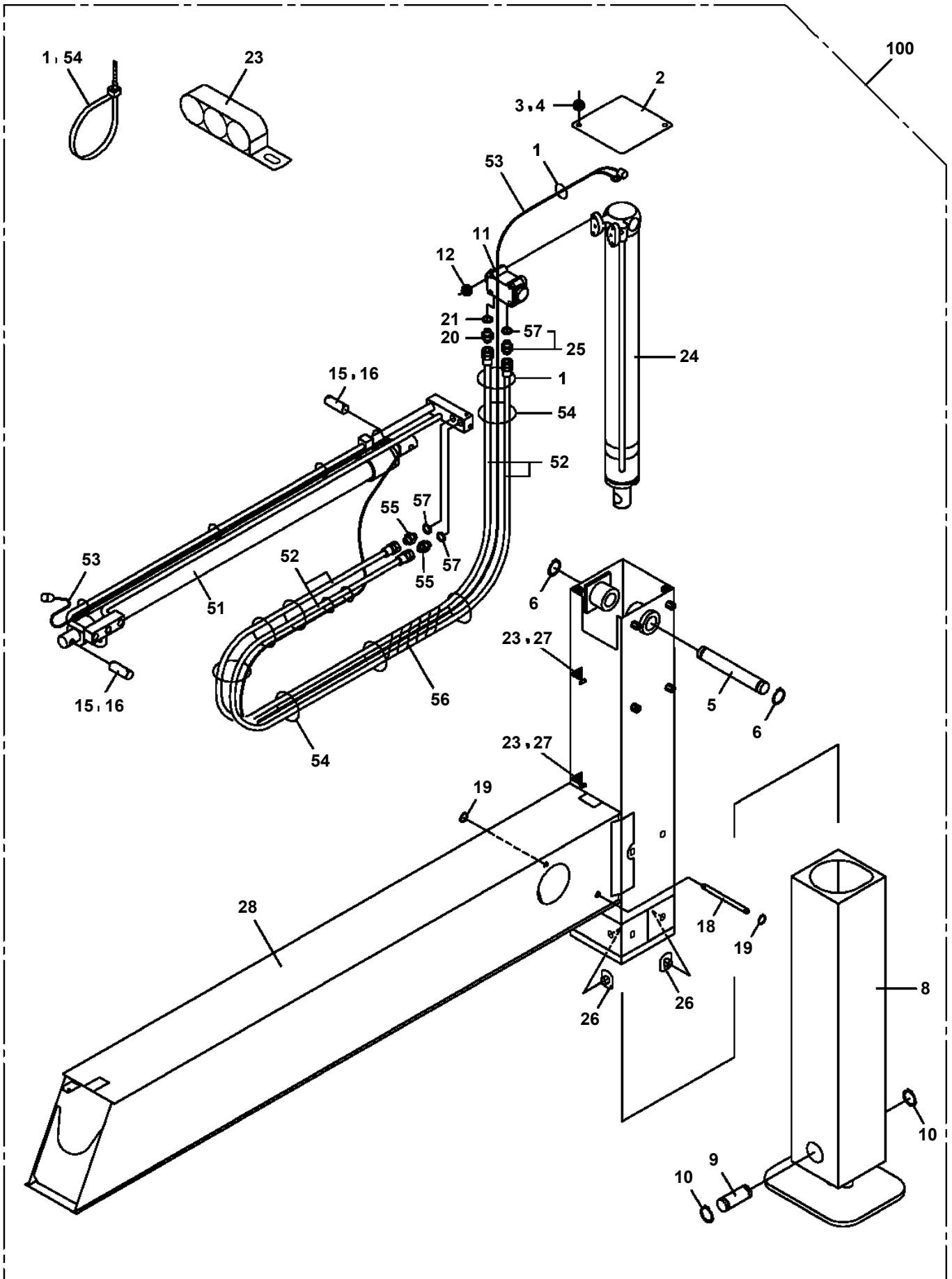
**AT-320X-1 43013130101 UPPER, LOWER, HINO 2KG-FC2AGBA-BBABAD
PC1100296-00 OPE.ASSY,OUTRIGGER**



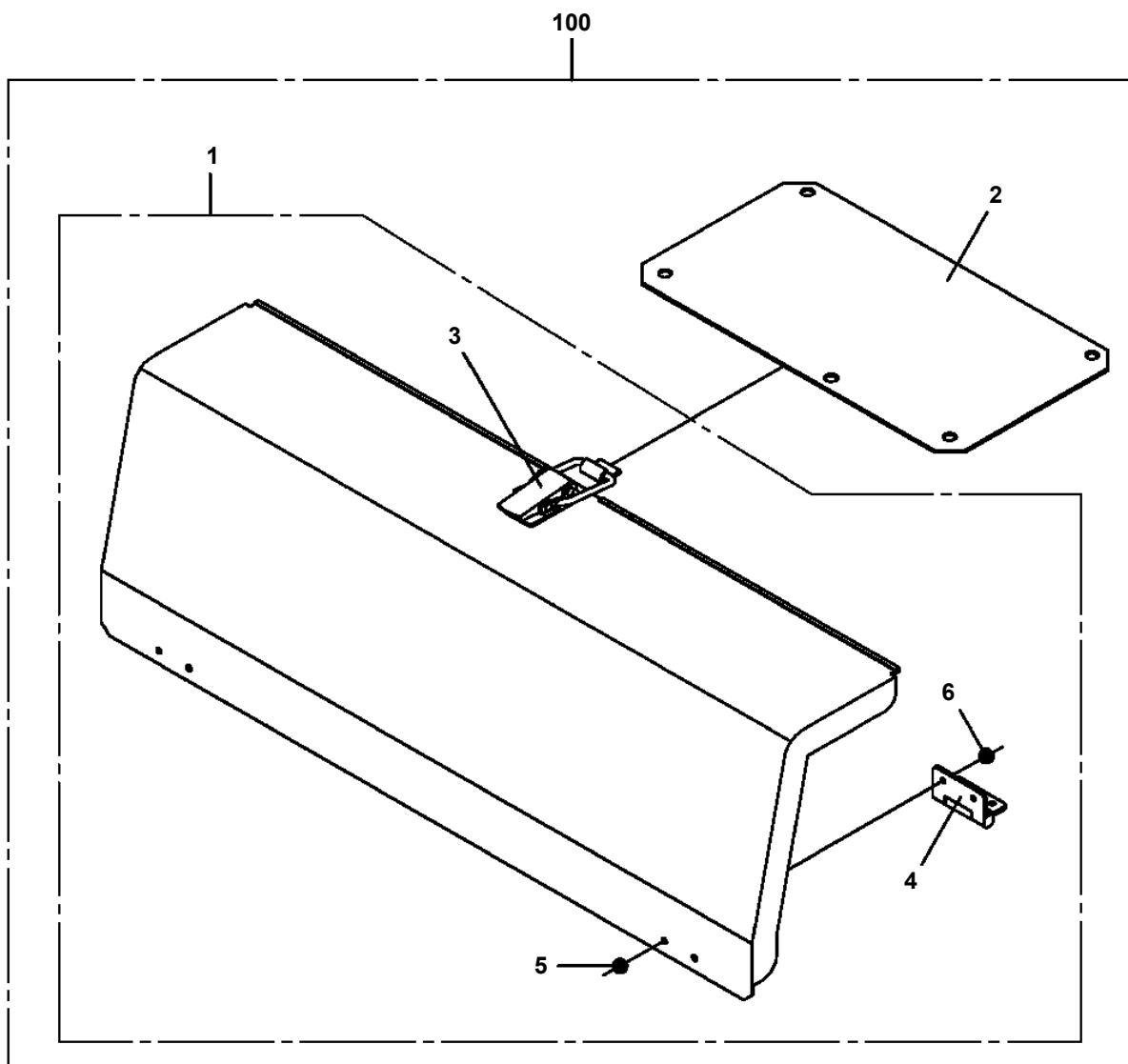
FRONT ←



AT-320X-1 43013130101 UPPER, LOWER, HINO 2KG-FC2AGBA-BBABAD
PC5150246-00 CASE ASSY,INNER (REAR,RIGHT)



AT-320X-1 43013130101 UPPER, LOWER, HINO 2KG-FC2AGBA-BBABAD
PC5570240-00 COVER ASSY



AT-320X-1 43013130101 UPPER, LOWER, HINO 2KG-FC2AGBA-BBABAD

Pos No.	Parts No	Parts Name	Qty	Unit	Technical Data	Serial No (Start)	Serial No (End)	Remarks
1	42515692300	COVER	1					
2	42515692400	COVER	1					
4	42272501300	COVER	1					
6	82464104602	HINGE	2					
7	80172803010	SCREW,MACHINE	4		M3X10			
9	80172804012	SCREW,MACHINE	12		M4X12			
10	90201500400	NUT	12		M4			
11	90302510401	WASHER,SPRING	12		4			
13	82464110305	HINGE	2					
14	80172803008	SCREW,MACHINE	8		M3X8			
15	90201500300	NUT	16		M3			
16	90302510301	WASHER,SPRING (SUS 3)	20					
17	82466100702	CATCH	2					
18	80175803010	SCREW,MACHINE	8		M3X8			
19	82466009002	CATCH	2					
20	37000508510	PLATE	4					
21	80163803010	SCREW,MACHINE	4		M3X10			
22	82112001022	SLEEVE	2					
23	42220249510	ROPE,WIRE	1	M				
24	42271680020	HOOK	1					
49	82400000309	GROMMET	1		L=1000			
63	42515692420	RUBBER	2					
64	42271641270	PACKING	2					
100	42515692101	COVER ASSY	1					

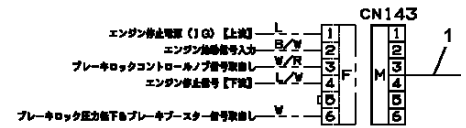
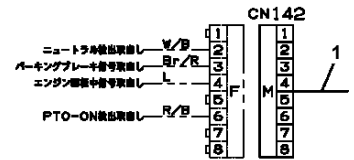
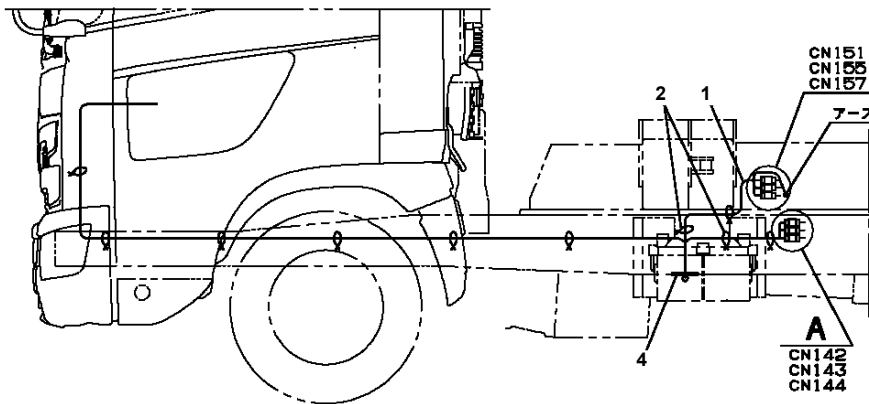
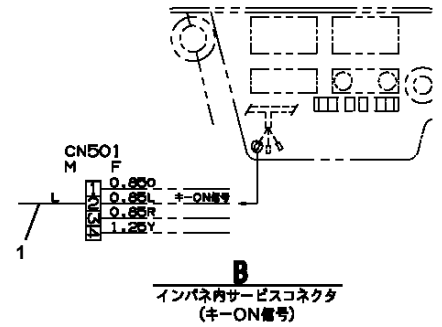
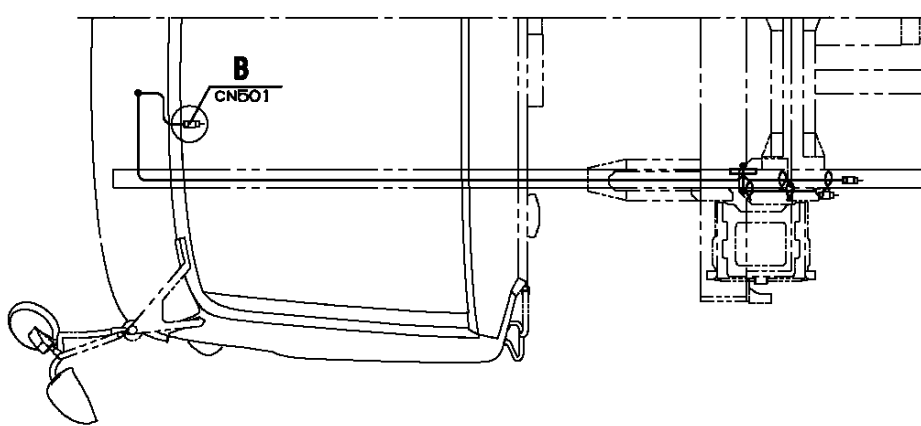
AT-320X-1 43013130101 UPPER, LOWER, HINO 2KG-FC2AGBA-BBABAD

Pos No.	Parts No	Parts Name	Qty	Unit	Technical Data	Serial No (Start)	Serial No (End)	Remarks	Pages
2	36019750300	ROLLER ASSY	1						
3	37000140170	PIN	1						
4	37000301270	SPACER	2		L=4				
5	80601110200	RING,RITAINING	4		S20				
6	36019750400	SUPPORT	1						
7	36019750450	SUPPORT	1						
8	37000208900	PIN	2						
9	90171108012	BOLT	2		M8X12				
10	90302040801	WASHER,SPRING	2		8				
11	80720103014	PIN,SPRING	2		3X14				
12	80720103025	PIN,SPRING	2		3X25				
13	37001300380	SPRING	2						
32	80513006204	BEARING,BALL	2						
51	37000123030	PIN	2						
52	36019750410	SUPPORT	1						
53	37001109840	ROLLER ASSY	2						
55	37000515590	PLATE	4		T=0.5				
72	36019750460	SUPPORT	1						
92	80516006004	BEARING,BALL	4						
100	36019751000	CYLINDER	1						

AT-320X-1 43013130101 UPPER, LOWER, HINO 2KG-FC2AGBA-BBABAD

Pos No.	Parts No	Parts Name	Qty	Unit	Technical Data	Serial No (Start)	Serial No (End)
1	36132685080	PLATE(BASE)	1				
2	36132685070	CASE	1				
3	36132685060	DRUM ASSY	1				
4	36132685050	COVER	1				
5	36132685040	PACKING	1				
6	36132685030	PACKING	1				
7	36130915030	SEAL	1				
8	36132685020	BRACKET	2				
9	36132685010	CABLE ASSY	1				
10	36132195080	POTENTIOMETER	2				
11	36132015050	GEAR (A)	1				
12	36131745070	GEAR	2				
14	31370005080	GUIDE (CORD)	1				
15	36132525040	WIRE ASSY	1				
16	36160935030	WASHER	1				
25	36132685090	COLLAR	1				
26	36132685100	COLLAR	1				
100	36132680000	DETECTOR ASSY,LENGTH (BOOM)	1				

**AT-320X-1 43013130101 UPPER, LOWER, HINO 2KG-FC2AGBA-BBABAD
PE5070148-00 ELEC.ASSY,CARRIER**



A
キャブ後方第一クロスメンバ部
(E/G始動、E/Gストップ、E/G回転検出)
(PTO検出、ニュートラル検出、Fブレーキ検出)
(エアコン節電、DPR警告信号)

AT-320X-1 43013130101 UPPER, LOWER, HINO 2KG-FC2AGBA-BBABAD

Pos No.	Parts No	Parts Name	Qty	Unit	Technical Data	Serial No (Start)	Serial No (End)	Remarks	Pages
1	42627411000	FRAME ASSY	1						000025
2	42627130200	COVER ASSY	1						
3	82400000393	INSULATOR	2						
4	90303070401	WASHER,PLAIN	2		4				
5	80172304014	SCREW,MACHINE	2		M4X14				
6	90186208010	BOLT,FLANGE	4		M8X10				
7	80175305010	SCREW,MACHINE	6		M5X10				
8	37001501340	BOLT	36		M16X85				
9	90303501601	WASHER,PLAIN	36		16				

AT-320X-1 43013130101 UPPER, LOWER, HINO 2KG-FC2AGBA-BBABAD

Pos No.	Parts No	Parts Name	Qty	Unit	Technical Data	Serial No (Start)	Serial No (End)
1	36199610000	AUTOMATIC MOTION CONTROLLER	1				

AT-320X-1 43013130101 UPPER, LOWER, HINO 2KG-FC2AGBA-BBABAD

Pos No.	Parts No	Parts Name	Qty	Unit	Technical Data	Serial No (Start)	Serial No (End)	Remarks	Pages
1	82181809985	RESISTANCE	1		120 OHM 0.5W				
100	42937120400	HARNESS	1						

AT-320X-1 43013130101 UPPER, LOWER, HINO 2KG-FC2AGBA-BBABAD

Pos No.	Parts No	Parts Name	Qty	Unit	Technical Data	Serial No (Start)	Serial No (End)	Remarks	Pages
100	42510562010	HARNESS	1						

AT-320X-1 43013130101 UPPER, LOWER, HINO 2KG-FC2AGBA-BBABAD

Pos No.	Parts No	Parts Name	Qty	Unit	Technical Data	Serial No (Start)	Serial No (End)	Remarks	Pages
100	42937480100	HARNESS	1						

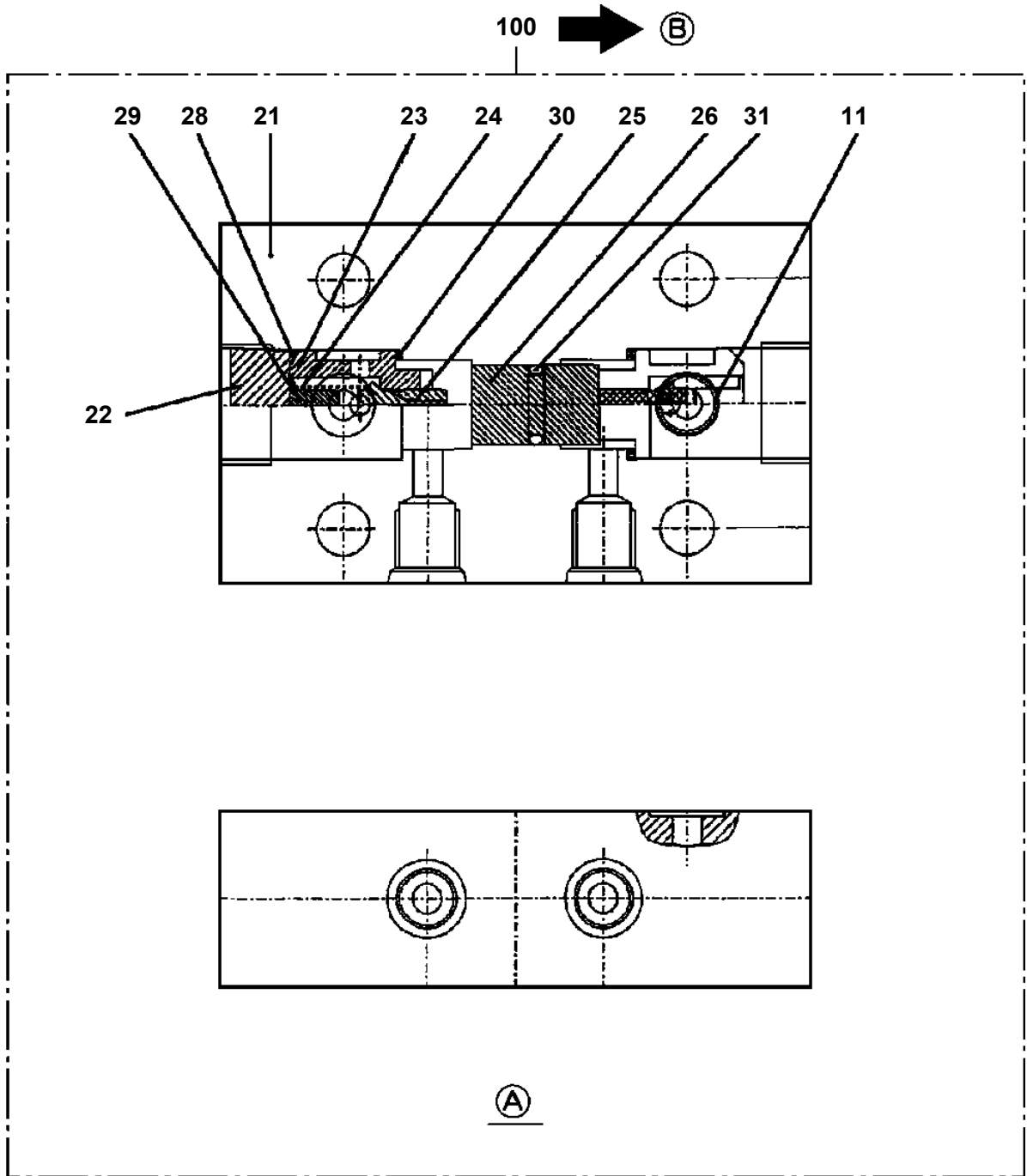
AT-320X-1 43013130101 UPPER, LOWER, HINO 2KG-FC2AGBA-BBABAD

Pos No.	Parts No	Parts Name	Qty	Unit	Technical Data	Serial No (Start)	Serial No (End)	Remarks	Pages
100	42715390100	HARNESS	1						

AT-320X-1 43013130101 UPPER, LOWER, HINO 2KG-FC2AGBA-BBABAD

Pos No.	Parts No	Parts Name	Qty	Unit	Technical Data	Serial No (Start)	Serial No (End)	Remarks	Pages
100	42358230011	HARNESS	1						

AT-320X-1 43013130101 UPPER, LOWER, HINO 2KG-FC2AGBA-BBABAD
PI1140133-01 VALVE,CHECK



AT-320X-1 43013130101 UPPER, LOWER, HINO 2KG-FC2AGBA-BBABAD

Pos No.	Parts No	Parts Name	Qty	Unit	Technical Data	Serial No (Start)	Serial No (End)	Remarks	Pages
12	91002801400	O-RING	2		1B P14				
100	36625740001	VALVE,CHECK	1						

CLICK HERE TO **DOWNLOAD** THE COMPLETE MANUAL

- Thank you very much for reading the preview of the manual.
- You can download the complete manual from: www.heydownloads.com by clicking the link below



- Please note: If there is no response to CLICKING the link, please download this PDF first and then click on it.

CLICK HERE TO **DOWNLOAD** THE COMPLETE MANUAL

AT-320X-1 43013130101 UPPER, LOWER, HINO 2KG-FC2AGBA-BBABAD

Pos No.	Parts No	Parts Name	Qty	Unit	Technical Data	Serial No (Start)	Serial No (End)	Remarks	Pa
4	90302040801	WASHER,SPRING	3		8				
5	80728105020	PIN,SPRING (DACRO)	1		5X20				
6	42630760100	COVER	1						
7	42630760200	SPACER	3		L=13				
8	90101208040	BOLT	3		M8X40				
9	42630921000	BRUSH ASSY	1						000
31	53154004000	BUSH (THRUST)	1						
32	42630571100	BODY	1						
33	42630551200	CORE	1						
34	91531211000	PACKING	2						
35	91100211000	SEAL,RING	2						
36	82456101000	NIPPLE,GREASE	1		A-PT1/8				
100	42444351000	JOINT ASSY,SWIVEL	1						

AT-320X-1 43013130101 UPPER, LOWER, HINO 2KG-FC2AGBA-BBABAD

Pos No.	Parts No	Parts Name	Qty	Unit	Technical Data	Serial No (Start)	Serial No (End)	Re
1	82100002253	LAMP	1					
2	80176304016	SCREW,MACHINE	2		M4X16			
3	90201200400	NUT	2		M4			
4	90302040401	WASHER,SPRING	2		4			
5	90303070401	WASHER,PLAIN	2		4			
6	42736070100	SWITCH ASSY (WITH HARNESS)	1					
7	82199514013	CAP	1					
8	42738200010	PLATE,NAME	1					
9	91850310305	CLAMP	2					
10	82199504017	NUT	1		AT-401N			
11	91810130240	FASTENER	2					
12	42511080100	HARNESS	1					
31	82100000783	BULB,LAMP	1		24V 12W			

AT-320X-1 43013130101 UPPER, LOWER, HINO 2KG-FC2AGBA-BBABAD

Pos No.	Parts No	Parts Name	Qty	Unit	Technical Data	Serial No (Start)	Serial No (End)	Remark
1	42655000100	HARNESS	1					
2	82114101030	CONNECTOR (3P,MALE)	1					
3	82121102030	HOLDER (3P,BOTH)	2					
4	82111101010	TERMINAL	3					
5	82121101085	PLUG (AVS0.85)	4					
6	82114102030	CONNECTOR (3P,FEMALE)	1					
7	82111101510	TERMINAL	3					
8	82121101050	PLUG (BLACK/AV0.3 TO 0.5)	2					

AT-320X-1 43013130101 UPPER, LOWER, HINO 2KG-FC2AGBA-BBABAD

Pos No.	Parts No	Parts Name	Qty	Unit	Technical Data	Serial No (Start)	Serial No (End)	Remarks	Pages
1	42949160100	PLATE,CAUTION	1						

AT-320X-1 43013130101 UPPER, LOWER, HINO 2KG-FC2AGBA-BBABAD

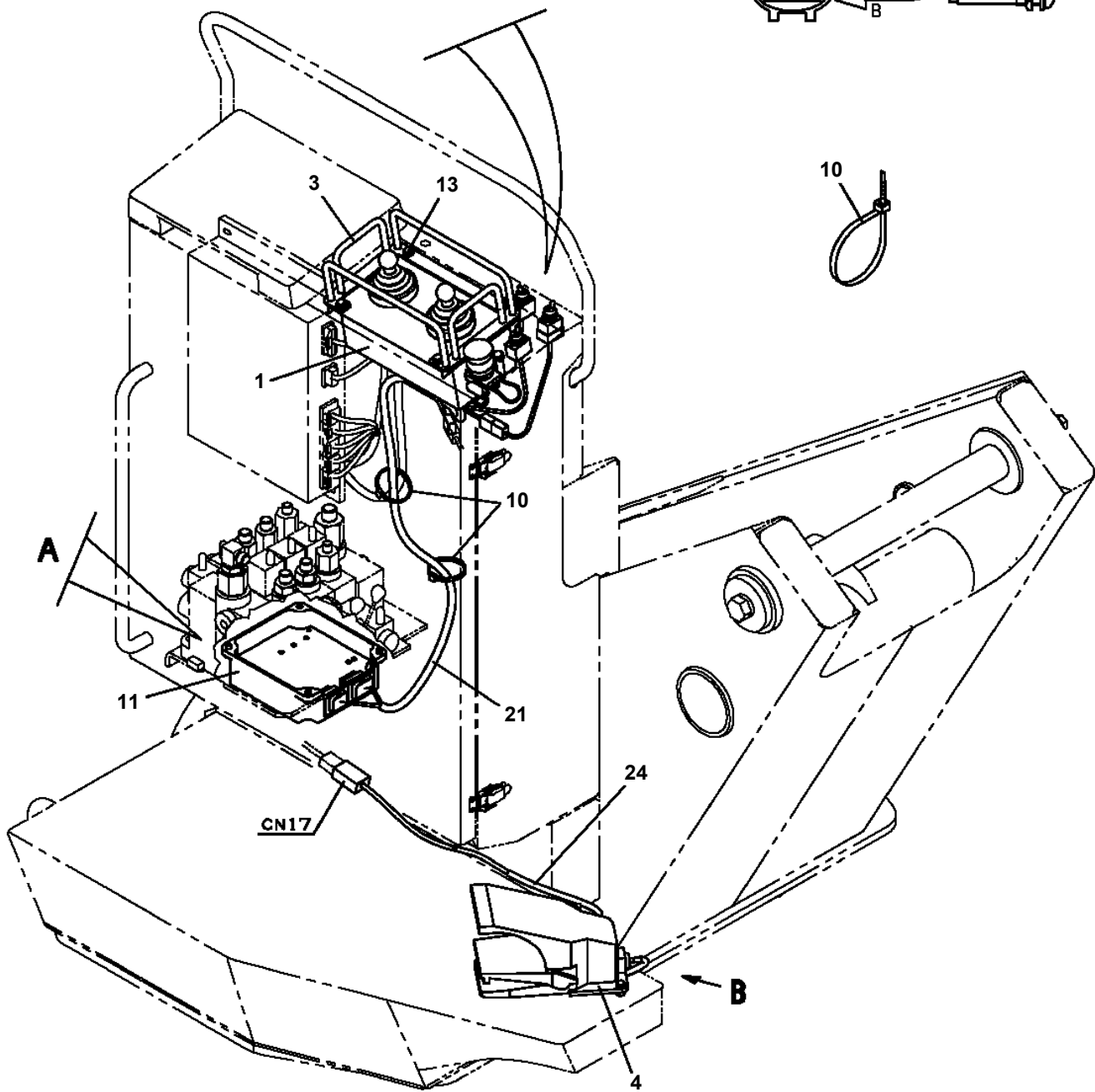
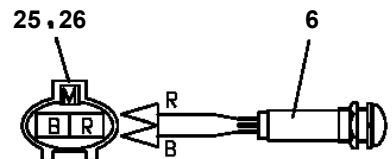
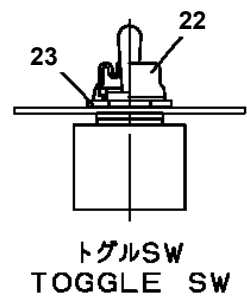
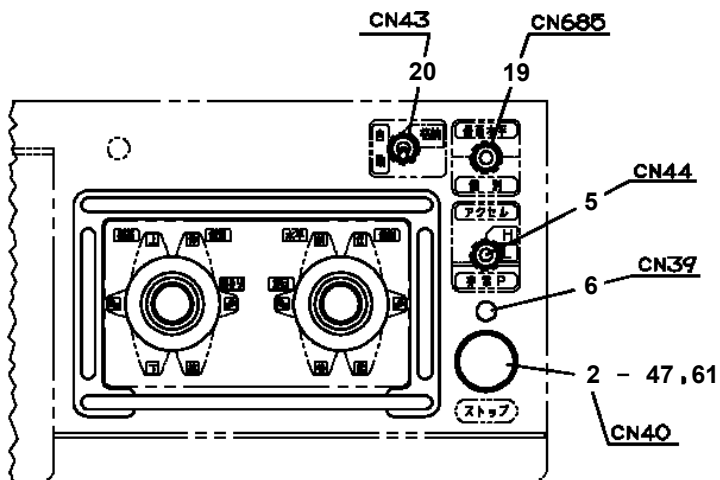
Pos No.	Parts No	Parts Name	Qty	Unit	Technical Data	Serial No (Start)	Serial No (End)
1	37002202030	PLATE,NAME	1				
2	42395082050	PLATE,CAUTION (BUCKET TILT)	1				
3	42593452010	PLATE,NAME	1				
4	42592663010	PLATE,NAME	1				
5	42394191150	PLATE,NAME	1				
6	42590042010	PLATE,NAME (EMERGENCY STOP OPERATION)	1				
7	42593161040	PLATE,NAME	2				
8	37002201980	PLATE,NAME	1				
9	42593452020	PLATE,NAME	1				
10	42590591020	PLATE,NAME (VEHICLE BATTERY MONITOR)	1				
11	42510482020	PLATE,NAME (NO IDLING)	1				
12	37002235910	PLATE,CAUTION(MAJOR ACCIDENT HAZARD)	1				
13	37002239910	PLATE,CAUTION	1				
14	37002235810	PLATE,CAUTION(MAJOR ACCIDENT HAZARD)	1				
15	37002239411	PLATE,CAUTION (FALL HAZARD)	1				
16	37002237110	PLATE,CAUTION	1				

AT-320X-1 43013130101 UPPER, LOWER, HINO 2KG-FC2AGBA-BBABAD
PO1000182-00 INDICATION PLATES (UPPER)

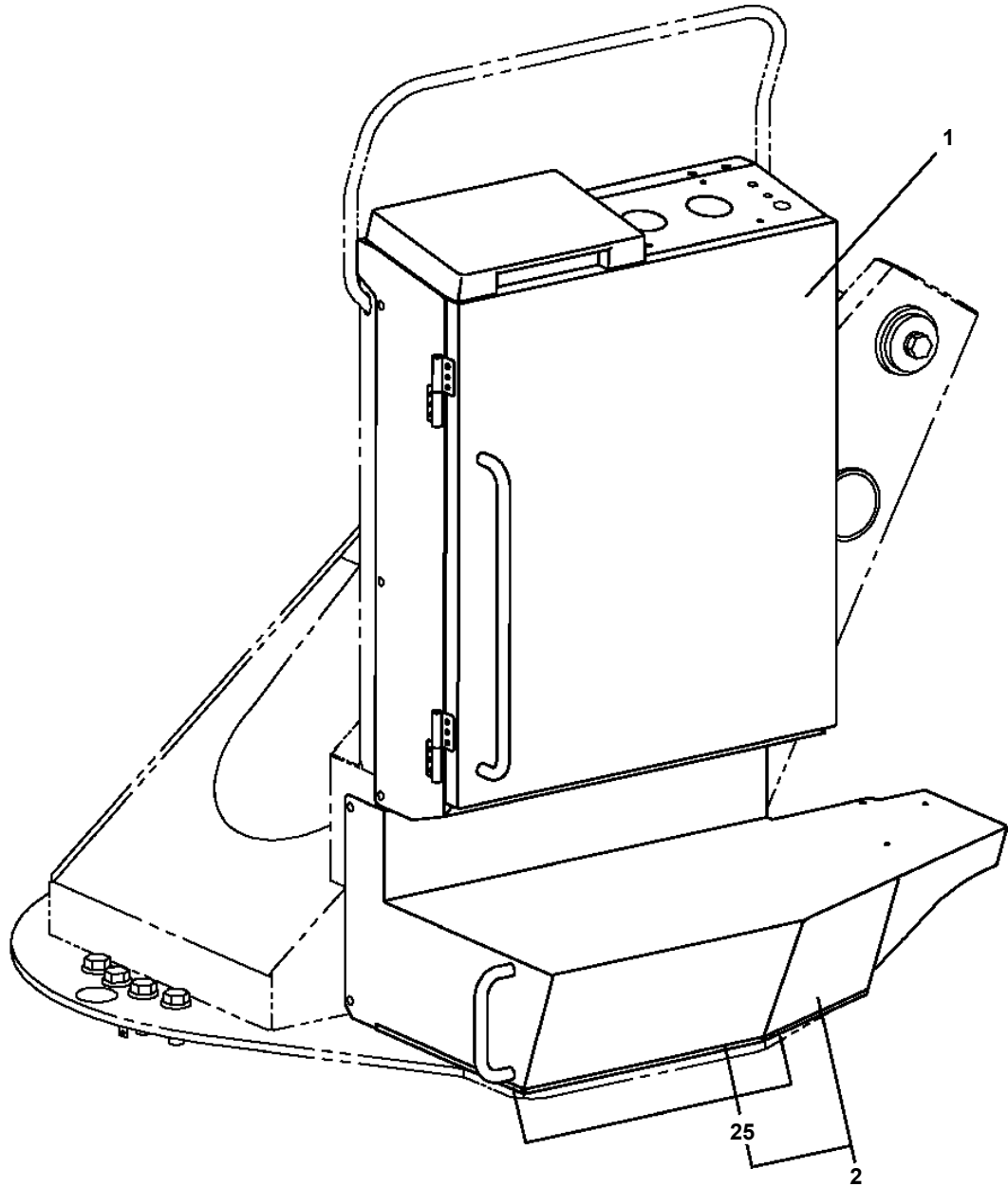
メイパ ン (シ ョウブ)
INDICATION PLATES (UPPER)

〔組立名称一覧〕より選択してください。
SEE THE CORRESPONDING "ASSEMBLY NAME" LIST.

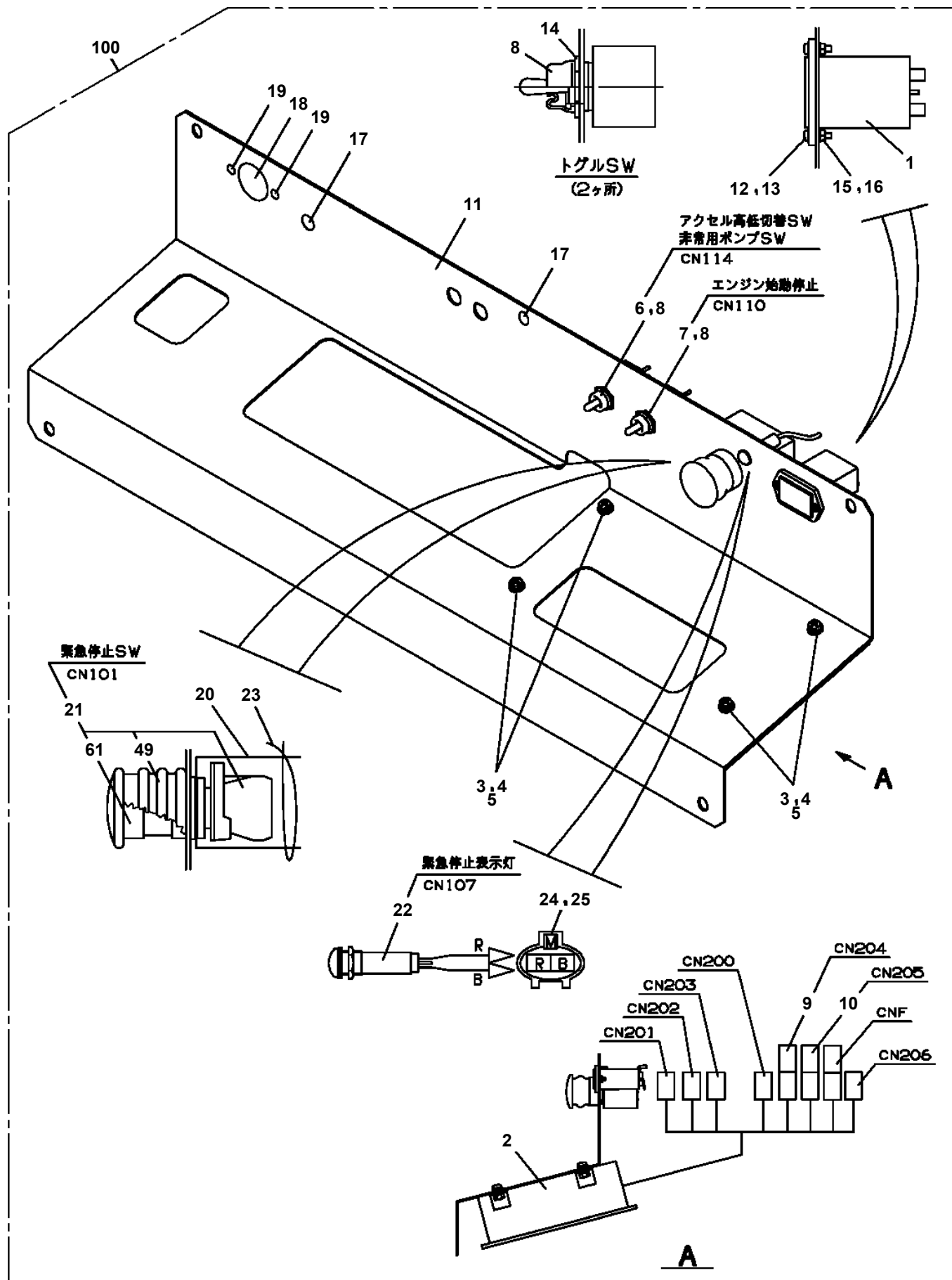
AT-320X-1 43013130101 UPPER, LOWER, HINO 2KG-FC2AGBA-BBABAD
 PO5010066-00 OPE.ASSY



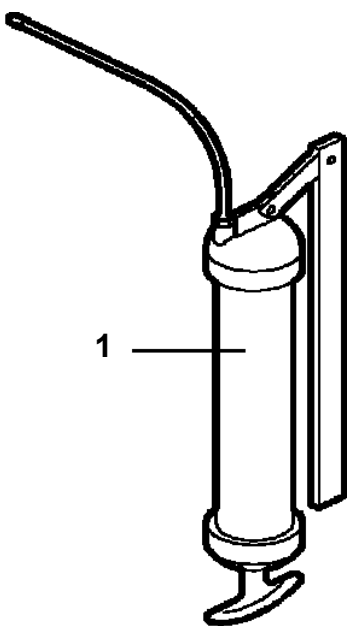
**AT-320X-1 43013130101 UPPER, LOWER, HINO 2KG-FC2AGBA-BBABAD
PO5260160-00 OUTER COVERING ASSY**



AT-320X-1 43013130101 UPPER, LOWER, HINO 2KG-FC2AGBA-BBABAD
 PP5020063-00 PANEL ASSY, CONTROL



AT-320X-1 43013130101 UPPER, LOWER, HINO 2KG-FC2AGBA-BBABAD
PP5450003-00 PUMP, GREASE (240CC)



AT-320X-1 43013130101 UPPER, LOWER, HINO 2KG-FC2AGBA-BBABAD

Pos No.	Parts No	Parts Name	Qty	Unit	Technical Data	Serial No (Start)	Serial No (End)	R
1	37002444470	HOSE	3		L=400			
2	80320010075	FITTING	9		KUD12-020N			
3	37000711170	CLAMP ASSY	8		12X3			
5	81408000160	PIPE,STEEL	1	M	12X1.4T			
6	81408000160	PIPE,STEEL	1	M	12X1.4T			
7	80301010100	FITTING	9		KUA12-000N			
8	81408000160	PIPE,STEEL	4	M	12X1.4T			
9	37002433110	HOSE	1		L=580 TO 570			
10	37002413190	HOSE	3		L=550			
11	80305010100	FITTING,TEE	3		KTA12-000N			
12	37002454540	HOSE	3		L=415			
13	80320030075	FITTING,ELBOW	3		KLE12-020N			
14	81408000160	PIPE,STEEL	4	M	12X1.4T			
15	81408000160	PIPE,STEEL	4	M	12X1.4T			
16	81408000160	PIPE,STEEL	4	M	12X1.4T			
17	91002801400	O-RING	9		1B P14			
18	80400160129	JOINT	1					
19	81408000160	PIPE,STEEL	2	M	12X1.4T			
20	81408000160	PIPE,STEEL	2	M	12X1.4T			
21	81408000160	PIPE,STEEL	1	M	12X1.4T			
22	81408000160	PIPE,STEEL	1	M	12X1.4T			
23	37002453140	HOSE	1		L=800			
24	81408000160	PIPE,STEEL	2	M	12X1.4T			
25	81408000160	PIPE,STEEL	2	M	12X1.4T			
26	81408000160	PIPE,STEEL	1	M	12X1.4T			
27	37000907450	JOINT	1					
28	81408000160	PIPE,STEEL	4	M	12X1.4T			
29	81408000341	PIPE,STEEL	3	M	28X3.1T			
30	81408000241	PIPE,STEEL	3	M	18X1.9T			
31	37000711410	CLAMP ASSY	4		12-4			
32	37000711010	CLAMP ASSY	5		18X1			
33	37000711060	CLAMP ASSY	4		28X1			
34	80301010241	FITTING	1		KUA28-000N			
35	80301010160	FITTING	1		KUA18-000N			
36	81408000341	PIPE,STEEL	2	M	28X3.1T			
37	81408000241	PIPE,STEEL	2	M	18X1.9T			
38	80303130241	FITTING,ELBOW	2		KLO18-040E			
39	80320030080	FITTING,ELBOW	1		KLE12-030N			
40	81408000160	PIPE,STEEL	1	M	12X1.4T			
41	80400160127	JOINT	2					
42	81408000160	PIPE,STEEL	2	M	12X1.4T			
43	37000711480	CLAMP ASSY	1					
44	80430620400	JOINT	6					
45	80302090241	FITTING	2		KCO18-040N			
46	91002801800	O-RING	6		1B P18			
47	37005700020	CLAMP	2		12X2			
48	80302090161	FITTING	8		KCO12-030N			
49	81408000160	PIPE,STEEL	1	M	12X1.4T			
50	81408000130	PIPE,STEEL	1	M	10X1.8T			
51	80303130171	FITTING,ELBOW	1		KLO12-040E			
52	80303010160	FITTING,ELBOW	1		KLA18-000N			
53	37000926040	JOINT	1					
54	37000923430	JOINT	1					
55	80400160131	JOINT	3					
56	80320010140	FITTING	1		KUD18-040N			
57	90101208060	BOLT	1		M8X60			
58	90302040801	WASHER,SPRING	1		8			
59	91002801100	O-RING	3		1B P11			
60	81408000160	PIPE,STEEL	1	M	12X1.4T			
61	81408000160	PIPE,STEEL	1	M	12X1.4T			
62	81408000160	PIPE,STEEL	2	M	12X1.4T			
63	37000714040	CLAMP ASSY	1		18X2			
64	37000300740	SLEEVE	1		18-12			

AT-320X-1 43013130101 UPPER, LOWER, HINO 2KG-FC2AGBA-BBABAD

Pos No.	Parts No	Parts Name	Qty	Unit	Technical Data	Serial No (Start)	Serial No (End)	Remarks
1	42655152101	CASE	1					
2	42654272100	COVER ASSY	1					
3	34354781710	RELAY (WITH BRACKET)	11					
6	80197585012	SCREW,MACHINE	15		M5X12			
7	90302040601	WASHER,SPRING	7		6			
8	90201200600	NUT	1		M6			
9	90303070601	WASHER,PLAIN	8		6			
10	82100002016	CLAMP	1		WR25			
11	80182306014	SCREW,MACHINE	6		M6X14			
13	42655152300	SUPPORT	1					
14	82161300010	RELAY	2					
15	90186206010	BOLT,FLANGE	2		M6X10			
31	42654272110	COVER	1					
32	42653235321	COVER	1					
33	90813106015	BOLT	2		M6X15			
34	90302040601	WASHER,SPRING	2		6			
35	90303070601	WASHER,PLAIN	2		6			
100	42655152001	RELAY BOX ASSY	1					

AT-320X-1 43013130101 UPPER, LOWER, HINO 2KG-FC2AGBA-BBABAD

Pos No.	Parts No	Parts Name	Qty	Unit	Technical Data	Serial No (Start)	Serial No (End)	Remarks	P
1	42231681003	TABLE,SLEWING	1						
2	31630482500	CAP	1						
3	37001500420	BOLT	13		M20X60				
4	90303502001	WASHER,PLAIN	13		20				
5	37000509190	PLATE	2						
6	90171112030	BOLT	4		M12X30				
7	90302041201	WASHER,SPRING	4		12				
8	37000175720	PIN	2						
9	37000507730	PLATE	1						
10	90171320045	BOLT	1		M20X45				
11	90302042001	WASHER,SPRING	1		20				
12	37000505950	PLATE	1		T=3.2				
13	90171110022	BOLT	1		M10X22				
14	90302041001	WASHER,SPRING	5		10				
15	42230210010	PIN	1						
16	42340240700	GROMMET	2						
17	42231560010	GROMMET	2						
18	(*****)	PIPING ASSY,GREASE	1						00
19	82459103000	NIPPLE,GREASE	1		C-PT1/8				
21	42232481000	SUPPORT	1						
22	90101210022	BOLT	4		M10X22				
23	90201201000	NUT	4		M10				
24	90303071001	WASHER,PLAIN	4		10				

AT-320X-1 43013130101 UPPER, LOWER, HINO 2KG-FC2AGBA-BBABAD

Pos No.	Parts No	Parts Name	Qty	Unit	Technical Data	Serial No (Start)	Serial No (End)	Remarks	Pa
1	44550527580	SWITCH,MICRO	1						
2	44550527570	COVER	1						
3	44350247560	SPRING (FOR PEDAL)	1						
4	82109901050	PEDAL	1						
5	82109905010	PACKING	1						
6	44350247580	PLATE (WITH SCREW)	1						
100	44350240100	SWITCH ASSY	1						

AT-320X-1 43013130101 UPPER, LOWER, HINO 2KG-FC2AGBA-BBABAD

Pos No.	Parts No	Parts Name	Qty	Unit	Technical Data	Serial No (Start)	Serial No (End)	R
1	80316070080	PLUG	1		PF1/2			
2	80316090040	PLUG SOCKET	1		R1/4			
3	52255101000	SPRING	1					
4	36601510010	VALVE,CHECK	1					
5	91002801600	O-RING	3		1B P16			
6	36607260010	BODY,VALVE	1					
7	36601510050	VALVE,CHECK	1					
8	36600070020	SPRING	1					
9	36600160010	COVER	1					
10	91002803800	O-RING	1		1B P38			
11	90172108014	BOLT,HEXAGON SOCKET	4		M8X14			
12	91002801800	O-RING	1		1B P18			
13	91002801100	O-RING	1		1B P11			
100	36607260000	VALVE ASSY,COUNTERBALANCE	1					

AT-320X-1 43013130101 UPPER, LOWER, HINO 2KG-FC2AGBA-BBABAD

Pos No.	Parts No	Parts Name	Qty	Unit	Technical Data	Serial No (Start)	Serial No (End)	Rem
1	42460015010	BAG,TOOL	1					
2	91991510003	HEXAGON BARWRENCH (G3)	1					
3	91991510004	HEXAGON BARWRENCH (G4)	1					
4	91991510005	HEXAGON BARWRENCH (G5)	1					
5	91991510006	HEXAGON BARWRENCH (G6)	1					
6	91991510008	HEXAGON BARWRENCH (G8)	1					
7	91991510010	HEXAGON BARWRENCH (G10)	1					
8	91991441311	SPANNER	1		13X11			
50	42473931000	TOOLS	1					

AT-320X-1 43013130101 UPPER, LOWER, HINO 2KG-FC2AGBA-BBABAD

Pos No.	Parts No	Parts Name	Qty	Unit	Technical Data	Serial No (Start)	Serial No (End)
1	42738400000	WOOD BLOCK (WITH RUBBER,T=100)	1				

AT-320X-1 43013130101 UPPER, LOWER, HINO 2KG-FC2AGBA-BBABAD

Pos No.	Parts No	Parts Name	Qty	Unit	Technical Data	Serial No (Start)	Serial No (End)	Remarks	Pages
1	42990170100	FENDER	1						
2	42991080100	FENDER	1						
3	42991080200	FENDER	1						
4	42990170300	FENDER	1						
5	42990170400	FENDER	1						
6	42990170500	FENDER	1						
7	42696717000	SUPPORT	2						
8	37000505950	PLATE	24		T=3.2				
9	90101210022	BOLT	26		M10X22				
10	90302041001	WASHER,SPRING	38		10				
11	90201201000	NUT	10		M10				
12	32200353500	SHIM	N		T=1.2				
13	90171110025	BOLT	12		M10X25				
14	42699642700	GUARD	1						
15	90302040801	WASHER,SPRING	2		8				
16	90201200800	NUT	2		M8				

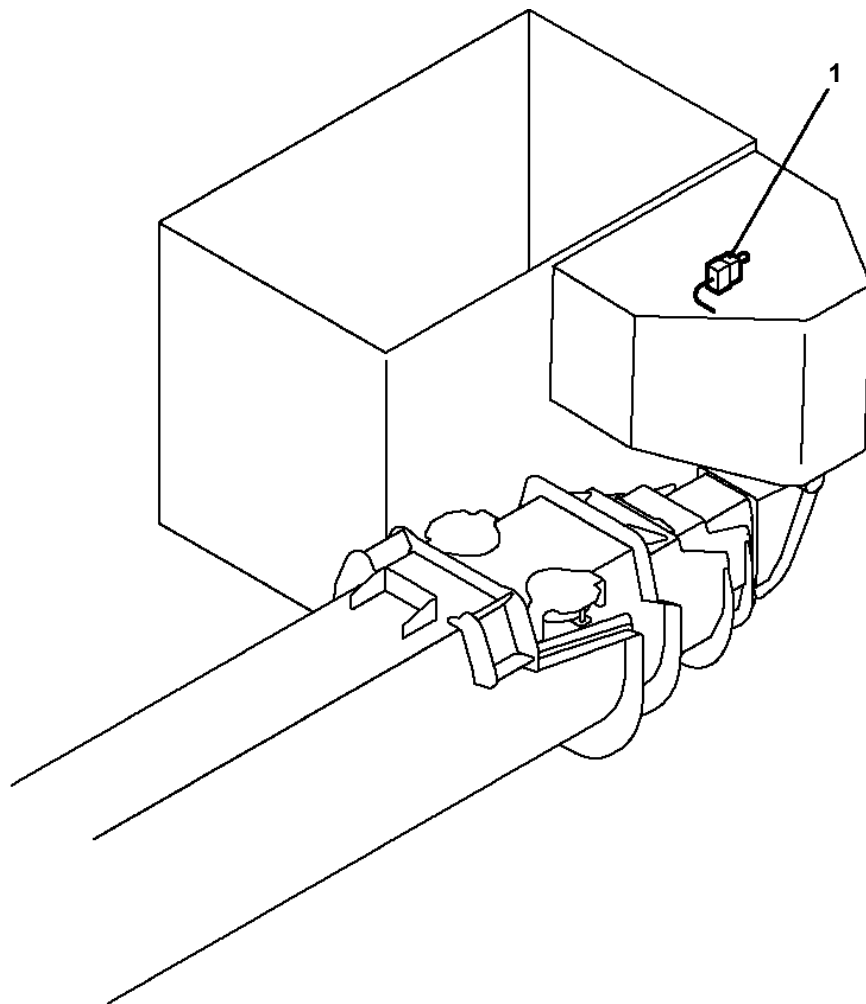
AT-320X-1 43013130101 UPPER, LOWER, HINO 2KG-FC2AGBA-BBABAD

Pos No.	Parts No	Parts Name	Qty	Unit	Technical Data	Serial No (Start)	Serial No (End)	Remarks	Page
1	82440720040	PLATE,REFLECTOR	1						
3	90303070601	WASHER,PLAIN	16		6				
12	80182306012	SCREW,MACHINE	16		M6X12				

AT-320X-1 43013130101 UPPER, LOWER, HINO 2KG-FC2AGBA-BBABAD

Pos No.	Parts No	Parts Name	Qty	Unit	Technical Data	Serial No (Start)	Serial No (End)	Remarks
1	36102790000	TANK,OIL	1					
2	80400160129	JOINT	1					
3	90302040801	WASHER,SPRING	4		8			
4	91002802900	O-RING	2		1B P29			
5	42882760100	JOINT	1				371559	
6	80302090241	FITTING	1		KCO18-040N			
7	91002801800	O-RING	2		1B P18			
8	90201201000	NUT	4		M10			
9	36672280000	FILTER,OIL (YAMASHIN)	1					
10	31921573500	JOINT	1					
11	37002407740	HOSE	1		L=450			
12	80320030080	FITTING,ELBOW	1		KLE12-030N			
13	37000917480	JOINT	1		S G1/4-G3/8			
14	91002801100	O-RING	1		1B P11			
15	90171112025	BOLT	4		M12X25			
16	90302041201	WASHER,SPRING	4		12			
17	42645250100	FITTING,FLANGE	1					
18	42880120100	BAND	2					
19	56560009000	PIN	2					
20	42640150060	JOINT	1					
21	91002801400	O-RING	2		1B P14			
22	37002502430	HOSE	1		L=400			
23	91803600350	CLIP	4		D=25-35			
24	42881290102	SUPPORT	1				371577	
	42882760200	SUPPORT	1			371578		
25	91002904500	O-RING	1		1B G45			
26	90101208016	BOLT	4		M8X16			
27	37002433840	HOSE	1		L=510			
29	80320030140	FITTING,ELBOW	1		KLE18-040N			
30	37002509860	HOSE	1		L=460			
31	91803600400	CLIP	4		D=27-40			
32	80136030025	PIN,SPLIT	2					
33	90303071201	WASHER,PLAIN	2		12			
34	80316070080	PLUG	1		PF1/2			
35	42645120100	JOINT	1			371560		
36	80316030060	PLUG	1		PT3/8	371560		

**AT-320X-1 43013130101 UPPER, LOWER, HINO 2KG-FC2AGBA-BBABAD
PY4000090-00 OPTION UNIT,1 (LOWER)**



適用製造番号によっては取り付けがないものもあります。

MACHINES OF SOME SERIAL NO. ARE NOT EQUIPPED WITH THESE PARTS.

CLICK HERE TO **DOWNLOAD** THE COMPLETE MANUAL

- Thank you very much for reading the preview of the manual.
- You can download the complete manual from: www.heydownloads.com by clicking the link below



- Please note: If there is no response to CLICKING the link, please download this PDF first and then click on it.

CLICK HERE TO **DOWNLOAD** THE COMPLETE MANUAL