

AT-270-2 42083241300 LOWER,ISUZU TKG-FRR90S1-JAYN-M

PB3000275-00 POWER UNIT
PO1000123-00 INDICATION PLATES
PX2001563-01 CARRIER UNIT
PX3000814-00 MOUNTING UNIT
PY1001455-06 OPTIONS,1
ASSEMBLY

CLICK HERE TO **DOWNLOAD** THE COMPLETE MANUAL

- Thank you very much for reading the preview of the manual.
- You can download the complete manual from: www.heydownloads.com by clicking the link below



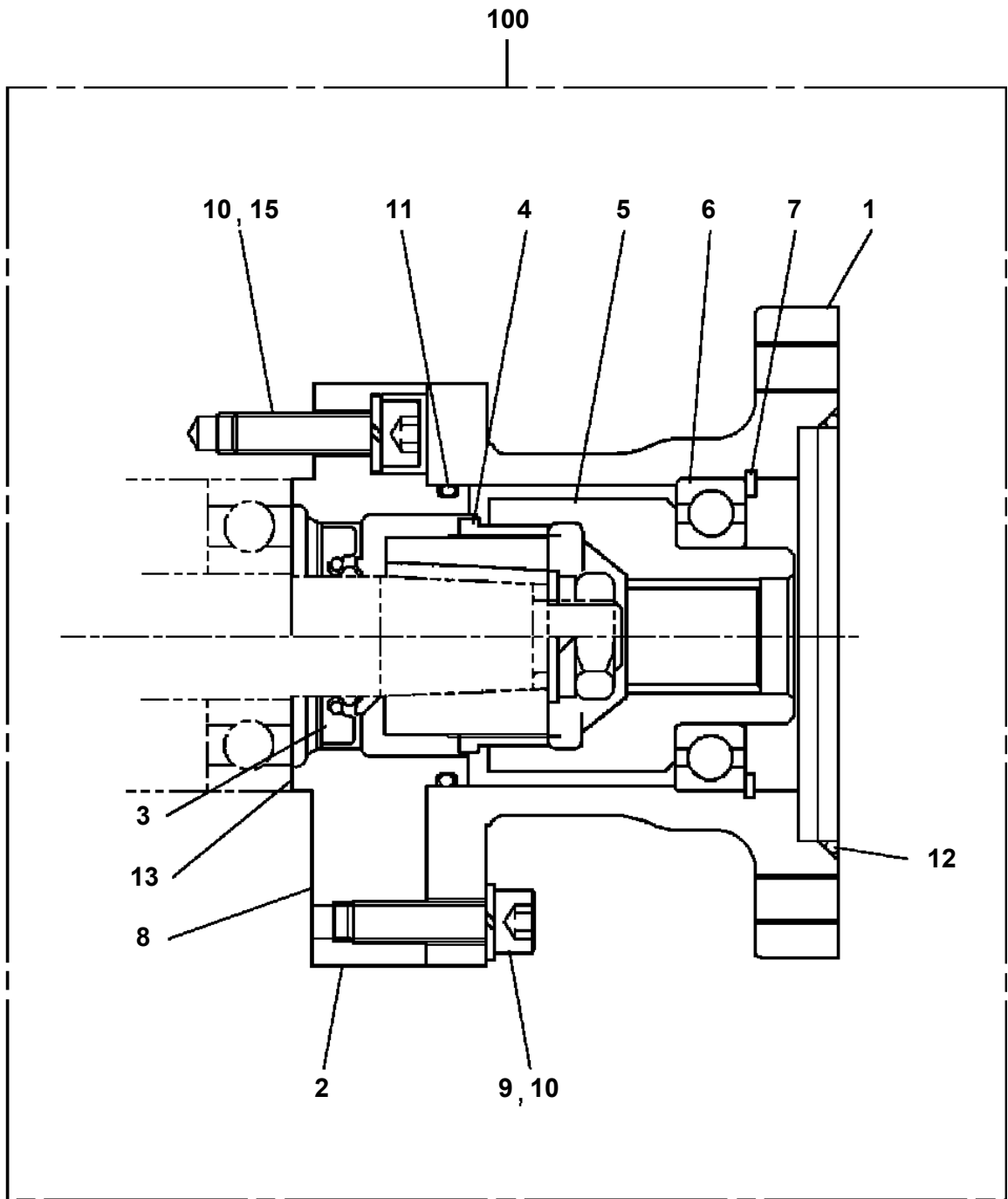
- Please note: If there is no response to CLICKING the link, please download this PDF first and then click on it.

CLICK HERE TO **DOWNLOAD** THE COMPLETE MANUAL

AT-270-2 42083241300 LOWER,ISUZU TKG-FRR90S1-JAYN-M

Pos No.	Parts No	Parts Name	Qty	Unit	Technical Data	Serial No (Start)	Serial No (End)
1	(*****)	ALARM SYSTEM	1				
2	(*****)	ALARM ASSY	1				
3	(*****)	GUARD ASSY (770X670X200,WITH HOOK)	1				
4	(*****)	ELEC.ASSY	1			371195	
5	(*****)	GUARD ASSY (950X950X200,WITH HOOK)	1				
6	(*****)	MOUNT ASSY,DECK ON CAB	1			371259	
7	(*****)	EARTH ASSY (8X10M,CROCODILE CLIP)	1			371343	
8	(*****)	GUARD ASSY (950X950X200,WITH HOOK)	1			371398	

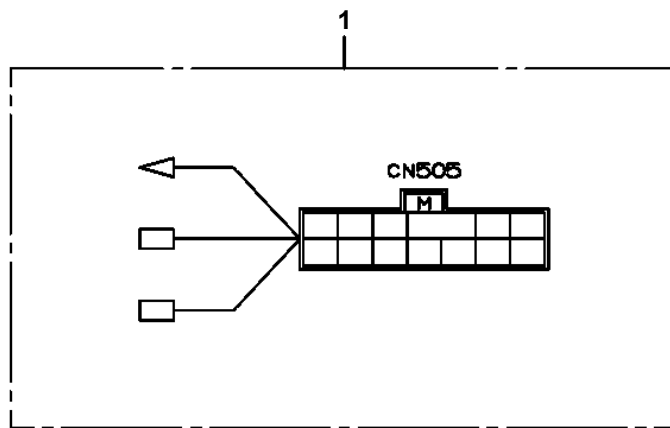
AT-270-2 42083241300 LOWER,ISUZU TKG-FRR90S1-JAYN-M
PC5530001-00 COUPLING ASSY



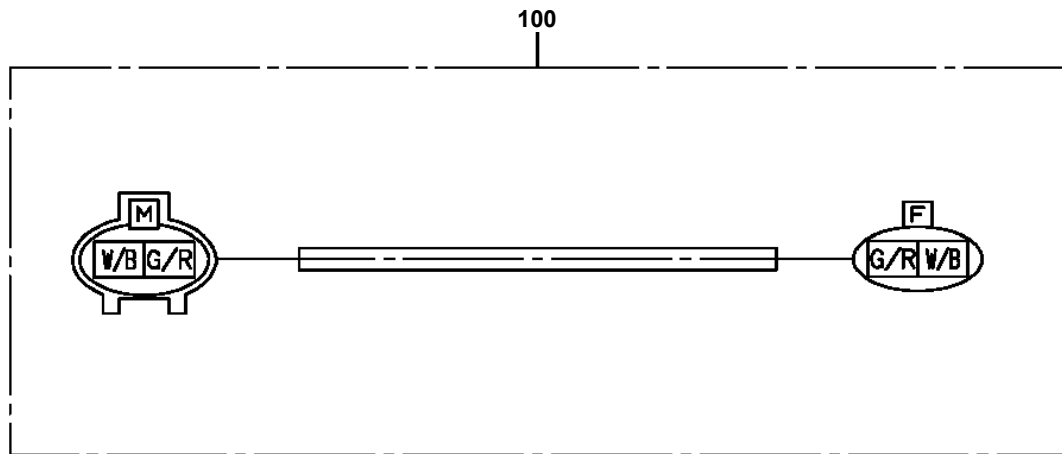
AT-270-2 42083241300 LOWER,ISUZU TKG-FRR90S1-JAYN-M

Pos No.	Parts No	Parts Name	Qty	Unit	Technical Data	Serial No (Start)	Serial No (End)
1	91810130240	FASTENER	15				
2	44471704020	TAPE	1	M			
3	42935740101	HARNESS	1				
4	82121101050	PLUG (BLACK/AV0.3 TO 0.5)	4				
5	82114101010	CONNECTOR	2				
6	82114102010	CONNECTOR (1P FEMALE,HOUSING)	2				
7	82111101010	TERMINAL	2				
8	82111101510	TERMINAL	2				
9	82115001002	CONNECTOR	6				
10	42935740200	HARNESS	1		L=30		

AT-270-2 42083241300 LOWER,ISUZU TKG-FRR90S1-JAYN-M
PH5030465-00 HARNESS

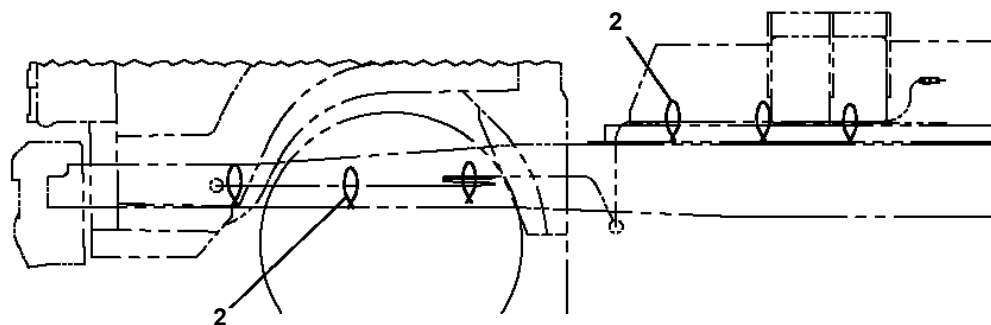
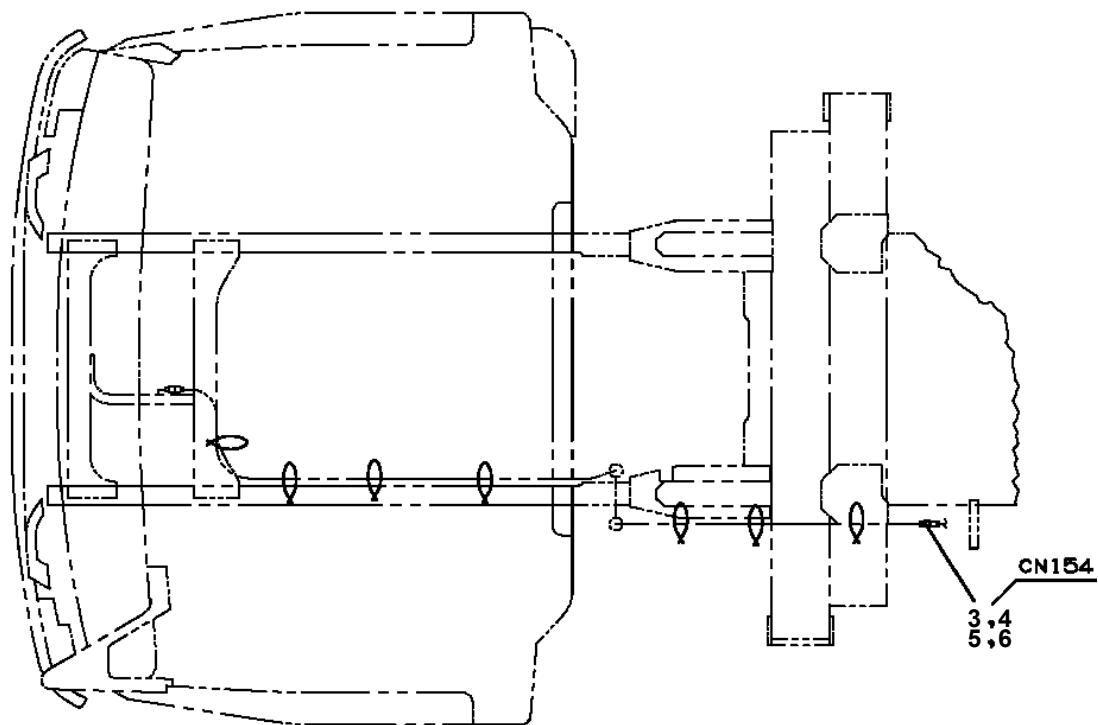


AT-270-2 42083241300 LOWER,ISUZU TKG-FRR90S1-JAYN-M
PH5034401-00 HARNESS



AT-270-2 42083241300 LOWER,ISUZU TKG-FRR90S1-JAYN-M
PL1031171-00 OPE.ASSY,ACCELERATOR

FRONT ←



AT-270-2 42083241300 LOWER,ISUZU TKG-FRR90S1-JAYN-M

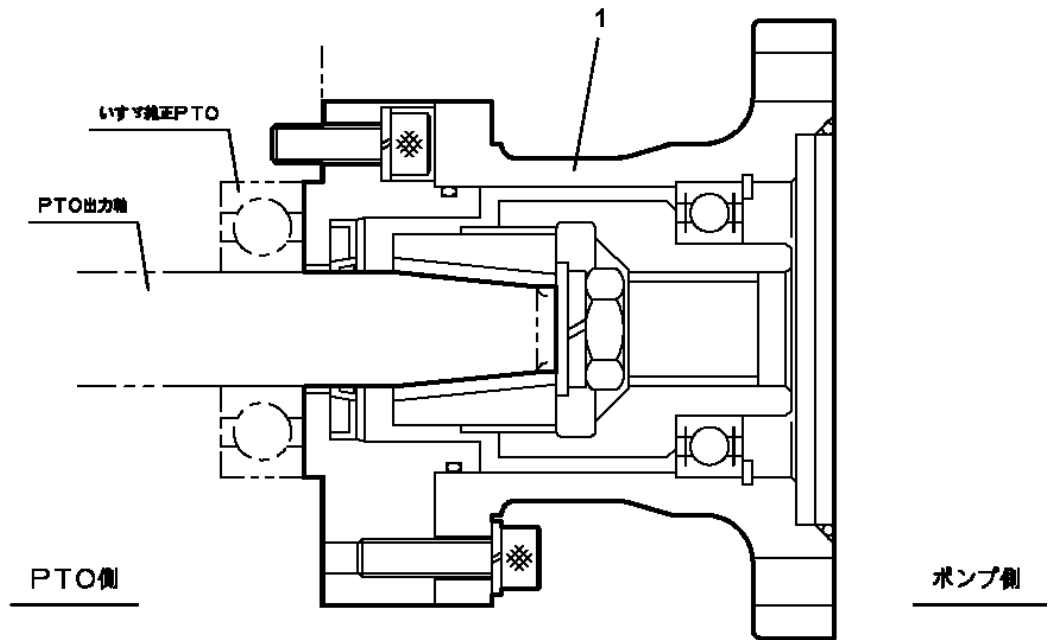
Pos No.	Parts No	Parts Name	Qty	Unit	Technical Data	Serial No (Start)	Serial No (End)	Rema
5	36160017550	HANDLE	1					
6	36160655020	SHAFT	1					
7	36160017560	WASHER,PLAIN	1					
10	36160017590	PLATE (CONTACT)	1					
50	36160370000	REEL,CORD (FOR EARTHING)	1					

AT-270-2 42083241300 LOWER,ISUZU TKG-FRR90S1-JAYN-M

Pos No.	Parts No	Parts Name	Qty	Unit	Technical Data	Serial No (Start)	Serial No (End)	Remarks
1	42873572000	SUPPORT ASSY	1				371479	
2	42873150400	CUSHION	1				371479	
3	90101208016	BOLT	4		M8X16		371479	
4	90302040801	WASHER,SPRING	4		8		371479	
5	90171114050	BOLT	4		M14X50			
6	90302041401	WASHER,SPRING	4		14			
7	42874810100	PLATE	1					
8	42874090100	PLATE,SLIDE	2				371479	
	42875970100	PLATE,SLIDE	2			371480		
9	90172108022	BOLT,HEXAGON SOCKET	8		M8X22			
10	90303070801	WASHER,PLAIN	8		8			
21	42873573000	SUPPORT	1			371480		

AT-270-2 42083241300 LOWER,ISUZU TKG-FRR90S1-JAYN-M
PX5580001-00 MOUNT ASSY,PTO

FRONT ←



CLICK HERE TO **DOWNLOAD** THE COMPLETE MANUAL

- Thank you very much for reading the preview of the manual.
- You can download the complete manual from: www.heydownloads.com by clicking the link below



- Please note: If there is no response to CLICKING the link, please download this PDF first and then click on it.

CLICK HERE TO **DOWNLOAD** THE COMPLETE MANUAL