

AT-270-2 42083241100 LOWER,ISUZU SKG-FRR90S1-JAYN-M

PB3000275-00 POWER UNIT
PO1000123-00 INDICATION PLATES
PX2001562-00 CARRIER UNIT
PX3000814-00 MOUNTING UNIT
PY1001455-06 OPTIONS,1
ASSEMBLY

CLICK HERE TO **DOWNLOAD** THE COMPLETE MANUAL

- Thank you very much for reading the preview of the manual.
- You can download the complete manual from: www.heydownloads.com by clicking the link below



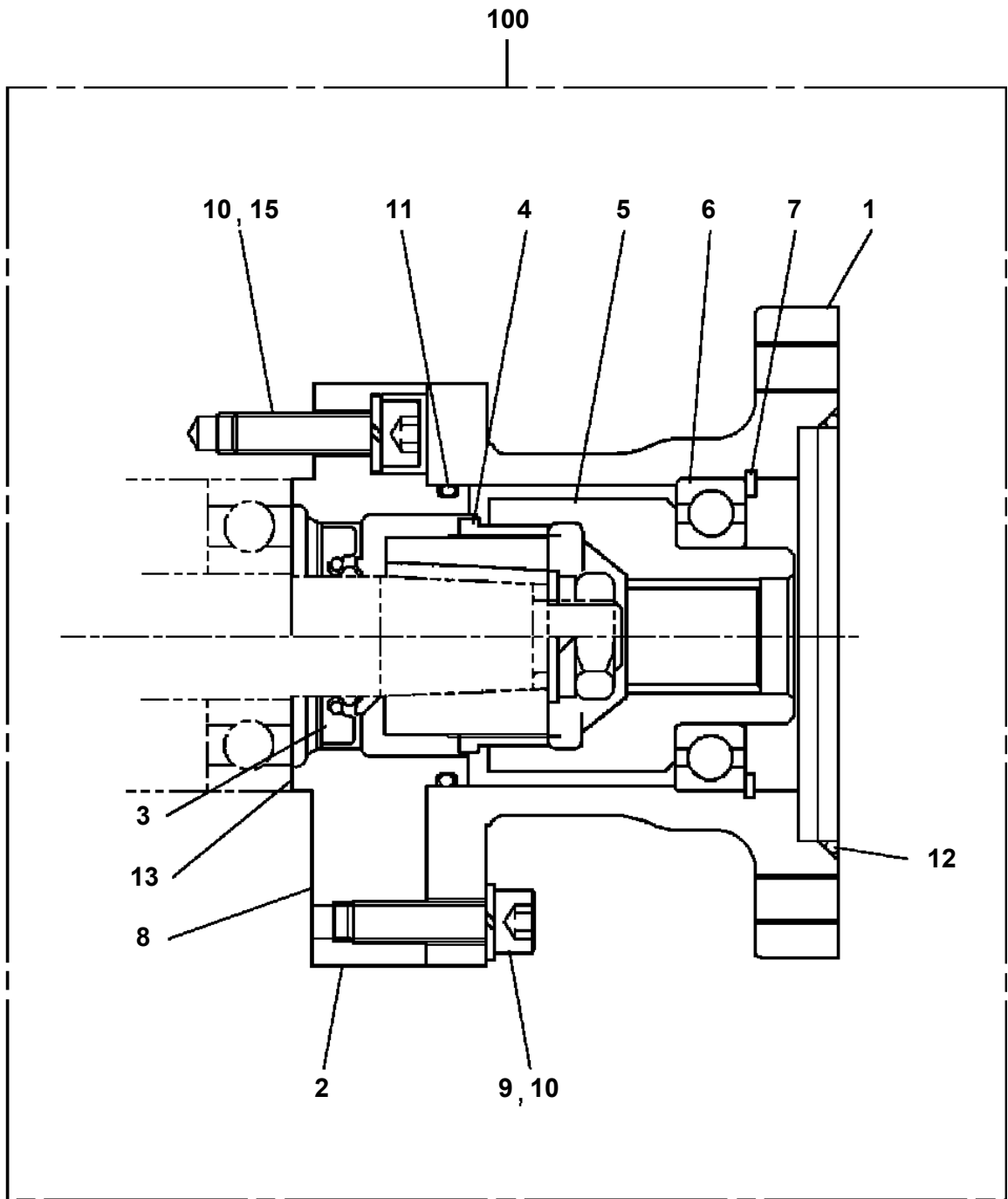
- Please note: If there is no response to CLICKING the link, please download this PDF first and then click on it.

CLICK HERE TO **DOWNLOAD** THE COMPLETE MANUAL

AT-270-2 42083241100 LOWER,ISUZU SKG-FRR90S1-JAYN-M

Pos No.	Parts No	Parts Name	Qty	Unit	Technical Data	Serial No (Start)	Serial No (End)
1	(*****)	ALARM SYSTEM	1				
2	(*****)	ALARM ASSY	1				
3	(*****)	GUARD ASSY (770X670X200,WITH HOOK)	1			371091	
4	(*****)	ELEC.ASSY	1			371195	
5	(*****)	GUARD ASSY (950X950X200,WITH HOOK)	1				
6	(*****)	MOUNT ASSY,DECK ON CAB	1			371259	
7	(*****)	EARTH ASSY (8X10M,CROCODILE CLIP)	1			371343	
8	(*****)	GUARD ASSY (950X950X200,WITH HOOK)	1			371398	

AT-270-2 42083241100 LOWER,ISUZU SKG-FRR90S1-JAYN-M
PC5530001-00 COUPLING ASSY



AT-270-2 42083241100 LOWER,ISUZU SKG-FRR90S1-JAYN-M

Pos No.	Parts No	Parts Name	Qty	Unit	Technical Data	Serial No (Start)	Serial No (End)
1	91810130240	FASTENER	15				
2	44471704020	TAPE	1	M			
3	42935740101	HARNESS	1				
4	82121101050	PLUG (BLACK/AV0.3 TO 0.5)	4				
5	82114101010	CONNECTOR	2				
6	82114102010	CONNECTOR (1P FEMALE,HOUSING)	2				
7	82111101010	TERMINAL	2				
8	82111101510	TERMINAL	2				
9	82115001002	CONNECTOR	6				
10	42935740200	HARNESS	1		L=30		

AT-270-2 42083241100 LOWER,ISUZU SKG-FRR90S1-JAYN-M

Pos No.	Parts No	Parts Name	Qty	Unit	Technical Data	Serial No (Start)	Serial No (End)	Remarks	Pages
10	42971441500	HARNESS	1						
	42971441500	HARNESS	1						

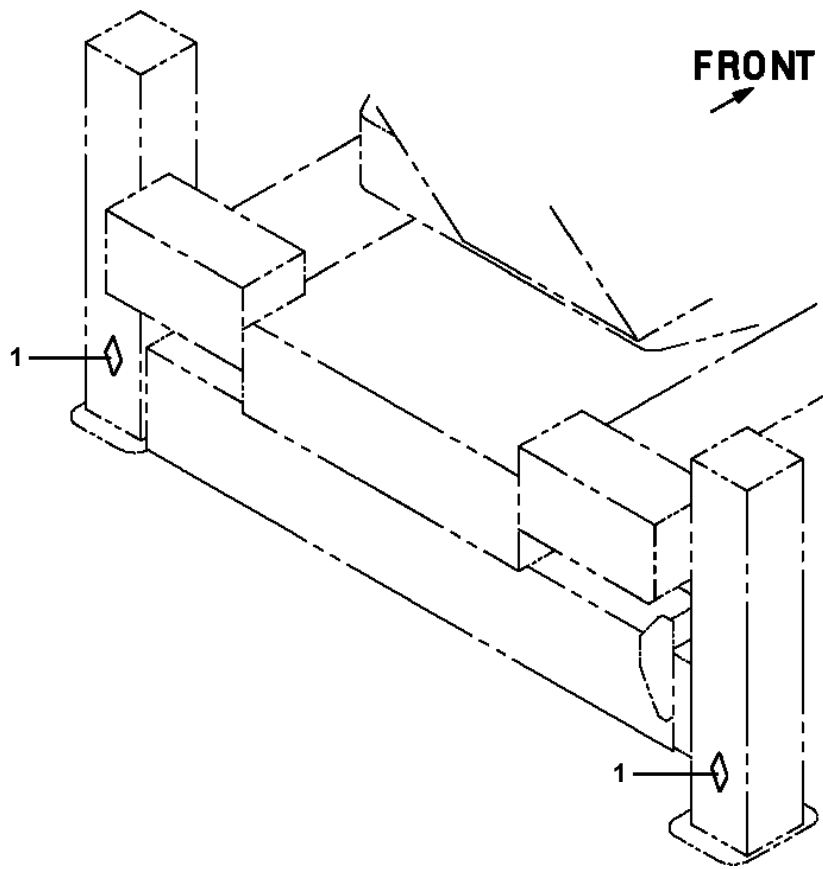
AT-270-2 42083241100 LOWER,ISUZU SKG-FRR90S1-JAYN-M

Pos No.	Parts No	Parts Name	Qty	Unit	Technical Data	Serial No (Start)	Serial No (End)	Remarks	Pages
3	36625060040	SPRING	1						
4	36625515020	PLUG	1						
5	91002801800	O-RING	1		1B P18				
50	36625510000	VALVE,CHECK	1						

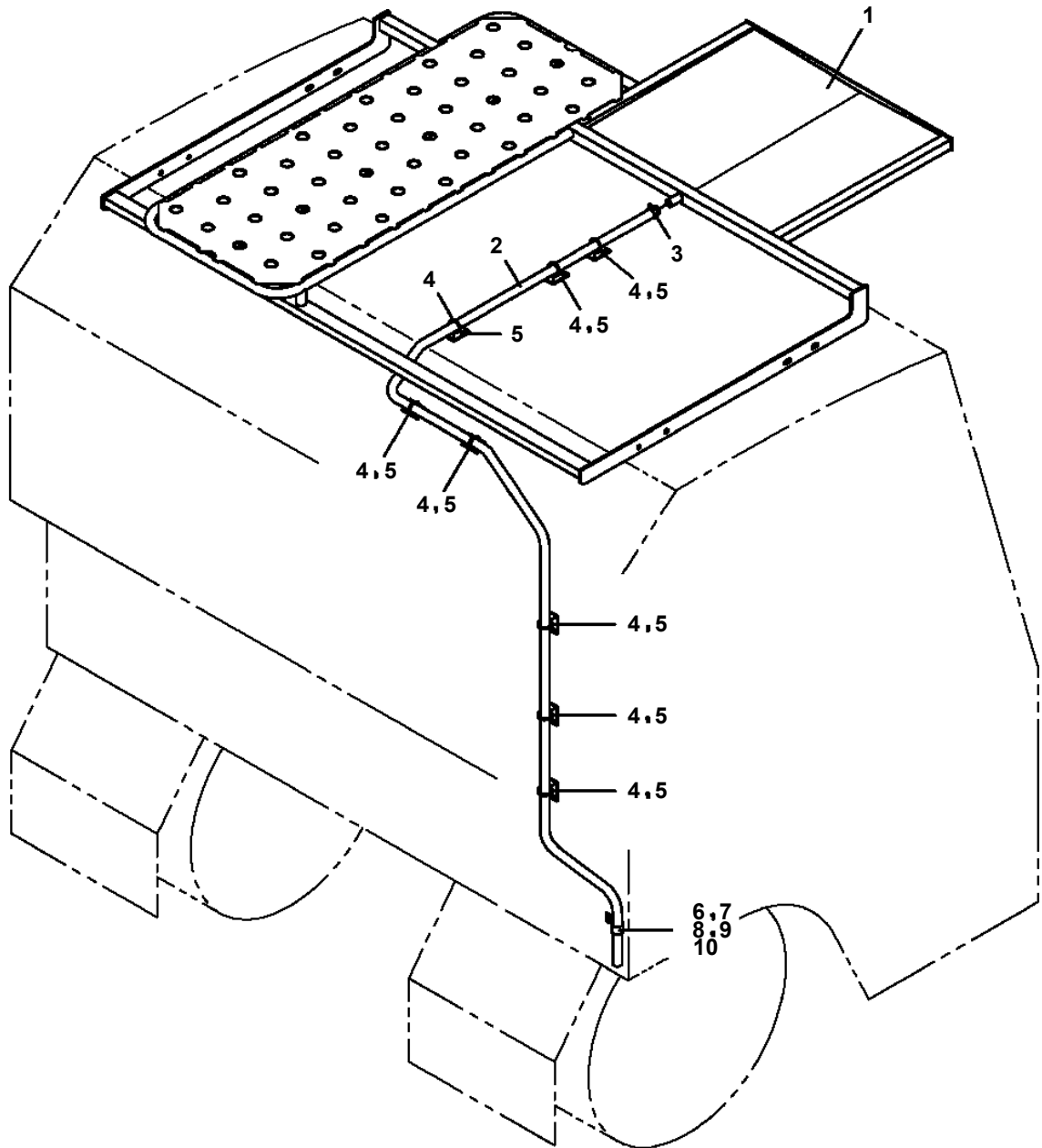
AT-270-2 42083241100 LOWER,ISUZU SKG-FRR90S1-JAYN-M

Pos No.	Parts No	Parts Name	Qty	Unit	Technical Data	Serial No (Start)	Serial No (End)	Remarks	Page
1	42971433100	HARNESS	1						0000
2	82100001801	TUBE,CORRUGATE	1	M	7				

**AT-270-2 42083241100 LOWER,ISUZU SKG-FRR90S1-JAYN-M
PX1360078-00 REFLECTOR (REAR)**



AT-270-2 42083241100 LOWER,ISUZU SKG-FRR90S1-JAYN-M
PX5290048-01 MOUNT ASSY,DECK ON CAB



AT-270-2 42083241100 LOWER,ISUZU SKG-FRR90S1-JAYN-M

Pos No.	Parts No	Parts Name	Qty	Unit	Technical Data	Serial No (Start)	Serial No (End)	Remarks	Pages
1	42775510100	GUARD,SIDE	1				371485		
	42775510101	GUARD,SIDE	1			371486			
2	42775510200	GUARD,SIDE	1				371485		
	42775510202	GUARD,SIDE (L)	1			371486			
3	42776371000	GUARD,SIDE	1				371113		
	42776371001	GUARD,SIDE	1			371114			
4	42776372000	GUARD,SIDE	1				371113		
	42776372001	GUARD,SIDE	1			371114			
5	42776373000	GUARD,SIDE	1				371485		
	42776375000	GUARD,SIDE	1			371486			
6	42776374000	GUARD,SIDE	1						
7	90101210025	BOLT	16		M10X25				
8	90302041001	WASHER,SPRING	26		10				
9	90201201000	NUT	12		M10				
10	90171110020	BOLT	6		M10X20				
11	90171110035	BOLT	4		M10X35				
12	90303071001	WASHER,PLAIN	8		10				
13	90201781000	NUT	10		M10				

CLICK HERE TO **DOWNLOAD** THE COMPLETE MANUAL

- Thank you very much for reading the preview of the manual.
- You can download the complete manual from: www.heydownloads.com by clicking the link below



- Please note: If there is no response to CLICKING the link, please download this PDF first and then click on it.

CLICK HERE TO **DOWNLOAD** THE COMPLETE MANUAL