

AT-230-2 42014230300 LOWER,HINO KK-FC3JGDA-BN

PB3000154-00 POWER UNIT
PO1000149-00 INDICATION PLATES
PX2000697-00 CARRIER UNIT
PX3000408-00 MOUNTING UNIT
PY1001033-00 OPTIONS
ASSEMBLY

CLICK HERE TO **DOWNLOAD** THE COMPLETE MANUAL

- Thank you very much for reading the preview of the manual.
- You can download the complete manual from: www.heydownloads.com by clicking the link below



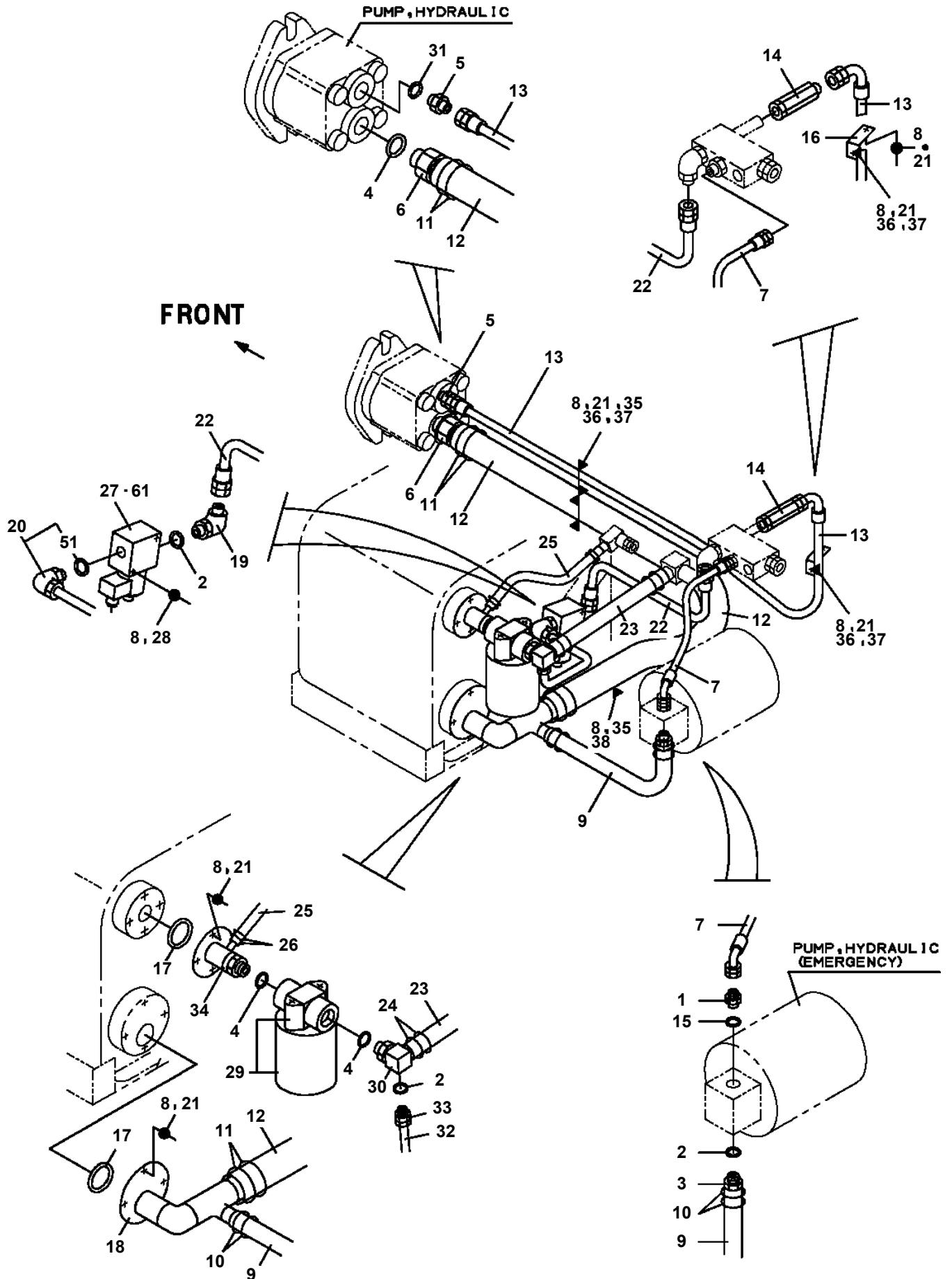
- Please note: If there is no response to CLICKING the link, please download this PDF first and then click on it.

CLICK HERE TO **DOWNLOAD** THE COMPLETE MANUAL

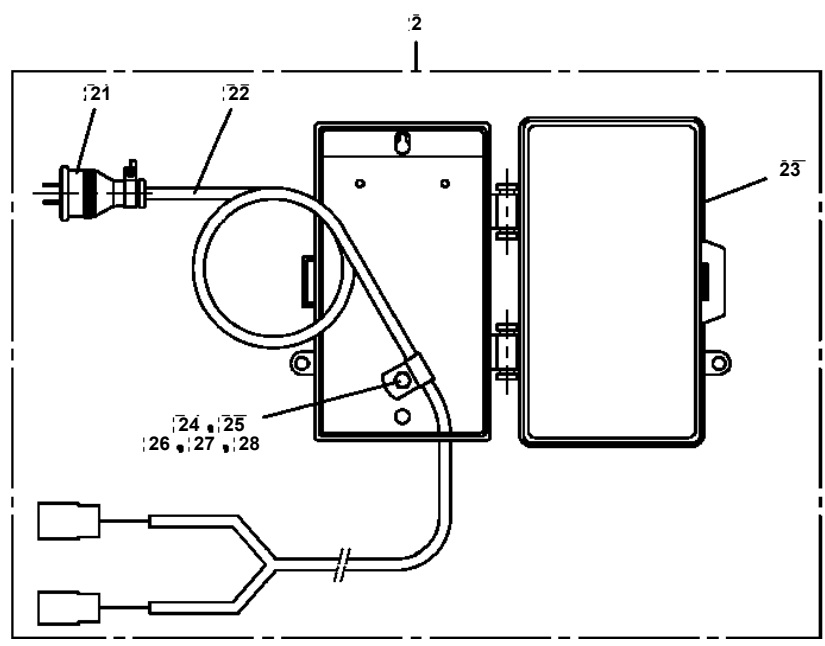
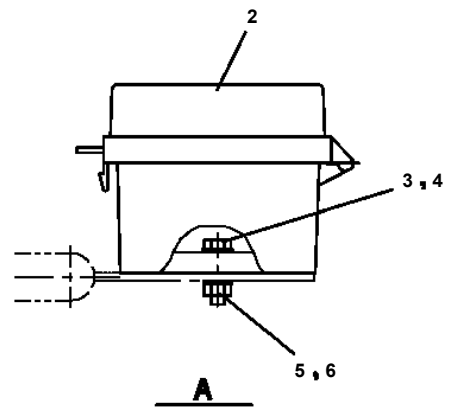
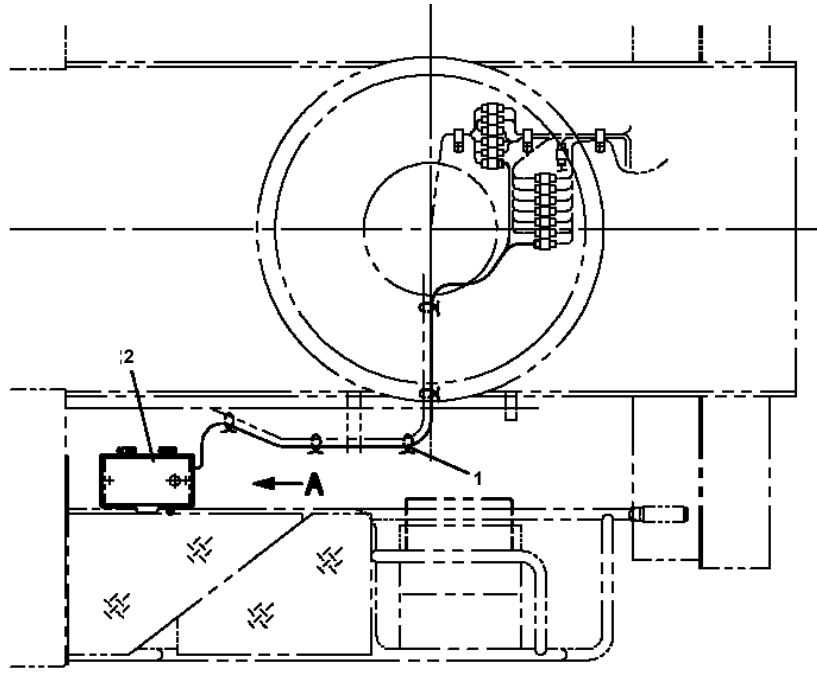
AT-230-2 42014230300 LOWER,HINO KK-FC3JGDA-BN

Pos No.	Parts No	Parts Name	Qty	Unit	Technical Data	Serial No (Start)	Serial No (End)
1	(*****)	LAMP (BOOM REST,WORKING)	1				
2	(*****)	LAMP (FOR ANA,BOOM REST,WORKING)	1				
3	(*****)	COVER (RELAY BOX CONNECT.)	1				
11	(*****)	LAMP (FLICKER)	1				

**AT-230-2 42014230300 LOWER,HINO KK-FC3JGDA-BN
PB1411808-00 PIPING,LOWER**



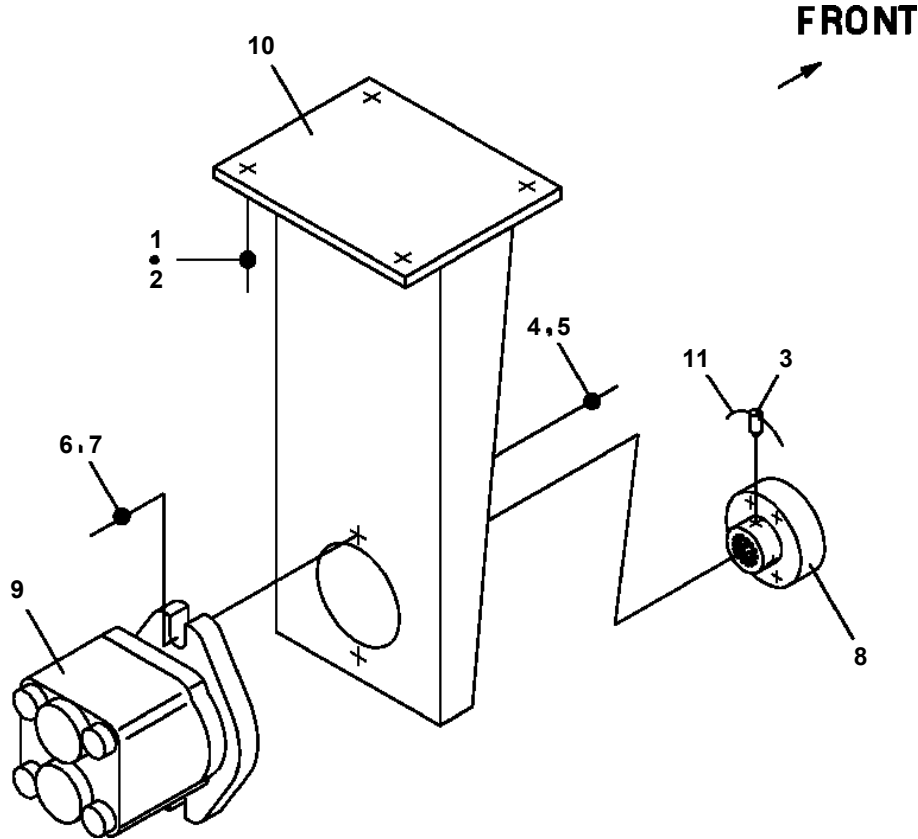
AT-230-2 42014230300 LOWER, HINO KK-FC3JGDA-BN
PN1011728-01 ELEC. ASSY (POWER SOURCE)



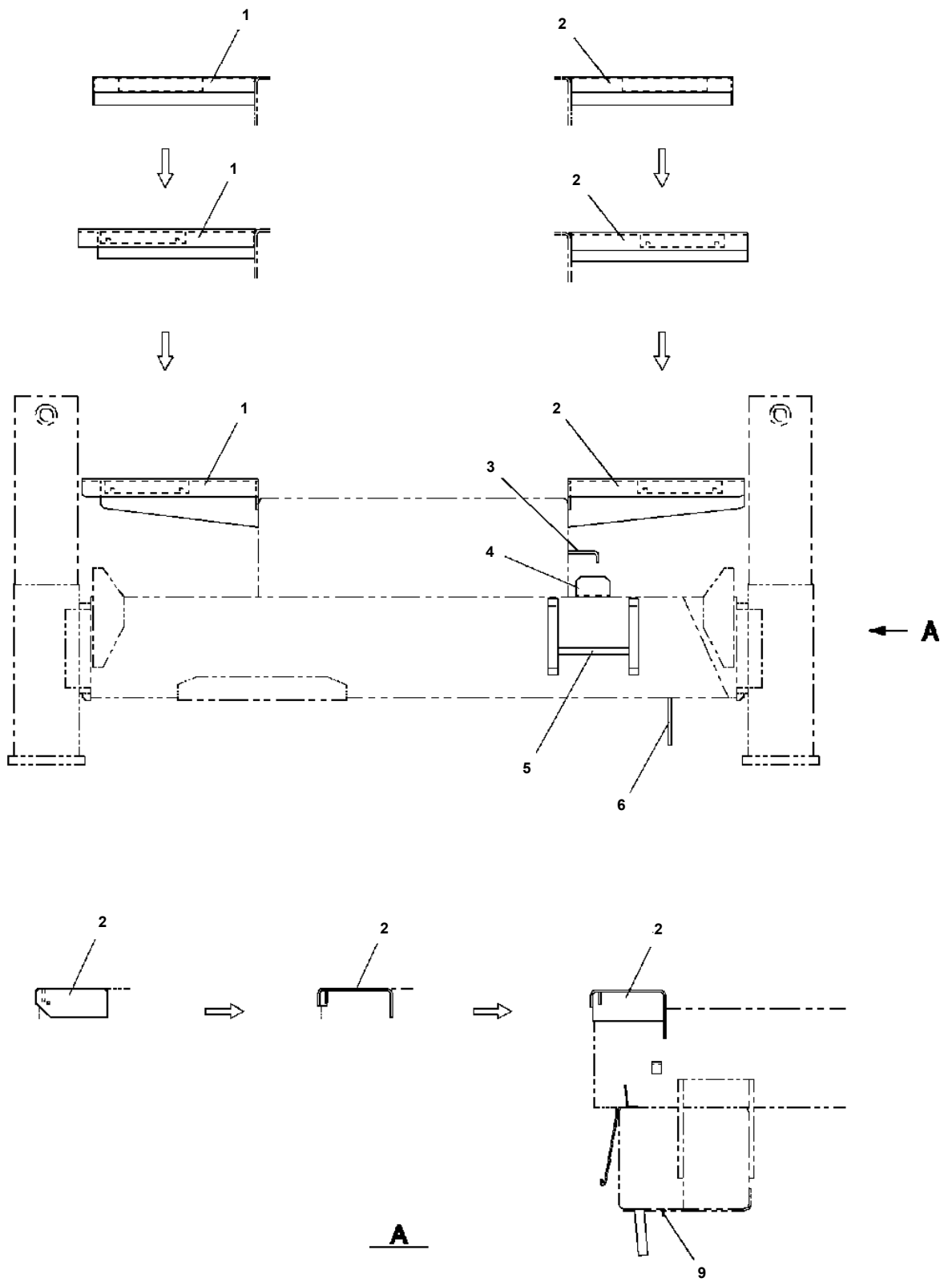
AT-230-2 42014230300 LOWER,HINO KK-FC3JGDA-BN

Pos No.	Parts No	Parts Name	Qty	Unit	Technical Data	Serial No (Start)	Serial No (End)	Remarks	Pages
1	42880120010	SUPPORT	1						
2	90201201000	NUT	4		M10				
3	59460009000	BAND	2						
4	37000507620	PLATE	2						
5	56560009000	PIN	2						
6	80136330025	PIN,SPLIT	2						
7	90303071201	WASHER,PLAIN	2		12				
8	37000525230	BAR	2						
9	90101512025	BOLT	4		M12X25				
10	90302041201	WASHER,SPRING	4		12				
20	59460090060	BAND ASSY	2						
28	37000508640	PLATE	2						
29	37000508650	PLATE	4						

**AT-230-2 42014230300 LOWER,HINO KK-FC3JGDA-BN
PX1220373-00 PUMP INSTALLATION**



**AT-230-2 42014230300 LOWER,HINO KK-FC3JGDA-BN
PX1810021-01 MOUNT,SUPPORT (TAIL LAMP)**



CLICK HERE TO **DOWNLOAD** THE COMPLETE MANUAL

- Thank you very much for reading the preview of the manual.
- You can download the complete manual from: www.heydownloads.com by clicking the link below



- Please note: If there is no response to CLICKING the link, please download this PDF first and then click on it.

CLICK HERE TO **DOWNLOAD** THE COMPLETE MANUAL