

AT-220-1 42086120200 LOWER,MITSUBISHI KK-FE83EEY 6A2

PB3000065-01 POWER UNIT
PO1000149-00 INDICATION PLATES
PX2000421-01 CARRIER UNIT
PX3000275-00 MOUNTING UNIT
ASSEMBLY

CLICK HERE TO **DOWNLOAD** THE COMPLETE MANUAL

- Thank you very much for reading the preview of the manual.
- You can download the complete manual from: www.heydownloads.com by clicking the link below



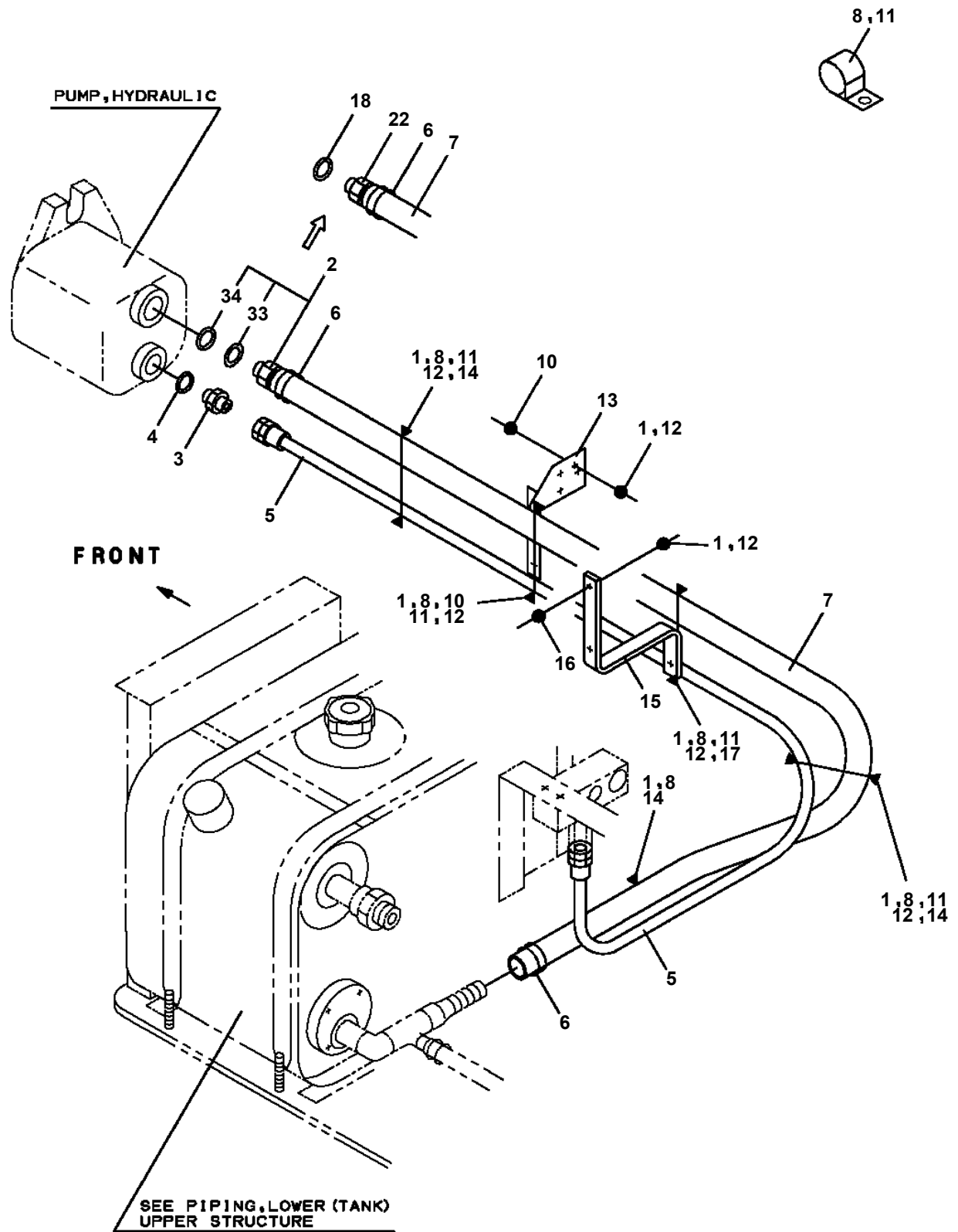
- Please note: If there is no response to CLICKING the link, please download this PDF first and then click on it.

CLICK HERE TO **DOWNLOAD** THE COMPLETE MANUAL

AT-220-1 42086120200 LOWER,MITSUBISHI KK-FE83EEY 6A2

Pos No.	Parts No	Parts Name	Qty	Unit	Technical Data	Serial No (Start)	Serial No (End)	Remarks	Page
1	36401425010	CASE	1						
2	36401425020	GEAR (TO)	1						
3	36400765030	SHAFT	1						
4	36401125040	SLEEVE	1						
5	36401135070	COLLAR	1						
6	36401875020	SHIFTER SET	1						
7	36400095110	PACKING	1						
8	80500006006	BEARING,BALL	1						
9	36400765050	BEARING,NEEDLE	1						
10	36401125080	BEARING,ROLLER	1						
11	36400765070	BEARING	1						
12	91206030005	SEAL,OIL	1						
13	36400095070	COVER (BEARING)	1						
14	36400095080	PACKING (COVER)	1						
15	36400095090	SHIM	N						
16	90191208014	BOLT	3		M8X14				
17	90302040801	WASHER,SPRING	7		8				
18	90191208020	BOLT	4		M8X20				
19	90191210080	BOLT	1		M10X80				
20	90191210090	BOLT	2		M10X90				
21	36400095150	BOLT,STUD	3		M10X1.25/1.5X43				
22	90302041001	WASHER,SPRING	6		10				
23	90267201000	NUT	3		M10				
24	36401125120	PACKING (CASE)	1						
25	42790801000	SUPPORT	1						
38	90191208020	BOLT	2		M8X20				
	90191208025	BOLT	2		M8X25				
50	36401630000	POWER TAKE OFF	1						

**AT-220-1 42086120200 LOWER, MITSUBISHI KK-FE83EEY 6A2
PB1411046-02 PIPING, LOWER**



AT-220-1 42086120200 LOWER,MITSUBISHI KK-FE83EEY 6A2

Pos No.	Parts No	Parts Name	Qty	Unit	Technical Data	Serial No (Start)	Serial No (End)	Remarks	Pages
1	(***** 90101208016	MOTOR,ELECTRIC	1						00001
2	90101208016	BOLT	4		M8X16				
3	90302040801	WASHER,SPRING	4		8				
4	91810130240	FASTENER	10						
5	42714372000	HARNESS	1						00001
6	42713630400	HARNESS	1		L=2060				

AT-220-1 42086120200 LOWER,MITSUBISHI KK-FE83EEY 6A2

Pos No.	Parts No	Parts Name	Qty	Unit	Technical Data	Serial No (Start)	Serial No (End)	Remarks	Pages
1	80172304016	SCREW,MACHINE	1		M4X16				
2	90302040401	WASHER,SPRING	2		4				
3	90201200400	NUT	1		M4				
4	42785440100	SUPPORT	1						

AT-220-1 42086120200 LOWER,MITSUBISHI KK-FE83EEY 6A2

Pos No.	Parts No	Parts Name	Qty	Unit	Technical Data	Serial No (Start)	Serial No (End)	Remarks	Pages
1	42773521001	GUARD,SIDE	1						
2	42773522001	GUARD,SIDE	1						
5	90186210025	BOLT,FLANGE	27		M10X25				
6	90186210030	BOLT,FLANGE	2		M10X30				
7	90280201000	NUT,FLANGE	21		M10				
8	42773525000	GUARD,SIDE	1						
9	42773526000	GUARD,SIDE	1						
10	90303071001	WASHER,PLAIN	4		10				
12	42773524003	GUARD,SIDE	1						
13	42773523002	GUARD,SIDE	1						

CLICK HERE TO **DOWNLOAD** THE COMPLETE MANUAL

- Thank you very much for reading the preview of the manual.
- You can download the complete manual from: www.heydownloads.com by clicking the link below



- Please note: If there is no response to CLICKING the link, please download this PDF first and then click on it.

CLICK HERE TO **DOWNLOAD** THE COMPLETE MANUAL