

**AT-200S-2 42076232311 UPPER, LOWER, HINO 2KG-XZU720M-TKFSH3**

**PB0000349-01 UPPER STRUCTURE SYSTEM**

**PB0000505-00 LOWER STRUCTURE SYSTEM**

**ASSEMBLY**

CLICK HERE TO **DOWNLOAD** THE COMPLETE MANUAL

- Thank you very much for reading the preview of the manual.
- You can download the complete manual from: [www.heydownloads.com](http://www.heydownloads.com) by clicking the link below



- Please note: If there is no response to CLICKING the link, please download this PDF first and then click on it.

CLICK HERE TO **DOWNLOAD** THE COMPLETE MANUAL

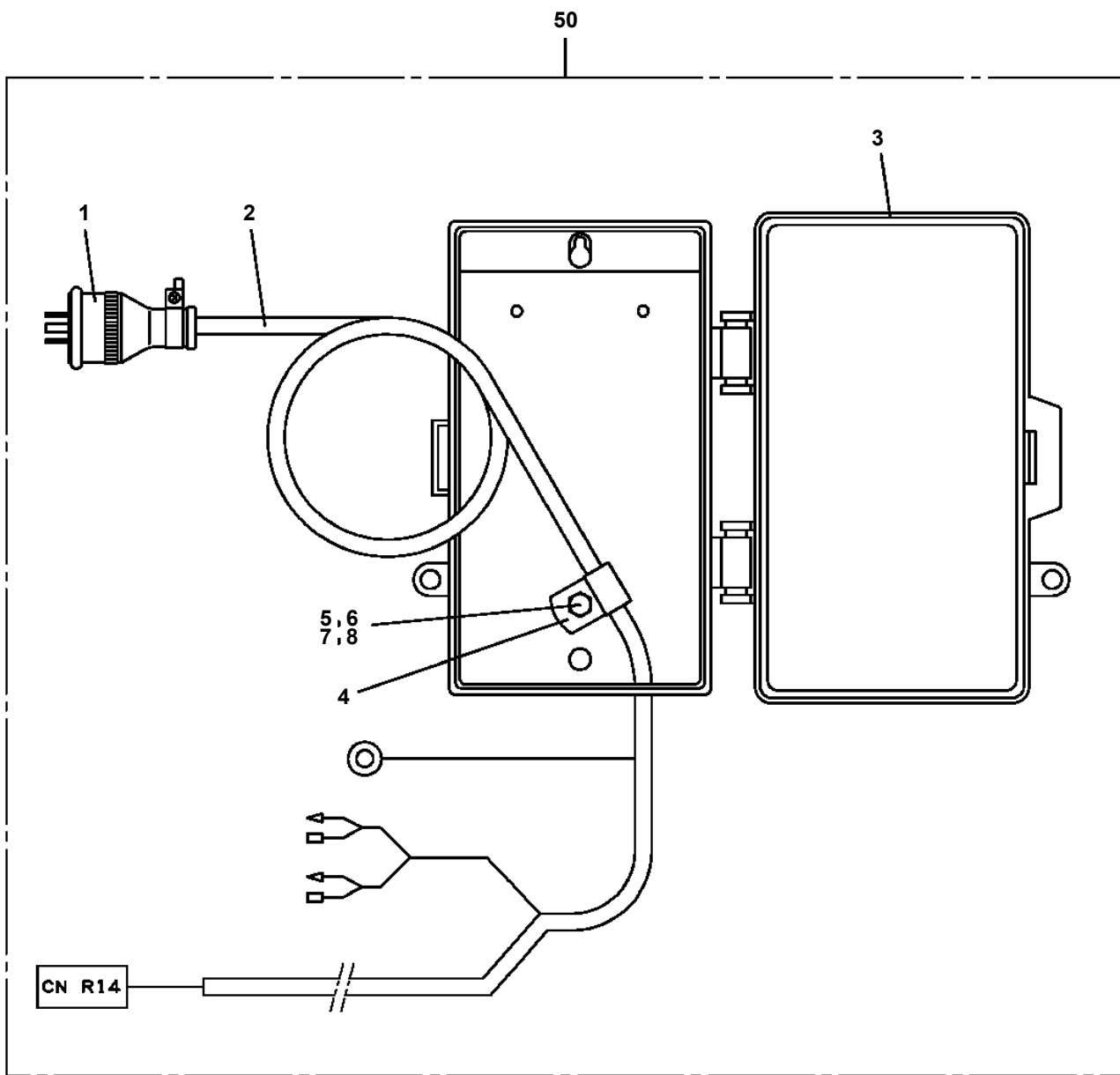
# AT-200S-2 42076232311 UPPER, LOWER, HINO 2KG-XZU720M-TKFSH3

Pos No.	Parts No	Parts Name	Qty	Unit	Technical Data	Serial No (Start)	Serial No (End)	Remarks	Pages
1	42791051000	COUPLING	1						000176

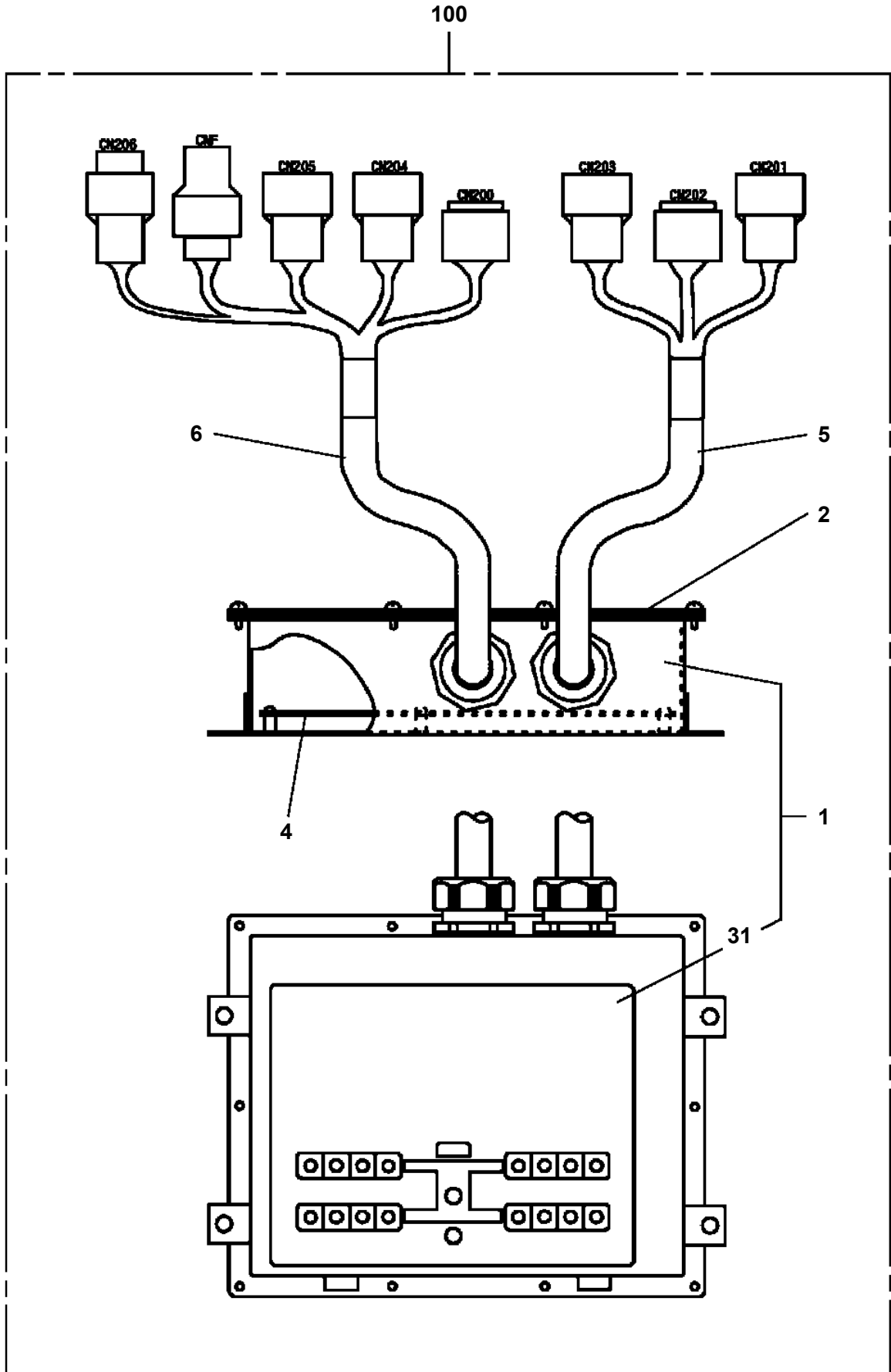
# AT-200S-2 42076232311 UPPER, LOWER, HINO 2KG-XZU720M-TKFSH3

Pos No.	Parts No	Parts Name	Qty	Unit	Technical Data	Serial No (Start)	Serial No (End)	Remarks	Pages
1	42265551000	BRUSH ASSY	1						
2	90101208020	BOLT	3		M8X20				
3	90302040801	WASHER,SPRING	5		8				
4	82100002012	CLAMP	1		WR18				
5	90186206016	BOLT,FLANGE	1		M6X16				
6	90280200600	NUT,FLANGE	1		M6				
7	42265550100	SUPPORT	1						
10	90101208014	BOLT	2		M8X14				

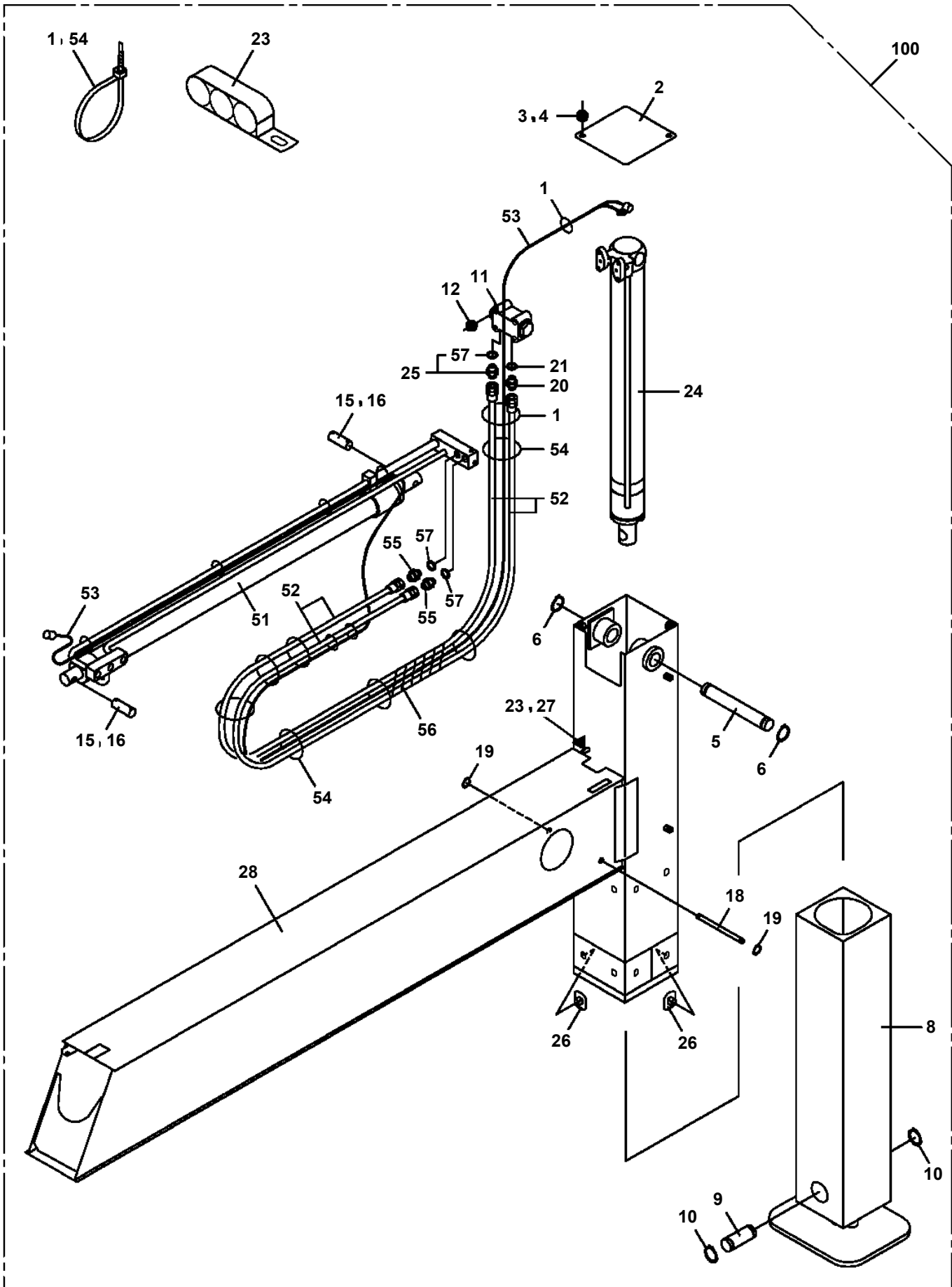
AT-200S-2 42076232311 UPPER, LOWER, HINO 2KG-XZU720M-TKFSH3  
PB5260098-00 BOX ASSY



AT-200S-2 42076232311 UPPER, LOWER, HINO 2KG-XZU720M-TKFSH3  
PC1190054-01 INDICATOR,OUTRIGGER



AT-200S-2 42076232311 UPPER, LOWER, HINO 2KG-XZU720M-TKFSH3  
PC5150234-00 CASE ASSY,INNER (FRONT)

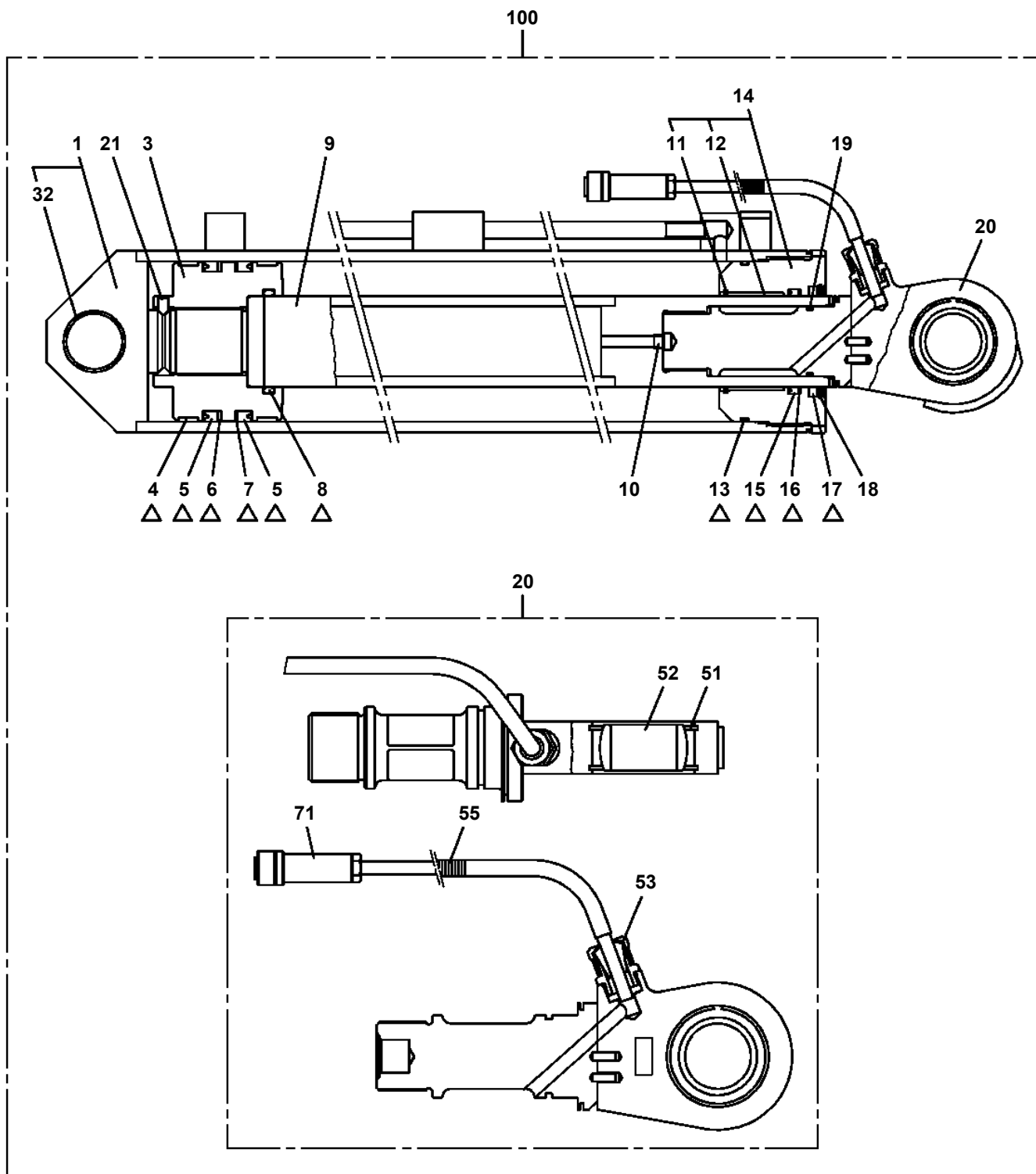


**AT-200S-2 42076232311 UPPER, LOWER, HINO 2KG-XZU720M-TKFSH3  
PC5420006-00 CONTROLLER (GSMT)**

100

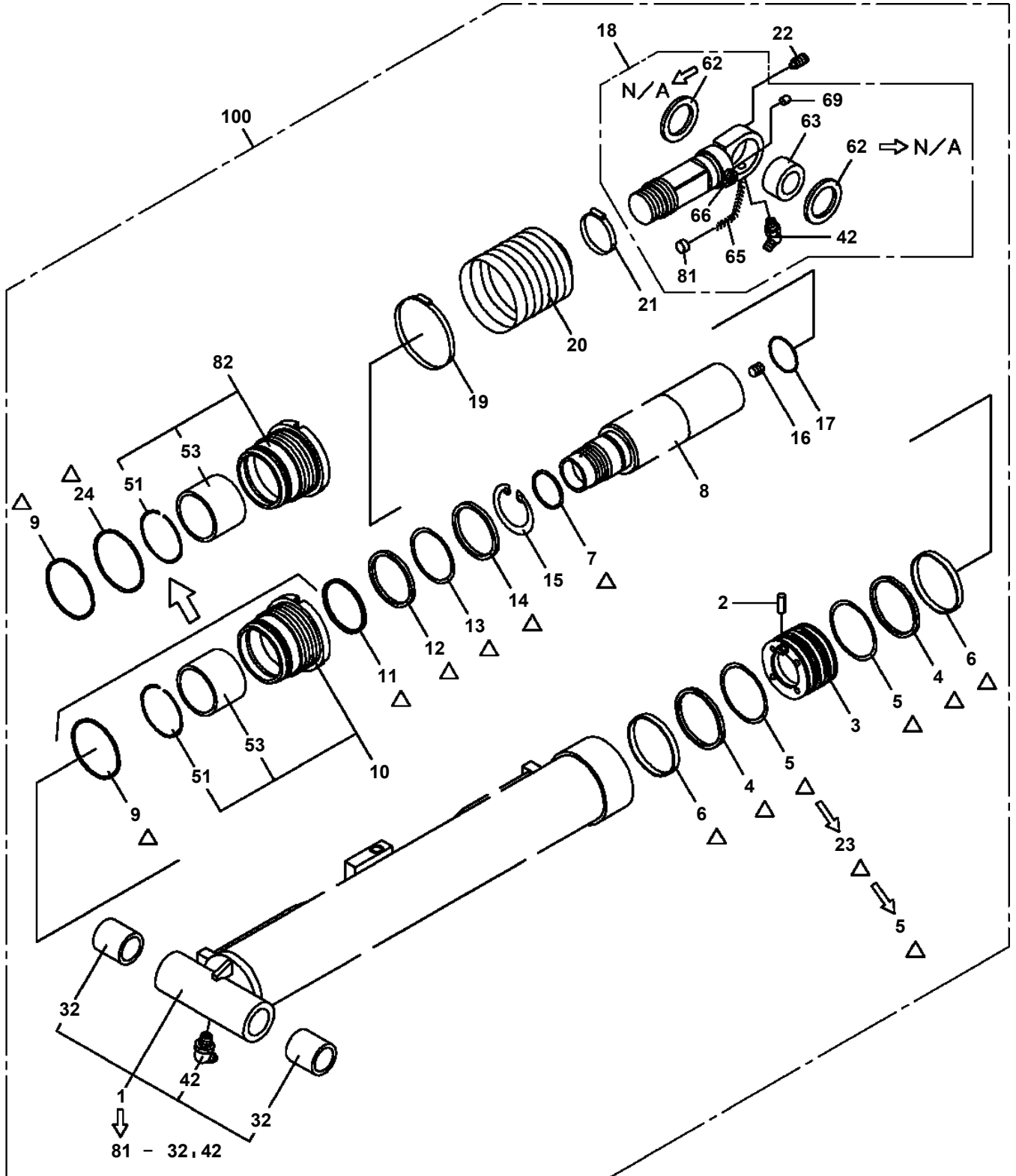


**AT-200S-2 42076232311 UPPER, LOWER, HINO 2KG-XZU720M-TKFSH3  
PC6400015-00 CYLINDER ASSY,LEVELING**



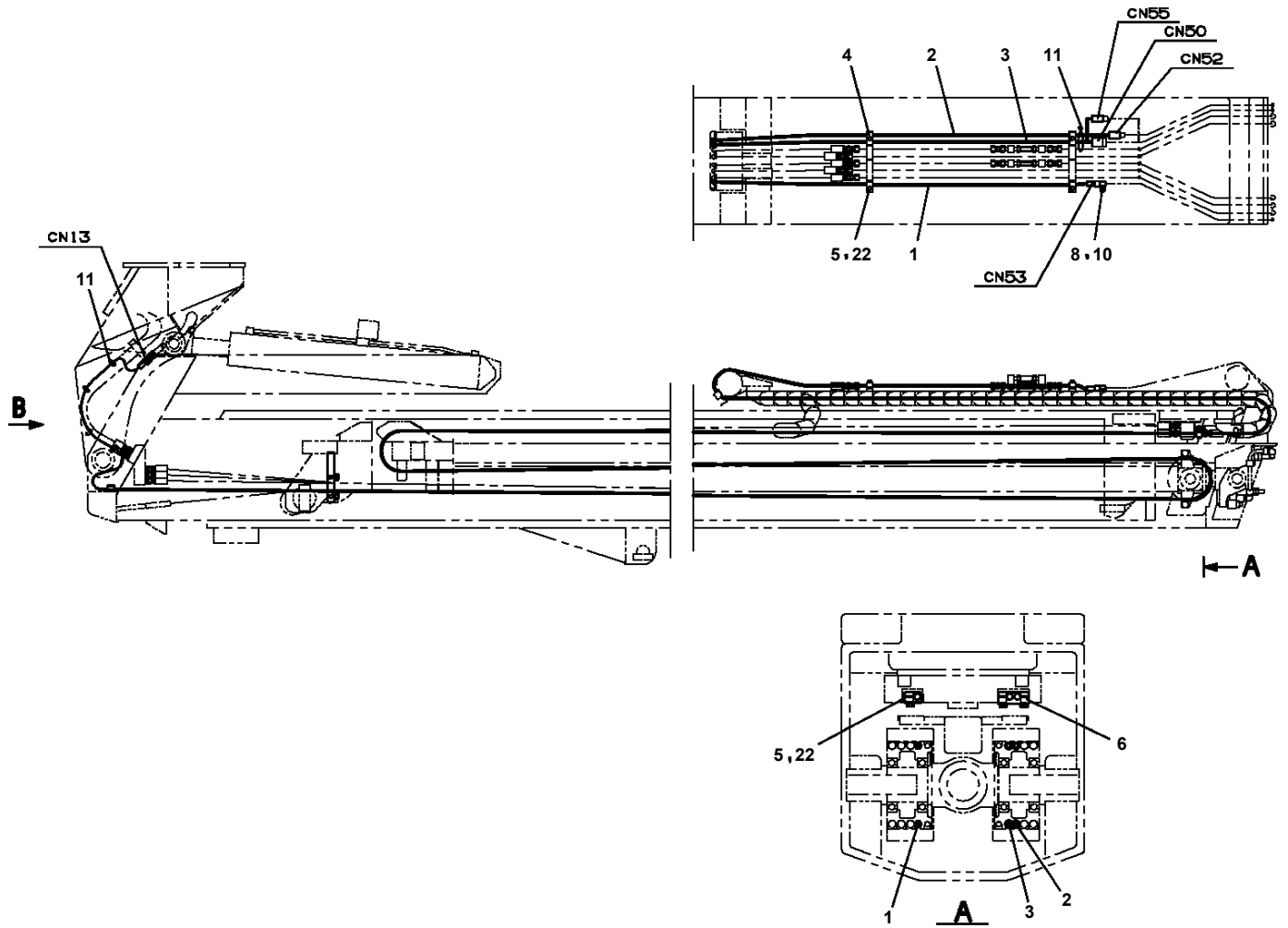
Δ:PACKING SET KEY NO.90 (KEY NO.4,5,6,7,8,13,15,16,17)

**AT-200S-2 42076232311 UPPER, LOWER, HINO 2KG-XZU720M-TKFSH3  
PE1010358-05 CYLINDER ASSY,DERRICK**



- △:PACKING SET KEY NO. 150 (KEY NO.4,5,6,7,9,11,12,13,14)
- ↓
- △:PACKING SET KEY NO. 151 (KEY NO.4,5,6,7,9,11,12,13,14,23)
- ↓
- △:PACKING SET KEY NO. 152 (KEY NO.4,5,6,7,9,11,12,13,14,23,24)
- ↓
- △:PACKING SET KEY NO. 153 (KEY NO.4,5,6,7,9,11,12,13,14,24)

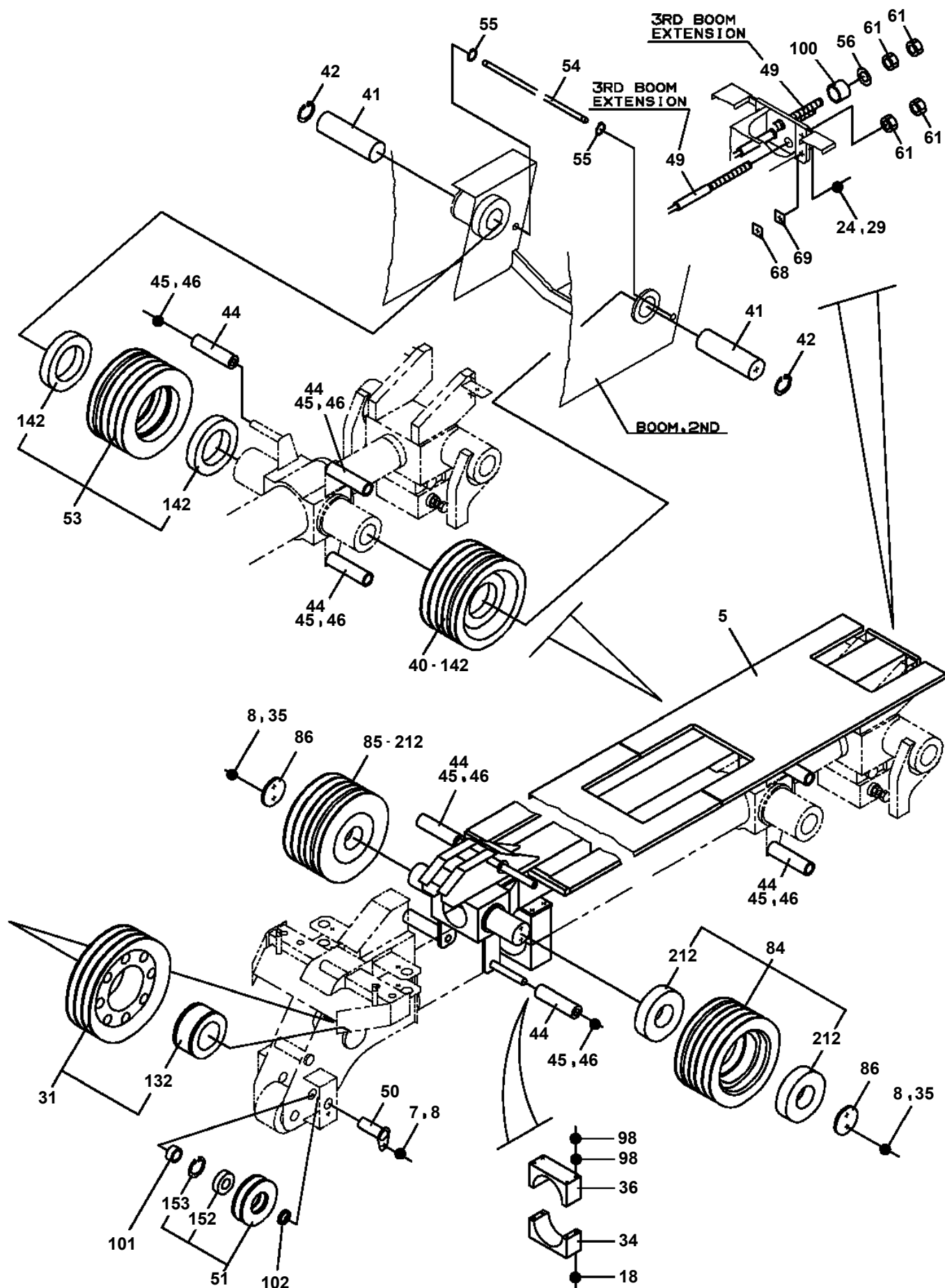
AT-200S-2 42076232311 UPPER, LOWER, HINO 2KG-XZU720M-TKFSH3  
PE5050022-00 ELEC.ASSY,BOOM



# AT-200S-2 42076232311 UPPER, LOWER, HINO 2KG-XZU720M-TKFSH3

Pos No.	Parts No	Parts Name	Qty	Unit	Technical Data	Serial No (Start)	Serial No (End)
1	80197586012	SCREW,MACHINE	2		M6X12		
2	42354541200	SWITCH ASSY (WITH HARNESS,1 SW)	1				
3	34354781720	RELAY (WITH HARNESS)	1				
5	34354781730	RELAY	2				
6	80192484016	SCREW,MACHINE	6		M4X16		HF5996
	80192484016	SCREW,MACHINE	16		M4X16	HF5997	
7	91810132530	FASTENER	24				
8	91850400601	CLAMP	4				
9	82100002007	CLAMP	1		WRC10		
10	90280200800	NUT,FLANGE	2		M8		
11	42358311000	PANEL ASSY	1				
12	90280200600	NUT,FLANGE	3		M6		
13	90101206020	BOLT	1		M6X20		
14	82100002012	CLAMP	1		WR18		
15	37000300730	SLEEVE	1		18-10		
16	37000300740	SLEEVE	2		18-12		
17	82100001411	TUBE,SPIRAL	1	M	SE-08BK		
18	90101206025	BOLT	4		M6X25		
19	90303070601	WASHER,PLAIN	4		6		
21	82467300116	PLUG	1				
22	42358340010	HARNESS	1				
23	42354590030	HARNESS	1				HF5923
	42358340020	HARNESS	1			HF5924	
25	42354590040	CABLE	1		L=3500		HF5923
	42358340030	CABLE	1		L=3500	HF5924	
26	82100002010	CLAMP	2		WR15		
27	80192484012	SCREW,MACHINE (WITH WASHER)	10		M4X12		HF5996
28	36171980000	CONTROLLER (ASSY ONLY)	1				
30	90101206010	BOLT	3		M6X1.0		
31	90302040601	WASHER,SPRING	7		6		
32	42232510100	HARNESS	1				
33	42350250090	PLUG (4 POLES,MALE)	1			HF5924	

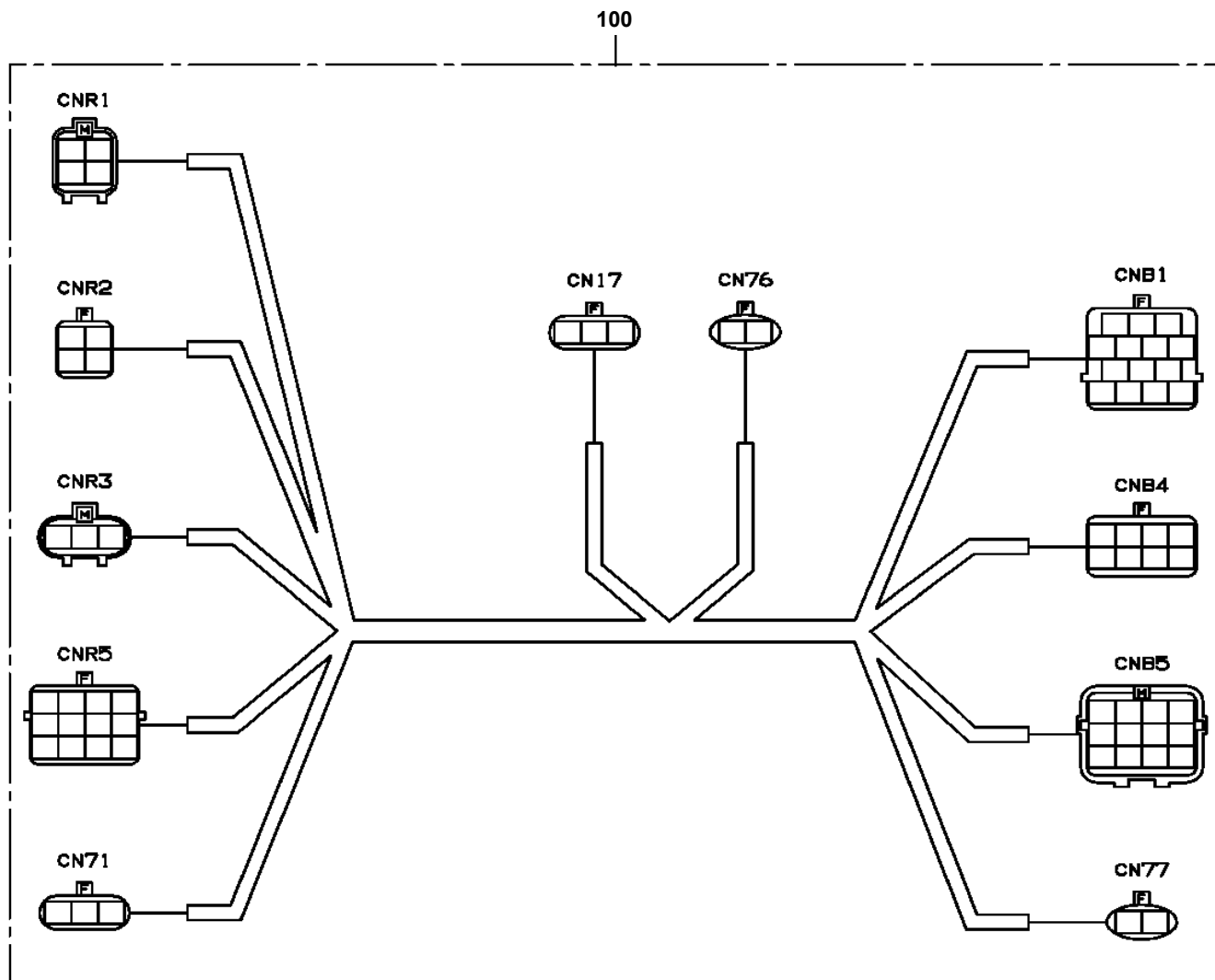
**AT-200S-2 42076232311 UPPER, LOWER, HINO 2KG-XZU720M-TKFSH3  
PG1010920-01 BOOM**



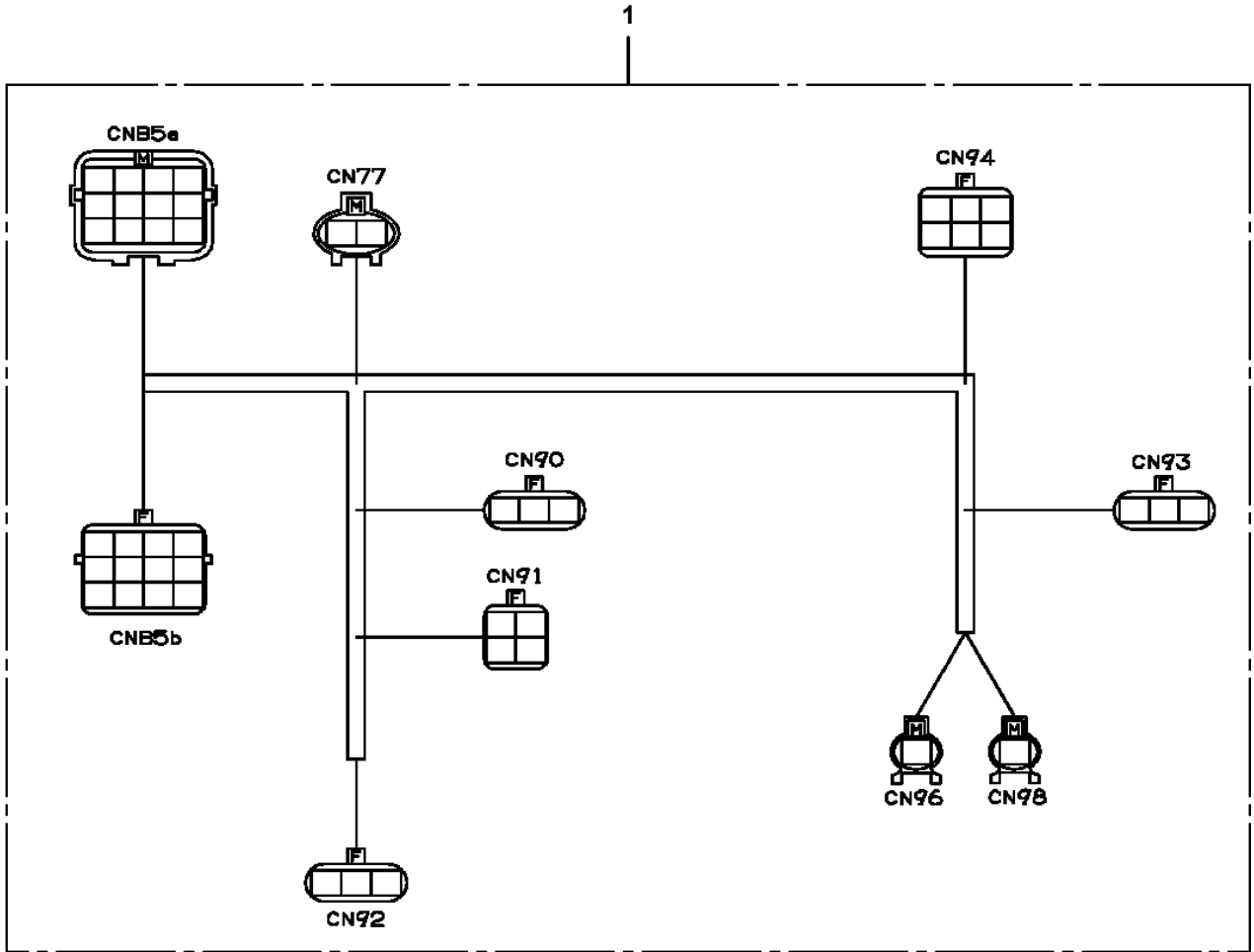
## AT-200S-2 42076232311 UPPER, LOWER, HINO 2KG-XZU720M-TKFSH3

Pos No.	Parts No	Parts Name	Qty	Unit	Technical Data	Serial No (Start)	Serial No (End)	Remark
1	36132015010	PLATE (BASE)	1					
2	36131845010	CASE	1					
3	36132015020	DRUM ASSY	1					
4	36132015030	COVER	1					
5	31370105030	PACKING	1					
6	31370005030	PACKING	1					
7	36130235090	WASHER,SEAL	1					
8	36131825030	BRACKET	1					
9	36131825040	CABLE ASSY	1					
10	36132015040	POTENTIOMETER	1					
11	36130235100	CLAMP (CORD)	1					
12	36130045090	CLIP (NYLON)	1					
13	32360005150	CLIP (NYLON)	1					
14	36132015050	GEAR (A)	1					
15	36132015060	GEAR (B)	1					
18	36160435100	COLLAR	1					
19	31370005080	GUIDE (CORD)	1					
20	36131925020	WIRE ASSY	1					
100	36132010000	DETECTOR,BOOM LENGTH	1					

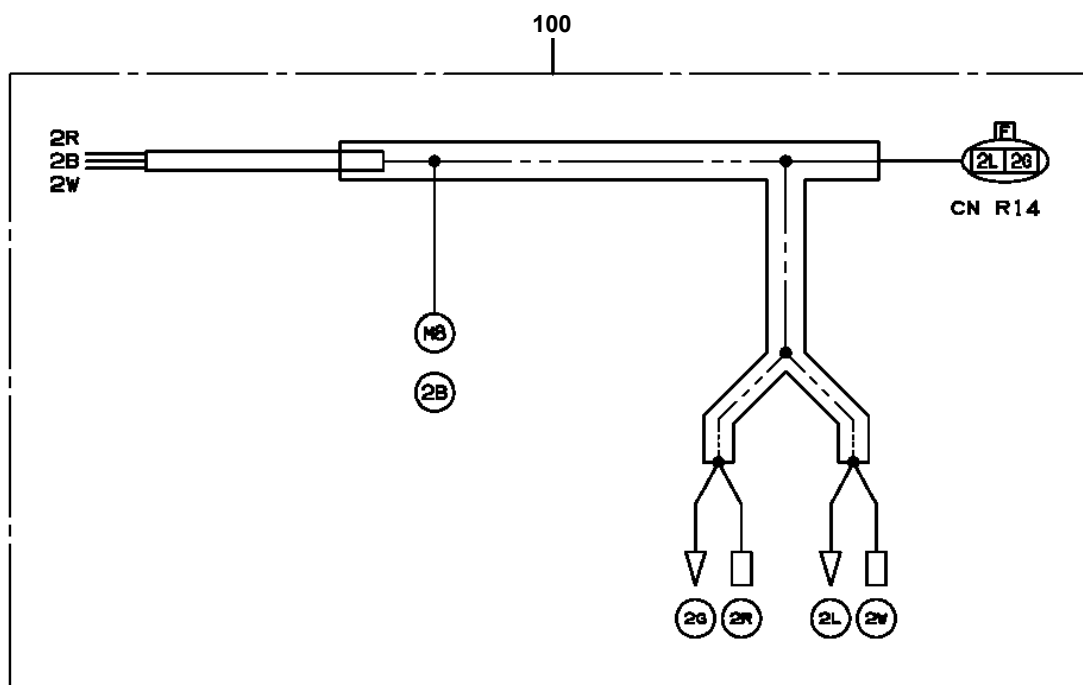
AT-200S-2 42076232311 UPPER, LOWER, HINO 2KG-XZU720M-TKFSH3  
PH5030309-00 HARNESS



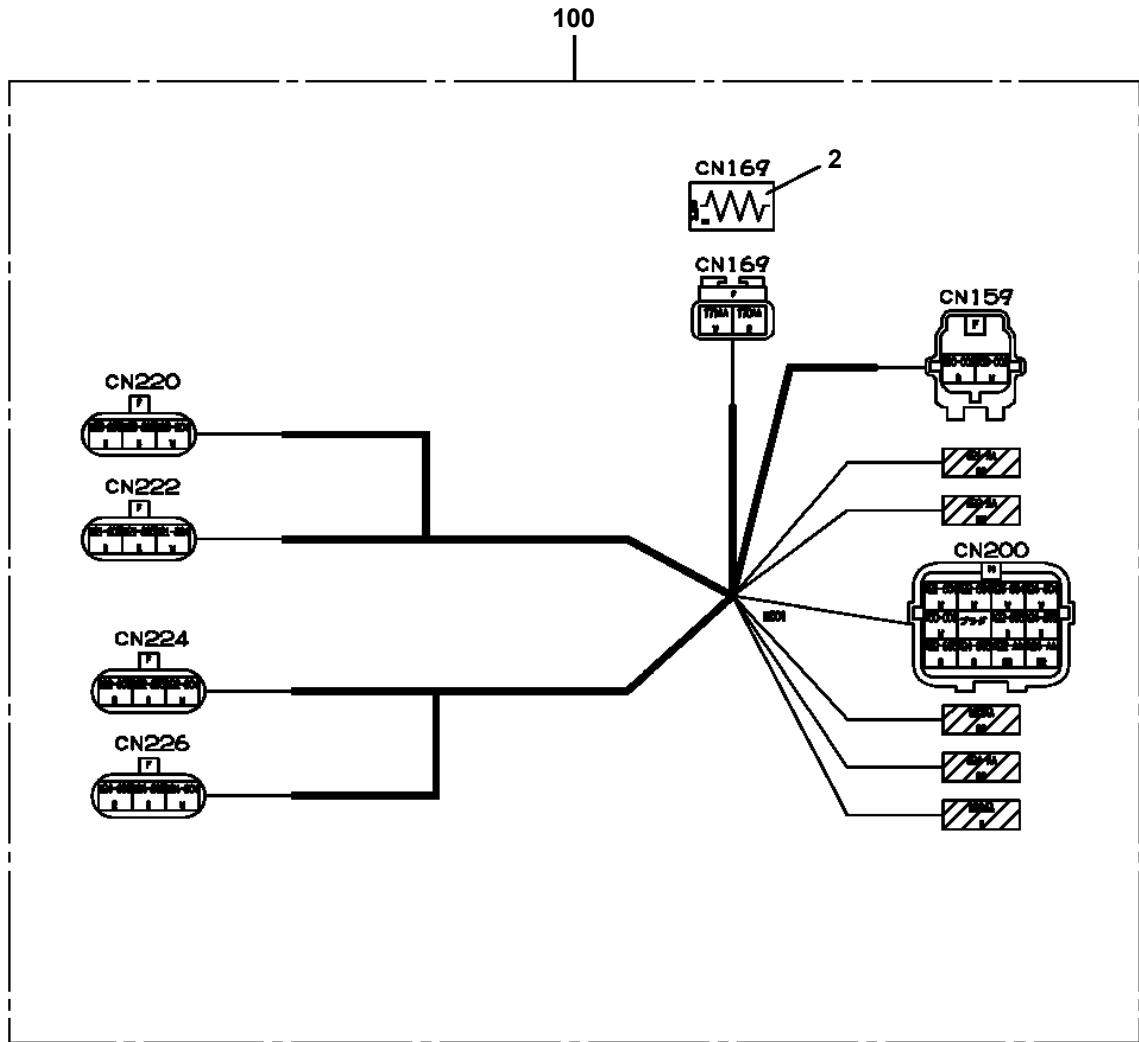
AT-200S-2 42076232311 UPPER, LOWER, HINO 2KG-XZU720M-TKFSH3  
PH5030421-00 HARNESS



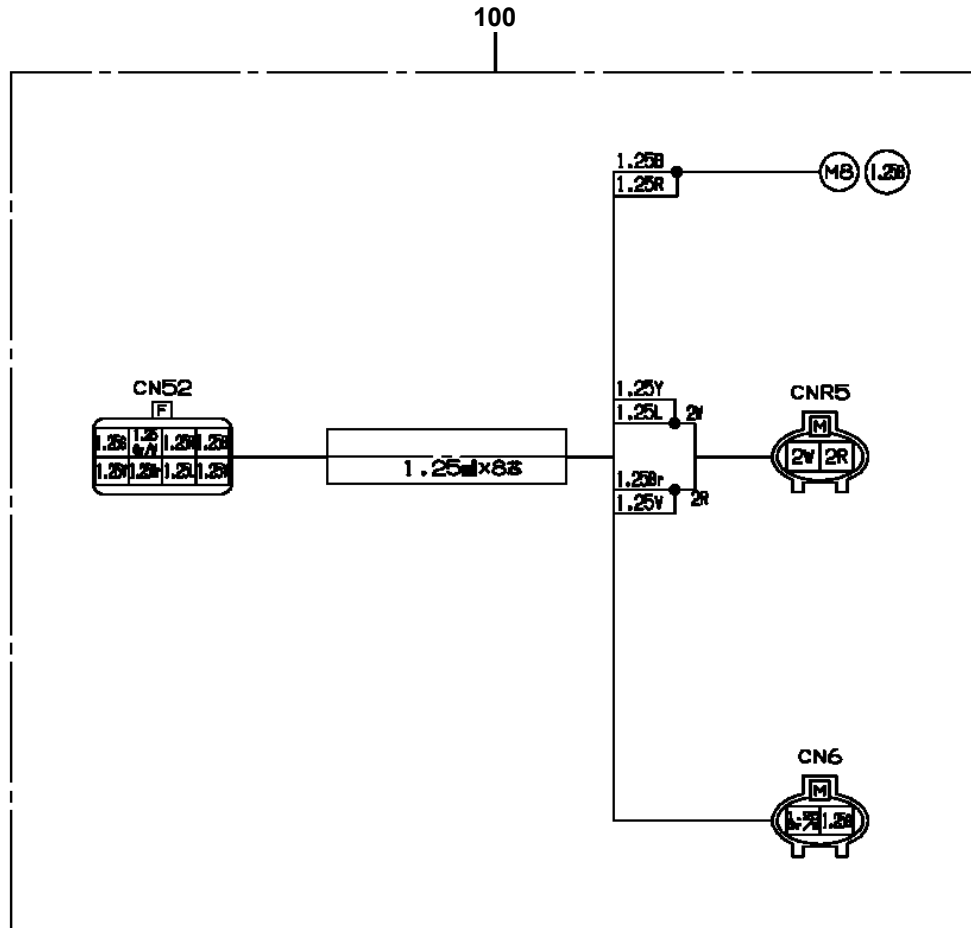
AT-200S-2 42076232311 UPPER, LOWER, HINO 2KG-XZU720M-TKFSH3  
PH5032112-00 HARNESS



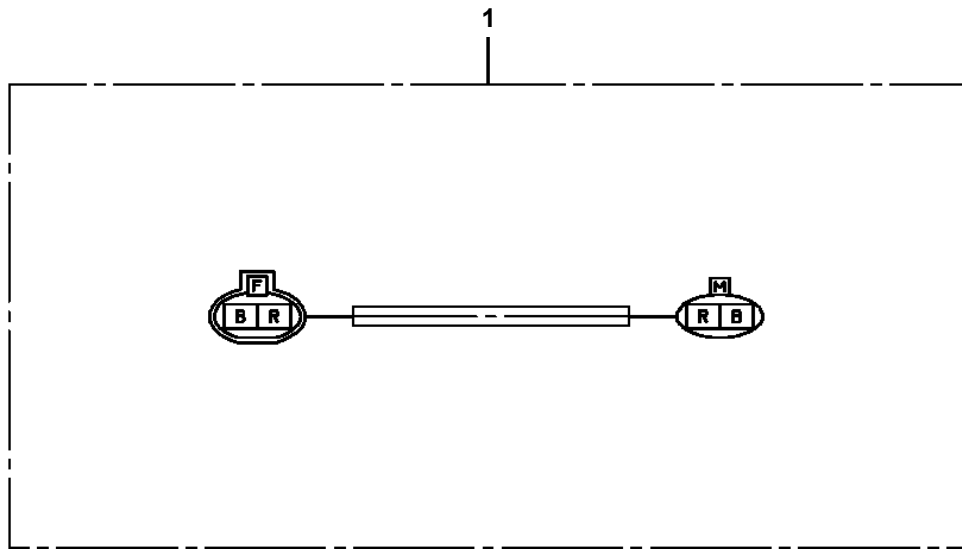
AT-200S-2 42076232311 UPPER, LOWER, HINO 2KG-XZU720M-TKFSH3  
PH5033862-00 HARNESS (OUTRIGGER LENGTH DETECTION)



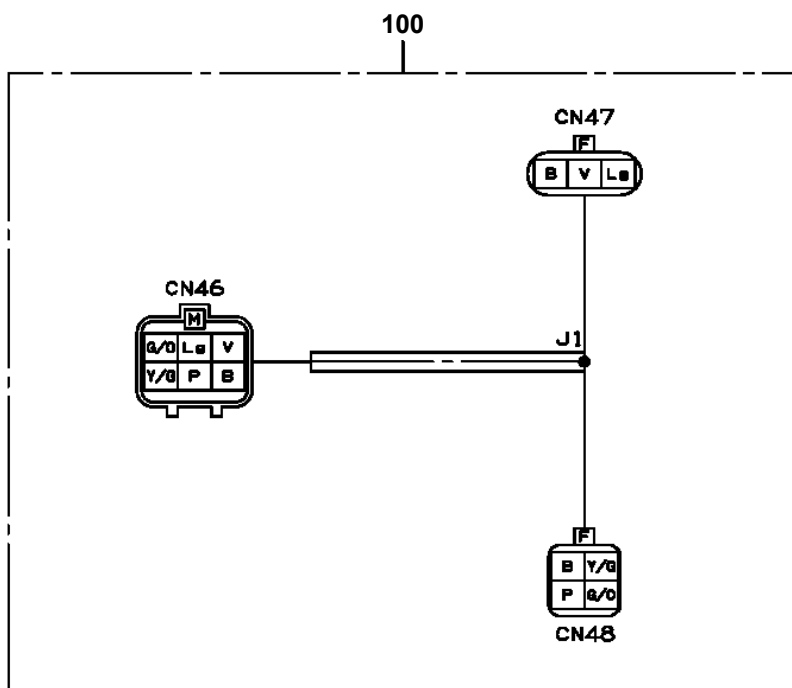
AT-200S-2 42076232311 UPPER, LOWER, HINO 2KG-XZU720M-TKFSH3  
PH5033882-00 HARNESS



AT-200S-2 42076232311 UPPER, LOWER, HINO 2KG-XZU720M-TKFSH3  
PH5034148-00 HARNESS

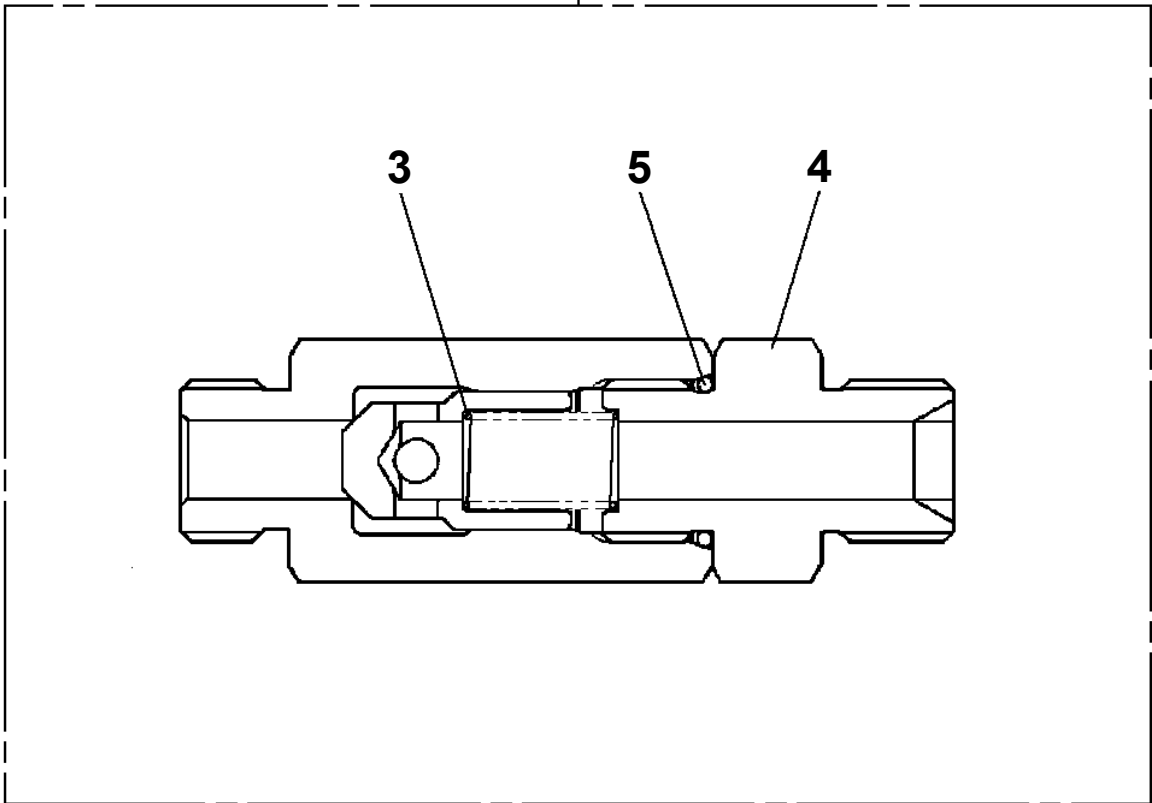


AT-200S-2 42076232311 UPPER, LOWER, HINO 2KG-XZU720M-TKFSH3  
PH5034231-00 HARNESS



**AT-200S-2 42076232311 UPPER, LOWER, HINO 2KG-XZU720M-TKFSH3  
PI1140188-00 VALVE,CHECK**

**50**



CLICK HERE TO **DOWNLOAD** THE COMPLETE MANUAL

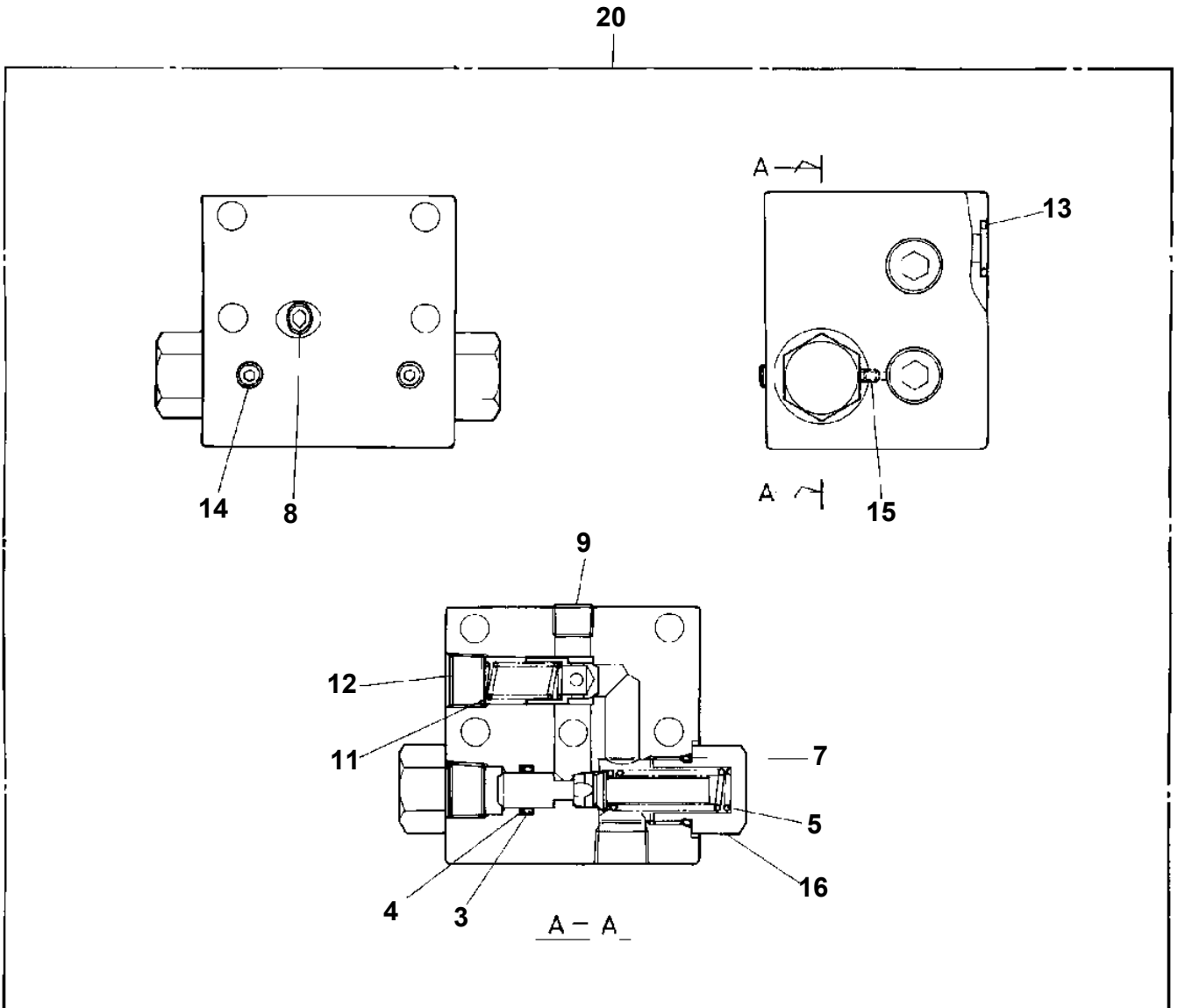
- Thank you very much for reading the preview of the manual.
- You can download the complete manual from: [www.heydownloads.com](http://www.heydownloads.com) by clicking the link below



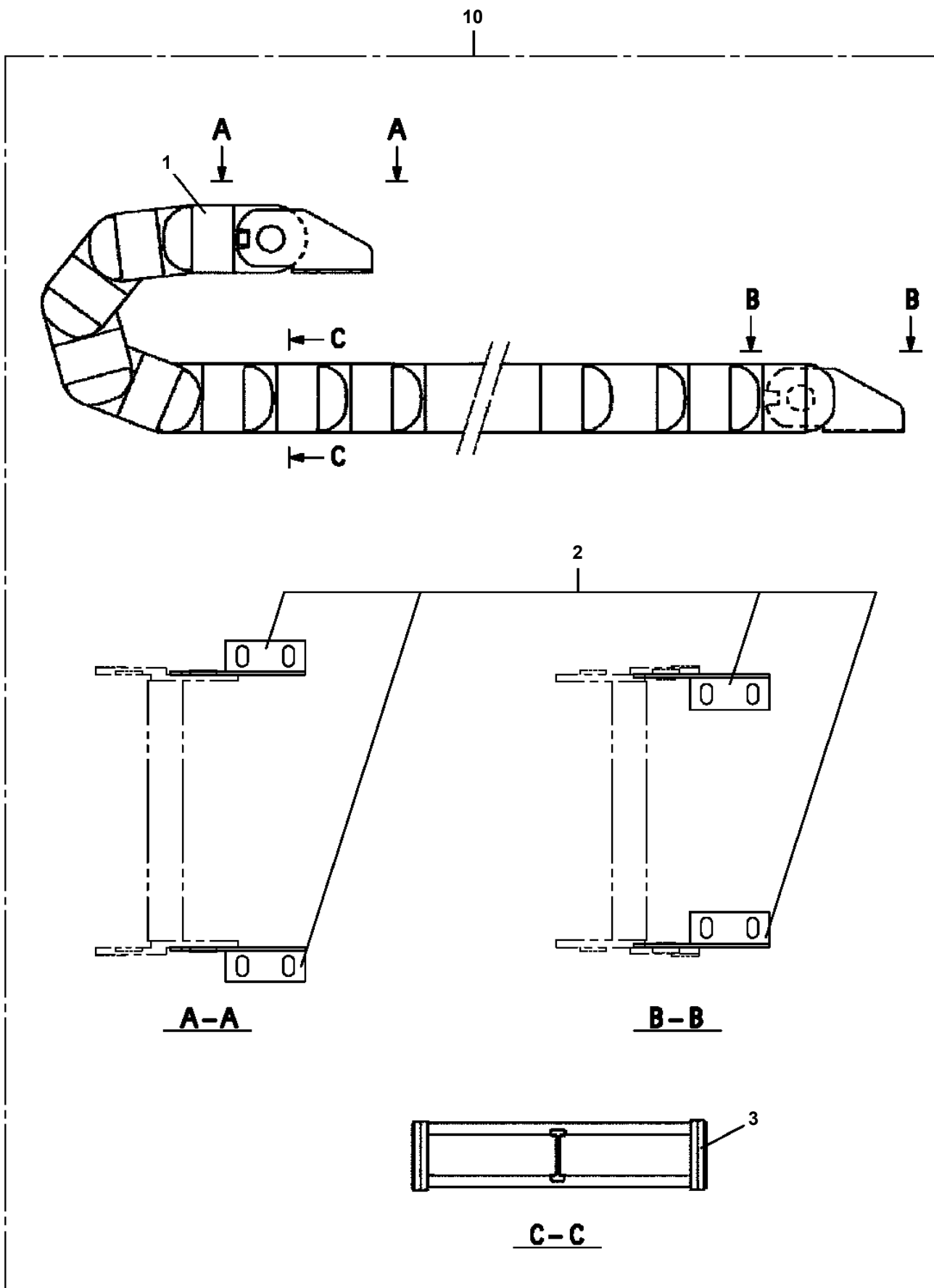
- Please note: If there is no response to CLICKING the link, please download this PDF first and then click on it.

CLICK HERE TO **DOWNLOAD** THE COMPLETE MANUAL

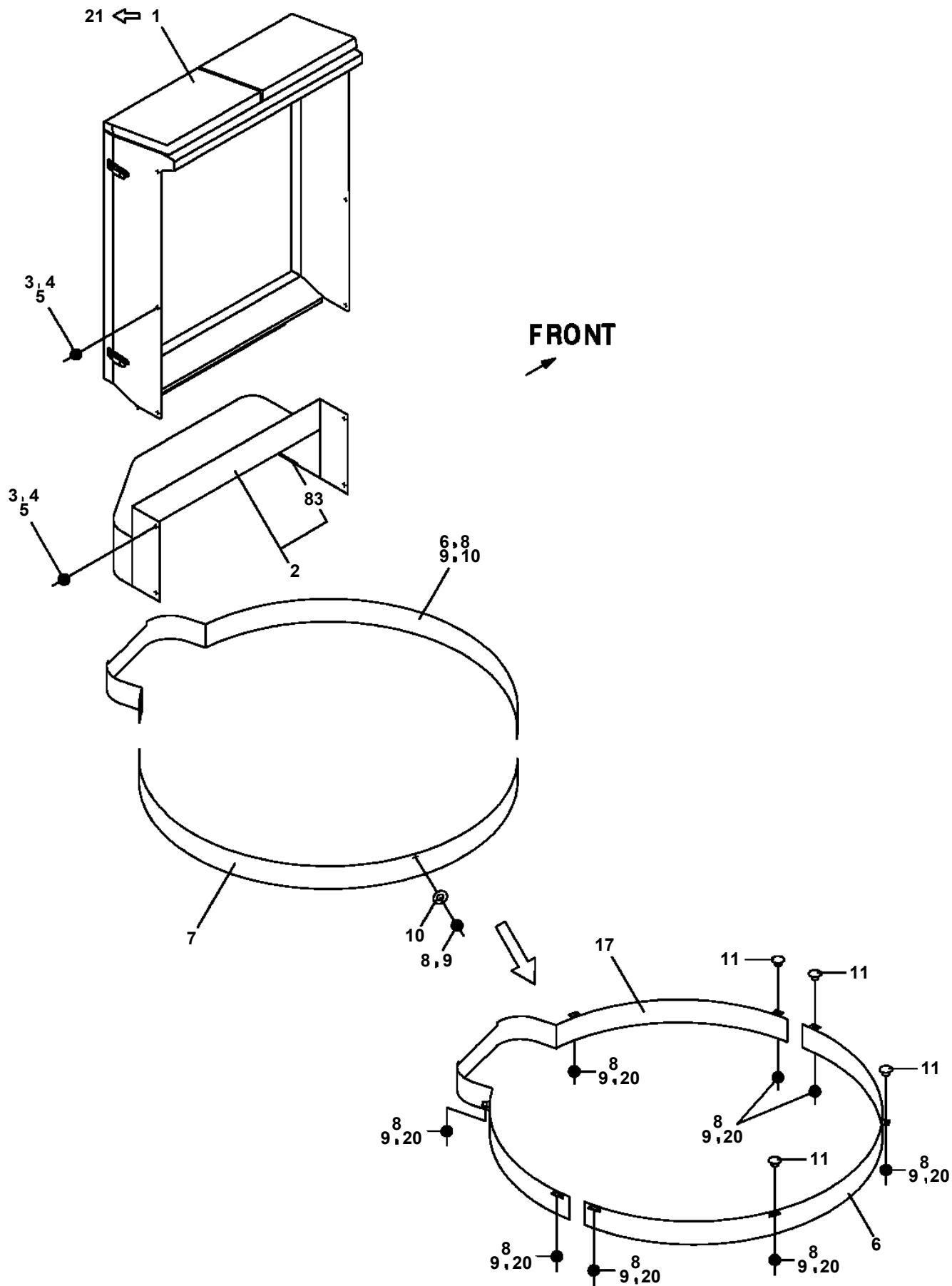
AT-200S-2 42076232311 UPPER, LOWER, HINO 2KG-XZU720M-TKFSH3  
PI1250027-00 VALVE,COUNTERBALANCE



AT-200S-2 42076232311 UPPER, LOWER, HINO 2KG-XZU720M-TKFSH3  
PJ3160003-01 BEAR,CABLE



AT-200S-2 42076232311 UPPER, LOWER, HINO 2KG-XZU720M-TKFSH3  
PK1200404-04 COVER, SWING FRAME



# AT-200S-2 42076232311 UPPER, LOWER, HINO 2KG-XZU720M-TKFSH3

Pos No.	Parts No	Parts Name	Qty	Unit	Technical Data	Serial No (Start)	Serial No (End)
5	36653355010	PLUG	3				
6	36646965020	PLUG	2				
7	36653355010	PLUG	15				
9	36636505010	PLUG	1				
10	36648355010	PLUG	2				
11	36648355440	PLUG	1				
12	36636505010	PLUG	2				
13	91002802200	O-RING	16		1B P22		
14	91002800700	O-RING	29		1B P7		
15	91002801100	O-RING	2		1B P11		
16	91002802000	O-RING	2		1B P20		
17	91002800700	O-RING	2		1B P7		
18	91001000800	O-RING	1		S8		
19	91002801800	O-RING	1		1B P18		
22	36648355400	COVER,END (1)	4				
23	36648355410	COVER,END (2)	4				
24	36742265010	COVER	4				
25	36648355070	COVER (SOLENOID)	8				
26	36649665020	VALVE,RELIEF	4				
27	36742265040	VALVE ASSY,RELIEF	12				
28	36742265030	CAP	12				
29	36648355390	PLUG	4				
30	91001002400	O-RING	4		S24		
31	91002800600	O-RING	8		1B P6		
32	91002801100	O-RING	4		1B P11		
33	91002802000	O-RING	4		1B P20		
34	91001002900	O-RING	4		S29		
35	90131505016	BOLT,HEXAGON SOCKET	32		M5X16		
36	90131506035	BOLT,HEXAGON SOCKET	16		M6X35		
37	90131505008	BOLT,HEXAGON SOCKET	16		M5X8		
38	36741735040	SCREW	4				
42	36648355120	SPRING	4				
43	36648355130	SPRING	4				
44	36648355140	SEAT,SPRING	8				
45	36648355150	BOLT (SPACER)	4				
46	36648355160	PIN	4				
47	36648355170	PIN	4				
48	36648355180	PIN	4				
49	36648355190	LEVER	4				
50	36648355200	KNOB	4				
51	36648355210	CAP	4				
52	36648355220	PIN,SPRING	4				
53	36648355230	ROLLER,NEEDLE	4				
54	36648355240	O-RING	8				
55	36648355250	SEAT (1)	4				
56	36648355260	SEAT (2)	4				
57	36648355270	BALL,STEEL	4				
58	36648355280	PLUG	5				
59	91002801400	O-RING	5		1B P14		
60	91000501200	O-RING	4				
61	91000501300	O-RING	4		AS568-013		
65	36648355320	SPRING	1				
66	36648355330	SPRING	1				
67	36648355340	SPRING	4				
68	36648355350	PLUG	5				
69	91002801400	O-RING	5		1B P14		
70	36649475020	BOLT,STUD	4		M10X230		
71	36648355370	NUT	4				
75	36742265020	VALVE,REDUCING	8				
80	36641745041	VALVE,RELIEF	1				
81	36641745051	VALVE,RELIEF	1				
82	36641745031	VALVE,RELIEF	2				
90	36648355460	FILTER ASSY (WITH HOLDER,O-RING)	1				

# AT-200S-2 42076232311 UPPER, LOWER, HINO 2KG-XZU720M-TKFSH3

Pos No.	Parts No	Parts Name	Qty	Unit	Technical Data	Serial No (Start)	Serial No (End)	Remarks
1	82199105017	LAMP (ASSY ONLY)	1					
2	90101212020	BOLT	1		M12X20			
3	90302041201	WASHER,SPRING	1		12			
4	37000179070	PIN	1					
5	80620210160	PIN,SNAP	1					
100	42510232000	LAMP ASSY (SQUARE TYPE)	1					

# AT-200S-2 42076232311 UPPER, LOWER, HINO 2KG-XZU720M-TKFSH3

Pos No.	Parts No	Parts Name	Qty	Unit	Technical Data	Serial No (Start)	Serial No (End)	Remarks	Pages
1	37000558240	PLATE	2						

## AT-200S-2 42076232311 UPPER, LOWER, HINO 2KG-XZU720M-TKFSH3

Pos No.	Parts No	Parts Name	Qty	Unit	Technical Data	Serial No (Start)	Serial No (End)	Remarks	P
1	36662355010	SHAFT	1						
2	80500006205	BEARING,BALL	1						
4	91001004800	O-RING	1		S48				
5	36661915020	HOLDER (OIL SEAL)	1						
6	91252102500	SEAL,OIL	1						
7	36661915030	PLATE (HOLDER)	1						
8	36662255070	RING,RETAINING	1		R52				
9	36662355030	RETAINER	1						
10	36662355040	PLATE (CAM)	1						
11	36660275010	BEARING,THRUST	1						
12	36663985010	PLATE,THRUST	1						
13	36663985020	SPRING	1						
14	36662355071	BARREL,CYLINDER	1						
17	36662355110	PIN	2						
18	91001008500	O-RING	1		S-85				
19	36662355120	PLATE	1						
20	36663985050	BOLT (M8X30)	6						
21	36644115130	PLUG	1						
22	91001101100	O-RING	1		1A P11				
25	12413305020	KEY	1						
26	91001102201	O-RING	1		1A P22A				
28	36663955070	PISTON (LOCK)	1						
29	91001101800	O-RING	1		1A P18				
30	91410001800	RING,BACKUP	1		P18				
31	36663955080	SPRING (LOCK)	1						
32	36663955090	CAP (LOCK)	1						
33	36081315130	PROTECTOR (THREAD)	1						
34	36663195010	SEAL,DUST	1						
53	36662355080	SPRING (PLUNGER)	7						
54	36663985080	BALL,STEEL (15/32)	7						
55	36662355090	SPRING (CENTER)	1						
56	12413305490	RING,RETAINING	1						
100	36663190000	MOTOR,OIL	1						

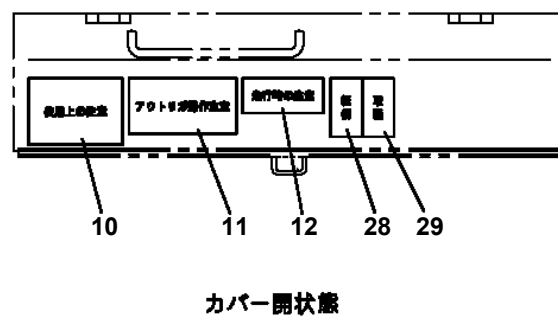
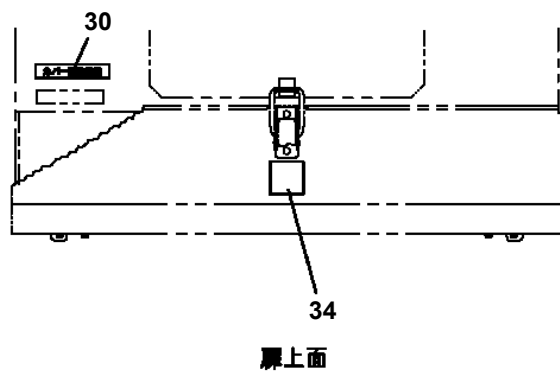
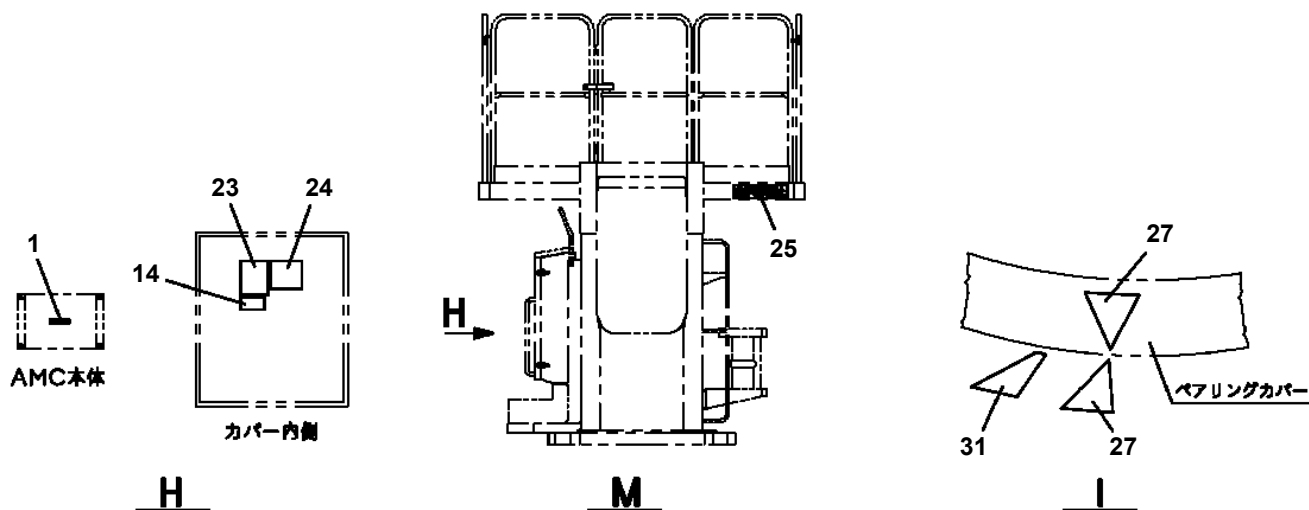
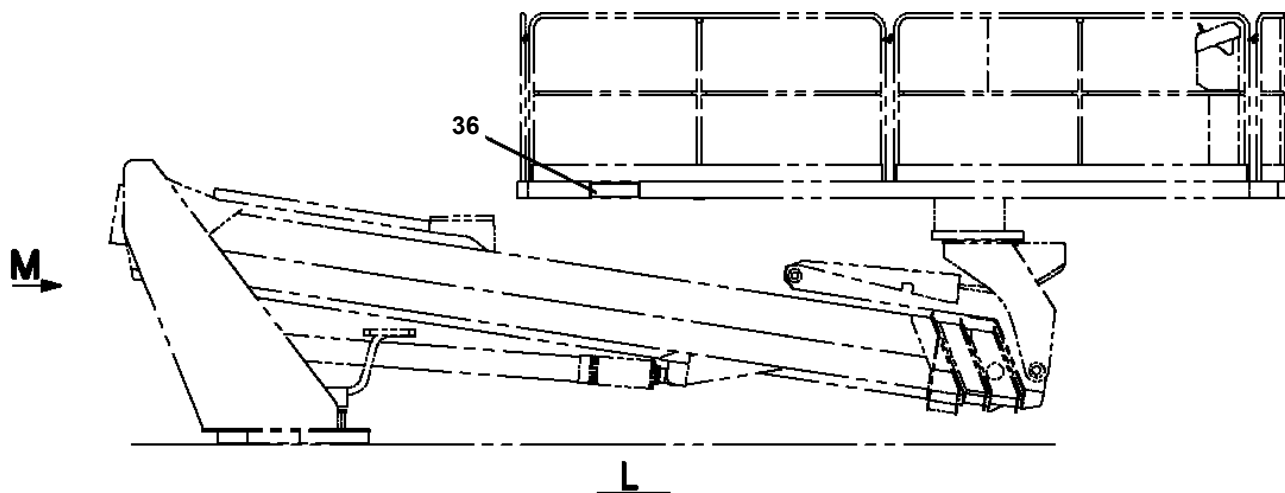
# AT-200S-2 42076232311 UPPER, LOWER, HINO 2KG-XZU720M-TKFSH3

Pos No.	Parts No	Parts Name	Qty	Unit	Technical Data	Serial No (Start)	Serial No (End)	Remarks	Pages
1	42500080100	BOX	1						
2	42500080200	PANEL	1						
3	42500080300	HARNESS	1						000085
4	90101208016	BOLT	4		M8X16				
5	90302040801	WASHER,SPRING	4		8				
6	90201200800	NUT	2		M8				
7	82400000202	GROMMET	1						

**AT-200S-2 42076232311 UPPER, LOWER, HINO 2KG-XZU720M-TKFSH3**

Pos No.	Parts No	Parts Name	Qty	Unit	Technical Data	Serial No (Start)	Serial No (End)
1	42971483100	HARNESS	1				
2	82121101050	PLUG (BLACK/AV0.3 TO 0.5)	1				
3	82111101510	TERMINAL	1				
4	82114102010	CONNECTOR (1P FEMALE,HOUSING)	1				

AT-200S-2 42076232311 UPPER, LOWER, HINO 2KG-XZU720M-TKFSH3  
 PN5012036-00 NAME PLATE ASSY (VEHICLE)



A

# AT-200S-2 42076232311 UPPER, LOWER, HINO 2KG-XZU720M-TKFSH3

Pos No.	Parts No	Parts Name	Qty	Unit	Technical Data	Serial No (Start)	S
1	(*****)	NAME PLATE ASSY (VEHICLE)	1				
2	(*****)	NAME PLATE ASSY (TADANO,TANK,NON-SLIP,FUSE)	1				
3	(*****)	NAME PLATE ASSY (OUTRIGGER CONTROLS)	1				

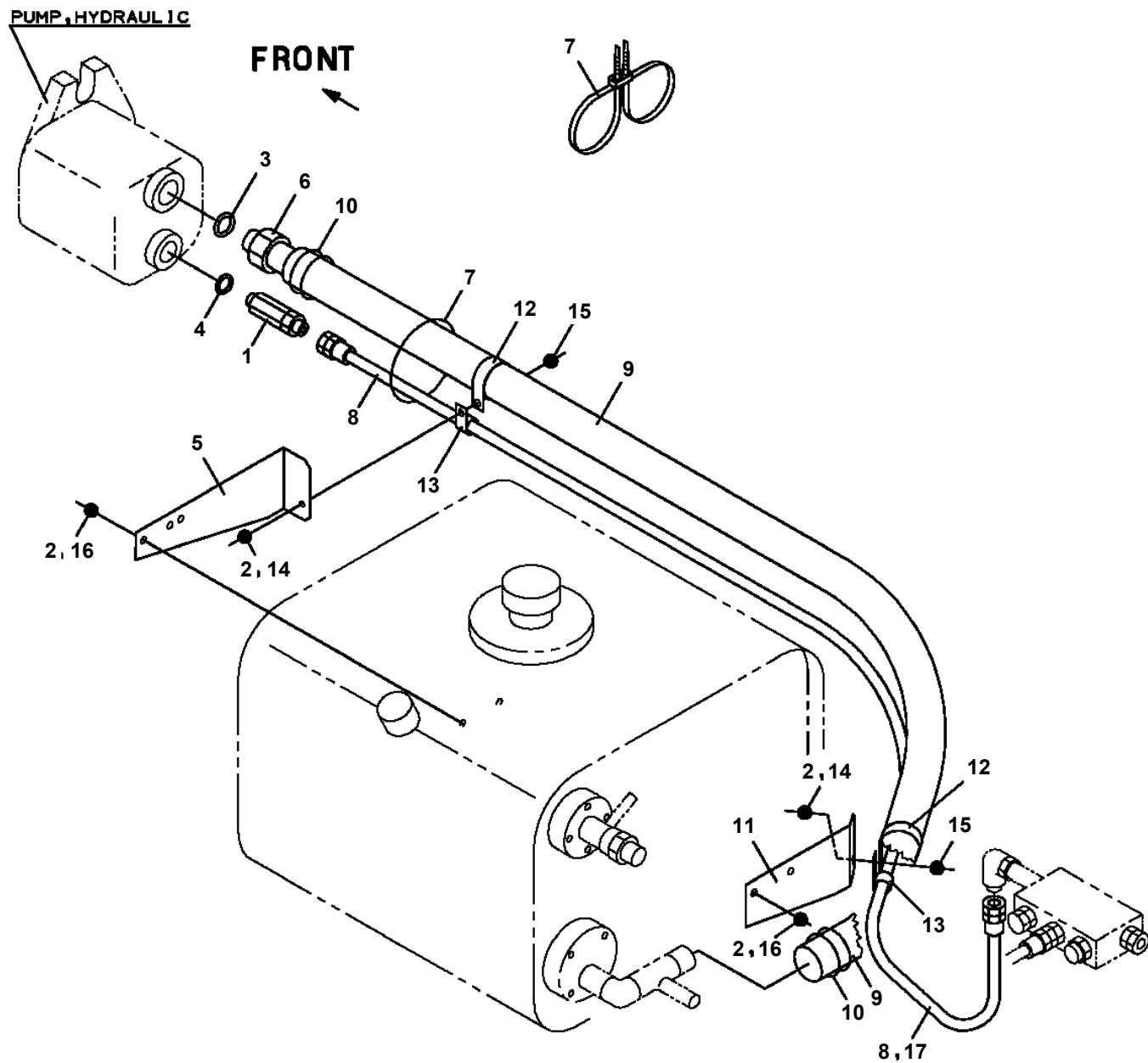
# AT-200S-2 42076232311 UPPER, LOWER, HINO 2KG-XZU720M-TKFSH3

Pos No.	Parts No	Parts Name	Qty	Unit	Technical Data	Serial No (Start)	Serial No (End)	R
1	42615381000	CASE ASSY,INNER (REAR,RIGHT)	1				HF5924	
	42615381001	CASE ASSY,INNER (REAR,RIGHT)	1			HF5925		
2	42612850200	PLATE	8		T=6			
3	37002011280	PLATE,SLIDE	8		T=9.5			
4	37000506590	PLATE	N		T=1.6			
5	37000581940	PLATE	N		T=0.5			
7	90171110016	BOLT	16		M10X16			
8	90302041001	WASHER,SPRING	16		10			
9	37000504780	PLATE	N		T=0.6			
10	31611640150	SPRING	2					
11	901711108014	BOLT	4		M8X14		HF6021	
	901711108016	BOLT	4		M8X16	HF6022		
12	37002012620	PLATE,SLIDE	4					
13	42614050020	PLATE,SLIDE	2					
14	37001510810	BOLT	4		M8X25			
15	42615382000	CASE ASSY,INNER (REAR,LEFT)	1				HF5924	
	42615382001	CASE ASSY,INNER (REAR,LEFT)	1			HF5925		
16	42613180100	BLADE	2				HF5924	
	42615370100	BLADE	2			HF5925		
17	42613180200	PLATE	4					
18	90101206022	BOLT	4		M6X22		HF6021	
	90101206025	BOLT	4		M6X25	HF6022		
19	90302040601	WASHER,SPRING	4		6			
20	90303070601	WASHER,PLAIN	4		6		HF6021	
	90303070601	WASHER,PLAIN	8		6	HF6022		
22	42615220100	PLATE	2					
23	82401800060	PLUG (FOR M6)	4					

### AT-200S-2 42076232311 UPPER, LOWER, HINO 2KG-XZU720M-TKFSH3

Pos No.	Parts No	Parts Name	Qty	Unit	Technical Data	Serial No (Start)	Serial No (End)	Remarks
1	42266203600	FLOOR	2					
2	42266203651	FLOOR	1					
3	42266203301	FLOOR	1					
4	42266203400	FLOOR	1					
5	42266203501	FLOOR	1					
6	80147377540	RIVET	29					
8	42266203700	FLOOR	2					
23	82420102413	TRIM	2	M				
25	42266224100	PIN,SNAP (WITH CHAIN)	2					
27	42266224200	PIN,SNAP (WITH CHAIN)	8					
100	42266201003	PLATFORM ASSY	1					
301	42266202003	TABLE	1					

**AT-200S-2 42076232311 UPPER, LOWER, HINO 2KG-XZU720M-TKFSH3  
PP6210059-00 PIPING ASSY, MOUNTING**



# AT-200S-2 42076232311 UPPER, LOWER, HINO 2KG-XZU720M-TKFSH3

Pos No.	Parts No	Parts Name	Qty	Unit	Technical Data	Serial No (Start)	Serial No (End)	Remarks
5	82182819823	DIODE	1		1.5A			
9	34354781710	RELAY (WITH BRACKET)	1					
100	34354781720	RELAY (WITH HARNESS)	1					

# AT-200S-2 42076232311 UPPER, LOWER, HINO 2KG-XZU720M-TKFSH3

Pos No.	Parts No	Parts Name	Qty	Unit	Technical Data	Serial No (Start)	Serial No (End)	Remarks	Page
1	36607215010	BODY	1						
4	36606665012	PLUG	1						
5	91002902500	O-RING	2		1B G25				
6	36606655020	SPRING	1						
7	36606405070	SPACER	1						
21	36606669010	POPPET ASSY	1						
100	36607210000	VALVE ASSY,RELIEF	1						

# AT-200S-2 42076232311 UPPER, LOWER, HINO 2KG-XZU720M-TKFSH3

Pos No.	Parts No	Parts Name	Qty	Unit	Technical Data	Serial No (Start)	Serial No (End)
1	42460012550	WEDGE (STOPPER FOR TIRE/JUSTIN)	1				

# AT-200S-2 42076232311 UPPER, LOWER, HINO 2KG-XZU720M-TKFSH3

Pos No.	Parts No	Parts Name	Qty	Unit	Technical Data	Serial No (Start)	Serial No (End)	Remarks	Pages
1	82400000520	REFLECTOR	2		RED				

# AT-200S-2 42076232311 UPPER, LOWER, HINO 2KG-XZU720M-TKFSH3

Pos No.	Parts No	Parts Name	Qty	Unit	Technical Data	Serial No (Start)	Serial No (End)
1	(*****)	MOUNT ASSY,DECK	1				
2	(*****)	MOUNT ASSY,SIDE GUARD (ALUMINUM)	1				

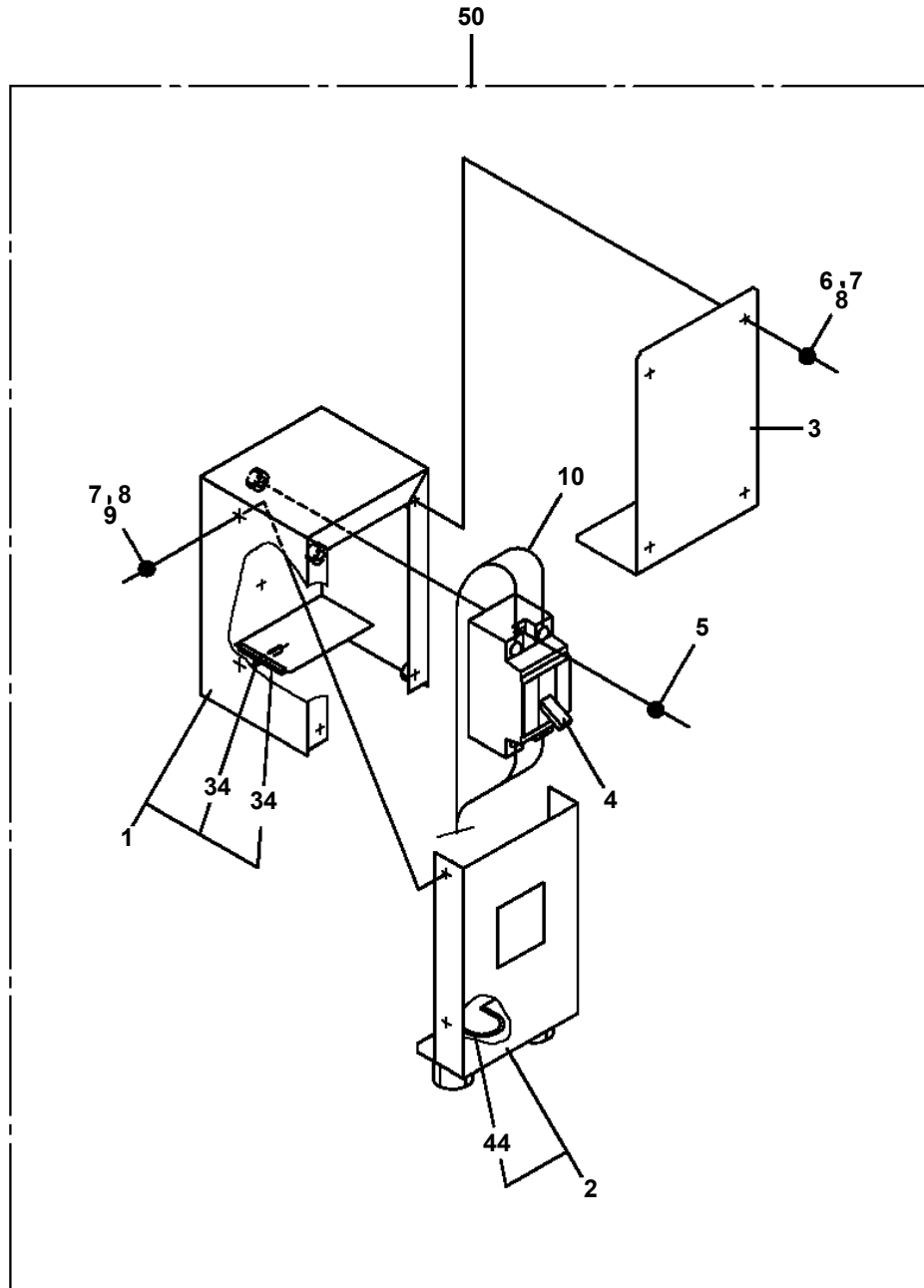
# AT-200S-2 42076232311 UPPER, LOWER, HINO 2KG-XZU720M-TKFSH3

Pos No.	Parts No	Parts Name	Qty	Unit	Technical Data	Serial No (Start)	Serial No (End)
1	42422481000	GENERATOR	1				
2	42508921100	SUPPORT	1				
3	82100002006	CLAMP	1		WR10		
4	90101210025	BOLT	4		M10X25		
5	90301011001	WASHER	4		10		
6	90302041001	WASHER,SPRING	4		10		
7	90101206035	BOLT	4		M6X35		
8	90302040601	WASHER,SPRING	6		6		
9	90303070601	WASHER,PLAIN	4		6		
10	42422480200	COVER	1				
11	(*****)	BREAKER	1				
12	42477640070	PLATE,NAME (100V/POWER SUPPLY)	1				
13	90101208016	BOLT	2		M8X16		
14	42514231100	HARNES	1				
15	91810132530	FASTENER	20				
16	90201200600	NUT	2		M6		
17	90302040801	WASHER,SPRING	2		8		
18	82100002004	CLAMP	1		WR8		
19	42508921010	PLATE,CAUTION	1				

## AT-200S-2 42076232311 UPPER, LOWER, HINO 2KG-XZU720M-TKFSH3

Pos No.	Parts No	Parts Name	Qty	Unit	Technical Data	Serial No (Start)	Serial No (End)	Remarks
1	36102790000	TANK,OIL	1					
2	80400160129	JOINT	1					
3	90302040801	WASHER,SPRING	4		8			
4	91002802900	O-RING	2		1B P29			
5	42882760100	JOINT	1				HF6000	
6	80302090241	FITTING	1		KCO18-040N			
7	91002801800	O-RING	2		1B P18			
8	90201201000	NUT	4		M10			
9	36672280000	FILTER,OIL (YAMASHIN)	1					
10	31921573500	JOINT	1					
11	37002407740	HOSE	1		L=450			
12	80320030080	FITTING,ELBOW	1		KLE12-030N			
13	37000917480	JOINT	1		S G1/4-G3/8			
14	91002801100	O-RING	1		1B P11			
15	90171112025	BOLT	4		M12X25			
16	90302041201	WASHER,SPRING	4		12			
17	42645250100	FITTING,FLANGE	1					
18	42880120100	BAND	2					
19	56560009000	PIN	2					
20	42640150060	JOINT	1					
21	91002801400	O-RING	2		1B P14			
22	37002502430	HOSE	1		L=400			
23	91803600350	CLIP	4		D=25-35			
24	42881290102	SUPPORT	1				HF6012	
	42882760200	SUPPORT	1			HF6013		
25	91002904500	O-RING	1		1B G45			
26	90101208016	BOLT	4		M8X16			
27	37002433840	HOSE	1		L=510			
29	80320030140	FITTING,ELBOW	1		KLE18-040N			
30	37002509860	HOSE	1		L=460			
31	91803600400	CLIP	4		D=27-40			
32	80136030025	PIN,SPLIT	2					
33	90303071201	WASHER,PLAIN	2		12			
34	80316070080	PLUG	1		PF1/2			
35	42645120100	JOINT	1			HF6001		
36	80316030060	PLUG	1		PT3/8	HF6001		

AT-200S-2 42076232311 UPPER, LOWER, HINO 2KG-XZU720M-TKFSH3  
PY1840005-00 BREAKER



CLICK HERE TO **DOWNLOAD** THE COMPLETE MANUAL

- Thank you very much for reading the preview of the manual.
- You can download the complete manual from: [www.heydownloads.com](http://www.heydownloads.com) by clicking the link below



- Please note: If there is no response to CLICKING the link, please download this PDF first and then click on it.

CLICK HERE TO **DOWNLOAD** THE COMPLETE MANUAL