

AT-200S-2 42076200025 UPPER

PD2000274-00 SWING UNIT

PG2000172-01 BOOM UNIT

PH1000550-00 SAFETY DEVICES (MOTION CONTROLLER)

PJ1000020-00 PLATFORM SYSTEM

PK2001957-00 FRAME UNIT

PO1000149-00 INDICATION PLATES

PW1000118-00 ACCESSORIES & TOOLS

PY1001900-00 OPTION UNIT,1 (UPPER)

PY2000225-04 OPTION UNIT,2 (UPPER)

ASSEMBLY

CLICK HERE TO **DOWNLOAD** THE COMPLETE MANUAL

- Thank you very much for reading the preview of the manual.
- You can download the complete manual from: www.heydownloads.com by clicking the link below



- Please note: If there is no response to CLICKING the link, please download this PDF first and then click on it.

CLICK HERE TO **DOWNLOAD** THE COMPLETE MANUAL

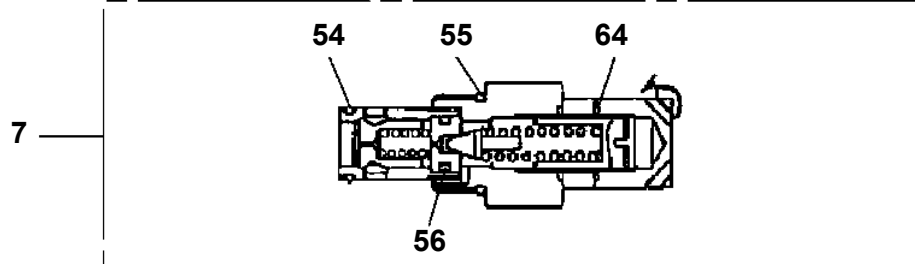
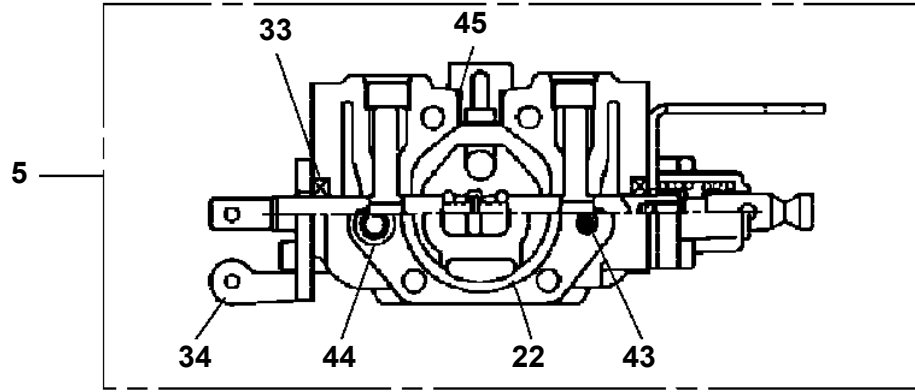
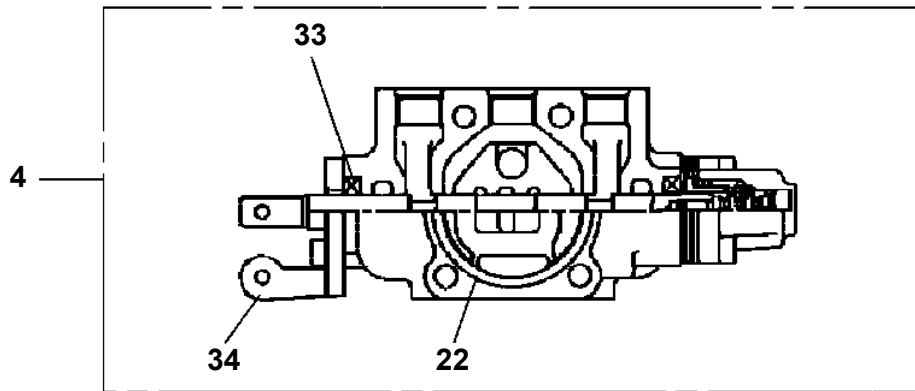
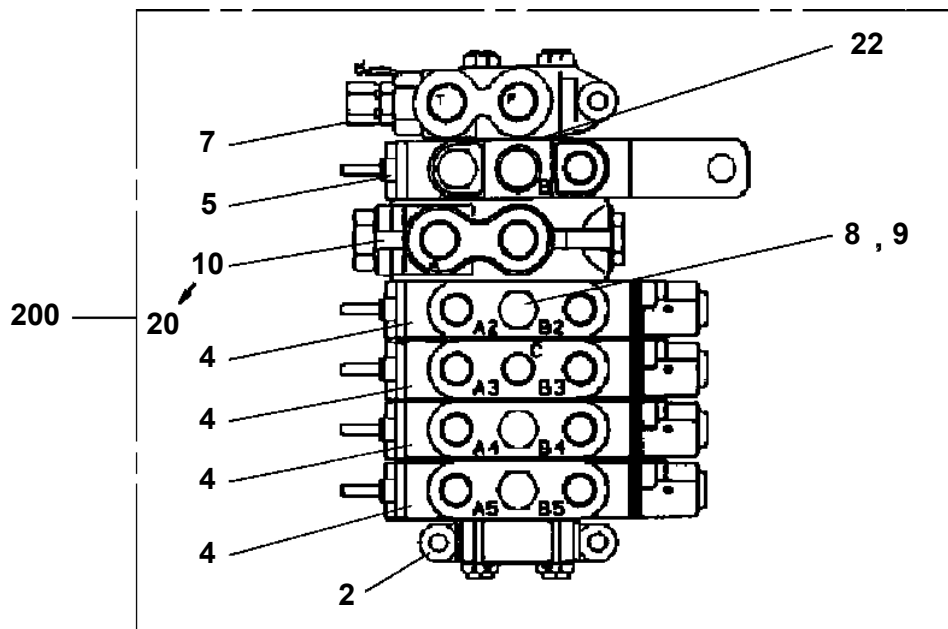
AT-200S-2 42076200025 UPPER

Pos No.	Parts No	Parts Name	Qty	Unit	Technical Data	Serial No (Start)	Serial No (End)	Remark
1	(*****)	FRAME ASSY	1					
2	(*****)	OUTRIGGER (FRONT)	1					
3	(*****)	OUTRIGGER (REAR)	1					
4	(*****)	PIPING ASSY,FRAME	1					
5	(*****)	ELEC.ASSY,FRAME	1					
6	(*****)	OPE.ASSY,OUTRIGGER	1					
7	(*****)	MOUNT ASSY,TANK SUPPORT	1					

AT-200S-2 42076200025 UPPER

PB1130138-03 TANK,OIL
PB1300407-00 JOINT,ROTARY
PB1300408-02 JOINT,ROTARY
PB1300409-01 JOINT,ROTARY
PB1320209-03 VALVE,MANUAL CONTROL (OUTRIGGER)
PB5270011-00 BOX ASSY,OPERATION
PC1010727-03 OUTRIGGER (FRONT)
PC1010729-04 OUTRIGGER (REAR)
PC1030265-07 CYLINDER,JACK
PC1050213-02 CYLINDER,EXTENSION
PC1100232-01 OPE.ASSY,OUTRIGGER
PC1190054-01 INDICATOR,OUTRIGGER
PC1370028-03 DETECTOR SYSTEM, OUTRIGGER LENGTH
PC1380016-01 DETECTOR,OUTRIGGER LENGTH
PC5020050-00 CABLE ASSY
PC5150119-01 CASE ASSY,INNER (FRONT)
PC5150120-01 CASE ASSY,INNER (REAR,RIGHT)
PC5150121-01 CASE ASSY,INNER (REAR,LEFT)
PC5420023-00 CONTROLLER
PC5570166-00 COVER ASSY
PC6400015-00 CYLINDER ASSY,LEVELING
PD1010159-00 REDUCER,SWING SPEED
PD1010170-01 REDUCER,SWING SPEED (MOUNT)
PD1020048-00 SWING UNIT (PLATFORM)
PE1010358-05 CYLINDER ASSY,DERRICK
PE1010488-01 DERRICK ASSY
PE1050099-06 CYLINDER,LEVELING
PE5110087-01 ELEC.ASSY,FRAME
PF5100442-00 FRAME ASSY
PF5190001-00 FALL ARREST SYSTEM (TB-LSA-550/FUJII-DENKO)
PG1010920-01 BOOM
PG1050532-01 CYLINDER ASSY,TELESCOPING
PG1120191-01 DETECTOR,BOOM LENGTH
PG1220111-01 PIPING,BOOM
PH5030226-00 HARNESS
PH5030309-00 HARNESS
PH5030311-00 HARNESS
PH5030398-00 HARNESS
PH5030399-00 HARNESS
PH5030400-00 HARNESS
PH5030402-00 HARNESS
PH5030403-00 HARNESS
PH5030406-00 HARNESS
PH5032700-00 HARNESS
PH5033248-00 HARNESS
PH5033754-00 HARNESS
PH5034229-00 HARNESS
PH5034365-00 HARNESS
PH5034604-00 HARNESS
PH5034605-00 HARNESS
PI1120136-01 VALVE,SOLENOID
PI1120265-01 VALVE,SOLENOID
PI1120303-00 VALVE,SOLENOID
PI1140194-00 VALVE,CHECK
PI1140212-00 VALVE,CHECK
PI1230018-00 VALVE,SHUTTLE
PI1250027-00 VALVE,COUNTERBALANCE
PI1250137-00 VALVE,COUNTERBALANCE
PJ3060001-00 COVER,BEARING (PLATFORM)
PJ3160003-01 BEAR,CABLE
PJ3170003-00 REDUCER,PLATFORM SWING SPEED
PJ3200080-01 PIPING,PLATFORM
PK1010802-02 FRAME (PLATFORM)
PK1200404-04 COVER,SWING FRAME

AT-200S-2 42076200025 UPPER
 PB1320209-03 VALVE, MANUAL CONTROL (OUTRIGGER)



展開図有
 ILLUSTRATED BREAKDOWN NO.10, 20

AT-200S-2 42076200025 UPPER

Pos No.	Parts No	Parts Name	Qty	Unit	Technical Data	Serial No (Start)	Serial No (End)	Remarks	Pages
1	36030140010	CYLINDER	1						
4	91684008501	PACKING	2						
6	91002902500	O-RING	1		1B G25				
7	36030140032	ROD	1						
8	36030140041	COVER,ROD	1						
9	91002908000	O-RING	1		1B G80				
11	91694004500	PACKING	1						
12	91410204502	RING,BACKUP	1						
14	91660004501	SEAL,DUST	1						
16	37002218720	PLATE,CAUTION	1						
18	91302208500	BEARING,PLAIN	2						
19	91431207002	RING,BACKUP	2						
20	90730008140	SCREW,SET	1		M8X14				
32	36030149903	PACKING SET	1		45X80				
35	36030141000	PISTON	1						
50	36030140001	CYLINDER,JACK	1						

AT-200S-2 42076200025 UPPER

Pos No.	Parts No	Parts Name	Qty	Unit	Technical Data	Serial No (Start)	Serial No (End)	R
1	36132155010	PLATE (BASE)	1					
2	36132155020	CASE	1					
3	36132155030	COVER	1					
8	36132155080	BRACKET	1					
9	36131805010	PACKING	1					
10	36131745010	POTENTIOMETER	1					
11	36132155090	GEAR	1					
12	36132155100	GEAR	1					
13	36132155110	WIRE ASSY	1					
14	36132155120	CORD ASSY	1					
51	36132155140	SPRING ASSY	1					
100	36132140000	DETECTOR,OUTRIGGER LENGTH	1					

AT-200S-2 42076200025 UPPER

Pos No.	Parts No	Parts Name	Qty	Unit	Technical Data	Serial No (Start)	Serial No (End)	Remarks	Pages
100	42652131301	CONTROLLER	1						

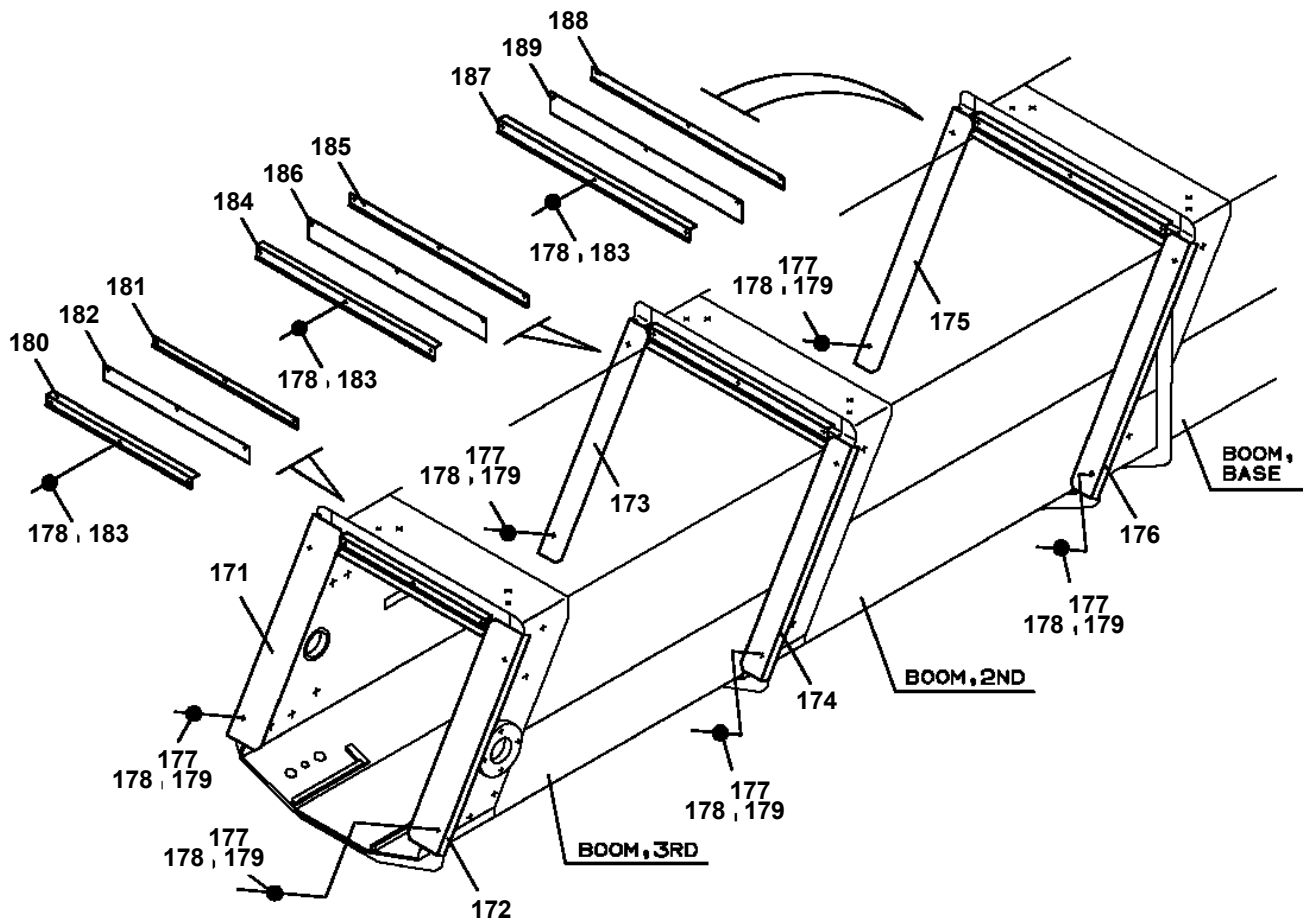
AT-200S-2 42076200025 UPPER

Pos No.	Parts No	Parts Name	Qty	Unit	Technical Data	Serial No (Start)	Serial No (End)
1	37002304290	BEARING,SWING	1				
2	37001504630	BOLT	15		M18X70		
3	37001500240	BOLT	14		M16X50		
4	90171114040	BOLT	4		M14X40		
5	90302041401	WASHER,SPRING	4		14		
6	36080970000	REDUCER,PLATFORM SWING SPEED	1				
7	91001209000	O-RING	1		1A G90		
8	90172112035	BOLT,HEXAGON SOCKET	2		M12X35		
9	90302041201	WASHER,SPRING	2		12		
10	90303501601	WASHER,PLAIN	14		16		
11	36624610000	VALVE,SHUTTLE	1				
12	90101208055	BOLT	4		M8X55		
13	36663190000	MOTOR,OIL	1				
14	90302040801	WASHER,SPRING	4		8		
15	37000914090	JOINT	1				
16	37000910830	JOINT	1				
17	90303501808	WASHER,PLAIN	15		16		

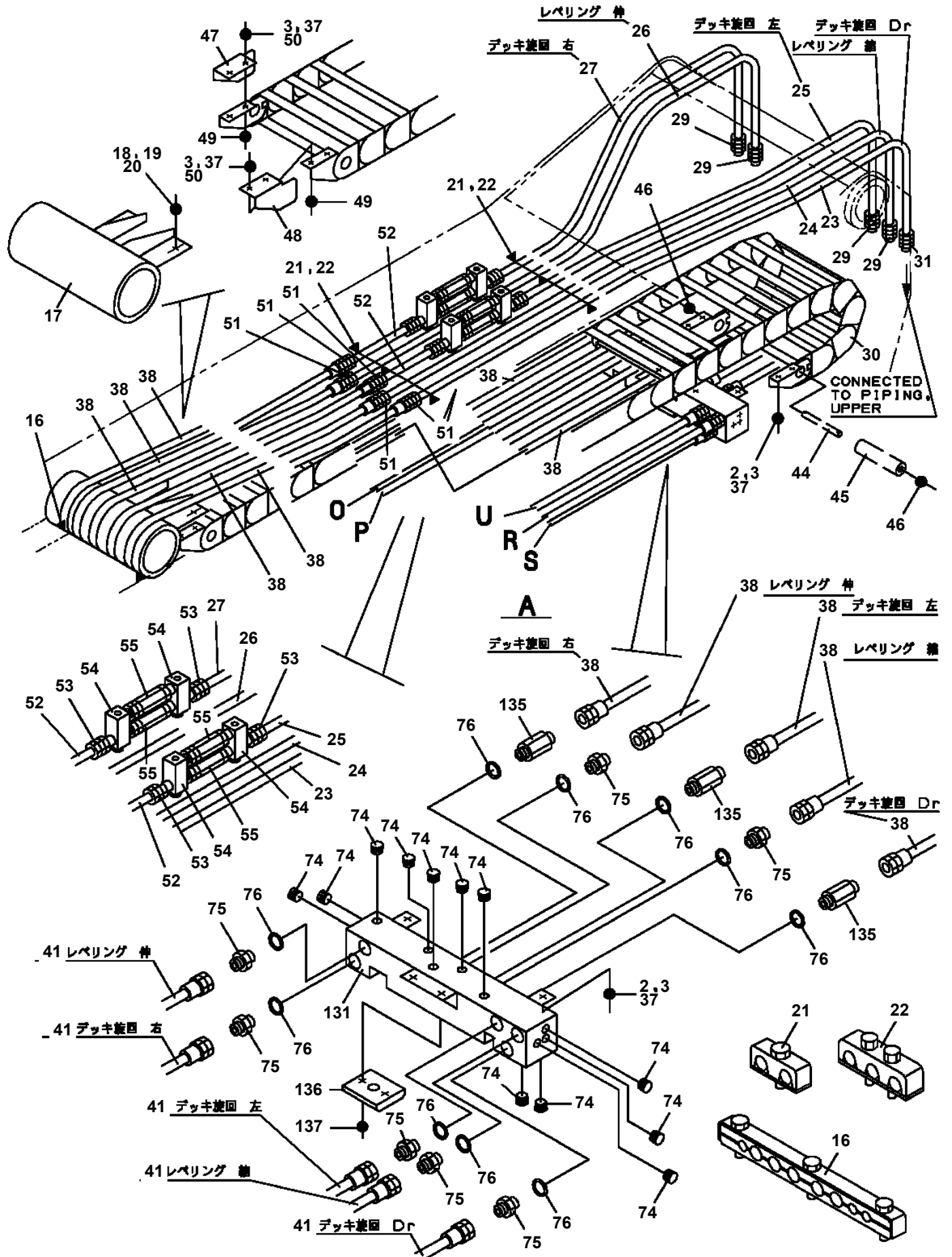
AT-200S-2 42076200025 UPPER

Pos No.	Parts No	Parts Name	Qty	Unit	Technical Data	Serial No (Start)	Serial No
1	42651540101	HARNESS	1				
3	(*****)	DETECTOR SYSTEM, OUTRIGGER LENGTH	4				
5	90101210012	BOLT	4		M10X12		
6	90302041001	WASHER,SPRING	4		10		
8	99172106012	BOLT,TAPPING	5		M6X12		
9	90302040601	WASHER,SPRING	3		6		
10	90303070601	WASHER,PLAIN	2		6		
11	90101206010	BOLT	3		M6X1.0		
12	42433330020	PLUG (2 POLES,FEMALE)	1				
14	82400000205	GROMMET	1				
16	42651130300	COVER	1				
17	37002703870	CABLE ASSY	1		L=1000		
19	82104501250	SWITCH,LIMIT (2 PCS/SET,WITH HARNESS)	1				
20	90302040401	WASHER,SPRING	2		4		
22	82104501140	SWITCH,LIMIT	1				
23	90101204030	BOLT	2		M4X30		
24	91850400601	CLAMP	30				
25	82100001216	CAP	1				
26	42440222150	CABLE ASSY	1				
27	82100001803	TUBE,CORRUGATE	3	M	13		
28	44430680200	BUZZER ASSY (WITH HARNESS)	1				
29	91810130240	FASTENER	30				
30	91810132530	FASTENER	20				
33	90201200800	NUT	1		M8		
34	90302040801	WASHER,SPRING	1		8		
38	90303070401	WASHER,PLAIN	2		4		
39	37000519850	PLATE	1				
41	82100002017	CLAMP	1		WR30		
42	42655631000	RELAY BOX ASSY	1				
43	42654014000	PANEL ASSY,CONTROL	1				
44	42351790020	PLUG (3 POLES,FEMALE)	1				
63	82400000540	GROMMET	1	M			

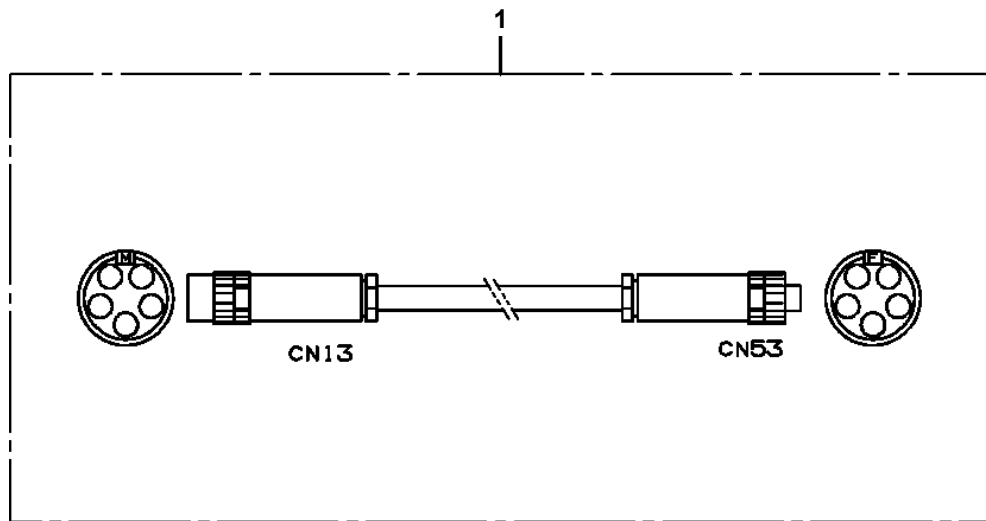
AT-200S-2 42076200025 UPPER
PG1010920-01 BOOM



**AT-200S-2 42076200025 UPPER
PG1220111-01 PIPING,BOOM**



**AT-200S-2 42076200025 UPPER
PH5030398-00 HARNESS**



CLICK HERE TO **DOWNLOAD** THE COMPLETE MANUAL

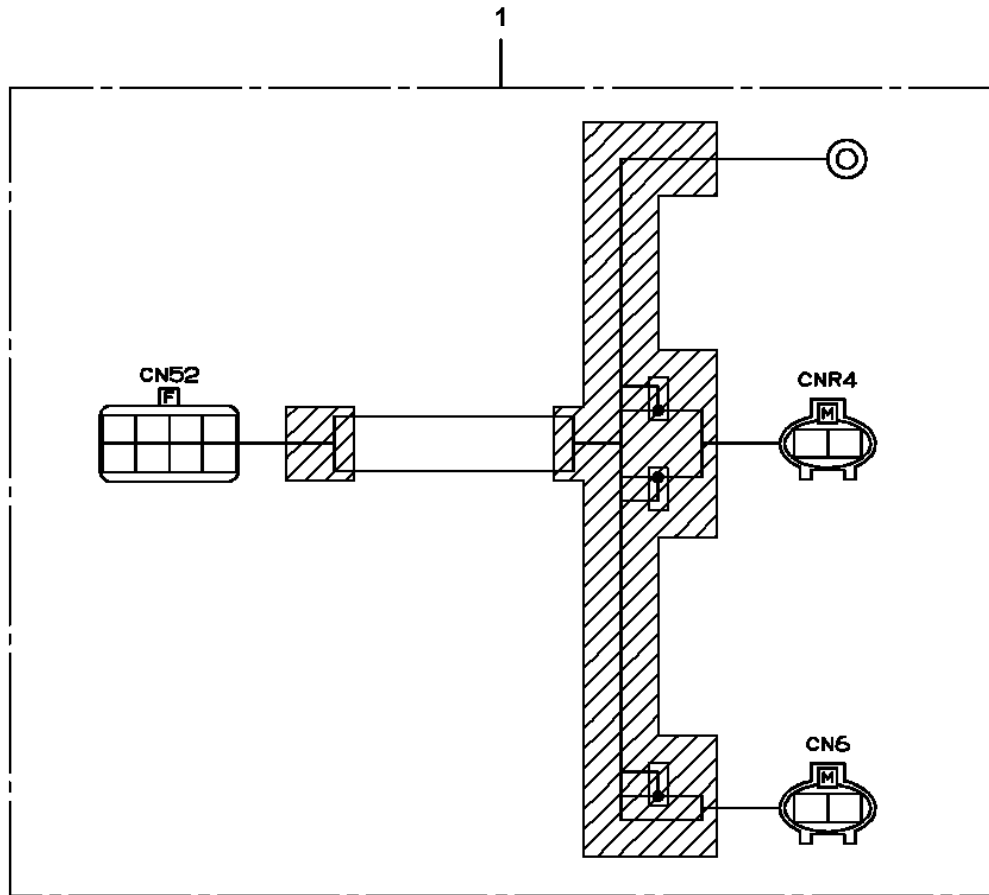
- Thank you very much for reading the preview of the manual.
- You can download the complete manual from: www.heydownloads.com by clicking the link below



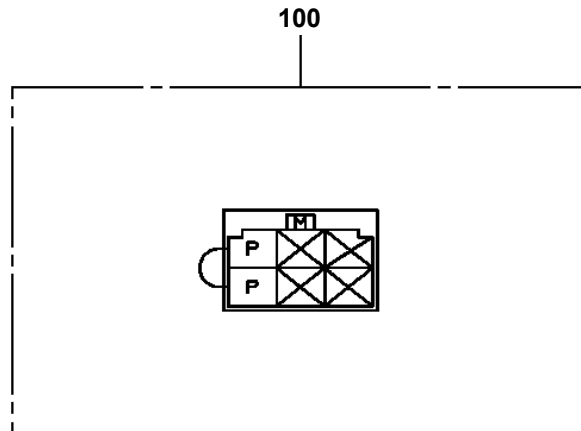
- Please note: If there is no response to CLICKING the link, please download this PDF first and then click on it.

CLICK HERE TO **DOWNLOAD** THE COMPLETE MANUAL

**AT-200S-2 42076200025 UPPER
PH5030406-00 HARNESS**

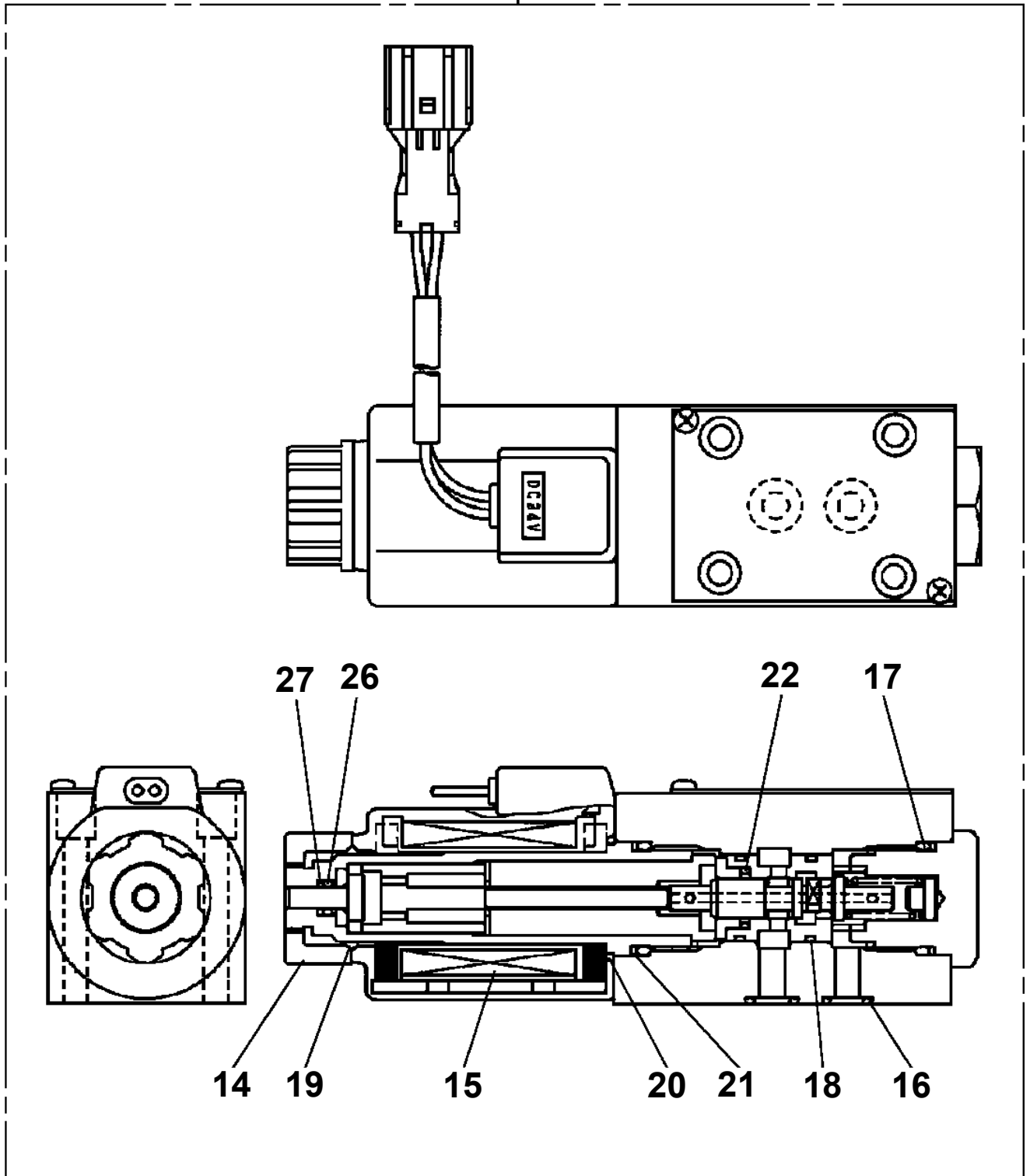


**AT-200S-2 42076200025 UPPER
PH5034365-00 HARNESS**



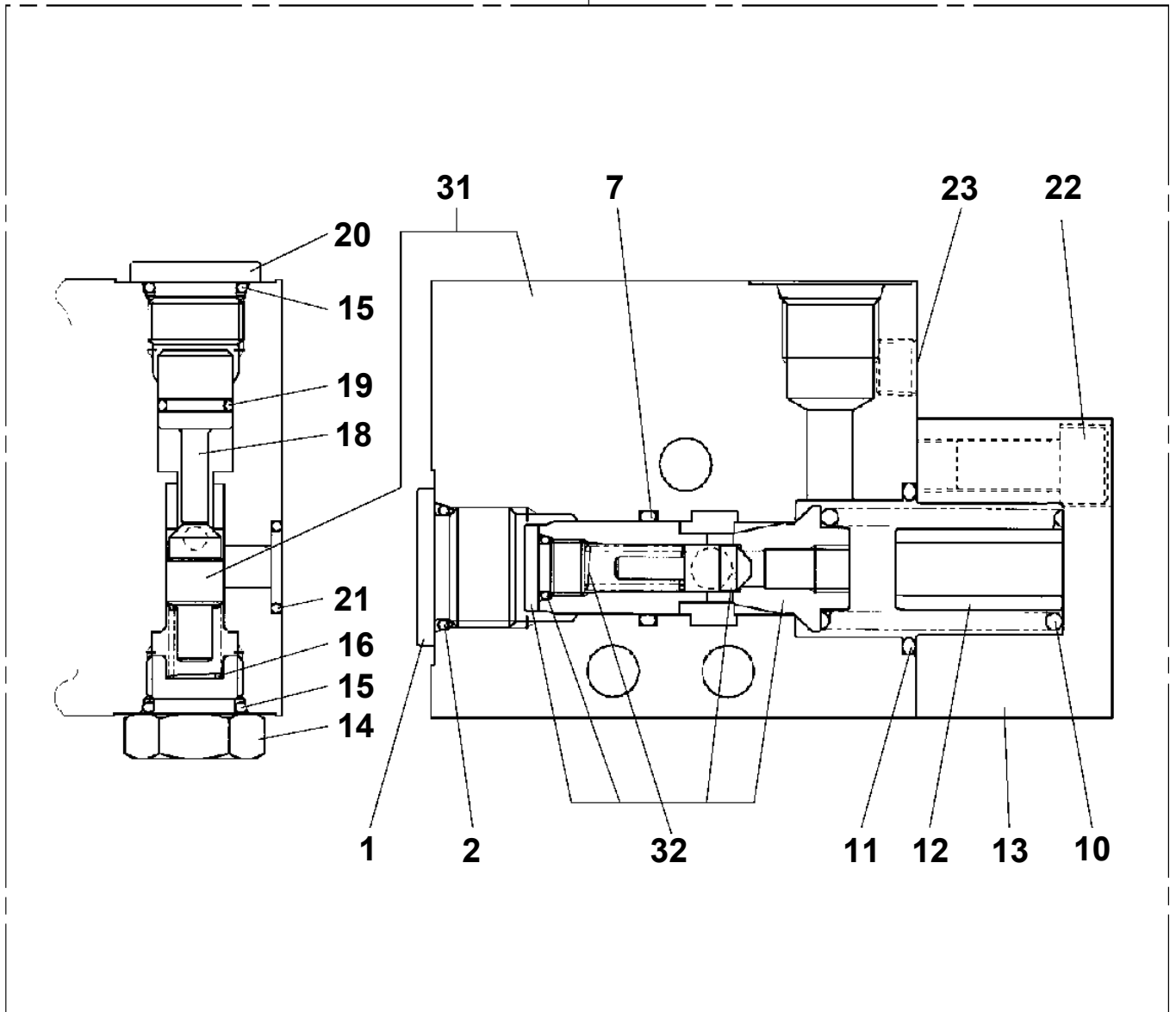
AT-200S-2 42076200025 UPPER
PI1120303-00 VALVE,SOLENOID

100

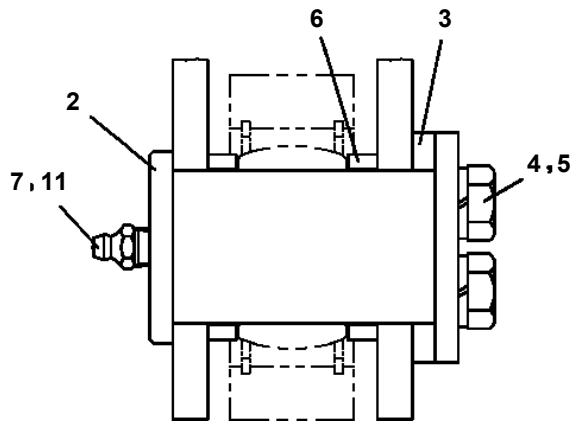
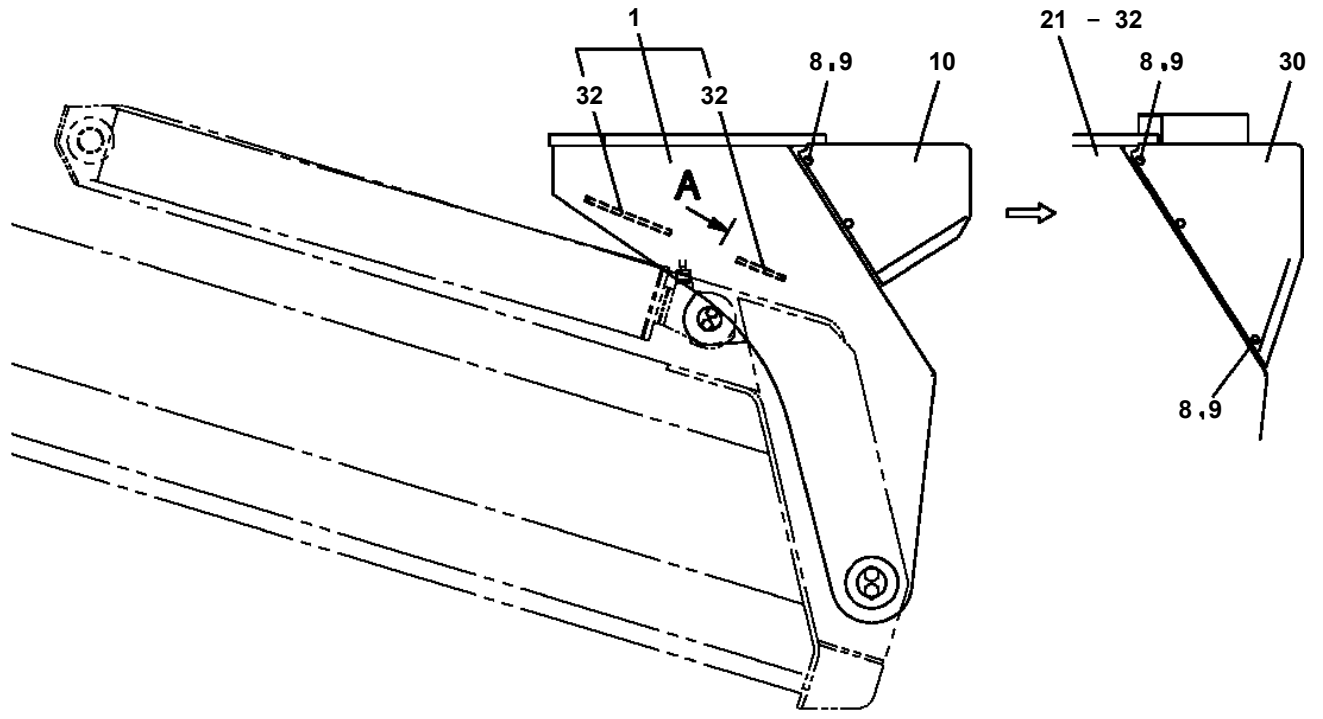


**AT-200S-2 42076200025 UPPER
PI1250137-00 VALVE,COUNTERBALANCE**

50

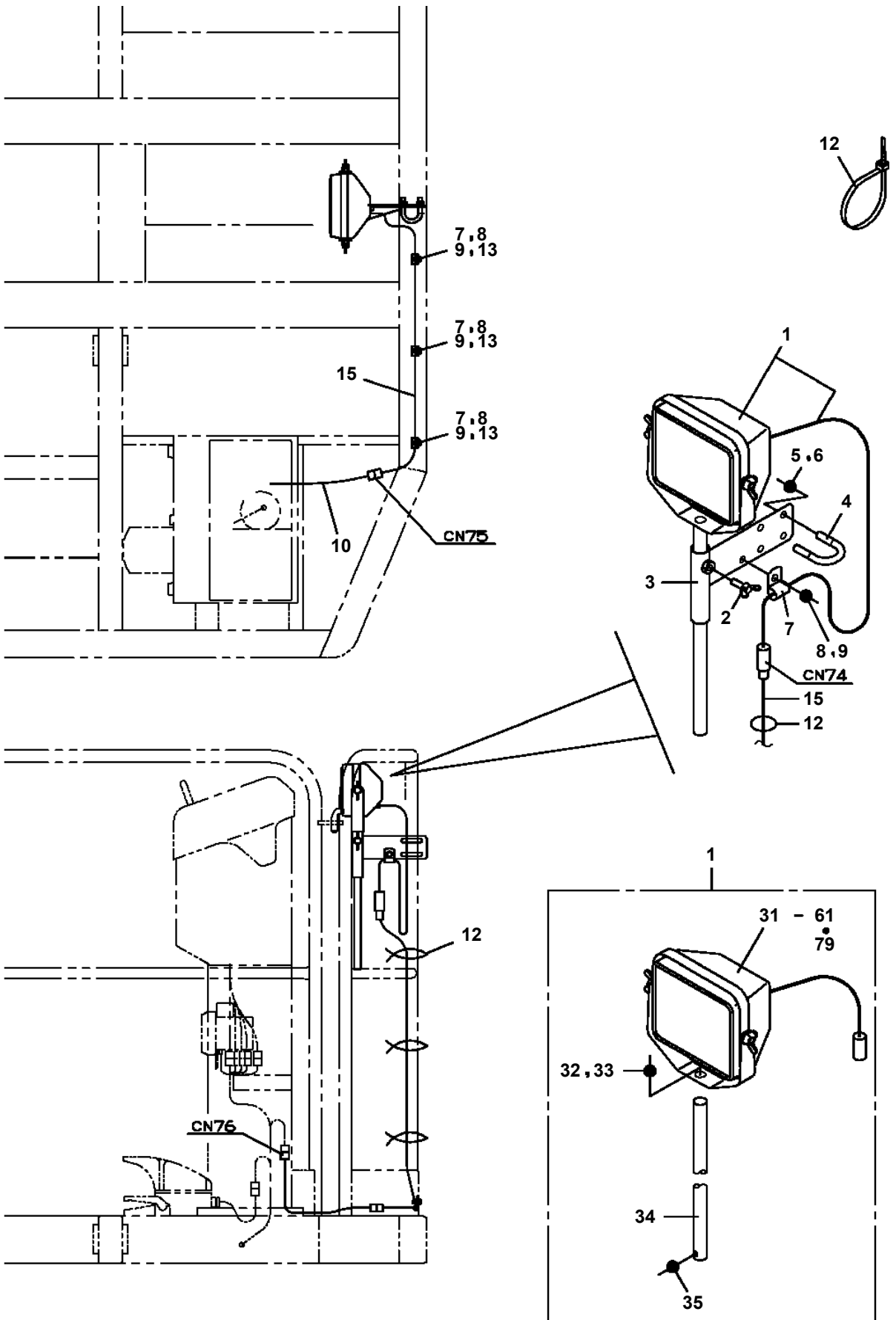


AT-200S-2 42076200025 UPPER
PK1010802-02 FRAME (PLATFORM)

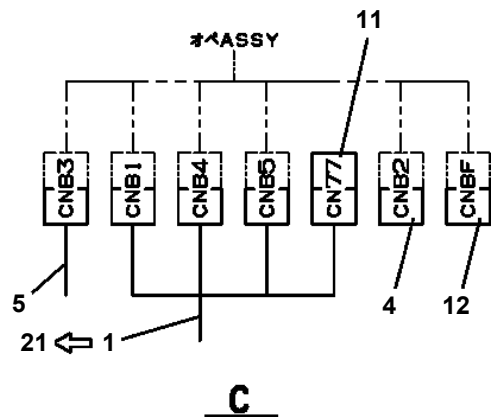
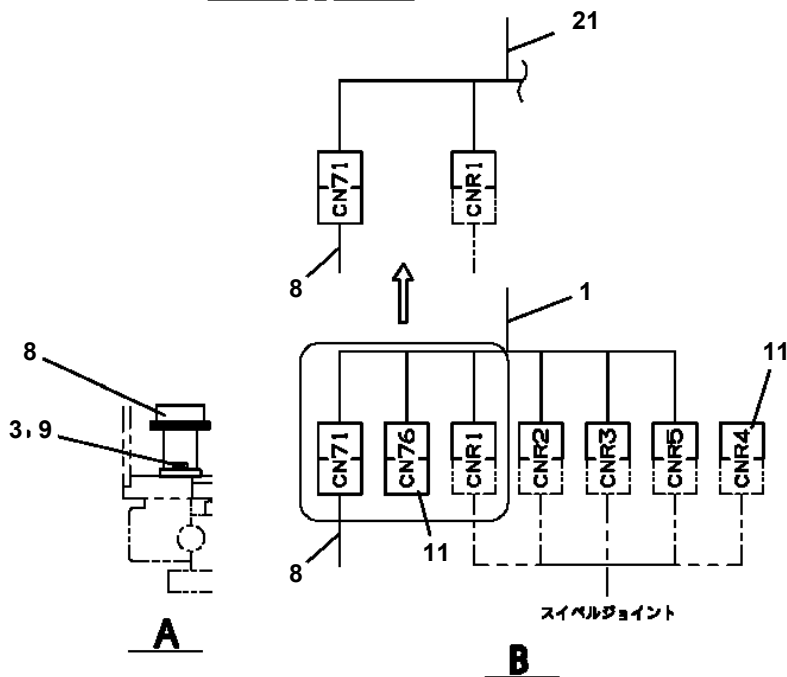
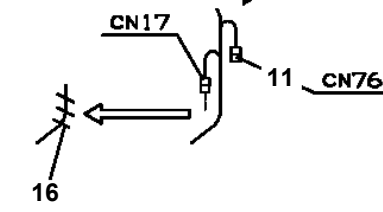
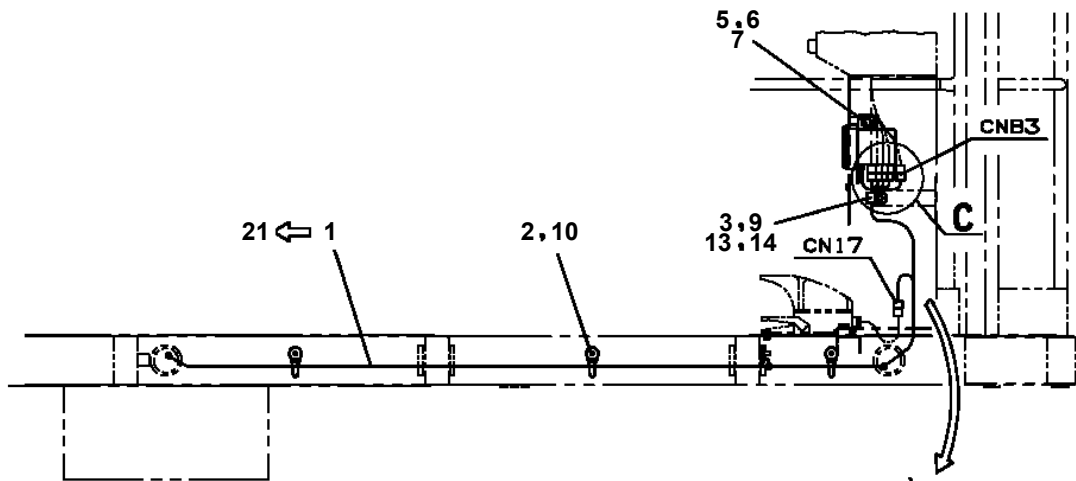
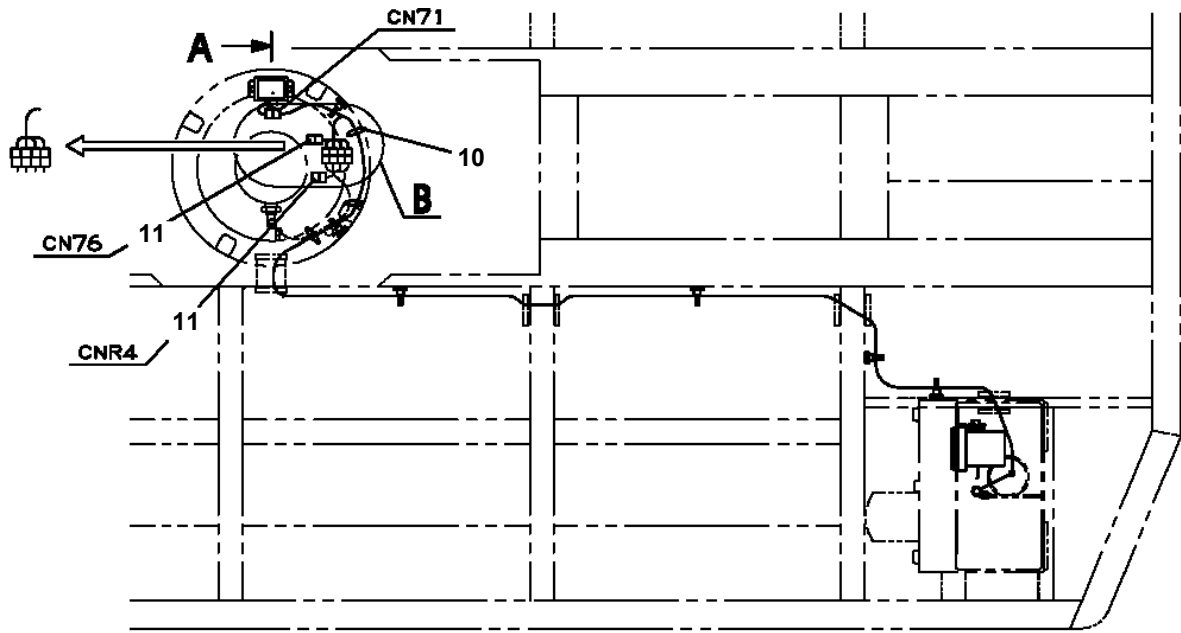


A

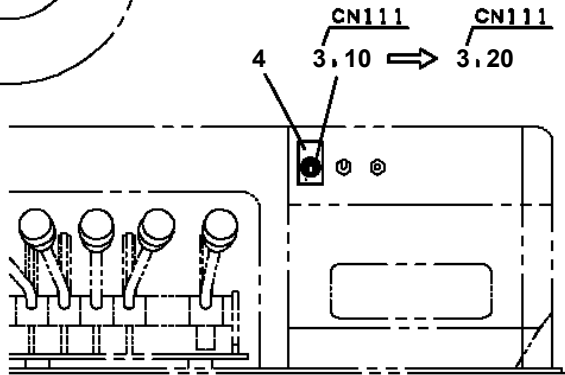
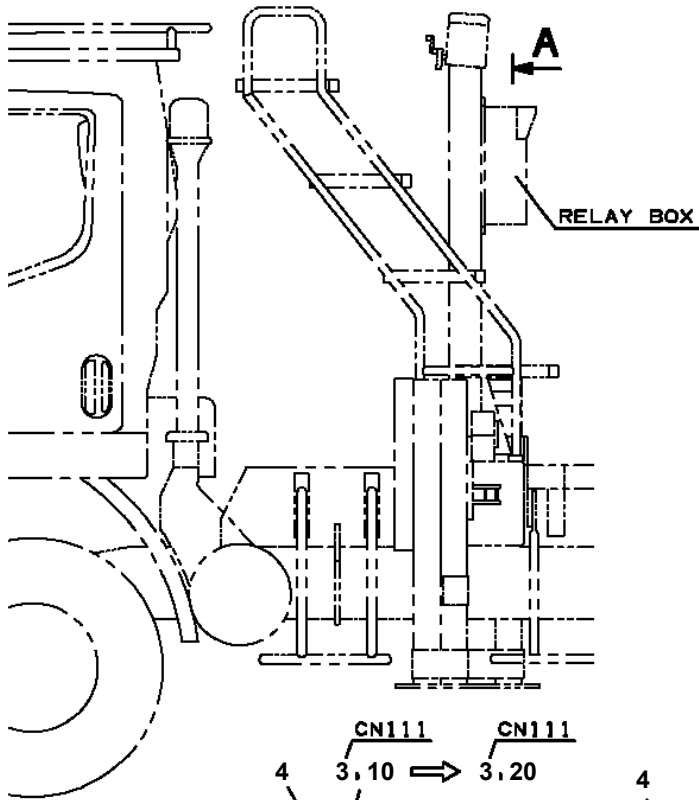
**AT-200S-2 42076200025 UPPER
PL5020064-01 LAMP ASSY (WORKING LAMP FOR STD DECK)**



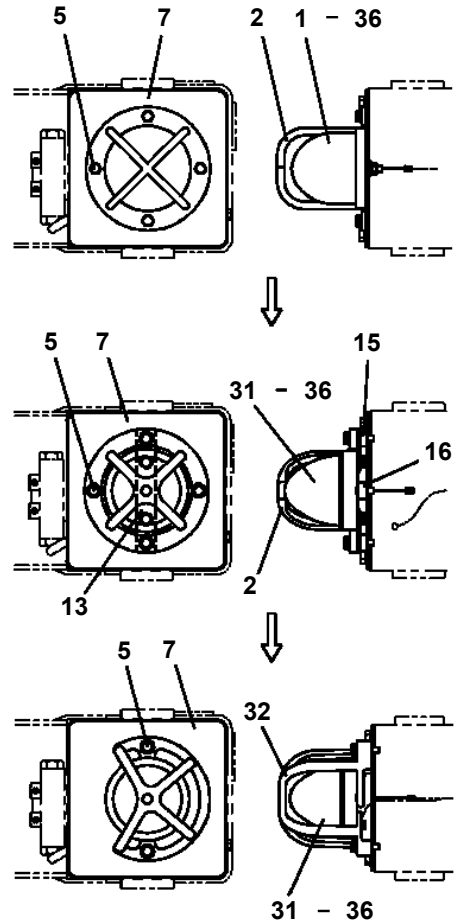
**AT-200S-2 42076200025 UPPER
PN1013366-02 ELEC.ASSY (PLATFORM)**



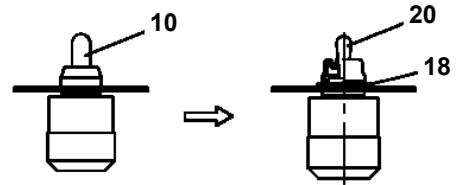
**AT-200S-2 42076200025 UPPER
PN1080322-03 LAMP (YELLOW)**



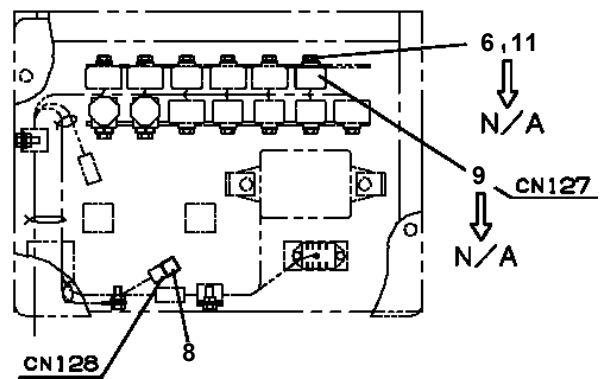
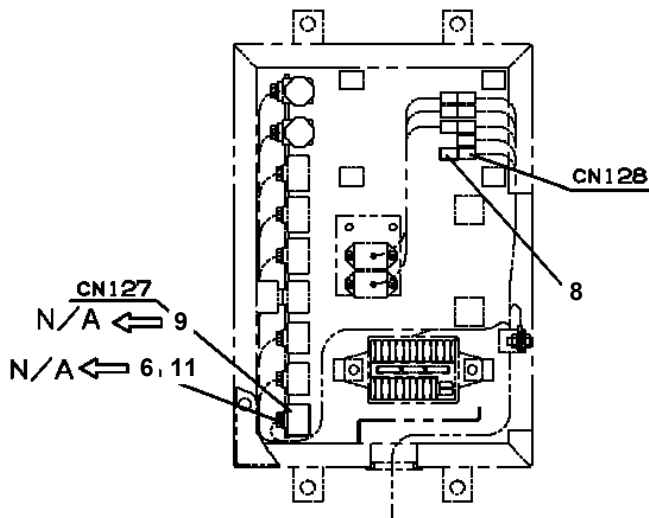
OUTRIGGER JACK UPPER



**OUTRIGGER CONTROLS
AT REAR OF FRAME**



TOGGLE SW



(AT-200S ONLY)

A

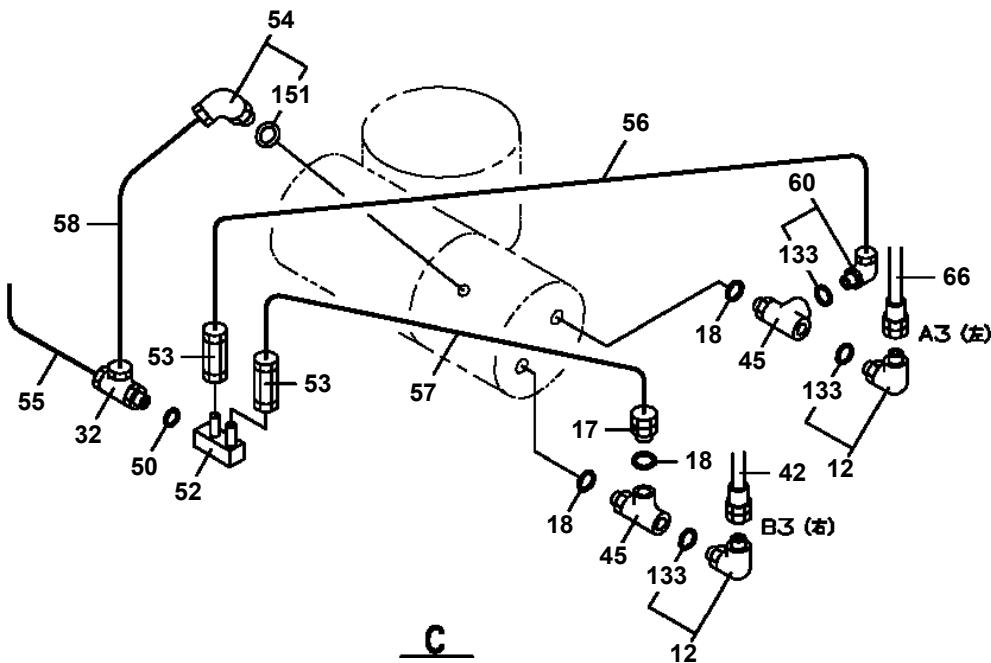
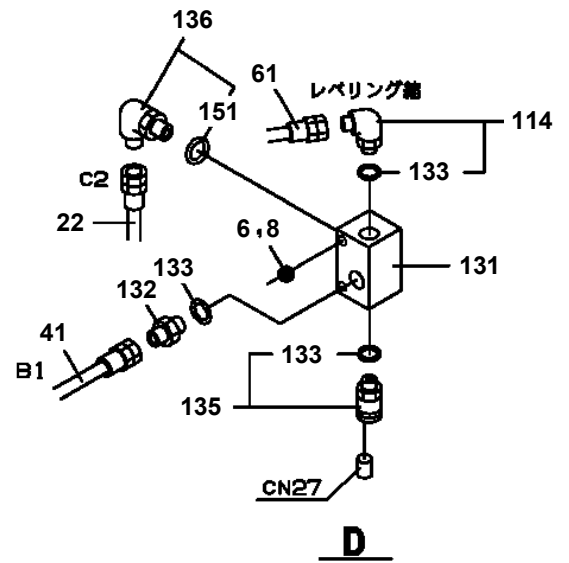
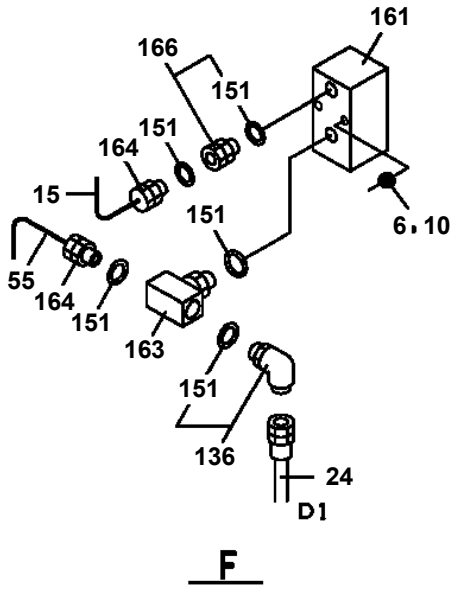
AT-200S-2 42076200025 UPPER

Pos No.	Parts No	Parts Name	Qty	Unit	Technical Data	Serial No (Start)	Serial No (E
1	42395461010	PLATE,NAME (BOOM SWING)	1				
2	42395461020	PLATE,NAME (PLATFORM SWING)	1				
3	42395461030	PLATE,NAME (PLATFORM VERTIAL)	1				
4	42395461040	PLATE,NAME (PLATFORM HORIZONTAL)	1				
5	42395461050	PLATE,NAME (DOWN)	1				
6	42395461060	PLATE,NAME (UP)	1				
7	42395461070	PLATE,NAME (EXT.)	1				
8	42395461080	PLATE,NAME (LOWER)	1				
9	42395461090	PLATE,NAME (RAISE)	1				
10	42395461100	PLATE,NAME (RET.)	1				
11	42395461110	PLATE,NAME (RIGHT)	2				
12	42395461120	PLATE,NAME (LEFT)	2				
13	42394091140	PLATE,NAME	1				
14	42394241620	PLATE,NAME (STOW.)	1				
15	42394241590	PLATE,NAME (ACCELERATOR)	1				
17	42395461130	PLATE,NAME (MOMENT)	1				
18	42395461141	PLATE,NAME	1				
19	42395461151	PLATE,NAME	1				
20	42395461161	PLATE,NAME	1				
21	42395461171	PLATE,NAME	1				
22	42395461181	PLATE,NAME	1				
23	42395461191	PLATE,NAME	1				
24	42395461201	PLATE,NAME	1				

AT-200S-2 42076200025 UPPER

Pos No.	Parts No	Parts Name	Qty	Unit	Technical Data	Serial No (Start)	Serial No (End)	Remarks	P
1	37004100030	PUMP,GREASE (240CC)	1						

**AT-200S-2 42076200025 UPPER
PP6330017-01 PIPING ASSY, SWING FRAME**



AT-200S-2 42076200025 UPPER

Pos No.	Parts No	Parts Name	Qty	Unit	Technical Data	Serial No (Start)	Serial No (End)	Remarks	Pa
1	42232401000	SWING FRAME ASSY	1						
2	37000175290	PIN	1						
3	90171110022	BOLT	4		M10X22				
4	90302041001	WASHER,SPRING	4		10				
5	13641155000	PLATE	2						
6	31630482500	CAP	1						
7	37000175300	PIN	1						
8	(*****)	PIPING,GREASE	1						000
9	37001500420	BOLT	17		M20X60				
10	90303502001	WASHER,PLAIN	17		20				
11	42231130010	PLATE	1						
12	82401800080	PLUG (FOR M8)	2						

AT-200S-2 42076200025 UPPER

Pos No.	Parts No	Parts Name	Qty	Unit	Technical Data	Serial No (Start)	Serial No (End)	Rem
1	42460015010	BAG,TOOL	1					
2	91991510003	HEXAGON BARWRENCH (G3)	1					
3	91991510004	HEXAGON BARWRENCH (G4)	1					
4	91991510005	HEXAGON BARWRENCH (G5)	1					
5	91991510006	HEXAGON BARWRENCH (G6)	1					
6	91991510008	HEXAGON BARWRENCH (G8)	1					
7	91991510010	HEXAGON BARWRENCH (G10)	1					
8	91991441311	SPANNER	1		13X11			
50	42473931000	TOOLS	1					

CLICK HERE TO **DOWNLOAD** THE COMPLETE MANUAL

- Thank you very much for reading the preview of the manual.
- You can download the complete manual from: www.heydownloads.com by clicking the link below



- Please note: If there is no response to CLICKING the link, please download this PDF first and then click on it.

CLICK HERE TO **DOWNLOAD** THE COMPLETE MANUAL