

AT-200S-1 42076120300 LOWER,MITSUBISHI KK-FE63EEY 6R2

PB3000098-00 POWER UNIT
PO1000149-00 INDICATION PLATES
PX2000544-00 CARRIER UNIT
PX3000328-00 MOUNTING UNIT
PY1000959-00 OPTIONS 1
PY2000142-01 OPTIONS 2
ASSEMBLY

CLICK HERE TO **DOWNLOAD** THE COMPLETE MANUAL

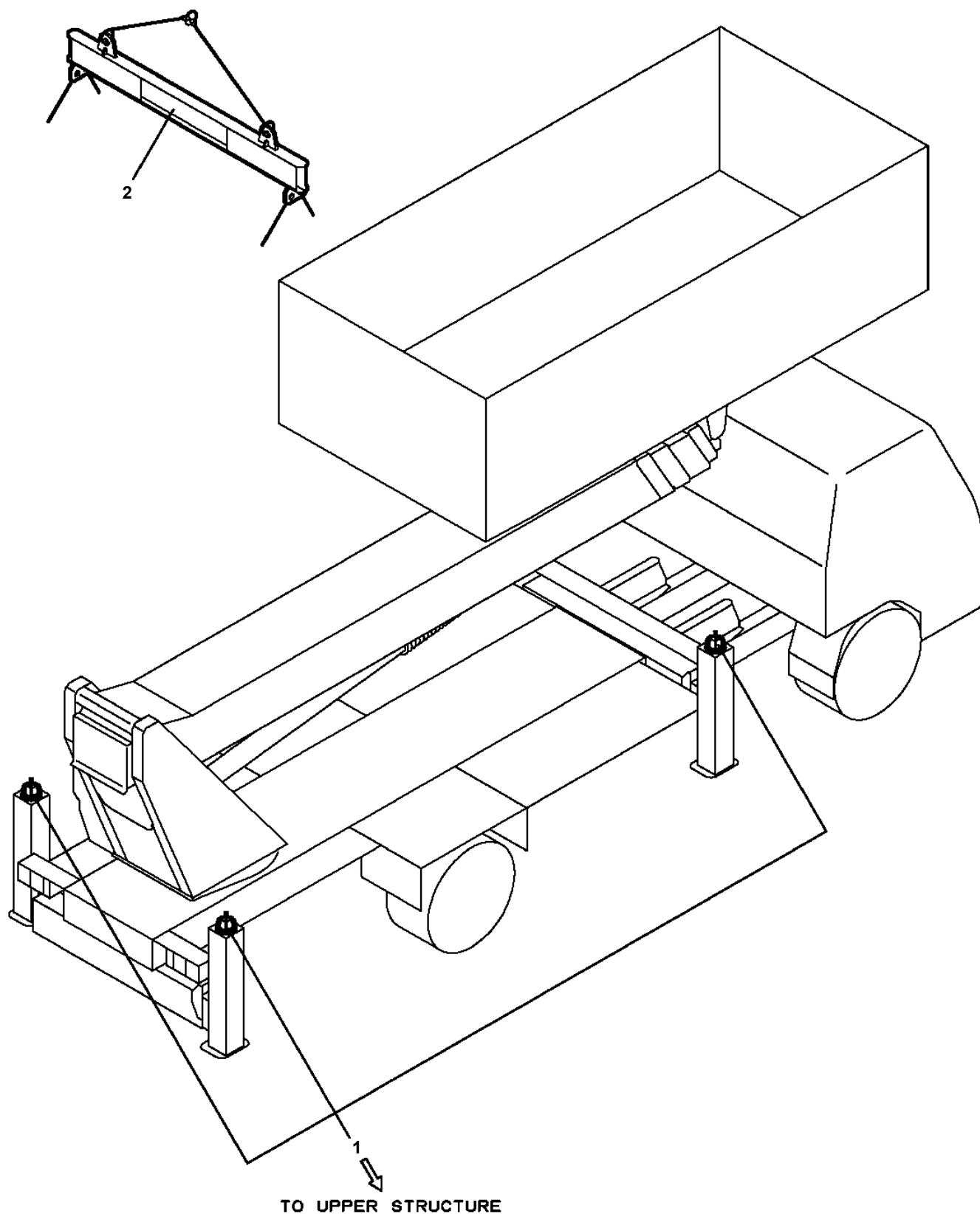
- Thank you very much for reading the preview of the manual.
- You can download the complete manual from: www.heydownloads.com by clicking the link below



- Please note: If there is no response to CLICKING the link, please download this PDF first and then click on it.

CLICK HERE TO **DOWNLOAD** THE COMPLETE MANUAL

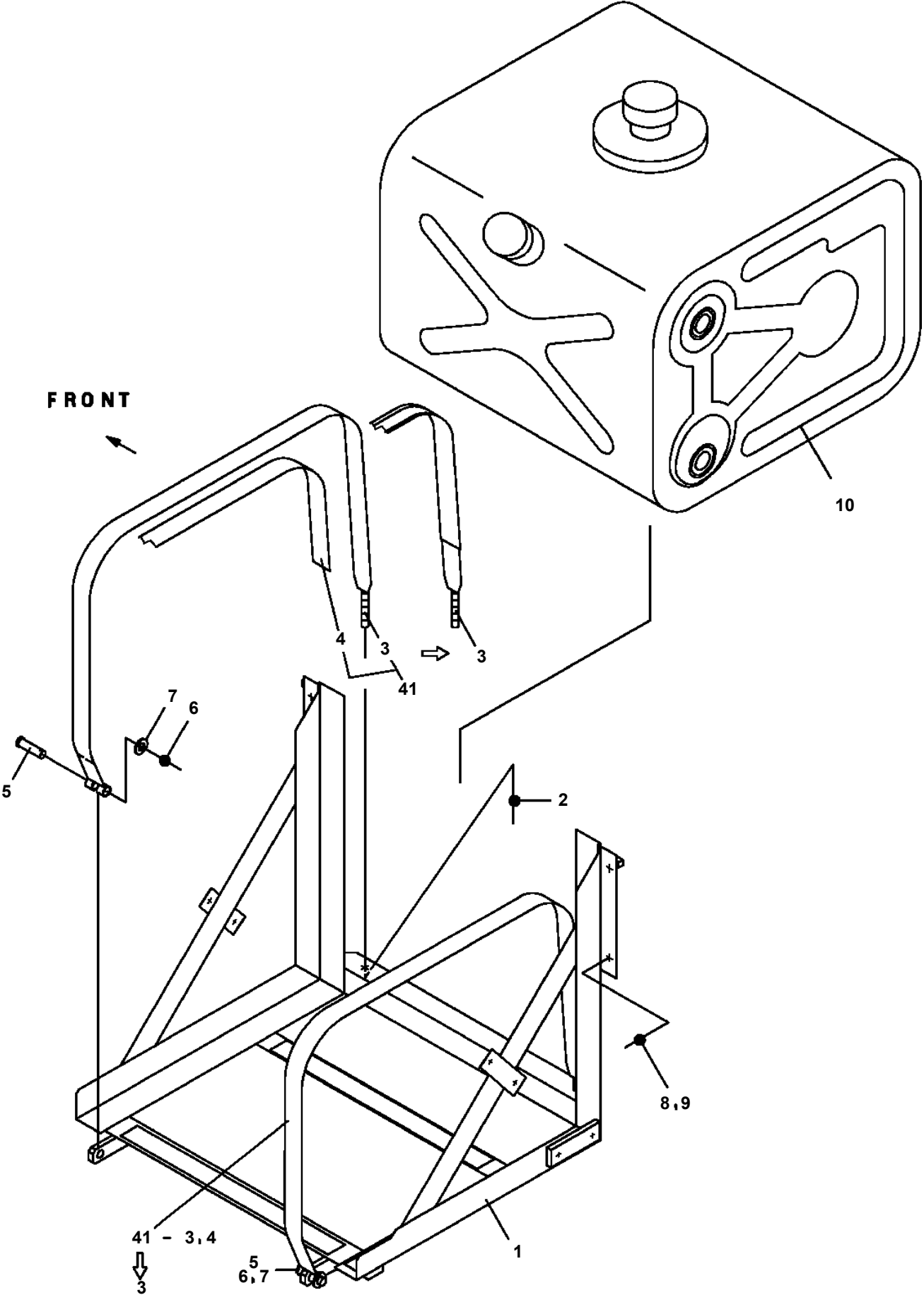
AT-200S-1 42076120300 LOWER, MITSUBISHI KK-FE63EEY 6R2
PY2000142-01 OPTIONS 2



適用製造番号によっては取り付けがないものもあります。

MACHINES OF SOME SERIAL NO. ARE NOT EQUIPPED WITH THESE PARTS.

AT-200S-1 42076120300 LOWER, MITSUBISHI KK-FE63EEY 6R2
PB1130237-02 TANK, OIL (MOUNT)



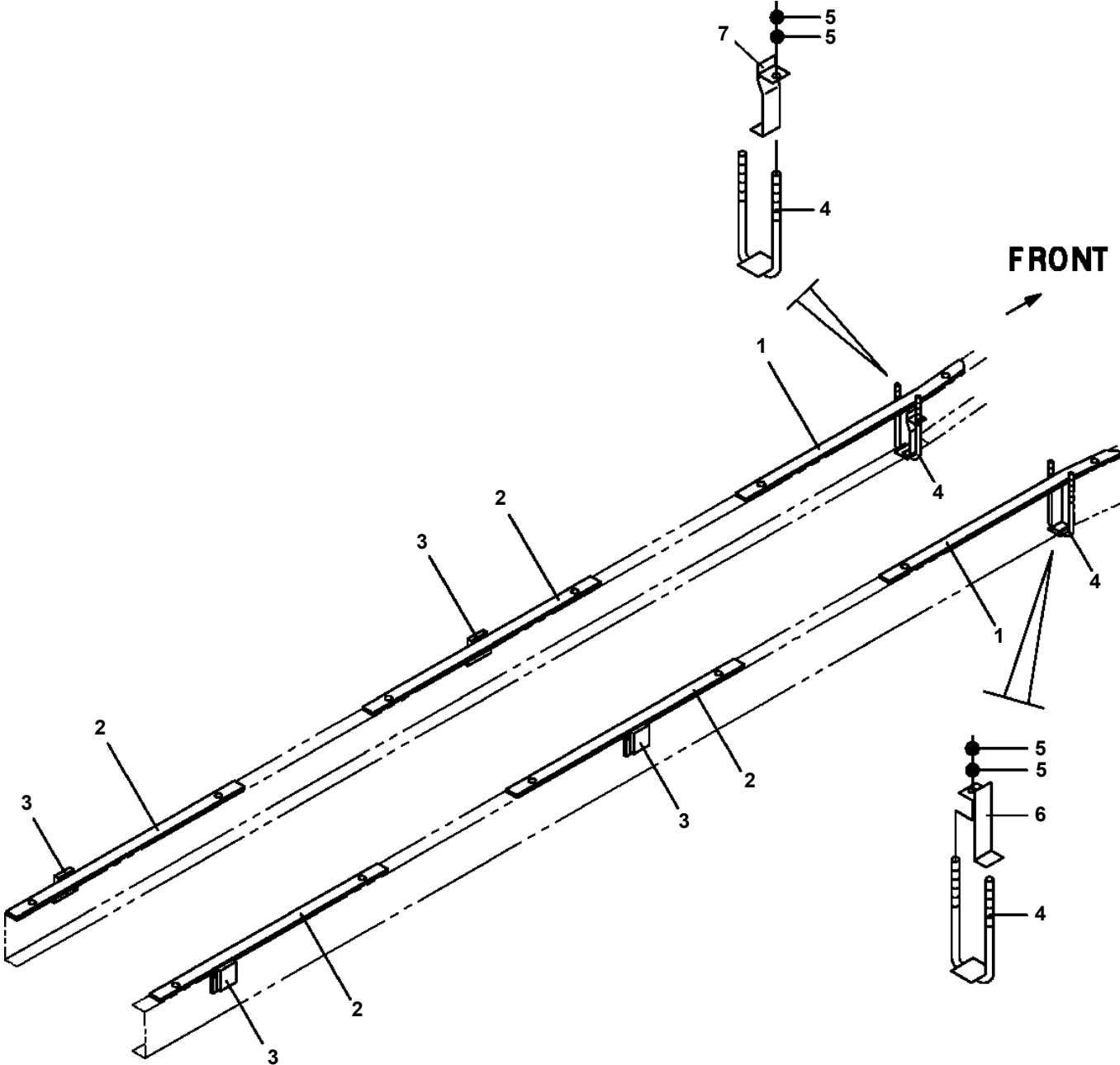
AT-200S-1 42076120300 LOWER,MITSUBISHI KK-FE63EEY 6R2

Pos No.	Parts No	Parts Name	Qty	Unit	Technical Data	Serial No (Start)	Serial No (End)	Remarks	Pages
3	36625060040	SPRING	1						
4	36625515020	PLUG	1						
5	91002801800	O-RING	1		1B P18				
50	36625510000	VALVE,CHECK	1						

AT-200S-1 42076120300 LOWER,MITSUBISHI KK-FE63EEY 6R2

Pos No.	Parts No	Parts Name	Qty	Unit	Technical Data	Serial No (Start)	Serial No (End)
1	42808310100	SUPPORT	1				
2	42808310200	SUPPORT	1				
3	82100002006	CLAMP	8		WR10		
4	90101206016	BOLT	8		M6X16		
5	90302040601	WASHER,SPRING	8		6		
6	90201200600	NUT	8		M6		
7	42808310300	HARNESS	2				
8	90303070801	WASHER,PLAIN	4		8		
9	82114102010	CONNECTOR (1P FEMALE,HOUSING)	2				
10	82111101510	TERMINAL	2				
11	82114101010	CONNECTOR	2				
12	82111101010	TERMINAL	2				
13	90101208025	BOLT	2		M8X25		
14	90302040801	WASHER,SPRING	2		8		
15	90201200800	NUT	2		M8		
16	91810130250	FASTENER	16				
17	82121101085	PLUG (AVS0.85)	4				
18	44431000010	PLUG	2				

AT-200S-1 42076120300 LOWER, MITSUBISHI KK-FE63EEY 6R2
PX1170671-00 ATTACHMENT PARTS, CRANE FRAME



CLICK HERE TO **DOWNLOAD** THE COMPLETE MANUAL

- Thank you very much for reading the preview of the manual.
- You can download the complete manual from: www.heydownloads.com by clicking the link below



- Please note: If there is no response to CLICKING the link, please download this PDF first and then click on it.

CLICK HERE TO **DOWNLOAD** THE COMPLETE MANUAL