

**AT-195-1 42093140600 LOWER,ISUZU PB-NKR81N-G5NXY**

PB3000144-00 POWER UNIT  
PO1000149-00 INDICATION PLATES  
PX2000926-00 CARRIER UNIT  
PX3000400-00 MOUNTING UNIT  
PY1001253-01 OPTIONS,1  
ASSEMBLY

CLICK HERE TO **DOWNLOAD** THE COMPLETE MANUAL

- Thank you very much for reading the preview of the manual.
- You can download the complete manual from: [www.heydownloads.com](http://www.heydownloads.com) by clicking the link below



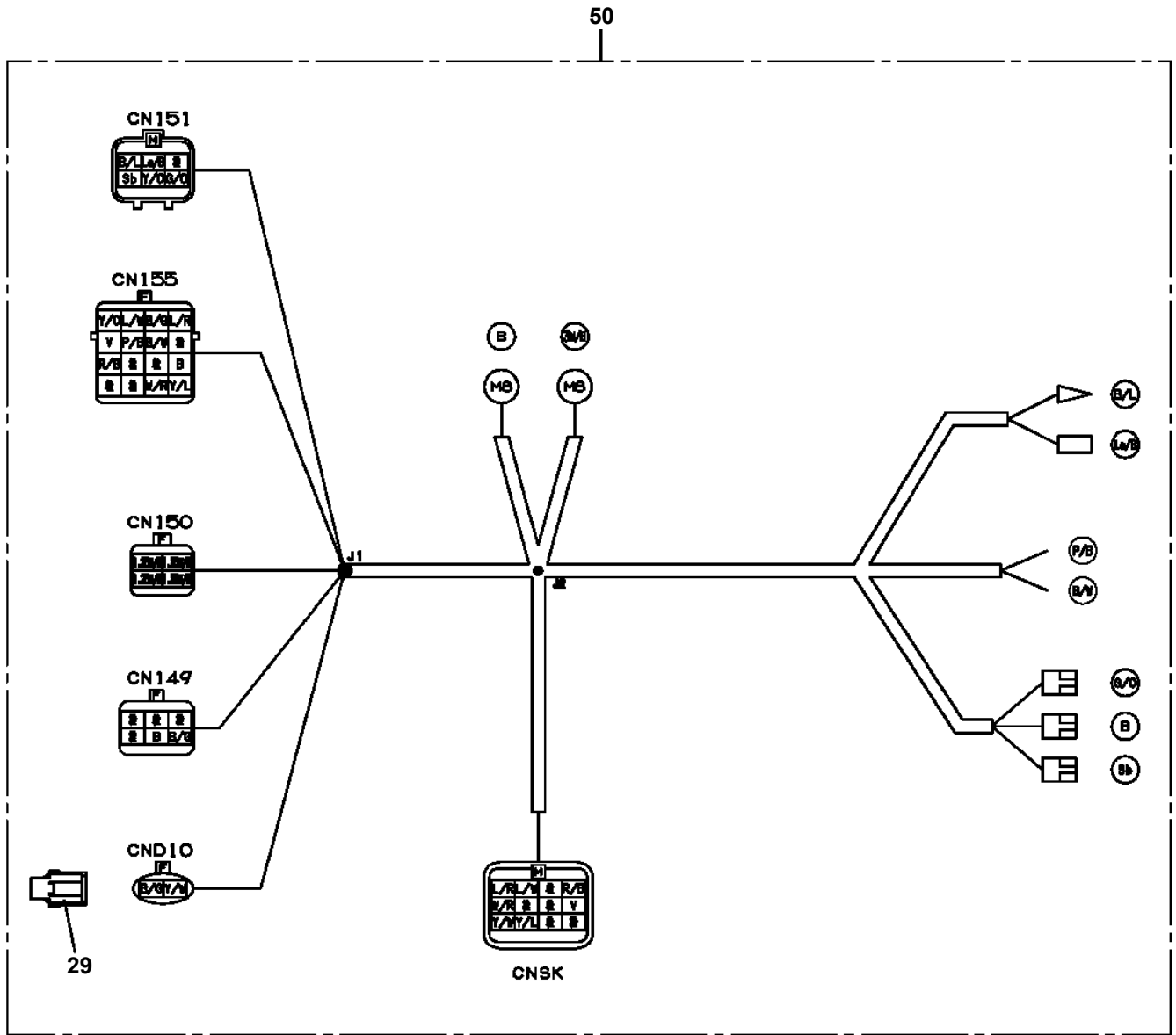
- Please note: If there is no response to CLICKING the link, please download this PDF first and then click on it.

CLICK HERE TO **DOWNLOAD** THE COMPLETE MANUAL

# **AT-195-1 42093140600 LOWER,ISUZU PB-NKR81N-G5NXY**

PB1050172-00 OPE.ASSY,P.T.O. (COUPLING)  
PB1100101-02 PUMP,HYDRAULIC (EMERGENCY)  
PB1110012-01 PUMP INSTALLATION  
PB1110014-00 MOUNT,PUMP (EMERGENCY)  
PB1411739-01 PIPING,LOWER  
PH5030685-00 HARNESS  
PH5031703-00 HARNESS  
PH5031756-00 HARNESS  
PH5034137-00 HARNESS  
PL1030811-00 OPE.ASSY,ACCELERATOR (MOTOR)  
PN1013934-02 ELEC.ASSY (CARRIER)  
PO1013445-01 PLATE ASSY,NAME (VEHICLE HEIGHT)  
PO1014591-01 NAME PLATE ASSY (SMOOTHER-E/PTO OPERATION)  
PP5500003-00 PUMP,OIL (32CC:L)  
PX1030394-00 FENDER  
PX1120410-01 BOOM REST  
PX1170645-00 ATTACHMENT PARTS,CRANE FRAME  
PX1200598-00 SIDE GUARD  
PX1210130-00 GUARD (100KG,770X670X200,WITH HOOK)  
PX1210156-00 GUARD (100KG,950X950X200,WITH HOOK)  
PX1290369-02 WEIGHT  
PX1310256-00 MOUNT,LAMP (TAIL)  
PX1360085-01 REFLECTOR (FRAME SIDE)  
PX1360090-00 REFLECTOR  
PX1390791-00 MODIFICATION PARTS  
PX1410189-01 MOUNT,TIRE  
PX1830013-00 COUPLING  
PY1510042-00 HOUR METER

AT-195-1 42093140600 LOWER,ISUZU PB-NKR81N-G5NXY  
 PH5030685-00 HARNESS



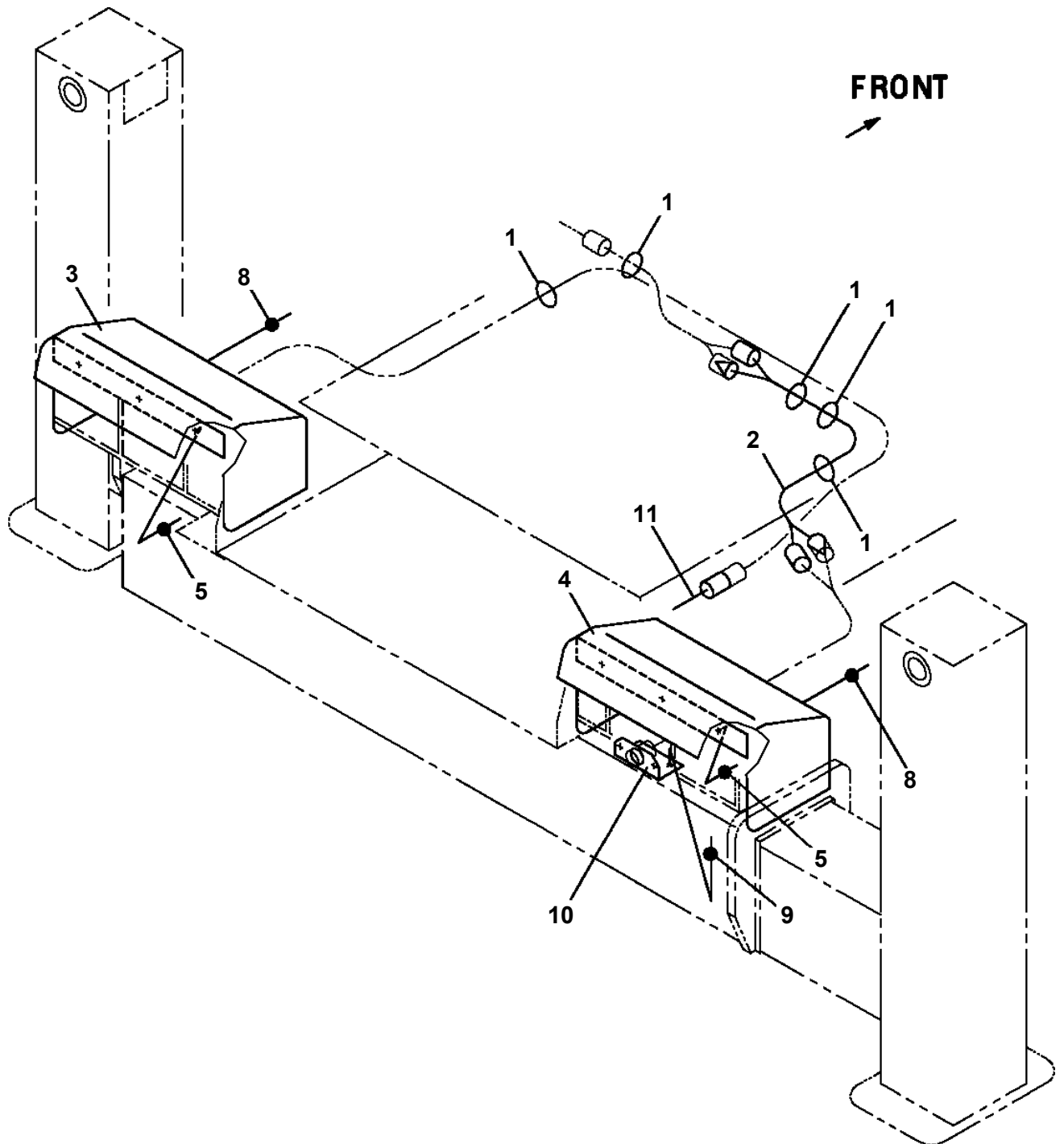
# AT-195-1 42093140600 LOWER,ISUZU PB-NKR81N-G5NXY

Pos No.	Parts No	Parts Name	Qty	Unit	Technical Data	Serial No (Start)	Serial No (End)	Remarks	Pages
1	82420506412	TRIM	N						
3	42934320100	HARNESS	1						000012
4	91810132530	FASTENER	10						
5	82115001002	CONNECTOR	2						

# AT-195-1 42093140600 LOWER,ISUZU PB-NKR81N-G5NXY

Pos No.	Parts No	Parts Name	Qty	Unit	Technical Data	Serial No (Start)	Serial No (End)	Remarks	Pages
2	42873800100	CUSHION	2						
3	90171110018	BOLT	4		M10X18				
4	90171114035	BOLT	4		M14X35				
5	90302041401	WASHER,SPRING	4		14				
6	90302041001	WASHER,SPRING	4		10				
8	42873811001	SUPPORT	1				240470		
	42873812000	SUPPORT	1			240471			

AT-195-1 42093140600 LOWER,ISUZU PB-NKR81N-G5NXY  
PX1310256-00 MOUNT,LAMP (TAIL)



CLICK HERE TO **DOWNLOAD** THE COMPLETE MANUAL

- Thank you very much for reading the preview of the manual.
- You can download the complete manual from: [www.heydownloads.com](http://www.heydownloads.com) by clicking the link below



- Please note: If there is no response to CLICKING the link, please download this PDF first and then click on it.

CLICK HERE TO **DOWNLOAD** THE COMPLETE MANUAL