

**AT-157-1 43002142515 UPPER,LOWER,ISUZU TPG-NKR85N-EJ5AHY-M**

**PB0000276-02 UPPER STRUCTURE SYSTEM**

**PB0000513-00 LOWER STRUCTURE SYSTEM**

**ASSEMBLY**

CLICK HERE TO **DOWNLOAD** THE COMPLETE MANUAL

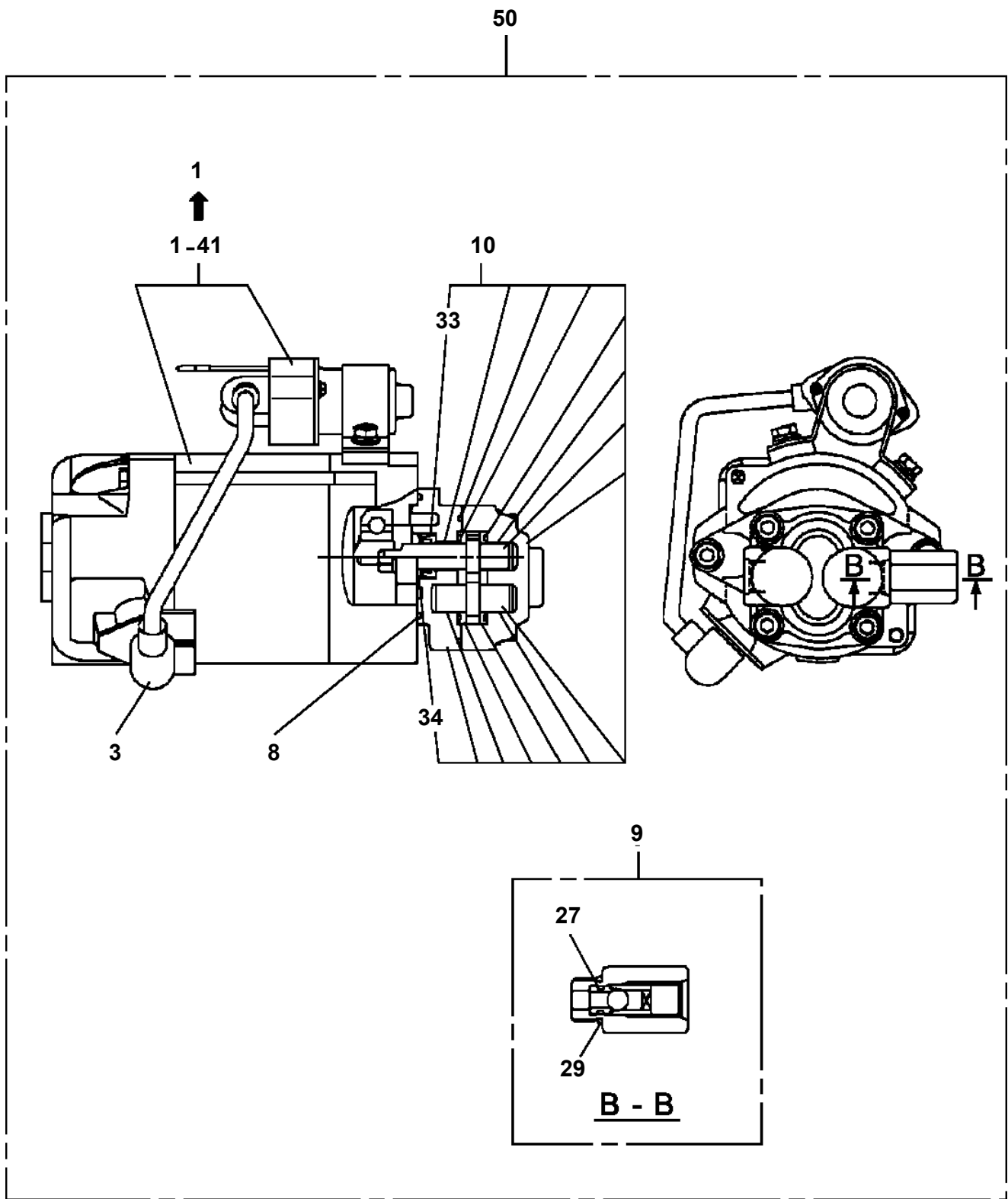
- Thank you very much for reading the preview of the manual.
- You can download the complete manual from: [www.heydownloads.com](http://www.heydownloads.com) by clicking the link below



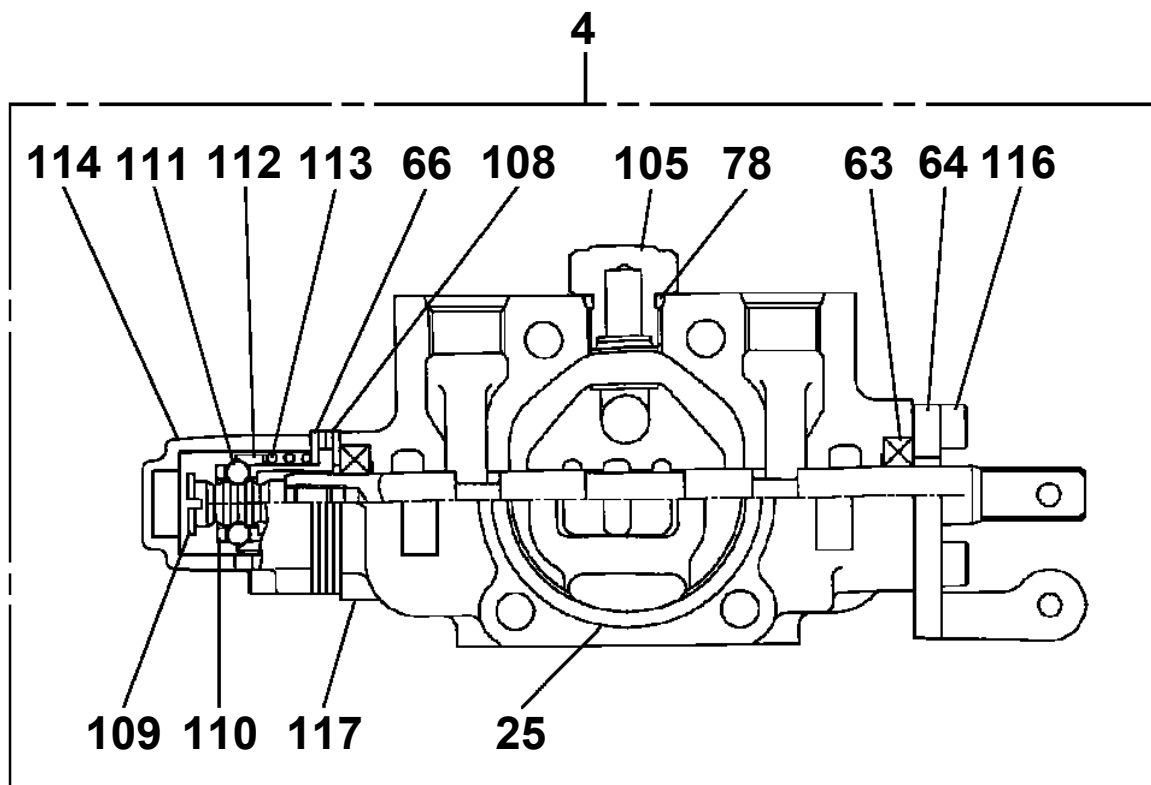
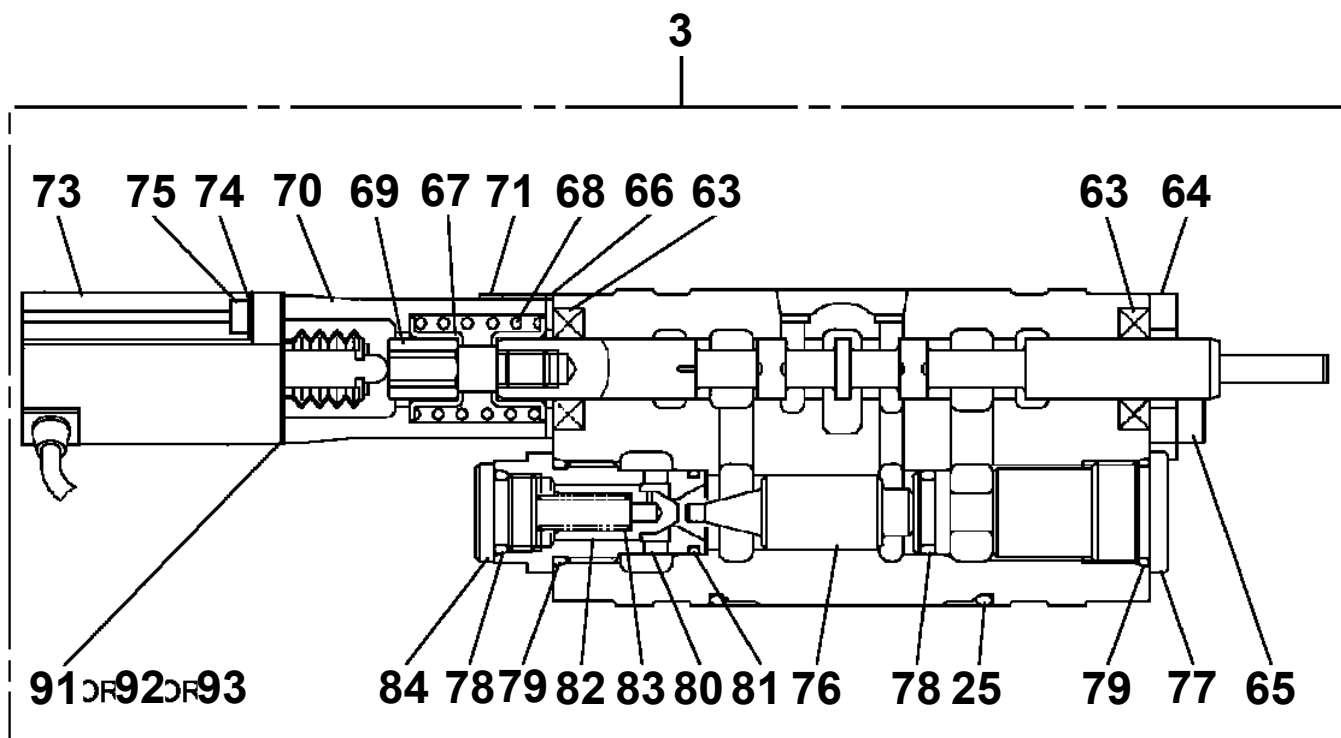
- Please note: If there is no response to CLICKING the link, please download this PDF first and then click on it.

CLICK HERE TO **DOWNLOAD** THE COMPLETE MANUAL

AT-157-1 43002142515 UPPER,LOWER,ISUZU TPG-NKR85N-EJ5AHY-M  
PB1100101-02 PUMP,HYDRAULIC (EMERGENCY)



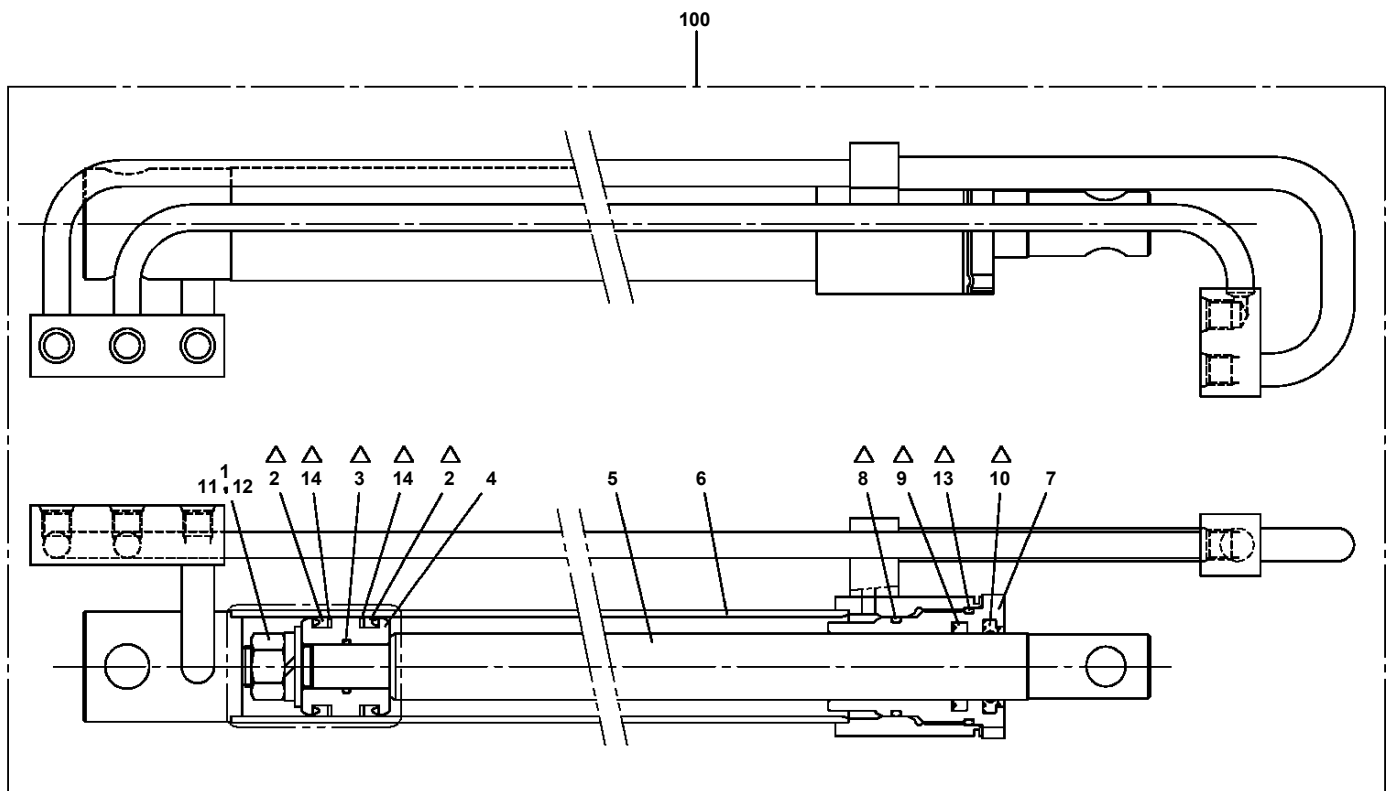
AT-157-1 43002142515 UPPER,LOWER,ISUZU TPG-NKR85N-EJ5AHY-M  
 PB1320537-01 VALVE,MANUAL CONTROL



# AT-157-1 43002142515 UPPER,LOWER,ISUZU TPG-NKR85N-EJ5AHY-M

Pos No.	Parts No	Parts Name	Qty	Unit	Technical Data	Serial No (Start)	Serial No (End)	Remarks
2	42630737510	HOUSING	1					
3	34630987510	O-RING	1					
4	42630927510	BASE	1					
5	31631457530	SPACER	2					
6	42630927520	BRACKET(SHAFT)	1					
7	42630737530	PLATE	1					
8	42630927530	BUSH	1					
11	42630617560	COUPLING	1					
12	31631457590	BEARING	1					
13	42442407540	BEARING	1					
14	42630617590	STAND (BRUSH/LOWER)	1					
15	42630617600	STAND (BRUSH/MIDDLE)	15					
16	42630617610	STAND (BRUSH)	2					
17	42442407560	WASHER	2					
22	90302040501	WASHER,SPRING	2		5			
25	34630987560	POTENTIOMETER	1					
27	42441877520	PLATE	1					
28	42630737570	ARM ASSY	1					
31	42630737580	PLATE	1					
32	31631457520	INSULATOR	1					
33	42630617660	RING,SLIP	16					
34	42630617670	PLATE	16					
35	31631457620	TERMINAL	16					
36	42630617620	BRUSH ASSY	16					
38	42442407550	CLAMP	1					
40	31631457720	PLATE	1					
41	90131905010	BOLT,HEXAGON SOCKET	2					
45	42630737610	PIN	1					
48	42630737630	BUSHING	1					
100	42630921000	BRUSH ASSY	1					

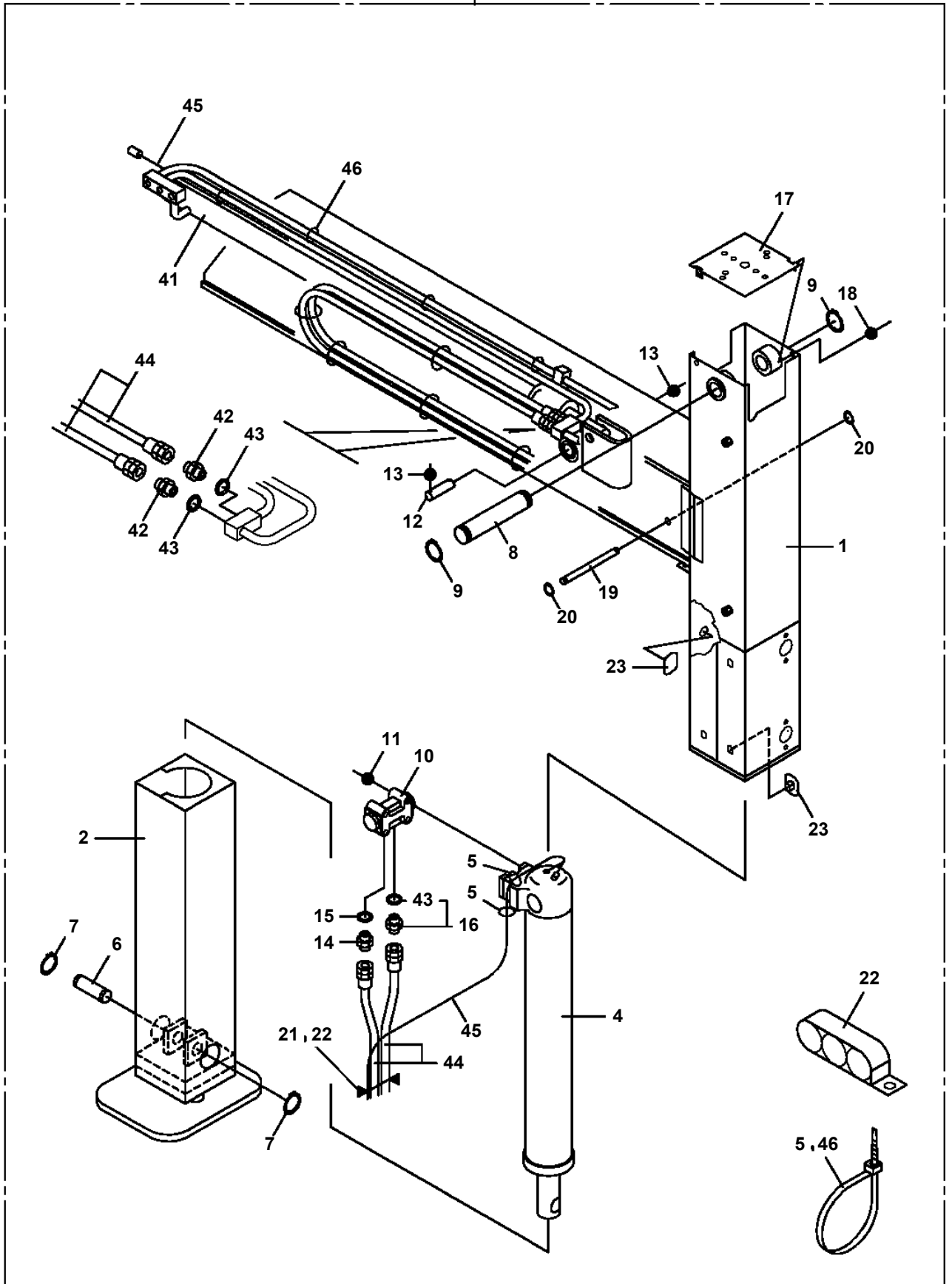
**AT-157-1 43002142515 UPPER,LOWER,ISUZU TPG-NKR85N-EJ5AHY-M  
PC1050222-00 CYLINDER,EXTENSION (REAR)**



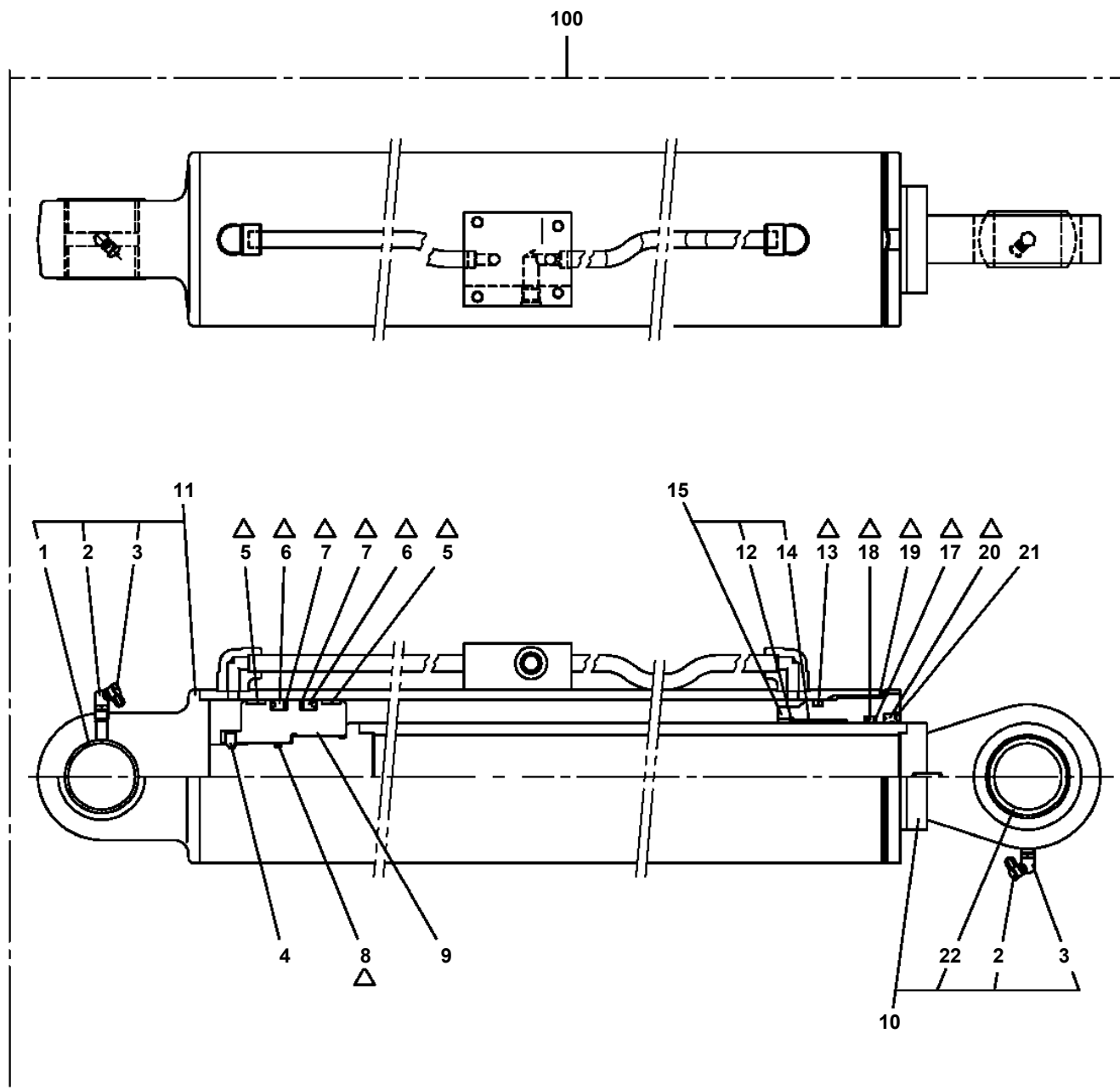
Δ:PACKING SET KEY NO.30 (KEY NO.2,3,8,9,10,13,14)

AT-157-1 43002142515 UPPER,LOWER,ISUZU TPG-NKR85N-EJ5AHY-M  
PC5150115-00 CASE ASSY,INNER (F,R)

100

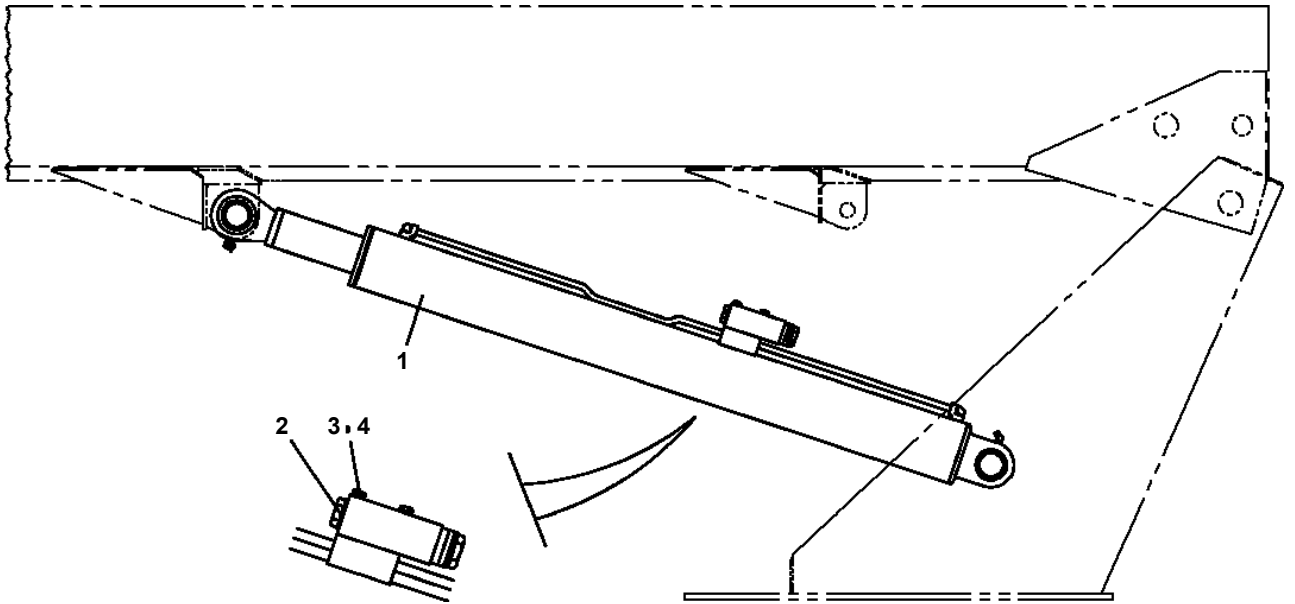


**AT-157-1 43002142515 UPPER,LOWER,ISUZU TPG-NKR85N-EJ5AHY-M  
PC6370037-00 CYLINDER ASSY,DERRICK**

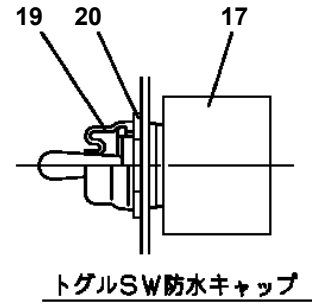
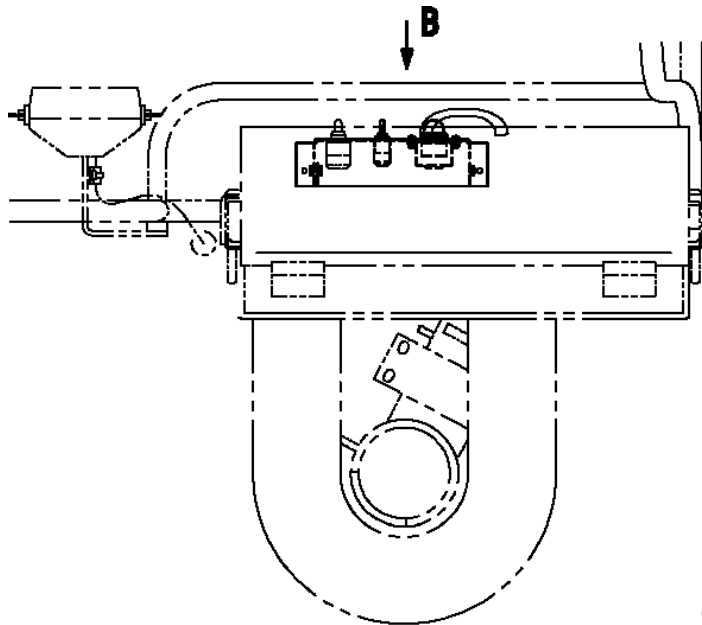


Δ:PACKING SET KEY NO.80 (KEY NO.5,6,7,8,13,17,18,19,20)

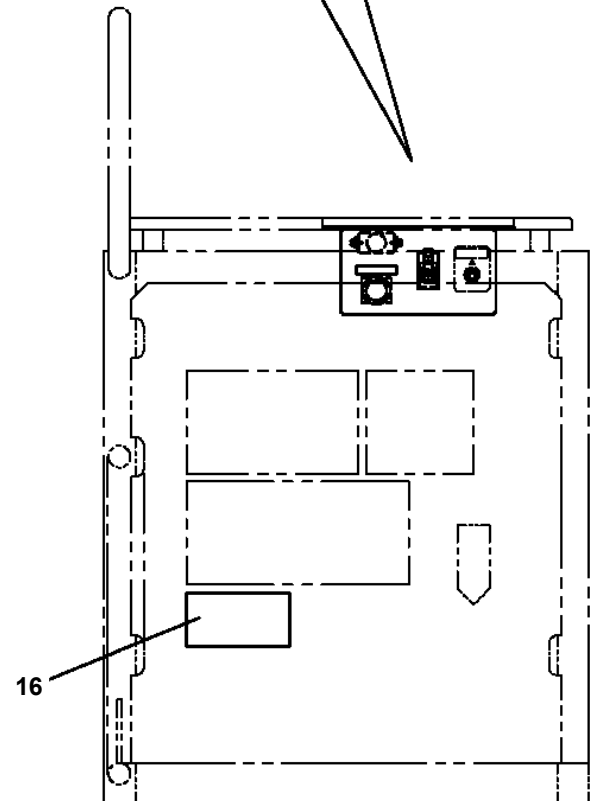
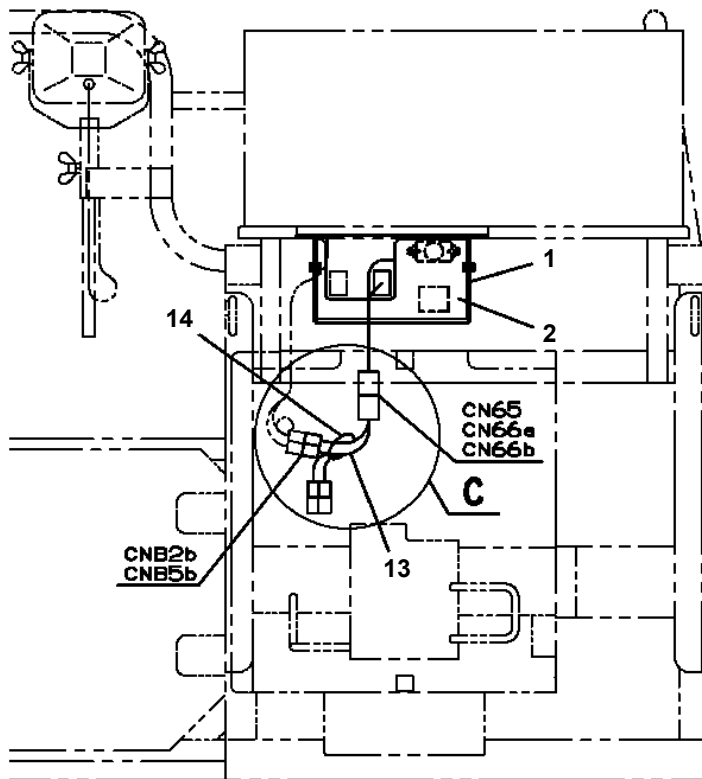
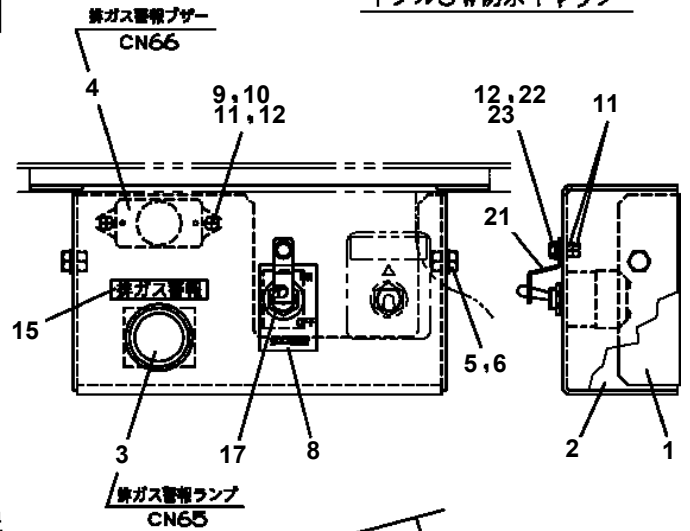
AT-157-1 43002142515 UPPER,LOWER,ISUZU TPG-NKR85N-EJ5AHY-M  
PD5020025-00 DERRICK ASSY



AT-157-1 43002142515 UPPER,LOWER,ISUZU TPG-NKR85N-EJ5AHY-M  
PE5020186-00 ELEC.ASSY



トグルSW防水キャップ



**B**

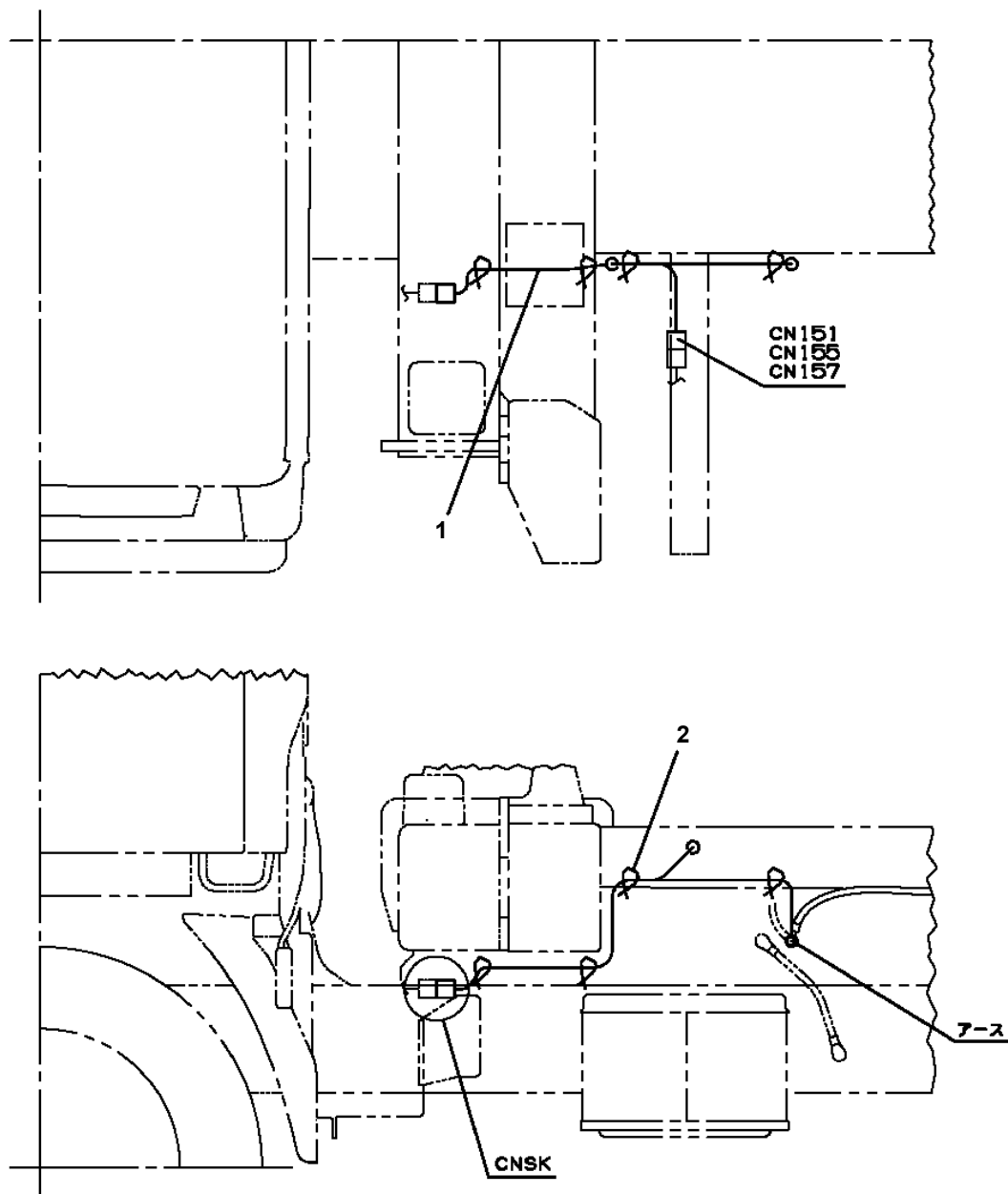
16

**注意 / 排ガス浄化装置**

○「排ガス警報」ランプが点滅しプザーが鳴った場合は作業を中止しプーアを抜給してください。そのまま使用を続けると、排ガス浄化装置およびエンジンが故障します。抜給後PTOを切り車両の取扱説明書に従って再点検を行ってください。

AT-157-1 43002142515 UPPER,LOWER,ISUZU TPG-NKR85N-EJ5AHY-M  
PE5070111-01 ELEC.ASSY,CARRIER

FRONT ←



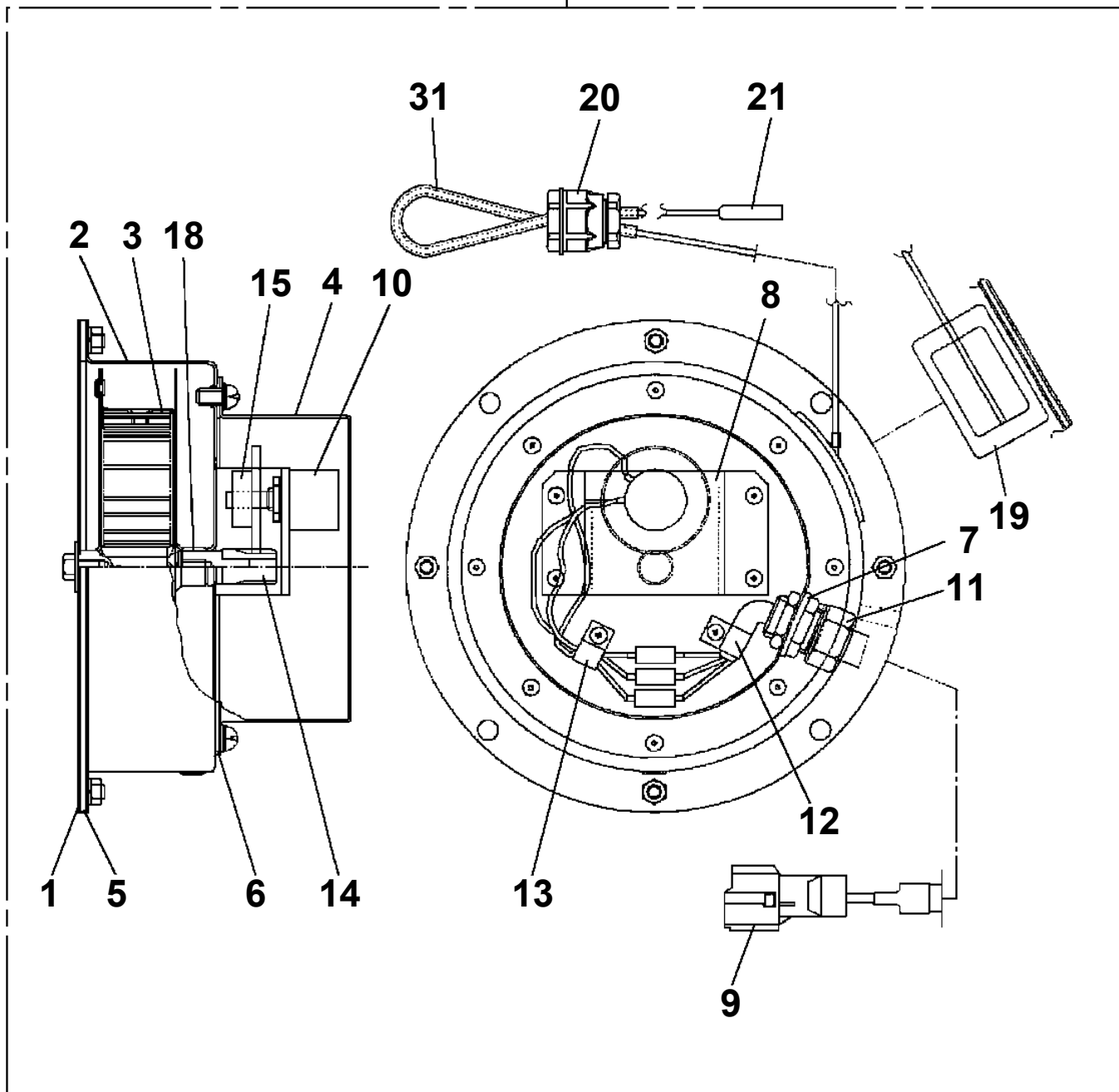
AT-170TG、AT-220TG、AT-120SRの場合

**AT-157-1 43002142515 UPPER,LOWER,ISUZU TPG-NKR85N-EJ5AHY-M**

Pos No.	Parts No	Parts Name	Qty	Unit	Technical Data	Serial No (Start)	S
1	42461162000	FALL ARREST SYSTEM (TB-LSA-550/FUJII-DENKO)	1				

AT-157-1 43002142515 UPPER,LOWER,ISUZU TPG-NKR85N-EJ5AHY-M  
PG1130136-00 DETECTOR,BOOM LENGTH

100



**AT-157-1 43002142515 UPPER,LOWER,ISUZU TPG-NKR85N-EJ5AHY-M**

Pos No.	Parts No	Parts Name	Qty	Unit	Technical Data	Serial No (Start)	Serial No (End)	Remarks	Pages
1	42510150100	GUARD	1						
2	90162160200	U-BOLT	5		M10				
3	37000585940	PLATE	5		T=4.5				
4	90202201000	NUT	10		M10				
5	90240201000	NUT,CAP	10		M10				

# AT-157-1 43002142515 UPPER,LOWER,ISUZU TPG-NKR85N-EJ5AHY-M

Pos No.	Parts No	Parts Name	Qty	Unit	Technical Data	Serial No (Start)	Serial No (End)	Remarks	Pages
100	42900360100	HARNESS	1						

**AT-157-1 43002142515 UPPER,LOWER,ISUZU TPG-NKR85N-EJ5AHY-M**

Pos No.	Parts No	Parts Name	Qty	Unit	Technical Data	Serial No (Start)	Serial No (End)	Remarks
1	82105220112	SWITCH,TOGGLE	1					
100	42477611010	HARNESS (WITH SWITCH)	1					

# AT-157-1 43002142515 UPPER,LOWER,ISUZU TPG-NKR85N-EJ5AHY-M

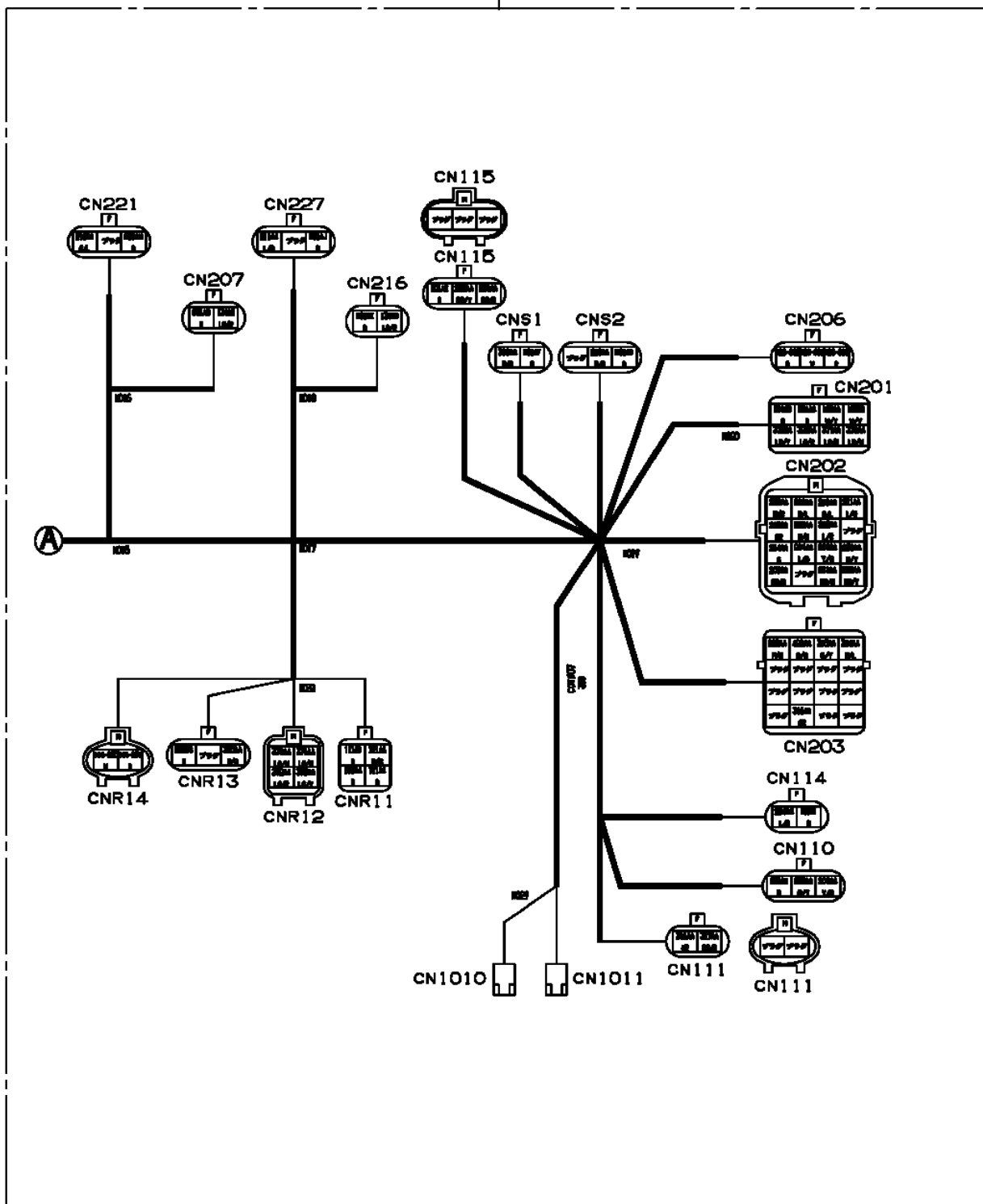
Pos No.	Parts No	Parts Name	Qty	Unit	Technical Data	Serial No (Start)	Serial No (End)	Remarks	Pages
100	42937120300	HARNESS	1						

**AT-157-1 43002142515 UPPER,LOWER,ISUZU TPG-NKR85N-EJ5AHY-M**

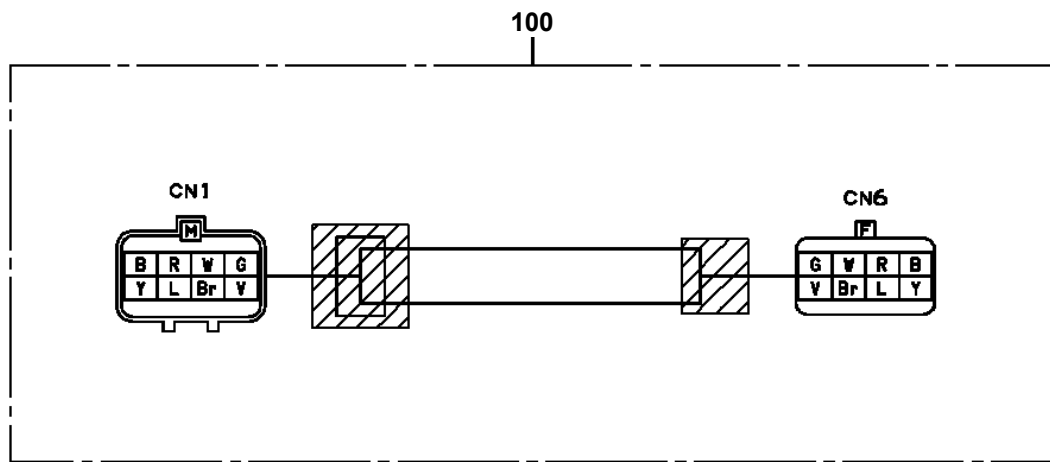
Pos No.	Parts No	Parts Name	Qty	Unit	Technical Data	Serial No (Start)	Serial No (End)	Remarks	Pages
14	82182819823	DIODE	1		1.5A				
100	42511280030	HARNESS	1						

AT-157-1 43002142515 UPPER,LOWER,ISUZU TPG-NKR85N-EJ5AHY-M  
PH5033943-00 HARNESS (MAIN)

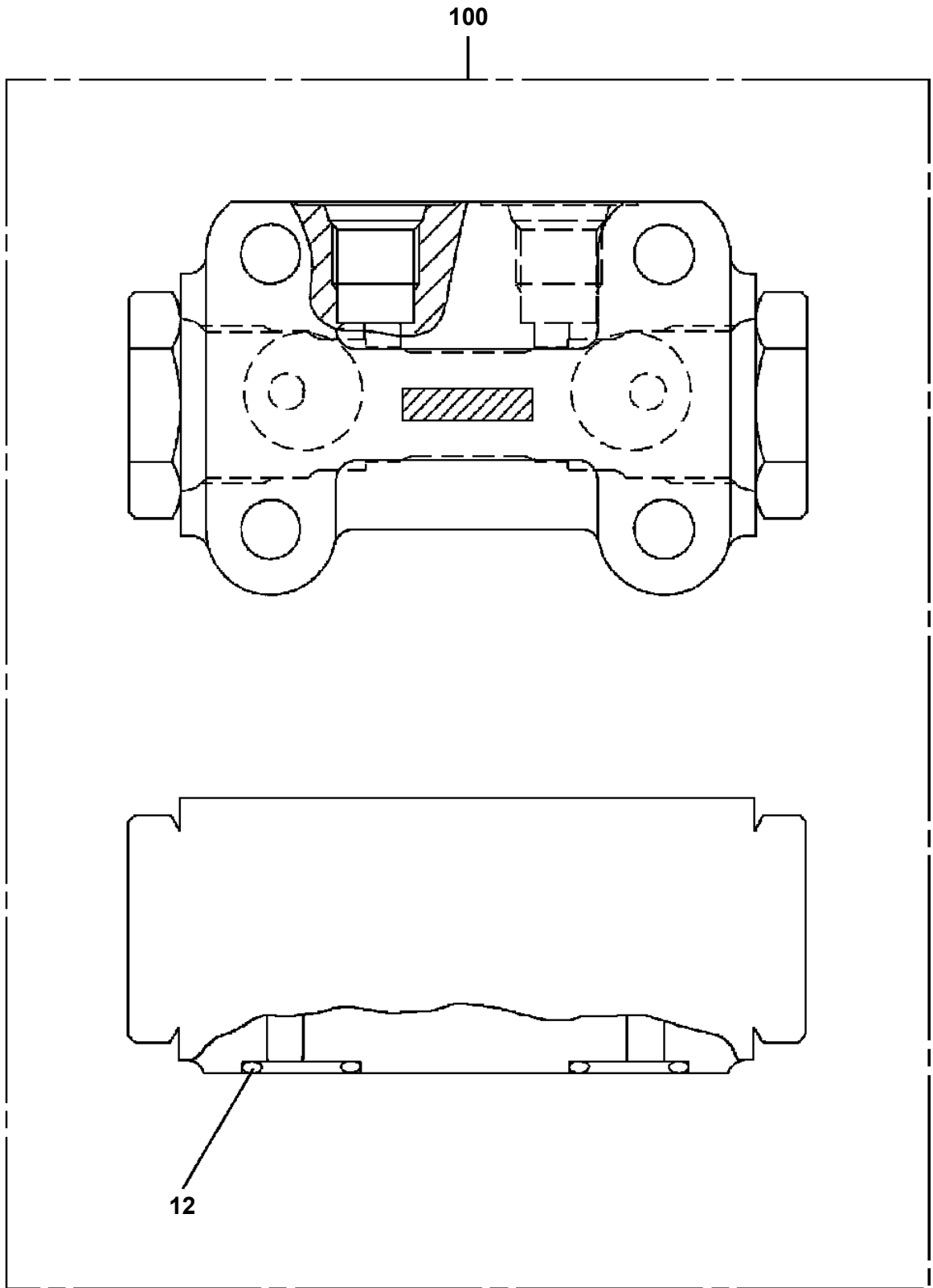
100



AT-157-1 43002142515 UPPER,LOWER,ISUZU TPG-NKR85N-EJ5AHY-M  
PH5034553-00 HARNESS



AT-157-1 43002142515 UPPER,LOWER,ISUZU TPG-NKR85N-EJ5AHY-M  
PI1140227-00 VALVE,CHECK



CLICK HERE TO **DOWNLOAD** THE COMPLETE MANUAL

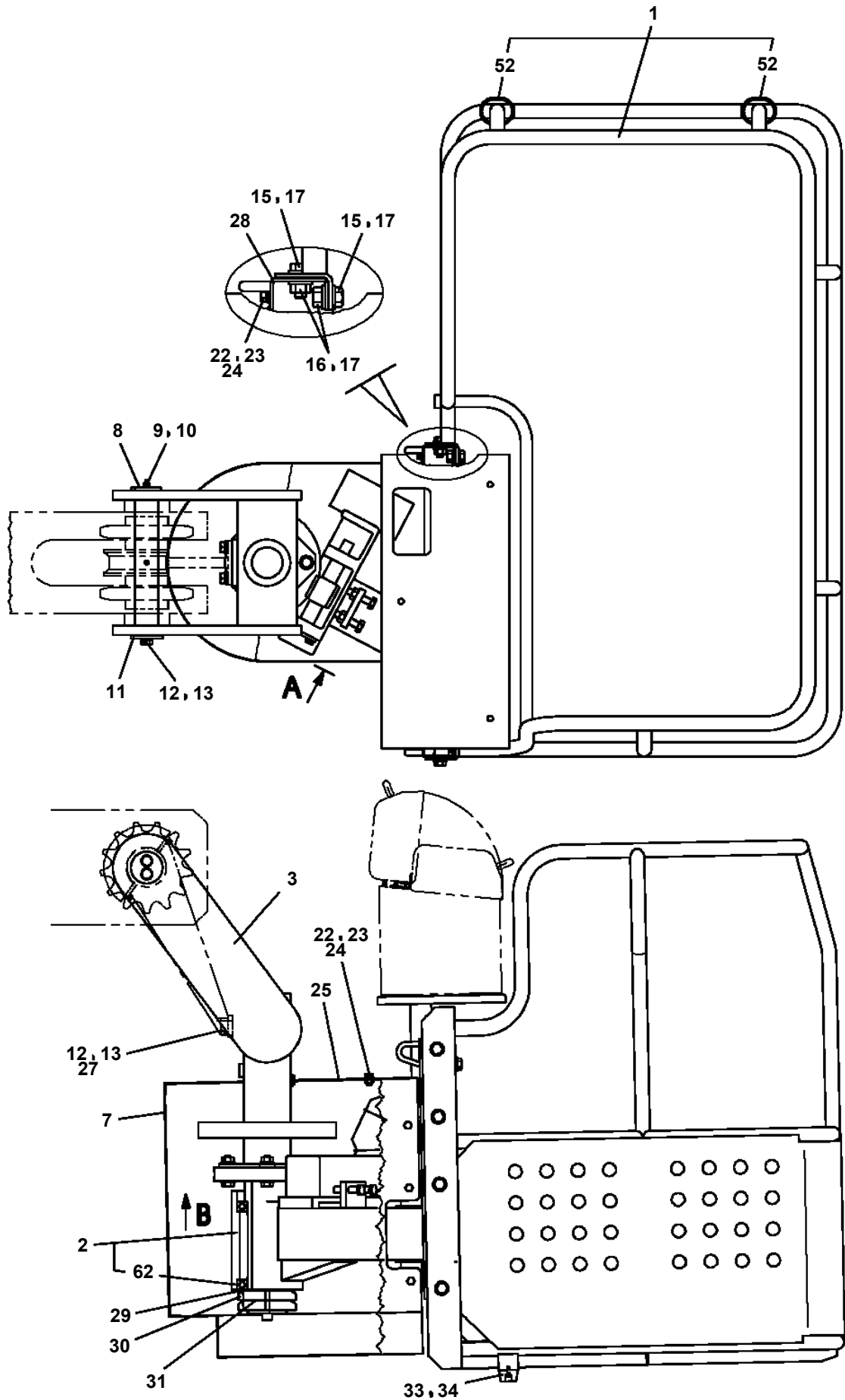
- Thank you very much for reading the preview of the manual.
- You can download the complete manual from: [www.heydownloads.com](http://www.heydownloads.com) by clicking the link below



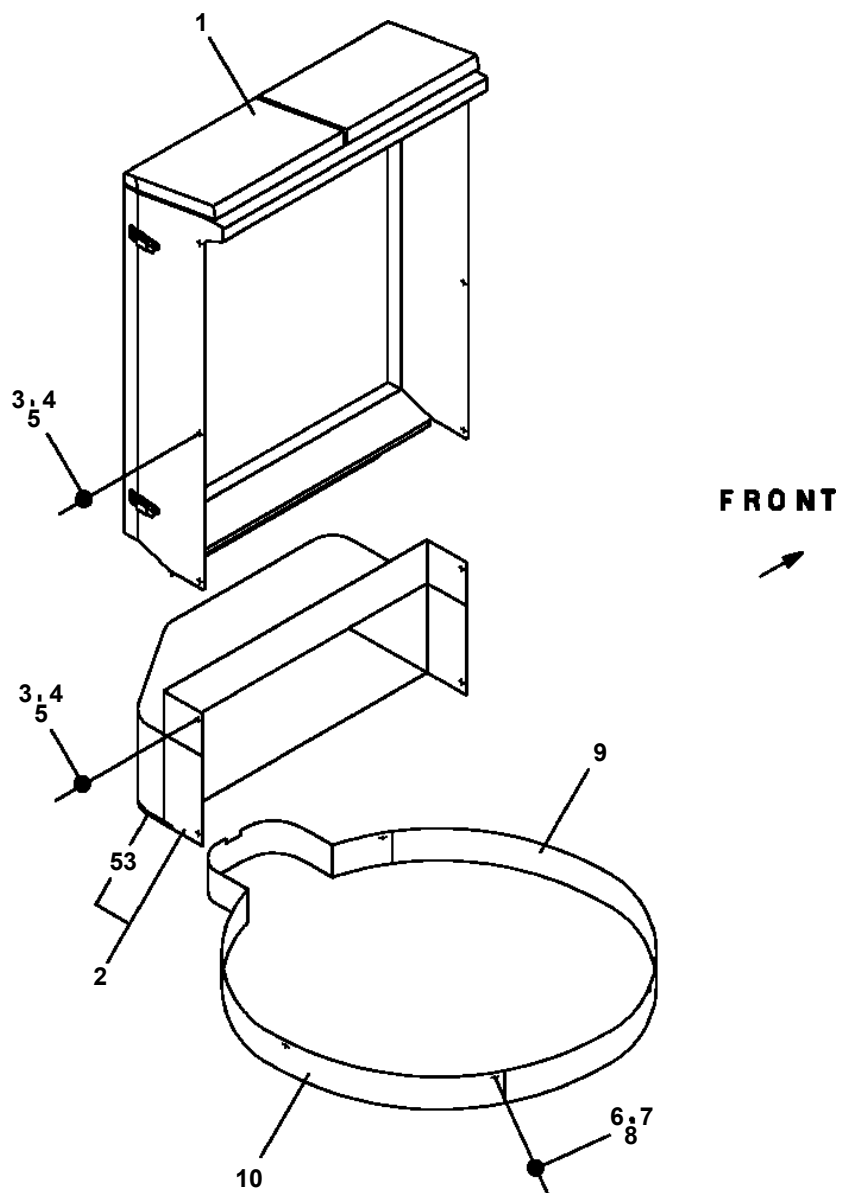
- Please note: If there is no response to CLICKING the link, please download this PDF first and then click on it.

CLICK HERE TO **DOWNLOAD** THE COMPLETE MANUAL

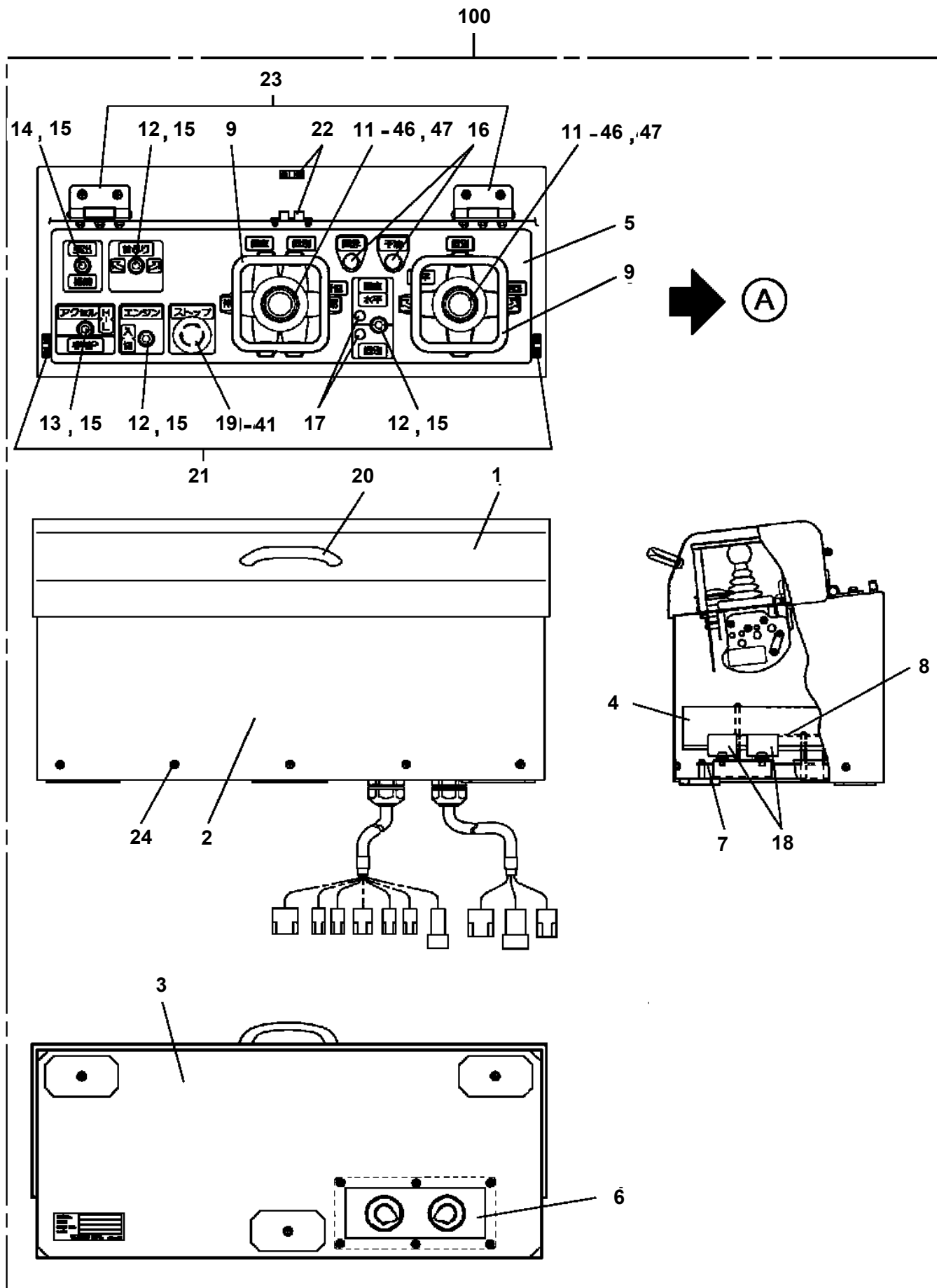
AT-157-1 43002142515 UPPER,LOWER,ISUZU TPG-NKR85N-EJ5AHY-M  
PJ3010173-05 BASKET



AT-157-1 43002142515 UPPER,LOWER,ISUZU TPG-NKR85N-EJ5AHY-M  
PK1200397-02 COVER,SWING FRAME



AT-157-1 43002142515 UPPER,LOWER,ISUZU TPG-NKR85N-EJ5AHY-M  
 PL1100223-03 BOX,OPERATION (WITH DATA)



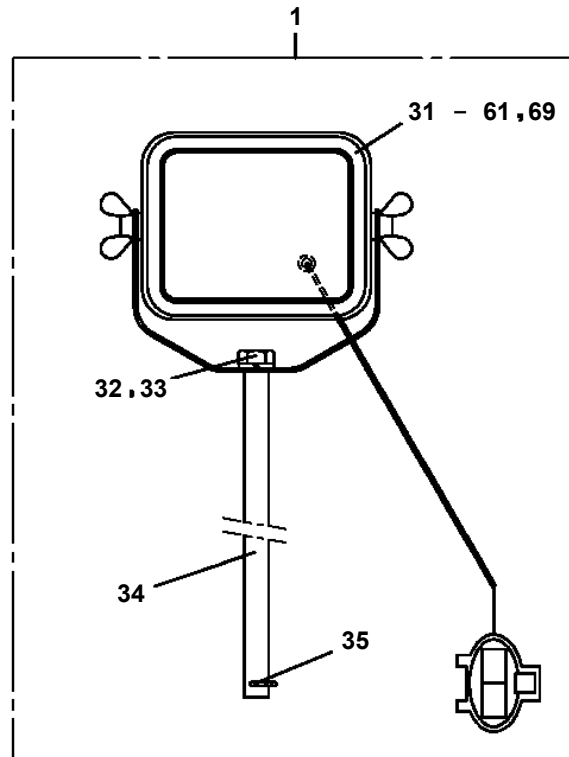
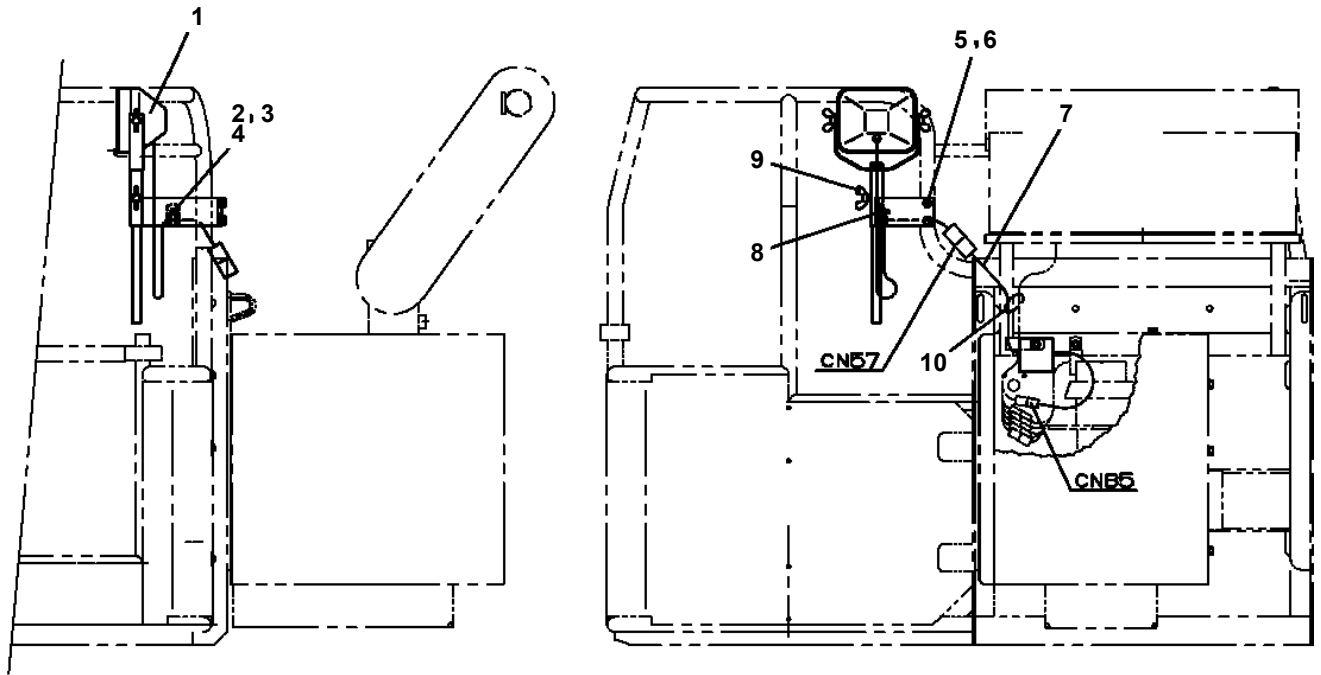
# AT-157-1 43002142515 UPPER,LOWER,ISUZU TPG-NKR85N-EJ5AHY-M

Pos No.	Parts No	Parts Name	Qty	Unit	Technical Data	Serial No (Start)	Serial No (End)	Remarks
2	82100002006	CLAMP	1		WR10			
3	90201200600	NUT	1		M6			
4	90302040601	WASHER,SPRING	1		6			
5	90101208016	BOLT	2		M8X16			
6	90302040801	WASHER,SPRING	2		8			
7	42477650010	HARNESS	1					
8	42512131100	SUPPORT	1					
9	90813108020	BOLT,WING	1		M8X20			
10	91810130240	FASTENER	10					
11	42507740100	HARNESS	1					
21	42510232000	LAMP ASSY (SQUARE TYPE)	1					

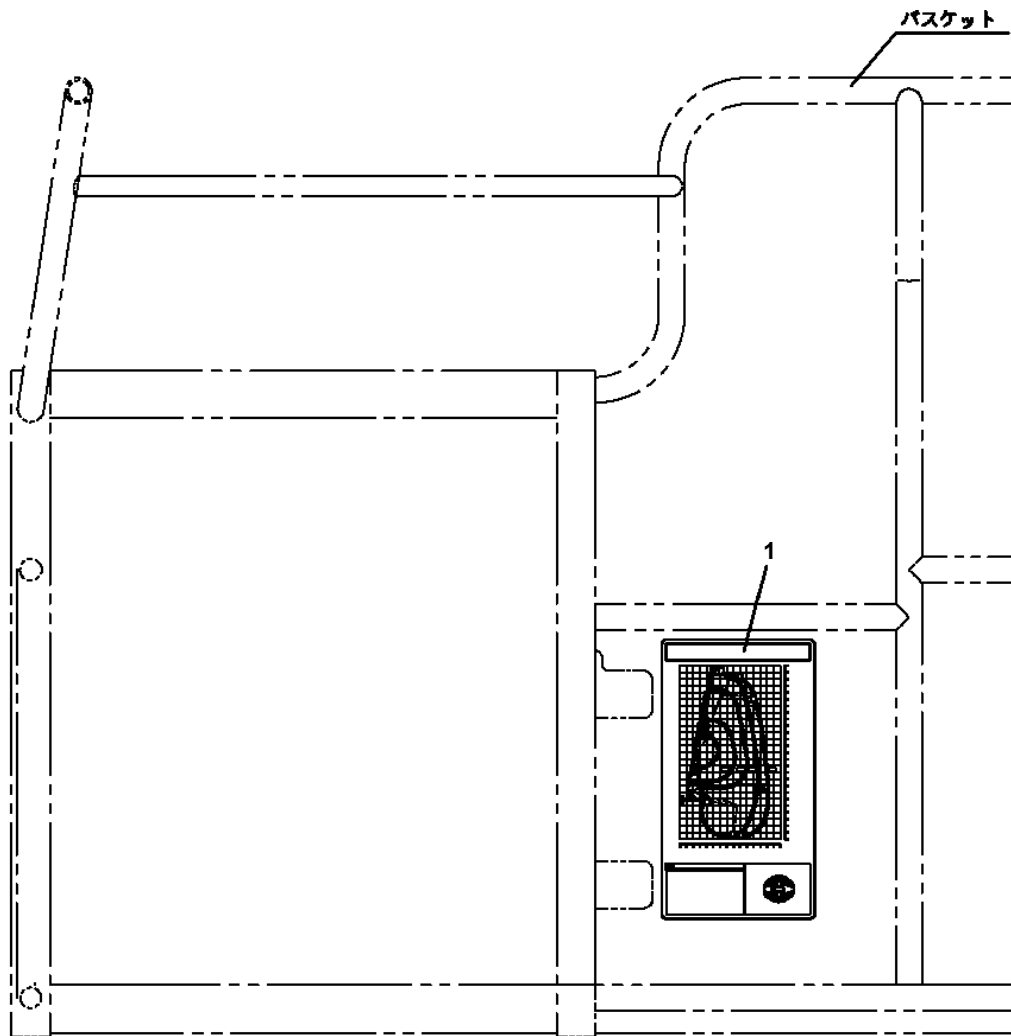
# AT-157-1 43002142515 UPPER,LOWER,ISUZU TPG-NKR85N-EJ5AHY-M

Pos No.	Parts No	Parts Name	Qty	Unit	Technical Data	Serial No (Start)	Serial No (End)	Remarks
1	36663955100	SHAFT	1					
2	80500006206	BEARING,BALL	1					
4	91001206500	O-RING	1		1A G65			
5	36660025021	COVER (OIL SEAL)	1					
6	36660025140	SEAL,OIL	1					
7	36663485110	RING,RETAINING	1		R72			
8	36663955020	PLATE,THRUST	1					
9	36663955030	BARREL ASSY (CYLINDER)	1					
10	36663955040	PLATE (VALVE)	1					
11	36661925030	COVER (BOTTOM)	1					
12	80500006203	BEARING,BALL	1					
13	36662355110	PIN	2					
14	36663955050	O-RING	1					
15	36663955060	BOLT	6		M10X35			
16	14125151020	KEY	1					
17	36660125060	PLUG	2		PF3/8			
18	36081315130	PROTECTOR (THREAD)	2					
44	36660025100	SPRING (PLUNGER)	5					
45	14125151300	RING,RETAINING	1					
46	12645103171	SPRING (CENTER)	1					
100	36664070000	MOTOR,OIL	1					

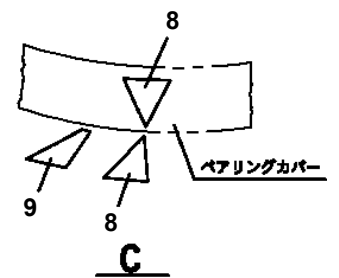
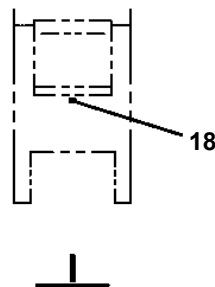
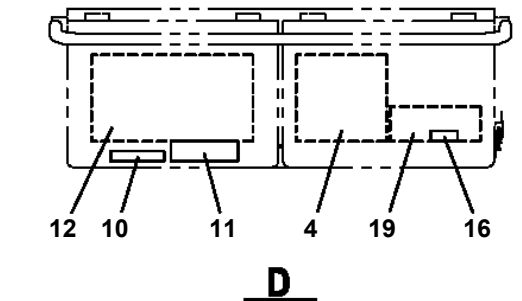
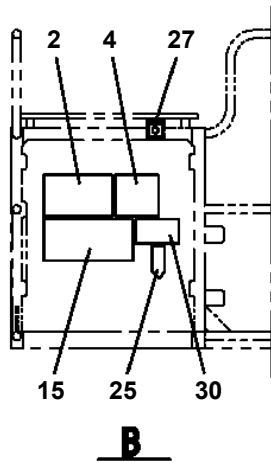
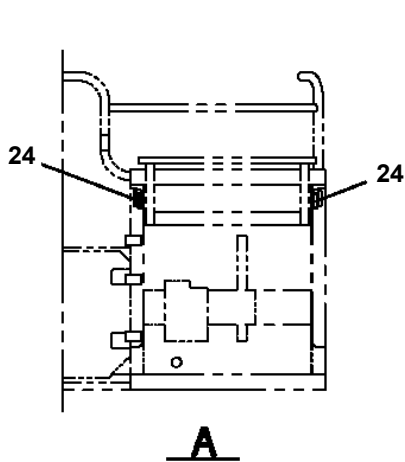
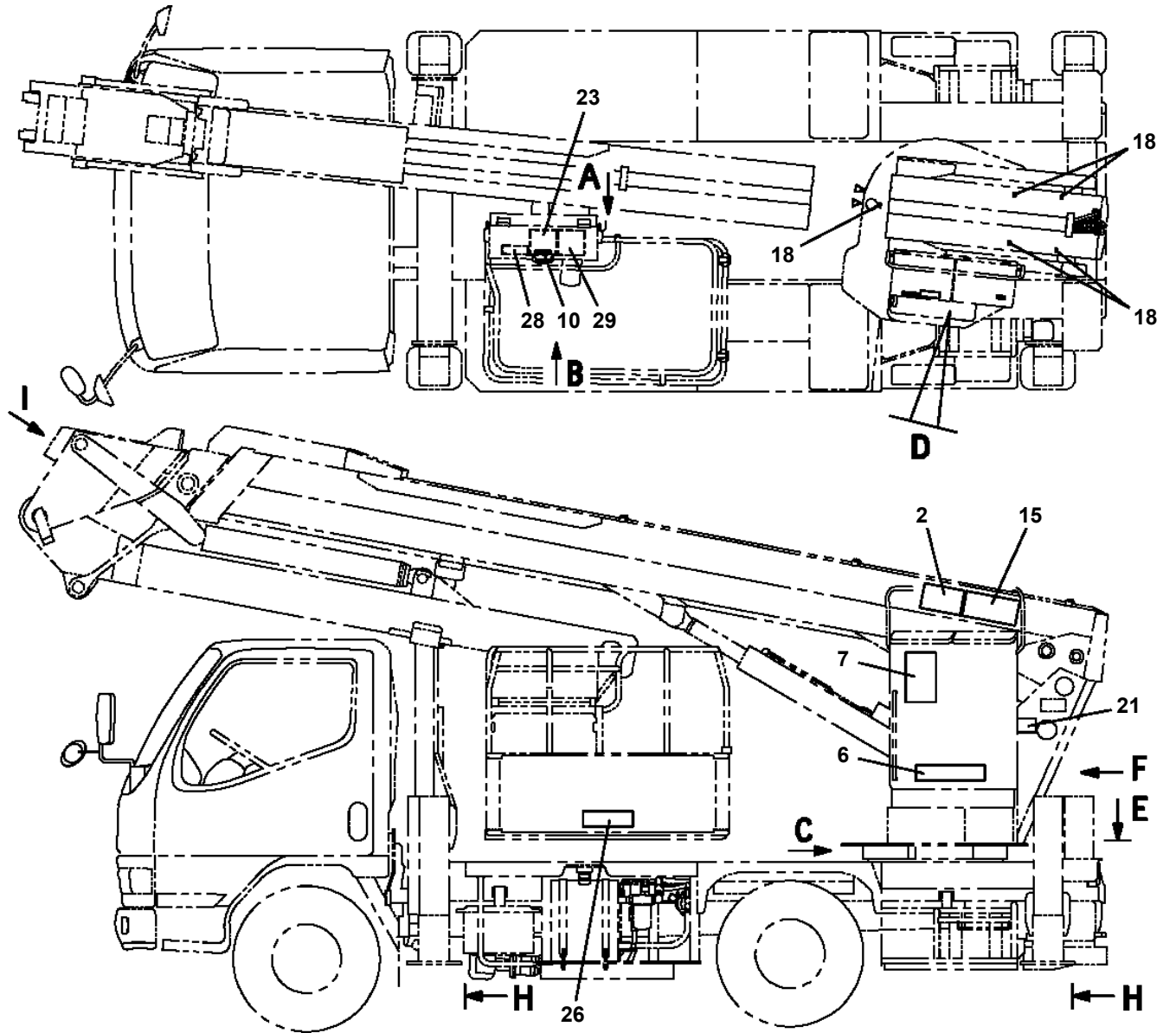
AT-157-1 43002142515 UPPER,LOWER,ISUZU TPG-NKR85N-EJ5AHY-M  
PN1080117-02 LAMP (BASKET)



AT-157-1 43002142515 UPPER,LOWER,ISUZU TPG-NKR85N-EJ5AHY-M  
PN5011248-00 NAME PLATE ASSY (BASKET:WORKING RANGE CHART)



AT-157-1 43002142515 UPPER,LOWER,ISUZU TPG-NKR85N-EJ5AHY-M  
 PN5012110-01 NAME PLATE ASSY (VEHICLE)

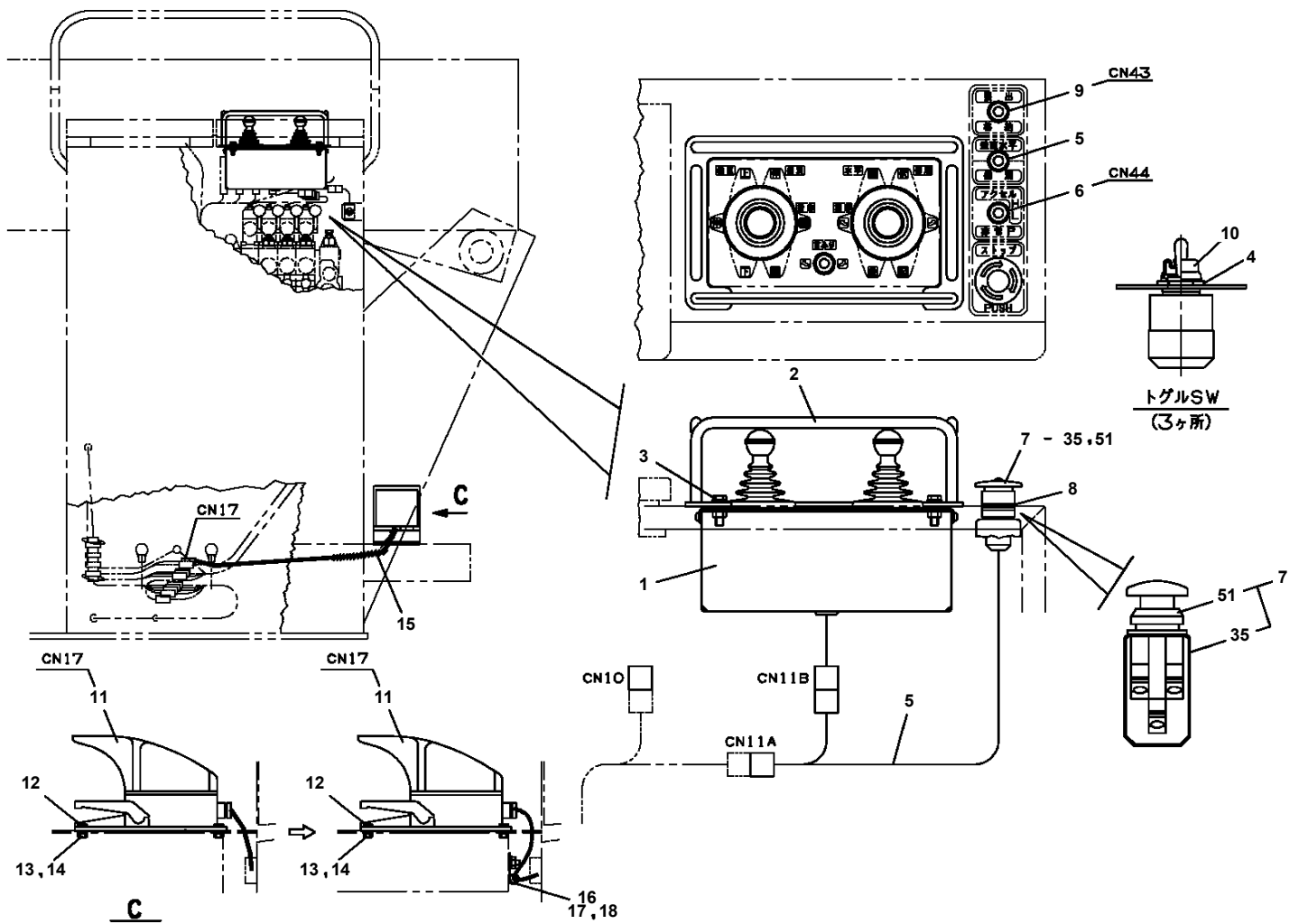


**AT-157-1 43002142515 UPPER,LOWER,ISUZU TPG-NKR85N-EJ5AHY-M  
PO1000182-00 INDICATION PLATES (UPPER)**

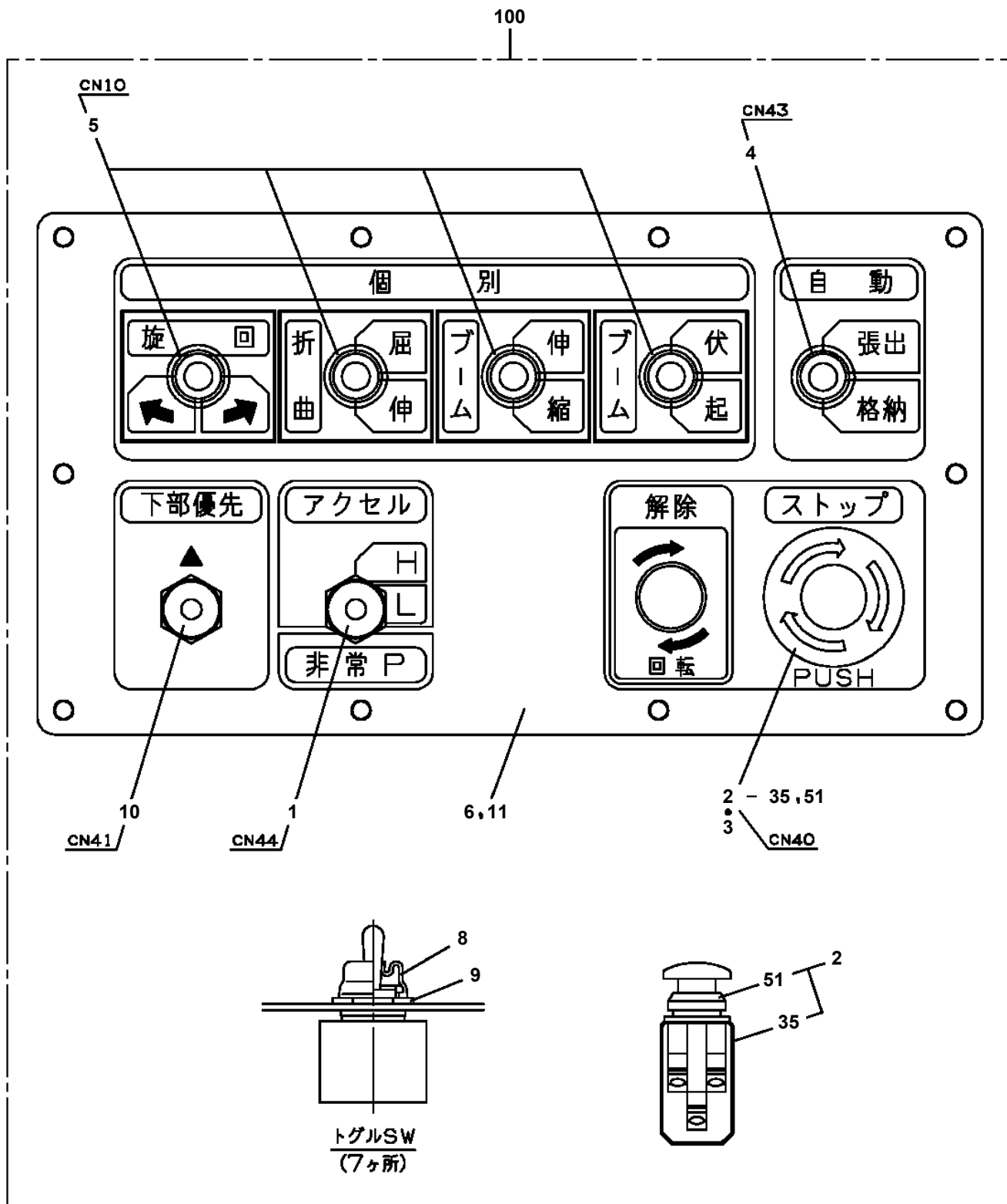
メイパ ン (シ ョウブ )  
INDICATION PLATES (UPPER)

〔組立名称一覧〕より選択してください。  
SEE THE CORRESPONDING "ASSEMBLY NAME" LIST.

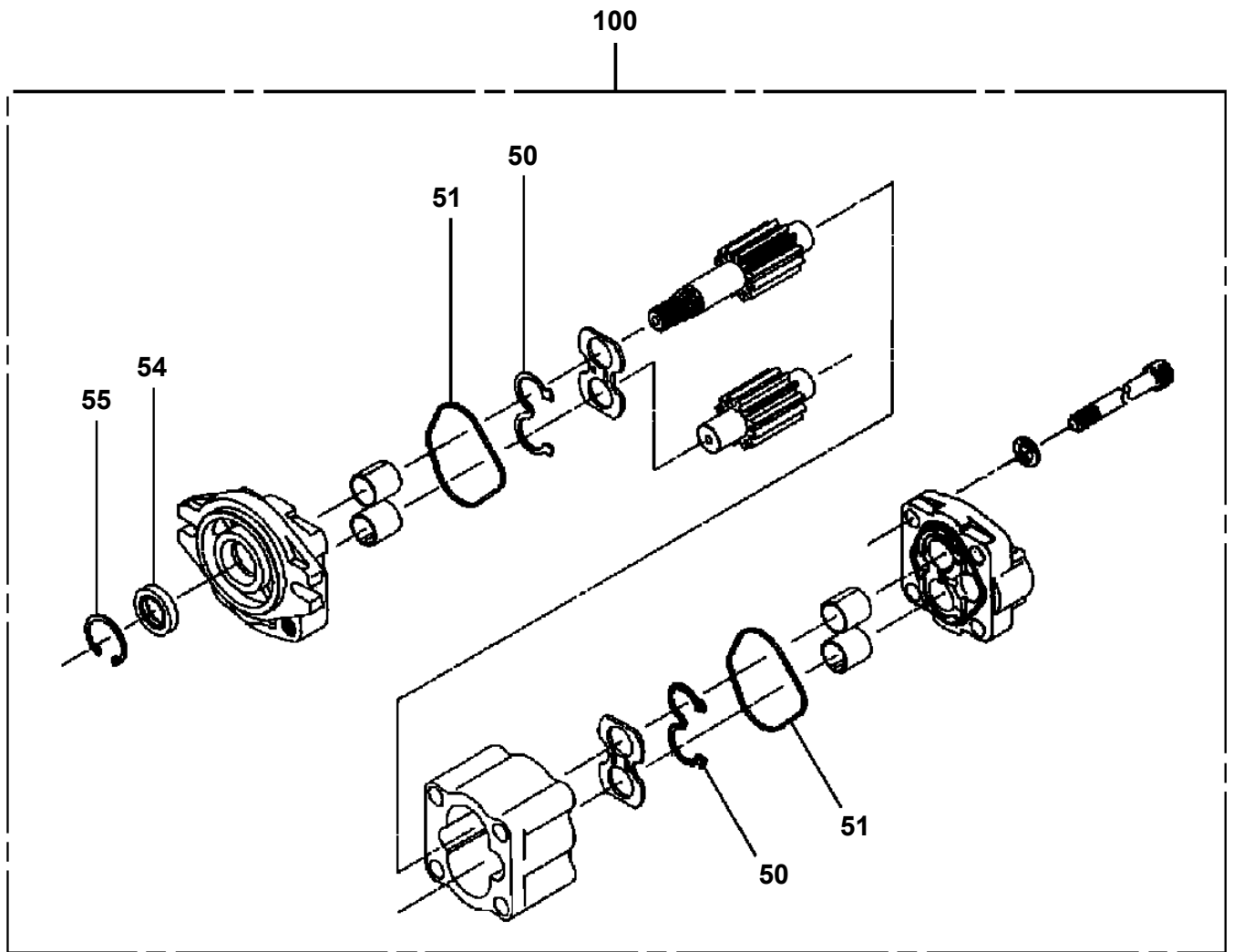
AT-157-1 43002142515 UPPER,LOWER,ISUZU TPG-NKR85N-EJ5AHY-M  
 PO5010059-01 OPE.ASSY



AT-157-1 43002142515 UPPER,LOWER,ISUZU TPG-NKR85N-EJ5AHY-M  
PP5010044-00 PANEL ASSY



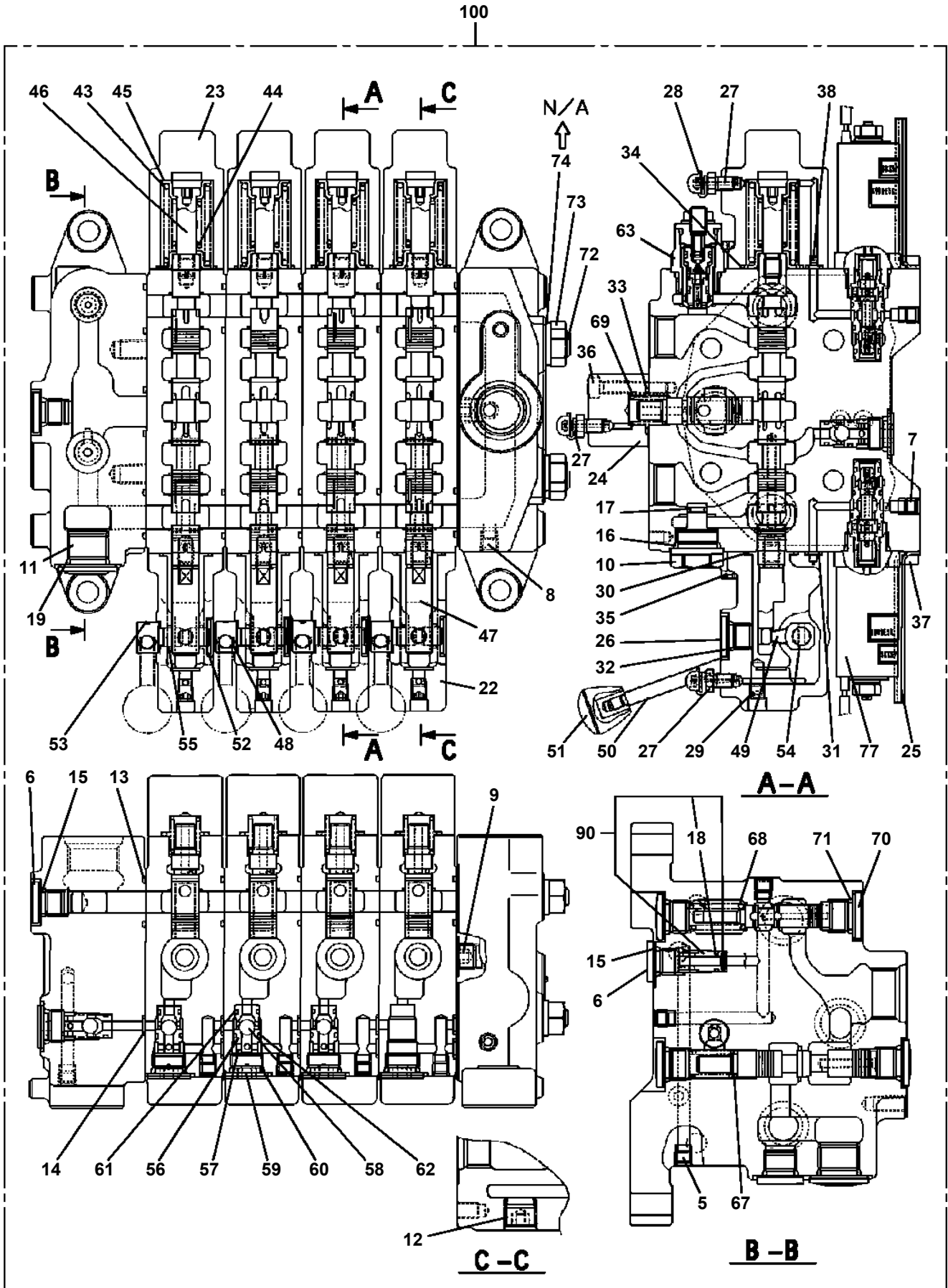
AT-157-1 43002142515 UPPER,LOWER,ISUZU TPG-NKR85N-EJ5AHY-M  
PP5500003-00 PUMP,OIL (32CC:L)



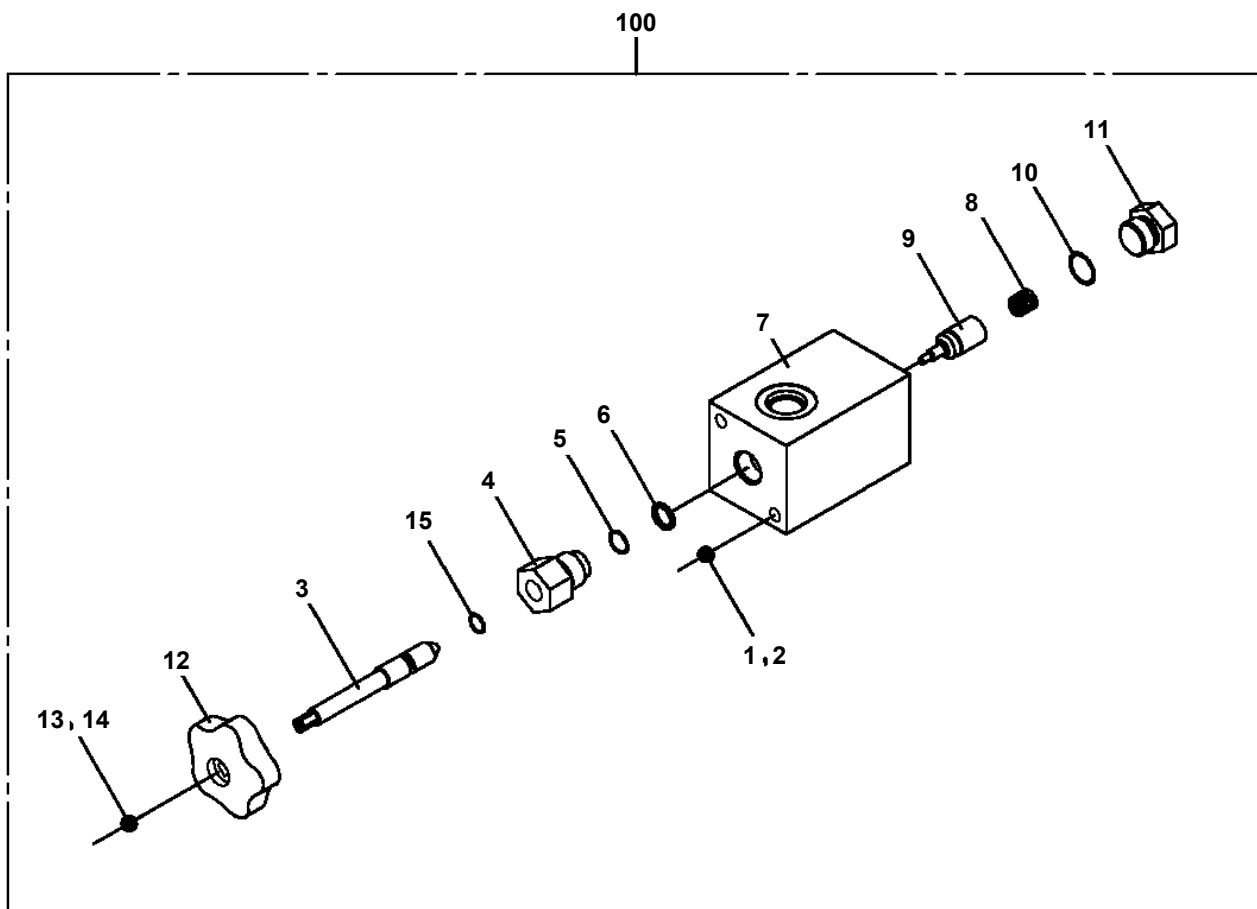
# AT-157-1 43002142515 UPPER,LOWER,ISUZU TPG-NKR85N-EJ5AHY-M

Pos No.	Parts No	Parts Name	Qty	Unit	Technical Data	Serial No (Start)	Serial No (End)	Remarks
4	90101210040	BOLT	4		M10X40			
5	90302041001	WASHER,SPRING	6		10			
6	90172108060	BOLT,HEXAGON SOCKET	2		M8X60			
7	90302040801	WASHER,SPRING	5		8			
8	82100001805	TUBE,CORRUGATE	N		19			
9	80481103030	JOINT	1		L,G3/8-G3/8			
10	37002468750	HOSE	1		L=2060			
11	37002451490	HOSE	1		L=2000			
12	37002408040	HOSE	1		L=560			
13	90101210065	BOLT	2		M10X65			
14	80441030604	FITTING,ELBOW	1					
15	37000908730	JOINT (WITH O-RING)	3		L,G3/8-G1/4			
16	37002467500	HOSE	1		L=550			
17	37002446530	HOSE	1		L=460			
18	37002467470	HOSE	1		L=1500 TO 620			
19	80491302020	JOINT (WITH O-RING)	1					
20	37002467430	HOSE	1		L=1600			
21	37002467440	HOSE	2		L=1600			
22	90180208085	BOLT,BUTTON	2		M8X85			
23	37002414400	HOSE	1		L=530			
24	37002468660	HOSE	2		L=610			
25	37012405820	HOSE	1		L=540		376090	
27	91810132530	FASTENER	15					
28	37002467450	HOSE	1		L=1600			
29	37000714020	CLAMP ASSY	2		12X2			
30	31630482500	CAP	1					
31	80400160128	JOINT	1		S,G3/8-G1/4			
34	91002801400	O-RING	2		1B P14			
36	82100001411	TUBE,SPIRAL	1	M	SE-08BK			
37	37002474250	HOSE	1		L=1060			
38	37002467780	HOSE	1		L=630		376090	
	37002467780	HOSE	2		L=630	376091		
39	37002411660	HOSE	1		L=630			
40	37000917220	FITTING	1		PF3/8XPF3/8			
41	37001600820	NUT	1		PF3/8			
42	42344760500	GUARD	1					
43	37002436630	HOSE	1		L=320			
45	82100001819	TUBE,SPIRAL	2	M	SE-18BK			
46	37002472220	HOSE	1		L=1830			
48	82100002039	CLAMP	1					
49	90201200800	NUT	1		M8			
50	37002451750	HOSE	1		L=850			
51	37002443240	HOSE	1		L=920			
52	37002473710	HOSE	1		L=1760			
71	36649470000	VALVE,REMOTE CONTROL	1					
72	80400160130	JOINT	2		S,G1/2-G3/8			
73	80400160176	JOINT	2		S,G1/2-1/4			
74	91002801800	O-RING	12		1B P18			
75	37000927640	JOINT	2					
76	37000927650	JOINT	2					
78	37000925660	JOINT	2		S,G3/4-G1/2			
79	91002802400	O-RING	2		1B P24			
80	37000908720	JOINT (WITH O-RING)	1		PF1/2-PF3/8			
81	80430620800	JOINT	1					
91	36636340001	VALVE ASSY,SELECTOR	2					
92	80400160127	JOINT	6					
93	91002801100	O-RING	16		1B P11			
94	80400160129	JOINT	2					
95	91002801400	O-RING	9		1B P14			
96	80430620600	JOINT (WITH O-RING)	2		L,G3/8-G3/8			
97	80430620400	JOINT	3					
111	36606990000	VALVE ASSY,RELIEF	1					
114	36672530000	FILTER (WITH O-RING)	2					

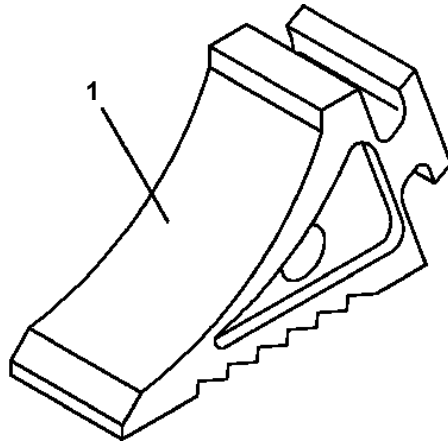
**AT-157-1 43002142515 UPPER,LOWER,ISUZU TPG-NKR85N-EJ5AHY-M  
PV1020268-02 VALVE,REMOTE CONTROL**



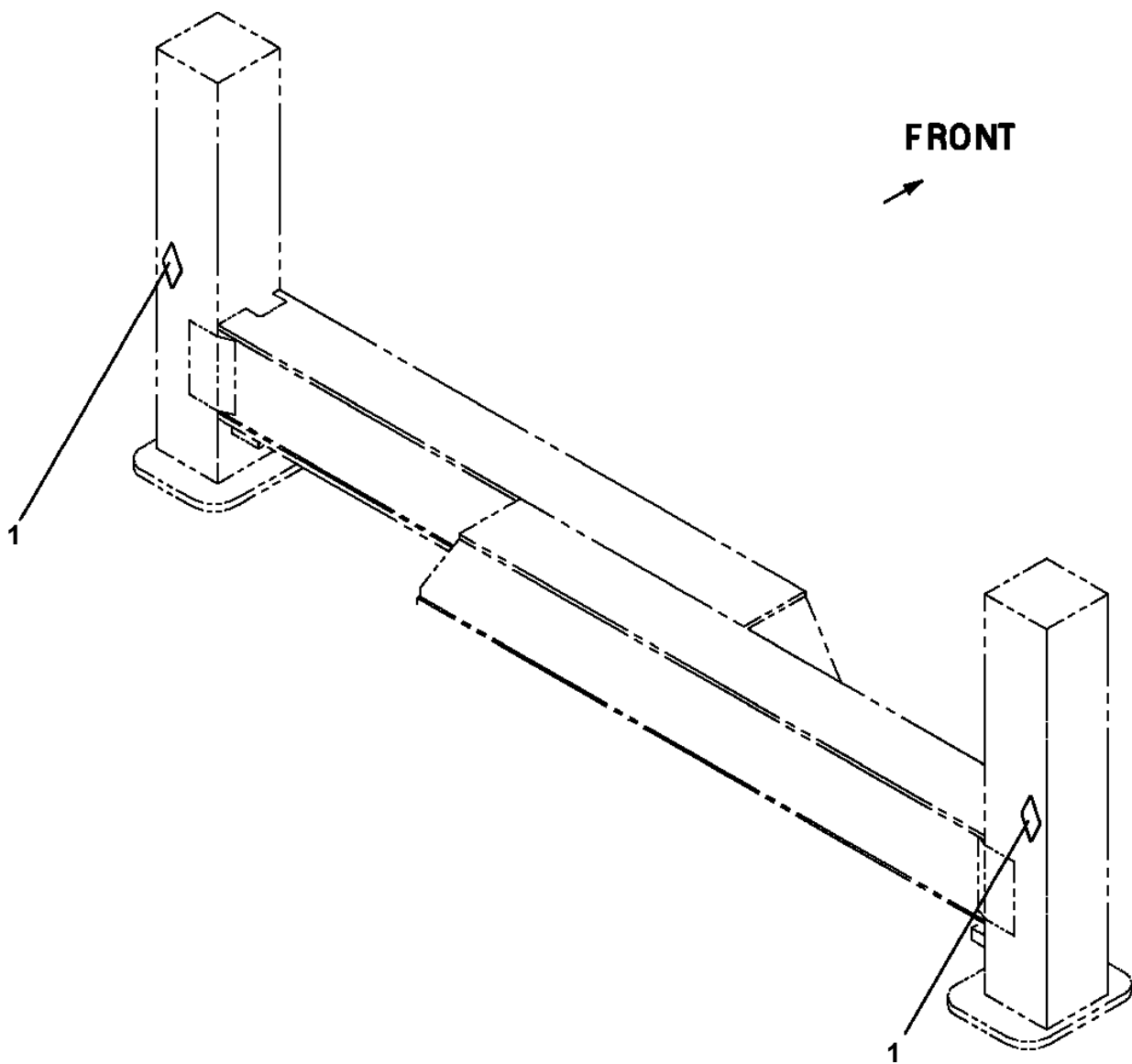
AT-157-1 43002142515 UPPER,LOWER,ISUZU TPG-NKR85N-EJ5AHY-M  
PV5170018-00 VALVE ASSY,SELECTOR



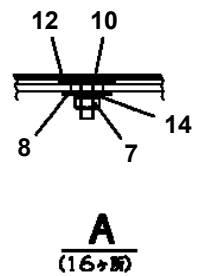
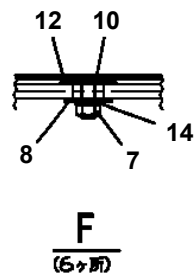
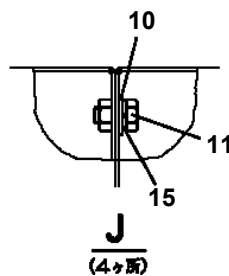
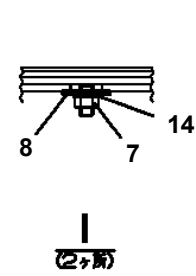
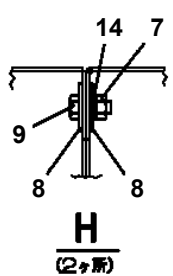
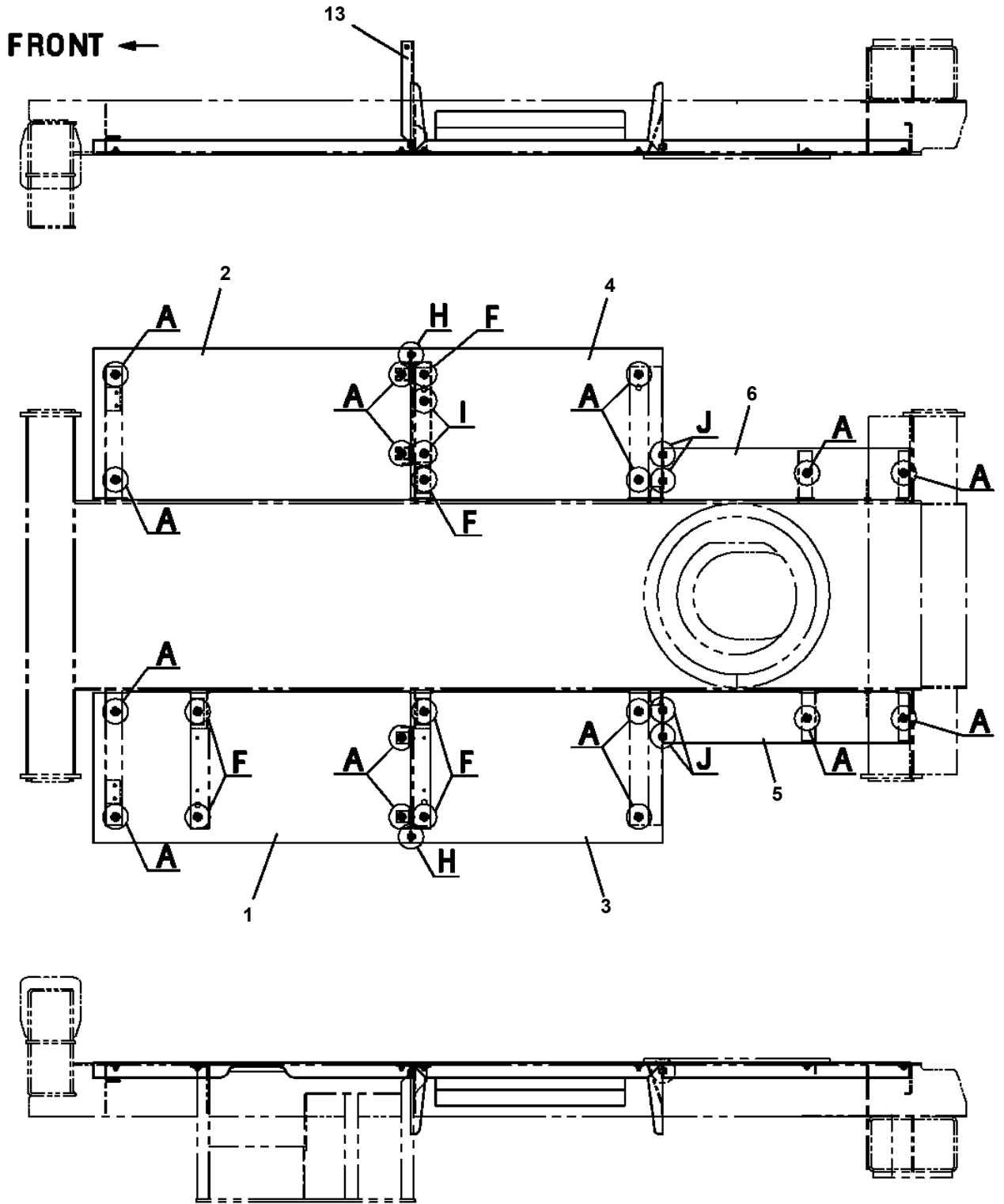
**AT-157-1 43002142515 UPPER,LOWER,ISUZU TPG-NKR85N-EJ5AHY-M  
PW1050018-01 WEDGE (STOPPER FOR TIRE/JUSTIN)**



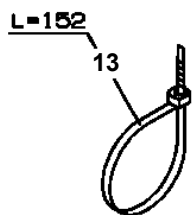
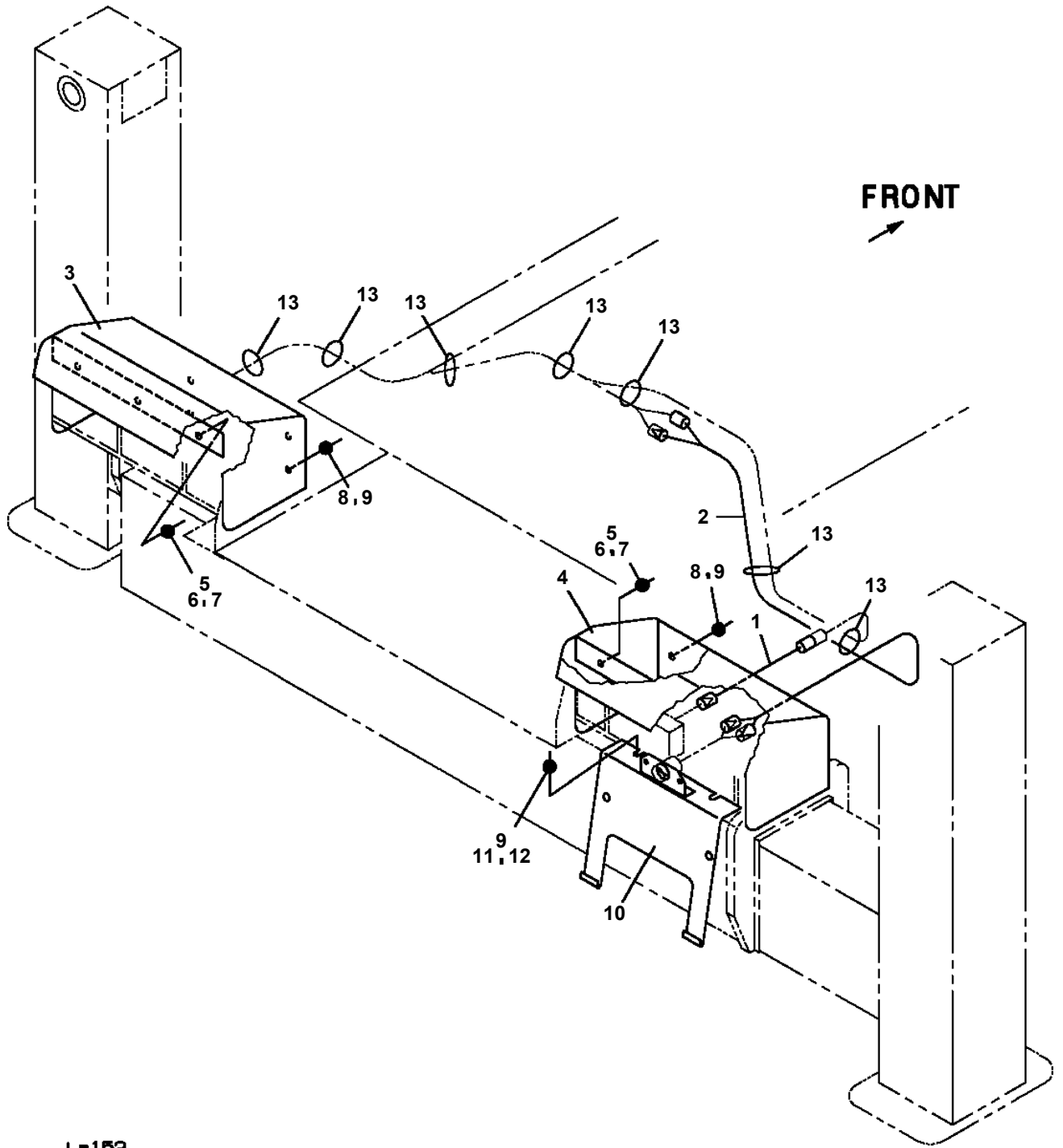
AT-157-1 43002142515 UPPER,LOWER,ISUZU TPG-NKR85N-EJ5AHY-M  
PX1360080-00 REFLECTOR (REAR)



AT-157-1 43002142515 UPPER,LOWER,ISUZU TPG-NKR85N-EJ5AHY-M  
 PX5280020-00 MOUNT ASSY,DECK (FENDER)



AT-157-1 43002142515 UPPER,LOWER,ISUZU TPG-NKR85N-EJ5AHY-M  
PX5740013-00 MOUNT ASSY,TAIL LAMP



# AT-157-1 43002142515 UPPER,LOWER,ISUZU TPG-NKR85N-EJ5AHY-M

Pos No.	Parts No	Parts Name	Qty	Unit	Technical Data	Serial No (Sta
1	(*****)	OPE.ASSY (PROPORTIONAL CONTROLS/SWING TABLE)	1			
2	(*****)	COVER,CYLINDER	1			
3	(*****)	LAMP (BASKET)	1			
4	(*****)	SAFETY ASSY (BASKET TOUCH SWITCH/WIRE)	1			
6	(*****)	OPE.ASSY,CONT.VALVE	1			
7	(*****)	LAMP ASSY (MARKER LAMP/YELLOW)	1			
8	(*****)	MOUNT ASSY,VOICE ALARM	1			
9	(*****)	LAMP (BOOM REST)	1			
10	(*****)	LAMP ASSY (OUTRIGGER CONTROLS)	1			
11	(*****)	PARTS ASSY,ELECTRICITY (100V POWER TAKEOUT)	1			
12	(*****)	GUARD ASSY (STD BASUKET HANDRAIL)	1			
13	(*****)	NAME PLATE ASSY (BUSKET:WORKING RANGE CHART)	1			
14	(*****)	NAME PLATE ASSY (BUSKET:WORKING RANGE CHART)	1			
15	(*****)	MODIFICATION ASSY (YELLOW MARKER LAMP/LED)	1			
16	(*****)	NAME PLATE ASSY (NON-SLIP/YELLOW)	1			
17	(*****)	LAMP ASSY (BUSKET/LED)	1			
41	(*****)	SAFETY ASSY (BASKET TOUCH SWITCH/WIRE)	2			
42	(*****)	LAMP ASSY (BASKET/SAFETY ASSY MOUNTED ONLY)	1			
43	(*****)	LAMP ASSY (BASKET/SAFETY ASSY MOUNTED ONLY,LED)	1			

CLICK HERE TO **DOWNLOAD** THE COMPLETE MANUAL

- Thank you very much for reading the preview of the manual.
- You can download the complete manual from: [www.heydownloads.com](http://www.heydownloads.com) by clicking the link below



- Please note: If there is no response to CLICKING the link, please download this PDF first and then click on it.

CLICK HERE TO **DOWNLOAD** THE COMPLETE MANUAL