

AT-147-3 43010132300 LOWER,HINO TKG-XZU600F-TKFSC6

PO1000171-00 INDICATION PLATES

PX2001631-00 CARRIER UNIT

PX3000842-00 MOUNTING UNIT

ASSEMBLY

CLICK HERE TO **DOWNLOAD** THE COMPLETE MANUAL

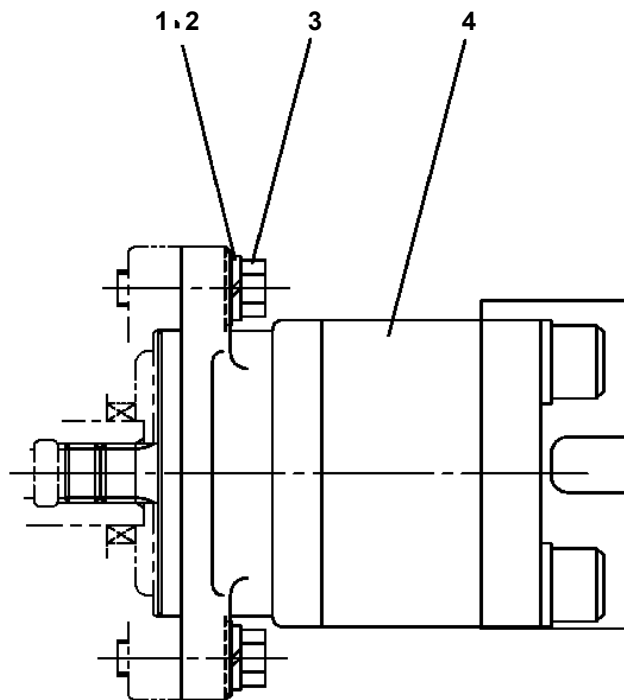
- Thank you very much for reading the preview of the manual.
- You can download the complete manual from: www.heydownloads.com by clicking the link below



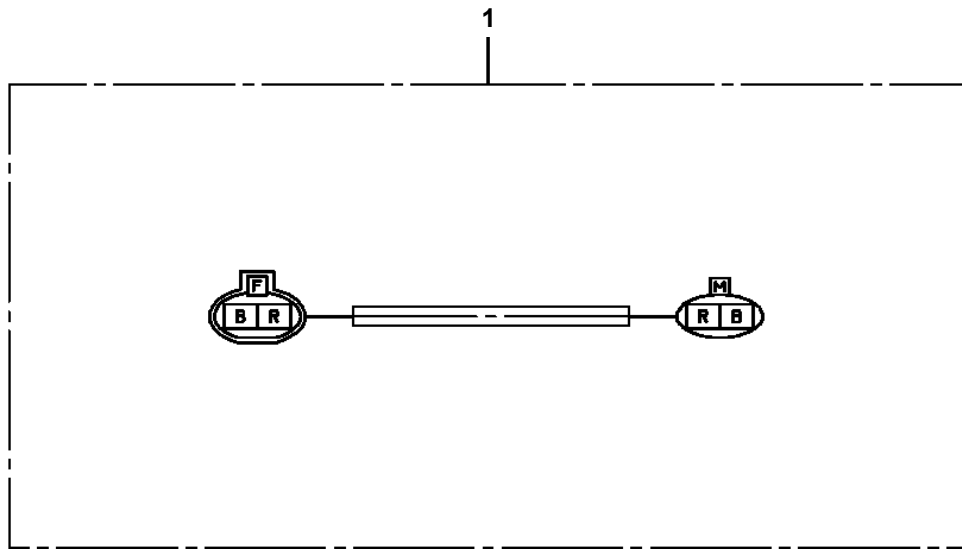
- Please note: If there is no response to CLICKING the link, please download this PDF first and then click on it.

CLICK HERE TO **DOWNLOAD** THE COMPLETE MANUAL

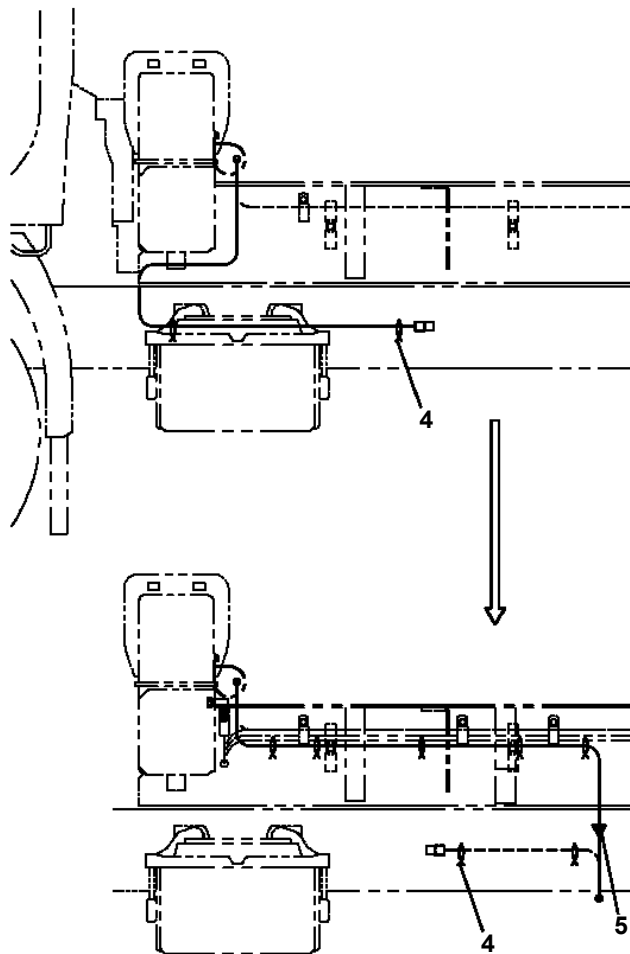
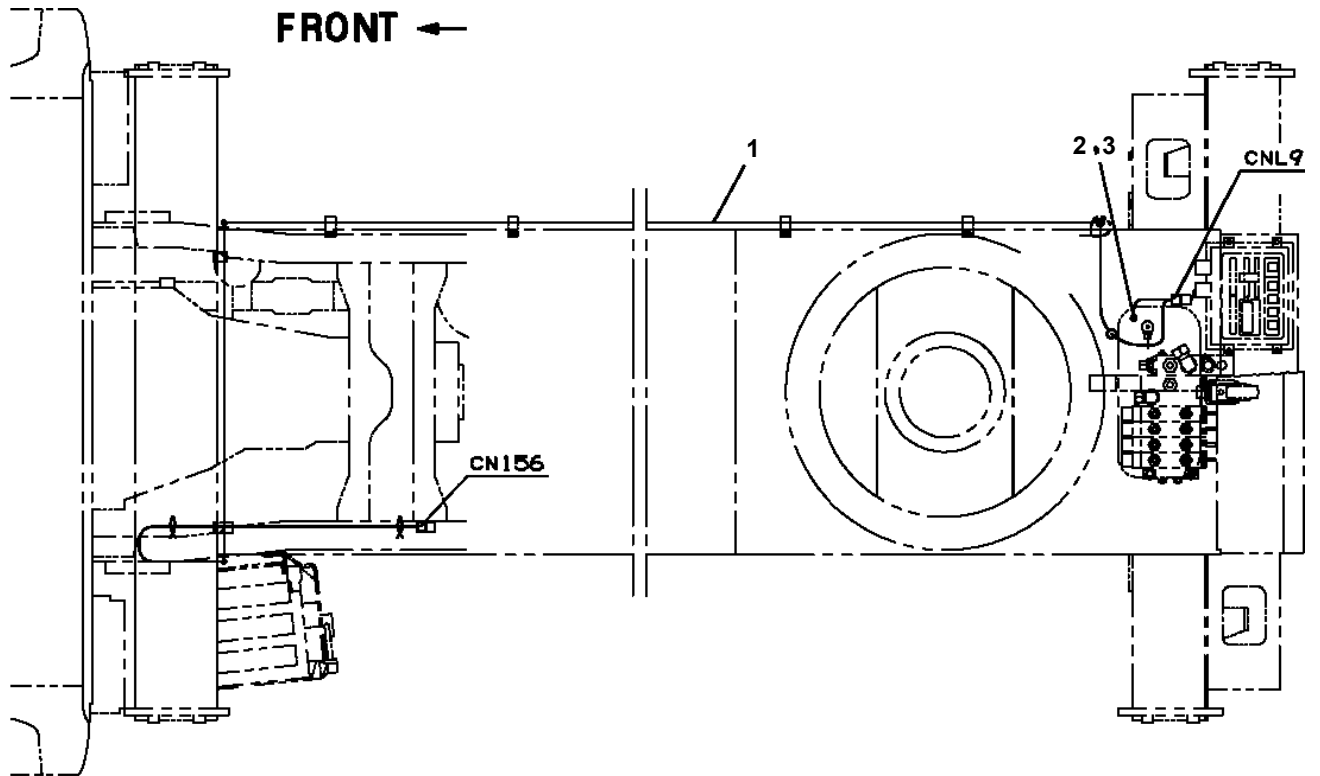
**AT-147-3 43010132300 LOWER,HINO TKG-XZU600F-TKFSC6
PB1110007-01 PUMP INSTALLATION**



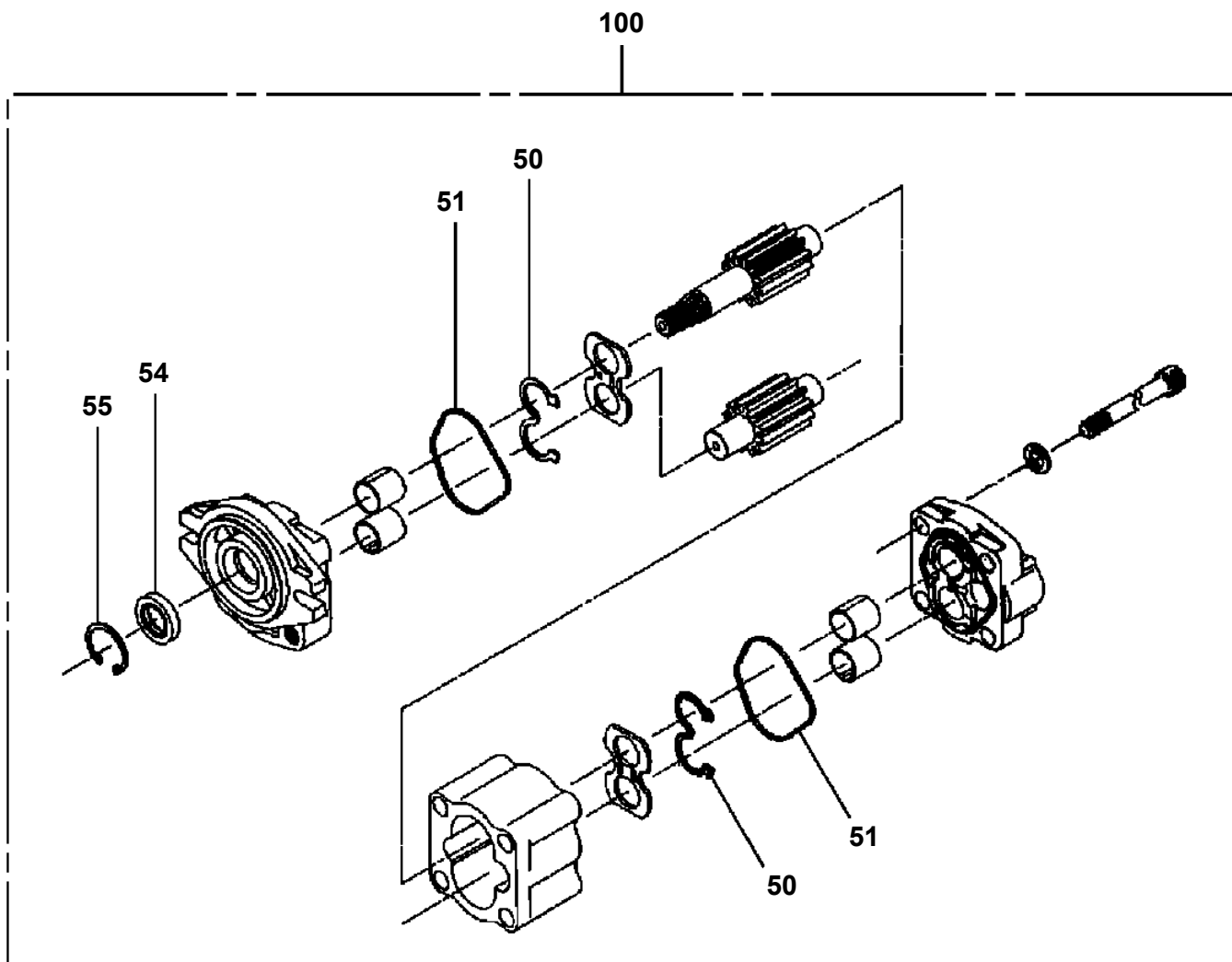
AT-147-3 43010132300 LOWER,HINO TKG-XZU600F-TKFSC6
PH5034148-00 HARNESS



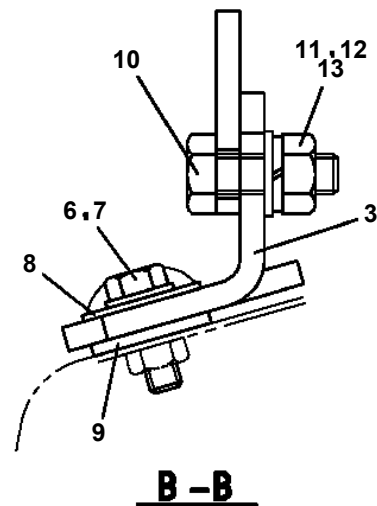
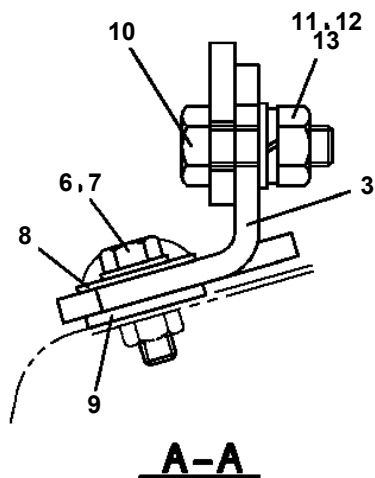
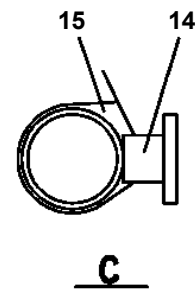
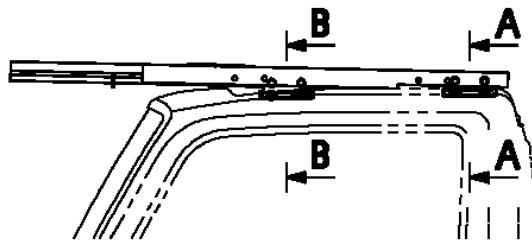
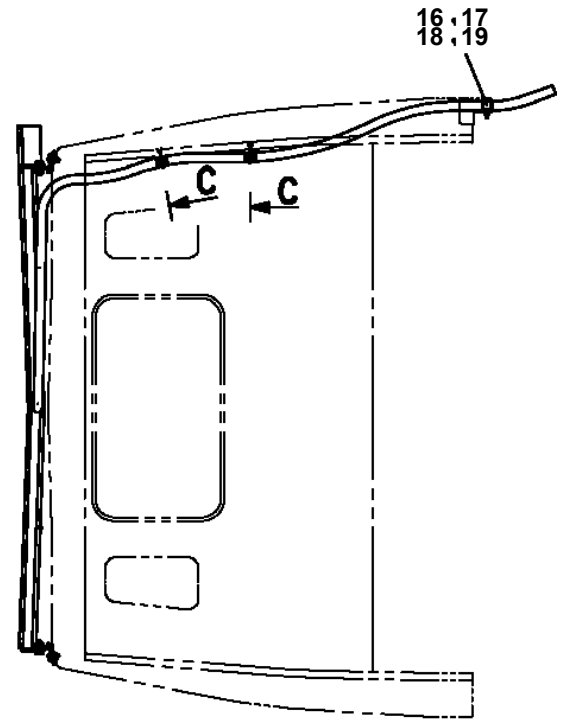
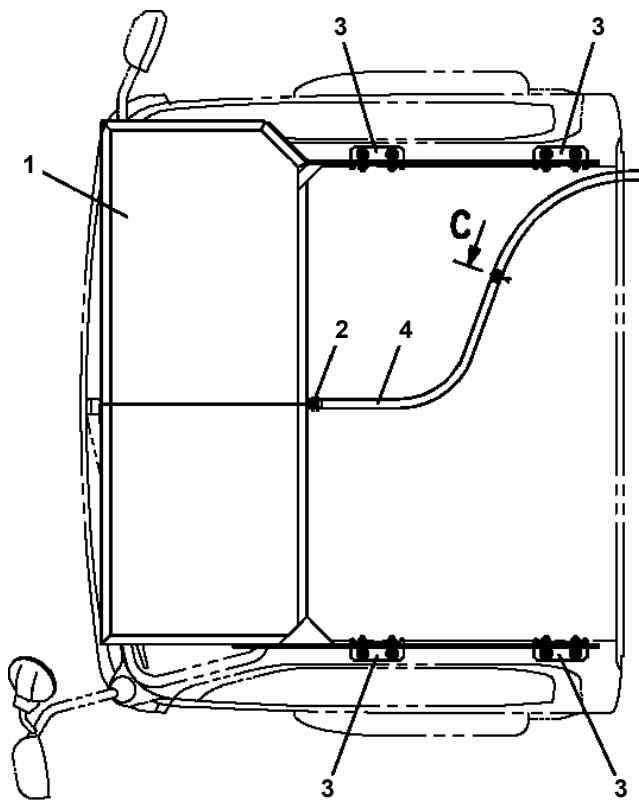
AT-147-3 43010132300 LOWER, HINO TKG-XZU600F-TKFSC6
PN1014620-01 ELEC. ASSY (ACCELERATOR)



AT-147-3 43010132300 LOWER,HINO TKG-XZU600F-TKFSC6
PP5500003-00 PUMP,OIL (32CC:L)



**AT-147-3 43010132300 LOWER, HINO TKG-XZU600F-TKFSC6
PX1370303-00 GUARD, CAB**



CLICK HERE TO **DOWNLOAD** THE COMPLETE MANUAL

- Thank you very much for reading the preview of the manual.
- You can download the complete manual from: www.heydownloads.com by clicking the link below



- Please note: If there is no response to CLICKING the link, please download this PDF first and then click on it.

CLICK HERE TO **DOWNLOAD** THE COMPLETE MANUAL