

**AT-147-3 43010143700 LOWER,ISUZU TKG-NKR85YN-EN5AHY-M**

PO1000171-00 INDICATION PLATES

PX2001770-00 CARRIER UNIT

PX3000508-01 MOUNTING UNIT

ASSEMBLY

CLICK HERE TO **DOWNLOAD** THE COMPLETE MANUAL

- Thank you very much for reading the preview of the manual.
- You can download the complete manual from: [www.heydownloads.com](http://www.heydownloads.com) by clicking the link below



- Please note: If there is no response to CLICKING the link, please download this PDF first and then click on it.

CLICK HERE TO **DOWNLOAD** THE COMPLETE MANUAL

# AT-147-3 43010143700 LOWER,ISUZU TKG-NKR85YN-EN5AHY-M

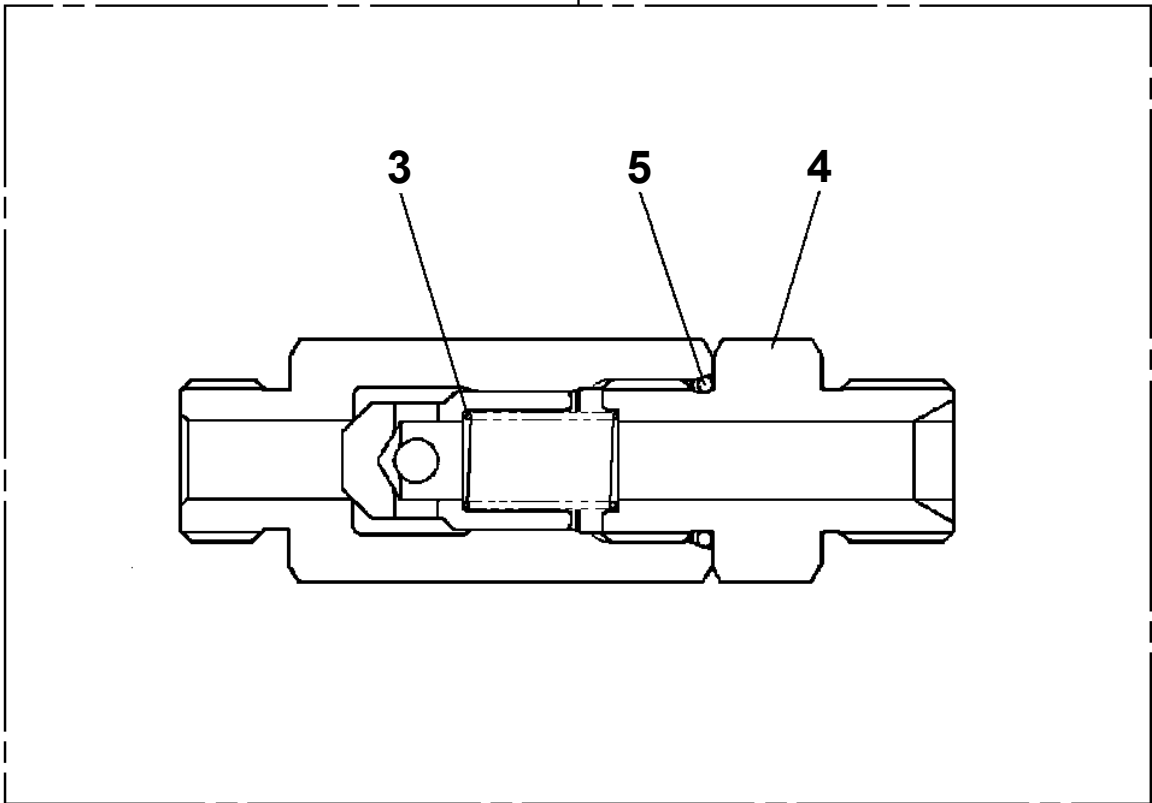
Pos No.	Parts No	Parts Name	Qty	Unit	Technical Data	Serial No (Start)	Serial No (End)	Remarks	Page
1	90303071001	WASHER,PLAIN	2		10				
2	90302041001	WASHER,SPRING	2		10				
3	90174110035	BOLT	2		M10X35				
4	36652840000	PUMP,OIL (32CC:L)	1						00002

# AT-147-3 43010143700 LOWER,ISUZU TKG-NKR85YN-EN5AHY-M

Pos No.	Parts No	Parts Name	Qty	Unit	Technical Data	Serial No (Start)	Serial No (End)	Remarks	Pages
100	42935480200	HARNESS	1						

**AT-147-3 43010143700 LOWER,ISUZU TKG-NKR85YN-EN5AHY-M  
PI1140188-00 VALVE,CHECK**

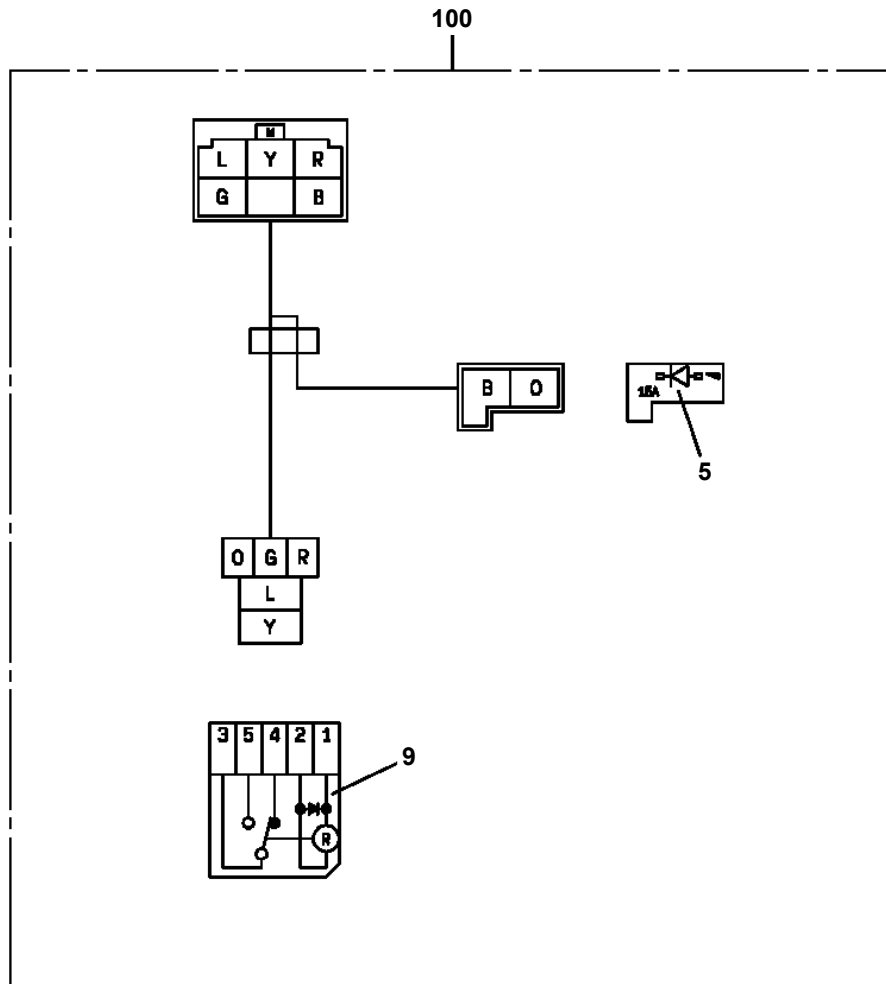
**50**



**AT-147-3 43010143700 LOWER,ISUZU TKG-NKR85YN-EN5AHY-M**

Pos No.	Parts No	Parts Name	Qty	Unit	Technical Data	Serial No (Start)	Serial No (End)
1	42935480200	HARNESS	1				
2	82114101010	CONNECTOR	1				
3	82114102010	CONNECTOR (1P FEMALE,HOUSING)	1				
4	82111101010	TERMINAL	1				
5	82111101510	TERMINAL	1				
6	82121101085	PLUG (AVS0.85)	2				
7	91810132530	FASTENER	20				

AT-147-3 43010143700 LOWER,ISUZU TKG-NKR85YN-EN5AHY-M  
PR5210003-00 RELAY



# AT-147-3 43010143700 LOWER,ISUZU TKG-NKR85YN-EN5AHY-M

Pos No.	Parts No	Parts Name	Qty	Unit	Technical Data	Serial No (Start)	Serial No (End)	Remarks	Pages
1	42698911001	DECK	1						
2	90101208025	BOLT	4		M8X25				
3	90201200800	NUT	4		M8				
4	42690150010	SUPPORT	4						
5	34250000850	PLATE	4		T=4.5				
6	90101208020	BOLT	4		M8X20				
7	90302040801	WASHER,SPRING	4		8				
8	90303071001	WASHER,PLAIN	12		10				
9	90303070801	WASHER,PLAIN	N		8				
10	89631303000	HOSE,VINYL	1		22X26,25,3M				
11	91803600300	CLIP	1		D=22-30				
12	91810130240	FASTENER	3						
13	82401601002	CLAMP	3						
14	82100002016	CLAMP	1		WR25				
15	90303070601	WASHER,PLAIN	1		6				
16	90101206020	BOLT	1		M6X20				
17	90201200600	NUT	1		M6				
18	90302040601	WASHER,SPRING	1		6				
20	42698910101	SUPPORT	1						
21	42698910201	SUPPORT	1						
22	90101210030	BOLT	8		M10X30				
23	90302041001	WASHER,SPRING	8		10				
24	90201201000	NUT	8		M10				
44	82400000205	GROMMET	4						

CLICK HERE TO **DOWNLOAD** THE COMPLETE MANUAL

- Thank you very much for reading the preview of the manual.
- You can download the complete manual from: [www.heydownloads.com](http://www.heydownloads.com) by clicking the link below



- Please note: If there is no response to CLICKING the link, please download this PDF first and then click on it.

CLICK HERE TO **DOWNLOAD** THE COMPLETE MANUAL