

AT-147-3 43010141500 LOWER,ISUZU PDG-NKR85YN-EN5AHY-M

PO1000171-00 INDICATION PLATES

PX2001299-00 CARRIER UNIT

PX3000660-00 MOUNTING UNIT

ASSEMBLY

CLICK HERE TO **DOWNLOAD** THE COMPLETE MANUAL

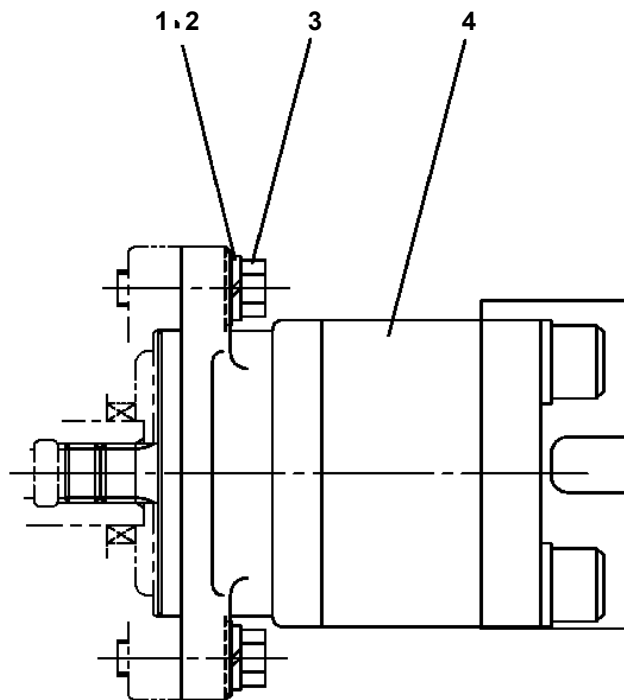
- Thank you very much for reading the preview of the manual.
- You can download the complete manual from: www.heydownloads.com by clicking the link below



- Please note: If there is no response to CLICKING the link, please download this PDF first and then click on it.

CLICK HERE TO **DOWNLOAD** THE COMPLETE MANUAL

**AT-147-3 43010141500 LOWER, ISUZU PDG-NKR85YN-EN5AHY-M
PB1110007-01 PUMP INSTALLATION**



AT-147-3 43010141500 LOWER,ISUZU PDG-NKR85YN-EN5AHY-M

Pos No.	Parts No	Parts Name	Qty	Unit	Technical Data	Serial No (Start)	Serial No (End)	Remarks	Pages
100	42935480200	HARNESS	1						

AT-147-3 43010141500 LOWER,ISUZU PDG-NKR85YN-EN5AHY-M

Pos No.	Parts No	Parts Name	Qty	Unit	Technical Data	Serial No (Start)	Serial No (End)	Remarks	Pages
100	42936361200	HARNESS	1						

AT-147-3 43010141500 LOWER,ISUZU PDG-NKR85YN-EN5AHY-M

Pos No.	Parts No	Parts Name	Qty	Unit	Technical Data	Serial No (Start)	Serial No (End)	Remarks	Pages
1	42935120100	HARNESS	1						000012
2	90302040601	WASHER,SPRING	1		6				
3	90201200600	NUT	1		M6				
4	91810130240	FASTENER	5						

AT-147-3 43010141500 LOWER,ISUZU PDG-NKR85YN-EN5AHY-M

Pos No.	Parts No	Parts Name	Qty	Unit	Technical Data	Serial No (Start)	Serial No (End)	Remarks	Pages
50	36652335010	GASKET	2						
51	36652335020	GASKET	2						
54	53063551010	SEAL,OIL	1						
55	80602110360	RING,RITAINING	1		R36				
100	36652840000	PUMP,OIL (32CC:L)	1						

AT-147-3 43010141500 LOWER,ISUZU PDG-NKR85YN-EN5AHY-M

Pos No.	Parts No	Parts Name	Qty	Unit	Technical Data	Serial No (Start)	Serial No (End)	Remarks	Pages
1	42896920100	COVER	1				590382		
	42896920200	COVER	1			590383			
2	90186208014	BOLT,FLANGE	3		M8X14				
22	82400000202	GROMMET	1				590382		

AT-147-3 43010141500 LOWER,ISUZU PDG-NKR85YN-EN5AHY-M

Pos No.	Parts No	Parts Name	Qty	Unit	Technical Data	Serial No (Start)	Serial No (End)	Remarks	Pages
1	42898430101	SUPPORT	1				590391		
	42898430102	SUPPORT	1			590392	590399		
	42898430103	SUPPORT	1			590400			
2	90171112030	BOLT	4		M12X30				
3	42897740300	HANDLE	1						
4	90302041201	WASHER,SPRING	4		12				
5	42895820100	CARRIER	1						
6	90101208016	BOLT	4		M8X16				
7	90302040801	WASHER,SPRING	4		8				
8	42760831200	ROD	1				590399		
	42760831201	ROD	1			590400			
9	80720106032	PIN,SPRING	1		6X32		590399		
10	42780030170	PLATE	1						
12	90303071201	WASHER,PLAIN	4		12	590400			

CLICK HERE TO **DOWNLOAD** THE COMPLETE MANUAL

- Thank you very much for reading the preview of the manual.
- You can download the complete manual from: www.heydownloads.com by clicking the link below



- Please note: If there is no response to CLICKING the link, please download this PDF first and then click on it.

CLICK HERE TO **DOWNLOAD** THE COMPLETE MANUAL