

AT-147-3 43010141200 LOWER,ISUZU PDG-NKR85YN-EN5AHY-M

PO1000171-00 INDICATION PLATES

PX2001230-00 CARRIER UNIT

PX3000662-00 MOUNTING UNIT

ASSEMBLY

CLICK HERE TO **DOWNLOAD** THE COMPLETE MANUAL

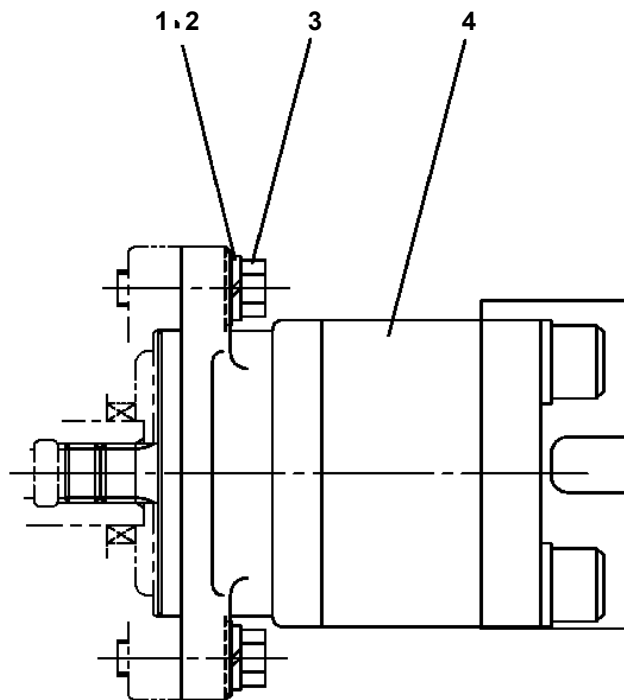
- Thank you very much for reading the preview of the manual.
- You can download the complete manual from: www.heydownloads.com by clicking the link below



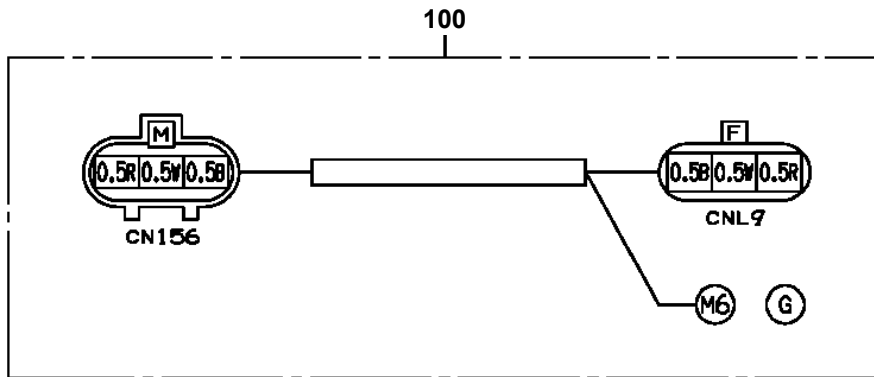
- Please note: If there is no response to CLICKING the link, please download this PDF first and then click on it.

CLICK HERE TO **DOWNLOAD** THE COMPLETE MANUAL

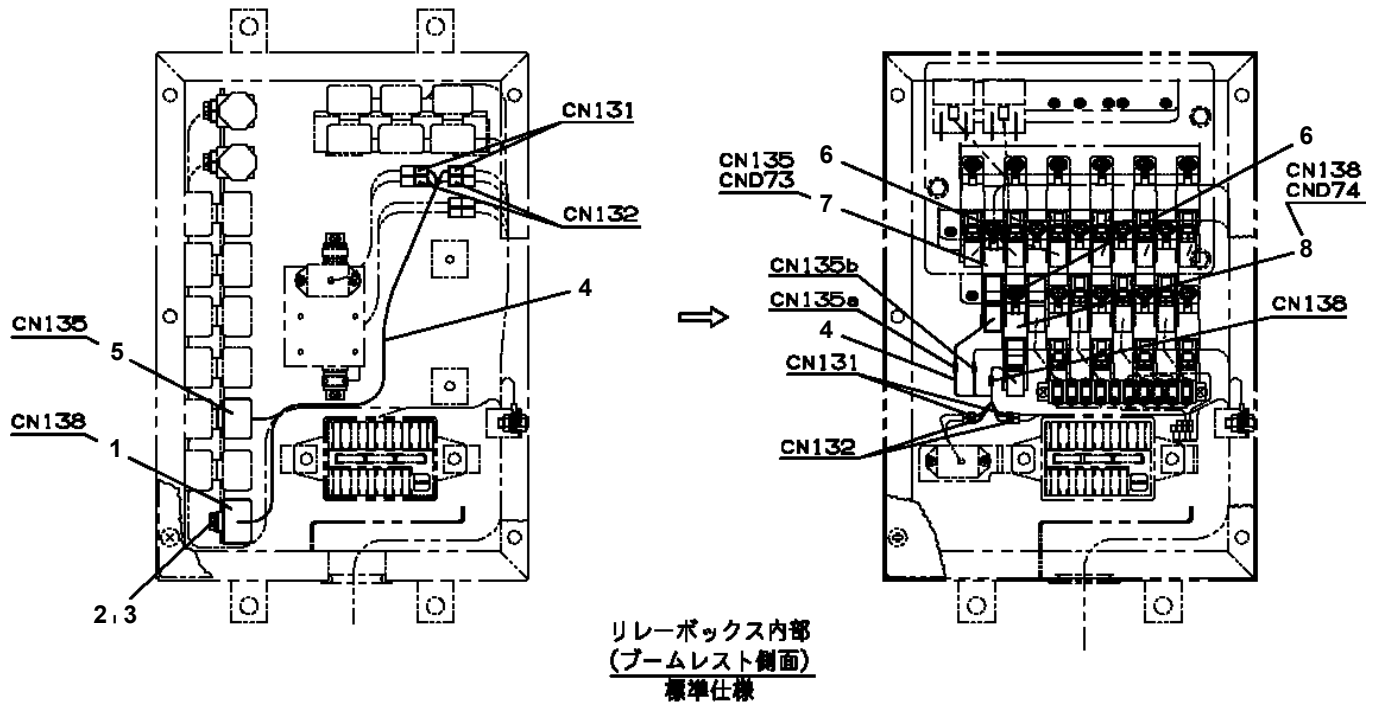
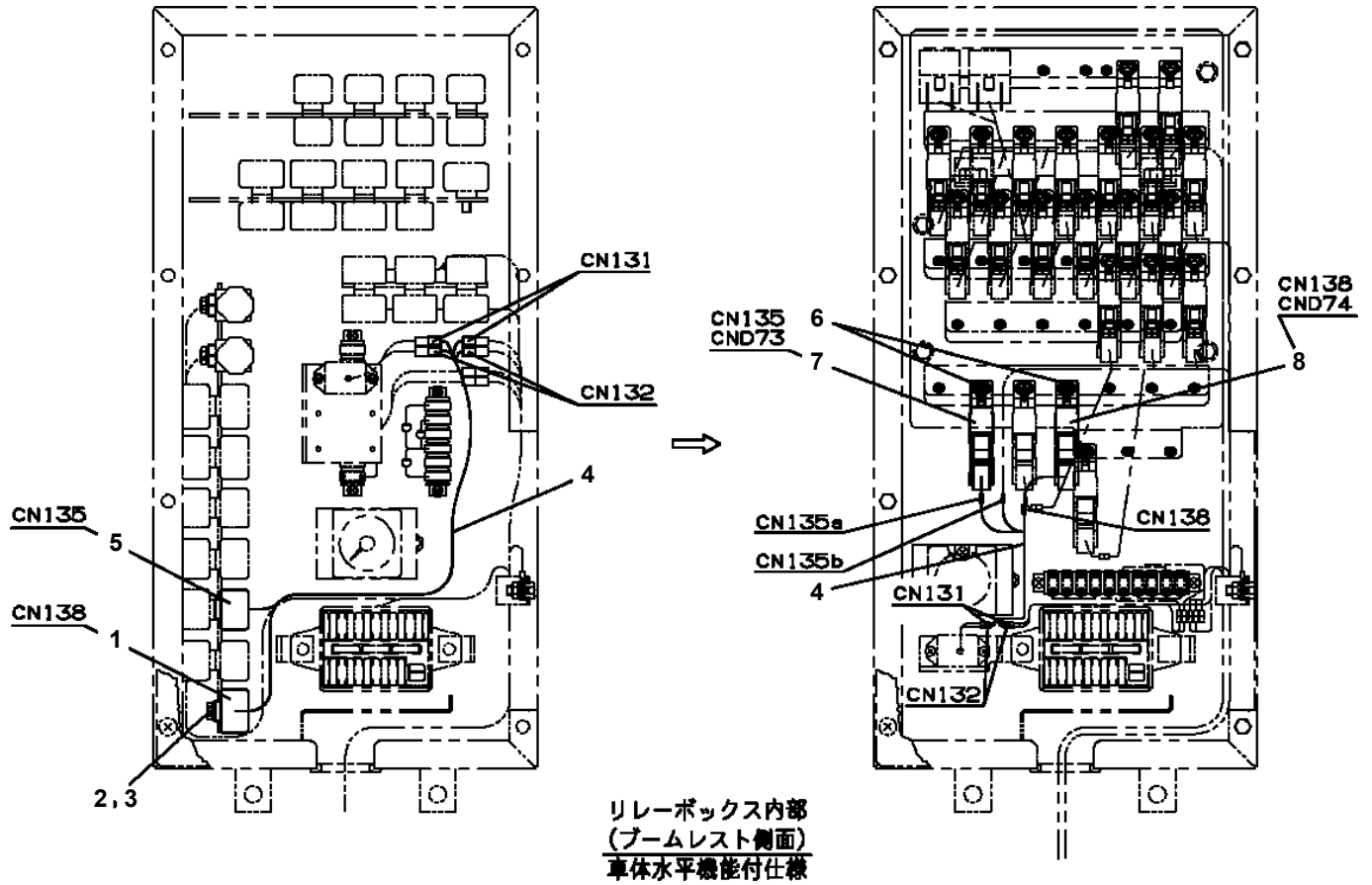
**AT-147-3 43010141200 LOWER, ISUZU PDG-NKR85YN-EN5AHY-M
PB1110007-01 PUMP INSTALLATION**



AT-147-3 43010141200 LOWER,ISUZU PDG-NKR85YN-EN5AHY-M
PH5031092-00 HARNESS



AT-147-3 43010141200 LOWER, ISUZU PDG-NKR85YN-EN5AHY-M
 PN1014646-01 ELEC.ASSY (ISUZU, TOYOTA, HINO/ KEY SW INTERLOCK RELAY)



いすゞ



いすゞ・トヨタ・日野

AT-147-3 43010141200 LOWER,ISUZU PDG-NKR85YN-EN5AHY-M

Pos No.	Parts No	Parts Name	Qty	Unit	Technical Data	Serial No (Start)	Serial No (End)	Remarks	Pages
1	82444100500	PLATE,NAME	1						

AT-147-3 43010141200 LOWER,ISUZU PDG-NKR85YN-EN5AHY-M

Pos No.	Parts No	Parts Name	Qty	Unit	Technical Data	Serial No (Start)	Serial No (End)	Remarks	Pages
1	42895521000	SUPPORT ASSY	1						
2	90171110020	BOLT	4		M10X20				
3	90302041001	WASHER,SPRING	4		10				
21	42895521100	SUPPORT	1						
22	42895521200	SUPPORT	1						
23	37002012030	PLATE,SLIDE	4						
24	42895521010	PLATE	14						
25	80184306010	SCREW,MACHINE	8		M6X10				
26	42895521300	SUPPORT	1						
27	37000179680	PIN	1						
28	80136340030	PIN,SPLIT	2		4X30				
29	37000114550	PIN	1						
30	80136320014	PIN,SPLIT	4		2X14				
31	82440103128	GAS SPRING	1						
32	37000176760	PIN	1						

AT-147-3 43010141200 LOWER,ISUZU PDG-NKR85YN-EN5AHY-M

Pos No.	Parts No	Parts Name	Qty	Unit	Technical Data	Serial No (Start)	Serial No (End)	Remarks	Pages
1	42698911000	DECK	1				590376		
	42698911001	DECK	1			590377			
2	90101208025	BOLT	4		M8X25				
3	90201200800	NUT	4		M8				
4	42690150010	SUPPORT	4						
5	34250000850	PLATE	4		T=4.5				
6	90101208020	BOLT	4		M8X20				
7	90302040801	WASHER,SPRING	4		8				
8	90303071001	WASHER,PLAIN	12		10				
9	90303070801	WASHER,PLAIN	N		8				
10	89631303000	HOSE,VINYL	1		22X26,25,3M				
11	91803600300	CLIP	1		D=22-30				
12	91810130240	FASTENER	3						
13	82401601002	CLAMP	3						
14	82100002016	CLAMP	1		WR25				
15	90303070601	WASHER,PLAIN	1		6				
16	90101206020	BOLT	1		M6X20				
17	90201200600	NUT	1		M6				
18	90302040601	WASHER,SPRING	1		6				
20	42698910100	SUPPORT	1				590419		
	42698910101	SUPPORT	1			590420			
21	42698910200	SUPPORT	1				590419		
	42698910201	SUPPORT	1			590420			
22	90101210030	BOLT	8		M10X30				
23	90302041001	WASHER,SPRING	8		10				
24	90201201000	NUT	8		M10				
44	82400000205	GROMMET	4						

CLICK HERE TO **DOWNLOAD** THE COMPLETE MANUAL

- Thank you very much for reading the preview of the manual.
- You can download the complete manual from: www.heydownloads.com by clicking the link below



- Please note: If there is no response to CLICKING the link, please download this PDF first and then click on it.

CLICK HERE TO **DOWNLOAD** THE COMPLETE MANUAL