

AT-147-3 43010100071 UPPER

**PD2000186-01 SWING UNIT
PF1000776-00 WINCH SYSTEM
PG2000244-00 BOOM UNIT
PH1000550-00 SAFETY DEVICES (MOTION CONTROLLER)
PJ3000567-00 BUCKET SYSTEM
PJ5000003-00 BOOSTER UNIT
PK2001262-00 FRAME UNIT
PO1000171-00 INDICATION PLATES
PW1000118-00 ACCESSORIES & TOOLS
PX1001200-00 MOUNTING PARTS
PY1001439-00 OPTIONS
ASSEMBLY**

CLICK HERE TO **DOWNLOAD** THE COMPLETE MANUAL

- Thank you very much for reading the preview of the manual.
- You can download the complete manual from: www.heydownloads.com by clicking the link below



- Please note: If there is no response to CLICKING the link, please download this PDF first and then click on it.

CLICK HERE TO **DOWNLOAD** THE COMPLETE MANUAL

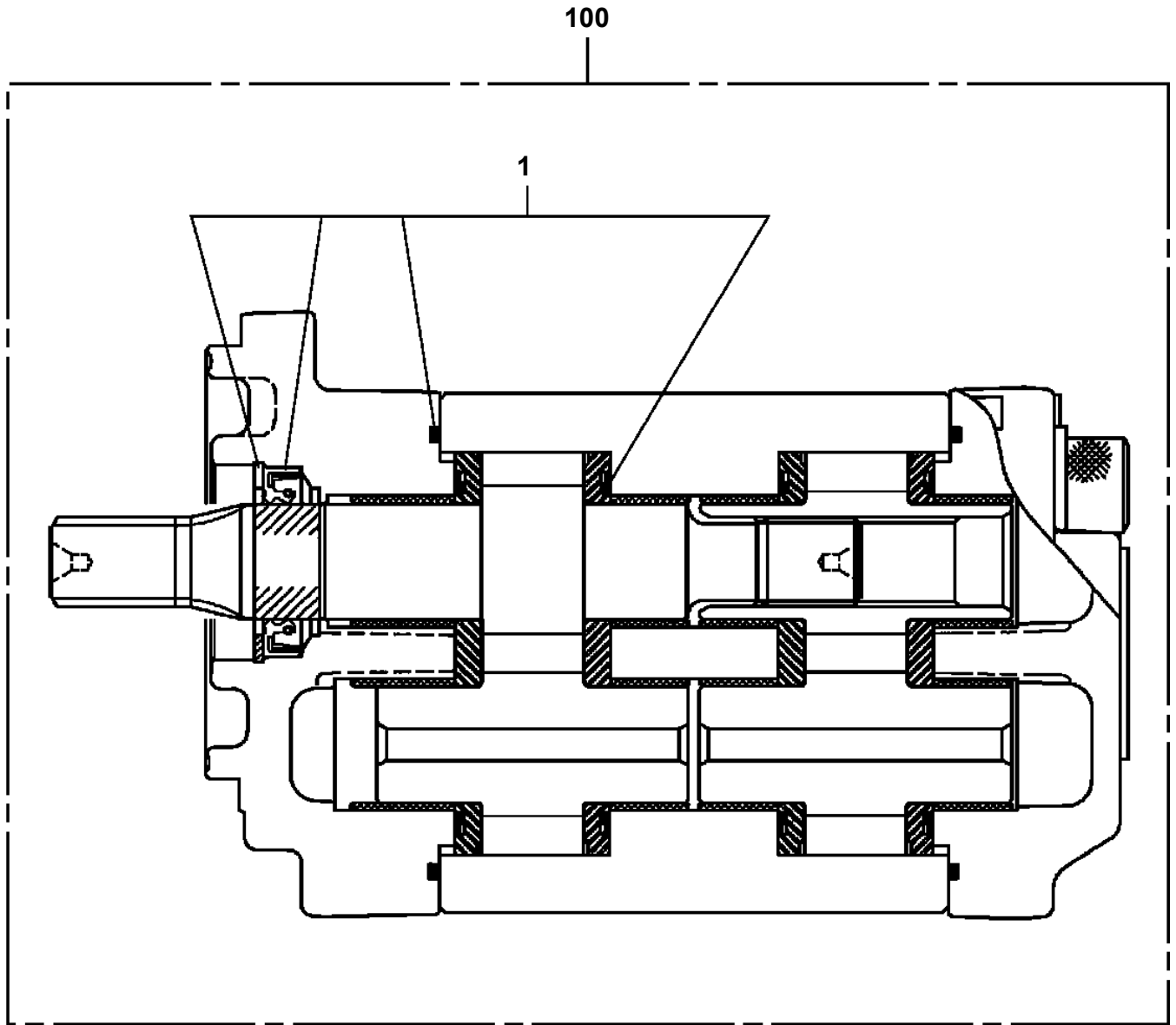
AT-147-3 43010100071 UPPER

Pos No.	Parts No	Parts Name	Qty	Unit	Technical Data	Serial No (Start)	Serial No (End)
1	42267241000	BUCKET	1				
2	(*****)	BUCKET (INNER CASE)	1				
4	(*****)	ARM ASSY	1				590391
	(*****)	ARM ASSY	1			590392	590393
	(*****)	ARM ASSY	1			590394	590399
	(*****)	ARM ASSY	1			590400	
5	(*****)	PIPING,ARM	1				590391
	(*****)	PIPING ASSY,ARM	1			590392	590393
	(*****)	PIPING ASSY,ARM	1			590394	
6	(*****)	PIPING,BUCKET	1				590391
	(*****)	PIPING ASSY,BUCKET	1			590392	590393
	(*****)	PIPING ASSY,BUCKET	1			590394	590399
	(*****)	PIPING ASSY,BUCKET	1			590400	
9	(*****)	COVER,BOOM (TOP/FRP,WHITE)	1				
10	(*****)	FRAME (BUCKET)	1				590391
	(*****)	BUCKET FRAME ASSY	1			590392	590393
	(*****)	BUCKET FRAME ASSY	1			590394	590399
	(*****)	BUCKET FRAME ASSY	1			590400	
11	(*****)	COVER ASSY (ARM)	1				
12	(*****)	COVER (WINCH/FRP,WHITE)	1				
13	42267274000	COVER (CLOTH,WHITE/BUCKET)	1				
14	(*****)	COVER (BUCKET/FRP,WHITE)	1				
15	(*****)	COVER (ARM HOSE,CLOTH)	1				
16	(*****)	COVER	1				
17	42262804000	COVER,WINCH (CLOTH,WHITE/WINCH)	1				
21	(*****)	OPE.ASSY,BUCKET	1				590445
	(*****)	OPE.ASSY (BUCKET)	1			590446	
22	(*****)	ELEC.ASSY (ARM)	1				
23	(*****)	ELEC.ASSY,BUCKET	1				590391
	(*****)	ELEC.ASSY,BUCKET	1			590392	590445
	(*****)	ELEC.ASSY,BUCKET	1			590446	
24	(*****)	ACCESSORIES (BUCKET INNER MAT)	1				

AT-147-3 43010100071 UPPER

Pos No.	Parts No	Parts Name	Qty	Unit	Technical Data	Serial No (S
1	(*****)	MOUNT ASSY,TOOL BOX (LEFT/F:SINGLE-DECKER,R:NONE)	1			
2	(*****)	BOX,TOOL (RIGHT/F:1-DECKER,R:NONE)	1			
3	(*****)	EARTHING DEVICE (8X20M, TOP CLIP)	1			

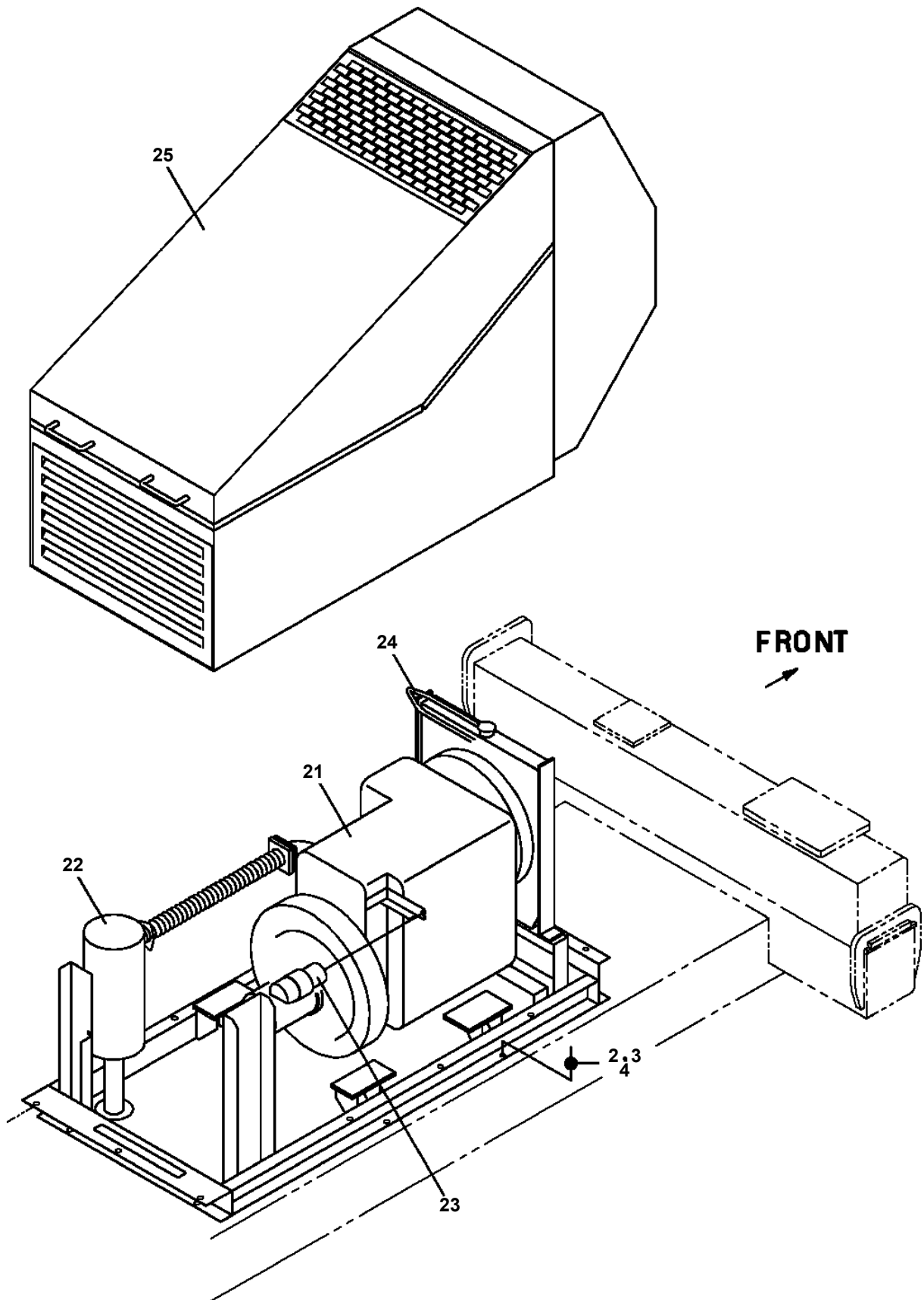
AT-147-3 43010100071 UPPER
PB1100358-00 PUMP, HYDRAULIC



AT-147-3 43010100071 UPPER

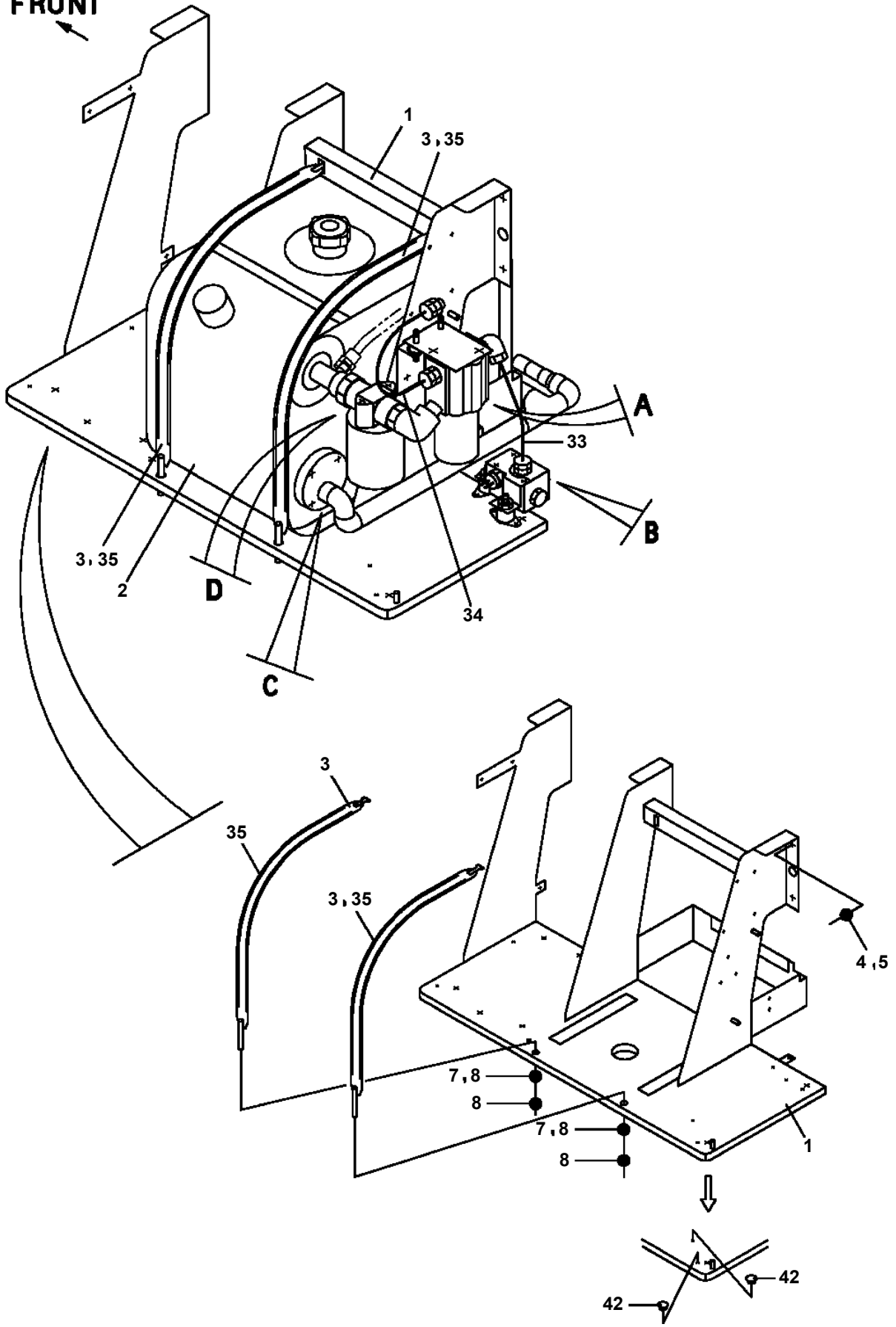
Pos No.	Parts No	Parts Name	Qty	Unit	Technical Data	Serial No (Start)	Serial No (End)	Remarks	F
2	42441873001	BRUSH,ROTARY JOINT	1						0
3	90101208040	BOLT	3		M8X40				
4	90302040801	WASHER,SPRING	3		8				
5	80720105016	PIN,SPRING	1		5X16				
6	42630760200	SPACER	3		L=13				
7	42630760100	COVER	1						
31	53154004000	BUSH (THRUST)	1						
32	42630891100	BODY	1						
33	42630891200	CORE	1						
34	91531211000	PACKING	2						
35	91100211000	SEAL,RING	2						
37	82400000459	CAP	1						
38	82458202000	NIPPLE,GREASE	1		B-TYPE PT1/8				
39	80601111100	RING,RITAINING	1		S110				
50	42630890000	JOINT,ROTARY	1						

**AT-147-3 43010100071 UPPER
PB1380358-01 POWER SUPPLY (MOUNT/ENGINE UNIT)**

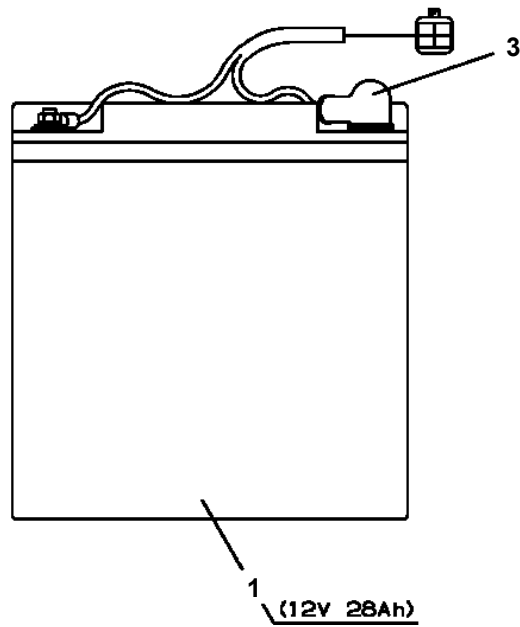
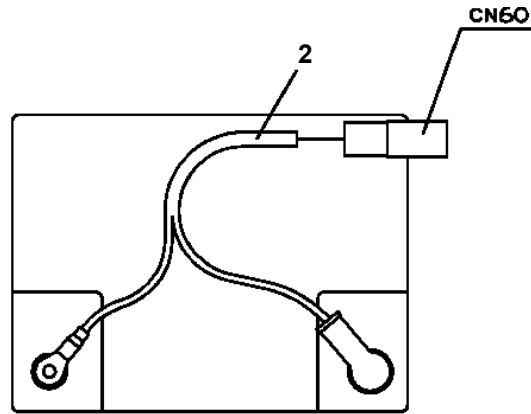


AT-147-3 43010100071 UPPER
PB1411917-03 PIPING,LOWER (TANK)

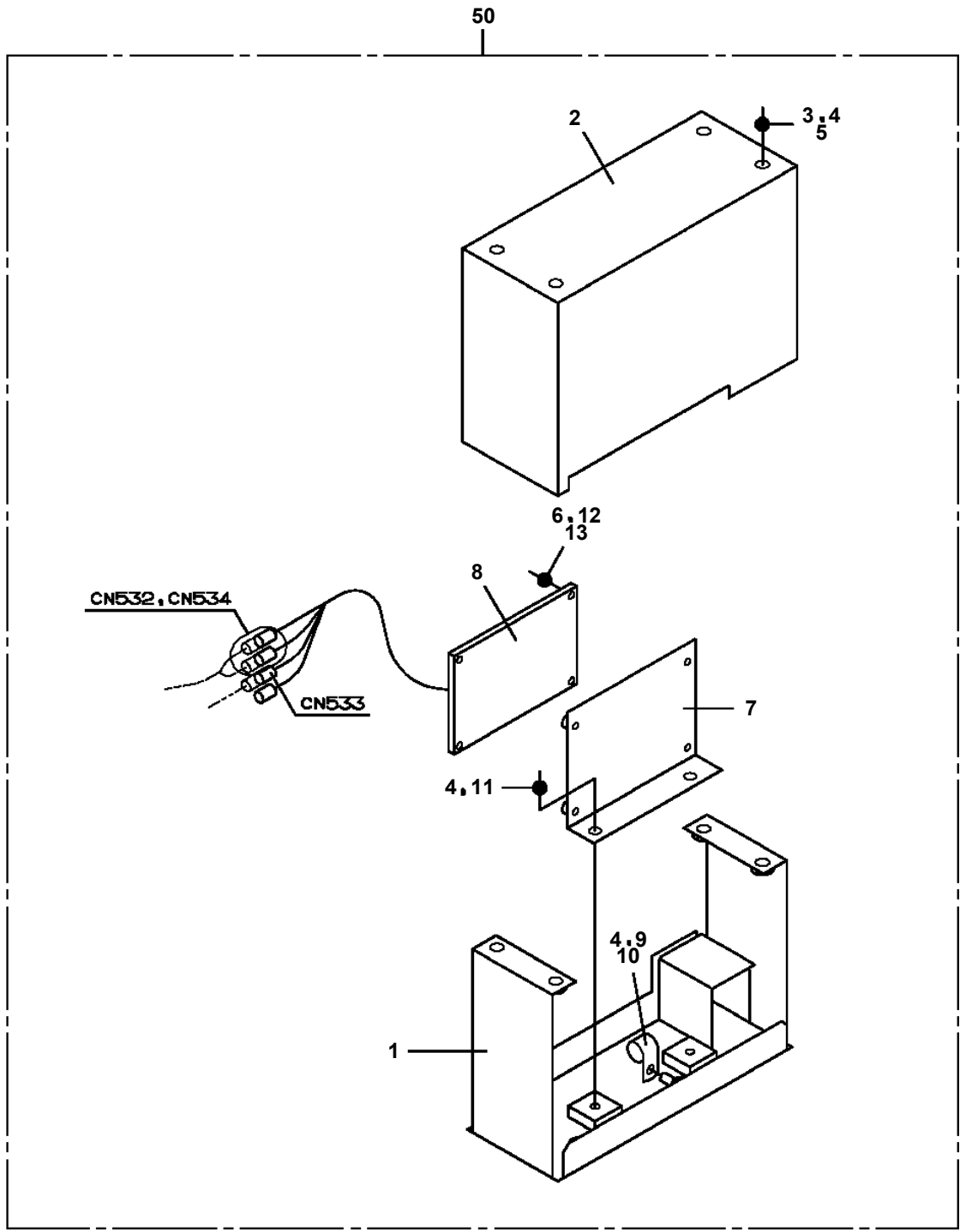
FRONT



**AT-147-3 43010100071 UPPER
PB5060002-00 BATTERY ASSY (12V28AH/PANASONIC)**

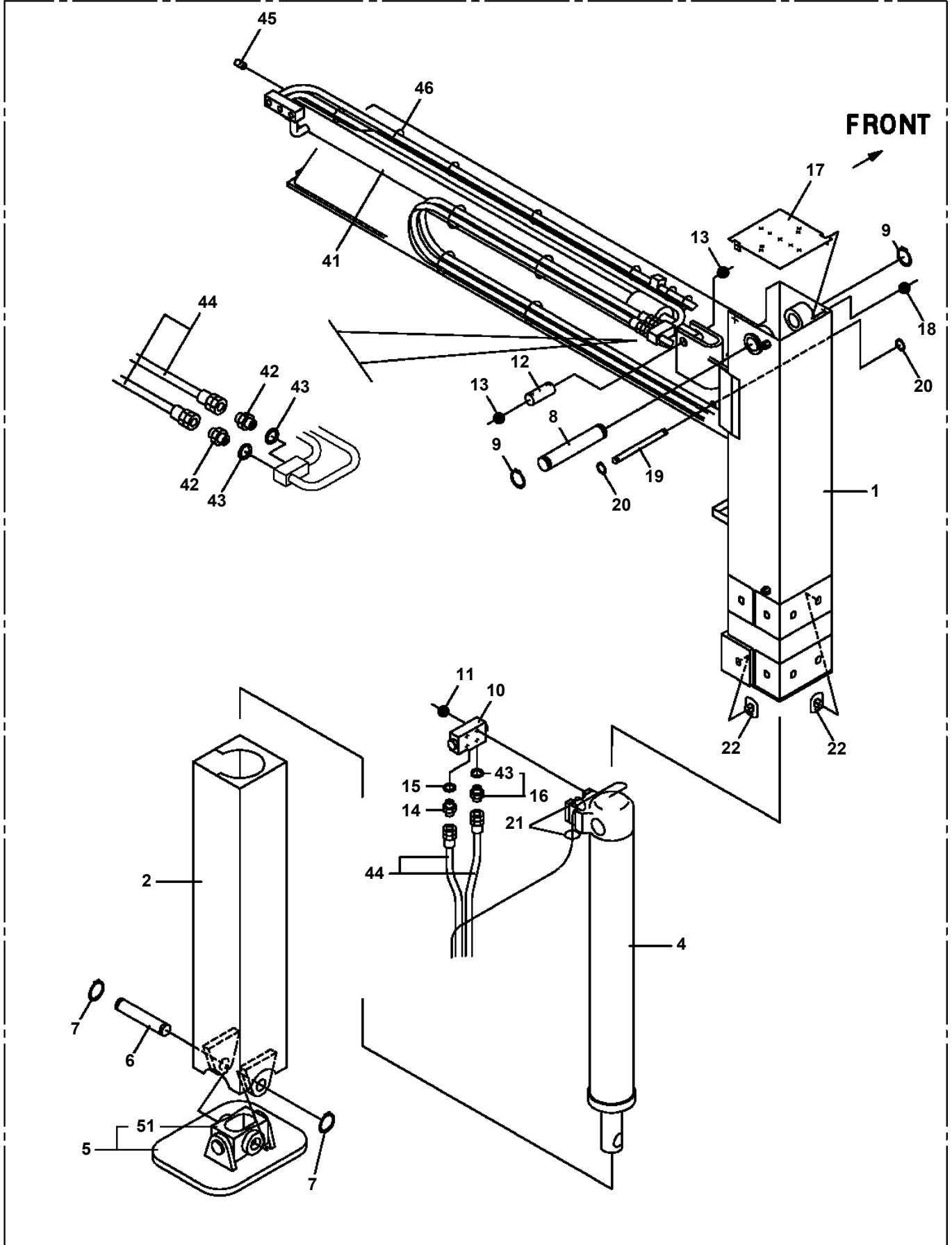


AT-147-3 43010100071 UPPER
PB5260030-00 BOX ASSY

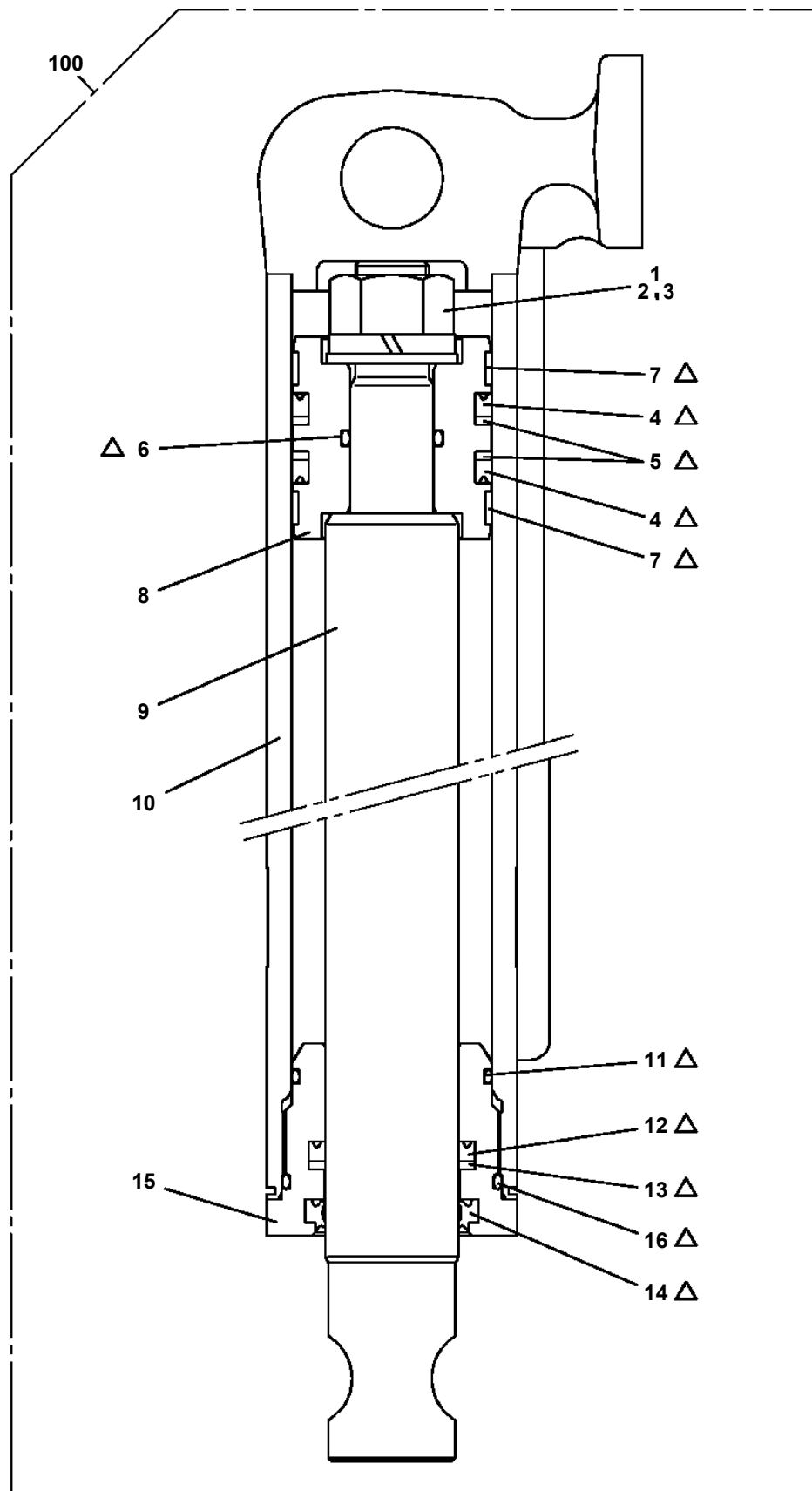


AT-147-3 43010100071 UPPER
PC1011454-00 OUTRIGGER (FRONT, LEFT/INNER CASE)

100



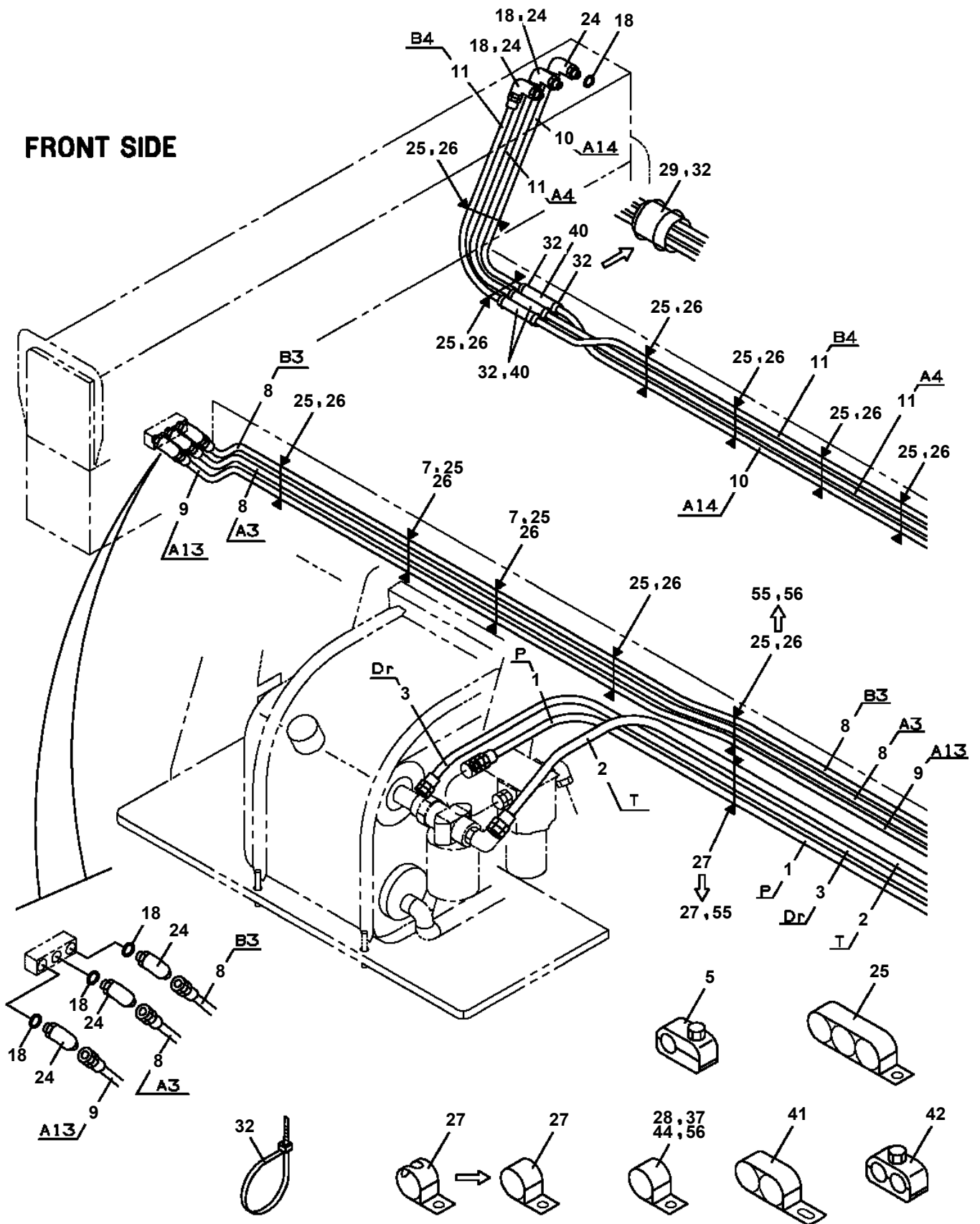
AT-147-3 43010100071 UPPER
PC1030346-00 CYLINDER,JACK



△: PACKING SET KEY NO. 50 (KEY NO. 4, 5, 6, 7, 11, 12, 13, 14, 16)

**AT-147-3 43010100071 UPPER
PC1200639-02 PIPING,OUTRIGGER**

FRONT SIDE



AT-147-3 43010100071 UPPER

Pos No.	Parts No	Parts Name	Qty	Unit	Technical Data	Serial No (Start)	Serial No (End)	R
1	42614461102	CASE,INNER	1					
2	42613351200	CASE,INNER (JACK)	1					
4	36035100000	CYLINDER,JACK	1					
5	42502970100	FLOAT ASSY	1					
6	37000171720	PIN	1					
7	80601110250	RING,RITAINING	2		S25			
8	37000169010	PIN	1		30			
9	80601110300	RING,RITAINING	2		S30			
10	36625740001	VALVE,CHECK	1					
11	90171108055	BOLT	4		M8X55			
12	37000138750	PIN	1		18			
13	80136332036	PIN,SPLIT	2		3.2X36			
14	80400160127	JOINT	1					
15	91002801100	O-RING	1		1B P11			
16	36672460000	FILTER (NIPPLE TYPE)	1					
17	42612851010	COVER	1					
18	90186206014	BOLT,FLANGE	2		M6X14			
19	37000112320	PIN	1					
20	80601110120	RING,RITAINING	2		S12			
21	91810130240	FASTENER	2					
22	31201770100	PLATE,SLIDE	8		T=3.0			
23	82467300106	PLUG	4					
41	36042810000	CYLINDER,EXTENSION (FRONT)	1					
42	80400160127	JOINT	2					
43	91002801100	O-RING	3		1B P11			
44	37002485290	HOSE	1		L=1605			
45	42612851350	HARNESS	1					
	42614051350	HARNESS	1			590392	590391	
46	91810130240	FASTENER	13					
63	42612851420	TRUNNION	1					
100	42614461004	CASE ASSY,INNER (FRONT,LEFT)	1					

AT-147-3 43010100071 UPPER

Pos No.	Parts No	Parts Name	Qty	Unit	Technical Data	Serial No (Start)	Serial No (End)	Re
1	42614692104	CASE ASSY,INNER	1					
2	42613351200	CASE,INNER (JACK)	1					
4	36035100000	CYLINDER,JACK	1					
5	42502970100	FLOAT ASSY	1					
6	37000171720	PIN	1					
7	80601110250	RING,RITAINING	2		S25			
8	37000169010	PIN	1		30			
9	80601110300	RING,RITAINING	2		S30			
10	36625740001	VALVE,CHECK	1					
11	901711108055	BOLT	4		M8X55			
12	37000138750	PIN	1		18			
13	80136332036	PIN,SPLIT	2		3.2X36			
14	80400160127	JOINT	1					
15	91002801100	O-RING	1		1B P11			
16	36672460000	FILTER (NIPPLE TYPE)	1					
17	42612851010	COVER	1					
18	90186206014	BOLT,FLANGE	2		M6X14			
19	37000112320	PIN	1					
20	80601110120	RING,RITAINING	2		S12			
21	91810130240	FASTENER	2					
22	31201770100	PLATE,SLIDE	8		T=3.0			
23	90280200600	NUT,FLANGE	1		M6			
24	37000600700	CLAMP	1		12X3			
25	42614471010	PLATE,SLIDE	1		T=2.0			
26	82467300106	PLUG	4					
41	36042820000	CYLINDER,EXTENSION (REAR)	1					
42	80400160127	JOINT	2					
43	91002801100	O-RING	3		1B P11			
44	37002474980	HOSE	1		L=2075			
45	42613213100	HARNESS	1					
46	91810130240	FASTENER	13					
63	42612851420	TRUNNION	1					
100	42614692005	CASE ASSY,INNER (REAR,LEFT)	1					

AT-147-3 43010100071 UPPER

Pos No.	Parts No	Parts Name	Qty	Unit	Technical Data	Serial No (Start)	Serial No (End)
1	42972380000	CLAMP HEAD ASSY (YONDENKO/SAFETY HOSE)	1				

AT-147-3 43010100071 UPPER

Pos No.	Parts No	Parts Name	Qty	Unit	Technical Data	Serial No (Start)	Serial No (End)	Remarks
1	42272361103	COVER	1					
2	42272361201	COVER	1					
3	42272361301	COVER	1					
4	90101206016	BOLT	8		M6X16			
5	80172803008	SCREW,MACHINE	8		M3X8			
6	90201500300	NUT	8		M3			
7	90302510301	WASHER,SPRING (SUS 3)	8					
8	82466100702	CATCH	2					
9	80172804012	SCREW,MACHINE	12		M4X12			
10	90201500400	NUT	12		M4			
11	90302510401	WASHER,SPRING	12		4			
12	82464110305	HINGE	2					
13	90302040601	WASHER,SPRING	8		6			
14	90303070601	WASHER,PLAIN	8		6			
50	42272361004	COVER ASSY	1					

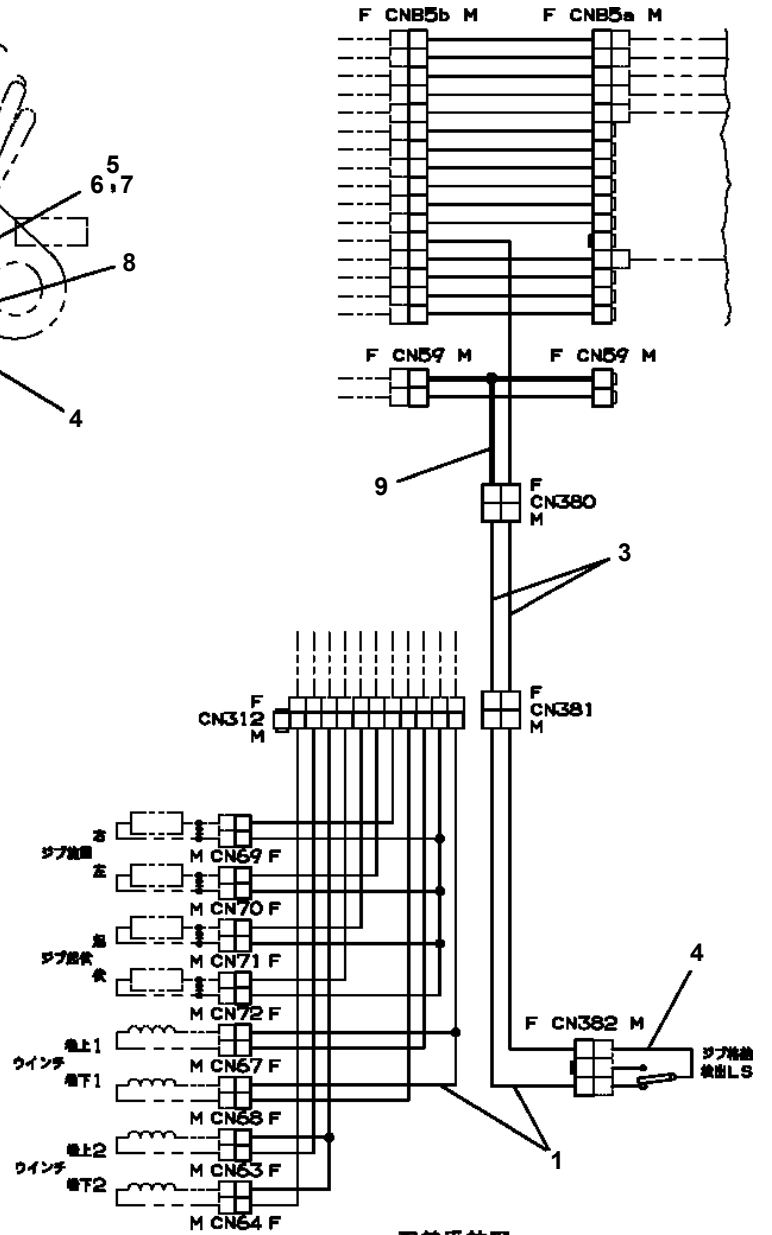
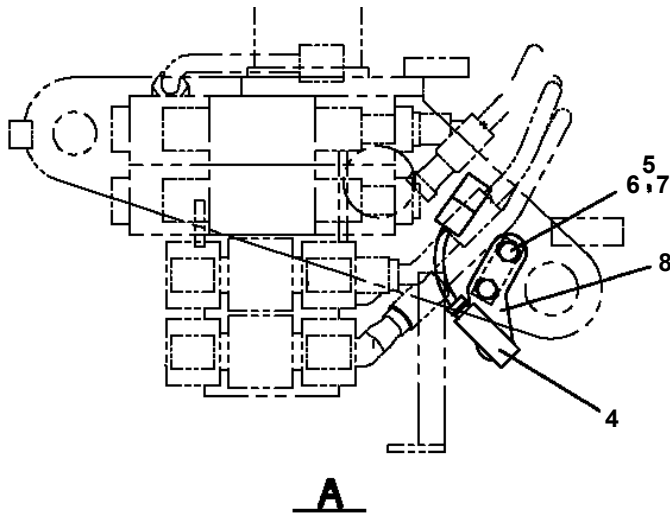
AT-147-3 43010100071 UPPER

Pos No.	Parts No	Parts Name	Qty	Unit	Technical Data	Serial No (Start)
1	36623930000	VALVE,PILOT CHECK	1			
2	91002801000	O-RING	2		1B P10	
3	36054430000	CYLINDER ASSY (LIFT,BUCKET FRAME)	1			
6	90180210035	BOLT,BUTTON	2		M10X35	
100	42268804001	CYLINDER ASSY (LIFT,BUCKET FRAME WITH VALVE)	1			

AT-147-3 43010100071 UPPER

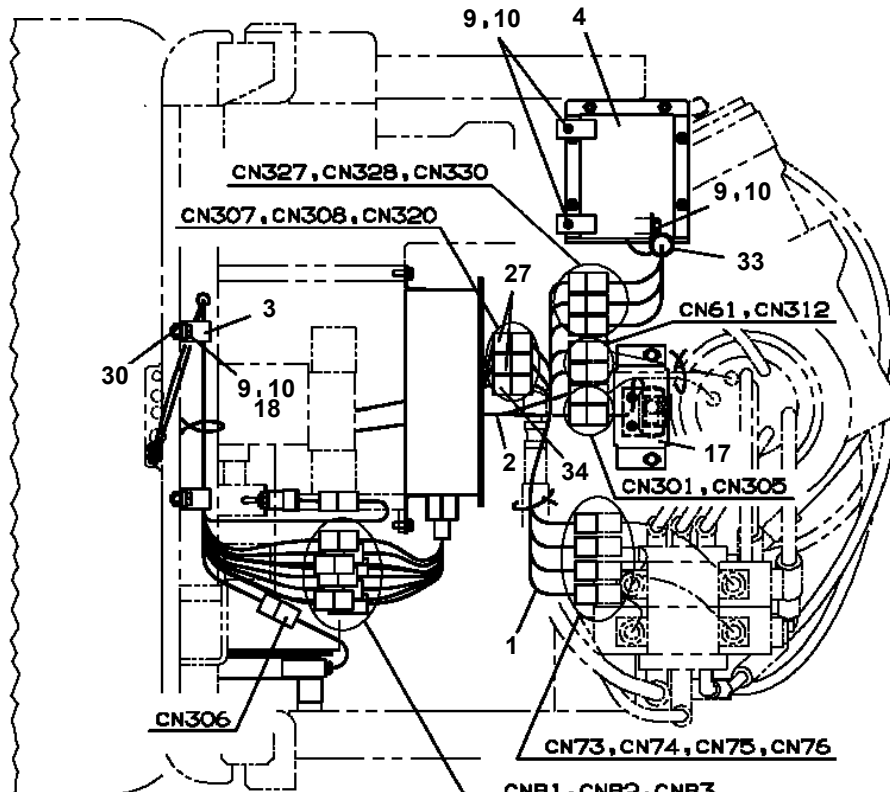
Pos No.	Parts No	Parts Name	Qty	Unit	Technical Data	Serial No (Start)	Serial No (End)
2	36081560000	REDUCER,SWING SPEED	1				
3	90171118070	BOLT (DACRO)	3		M18X70		
4	90303501805	WASHER,PLAIN	6		18		
5	90201781800	NUT (DACRO)	3		M18		
6	90171212035	BOLT (DACRO)	2		M12X35	590400	590399
	90174112035	BOLT	2		M12X35		
7	90710012400	SCREW,SET	2		M12X40		
8	90203201200	NUT	4		M12		
9	90172112035	BOLT,HEXAGON SOCKET	2		M12X35		
10	90302041201	WASHER,SPRING	2		12		
11	36662590000	MOTOR,HYDRAULIC (SWING)	1			590370	590369
	36664070000	MOTOR,OIL	1				
12	91002908500	O-RING	1		1B G85		
31	37002302450	BEARING,SWING (NSK)	1				
32	37002303560	BEARING,SWING (NIHON MONORACE)	1				
	37002304750	BEARING,SWING (KOYO)	1				
41	37002399010	SEAL (UP,DOWN-SIDE SET)	1				
42	82456201000	NIPPLE,GREASE	6		A-TYPE PT1/8		

AT-147-3 43010100071 UPPER
 PE5020170-00 ELEC.ASSY (WINCH)



配線系統図

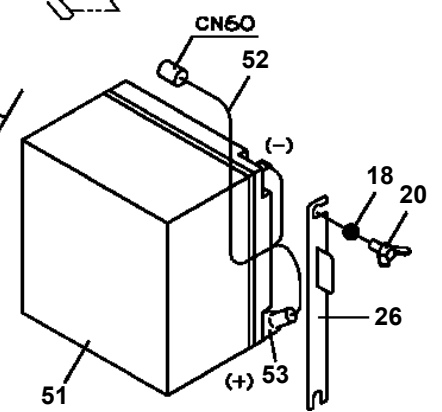
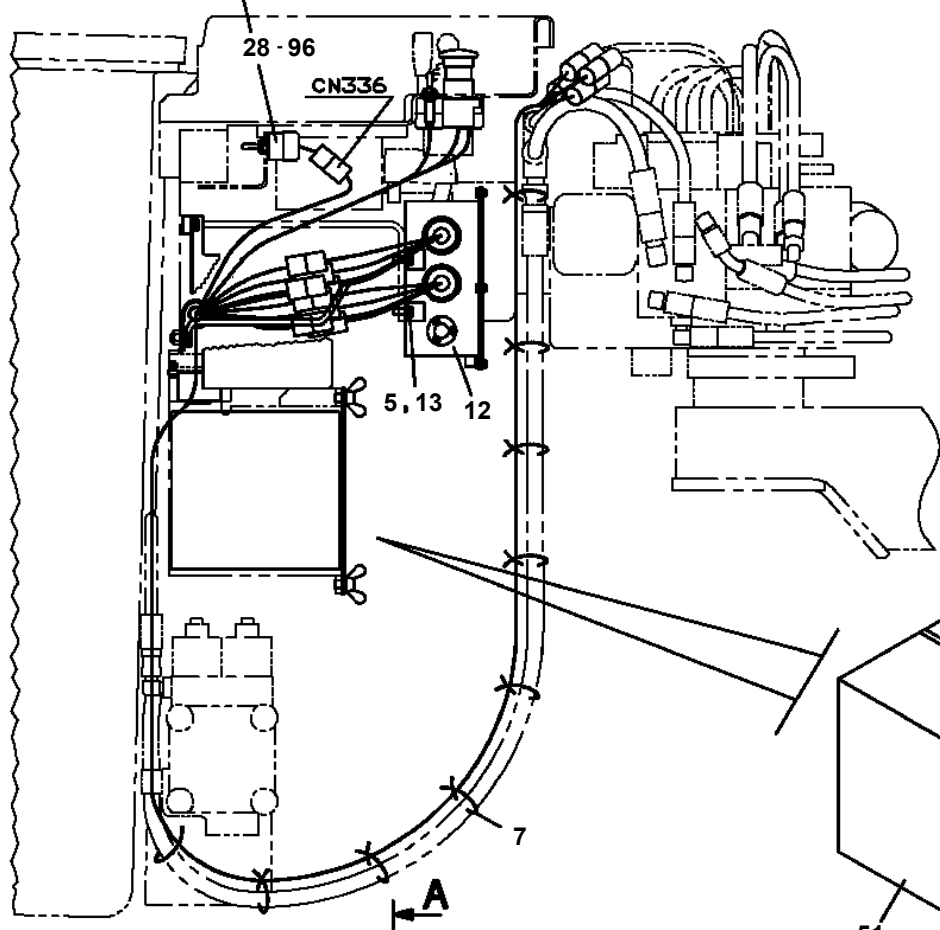
AT-147-3 43010100071 UPPER
PE5060007-00 ELEC.ASSY,BUCKET



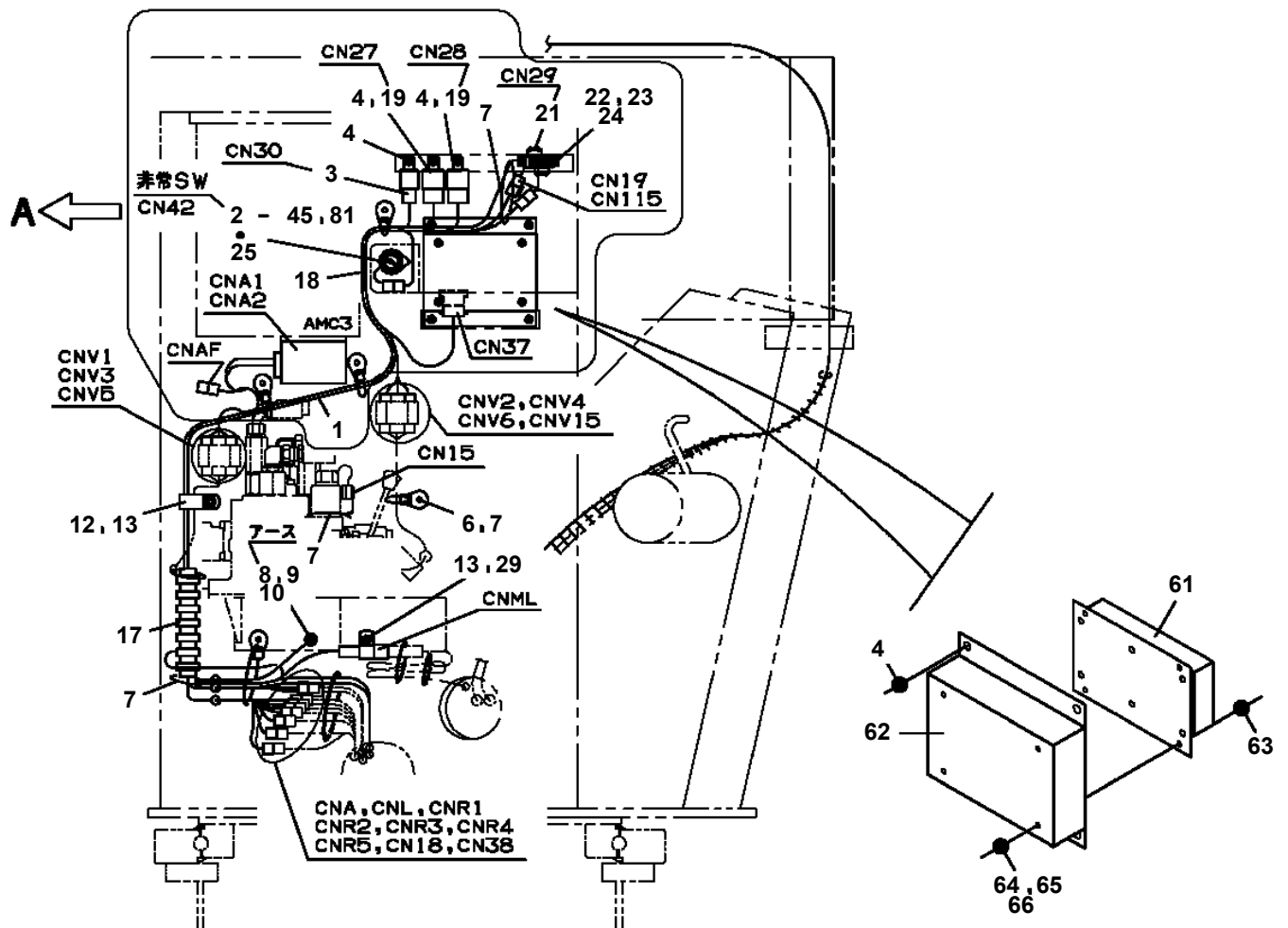
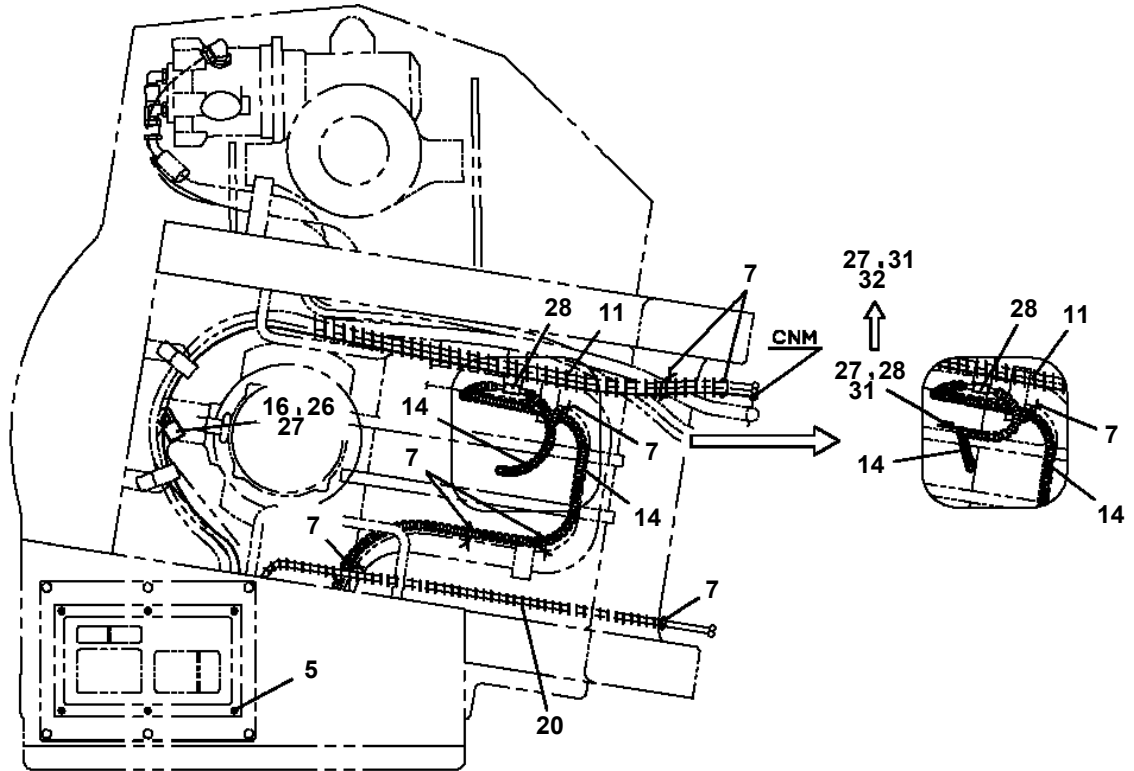
CNB1, CNB2, CNB3
CNB4, CNB5, CNB6, CNB7
CNB8, CNB9, CNBF, CN345

非帯電作用SW

A



**AT-147-3 43010100071 UPPER
PE5190006-04 ELEC.ASSY,SWING FRAME**



AT-147-3 43010100071 UPPER

Pos No.	Parts No	Parts Name	Qty	Unit	Technical Data	Serial No (Start)	Serial No (End)	Remarks
500	36073820000	WINCH	1					

AT-147-3 43010100071 UPPER

Pos No.	Parts No	Parts Name	Qty	Unit	Technical Data	Serial No (Start)	Serial No (End)	Remarks
1	37002465910	HOSE	2		L=580			
2	91002801800	O-RING	2		1B P18			
3	80481304024	JOINT	2					
4	37012400750	HOSE	1		L=1050			
5	37002475170	HOSE	1		L=950			
6	37002460360	HOSE	1		L=780			
7	37002489470	HOSE	1		L=790			
8	80430620400	JOINT	1					
9	80481302020	JOINT	1		G1/4-G1/4			
10	80481302025	JOINT	1		L,G1/4-G1/4			
11	91002801100	O-RING	2		1B P11			
12	37002467720	HOSE	1		L=420			
14	80320010075	FITTING	1		KUD12-020N			
15	81408000160	PIPE,STEEL	1	M	12X1.4T			
16	90101208020	BOLT	3		M8X20			
17	90302040801	WASHER,SPRING	3		8			
31	91002801100	O-RING	12		1B P11			
41	42342842000	VALVE ASSY,SOLENOID	2					
42	90172106040	BOLT,HEXAGON SOCKET	8		M6X40			
43	80471020502	JOINT	7					
44	80400160127	JOINT	1					
45	37000925690	JOINT	1					
46	42312284110	FITTING,FLANGE	1					
47	37000928830	JOINT	1					
48	80316090020	PLUG	7		KKT PT1/8			
49	42342460320	ORIFICE	4		1.0			
50	36741770000	VALVE,SOLENOID	2					
52	90172105050	BOLT,HEXAGON SOCKET	8		M5X50			
53	80303130141	FITTING,ELBOW	1		KLO12-020E			

AT-147-3 43010100071 UPPER

Pos No.	Parts No	Parts Name	Qty	Unit	Technical Data	Serial No (Start)	Serial No (End)	Re
2	42202592000	BOOM, TOP	1					
3	42202593002	SADDLE	1					
4	42202594000	BOOM, 2ND	1					
5	42202709510	BOOM, BASE	1					
6	37001922851	ROPE, WIRE (TESAC)	2		8X4.795M			
7	37001922871	ROPE, WIRE (TESAC)	2		10X9.22M			
9	37000115380	PIN	1					
10	90238403008	NUT, CASTLE	1		M30X2			
11	80136360050	PIN, SPLIT	1		6X50			
12	90303073001	WASHER, PLAIN	1		30			
16	42202700010	PIN	1					
17	80601110300	RING, RITAINING	2		S30			
18	42202590051	PLATE	N		T=0.8			
19	42202590061	PLATE	N		T=0.5			
20	42202590330	PLATE	N		T=0.5			
21	37002019390	PLATE, SLIDE	2					
22	37002019420	PLATE, SLIDE	2					
23	37000586481	PLATE	N		T=0.6			
24	37000588300	PLATE	2		T=0.6			
25	42202590090	PLATE	4		T=0.5			
26	42202590200	PLATE	N		T=0.8			
27	90201701600	NUT	10		M16			
28	90303501601	WASHER, PLAIN	10		16			
29	42202590281	SPACER	10					
30	37000588310	PLATE	8		T=0.6			
31	90302041001	WASHER, SPRING	48		10			
32	90180210045	BOLT, BUTTON	4		M10X45			
33	37000588320	PLATE	8		T=0.6			
34	37002019410	PLATE, SLIDE	2					
36	37000588330	PLATE	2		T=0.6			
37	90180210055	BOLT, BUTTON	4					
38	42202590360	PIN	2					
39	42200021510	PLATE	2					
40	37001007740	SHEAVE ASSY	2					
41	42202700120	PLATE	1		T=0.8			
42	42201630570	PLATE	N		T=2.3			
44	42202700130	PLATE	1		T=1.0			
45	37002018110	PLATE, SLIDE	2					
46	90180210025	BOLT, BUTTON	24		M10X25			
47	82455106000	NIPPLE, GREASE	4		A-M6F FE			
50	80601110200	RING, RITAINING	4		S20			
51	42202590220	PLATE	N		T=0.8			
52	42202590230	PLATE	N		T=0.5			
53	42202590240	PLATE	N		T=0.5			
54	42202590250	PLATE	N		T=1.0			
55	90172106008	BOLT, HEXAGON SOCKET	16		M6X8			
57	37002018070	PLATE, SLIDE	2					
58	37002018060	PLATE, SLIDE	4					
59	37000586470	PLATE	N		T=1.0			
60	37000586460	PLATE	N		T=1.0			
62	37000155020	PIN	4					
63	42202590210	PLATE	N		T=0.8			
64	37002018120	PLATE, SLIDE	2					
65	37000508520	PLATE	N		T=0.8			
66	80184306012	SCREW, MACHINE	4		M6X12			
67	37002006500	PLATE, SLIDE	2					
68	37002010340	PLATE, SLIDE	2					
69	90180210016	BOLT, BUTTON	8		M10X16			
70	37000176290	PIN	1					
71	37000303050	SPACER	2		L=9			
72	42202590100	SHEAVE ASSY	1					
73	80602110300	RING, RITAINING	2		R30			
74	31630482500	CAP	4					

AT-147-3 43010100071 UPPER

Pos No.	Parts No	Parts Name	Qty	Unit	Technical Data	Serial No (Start)	Serial No (End)	Remarks
1	81408000130	PIPE,STEEL	4	M	10X1.8T			
2	81408000130	PIPE,STEEL	4	M	10X1.8T			
3	81408000241	PIPE,STEEL	2	M	18X1.9T			
4	81408000160	PIPE,STEEL	4	M	12X1.4T			
5	81408000210	PIPE,STEEL	4	M	15X2.0T			
6	80400160201	JOINT	2					
7	37002471140	HOSE	2		L=1750			
8	80320010090	FITTING	1		KUD15-030N			
9	80320010080	FITTING	1		KUD12-030N			
10	80320010140	FITTING	1		KUD18-040N			
11	42347061001	SUPPORT	1					
12	37002478770	HOSE	4		L=9200			
13	80400160127	JOINT	4					
14	91002801100	O-RING	4		1B P11			
15	37002488250	HOSE	2		L=9380			
17	42347062001	SUPPORT	1					
18	42343740100	COVER	1					
19	80192486010	SCREW,MACHINE	4		M6X10			
20	90101210020	BOLT	4		M10X20			
21	90302041001	WASHER,SPRING	4		10			
23	80320020080	FITTING	1		KUF12-030N			
24	80320020090	FITTING	1		KUF15-030N			
25	80320020050	FITTING	2		KUF10-020N			
28	42346820401	CLAMP	3					
29	42346820100	SUPPORT	1					
30	90180208020	BOLT,BUTTON	2		M8X20			
31	90302040801	WASHER,SPRING	27		8			
32	90171108018	BOLT	4		M8X18			
33	42346820200	ROLLER ASSY	1				590445	
35	37000587400	PLATE	2		T=6			
37	42346820300	SHEAVE ASSY (MARUCH)	1					
39	90101208045	BOLT	2		M8X45			
40	90101208012	BOLT	2		M8X12			
41	42344970800	SUPPORT	1					
43	37000573430	PLATE	10		T=1			
44	90203201200	NUT	4		M12			
45	90101208020	BOLT	7		M8X20			
46	37000312510	SPACER	3		L=27.5			
47	90303071201	WASHER,PLAIN	4		12			
48	90302041201	WASHER,SPRING	2		12			
49	42346820603	CLAMP	1					
50	42346820502	CLAMP	1					
51	90303070801	WASHER,PLAIN	6		8			
52	42346820150	SUPPORT	1					
53	90201200800	NUT	9		M8			
54	37000304160	SPACER	8		L=30			
55	37000587440	PLATE	2		T=6			
56	42346820350	SUPPORT	2					
57	91810132530	FASTENER	2					
58	37000601410	CUSHION	2					
59	37000601110	CLAMP	1					
60	90101208035	BOLT	1		M8X35			
71	42346820210	SUPPORT	1					
72	37000189860	PIN	1					
73	42340234240	ROLLER	3		W=9			
74	44340392420	ROLLER	4					
75	90303100801	WASHER,PLAIN	14		8		590445	
	90303100801	WASHER,PLAIN	N		8	590446		
76	80136320016	PIN,SPLIT	2		2X16			
81	37000928200	JOINT	1					
82	80400160129	JOINT	2					
83	91002801400	O-RING	3		1B P14			
84	80316070060	PLUG	1		PF3/8			

AT-147-3 43010100071 UPPER

Pos No.	Parts No	Parts Name	Qty	Unit	Technical Data	Serial No (Start)	Serial No (End)	Remarks	Pages
1	42507251100	SUPPORT	1						
2	90101208016	BOLT	8		M8X16				
3	90302040801	WASHER,SPRING	8		8				
4	82466003104	CAP	1						
21	42623043100	PLATE	2		T=9				

AT-147-3 43010100071 UPPER

Pos No.	Parts No	Parts Name	Qty	Unit	Technical Data	Serial No (Start)	Serial No (End)	Remarks	Pages
6	82100000665	CAP (BLACK)	1						
7	82105900040	SWITCH,TOGGLE	1						
10	42502852203	HARNESS	1						

AT-147-3 43010100071 UPPER

Pos No.	Parts No	Parts Name	Qty	Unit	Technical Data	Serial No (Start)	Serial No (End)	Remarks	Pages
100	42356380102	HARNESS	1						

AT-147-3 43010100071 UPPER

Pos No.	Parts No	Parts Name	Qty	Unit	Technical Data	Serial No (Start)	Serial No (End)	Remarks	Pages
100	42352350400	HARNESS	1						

AT-147-3 43010100071 UPPER

Pos No.	Parts No	Parts Name	Qty	Unit	Technical Data	Serial No (Start)	Serial No (End)	Remarks	Pages
100	42736670100	HARNESS	1						

AT-147-3 43010100071 UPPER

Pos No.	Parts No	Parts Name	Qty	Unit	Technical Data	Serial No (Start)	Serial No (End)	Remarks	Pages
100	42612851350	HARNESS	1						

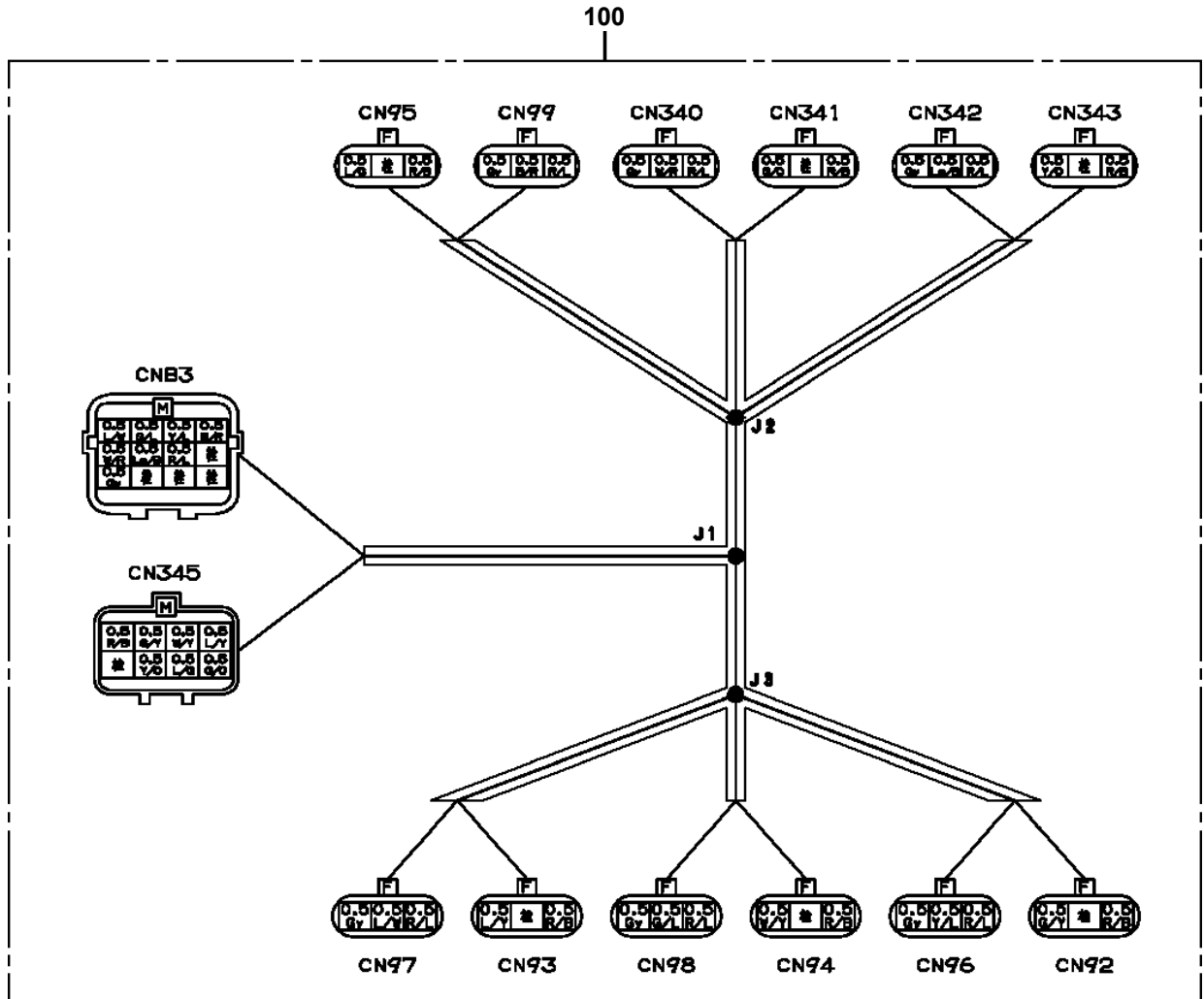
AT-147-3 43010100071 UPPER

Pos No.	Parts No	Parts Name	Qty	Unit	Technical Data	Serial No (Start)	Serial No (End)	Remarks	Pages
100	42357160100	HARNESS	1						

AT-147-3 43010100071 UPPER

Pos No.	Parts No	Parts Name	Qty	Unit	Technical Data	Serial No (Start)	Serial No (End)	Remarks	Pages
27	82182809623	DIODE	1						
36	82182819823	DIODE	4		1.5A				
100	42901450101	HARNESS	1						

AT-147-3 43010100071 UPPER
PH5032504-00 HARNESS



AT-147-3 43010100071 UPPER

Pos No.	Parts No	Parts Name	Qty	Unit	Technical Data	Serial No (Start)	Serial No (End)	Remarks	Pages
32	34351562510	BOX,FUSE	1						
33	82100001841	FUSE	3		20A,YELLOW				
35	82100001839	FUSE	7		10A.RED				
52	82100001836	FUSE	2		3A				
55	82100001840	FUSE	2		15A,BLUE				
71	82182819823	DIODE	5		1.5A				
100	42654360102	HARNESS (MAIN)	1						

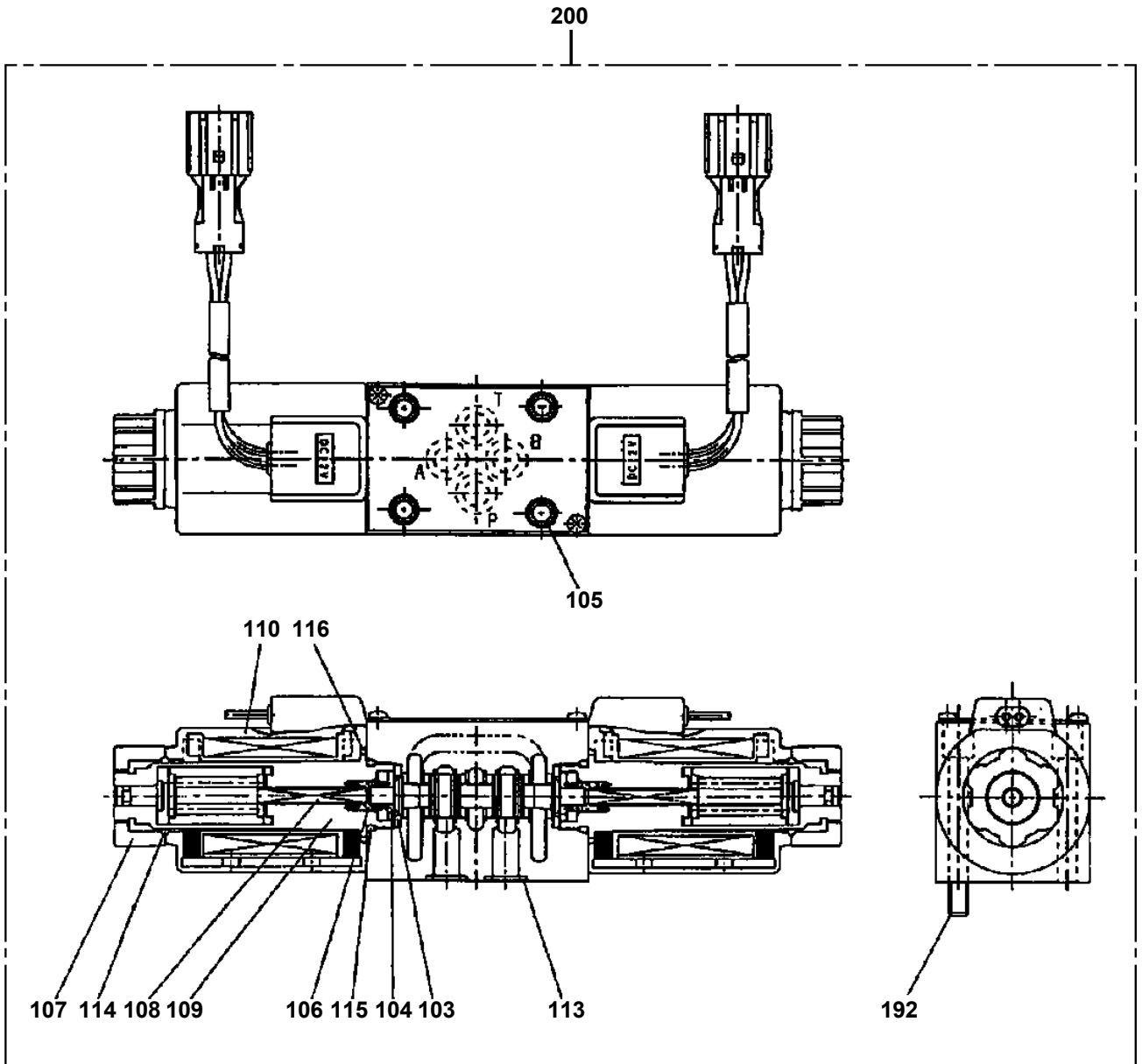
AT-147-3 43010100071 UPPER

Pos No.	Parts No	Parts Name	Qty	Unit	Technical Data	Serial No (Start)	Serial No (End)	Remarks	Pages
100	42354820200	HARNESS	1						

AT-147-3 43010100071 UPPER

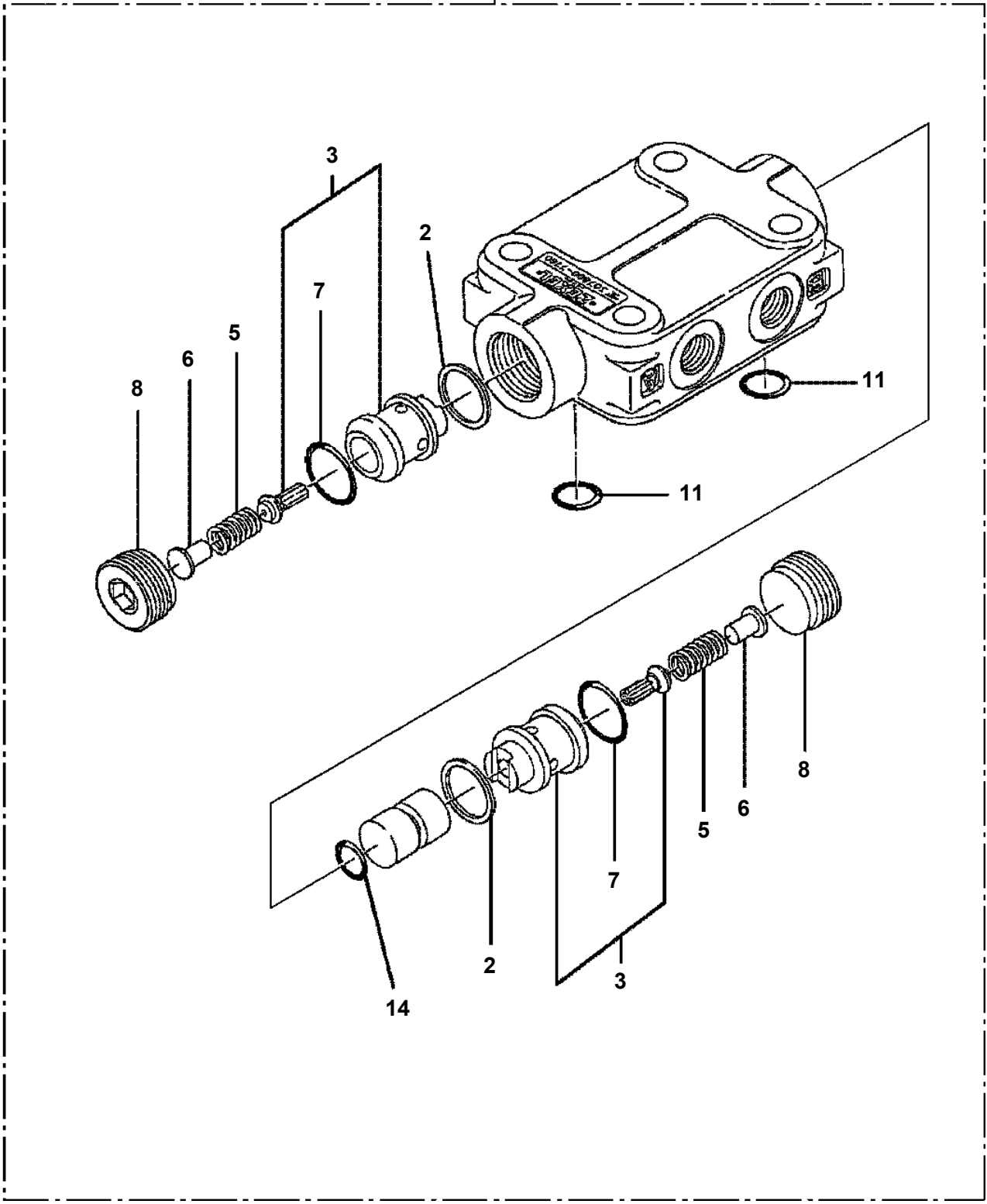
Pos No.	Parts No	Parts Name	Qty	Unit	Technical Data	Serial No (Start)	Serial No (End)	Remark
1	36340345610	SCREW	7					
2	36663415010	GEROLLER	1					
3	36663415020	SHAFT,DRIVING	1					
4	36663415030	CAP (END)	1					
6	36660375070	KEY	1		7X7X31.5			
7	36660405020	PLATE (SPACER)	1					
8	36072725270	FLANGE	1					
9	36660375050	RACE (BEARING)	1					
10	36660375080	SHAFT (OUTPUT)	1					
11	36663415040	HOUSING	1					
13	36660375060	BEARING,THRUST NEEDLE	1					
14	36661585030	SCREW	4					
15	36663415050	PIN (PISTON)	1					
23	36660405070	BALL	2					
28	36663415060	COVER (PISTON)	1					
29	36663415070	SCREW	4					
31	36663415080	SPRING	1					
41	36663415090	SEAL KIT	1					
52	36663415100	O-RING	1					
100	36663410000	MOTOR,HYDRAULIC	1					

**AT-147-3 43010100071 UPPER
PI1120215-02 VALVE,SOLENOID**

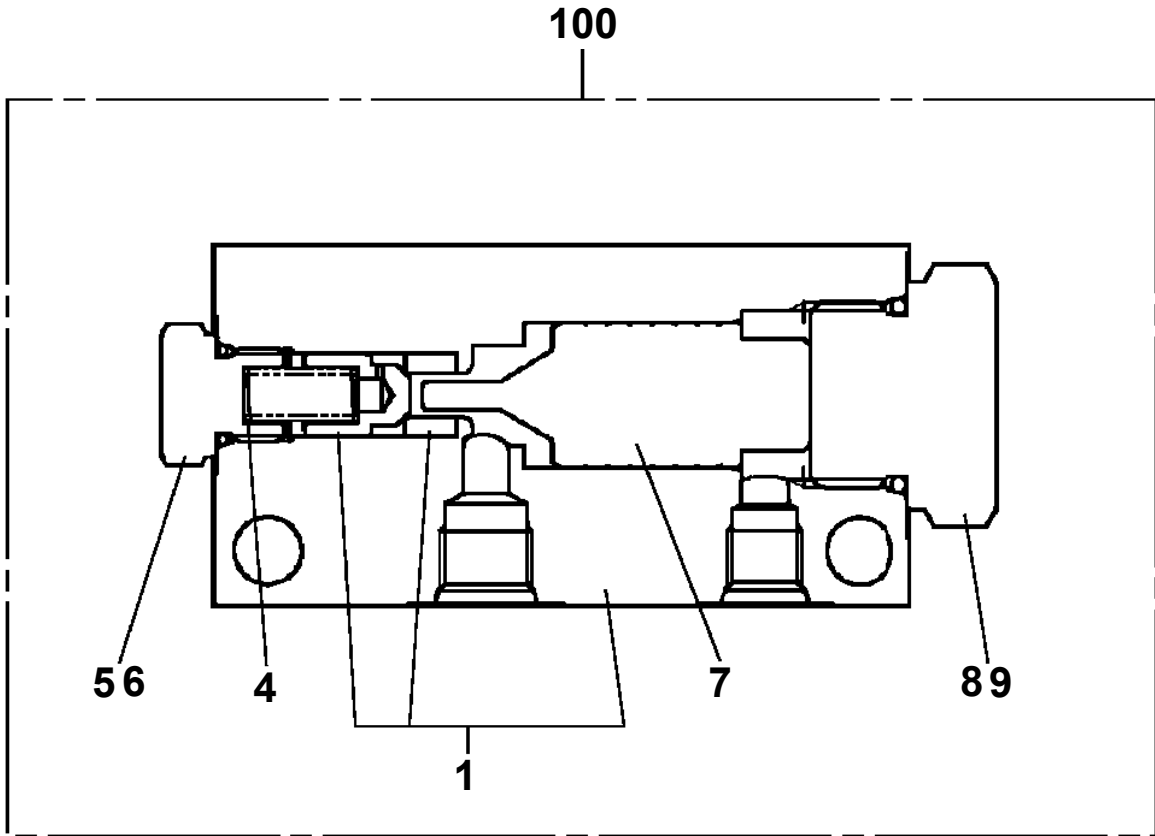


AT-147-3 43010100071 UPPER
PI1140133-01 VALVE,CHECK

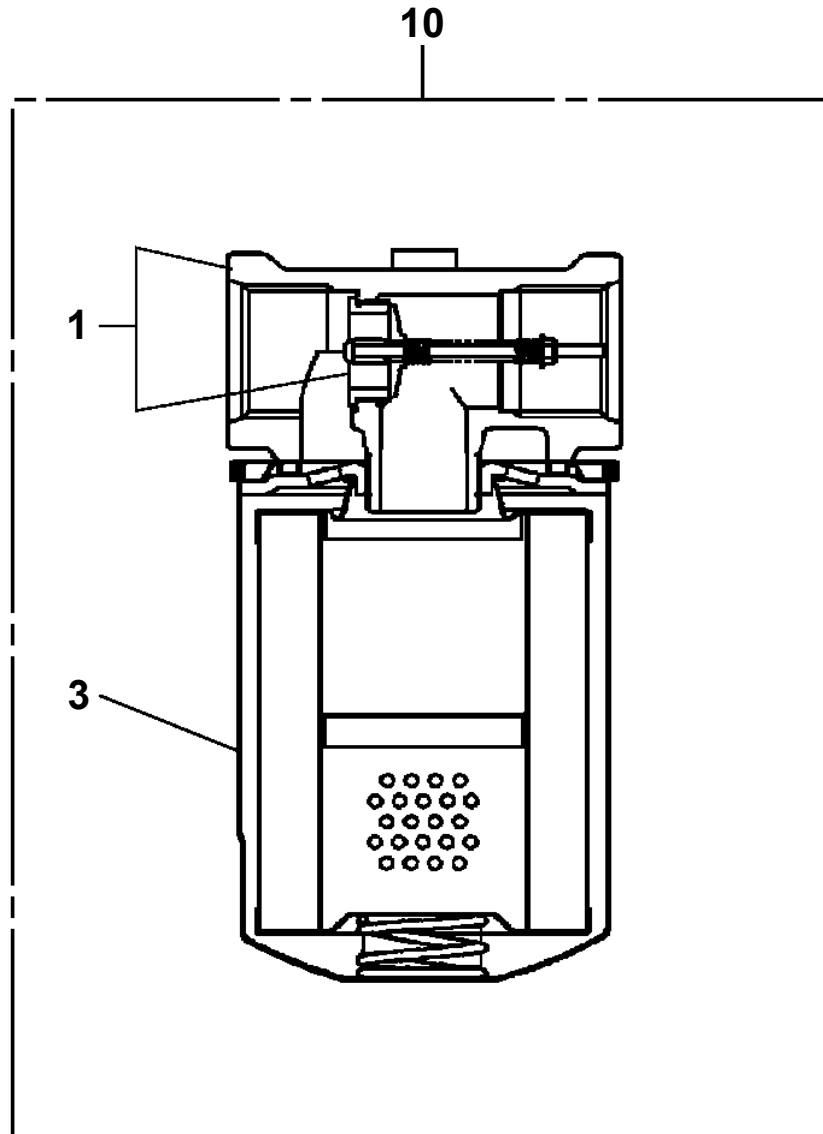
100 → (A)



**AT-147-3 43010100071 UPPER
PI1140212-00 VALVE,CHECK**



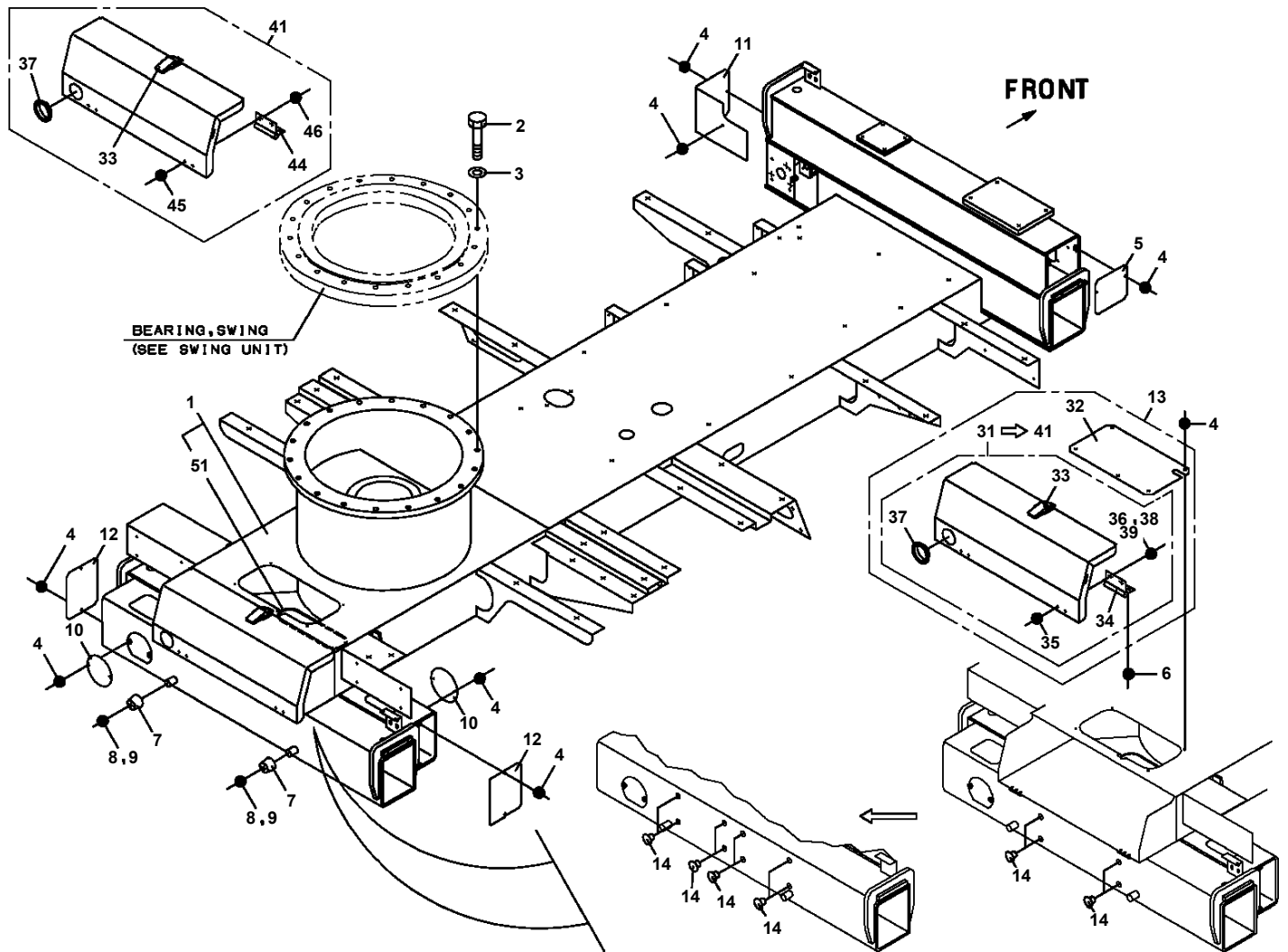
AT-147-3 43010100071 UPPER
PI1300041-00 FILTER,OIL



AT-147-3 43010100071 UPPER

Pos No.	Parts No	Parts Name	Qty	Unit	Technical Data	Serial No (Start)	Serial No (End)	Remarks	Pages
1	37002438420	HOSE	1		L=1850 TO 1800				
2	37002437130	HOSE	1		L=1900				
3	37002456180	HOSE	1		L=1850				
4	82100001411	TUBE, SPIRAL	2	M	SE-08BK				
5	90101208015	BOLT	2		M8X15				
6	90302040801	WASHER, SPRING	2		8				
8	91810130270	FASTENER	20						
9	91002801800	O-RING	2		1B P18				
10	80481304024	JOINT	2						
11	37002406620	HOSE	1		L=1660				
12	37012400740	HOSE	1		L=1660				
13	37002473680	HOSE	1		L=1720				
14	37002437630	HOSE	1		L=1840				
15	42832750010	PLATE	1						
16	37002479570	HOSE	2		L=1090				
17	37002473640	HOSE	1		L=1040				
19	37002471530	HOSE	1		L=2040				
20	37002406670	HOSE	2		L=1610				
21	82420912713	TRIM	1	M					
22	80430620400	JOINT	2						
41	42347241100	JOINT	1						
42	80400160129	JOINT	4						
43	80400160127	JOINT	5						
44	80316090020	PLUG	3		KKT PT1/8				
45	91002801100	O-RING	7		1B P11				
46	91002801400	O-RING	4		1B P14				

AT-147-3 43010100071 UPPER PK1011432-03 FRAME



AT-147-3 43010100071 UPPER

Pos No.	Parts No	Parts Name	Qty	Unit	Technical Data	Serial No (Start)	Serial No (End)	Remarks
1	42272361003	COVER ASSY	1				590405	
	42272361004	COVER ASSY	1			590406	590433	
	42272361005	COVER ASSY	1			590434		
3	90101208016	BOLT	12		M8X16			
4	90302040801	WASHER,SPRING	12		8			
5	90303070801	WASHER,PLAIN	12		8			
6	90101206014	BOLT	6		M6X14			
7	90302040601	WASHER,SPRING	6		6			
8	37000512320	PLATE	6					
9	42270480020	COVER	1					
10	42272360100	COVER	1					
13	82466009202	CATCH	1				590399	
14	80172803008	SCREW,MACHINE	2		M3X8		590399	
15	90303520301	WASHER,PLAIN	2		3		590399	
16	82400000393	INSULATOR	1				590399	
17	80172804016	SCREW,MACHINE	1		M4X16		590399	
18	90201500400	NUT	1		M4		590399	
19	90302510401	WASHER,SPRING	1		4		590399	
20	37000550890	PLATE	3					
21	90303070401	WASHER,PLAIN	1		4	590394	590399	
31	42272362002	COVER ASSY	1				590371	
32	42272362003	COVER ASSY	1			590372	590399	
33	42272362004	COVER ASSY	1			590400		
41	42272362102	COVER	1				590371	
43	82464107501	HINGE	2					
44	90201500300	NUT	8		M3		590371	
	90201500300	NUT	14		M3	590372		
45	90302510301	WASHER,SPRING (SUS 3)	8				590371	
	90302510301	WASHER,SPRING (SUS 3)	14			590372		
46	80175803008	SCREW,MACHINE	8		M3X8			
62	42272362201	COVER	1				590371	
71	42272362103	COVER	1			590372	590399	
72	42272362202	COVER	1			590372	590399	
77	82466117003	LOCK	1			590372		
78	80175803010	SCREW,MACHINE	6		M3X8	590372		
79	90303520301	WASHER,PLAIN	2		3	590372		
91	42272362104	COVER	1			590400		
92	42272362203	COVER	1			590400		
100	42272362010	PLATE	4		T=0.5	590402		
101	42272362020	PLATE	1		T=0.5	590402		
102	42272362030	PLATE	1		T=0.5	590402		

AT-147-3 43010100071 UPPER

Pos No.	Parts No	Parts Name	Qty	Unit	Technical Data	Serial No (Start)	Serial No (End)	Remarks	Pages
1	42505350000	COVER (RACK,B)	1						

CLICK HERE TO **DOWNLOAD** THE COMPLETE MANUAL

- Thank you very much for reading the preview of the manual.
- You can download the complete manual from: www.heydownloads.com by clicking the link below



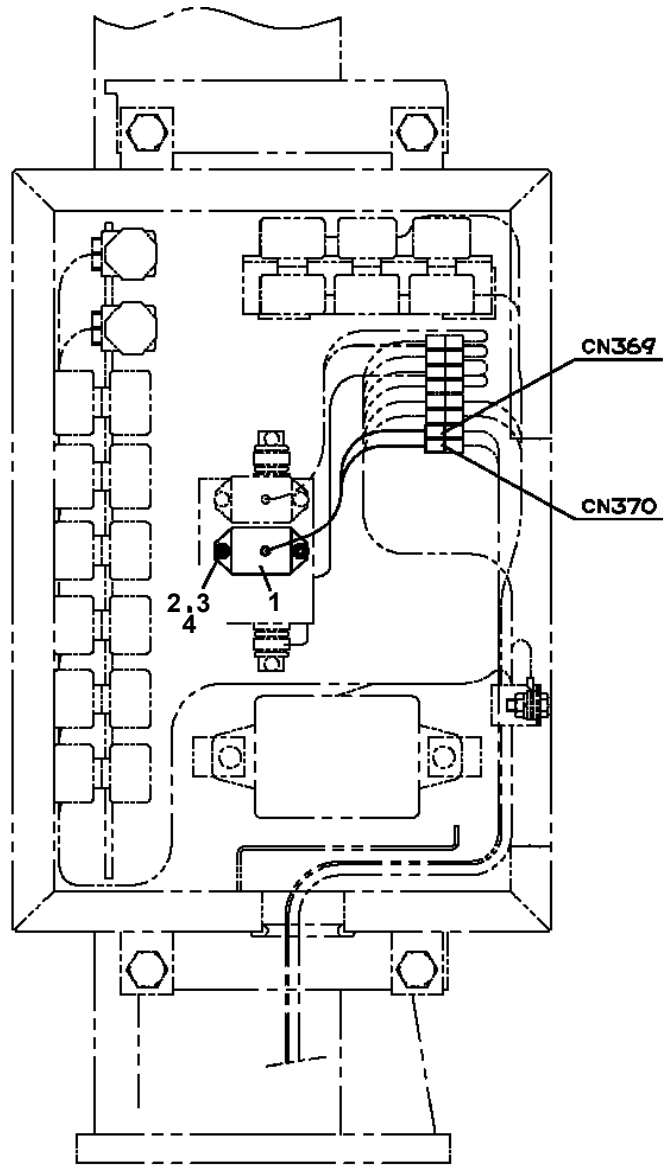
- Please note: If there is no response to CLICKING the link, please download this PDF first and then click on it.

CLICK HERE TO **DOWNLOAD** THE COMPLETE MANUAL

AT-147-3 43010100071 UPPER

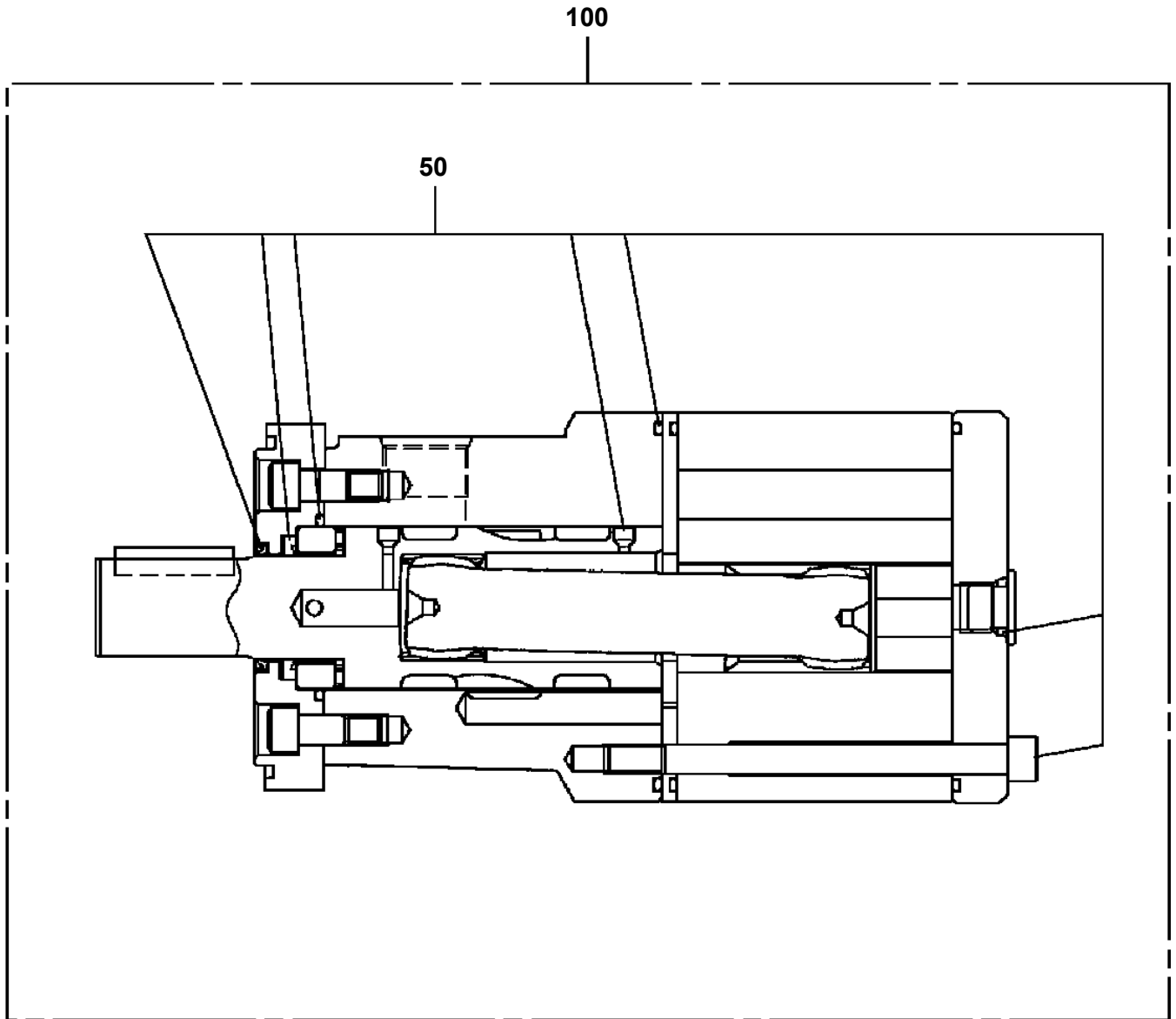
Pos No.	Parts No	Parts Name	Qty	Unit	Technical Data	Serial No (Start)	Serial No (End)	Remarks	Pages
1	42331947510	SHAFT	1						
2	42330037771	POTENTIOMETER	3						
3	42331947530	FLANGE	1						
4	42331947540	SLIDER	1						
5	42331947550	SLIDER	1						
6	42331947560	SPRING	2						
7	42331947570	BUSHING	1						
8	42331947580	FRAME	1						
9	42331947590	PLATE	2						
10	42331947600	ARM	2						
11	42331947610	LEVER	4						
12	42331947620	ARM	2						
13	42331947630	BEARING	1						
14	42331947640	BEARING	1						
15	42331947650	BEARING	1						
16	42331947660	LEVER	2						
17	42331947670	PLATE	1						
18	42331947680	PLATE	2						
19	42331947690	HOLDER	3						
20	42331947700	SHAFT	2						
21	42331947710	SPACER	4						
22	42331947720	CLAMP	2						
23	42331947730	CLAMP	1						
25	42331947750	SPACER	2						
26	42331947760	SPACER	2						
27	42331947770	SPACER	1						
28	42331947780	PIN	1						
29	42331947790	STOPPER	1						
30	42331947800	LEVER	1						
31	42331947810	LEVER	1						
32	42331947820	BOX	1						
33	42331247660	BOARD	1						
35	42331947830	PLATE	3						
36	42331947840	PLATE	1						
37	42331947850	WASHER,PLAIN	2						
38	42331947860	GRIP	1						
39	42331947870	CAP	1						
40	42331947880	SHAFT	1						
41	42331947890	SHIM	1						
42	42331947900	GRIP	1						
43	42331947910	CUSHION	1						
44	42331247720	SWITCH,LEAD	3						
45	42331947930	SHIM	3						
46	91001100300	O-RING	1		1A P3				
47	91001101600	O-RING	1		1A P16				
48	91001204000	O-RING	1		1A G40				
49	42331947950	SPRING	1						
61	42331947940	BOOT ASSY	1						
100	42331942000	LEVER,CONTROL	1						

**AT-147-3 43010100071 UPPER
PM5150180-00 MODIFICATION ASSY**

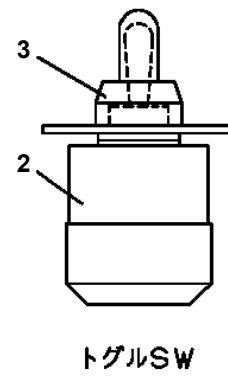
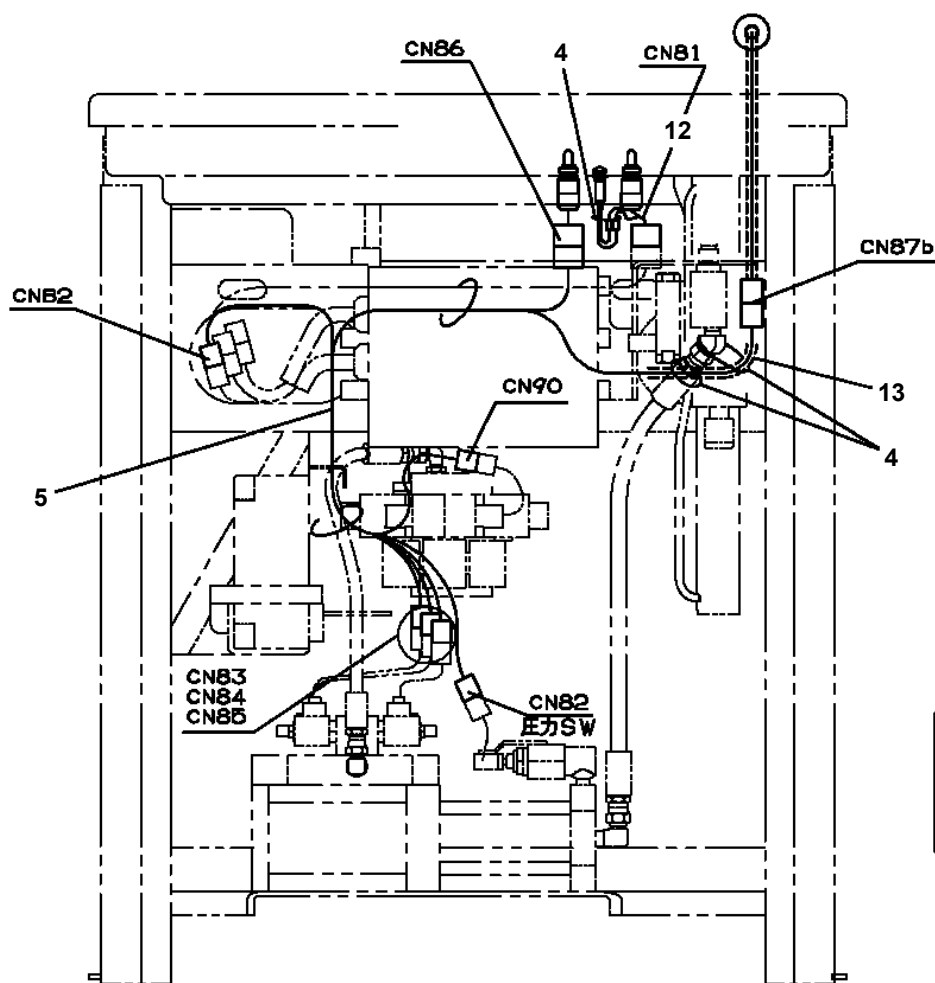
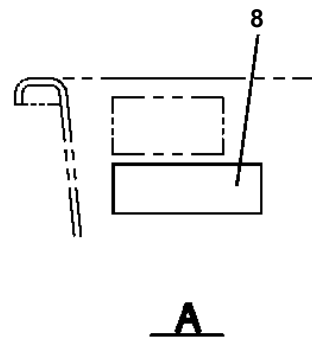
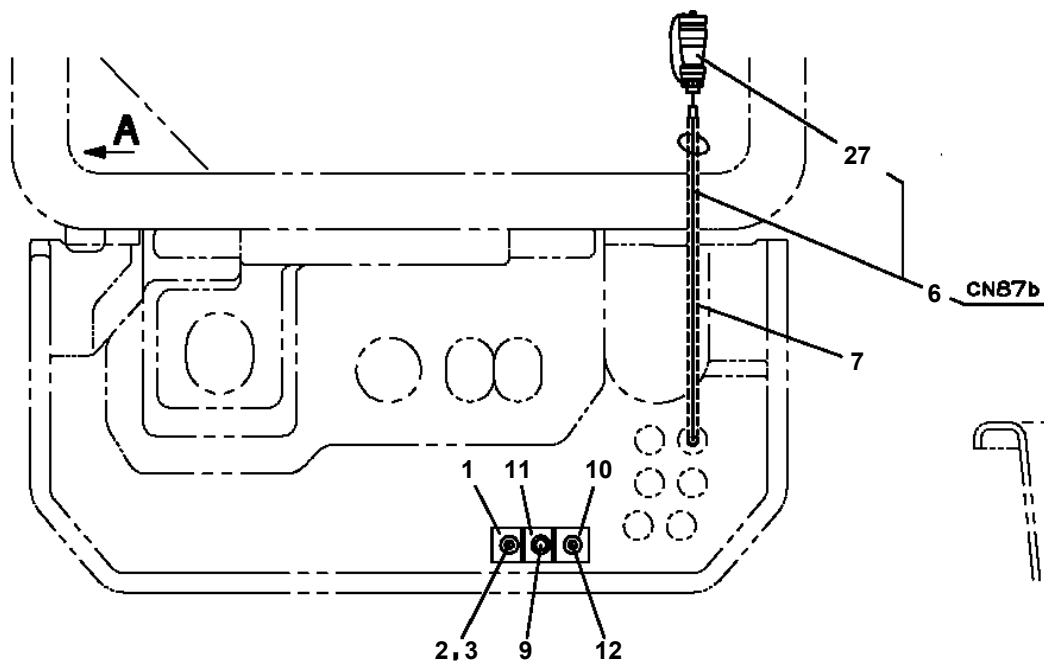


INSIDE OF RELAY BOX

AT-147-3 43010100071 UPPER
PM5210010-00 MOTOR ASSY,OIL

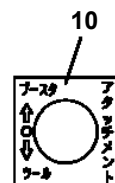


AT-147-3 43010100071 UPPER
PN1014747-01 ELEC.ASSY

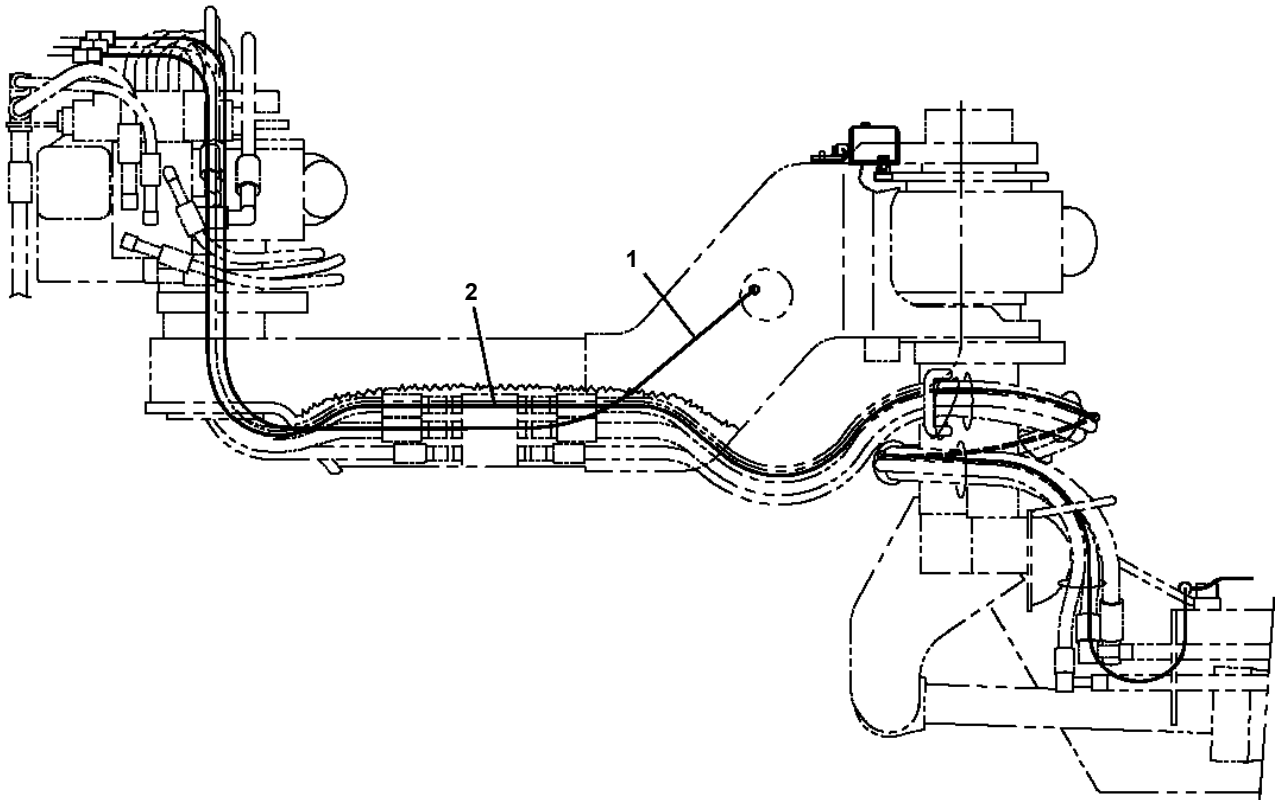
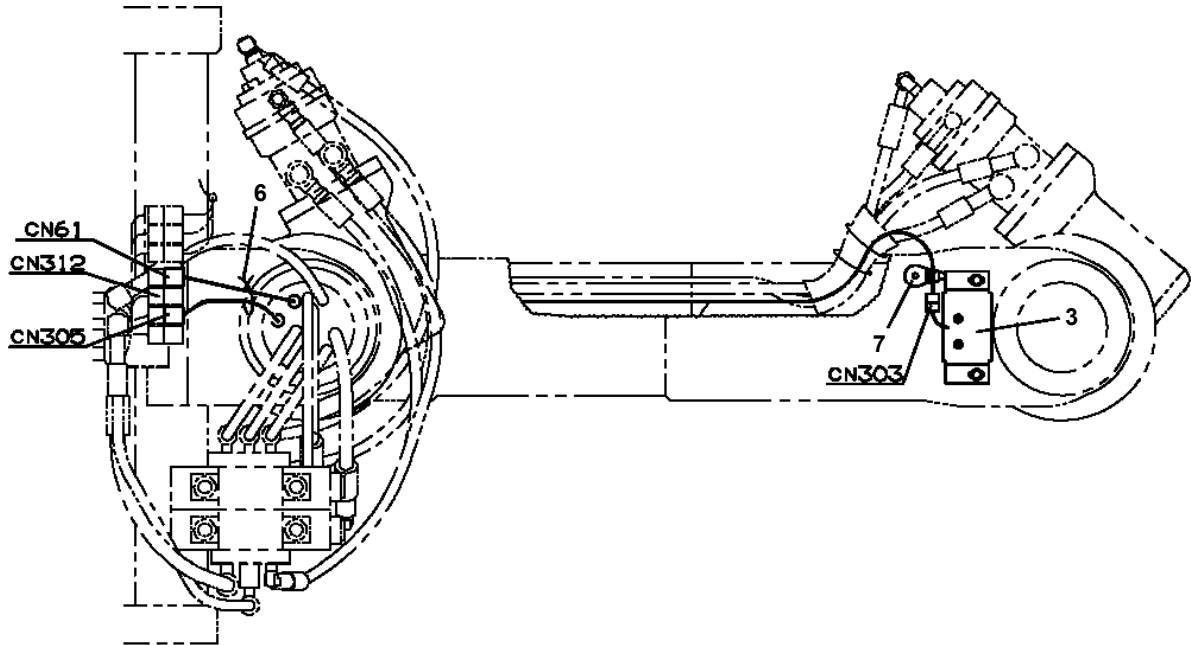


△警告/プースタ操作

- 圧縮機およびカットの作動部分には指を入れしないでください。
- 圧縮機のダイヤルまたはカットの交換は、必ずアタッチメントレバー（スイッチ）を中立位置にして行ってください。



AT-147-3 43010100071 UPPER
PN1015023-00 ELEC.ASSY (ARM)



AT-147-3 43010100071 UPPER

Pos No.	Parts No	Parts Name	Qty	Unit	Technical Data	Serial No (Start)	Serial No (End)	Remarks	Pages
1	42502900021	HARNESS	1						000230
2	91810130240	FASTENER	5						
3	42502900010	PLATE,NAME	1						
4	42473740030	LAMP ASSY	1						
5	80172305020	SCREW,MACHINE	2		M5X20				
6	90302040501	WASHER,SPRING	2		5				
7	90303070501	WASHER,PLAIN	2		5				
8	90201200500	NUT	2		M5				

AT-147-3 43010100071 UPPER

Pos No.	Parts No	Parts Name	Qty	Unit	Technical Data	Serial No (Start)	Serial No (End)	Remarks	Pages
1	42356443551	CASE	1						
2	42356443600	COVER	1						
3	42355192100	PLATE	1						
4	42351693500	RELAY ASSY	2						
5	42355192200	HARNESS	1						
6	80174303010	SCREW,MACHINE	6		M3X10				
8	90302040301	WASHER,SPRING	10		3				
9	91810132530	FASTENER	2						
10	80182306012	SCREW,MACHINE	6		M6X12				
12	90302040601	WASHER,SPRING	6		6				
13	82400000201	GROMMET	1		KG-016				
14	80174303006	SCREW,MACHINE	4		M3X6				
100	42356443501	RELAY BOX	1						000134

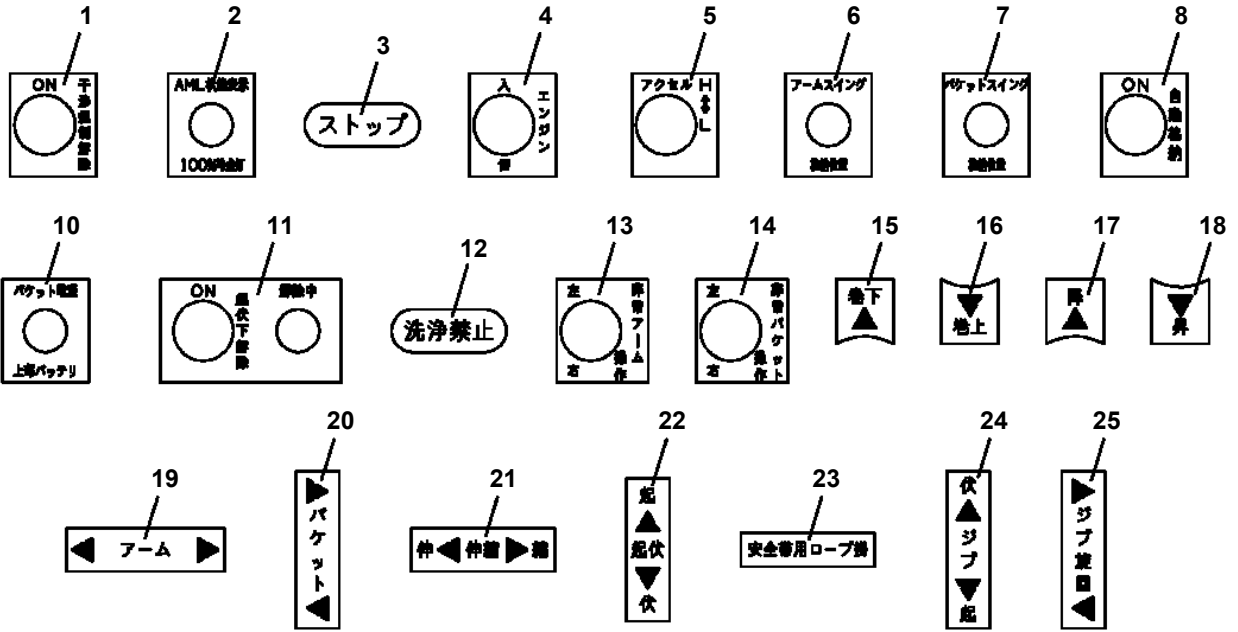
AT-147-3 43010100071 UPPER

Pos No.	Parts No	Parts Name	Qty	Unit	Technical Data	Serial No (Start)	Serial No (End)	Remarks
2	42356377510	COVER	1					
3	42356377520	SCREW	12		M4X8			
4	42356377530	WASHER	12		M4			
5	42356377540	HARNESS	1					
6	42356377550	HARNESS	1					
7	42356377560	COVER	2					
8	42356377570	SCREW	4		M3X4			
9	42357167510	BOARD,POWER	1					
11	42356371170	BOARD ASSY	1					
12	42356377580	SEAT (SILICONE)	1					
13	42356377590	SEAT (SILICONE)	1					
15	42356377600	SPACER	9					
16	42356377610	SCREW	24		M3X6			
21	42357167530	BOARD,CPU (WITH DATA)	1					
	42357167540	BOARD,CPU (WITH DATA)	1			590480	590479	
100	42357161000	TRANSMITTER,SIGNAL	1					

AT-147-3 43010100071 UPPER

Pos No.	Parts No	Parts Name	Qty	Unit	Technical Data	Serial No (Start)	Serial No (End)	Remarks	Pages
32	34351562510	BOX,FUSE	1						
33	82100001841	FUSE	3		20A,YELLOW				
35	82100001839	FUSE	7		10A.RED				
48	82161202010	RELAY	2						
52	82100001836	FUSE	2		3A				
55	82100001840	FUSE	2		15A,BLUE				
100	42654360100	HARNESS (MAIN)	1						

AT-147-3 43010100071 UPPER PN5010294-00 NAME PLATE ASSY (BUCKET)



注意
スイング動作（昇降動作）時にはカバーとウィンチとの接触に注意してください。

注意 / バケット電源
○バッテリー電圧が低下した場合、電圧表示灯が点滅します。その後、さらに電圧が低下すると電圧警告ブザーが鳴ります。
○この場合にはバッテリーを充電してください。

警告 / 使用上の注意

- 本機の運転は高所作業車取扱要領遵守者に限られます。
- 取扱説明書をよく読み、操作および取扱い方法を理解してから使用してください。
- 作業開始前点検を実施してください。
- ヘルメット・安全帯を着用してください。
- 積荷重量を守ってください。
- 作業中以外で作業しないでください。
- 強風・雷などの悪天候時には作業しないでください。

警告
火気厳禁

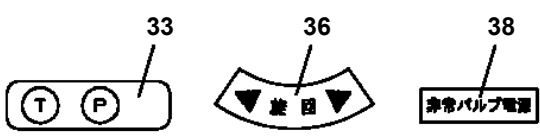
自動格納方法
ブームを起伏角12°以上にしてください。その後、自動格納スイッチをONに保持してください。バケット・アームスイング、バケット降、巻小（起こし）、巻戻、伏せの順にブームが格納されます。旋回角度が格納位置に近い場合、一旦巻戻方向と逆の方向に旋回した後、巻戻方向に旋回します。

警告
ブームレストにブームが格納された状態では、過負荷防止装置は働きません。転倒の恐れがありますので、ブーム延長操作およびウィンチによるつり上げ作業を行わないでください。

起伏下解除方法
AMC（過負荷防止装置）が作動して、ブームの作動が自動停止したとき、ブーム及びアーム・バケットが次の状態にある場合に、起伏下解除スイッチを「ON」にしながら操作を行うと、ブーム起伏下げ及び巻戻操作を行うことができます。
条件・ブーム全降
・バケット積荷重量が250kg以下であるとき
・バケット・アーム位置が右側位置付近であるとき

注意
ウィンチ吊上げ作業は、下図のジブスイング範囲で使用してください。

注意 / バケット傾斜
○バケットが前後に3°以上傾いたときはバケットの水平調整をしてください。
○外気温が低下すると起伏操作時にバケットの液径が凝って傾斜が大きくなる場合があります。このときはバケットを一旦上げて、下げ操作で水平に調整してください。



警告 / 挟まれ注意
○バケットをバケットレストに格納時、パネルとバケットの隙間が狭くなることあるので、手を挟まれないようご注意ください。

AT-147-3 43010100071 UPPER

Pos No.	Parts No	Parts Name	Qty	Unit	Technical Data	Serial No (Start)	Serial No (End)	Remarks	Pages
1	37002227800	PLATE,CAUTION	1						

AT-147-3 43010100071 UPPER

Pos No.	Parts No	Parts Name	Qty	Unit	Technical Data	Serial No (Start)	Serial No (End)	Remarks	Pages
1	42391164010	PLATE,NAME	1						
2	42398322010	PLATE,NAME	1						
3	42398322020	PLATE,NAME	1						
4	42398322030	PLATE,NAME	1						
5	42393204010	PLATE,NAME	1						
6	42398322060	PLATE,NAME	1						
7	42398322050	PLATE,NAME	1						

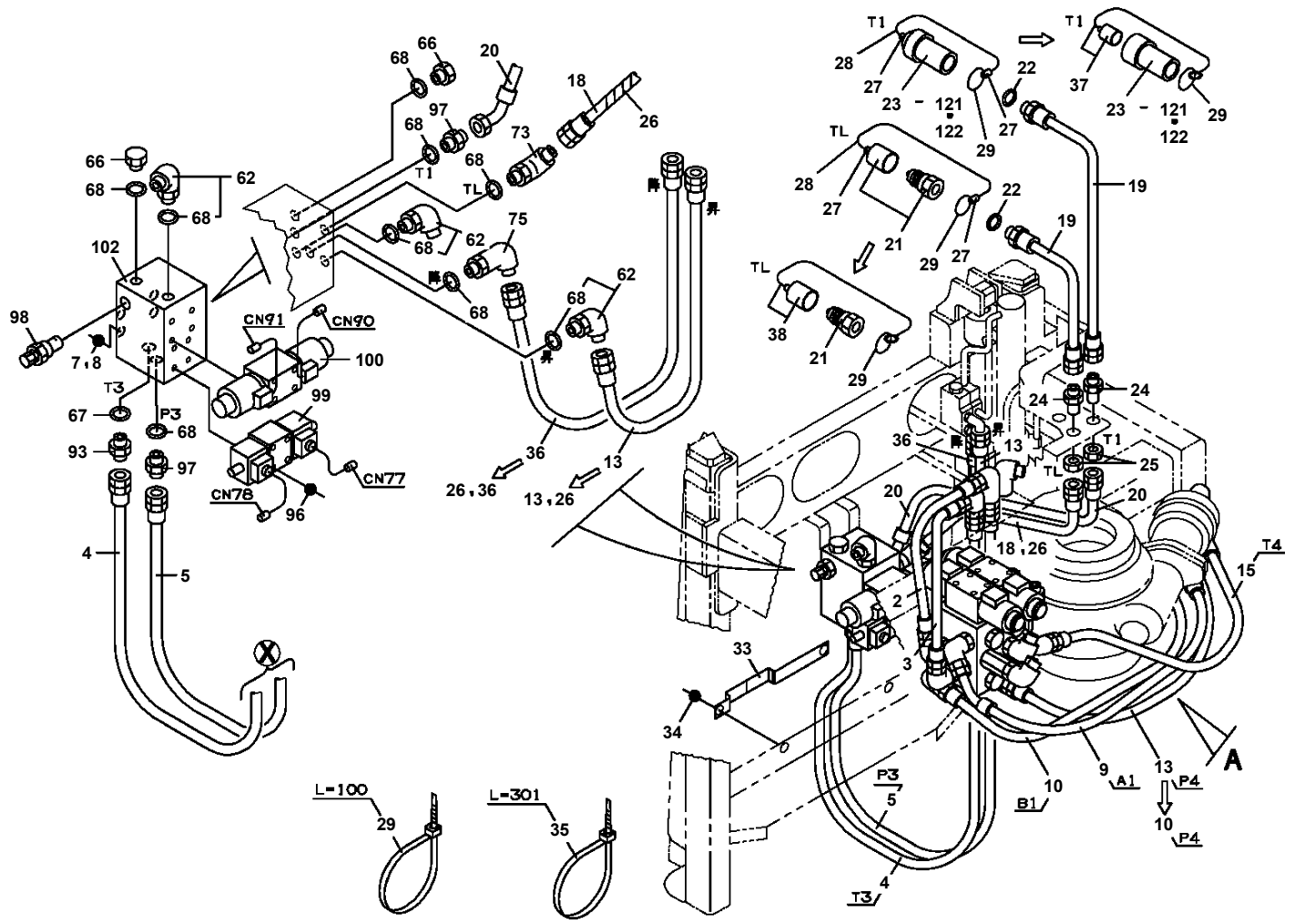
AT-147-3 43010100071 UPPER

Pos No.	Parts No	Parts Name	Qty	Unit	Technical Data	Serial No (Start)	Serial No (End)	Rema
20	42332677560	SPRING	1					
25	42332677520	PLUG	1					
26	42332677530	BOOT	1					
36	42332677590	STOPPER	1					
41	42332677600	SPRING	2					
45	42332677610	COVER	1					
46	42332677620	CAP	1					
53	42332677630	BEARING	2					
54	42332677540	SPRING	1					
55	42332677650	SPRING	2					
61	42332677660	WASHER	1					
100	42332672003	OPE.ASSY (LEVER,CONTROL)	1					

AT-147-3 43010100071 UPPER

Pos No.	Parts No	Parts Name	Qty	Unit	Technical Data	Serial No (Start)	Serial No (End)	Remarks	Pa
2	42470721010	JOINT	2				590453		
	37000933940	JOINT	2			590454			
3	42470721301	PRUNER	1						
4	80456020410	JOINT,SELF SEALING	1						
5	80456010410	JOINT,SELF SEALING	1						
6	42470721200	HOSE ASSY	1						
7	42470721100	COVER	1						
8	91000590800	O-RING	2		AS568-908	590454			
21	42470727530	CAP (DUST)	1						
24	42470727540	CAP (DUST)	1						
26	42470727520	CAP (DUST)	1						
27	42470727510	CAP (DUST)	1						
51	42340017540	CAP	1						
61	42340017530	CAP	1						

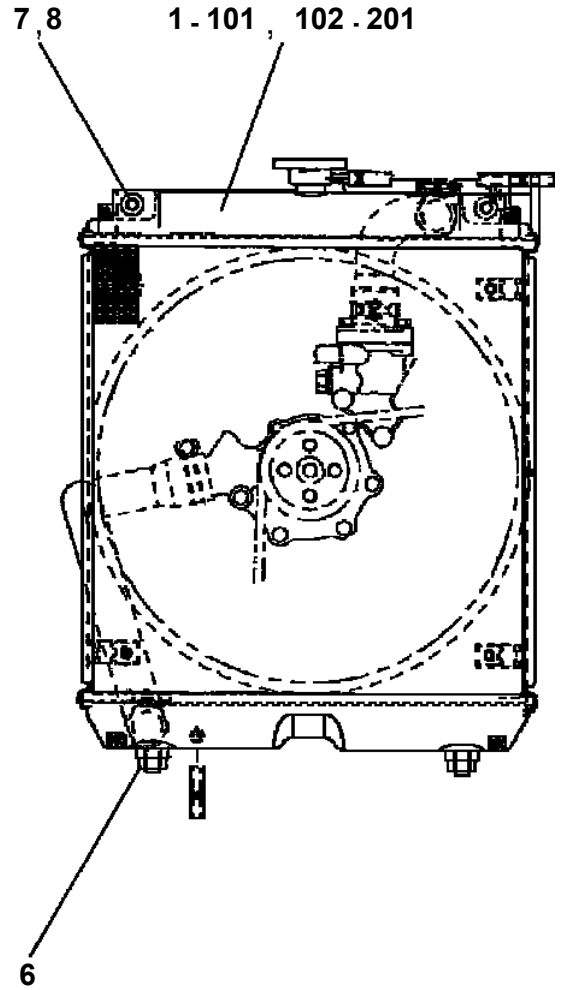
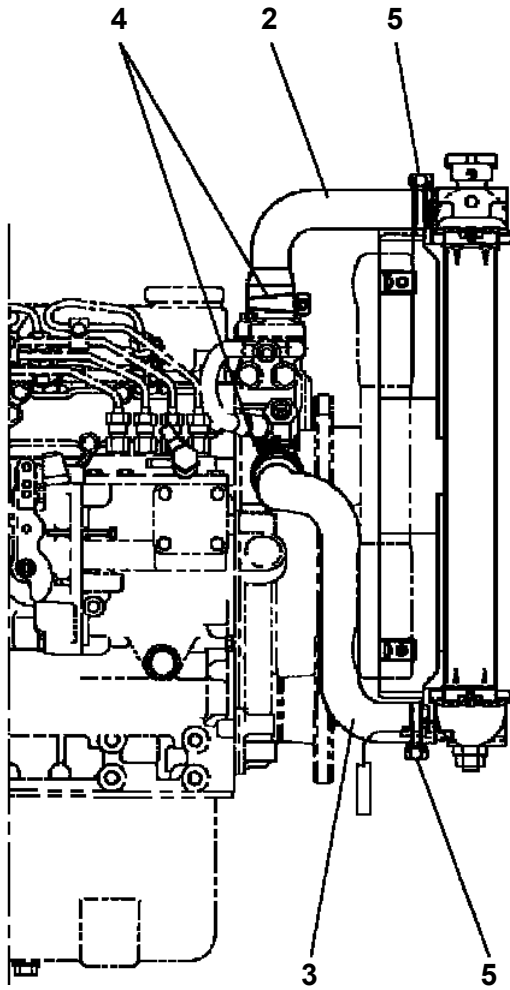
**AT-147-3 43010100071 UPPER
PP6080006-03 PIPING ASSY,BUCKET**



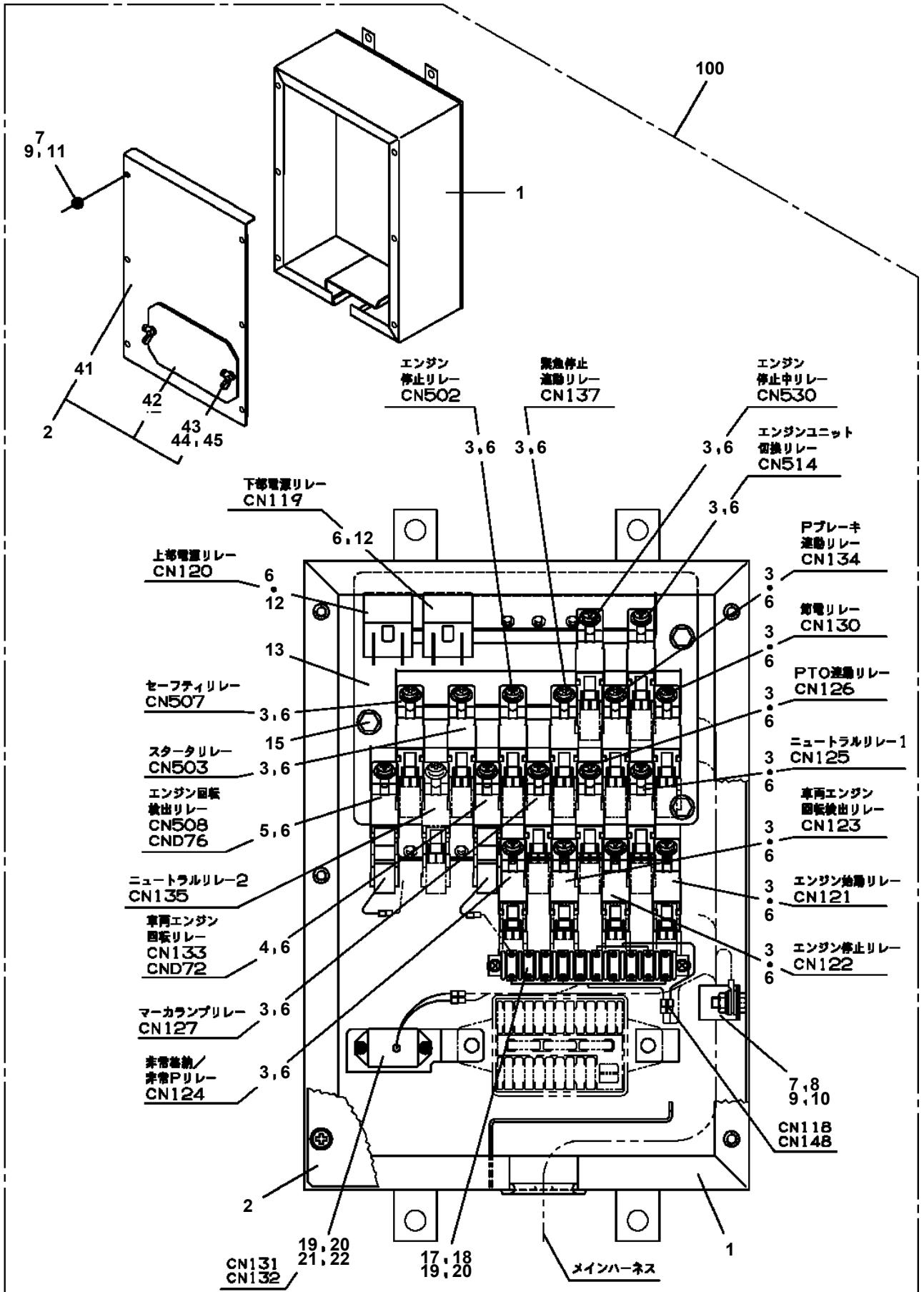
AT-147-3 43010100071 UPPER

Pos No.	Parts No	Parts Name	Qty	Unit	Technical Data	Serial No (Start)	Serial No (End)	Re
4	90101210035	BOLT	3		M10X35			
5	90302041001	WASHER,SPRING	7		10			
6	90101208065	BOLT	2		M8X65			
7	90302040801	WASHER,SPRING	8		8			
8	37002402610	HOSE	2		L=1980			
9	80481103030	JOINT	1		L,G3/8-G3/8			
10	80492006061	FILTER (WITH O-RING)	1					
11	90101210085	BOLT	2		M10X85			
12	37002452740	HOSE	1		L=1000			
13	90101210065	BOLT	2		M10X65			
14	80441030604	FITTING,ELBOW	2					
15	37000908730	JOINT (WITH O-RING)	2		L,G3/8-G1/4			
16	37002416380	HOSE	1		L=1980			
17	37000300740	SLEEVE	3		18-12			
18	91002801800	O-RING	2		1B P18			
19	80430620400	JOINT	1					
20	37002401610	HOSE	1		L=800			
21	37002489550	HOSE	1		L=2090			
22	91002801100	O-RING	2		1B P11			
23	37002488320	HOSE	1		L=450		590430	
	37002418450	HOSE	1		L=450	590431		
24	37002489560	HOSE	1		L=1600		590430	
	37002418480	HOSE	1		L=1600	590431		
25	37002489570	HOSE	2		L=1790		590430	
	37002418490	HOSE	2		L=1790	590431		
27	91810132530	FASTENER	20					
28	37002411640	HOSE	1		L=750			
29	80420026061	FILTER (WITH O-RING)	1					
30	37002489600	HOSE	1		L=1140			
31	80400160128	JOINT	1		S,G3/8-G1/4			
32	89640201000	HOSE	1		660-NFK,1M			
33	80400160131	JOINT	2					
34	91002801400	O-RING	5		1B P14			
35	37002489630	HOSE	1		L=1320			
36	80400160127	JOINT	1					
37	37002489610	HOSE	1		L=2200			
38	80400160129	JOINT	2			590394		
39	37002411650	HOSE	1		L=850			
40	37002489580	HOSE	1		L=850			
41	37002459240	HOSE	1		L=940			
42	37000925950	JOINT	1		S,G1/4-G1/4			
43	37002488330	HOSE	1		L=470		590430	
	37002418500	HOSE	1		L=470	590431		
45	82100001819	TUBE,SPIRAL	2	M	SE-18BK			
46	37000714040	CLAMP ASSY	3		18X2			
47	37002489640	HOSE	1		L=2030			
48	82100002017	CLAMP	2		WR30			
49	90201200800	NUT	4		M8			
50	37002488310	HOSE	1		L=1670		590430	
	37002418510	HOSE	1		L=1670	590431		
52	42346840600	GUIDE	1					
53	42346840700	GUIDE	1					
54	37000714881	CLAMP ASSY	1					
55	37002489650	HOSE	1		L=1070			
56	37002489540	HOSE	1		L=1850			
57	37000714030	CLAMP ASSY	1		18X1			
58	82100001411	TUBE,SPIRAL	2	M	SE-08BK			
59	37000714240	CLAMP ASSY	1					
60	90101208012	BOLT	2		M8X12			
61	80456460600	JOINT,SELF SEALING (SOCKET)	1					
81	36741510000	VALVE,CONTROL	1					
82	80400160130	JOINT	3		S,G1/2-G3/8		590430	
83	80400160176	JOINT	3		S,G1/2-1/4		590430	

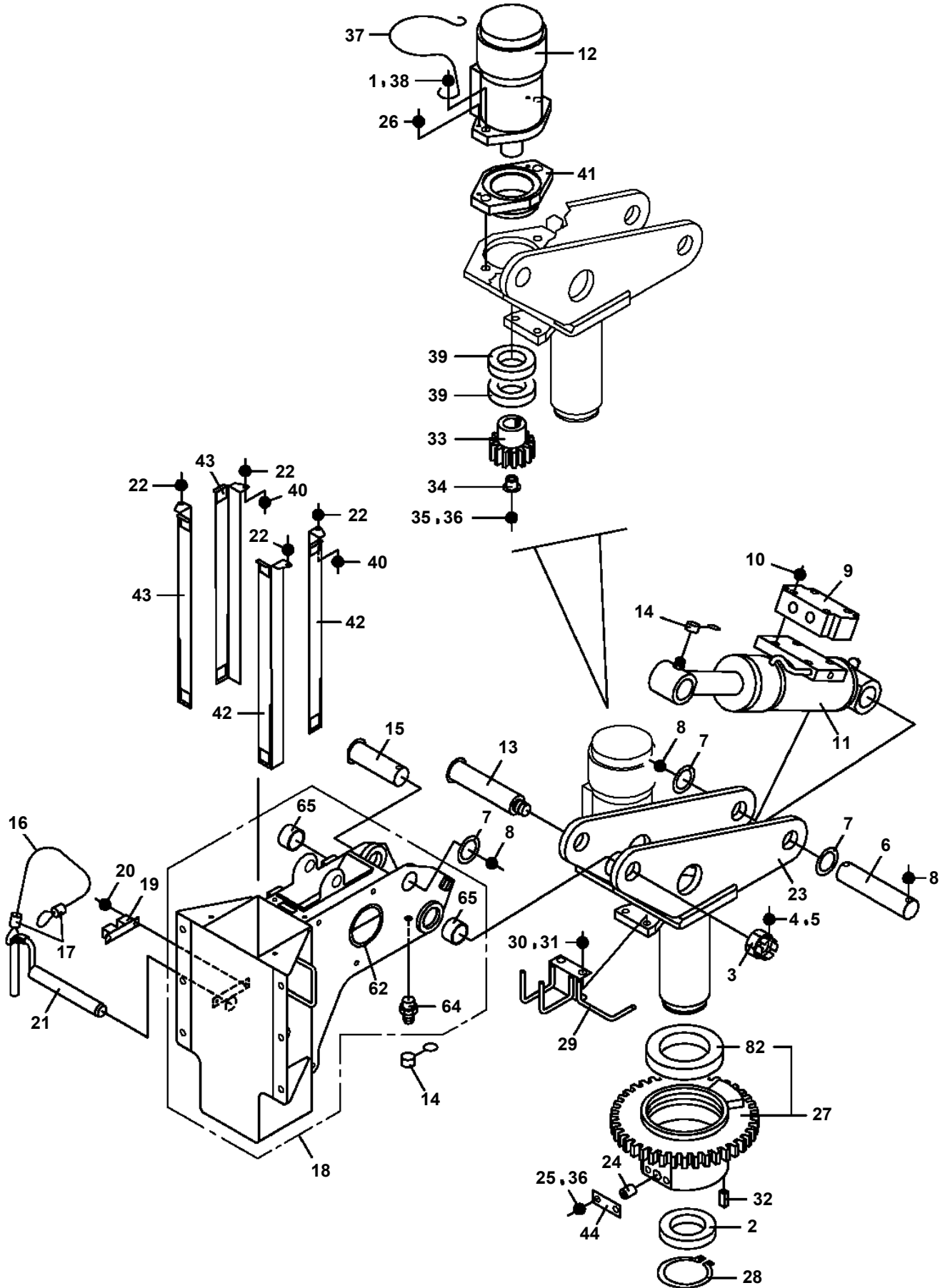
**AT-147-3 43010100071 UPPER
PR5020008-00 RADIATOR ASSY**



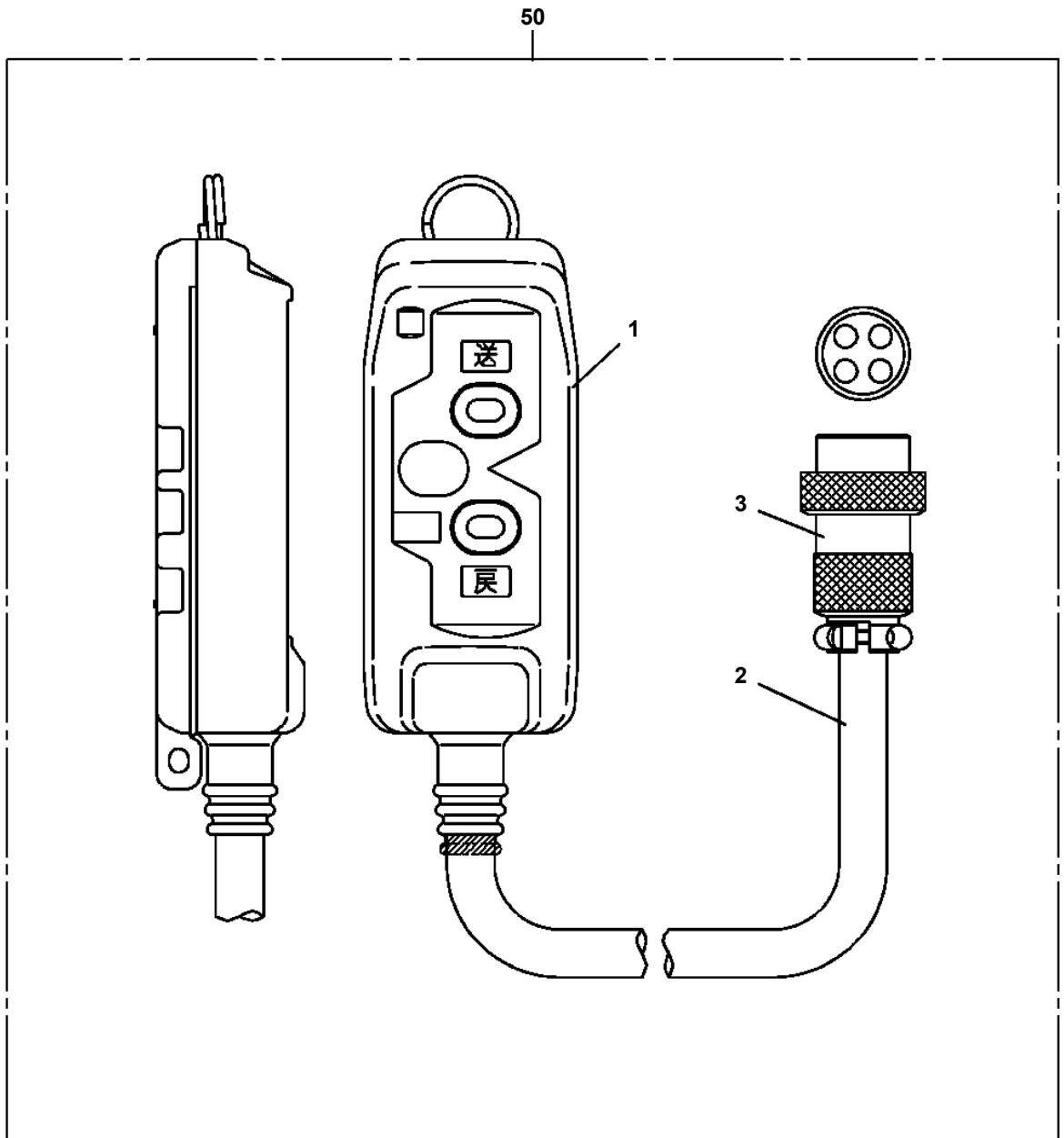
AT-147-3 43010100071 UPPER
PR5100072-00 RELAY BOX ASSY



**AT-147-3 43010100071 UPPER
PS5420081-00 SUPPORT ASSY (WINCH,JIB)**

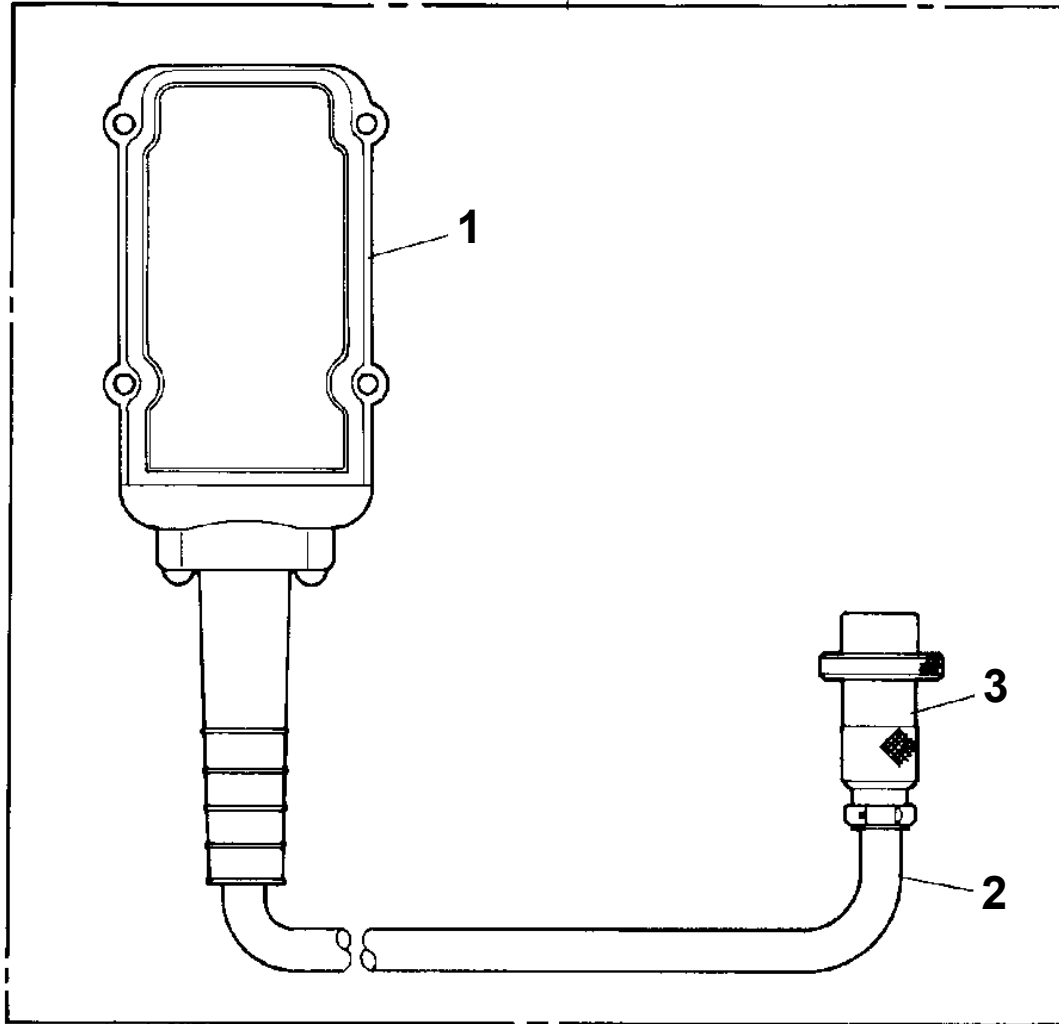


AT-147-3 43010100071 UPPER
PS5530117-00 SWITCH ASSY (ELEC.BOOSTER, REMOTE:2M,NANABOSI,KASUGA)

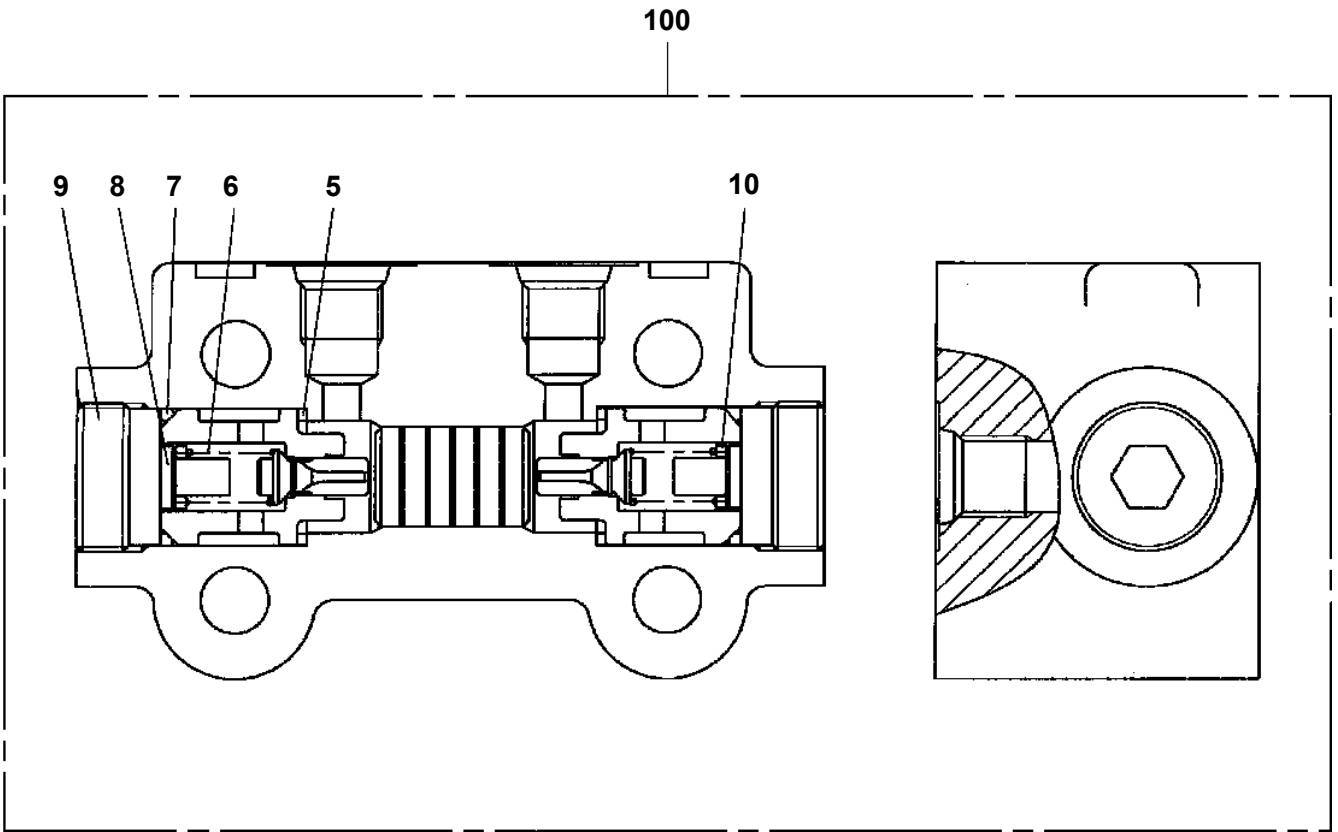


**AT-147-3 43010100071 UPPER
PV1030001-00 SWITCH BOX (FOR BOOSTER)**

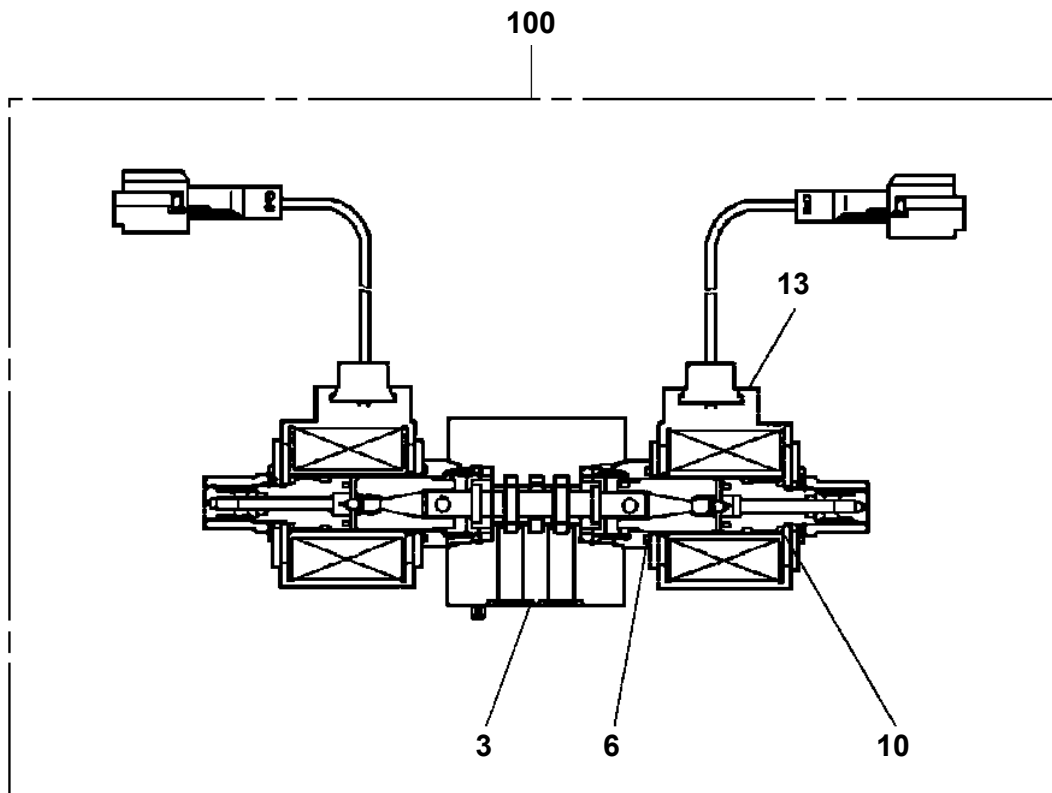
10



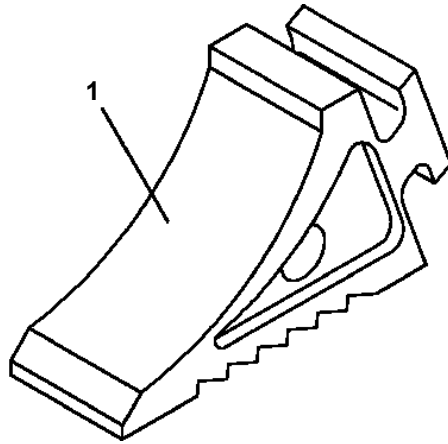
**AT-147-3 43010100071 UPPER
PV5040021-00 VALVE ASSY,CHECK**



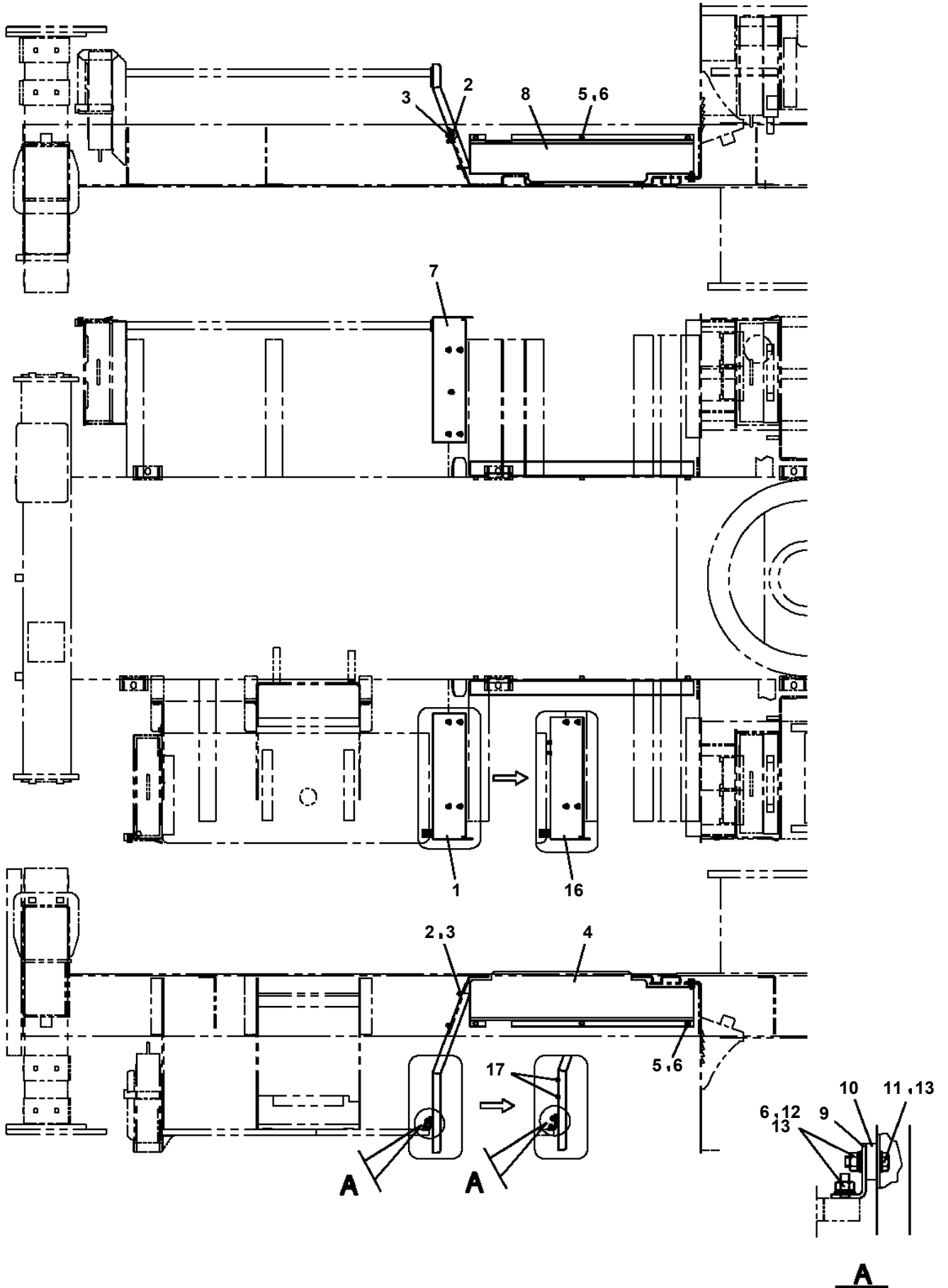
**AT-147-3 43010100071 UPPER
PV5240020-00 VALVE ASSY,SOLENOID**



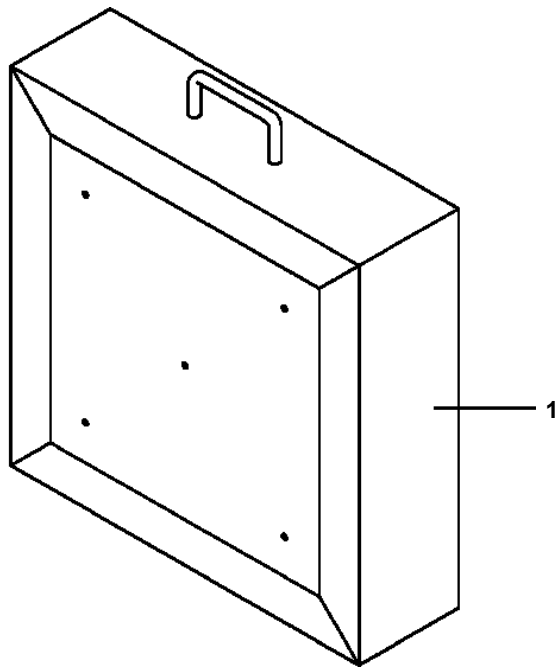
**AT-147-3 43010100071 UPPER
PW1050018-01 WEDGE (STOPPER FOR TIRE/JUSTIN)**



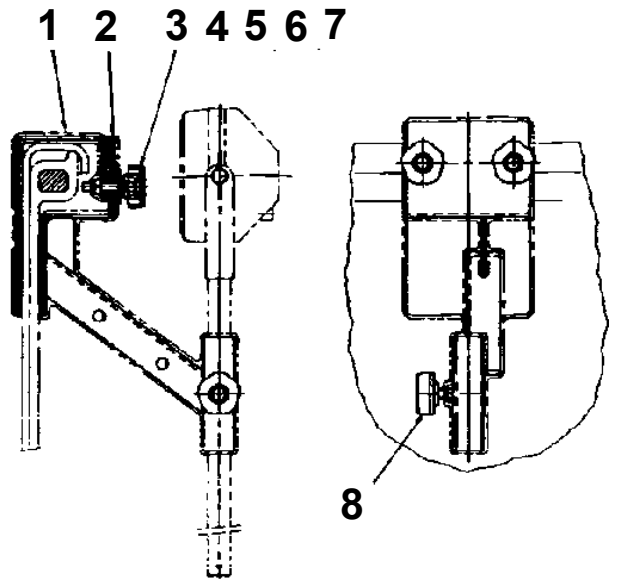
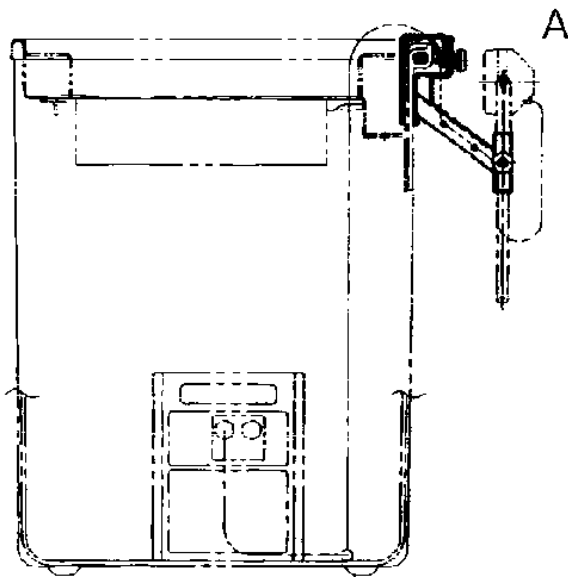
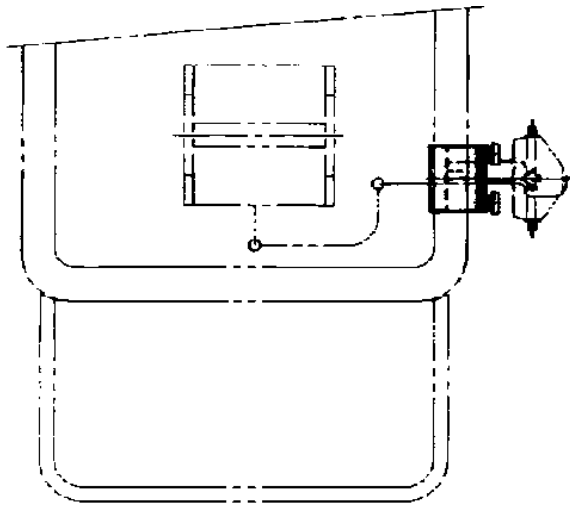
AT-147-3 43010100071 UPPER
PX1030696-01 FENDER



**AT-147-3 43010100071 UPPER
PX1270125-00 WOOD BLOCK (WITH RUBBER,T=100)**



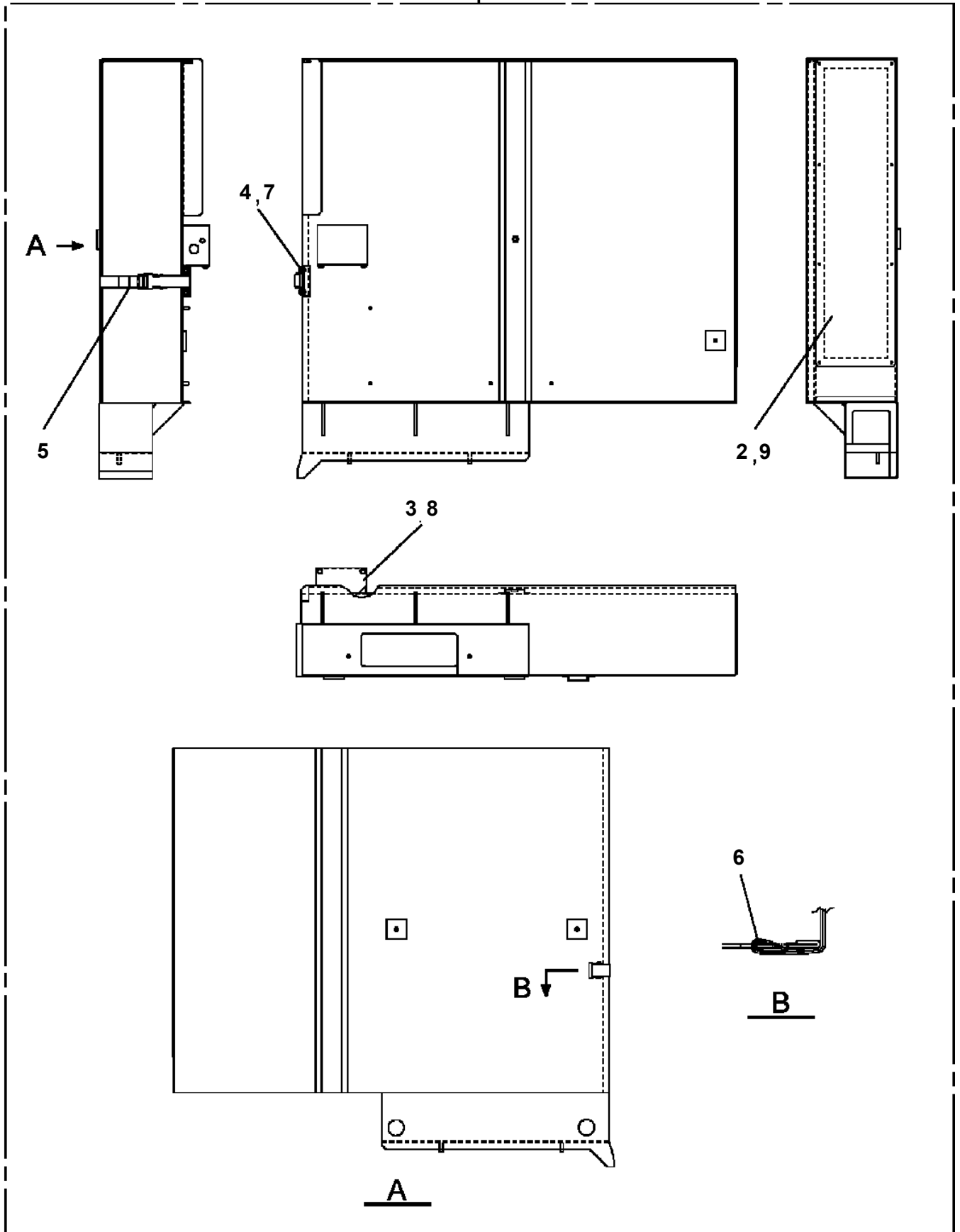
**AT-147-3 43010100071 UPPER
PX1310050-00 MOUNT,LAMP (BUCKET,FOR NTT,OPTION)**



A

AT-147-3 43010100071 UPPER
PX1351309-00 BOX, TOOL

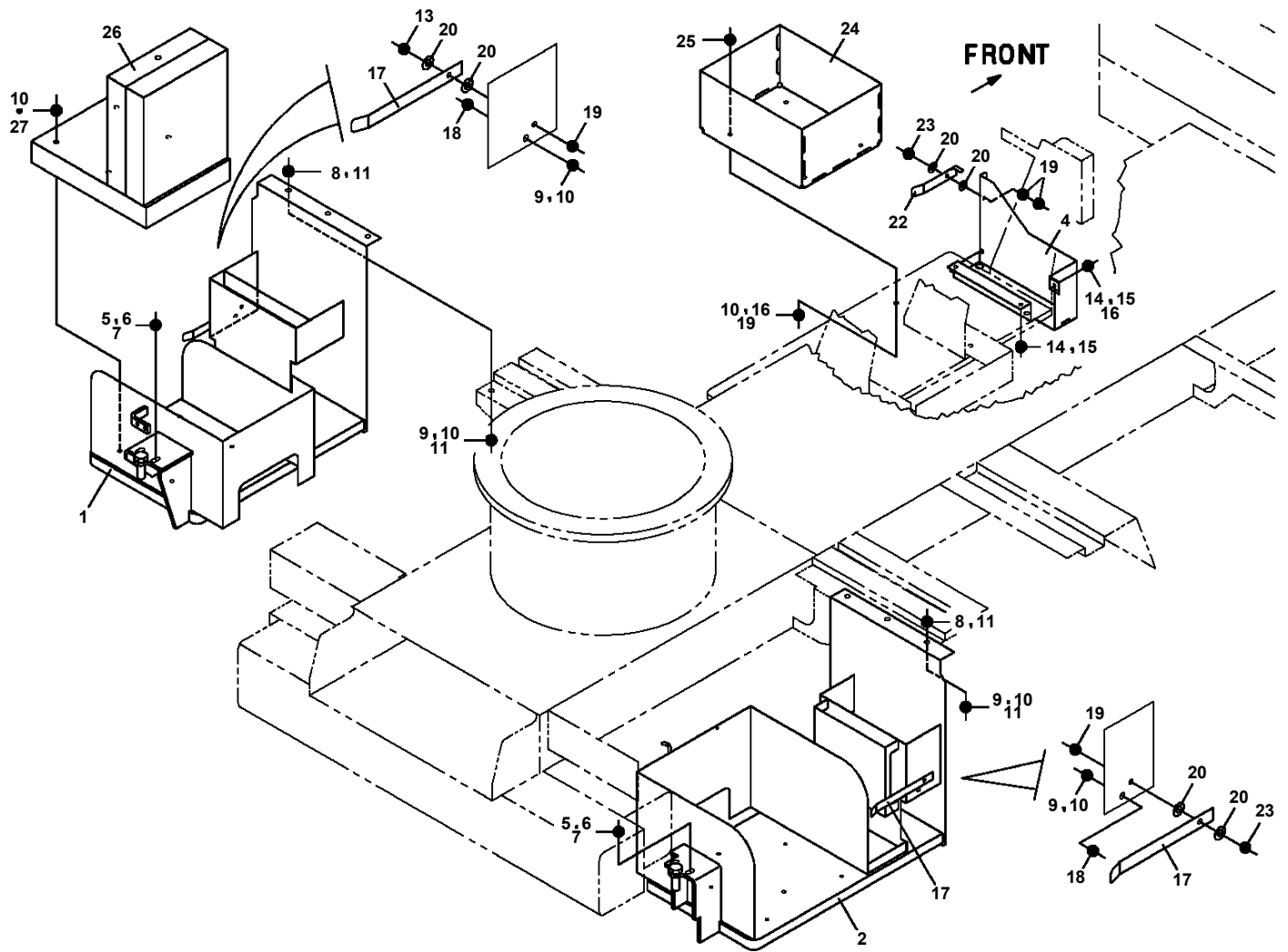
100



AT-147-3 43010100071 UPPER

Pos No.	Parts No	Parts Name	Qty	Unit	Technical Data	Serial No (Start)	Serial No (End)	Remarks
1	42422267510	BODY (RUBBER)	1					
3	42422267520	BOLT,HEXAGON SOCKET	6		M12X35			
5	80720105010	PIN,SPRING	6		5X10			
100	42422261810	COUPLING	1					

**AT-147-3 43010100071 UPPER
PX5650018-00 MOUNT ASSY,SIDE GUARD**



AT-147-3 43010100071 UPPER

Pos No.	Parts No	Parts Name	Qty	Unit	Technical Data	Serial No (Start)	Serial No (End)	Remarks	Pages
1	42837602000	BOX,TOOL	1						00032
2	42837601100	SUPPORT	1						
3	90186208014	BOLT,FLANGE	2		M8X14				
4	42836981100	STEP	1						
6	90101212022	BOLT	4		M12X22				
7	90302041201	WASHER,SPRING	4		12				
8	90101210025	BOLT	9		M10X25				
9	90302041001	WASHER,SPRING	11		10				
11	82400000528	GROMMET	2						
12	90101208016	BOLT	4		M8X16				
13	90302040801	WASHER,SPRING	11		8				
14	82401800060	PLUG (FOR M6)	10						
15	42836401200	STEP	1						
31	42837605100	SUPPORT	1						
32	42835795200	SUPPORT	1						
34	90101210035	BOLT	2		M10X35				
36	90101208025	BOLT	2		M8X25				
38	90303071001	WASHER,PLAIN	3		10				
40	42837605200	FENDER	1						
41	37000505950	PLATE	12		T=3.2				
42	42837605300	SUPPORT	1						
43	37000506530	PLATE	4		T=4.5				
44	90201200800	NUT	5		M8				
45	90201201000	NUT	2		M10				
46	37000517380	PLATE	4		T=2.3 TO 3.2				
47	37000581940	PLATE	4		T=0.5				
61	42394484020	PLATE (NON-SLIP)	7						
62	42833782010	PLATE (NON-SLIP)	4						
63	89730000010	TAPE	1						
81	42394484010	PLATE (NON-SLIP)	1						
82	42393891070	PLATE (NON-SLIP)	1						
83	42393891060	PLATE (NON-SLIP)	2						
84	42396552010	PLATE (NON-SLIP)	1						
85	42397246020	PLATE (NON-SLIP)	1						
203	(***** *****)	BOX,TOOL	1						00032

AT-147-3 43010100071 UPPER

Pos No.	Parts No	Parts Name	Qty	Unit	Technical Data	Se
60	(*****)	MOUNT,LAMP (BUCKET,FOR NTT,OPTION)	1			
61	(*****)	PUMP,GREASE (400CC)	1			
62	42473401000	TOOLS	1			
63	91991601013	ACCESSORIES (WRENCH)	1			
64	42461681000	WEDGE (YELLOW)	1			
65	(*****)	WOOD BLOCK (W=350,H=80)	1			
	42738400000	WOOD BLOCK (WITH RUBBER,T=100)	1			
	42731680000	WOOD BLOCK (WITH RUBBER,T=80)	1			
66	42972410000	BLOCK,WOOD	1		T=150	
68	42972040000	WOOD BLOCK (KANDEN/DETACHABLE TYPE,B)	1			
	(*****)	WOOD BLOCK (KANDEN/DETACHABLE TYPE,L)	1			
69	(*****)	EARTHING DEVICE	1			
70	(*****)	CABLE	1			
71	(*****)	WINCH,JIB (FRP/INTEGRATED SUPPORT,GRAY)	1			
72	42501710000	BOX,TOOL	1			
73	(*****)	STEP (FOR ENTRY INTO CAB)	1			
74	(*****)	LAMP (REOVLVING LAMP)	1			
75	(*****)	EARTH ASSY	1			
	(*****)	EARTH ASSY (FOR LOCAL MOUNTING)	1			
76	42505360000	COVER (RACK,L)	1			59
	42505350000	COVER (RACK,B)	1			
87	42508320000	COVER ASSY (BACKET CONTROL)	1			
89	(*****)	ARM	1			59
92	(*****)	BATTERY ASSY (12V20AH/PANASONIC)	1			
	(*****)	BATTERY ASSY (12V28AH/PANASONIC)	1			
95	42510290000	CABLE ASSY (PC CONNECTION CABLE)	1			
96	(*****)	ACCESSORIES (BUCKET INNER MAT)	1			59
97	42460012550	WEDGE (STOPPER FOR TIRE/JUSTIN)	1			59
98	42460821200	BLOCK,RUBBER (NAKAMURA)	1			59
99	(*****)	ARM ASSY	1			59
102	42973990100	SUPPORT (7 DEGREES ANGLE METER MOUNTING)	1			59
103	(*****)	JIB ASSY	1			

AT-147-3 43010100071 UPPER

Pos No.	Parts No	Parts Name	Qty	Unit	Technical Data	Serial No (Start)	Serial No (End)
1	42470367510	HOOK	1				
2	42470367520	CYLINDER	1				
3	42470367530	HOLDER (DIES)	1				
4	42470367540	STEM	1				
5	42470367550	SPRING (RETURN)	1				
6	42470367560	SEAT,SPRING	1				
7	42470367570	RING,STOP	1				
8	80720103006	PIN,SPRING	1		3X6		
9	91001104000	O-RING	1		1A P40		
10	42470367580	RING (B)	1				
12	42470367590	NOTCH	1				
13	42470367600	PIECE (B)	1				
14	42470367610	PIN (SCREW)	1				
15	42470367620	SPRING ASSY	1				
16	42470367630	PIECE (AL)	1				
17	42470367640	SPRING	1				
18	42470367650	KNOB	1				
19	80720102012	PIN,SPRING	1		2X12		
20	80720103008	PIN,SPRING	1		3X8		
21	42470367660	GUIDE	1				
22	90131505008	BOLT,HEXAGON SOCKET	1		M5X8		
23	90304110501	WASHER (LOCK)	1		5		
24	42470367670	SCRAPER	1				
25	42470367680	SPACER	1				
26	42470367690	BOLT,HEXAGON SOCKET	1				
27	42470367700	NIPPLE	1				
28	42470367710	JOINT,SELF SEALING (WITH CAP)	1				
29	42470367720	GRIP	1				
30	42470367730	PLATE,NAME	1				
31	42470367740	COVER (SAFETY)	1				
50	42470361000	CLAMP HEAD ASSY (SANWA,12TON)	1				

AT-147-3 43010100071 UPPER

Pos No.	Parts No	Parts Name	Qty	Unit	Technical Data	Serial No (Start)	Serial No (End)	F
1	42470530000	CUTTER HEAD (IZUMI 6.4TON AIR)	1					
2	42470537510	BOLT	2					
3	42470537520	NUT	2		M8			

AT-147-3 43010100071 UPPER

Pos No.	Parts No	Parts Name	Qty	Unit	Technical Data	Serial No (Start)	Serial No (End)	R
1	42470050000	ROPE (SAFETY,1.5M,WITH HOOK)	1					

AT-147-3 43010100071 UPPER

Pos No.	Parts No	Parts Name	Qty	Unit	Technical Data	Serial No (Start)	Serial No (End)	Remarks	Pages
1	42470121000	ARM ASSY	1						
2	42470122000	HOLDER	3						
3	42470123000	CLAMP ASSY	1						
4	42470044000	HOT STICK	1						
5	42476851000	SUPPORT	1						
6	90101216130	BOLT	1		M16X130				
7	90303071601	WASHER,PLAIN	2		16				
8	90201201600	NUT	2		M16				
9	42220011200	SUPPORT	1						
31	42470121100	ARM	1						
32	42470121200	CAP	2						

AT-147-3 43010100071 UPPER

Pos No.	Parts No	Parts Name	Qty	Unit	Technical Data	Serial No (Start)	Serial No (End)	Remarks
1	90101208016	BOLT	4		M8X16			
2	90302040801	WASHER,SPRING	4		8			
4	(*****)	BOOSTER	1					
5	37002459700	HOSE	1		L=1560			
6	37002413250	HOSE	1		L=400			
7	37002489290	HOSE	1		L=410			
8	37000924960	JOINT (WITH O-RING)	1					
9	80430620400	JOINT	2					
10	36033124000	ORIFICE	1					
11	91810130240	FASTENER	1					
12	36640360000	VALVE,SOLENOID	1					
13	90172106040	BOLT,HEXAGON SOCKET	8		M6X40			
14	36640350000	VALVE,SOLENOID	1					
31	91002801100	O-RING	3		1B P11			

AT-147-3 43010100071 UPPER

Pos No.	Parts No	Parts Name	Qty	Unit	Technical Data	Serial No (Start)	Serial No (End)	Remarks	Pages
1	42476201000	LAMP	1		12V 60W				
2	90101212020	BOLT	1		M12X20				
3	37000159530	PIN	1						
4	80620210160	PIN,SNAP	1						
5	90302041201	WASHER,SPRING	1		12				
10	42476200000	LAMP ASSY	1						

AT-147-3 43010100071 UPPER

Pos No.	Parts No	Parts Name	Qty	Unit	Technical Data	Serial No (Start)	Serial No (E
5	80456210600	JOINT,SELF SEALING	1				
6	80456240600	JOINT,SELF SEALING (WITH DUST CAP)	1				
11	42471437520	CAP	1				
30	42471080000	HOSE,BOOSTER (MAIL-FEMALE,3M)	1				

AT-147-3 43010100071 UPPER

Pos No.	Parts No	Parts Name	Qty	Unit	Technical Data	Serial No (Start)	Serial No
1	80456210600	JOINT,SELF SEALING	1				
2	42471807510	HOSE ASSY	1		2M		
3	42470362100	JOINT,SELF SEALING	1				
4	42471807520	HOSE,AIR	1		2M		
5	42470362200	PUMP	1				
6	80456240600	JOINT,SELF SEALING (WITH DUST CAP)	1				
7	42470367840	TUBE	2		25X0.15M		
8	42470367780	JOINT	1				
21	42471437520	CAP	1				
50	42471800000	HOSE,BOOSTER (WITH AIR BALLOON,2M)	1				

AT-147-3 43010100071 UPPER

Pos No.	Parts No	Parts Name	Qty	Unit	Technical Data	Serial No (Start)	Serial No (End)	Remarks	Pages
1	42470282000	LINK	1						
2	42470281000	JIB	1						
3	90101512045	BOLT	1		M12X45				
4	90201401200	NUT	1		M12				
5	90302041201	WASHER,SPRING	1		12				
6	90101216130	BOLT	1		M16X130				
7	90201201600	NUT	1		M16				
8	90303071601	WASHER,PLAIN	1		16				

AT-147-3 43010100071 UPPER

Pos No.	Parts No	Parts Name	Qty	Unit	Technical Data	Serial No (Start)	Serial No (End)	Remarks	Pages
1	42501650000	STEP,BUCKET	1						

AT-147-3 43010100071 UPPER

Pos No.	Parts No	Parts Name	Qty	Unit	Technical Data	Serial No (Start)	Serial No (End)	Remarks
1	42460821100	BLOCK,RUBBER (WAZUMI)	1					

AT-147-3 43010100071 UPPER

Pos No.	Parts No	Parts Name	Qty	Unit	Technical Data	Serial No (Start)	Serial No (End)	Remarks
1	42474632000	COVER,LAMP (WORKING)	1					

AT-147-3 43010100071 UPPER

Pos No.	Parts No	Parts Name	Qty	Unit	Technical Data	Serial No (Start)	Serial No (End)	Remarks
1	42267971000	ARM ASSY	1					
	42267971000	ARM ASSY	1					
2	42267130100	GEAR	1					
	42267130100	GEAR	1					
3	90730006140	SCREW,SET	2		M6X14			
	90730006140	SCREW,SET	2		M6X14			
4	90180212035	BOLT,BUTTON	2			590394		
5	80601111000	RING,RETAINING	1		S100			
	80601111000	RING,RETAINING	1		S100			
6	42267120400	SPACER	1					
	42267120400	SPACER	1					
7	42267120500	SPACER	1					
	42267120500	SPACER	1					
8	90171212035	BOLT (DACRO)	4		M12X35		590393	
	90171212035	BOLT (DACRO)	2		M12X35	590394		
9	90203401200	NUT	4		M16			
	90203401200	NUT	4		M16			
10	90171112030	BOLT	7		M12X30			
	90171112030	BOLT	7		M12X30			
11	37000586760	WASHER,PLAIN	7		12			
	37000586760	WASHER,PLAIN	7		12			
12	42267120300	SPACER	1					
	42267120300	SPACER	1					
13	42267120200	PIN	1					
	42267120200	PIN	1					
14	42267140100	PLATE	1					
	42267140100	PLATE	1					
15	37000582110	PLATE	1					
	37000582110	PLATE	1					
16	90180206012	BOLT,BUTTON	2		M6X12			
	90180206012	BOLT,BUTTON	2		M6X12			
17	90302040601	WASHER,SPRING	2		6			
	90302040601	WASHER,SPRING	2		6			
18	42268311000	POST ASSY	1					
	42268311000	POST ASSY	1					
19	42267120700	GUIDE	1					
	42267120700	GUIDE	1					
20	90101208014	BOLT	2		M8X14			
	90101208014	BOLT	2		M8X14			
21	90302040801	WASHER,SPRING	2		8			
	90302040801	WASHER,SPRING	2		8			
22	36663460001	MOTOR ASSY,OIL	1					
	36663460001	MOTOR ASSY,OIL	1					
23	90172112030	BOLT,HEXAGON SOCKET	2		M12X30			
	90172112030	BOLT,HEXAGON SOCKET	2		M12X30			
24	90309341203	WASHER,SPRING	2		12			
	90309341203	WASHER,SPRING	2		12			
25	36340380000	REDUCER,SWING SPEED	1					
	36340380000	REDUCER,SWING SPEED	1					
26	80136363050	PIN,SPLIT	1		6.3X50			
	80136363050	PIN,SPLIT	1		6.3X50			
27	42265980010	PIN	1					
	42265980010	PIN	1					
28	82455106000	NIPPLE,GREASE	1		A-M6F FE			
	82455106000	NIPPLE,GREASE	1		A-M6F FE			
29	82400000459	CAP	1					
	82400000459	CAP	1					
30	42267250020	SPACER	2		L=1.6		590393	
31	37010501080	PLATE	1			590406		
52	80513006920	BEARING,BALL	1					
	80513006920	BEARING,BALL	1					
53	80513006922	BEARING,BALL	1					
	80513006922	BEARING,BALL	1					

CLICK HERE TO **DOWNLOAD** THE COMPLETE MANUAL

- Thank you very much for reading the preview of the manual.
- You can download the complete manual from: www.heydownloads.com by clicking the link below



- Please note: If there is no response to CLICKING the link, please download this PDF first and then click on it.

CLICK HERE TO **DOWNLOAD** THE COMPLETE MANUAL