

**AT-147-3 43010141700 LOWER,ISUZU SKG-NKR85YN-EN5AHY-M**

PO1000171-00 INDICATION PLATES

PX2001234-00 CARRIER UNIT

PX3000508-01 MOUNTING UNIT

ASSEMBLY

CLICK HERE TO **DOWNLOAD** THE COMPLETE MANUAL

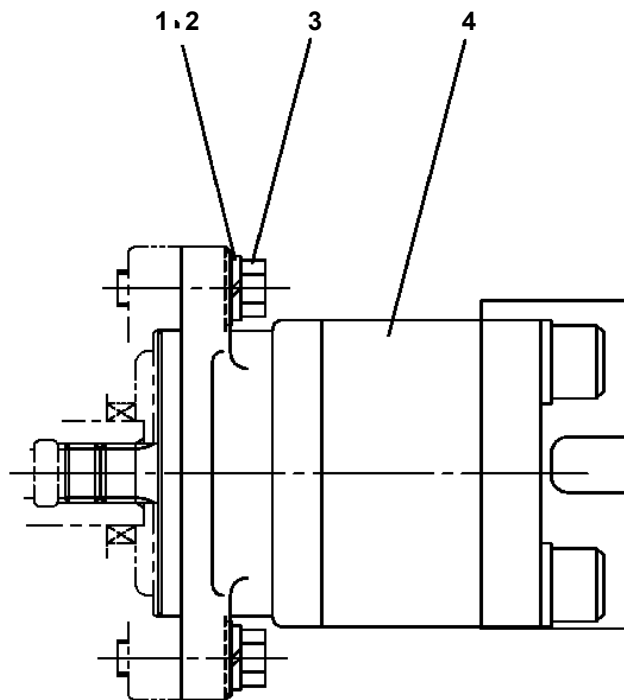
- Thank you very much for reading the preview of the manual.
- You can download the complete manual from: [www.heydownloads.com](http://www.heydownloads.com) by clicking the link below



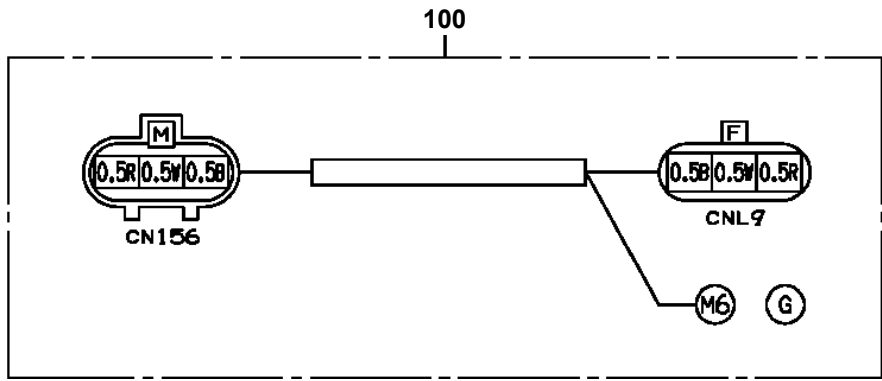
- Please note: If there is no response to CLICKING the link, please download this PDF first and then click on it.

CLICK HERE TO **DOWNLOAD** THE COMPLETE MANUAL

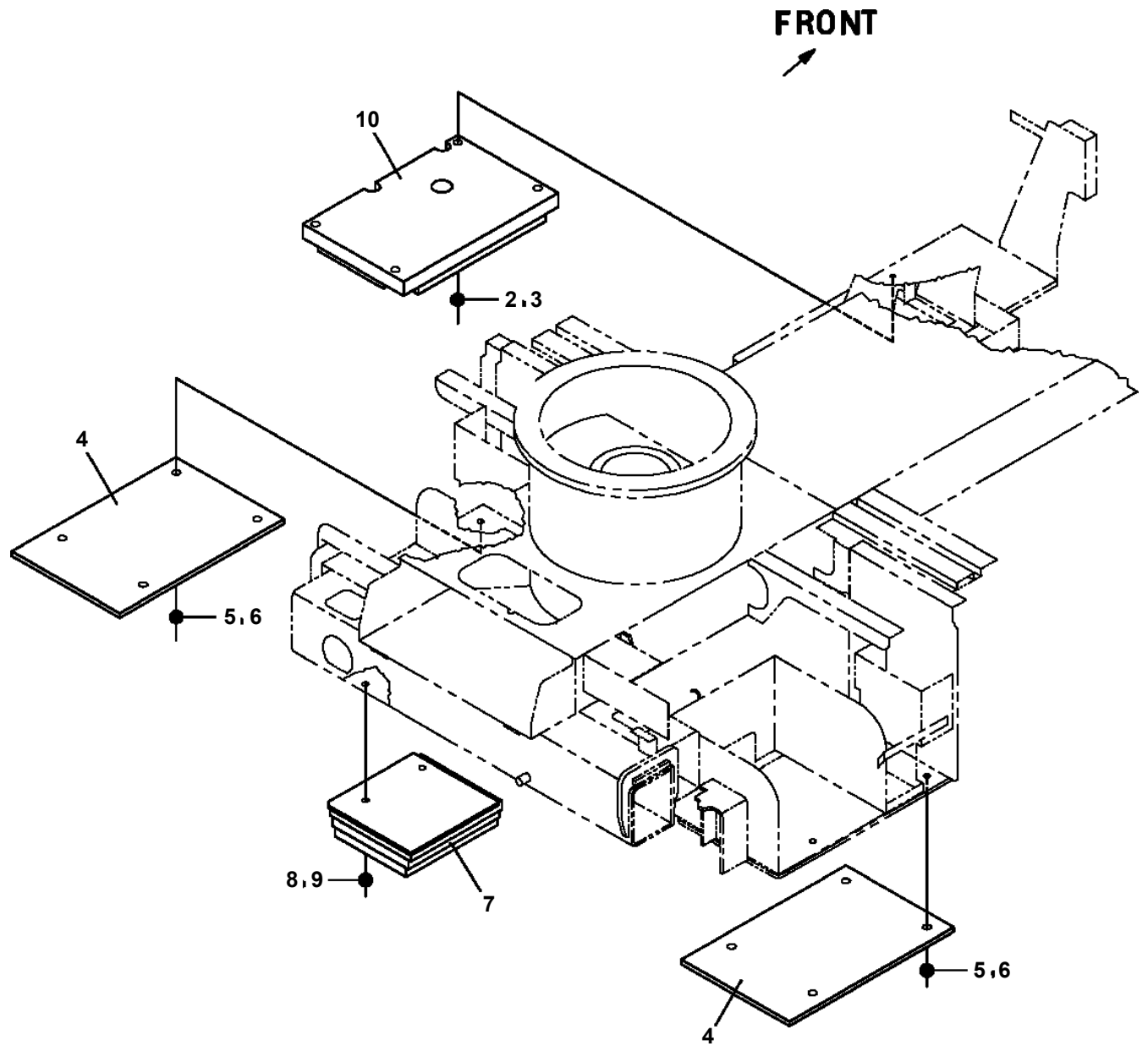
**AT-147-3 43010141700 LOWER,ISUZU SKG-NKR85YN-EN5AHY-M  
PB1110007-01 PUMP INSTALLATION**



AT-147-3 43010141700 LOWER,ISUZU SKG-NKR85YN-EN5AHY-M  
PH5031092-00 HARNESS



AT-147-3 43010141700 LOWER,ISUZU SKG-NKR85YN-EN5AHY-M  
PK1230212-00 WEIGHT



# AT-147-3 43010141700 LOWER,ISUZU SKG-NKR85YN-EN5AHY-M

Pos No.	Parts No	Parts Name	Qty	Unit	Technical Data	Serial No (Start)	Serial No (End)
1	42936000100	HARNESS	1				
2	91810132530	FASTENER	N				
3	42935571000	LAMP ASSY	1				
4	90101206016	BOLT	2		M6X16		
5	90302040601	WASHER,SPRING	2		6		
6	90303070601	WASHER,PLAIN	2		6		
31	42935571100	SUPPORT	1				
32	42614362301	LAMP ASSY (ORANGE,WITH HARNESS)	1				
33	42930890210	PLATE,NAME	1				
34	82154201010	METER,HOUR	1				
35	80172303010	SCREW,MACHINE	2		M3X10		
36	90302040301	WASHER,SPRING	2		3		
37	90303070301	WASHER,PLAIN	2		3		
38	42935481200	HARNESS	1				

**AT-147-3 43010141700 LOWER,ISUZU SKG-NKR85YN-EN5AHY-M**

Pos No.	Parts No	Parts Name	Qty	Unit	Technical Data	Serial No (Start)	Serial No (End)	Remarks	Page
1	42898280100	PIPE	1						
2	42898280201	COVER	1						
3	90101208012	BOLT	2		M8X12				
4	90302040801	WASHER,SPRING	5		8				
5	90101208020	BOLT	3		M8X20				
6	90303070801	WASHER,PLAIN	2		8				
21	36361361040	GASKET (EXHAUST)	1						

# AT-147-3 43010141700 LOWER,ISUZU SKG-NKR85YN-EN5AHY-M

Pos No.	Parts No	Parts Name	Qty	Unit	Technical Data	Serial No (Start)	Serial No (End)	Remarks	Pages
1	91810130240	FASTENER	10						
2	42900360100	HARNESS	1						000008
3	42900310104	SUPPORT	1				590401		
	42900310105	SUPPORT	1			590402	590417		
	42900310106	SUPPORT	1			590418			
4	42900310203	SUPPORT	1				590401		
	42900310204	SUPPORT	1			590402	590417		
	42900310205	SUPPORT	1			590418			
5	90201200500	NUT	8		M5				
6	90302040501	WASHER,SPRING	8		5				
7	90303070501	WASHER,PLAIN	8		5				
8	90186208014	BOLT,FLANGE	8		M8X14		590401		
	90101208020	BOLT	8		M8X20	590402			
9	90201200800	NUT	2		M8		590417		
	90201200800	NUT	10		M8	590418			
10	42900500101	SUPPORT	1						
11	42806830800	HARNESS	2				590401		000013
	42806830800	HARNESS	1			590402			000013
12	90302040801	WASHER,SPRING	2		8		590401		
	90302040801	WASHER,SPRING	10		8	590402			
13	90303070801	WASHER,PLAIN	2		8		590476		
	90303070801	WASHER,PLAIN	10		8	590477			
14	31631222000	CAP	1						
15	34350002100	CAP	2						

CLICK HERE TO **DOWNLOAD** THE COMPLETE MANUAL

- Thank you very much for reading the preview of the manual.
- You can download the complete manual from: [www.heydownloads.com](http://www.heydownloads.com) by clicking the link below



- Please note: If there is no response to CLICKING the link, please download this PDF first and then click on it.

CLICK HERE TO **DOWNLOAD** THE COMPLETE MANUAL