

AT-147-3 43010143200 LOWER,ISUZU TKG-NKR85YN-EN5AHY-M

PO1000171-00 INDICATION PLATES

PX2001716-00 CARRIER UNIT

PX3000867-00 MOUNTING UNIT

ASSEMBLY

CLICK HERE TO **DOWNLOAD** THE COMPLETE MANUAL

- Thank you very much for reading the preview of the manual.
- You can download the complete manual from: www.heydownloads.com by clicking the link below



- Please note: If there is no response to CLICKING the link, please download this PDF first and then click on it.

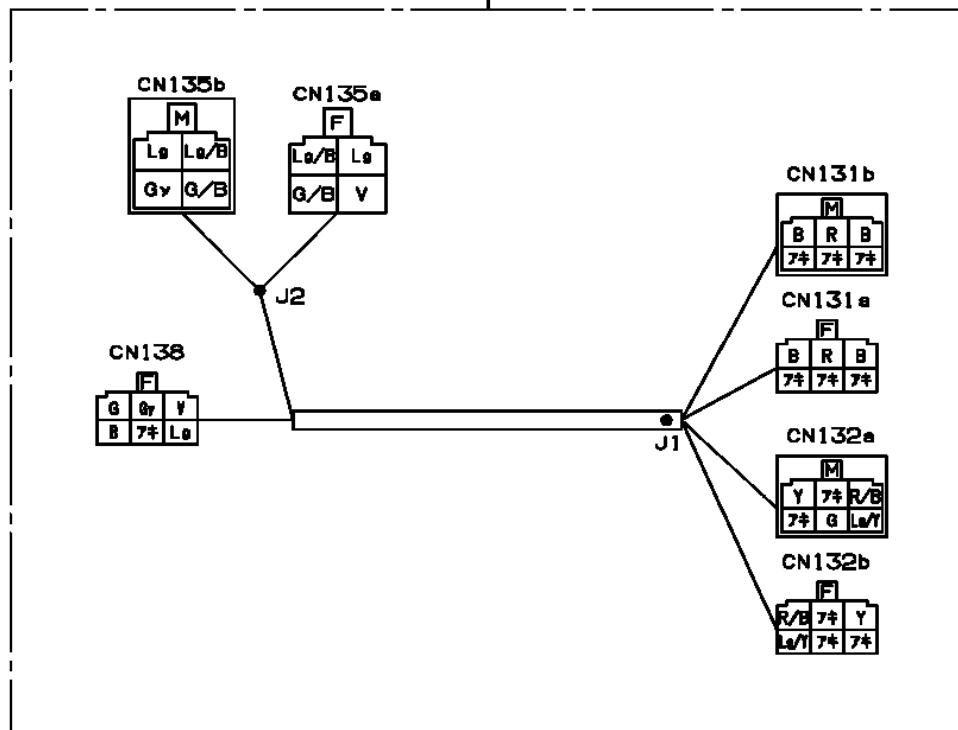
CLICK HERE TO **DOWNLOAD** THE COMPLETE MANUAL

AT-147-3 43010143200 LOWER,ISUZU TKG-NKR85YN-EN5AHY-M

Pos No.	Parts No	Parts Name	Qty	Unit	Technical Data	Serial No (Start)	Serial No (End)	Remarks	Page
1	90303071001	WASHER,PLAIN	2		10				
2	90302041001	WASHER,SPRING	2		10				
3	90174110035	BOLT	2		M10X35				
4	36652840000	PUMP,OIL (32CC:L)	1						00002

AT-147-3 43010143200 LOWER,ISUZU TKG-NKR85YN-EN5AHY-M
PH5031090-00 HARNESS

100

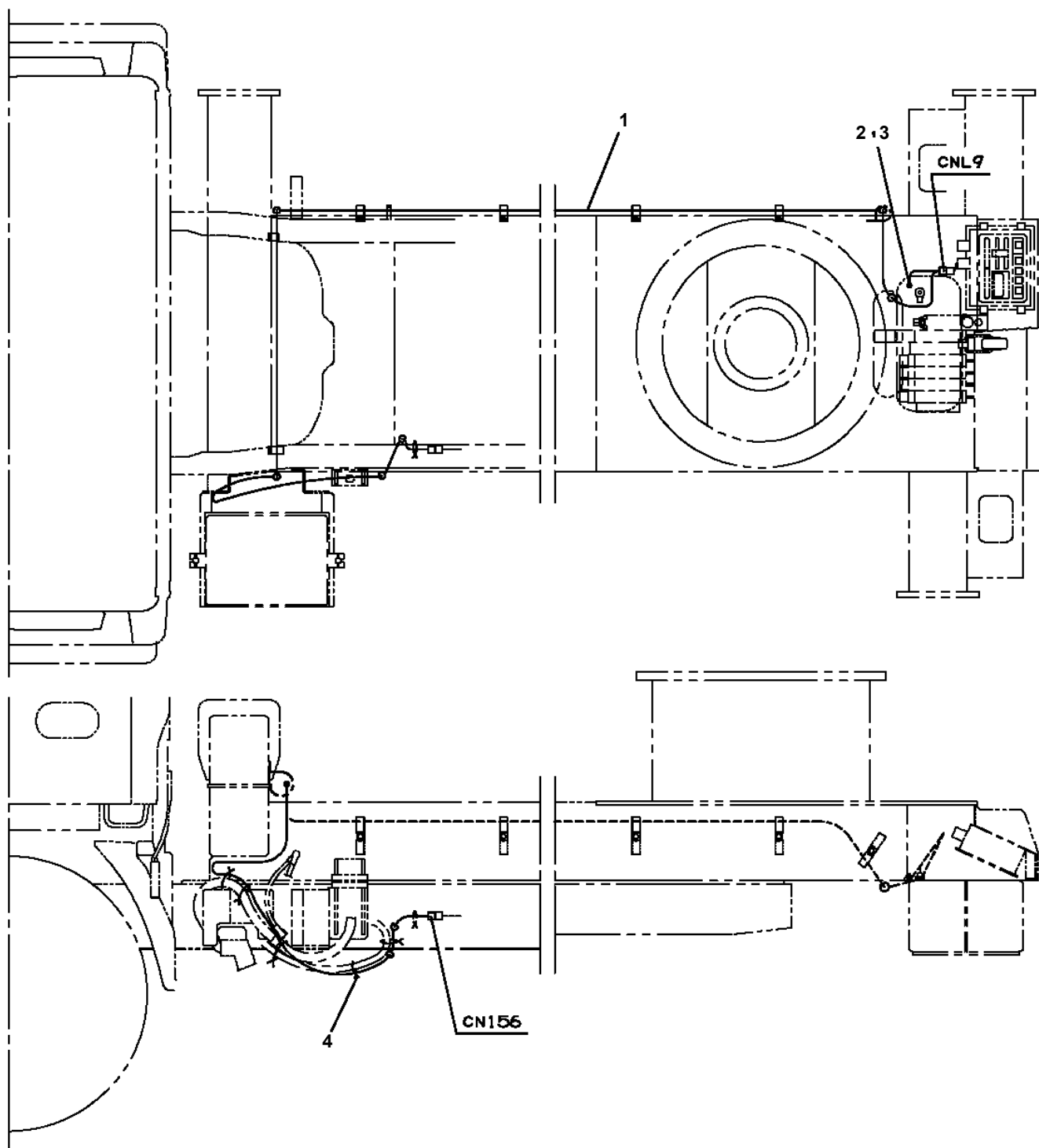


AT-147-3 43010143200 LOWER,ISUZU TKG-NKR85YN-EN5AHY-M

Pos No.	Parts No	Parts Name	Qty	Unit	Technical Data	Serial No (Start)	Serial No (End)	Remarks	Pages
29	82182819823	DIODE	1		1.5A				
100	42937030101	HARNESS	1						

AT-147-3 43010143200 LOWER,ISUZU TKG-NKR85YN-EN5AHY-M
PN1014682-00 ELEC.ASSY (ACCELERATOR)

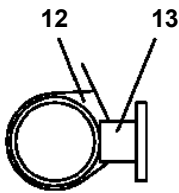
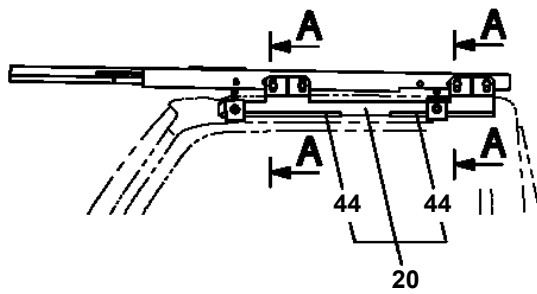
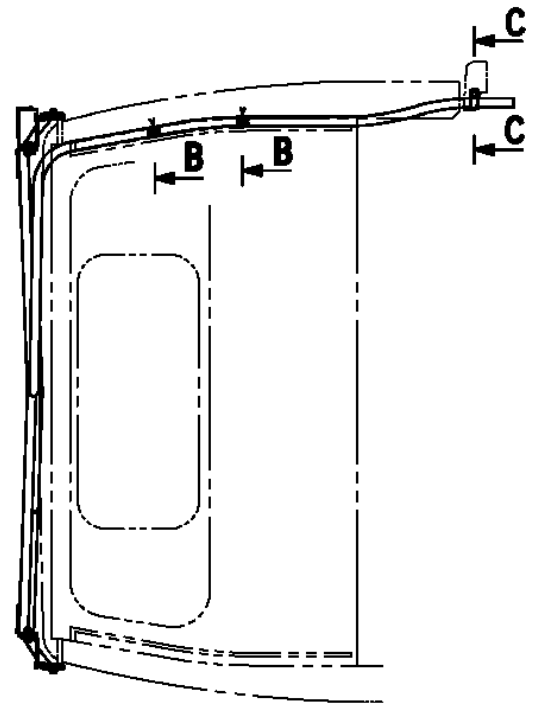
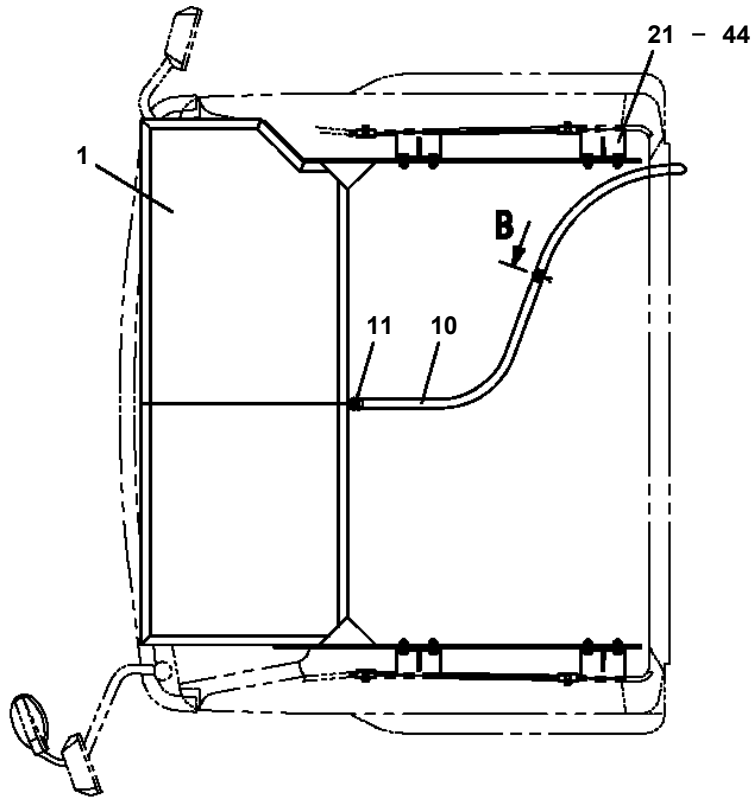
FRONT ←



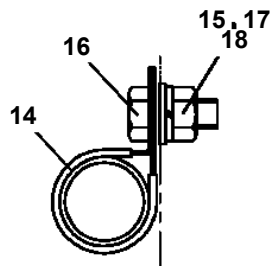
AT-147-3 43010143200 LOWER,ISUZU TKG-NKR85YN-EN5AHY-M

Pos No.	Parts No	Parts Name	Qty	Unit	Technical Data	Serial No (Start)	Serial No (End)	Remarks
5	82182819823	DIODE	1		1.5A			
9	34354781710	RELAY (WITH BRACKET)	1					
100	34354781720	RELAY (WITH HARNESS)	1					

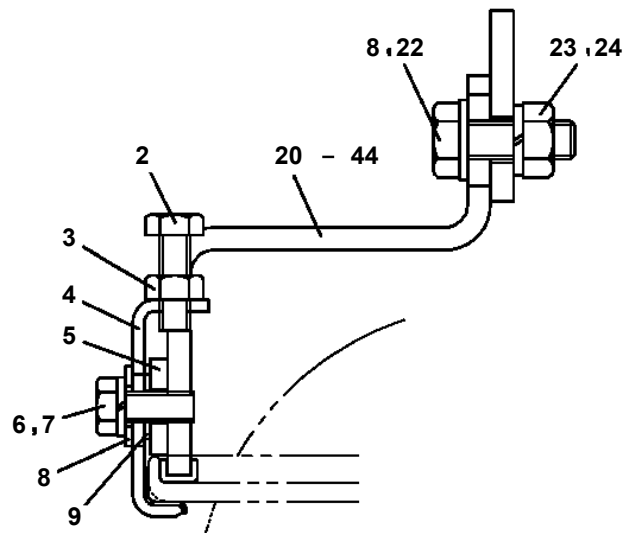
AT-147-3 43010143200 LOWER,ISUZU TKG-NKR85YN-EN5AHY-M
 PX1370296-01 GUARD,CAB



B



C-C



A-A

CLICK HERE TO **DOWNLOAD** THE COMPLETE MANUAL

- Thank you very much for reading the preview of the manual.
- You can download the complete manual from: www.heydownloads.com by clicking the link below



- Please note: If there is no response to CLICKING the link, please download this PDF first and then click on it.

CLICK HERE TO **DOWNLOAD** THE COMPLETE MANUAL