

AT-147-3 43010142800 LOWER,ISUZU SKG-NKR85YN-EN5AHY-M

PO1000171-00 INDICATION PLATES

PX2001636-00 CARRIER UNIT

PX3000848-00 MOUNTING UNIT

ASSEMBLY

CLICK HERE TO **DOWNLOAD** THE COMPLETE MANUAL

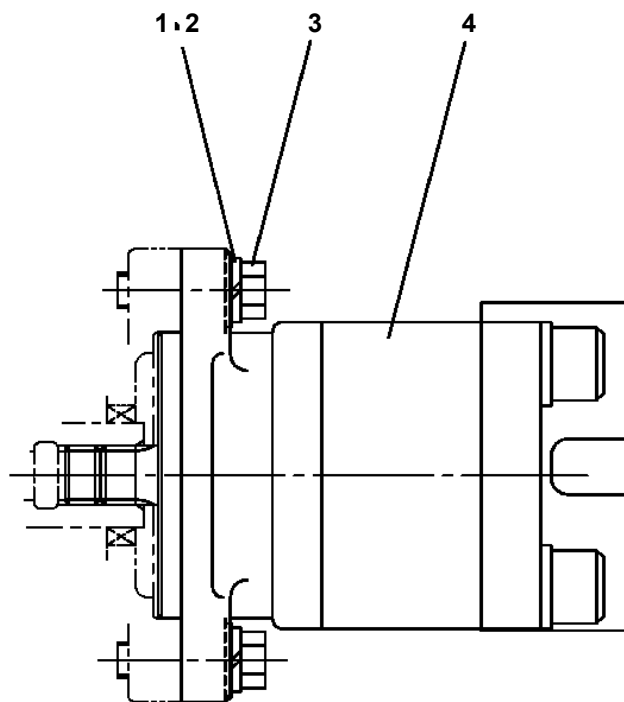
- Thank you very much for reading the preview of the manual.
- You can download the complete manual from: www.heydownloads.com by clicking the link below



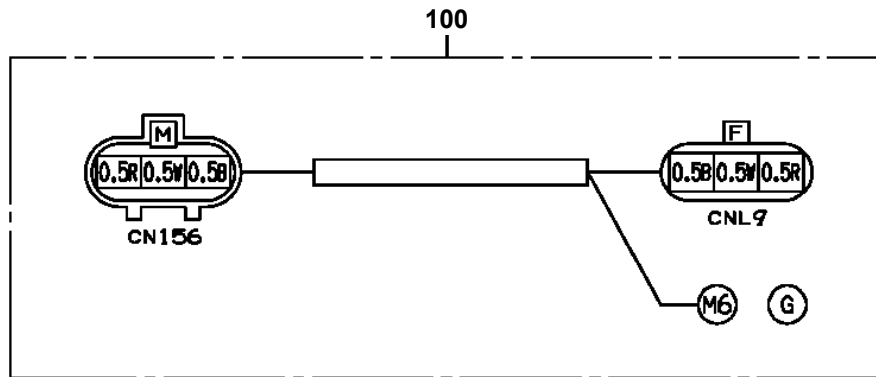
- Please note: If there is no response to CLICKING the link, please download this PDF first and then click on it.

CLICK HERE TO **DOWNLOAD** THE COMPLETE MANUAL

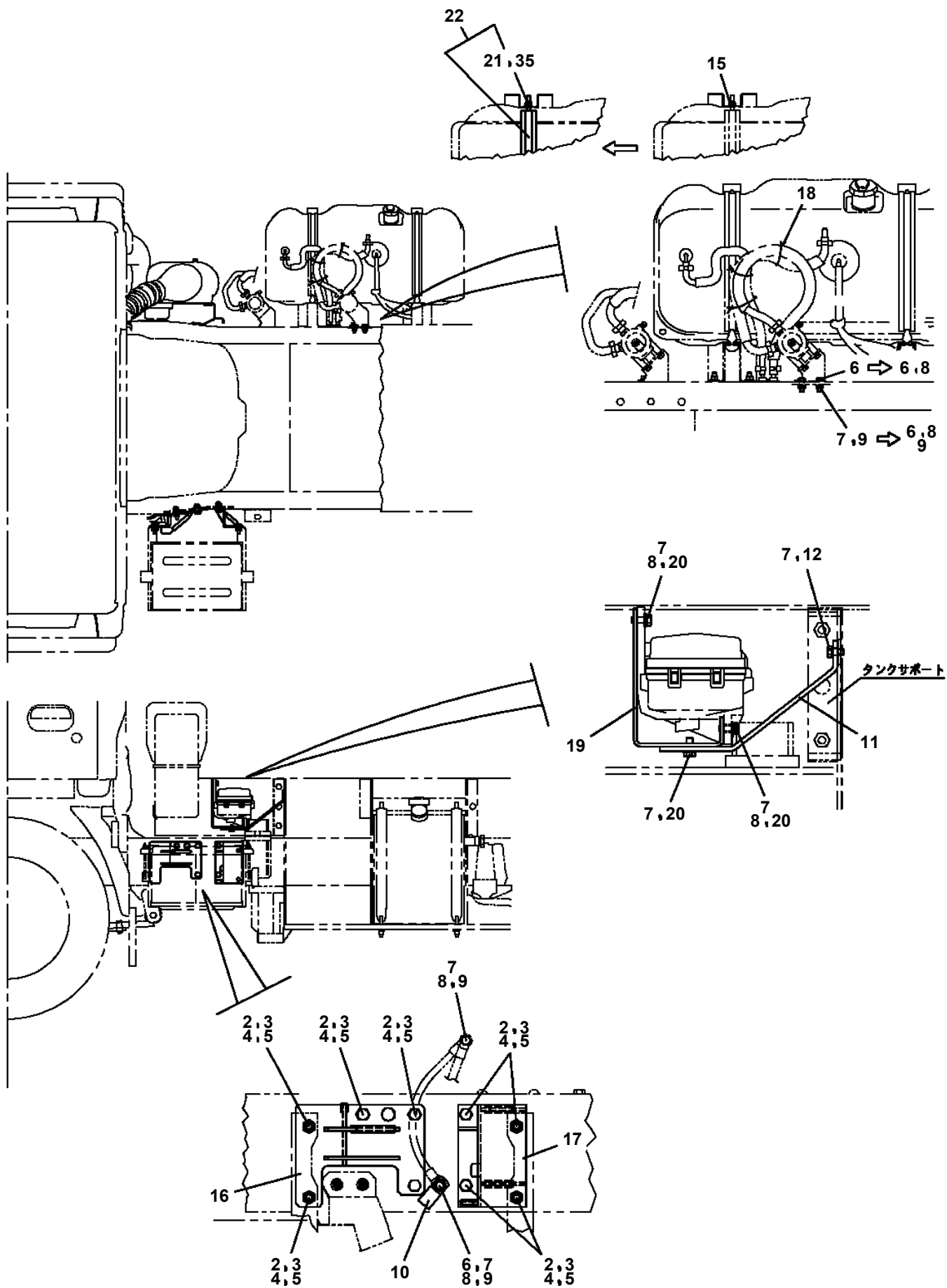
**AT-147-3 43010142800 LOWER,ISUZU SKG-NKR85YN-EN5AHY-M
PB1110007-01 PUMP INSTALLATION**



AT-147-3 43010142800 LOWER,ISUZU SKG-NKR85YN-EN5AHY-M
PH5031092-00 HARNESS



AT-147-3 43010142800 LOWER,ISUZU SKG-NKR85YN-EN5AHY-M
 PM5150192-03 MODIFICATION ASSY



AT-147-3 43010142800 LOWER,ISUZU SKG-NKR85YN-EN5AHY-M

Pos No.	Parts No	Parts Name	Qty	Unit	Technical Data	Serial No (Start)	Serial No (End)	Remarks	Pages
1	42940060010	PLATE,NAME	1						
2	37002224450	PLATE,NAME	1						

AT-147-3 43010142800 LOWER,ISUZU SKG-NKR85YN-EN5AHY-M

Pos No.	Parts No	Parts Name	Qty	Unit	Technical Data	Serial No (Start)	Serial No (End)	Remarks	Page
1	42898280100	PIPE	1						
2	42898280201	COVER	1						
3	90101208012	BOLT	2		M8X12				
4	90302040801	WASHER,SPRING	5		8				
5	90101208020	BOLT	3		M8X20				
6	90303070801	WASHER,PLAIN	2		8				
21	36361361040	GASKET (EXHAUST)	1						

AT-147-3 43010142800 LOWER,ISUZU SKG-NKR85YN-EN5AHY-M

Pos No.	Parts No	Parts Name	Qty	Unit	Technical Data	Serial No (Start)	Serial No (End)	Remarks	Pages
1	91810130240	FASTENER	10						
2	42900360100	HARNESS	1						000008
3	42900310106	SUPPORT	1						
4	42900310205	SUPPORT	1						
5	90201200500	NUT	8		M5				
6	90302040501	WASHER,SPRING	8		5				
7	90303070501	WASHER,PLAIN	8		5				
8	90101208020	BOLT	8		M8X20				
9	90201200800	NUT	10		M8				
10	42900500101	SUPPORT	1						
11	42806830800	HARNESS	1						000013
12	90302040801	WASHER,SPRING	10		8				
13	90303070801	WASHER,PLAIN	2		8		590476		
	90303070801	WASHER,PLAIN	10		8	590477			
14	31631222000	CAP	1						
15	34350002100	CAP	2						

CLICK HERE TO **DOWNLOAD** THE COMPLETE MANUAL

- Thank you very much for reading the preview of the manual.
- You can download the complete manual from: www.heydownloads.com by clicking the link below



- Please note: If there is no response to CLICKING the link, please download this PDF first and then click on it.

CLICK HERE TO **DOWNLOAD** THE COMPLETE MANUAL