

AT-147-3 43010141400 LOWER,ISUZU PDG-NKR85YN-EN5AHY-M

PO1000171-00 INDICATION PLATES

PX2000976-02 CARRIER UNIT

PX3000508-01 MOUNTING UNIT

ASSEMBLY

CLICK HERE TO **DOWNLOAD** THE COMPLETE MANUAL

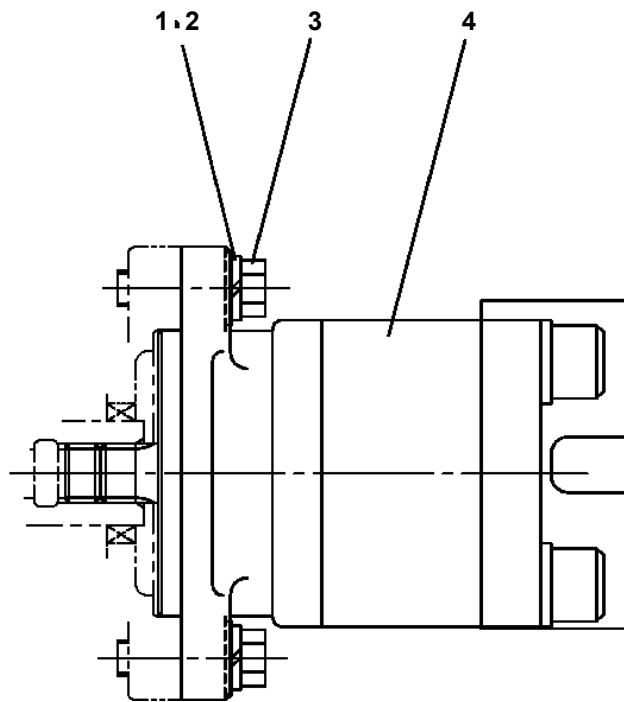
- Thank you very much for reading the preview of the manual.
- You can download the complete manual from: www.heydownloads.com by clicking the link below



- Please note: If there is no response to CLICKING the link, please download this PDF first and then click on it.

CLICK HERE TO **DOWNLOAD** THE COMPLETE MANUAL

**AT-147-3 43010141400 LOWER,ISUZU PDG-NKR85YN-EN5AHY-M
PB1110007-01 PUMP INSTALLATION**



AT-147-3 43010141400 LOWER,ISUZU PDG-NKR85YN-EN5AHY-M

Pos No.	Parts No	Parts Name	Qty	Unit	Technical Data	Serial No (Start)	Serial No (End)	Remarks	Pages
100	42900360100	HARNESS	1						

AT-147-3 43010141400 LOWER,ISUZU PDG-NKR85YN-EN5AHY-M

Pos No.	Parts No	Parts Name	Qty	Unit	Technical Data	Serial No (Start)	Serial No (End)	Remarks	Pages
100	42936360100	HARNESS	1						

AT-147-3 43010141400 LOWER,ISUZU PDG-NKR85YN-EN5AHY-M

Pos No.	Parts No	Parts Name	Qty	Unit	Technical Data	Serial No (Start)	Serial No (End)	Remarks	Pages
1	42935120100	HARNESS	1						000013
2	90302040601	WASHER,SPRING	1		6				
3	90201200600	NUT	1		M6				
4	91810130240	FASTENER	5						

AT-147-3 43010141400 LOWER,ISUZU PDG-NKR85YN-EN5AHY-M

Pos No.	Parts No	Parts Name	Qty	Unit	Technical Data	Serial No (Start)	Serial No (End)	Remarks	Page
1	42898280100	PIPE	1						
2	42898280201	COVER	1						
3	90101208012	BOLT	2		M8X12				
4	90302040801	WASHER,SPRING	5		8				
5	90101208020	BOLT	3		M8X20				
6	90303070801	WASHER,PLAIN	2		8				
21	36361361040	GASKET (EXHAUST)	1						

AT-147-3 43010141400 LOWER,ISUZU PDG-NKR85YN-EN5AHY-M

Pos No.	Parts No	Parts Name	Qty	Unit	Technical Data	Serial No (Start)	Serial No (End)	Remarks	Pages
1	42896920100	COVER	1				590382		
	42896920200	COVER	1			590383			
2	90186208014	BOLT,FLANGE	3		M8X14				
22	82400000202	GROMMET	1				590382		

AT-147-3 43010141400 LOWER,ISUZU PDG-NKR85YN-EN5AHY-M

Pos No.	Parts No	Parts Name	Qty	Unit	Technical Data	Serial No (Start)	Serial No (End)	Remarks	Pages
1	42787030401	SUPPORT	1						
2	90171110030	BOLT	9		M10X30				
3	90201781000	NUT	9		M10				
4	90302041001	WASHER,SPRING	9		10				
5	90303071001	WASHER,PLAIN	8		10				
6	90101208025	BOLT	3		M8X25				
7	90302040801	WASHER,SPRING	6		8				
8	90303070801	WASHER,PLAIN	2		8				
9	90201200800	NUT	4		M8				
10	82100002016	CLAMP	1		WR25				
11	42787030101	SUPPORT	1						
12	90101208016	BOLT	2		M8X16				
13	42787030501	SUPPORT	1						
14	42787030300	SUPPORT	1						
15	42787400010	NUT	1		M8	590353			

CLICK HERE TO **DOWNLOAD** THE COMPLETE MANUAL

- Thank you very much for reading the preview of the manual.
- You can download the complete manual from: www.heydownloads.com by clicking the link below



- Please note: If there is no response to CLICKING the link, please download this PDF first and then click on it.

CLICK HERE TO **DOWNLOAD** THE COMPLETE MANUAL