

AT-146-3 43011165300 LOWER,TOYOTA SKG-XZU600W-TKFSC6

PO1000171-00 INDICATION PLATES

PX2001426-00 CARRIER UNIT

PX3000765-00 MOUNTING UNIT

ASSEMBLY

CLICK HERE TO **DOWNLOAD** THE COMPLETE MANUAL

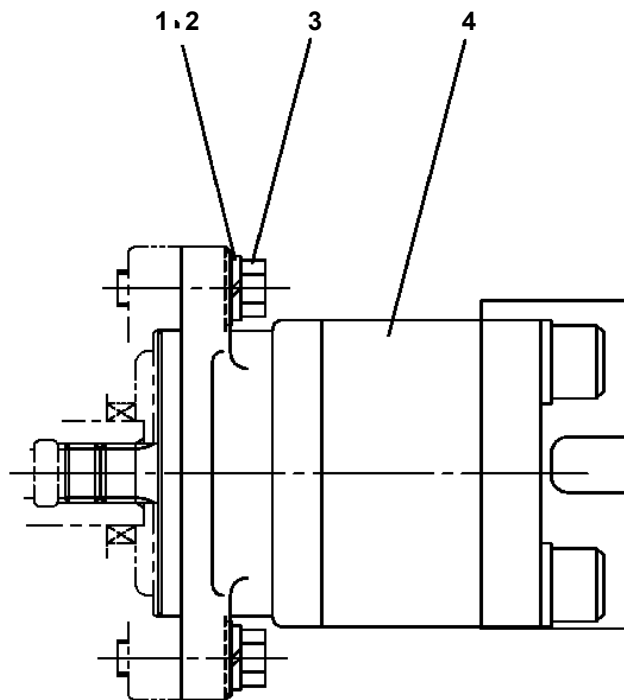
- Thank you very much for reading the preview of the manual.
- You can download the complete manual from: www.heydownloads.com by clicking the link below



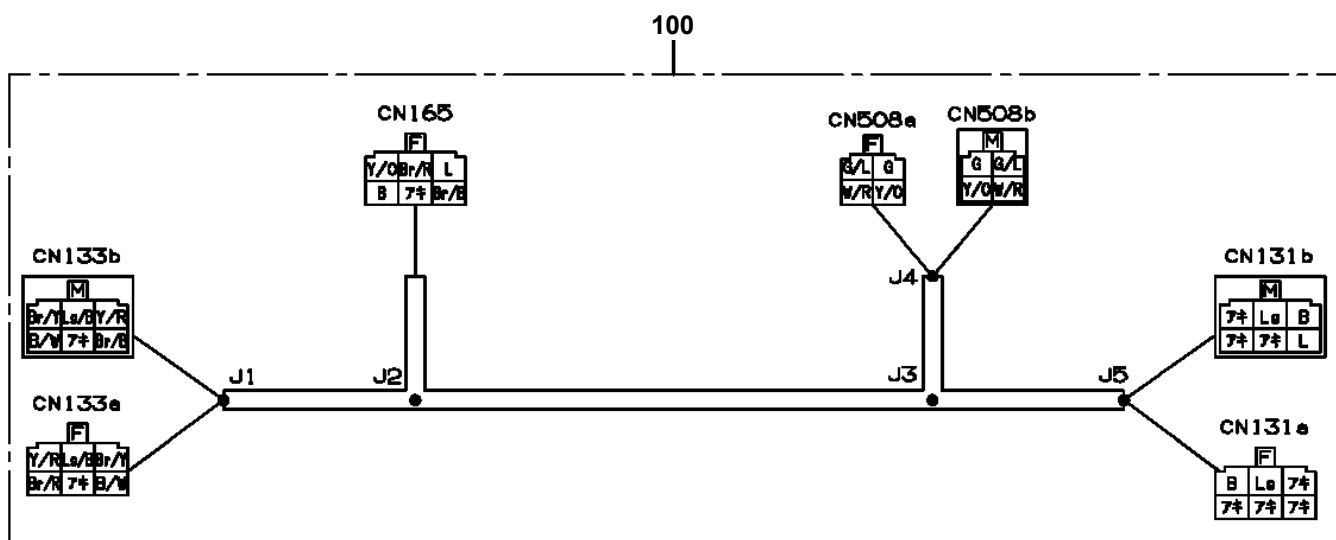
- Please note: If there is no response to CLICKING the link, please download this PDF first and then click on it.

CLICK HERE TO **DOWNLOAD** THE COMPLETE MANUAL

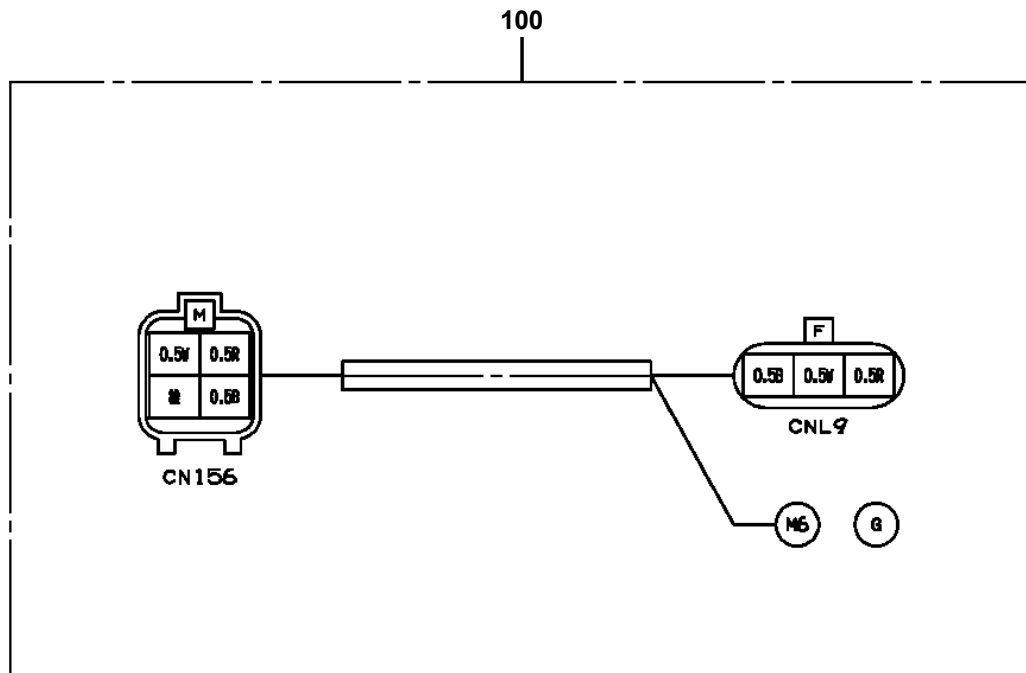
**AT-146-3 43011165300 LOWER, TOYOTA SKG-XZU600W-TKFSC6
PB1110007-01 PUMP INSTALLATION**



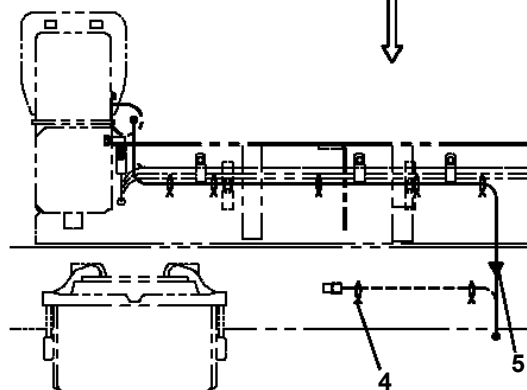
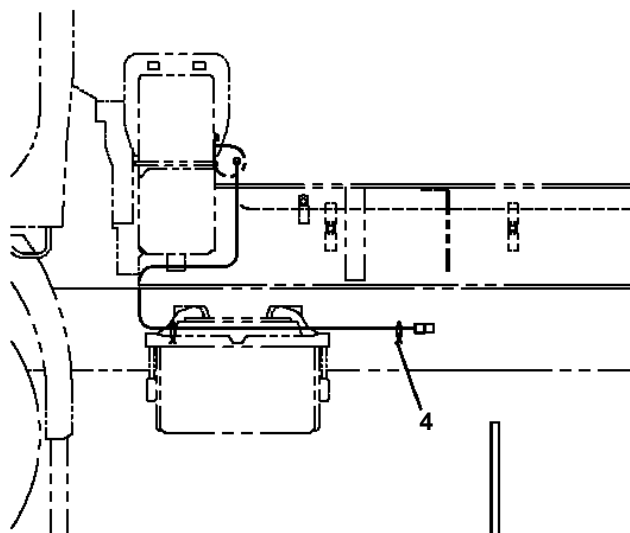
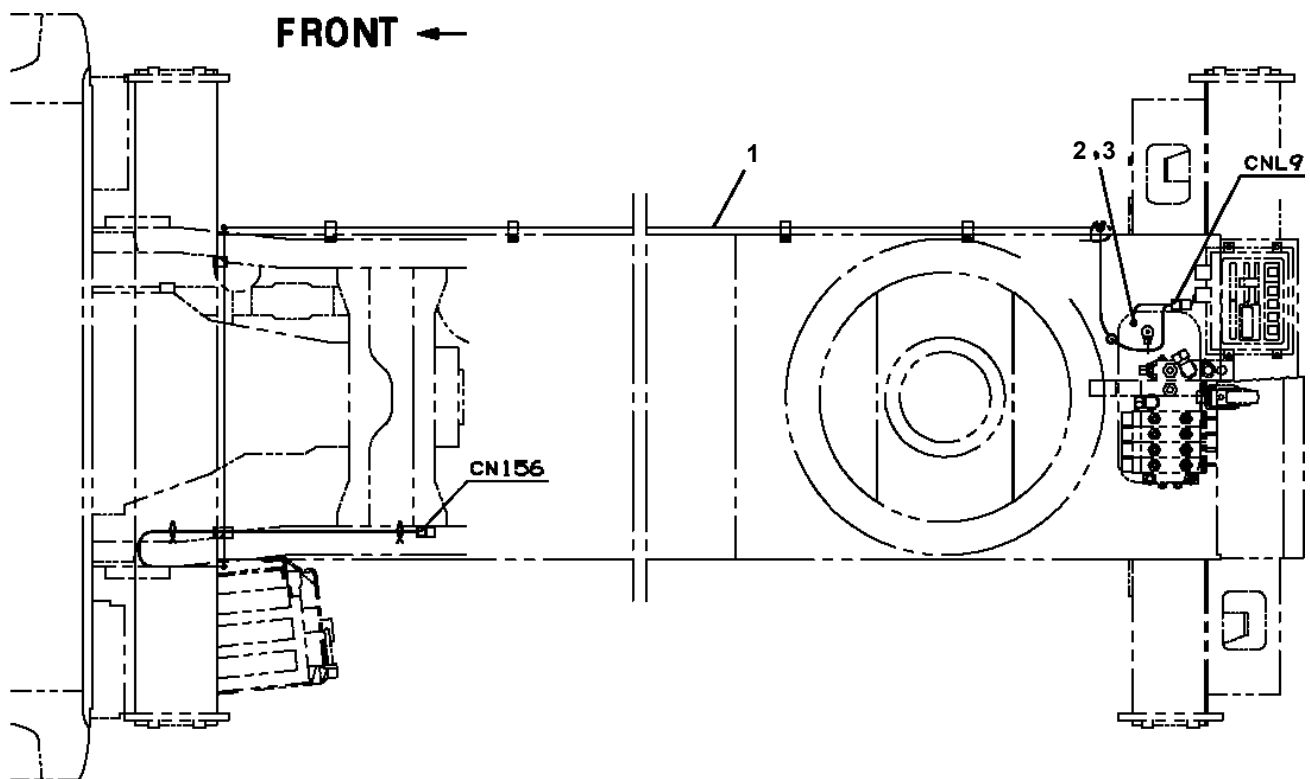
AT-146-3 43011165300 LOWER, TOYOTA SKG-XZU600W-TKFSC6
 PH5031058-00 HARNESS



AT-146-3 43011165300 LOWER,TOYOTA SKG-XZU600W-TKFSC6
PH5033876-00 HARNESS



AT-146-3 43011165300 LOWER, TOYOTA SKG-XZU600W-TKFSC6
PN1014620-01 ELEC. ASSY (ACCELERATOR)



AT-146-3 43011165300 LOWER,TOYOTA SKG-XZU600W-TKFSC6

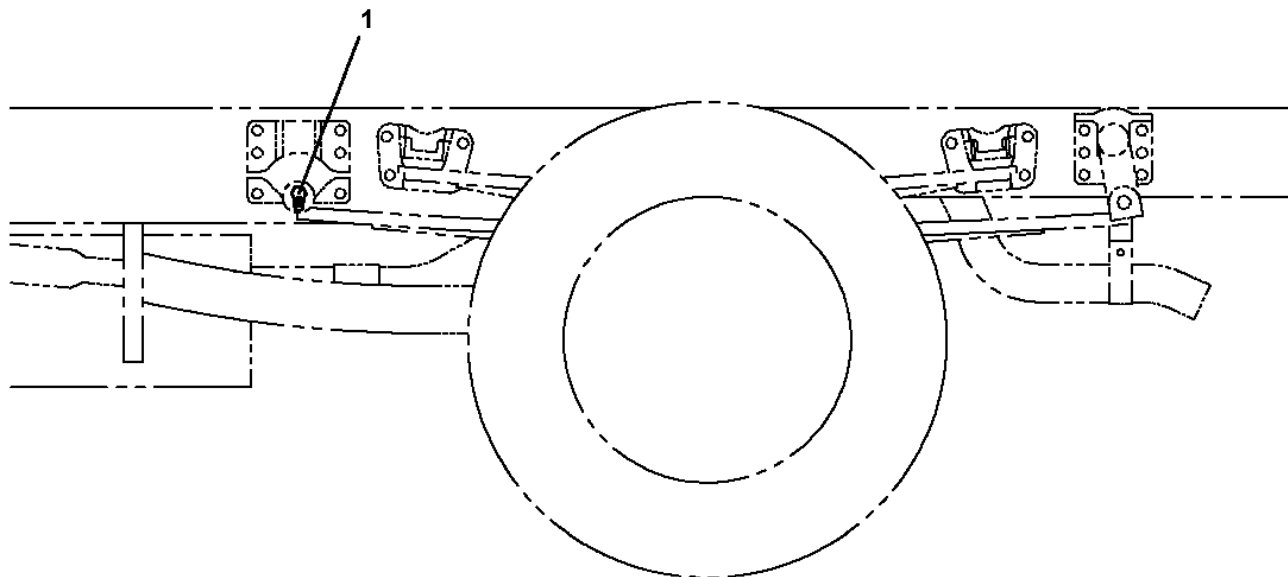
Pos No.	Parts No	Parts Name	Qty	Unit	Technical Data	Serial No (Start)	Serial No (End)	Remarks	P
1	42930362100	SWITCH ASSY	1						
2	90101206010	BOLT	6		M6X1.0				
3	90302040601	WASHER,SPRING	10		6				
4	82100002004	CLAMP	4		WR8				
5	90201200600	NUT	4		M6				
6	42930362010	HARNESS	1						0
7	91810130240	FASTENER	6				229468		
	91810130240	FASTENER	7			229469			
8	42692891100	SUPPORT	1						
9	90101210014	BOLT	4		M10X14				
10	90302041001	WASHER,SPRING	4		10				
11	91810130250	FASTENER	30						
13	42934591100	SUPPORT	1						
14	82114102020	CONNECTOR	1						
15	82121102020	HOLDER	1						
17	82401601002	CLAMP	2				229468		
	82401601002	CLAMP	3			229469			
18	42935731100	HARNESS	1						0
32	82119434100	CONNECTOR	2						
33	42930362130	SWITCH ASSY	2						
34	37002203720	PLATE,NAME (ON-OFF)	2						
35	80175304016	SCREW,MACHINE	4		M4X16				
36	37000557870	PLATE	2						
51	42934592101	SUPPORT	1						
62	42934592001	SWITCH ASSY	1						

AT-146-3 43011165300 LOWER,TOYOTA SKG-XZU600W-TKFSC6

Pos No.	Parts No	Parts Name	Qty	Unit	Technical Data	Serial No (Start)	Serial No (End)	Remarks	Page
1	42897760100	PIPE	1						
2	42898280201	COVER	1						
3	90101208012	BOLT	2		M8X12				
4	90302040801	WASHER,SPRING	5		8				
5	90101208020	BOLT	3		M8X20				
6	90303070801	WASHER,PLAIN	2		8				
21	36361361040	GASKET (EXHAUST)	1						

**AT-146-3 43011165300 LOWER,TOYOTA SKG-XZU600W-TKFSC6
PX1390907-00 MODIFICATION PARTS (HINO,TOYOTA/GREASE NIPPLE)**

FRONT ←



CLICK HERE TO **DOWNLOAD** THE COMPLETE MANUAL

- Thank you very much for reading the preview of the manual.
- You can download the complete manual from: www.heydownloads.com by clicking the link below



- Please note: If there is no response to CLICKING the link, please download this PDF first and then click on it.

CLICK HERE TO **DOWNLOAD** THE COMPLETE MANUAL