

AT-146-1 42095141100 LOWER,ISUZU KK-NKR71E3N 5JXHY

PO1000127-01 INDICATION PLATES

PW1000109-01 ACCESSORIES & TOOLS

PX2000133-00 CARRIER UNIT

PX3000125-00 MOUNTING UNIT

PY1000676-01 OPTIONS,1

PY2000036-00 OPTIONS,2

ASSEMBLY

CLICK HERE TO **DOWNLOAD** THE COMPLETE MANUAL

- Thank you very much for reading the preview of the manual.
- You can download the complete manual from: www.heydownloads.com by clicking the link below



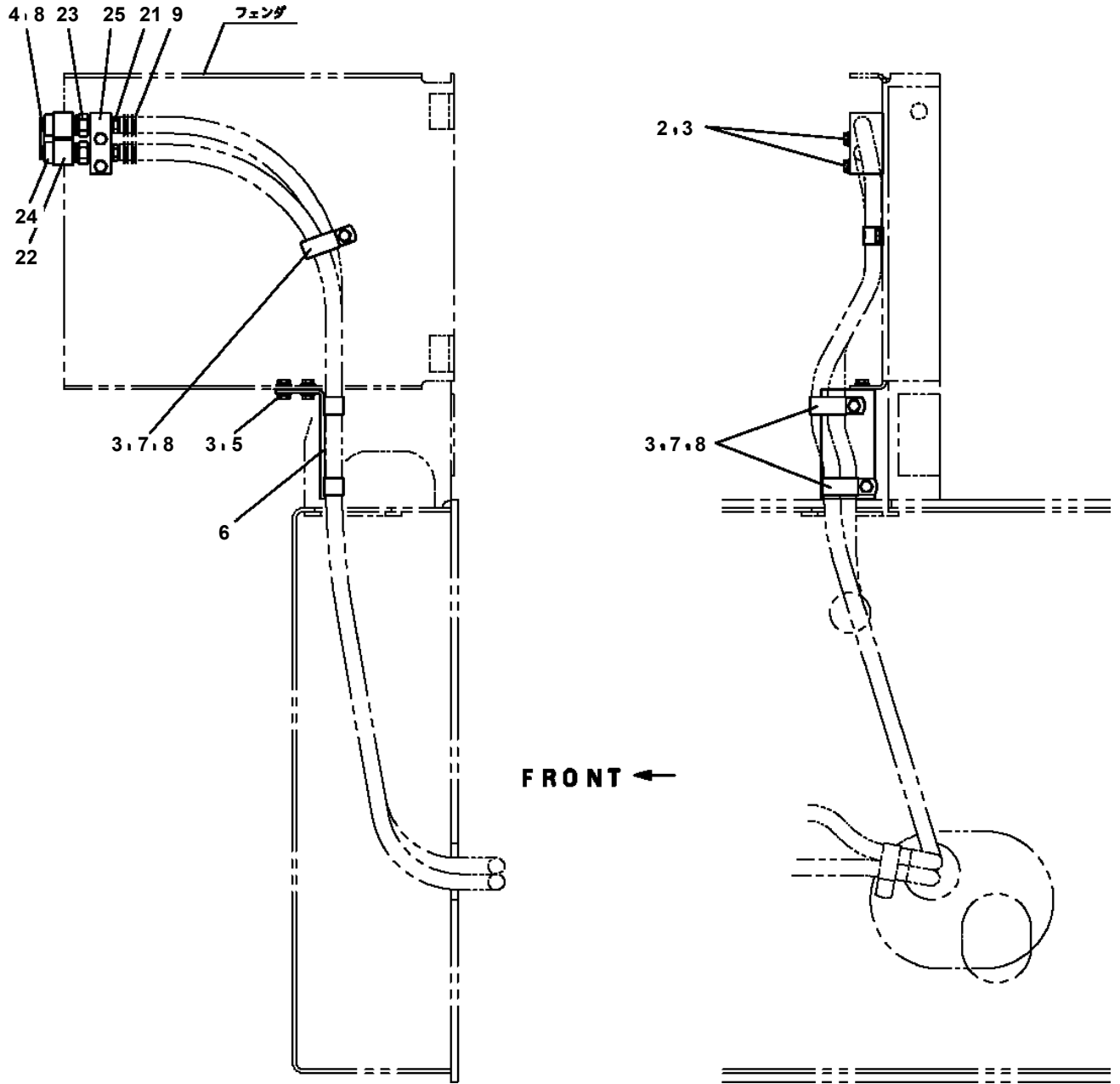
- Please note: If there is no response to CLICKING the link, please download this PDF first and then click on it.

CLICK HERE TO **DOWNLOAD** THE COMPLETE MANUAL

AT-146-1 42095141100 LOWER,ISUZU KK-NKR71E3N 5JXHY

Pos No.	Parts No	Parts Name	Qty	Unit	Technical Data	Serial No (Start)	Ser
1	(*****)	LAMP (O/R CONTROL PANEL)	1				
2	(*****)	LAMP (LEVEL)	1				
3	(*****)	LAMP	1				
4	(*****)	BOX,TOOL (MOUNT,BOOM LEFT SIDE)	1				
5	(*****)	BOOSTER (LOWER,HYDRAULIC OUTLET)	1				
	(*****)	BOOSTER (B:LOWER HYDRAULIC OUTLET)	1				
6	(*****)	BOOSTER (B:LOWER,HYDRAULIC OUTLET)	1				
	(*****)	BOOSTER (LOWER HYDRAULIC OUTLET)	1				
13	(*****)	POWER SUPPLY (LOWER HYDRAULIC OUTLET)	1				
14	(*****)	LAMP (WORKING:BOOM REST LEFT)	1				
15	(*****)	OUTRIGGER	1				
16	(*****)	POWER SOURCE	1				
17	(*****)	LAMP (BOOM,WORKING)	1				
18	(*****)	LAMP (BOOM,WORKING)	1				
19	(*****)	REFLECTOR	1				
21	(*****)	VIEW SYSTEM (MONITOR/CLARION,MITSUBISHI)	1				
	(*****)	VIEW SYSTEM (COLOR MONITOR,ICHIKOH)	1				
	(*****)	VIEW SYSTEM (B&W/MONITOR,ICHIKOH)	1				
	(*****)	VIEW SYSTEM (COLOR MONITOR,CLARION)	1				
	(*****)	VIEW SYSTEM (YONDEN/COLOR MONITOR)	1				
	(*****)	VIEW SYSTEM (B & W MONITOR/ICHIKOH,MITSU)	1				
	(*****)	VIEW SYSTEM (COLOR MONITOR, CLARION/ISUZU)	1				
	(*****)	VIEW SYSTEM (COLOR MONITOR,ICHIKOH)	1				
	(*****)	VIEW SYSTEM (COLOR MONITOR,ICHIKOH)	1				

**AT-146-1 42095141100 LOWER,ISUZU KK-NKR71E3N 5JXHY
PB1380118-00 POWER SUPPLY (ENGINE/PIPING DRAIN)**



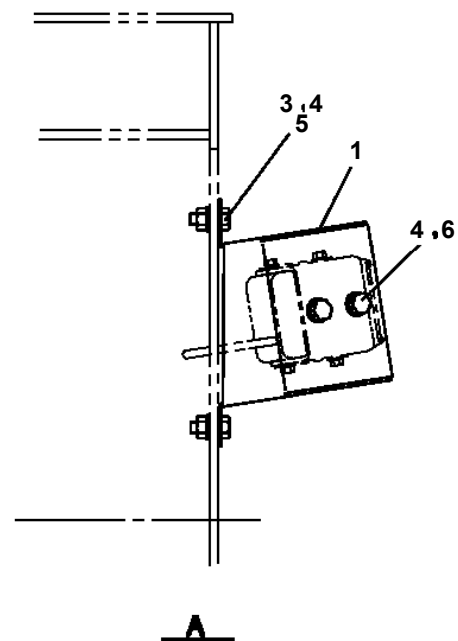
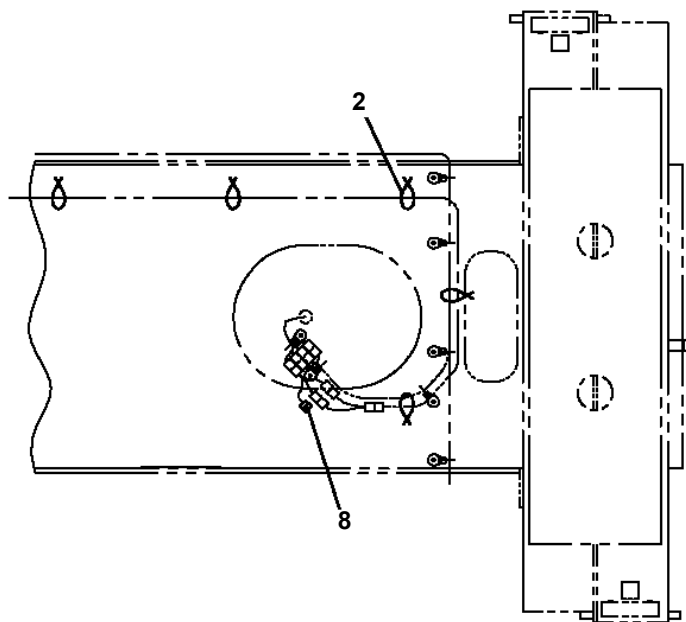
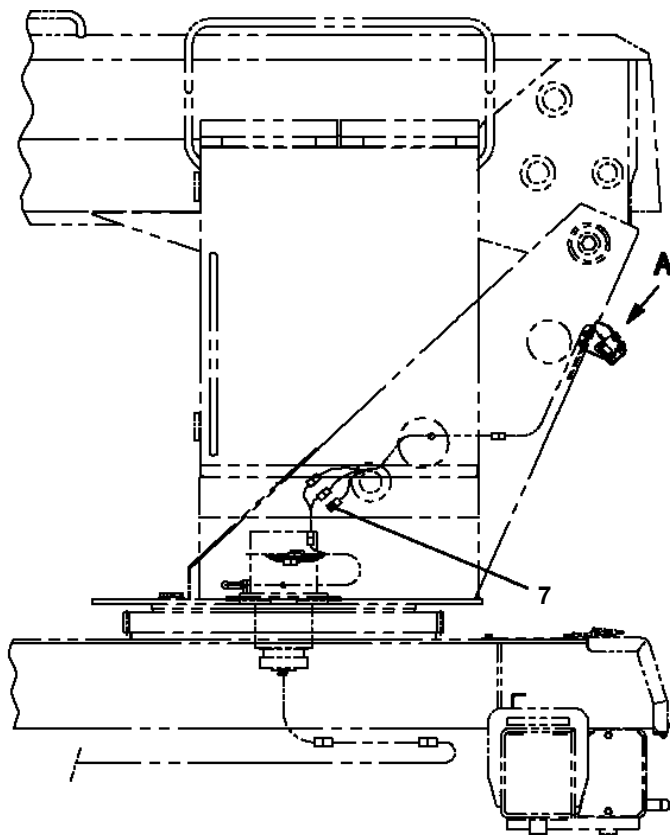
AT-146-1 42095141100 LOWER,ISUZU KK-NKR71E3N 5JXHY

Pos No.	Parts No	Parts Name	Qty	Unit	Technical Data	Serial No (Start)	Serial No (End)
1	80305010120	FITTING,TEE	1		ZKTA15-000N		
3	90172108060	BOLT,HEXAGON SOCKET	2		M8X60		
4	90302040801	WASHER,SPRING	5		8		
5	42738310800	SUPPORT	1				
6	90131508012	BOLT,HEXAGON SOCKET <M8X12.	3				
7	80456110610	JOINT,SELF SEALING (SOCKET)	1				
8	80456120610	JOINT,SELF SEALING (PLUG)	1				
9	42738311500	COVER ASSY	1				
10	80471020504	JOINT	1		HL205-04		
11	81408000210	PIPE,STEEL	1	M	15X2.0T		
12	91002801400	O-RING	4		1B P14		
13	37000300750	SLEEVE	4		18-15		
16	81408000210	PIPE,STEEL	1	M	15X2.0T		
17	81408000210	PIPE,STEEL	1	M	15X2.0T		
18	37000502190	PLATE	2				
19	91002801800	O-RING	2		1B P18		
20	80303130201	FITTING,ELBOW	2		KLO15-040E		
22	81408000210	PIPE,STEEL	1	M	15X2.0T		
23	37002457690	HOSE	1		L=650		
24	81408000210	PIPE,STEEL	1	M	15X2.0T		
25	80301010120	FITTING	3		KUA15-000N		
26	37000711090	CLAMP ASSY	2		18X2		
27	81408000210	PIPE,STEEL	1	M	15X2.0T		
28	90101210022	BOLT	4		M10X22		
29	80302090181	FITTING	2		KCO15-030N		
30	81408000210	PIPE,STEEL	1	M	15X2.0T		
31	82100001412	TUBE,SPIRAL	2	M	SE-12BK		
32	91810132530	FASTENER	5				
33	37000579480	PLATE	2				
34	37000579490	PLATE	2				
35	81408000210	PIPE,STEEL	1	M	15X2.0T		
36	37000928370	JOINT	1		S,G1/2-G1/2		
51	42736711100	FITTING,FLANGE	1				
52	36645930000	VALVE,SOLENOID	1				
53	90172105050	BOLT,HEXAGON SOCKET	4		M5X50		
54	80316070080	PLUG	1		PF1/2		
55	91002801800	O-RING	6		1B P18		
56	80316070040	PLUG	2		PF1/4		
57	91002801100	O-RING	2		1B P11		
58	80303130181	FITTING,ELBOW	1		KLO15-030E		
59	80303130201	FITTING,ELBOW	2		KLO15-040E		
60	36604750000	VALVE,RELIEF	1				
61	80400160131	JOINT	1				
71	91071011500	O-RING	1		Y22550-115-A		
72	91470000600	RING,BACKUP	1		Y22021-06		
81	42738311600	COVER	1				
82	42738311700	SUPPORT	1				
83	90201200300	NUT	12		M3		
84	80172303008	SCREW,MACHINE	4		M3X8		
85	90302040301	WASHER,SPRING	12		3		
86	90303070301	WASHER,PLAIN	2		3		
87	82480001103	CATCH	1				
88	80176803008	SCREW,MACHINE	8		M3X8		
89	82464102700	HINGE	2				
101	42736002100	SWITCH ASSY	1				
102	42738081300	PLATE,NAME	1				
103	42738542100	HARNESS	1				
104	42420623600	LAMP ASSY (RED)	1				
105	91810132530	FASTENER	5				
107	82197518119	CAP (PLUS ONE MFG./BLACK)	1				
	82197518114	CAP (MATSUSHITA/BLACK)	1				
127	82105220112	SWITCH,TOGGLE	1				
141	91002801400	O-RING	1		1B P14		

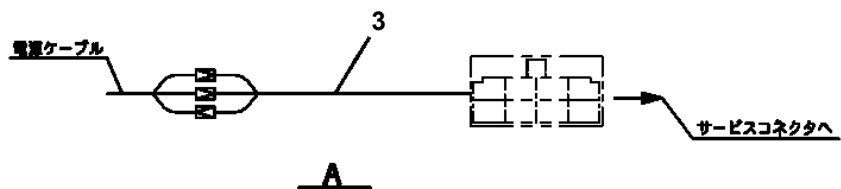
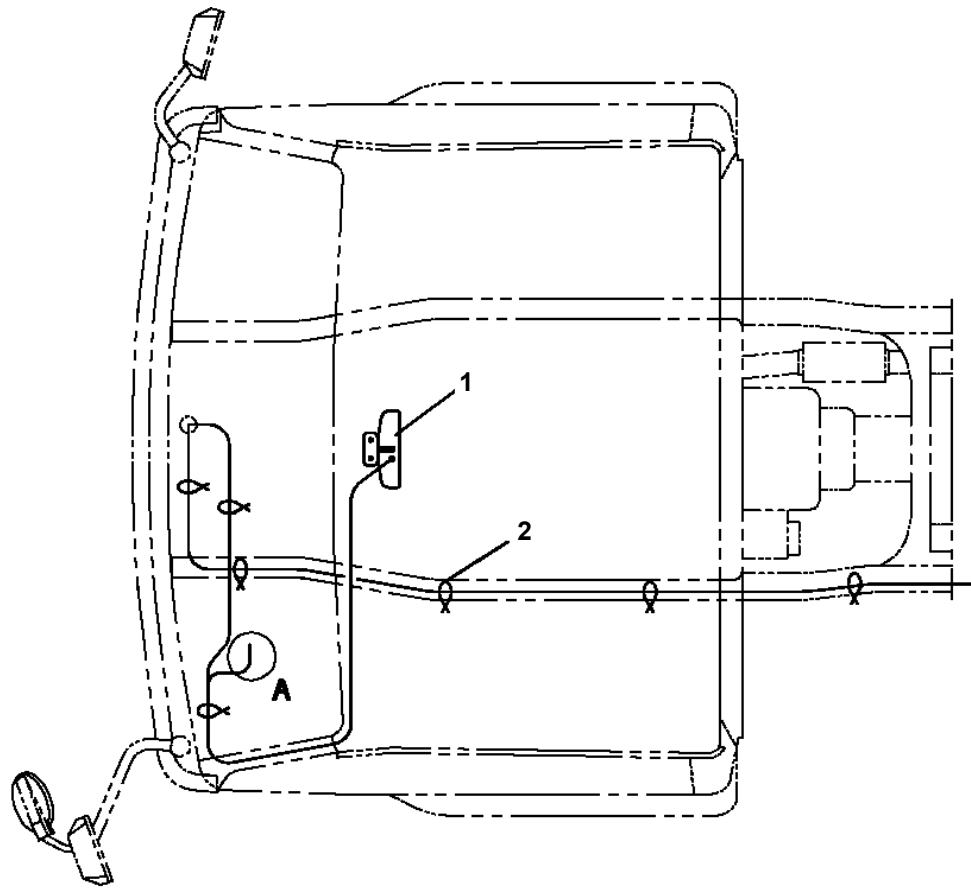
AT-146-1 42095141100 LOWER,ISUZU KK-NKR71E3N 5JXHY

Pos No.	Parts No	Parts Name	Qty	Unit	Technical Data	Serial No (Start)	Serial No (End)	Remarks
1	42737864000	VIEW SYSTEM	1					
2	42737321100	SUPPORT	1					
3	90105225012	BOLT	1		1/4-20UNC L=12			
5	42960121200	PLATE	1					
6	90101206018	BOLT	8		M6X18			
7	90302040601	WASHER,SPRING	8		6			
8	82400000219	GROMMET	1					
9	90201200600	NUT	8		M6			
10	90303070601	WASHER,PLAIN	9		6			
11	91810130240	FASTENER	20					
12	42737861200	SUPPORT	1					
13	42737861300	HARNESS	1					
14	82114102020	CONNECTOR	1					
15	82121102020	HOLDER	1					
16	82111101510	TERMINAL	2					
17	82121101085	PLUG (AVS0.85)	6					
18	82114101040	CONNECTOR (4P,MALE)	1					
19	82121102040	HOLDER (4P,BOTH)	1					
20	82111101010	TERMINAL	4					
21	82420101613	TRIM	1	M				

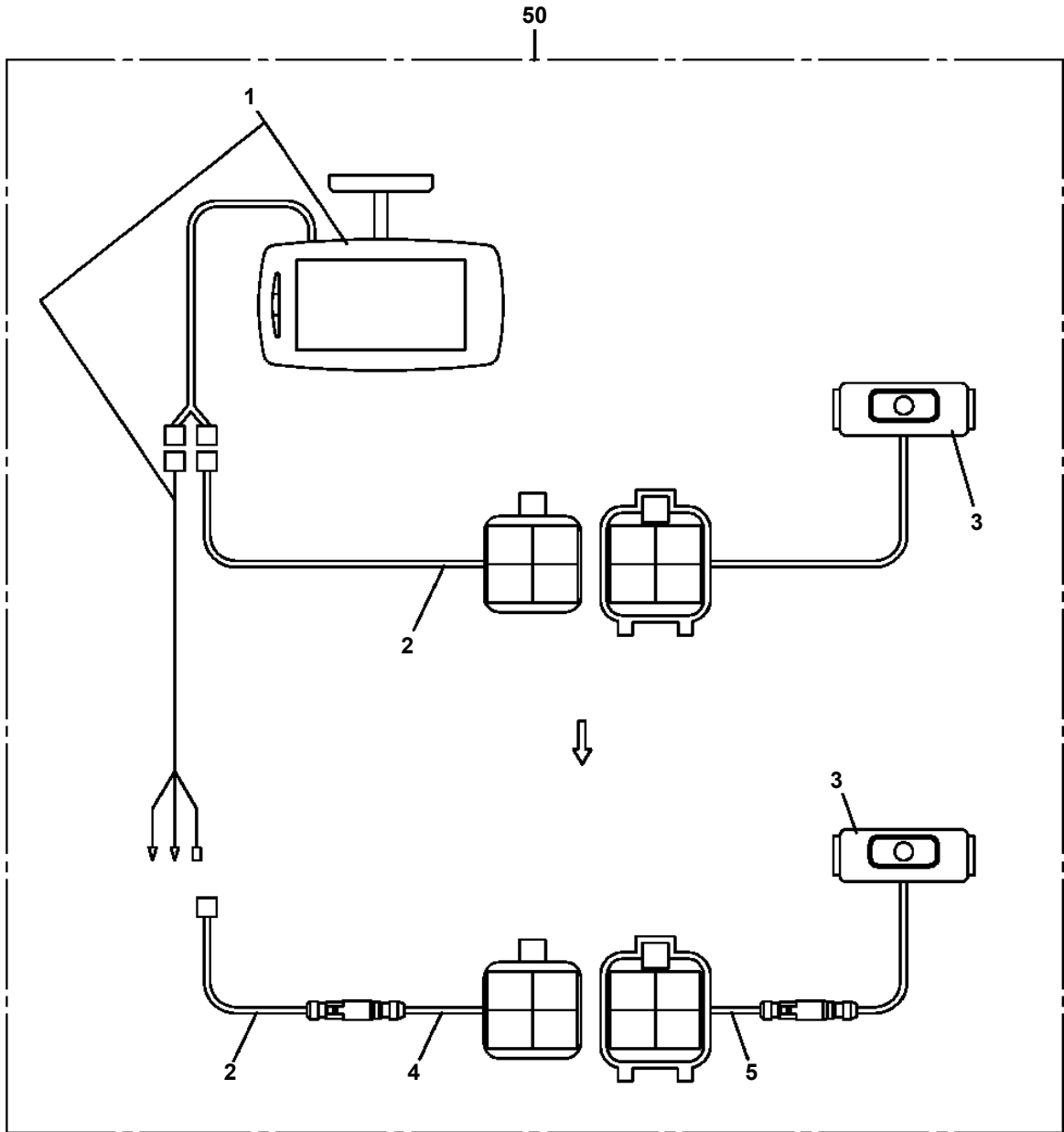
AT-146-1 42095141100 LOWER,ISUZU KK-NKR71E3N 5JXHY
PH1700148-00 VIEW SYSTEM (CAMERA/CLARION)



AT-146-1 42095141100 LOWER,ISUZU KK-NKR71E3N 5JXHY
PH1700164-00 VIEW SYSTEM(COLOR MONITOR:ICHIKOH/ISUZU)



**AT-146-1 42095141100 LOWER,ISUZU KK-NKR71E3N 5JXHY
PH1700169-00 VIEW SYSTEM**

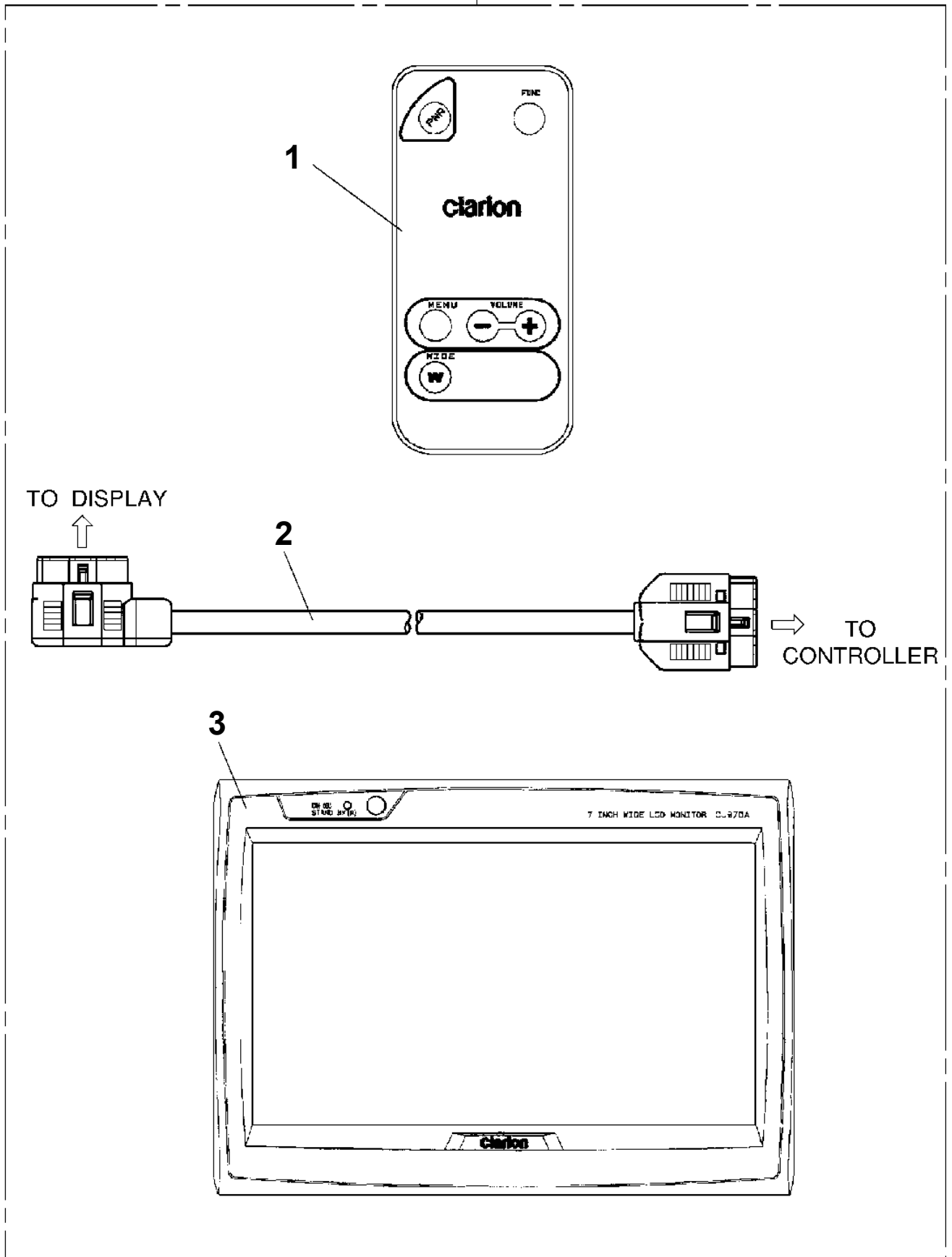


**AT-146-1 42095141100 LOWER,ISUZU KK-NKR71E3N 5JXHY
PH1700197-00 VIEW SYSTEM (B & W MONITOR/ICHIKOH,MITSU**

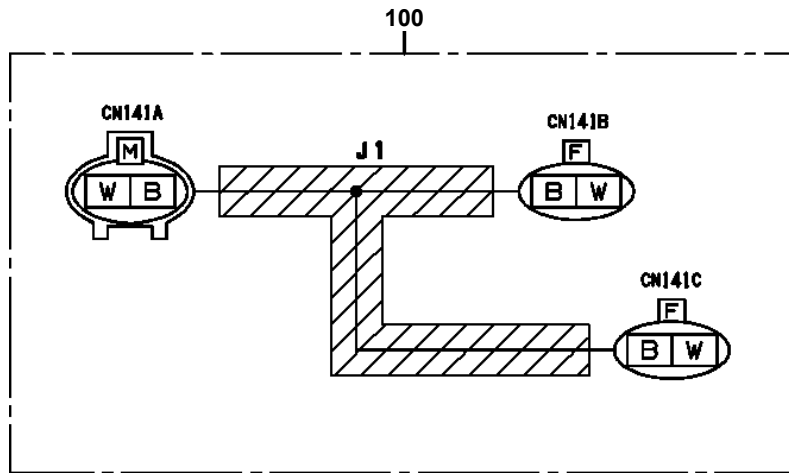
1	ビユー システム (シロクロモニター:イチコウ,ミツビシ) VIEW SYSTEM (B & W MONITOR: ICHIKOU, MITHUBISHI)
2	ビユー システム (カメラ) VIEW SYSTEM (CAMERA)

AT-146-1 42095141100 LOWER,ISUZU KK-NKR71E3N 5JXHY
PH1710009-00 DISPLAY

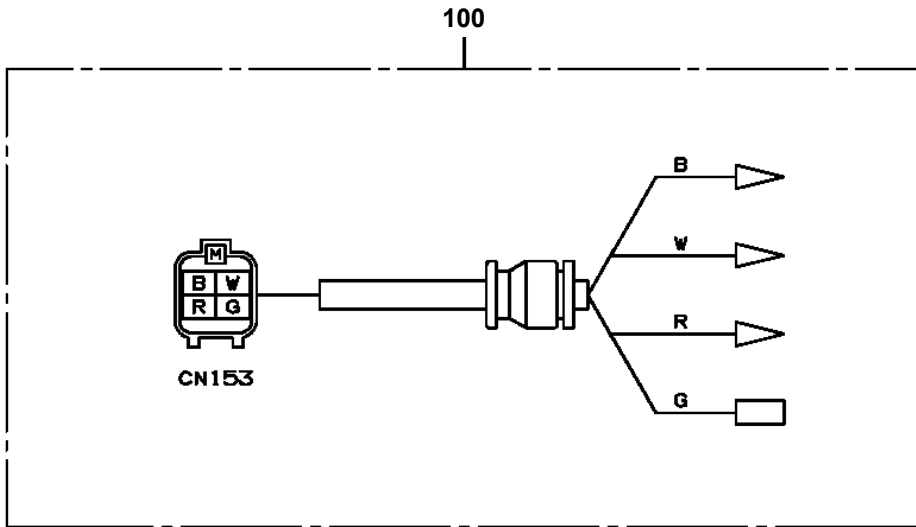
50



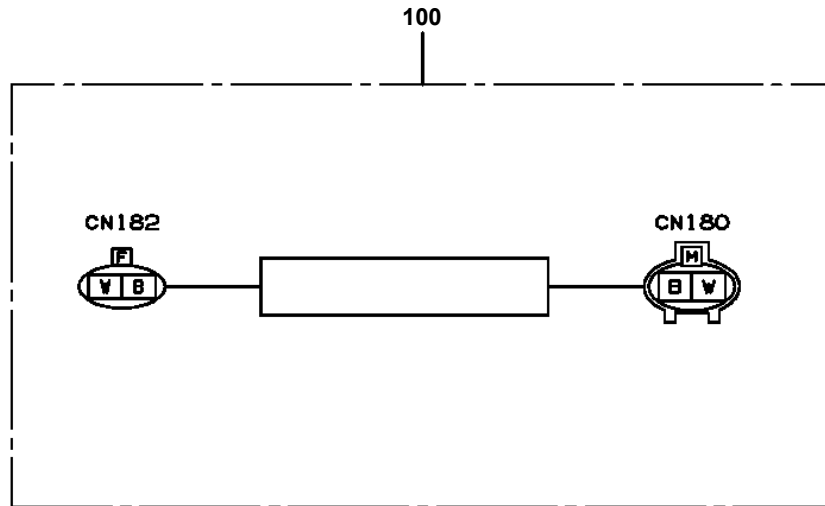
AT-146-1 42095141100 LOWER,ISUZU KK-NKR71E3N 5JXH
PH5031081-00 HARNESS



**AT-146-1 42095141100 LOWER,ISUZU KK-NKR71E3N 5JXHY
PH5032159-00 HARNESS**



**AT-146-1 42095141100 LOWER,ISUZU KK-NKR71E3N 5JXHY
PH5034356-00 HARNESS**



AT-146-1 42095141100 LOWER,ISUZU KK-NKR71E3N 5JXHY

Pos No.	Parts No	Parts Name	Qty	Unit	Technical Data	Serial No (Start)	Serial No (End)	Remarks	P
2	42711650300	HARNES	1						0
3	80182306010	SCREW,MACHINE	4		M6X10				
4	90302040601	WASHER,SPRING	10		6				
5	42713620100	SUPPORT	1						
6	37001706250	CABLE,CONTROL	1						
7	42713620201	SUPPORT	1						
8	90101208020	BOLT	2		M8X20				
9	90302040801	WASHER,SPRING	4		8				
10	42713620300	COVER	1						
11	91850400601	CLAMP	1						
12	82100002006	CLAMP	1		WR10				
13	90303070601	WASHER,PLAIN	4		6				
14	80136320012	PIN,SPLIT	2		2X12				
15	91810130240	FASTENER	3						
16	82100001801	TUBE,CORRUGATE	1	M	7				
17	37000105720	PIN	2						
18	42713620400	SUPPORT	1						
19	90101206014	BOLT	6		M6X14				
20	90201200600	NUT	1		M6				
21	42712320100	SUPPORT	1						
22	90101208030	BOLT	2		M8X30				
23	90201200800	NUT	2		M8				
25	42350250070	PLUG (2 POLES,MALE)	1						
41	80172303008	SCREW,MACHINE	8		M3X8				
42	90302040301	WASHER,SPRING	8		3				
43	80192484008	SCREW,MACHINE	4		M4X8				
44	42710010270	COVER	1						
45	42711290200	SOLENOID ASSY	1						
46	90201200800	NUT	4		M8				
47	90190208030	BOLT	2		M8X30				
48	42710040110	BOLT	1						
49	42710010280	LINK	1						
50	42710200010	CASE	1						
51	16311103000	SPRING	1						
52	37000112850	PIN	2						
53	90303070401	WASHER,PLAIN	2		4				
54	80136316010	PIN,SPLIT	2		1.6X10				
65	82100001706	SOLENOID	2		12V				

CLICK HERE TO **DOWNLOAD** THE COMPLETE MANUAL

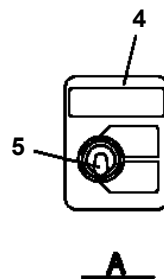
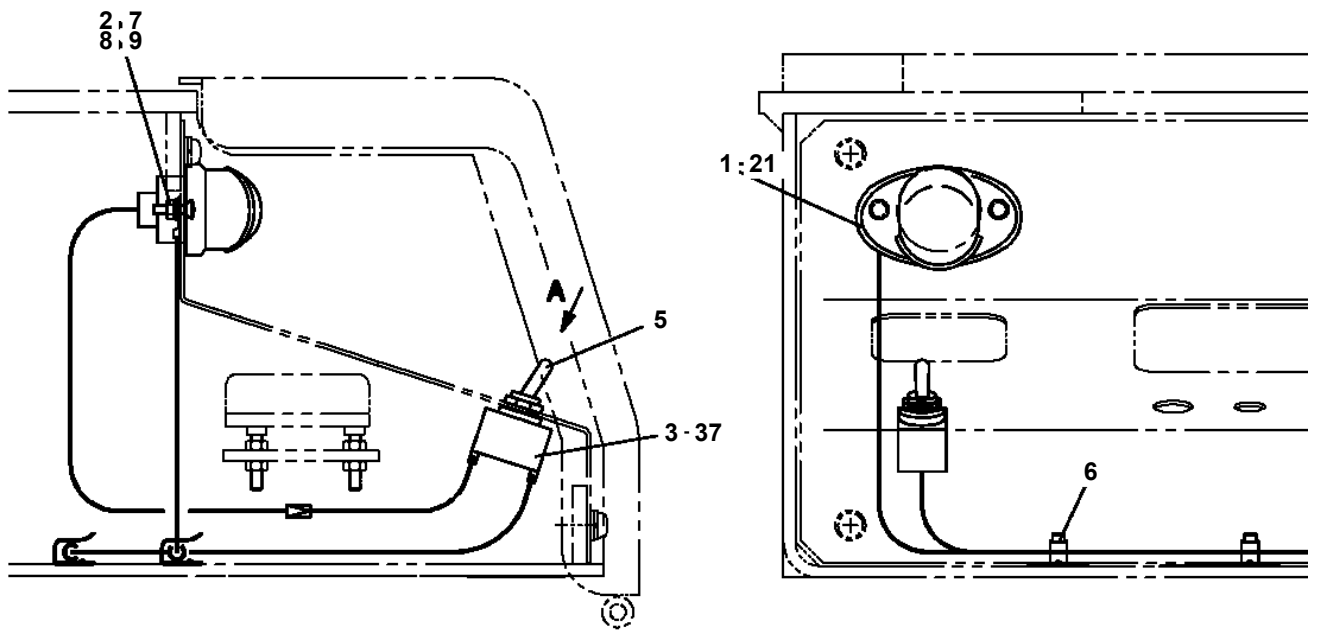
- Thank you very much for reading the preview of the manual.
- You can download the complete manual from: www.heydownloads.com by clicking the link below



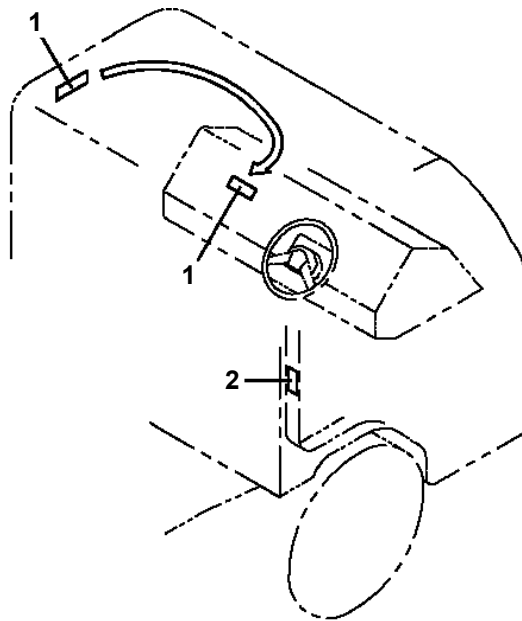
- Please note: If there is no response to CLICKING the link, please download this PDF first and then click on it.

CLICK HERE TO **DOWNLOAD** THE COMPLETE MANUAL

AT-146-1 42095141100 LOWER,ISUZU KK-NKR71E3N 5JXHY
PN1080111-00 LAMP (LEVEL)



AT-146-1 42095141100 LOWER,ISUZU KK-NKR71E3N 5JXHY
 PO1011546-04 PLATE ASSY,NAME (VEHICLE HEIGHT 3.3M)



参考貼付位置

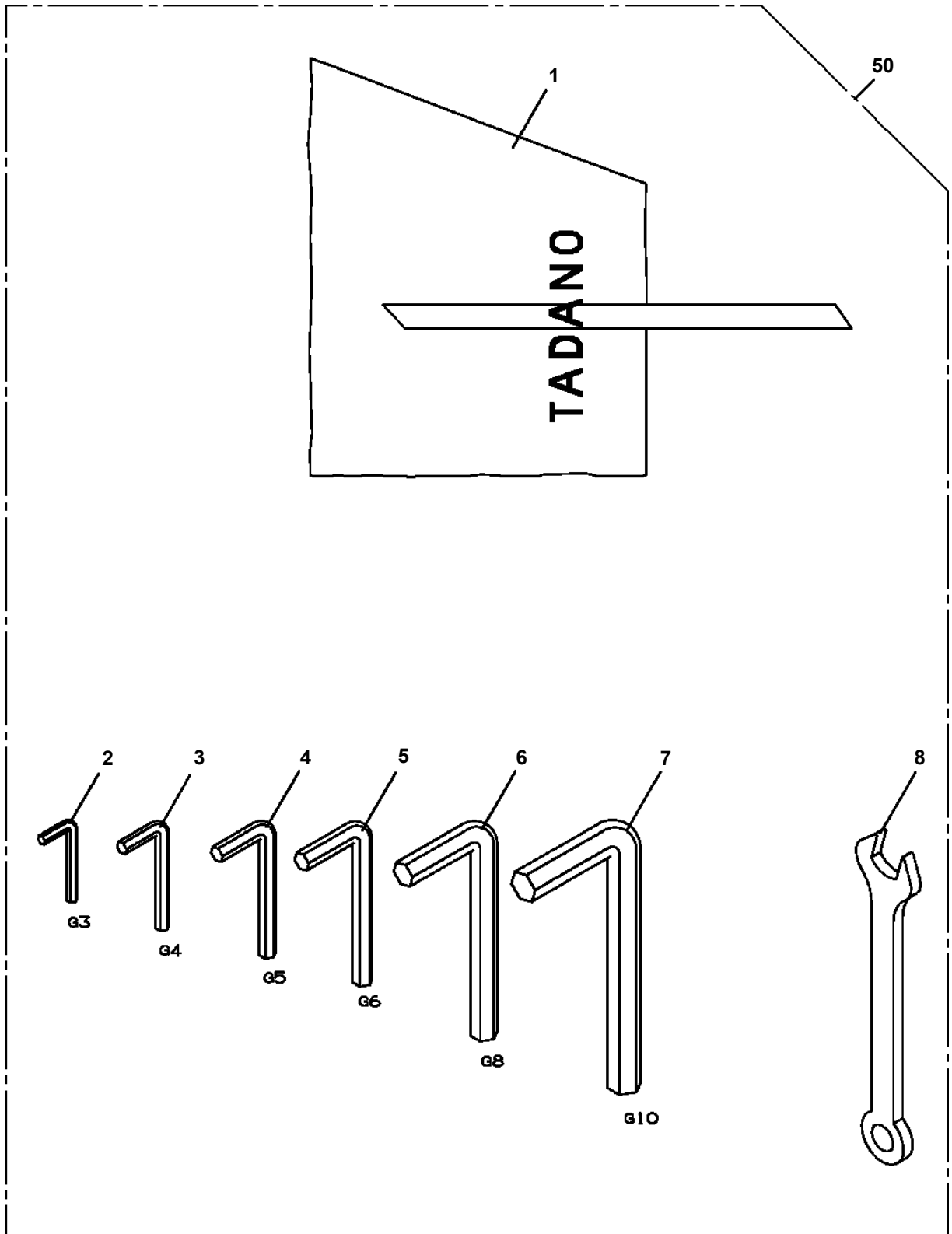
1
 車高 3.3^m

2

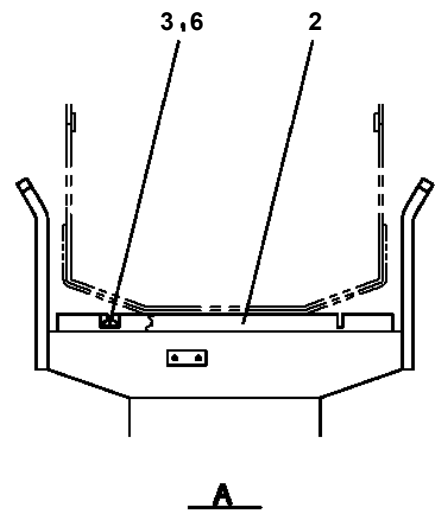
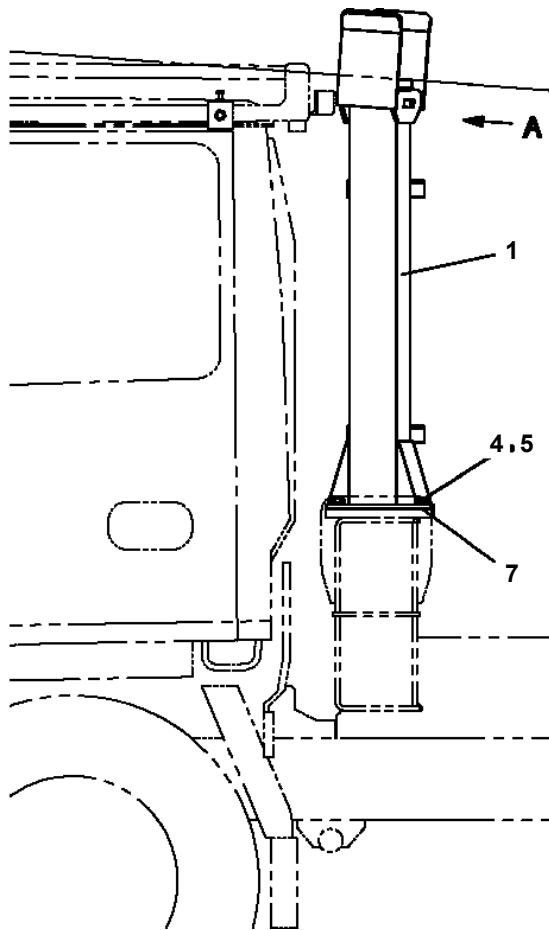
タイヤ空気圧 kPa (kgf/cm ²)		
タイヤサイズ	前輪	後輪
195/85R16 114/112L	600 (6.00)	600 (6.00)
205/80R17.5 120/118L	600 (6.00)	600 (6.00)
205/85R16 117/115L	600 (6.00)	600 (6.00)
215/70R17.5 123/121J	775 (7.75)	775 (7.75)
215/85R16 120/118L	600 (6.00)	600 (6.00)
225/75R16 118/116L	600 (6.00)	600 (6.00)
225/85R16 121/119L	600 (6.00)	600 (6.00)
225/80R17.5 123/122L (14PRL)	700 (7.00)	700 (7.00)
7.00-16-12PRL	575 (5.75)	575 (5.75)
7.50-16-10PRL	525 (5.25)	525 (5.25)
7.50-16-12PRL	600 (6.00)	600 (6.00)
7.50-16-14PRL	650 (6.50)	650 (6.50)
7.50R16-12PRL	650 (6.50)	650 (6.50)
7.50R16-14PRL	700 (7.00)	700 (7.00)

○ 上記の空気圧を標準してください
 370-022-24450

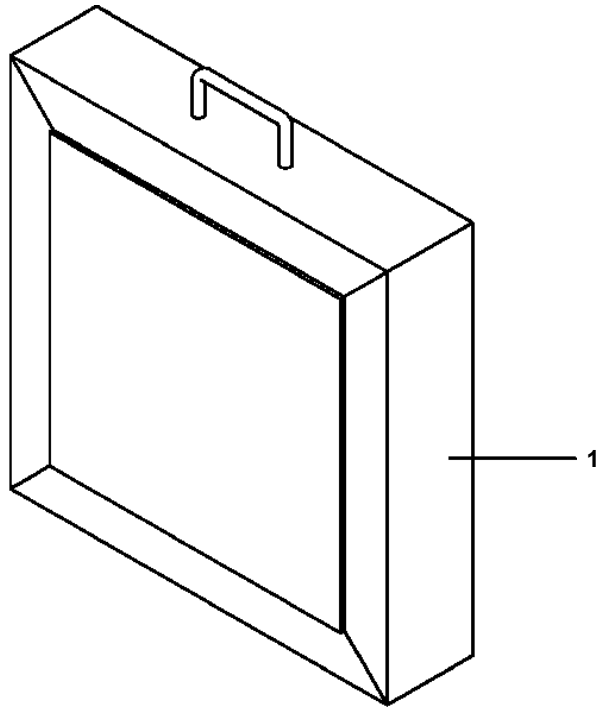
AT-146-1 42095141100 LOWER,ISUZU KK-NKR71E3N 5JXHY
PW1030047-01 TOOLS



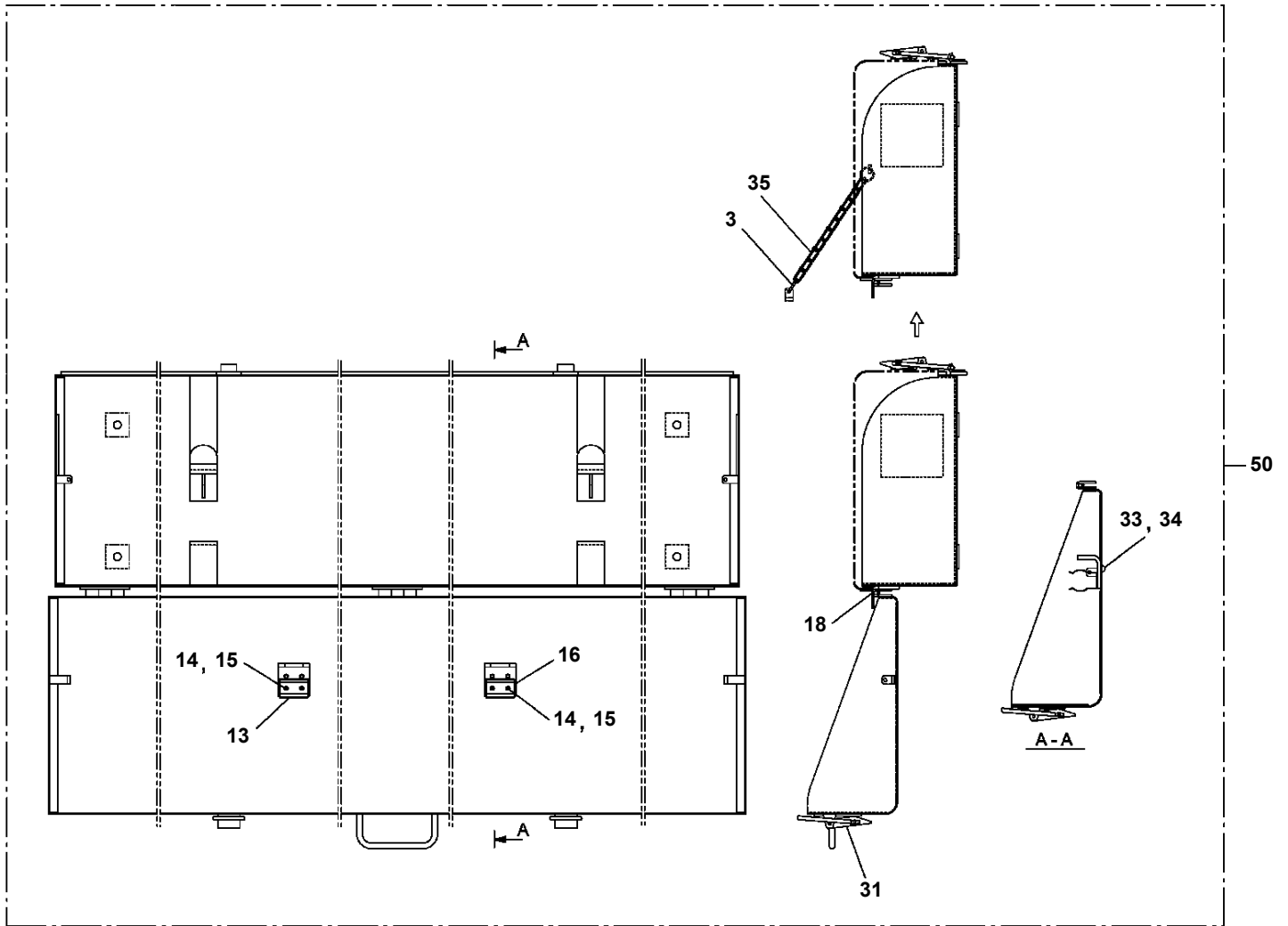
AT-146-1 42095141100 LOWER,ISUZU KK-NKR71E3N 5JXHY
PX1120400-00 BOOM REST



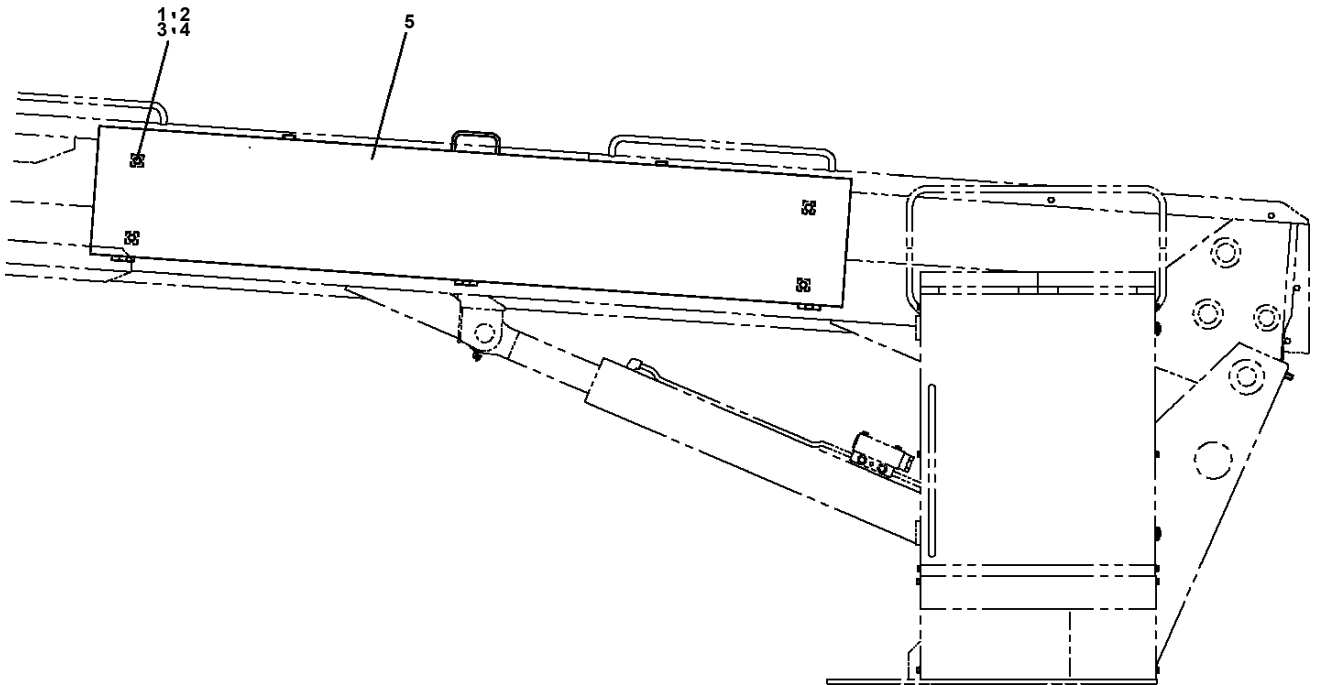
**AT-146-1 42095141100 LOWER,ISUZU KK-NKR71E3N 5JXHY
PX1270086-01 WOOD BLOCK (W=350,H=80)**



AT-146-1 42095141100 LOWER,ISUZU KK-NKR71E3N 5JXHY
PX1350304-01 BOX,TOOL (BOOM,LEFT SIDE)



AT-146-1 42095141100 LOWER,ISUZU KK-NKR71E3N 5JXHY
PX1350476-00 BOX,TOOL (MOUNT,BOOM LEFT SIDE)



AT-146-1 42095141100 LOWER,ISUZU KK-NKR71E3N 5JXHY

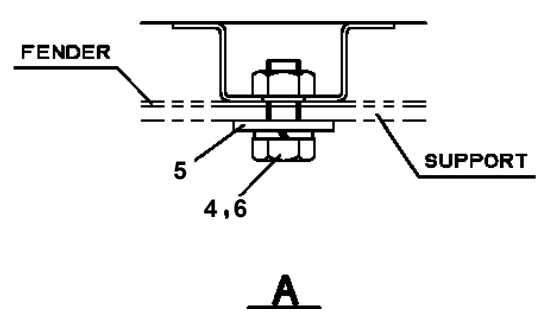
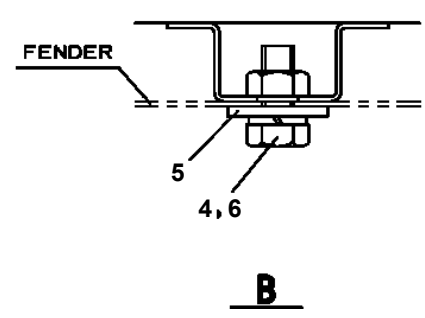
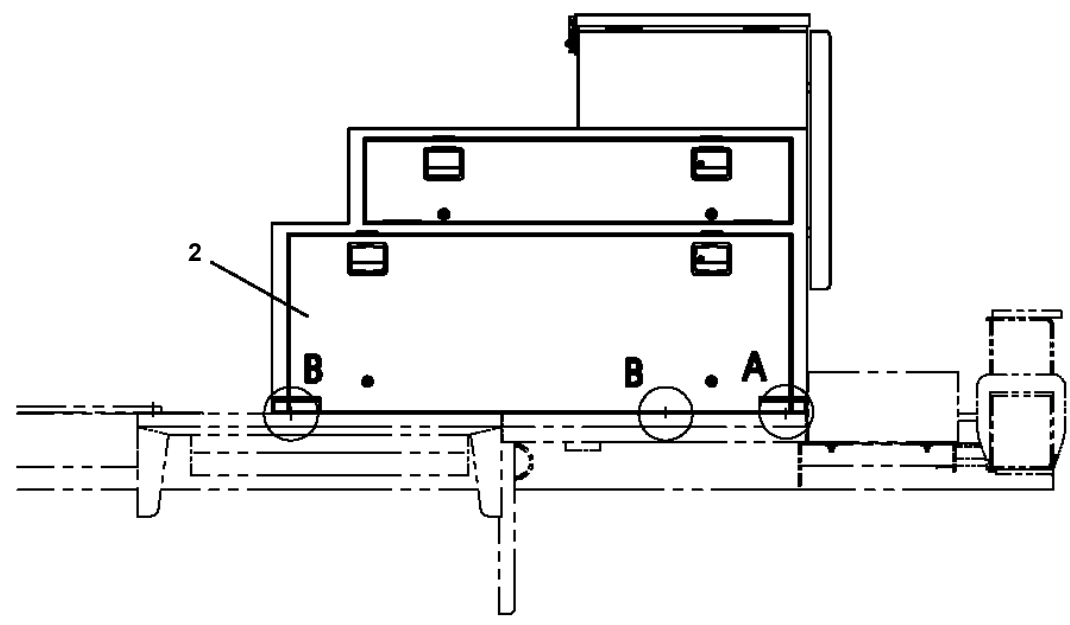
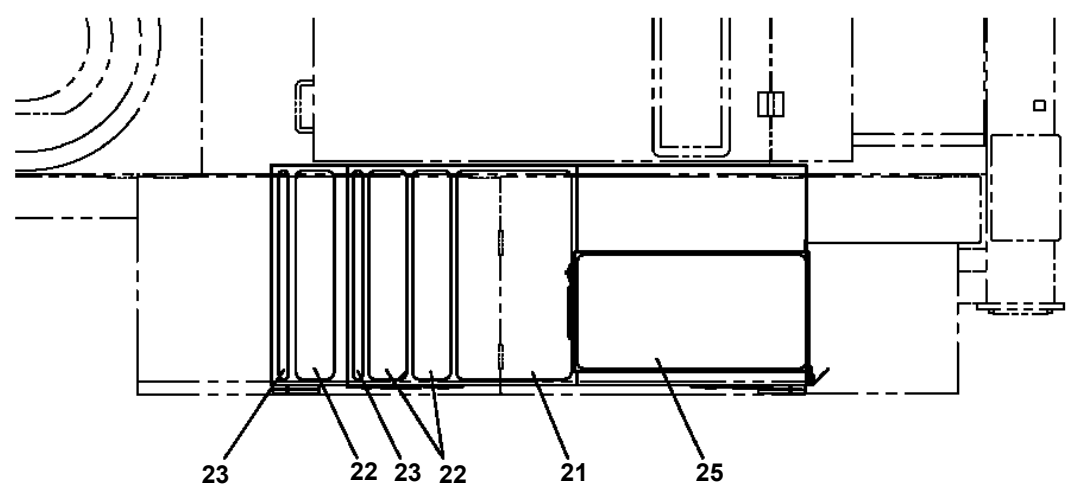
Pos No.	Parts No	Parts Name	Qty	Unit	Technical Data	Serial No (Start)	Serial No (End)	Remarks	Pages
1	42834171000	BOX,TOOL	1						00010
2	90101210025	BOLT	5		M10X25				
3	90302041001	WASHER,SPRING	9		10				
4	42831380050	PLATE	1						
5	37000505950	PLATE	5		T=3.2				
	37000505950	PLATE	5		T=3.2	227940			
6	42832982000	STEP	1						
7	90101210020	BOLT	4		M10X20				
8	90303071001	WASHER,PLAIN	4		10				
31	34393926530	PLATE (NON-SLIP)	2						
32	42393891070	PLATE (NON-SLIP)	1						
33	42833782010	PLATE (NON-SLIP)	3						
34	42833782020	PLATE (NON-SLIP)	3						
35	42393312020	PLATE (NON-SLIP)	1						
36	34393906550	PLATE (NON-SLIP)	2						
37	42394484010	PLATE (NON-SLIP)	1						
38	42393891060	PLATE (NON-SLIP)	2						
39	42394441030	PLATE (NON-SLIP)	1						

AT-146-1 42095141100 LOWER,ISUZU KK-NKR71E3N 5JXHY

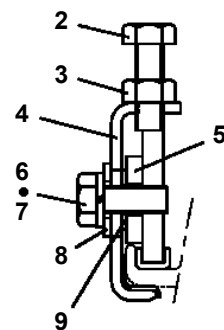
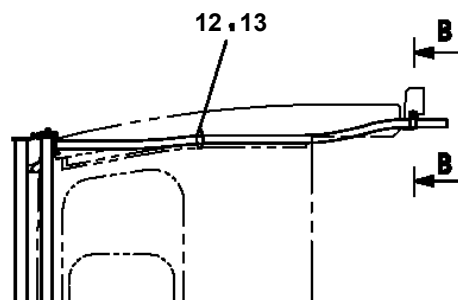
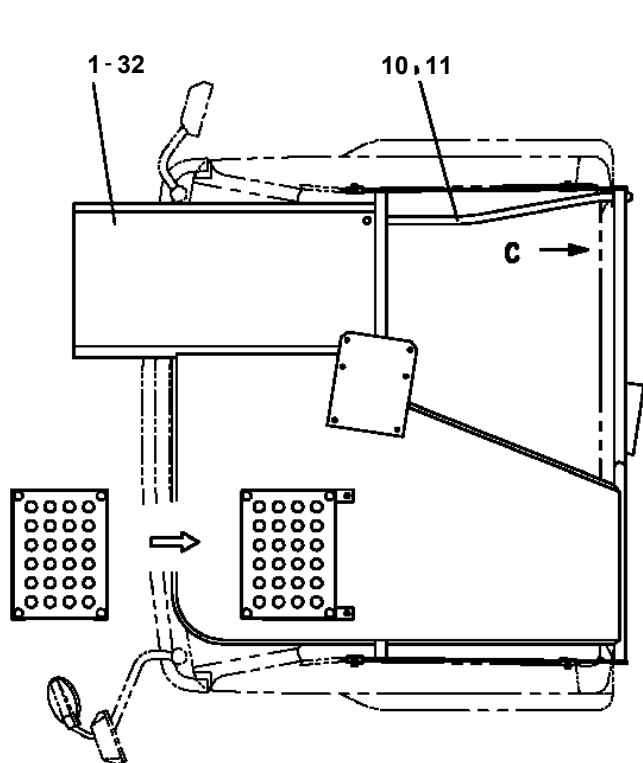
Pos No.	Parts No	Parts Name	Qty	Unit	Technical Data	Serial No (Start)	Serial No
1	42834051000	BOX,TOOL (LEFT,FOR CHUBUDENRYOKU)	1				
2	90101210025	BOLT	5		M10X25		
3	90302041001	WASHER,SPRING	5		10		
4	37000505950	PLATE	5		T=3.2		
5	37000559610	PLATE	3				
7	42833772000	STEP	1				
8	90101212022	BOLT	4		M12X22		
9	90302041201	WASHER,SPRING	4		12		
21	42392980010	PLATE (NON-SLIP)	6				
22	42833782010	PLATE (NON-SLIP)	6				
23	42393891070	PLATE (NON-SLIP)	2				

AT-146-1 42095141100 LOWER,ISUZU KK-NKR71E3N 5JXHY
PX1350655-00 BOX,TOOL (RIGHT/FOR TOCHIDENKO)

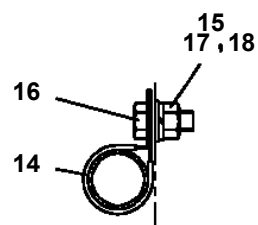
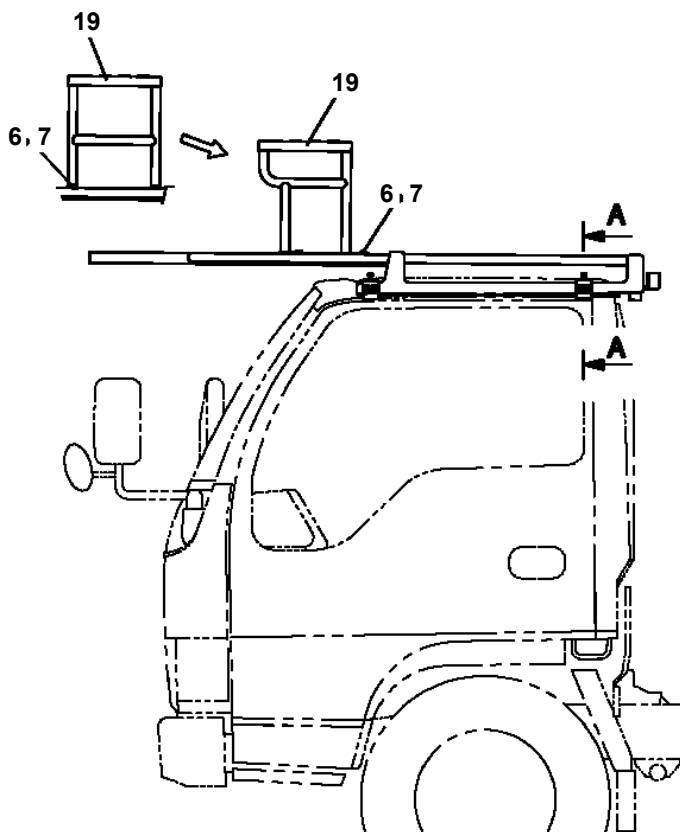
→ FRONT



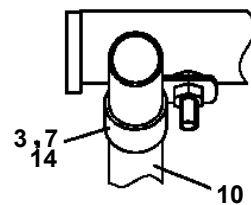
**AT-146-1 42095141100 LOWER,ISUZU KK-NKR71E3N 5JXHY
PX1370208-01 GUARD,CAB**



A-A

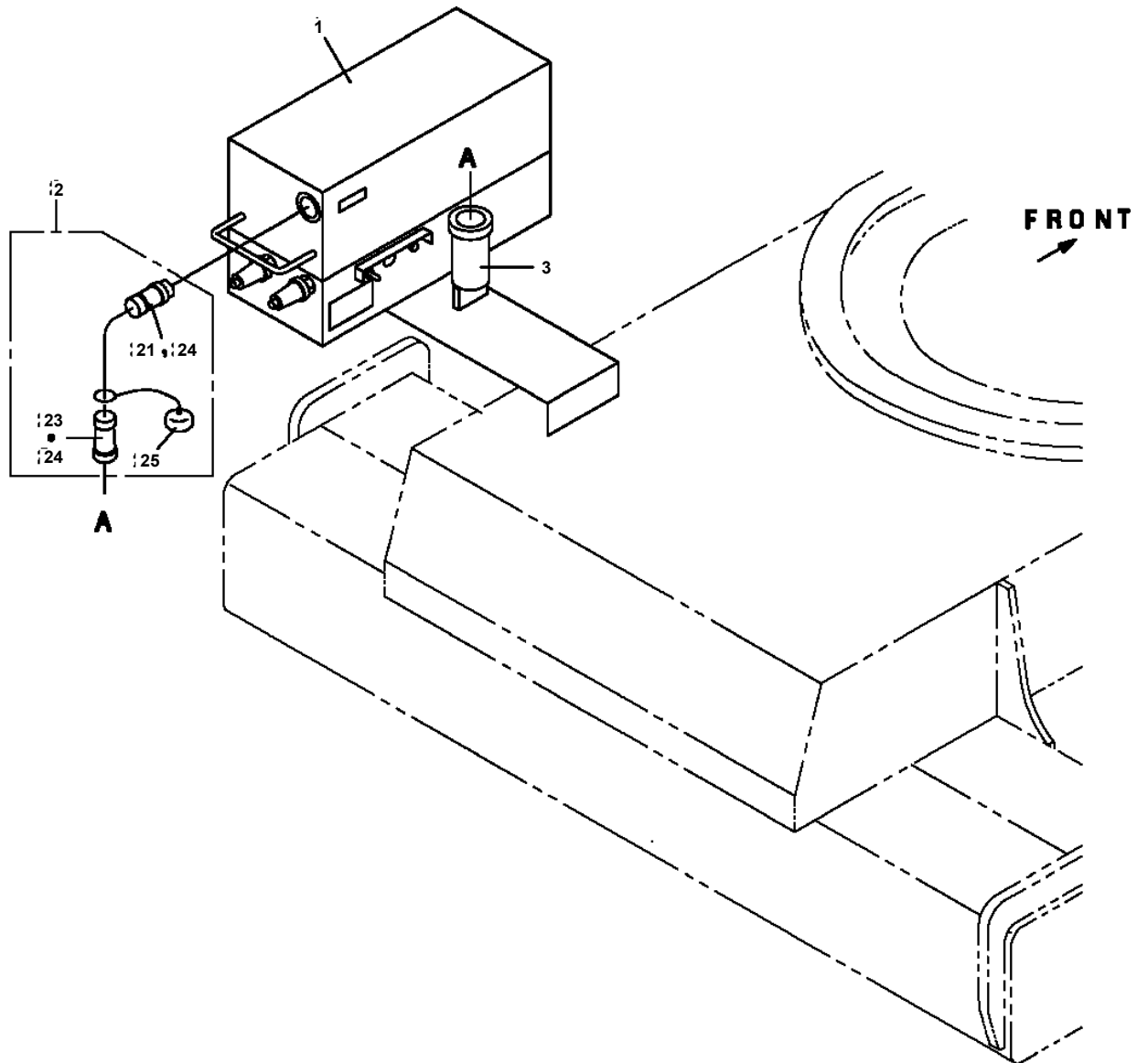


B-B



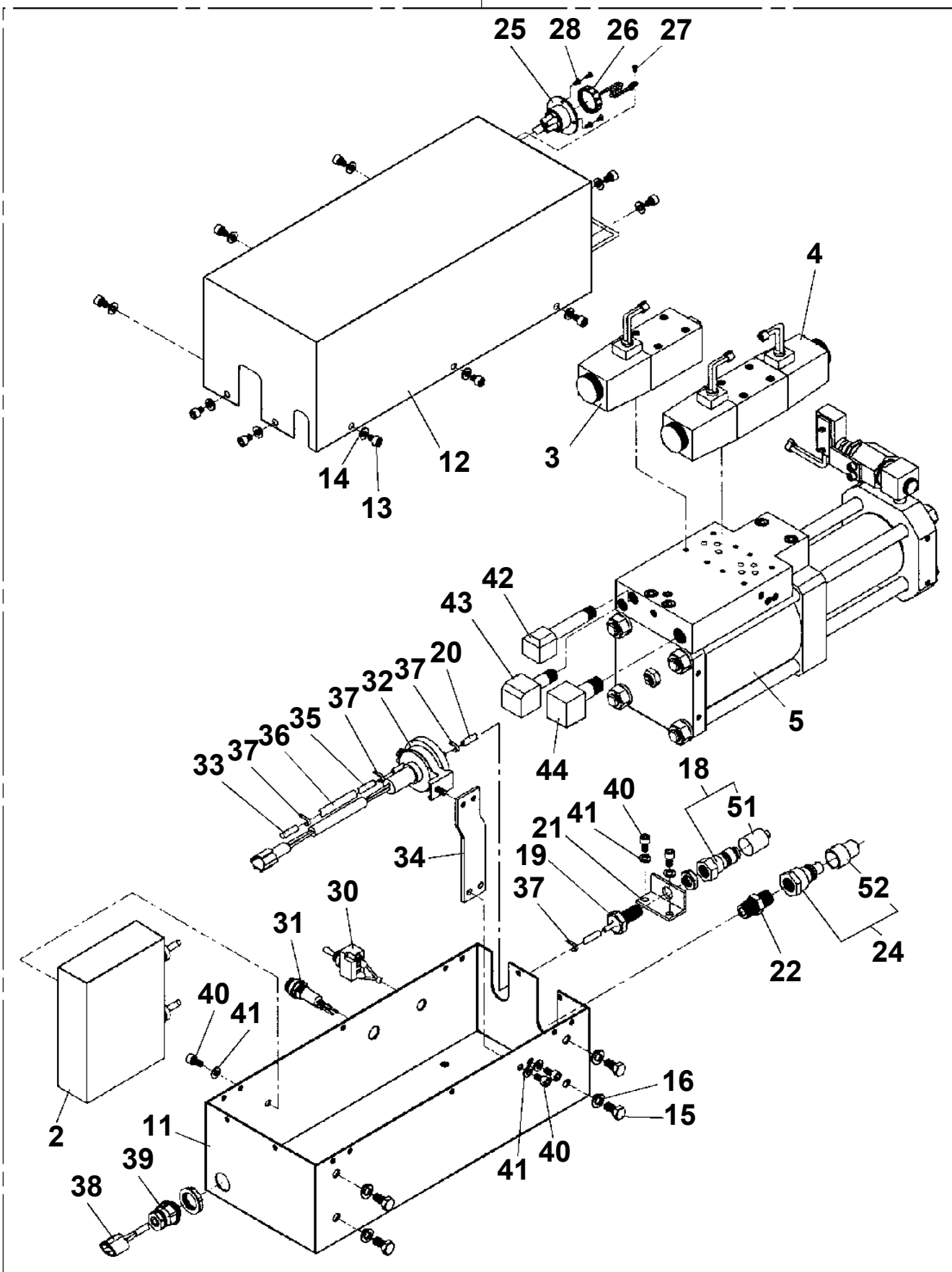
C

**AT-146-1 42095141100 LOWER,ISUZU KK-NKR71E3N 5JXHY
PY1160139-00 BOOSTER (LOWER HYDRAULIC OUTLET)**

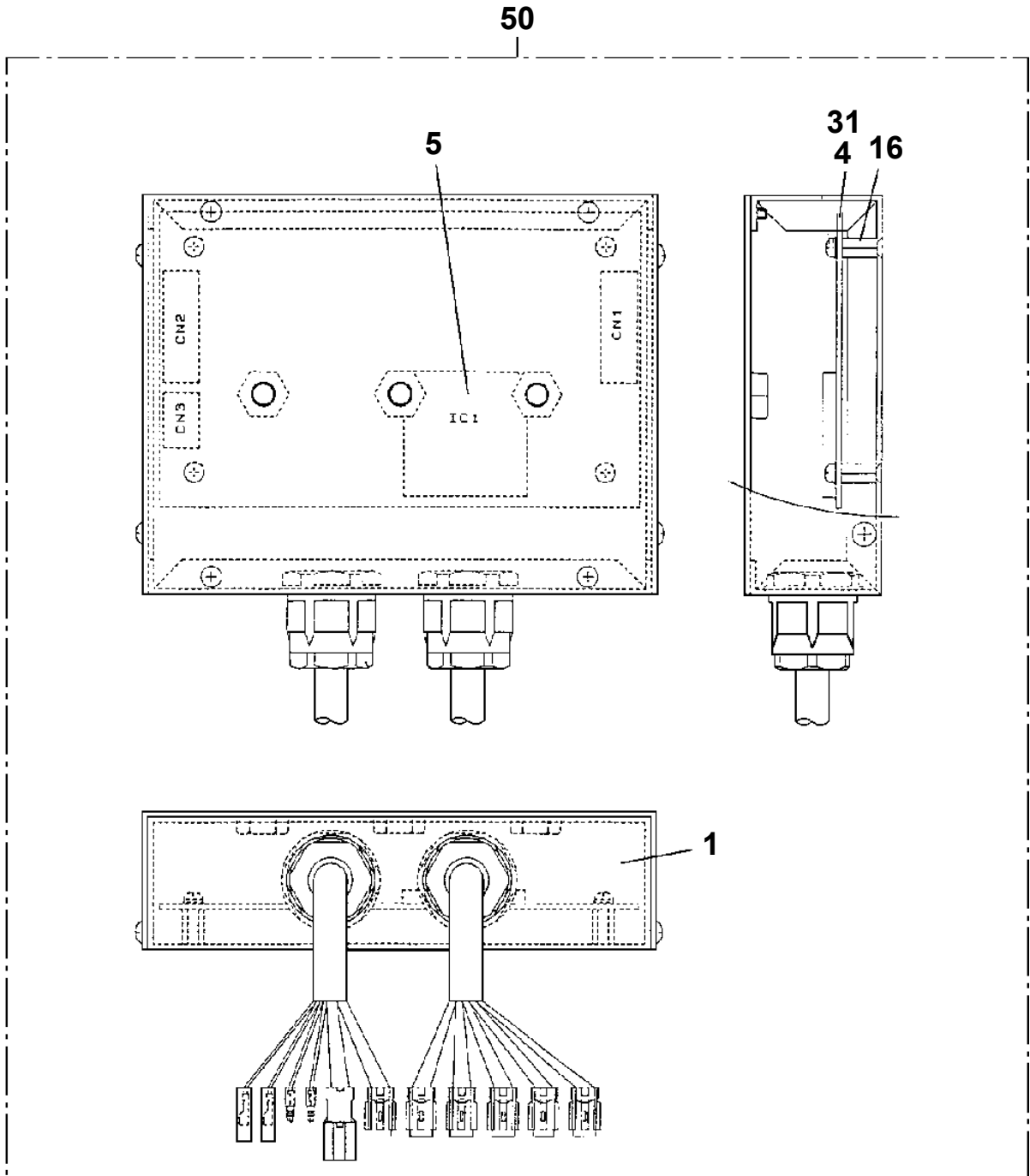


AT-146-1 42095141100 LOWER,ISUZU KK-NKR71E3N 5JXHY
PY1170026-01 BOOSTER

50



AT-146-1 42095141100 LOWER,ISUZU KK-NKR71E3N 5JXHY
PY1240015-00 CONTROL UNIT (BOOSTER)



CLICK HERE TO **DOWNLOAD** THE COMPLETE MANUAL

- Thank you very much for reading the preview of the manual.
- You can download the complete manual from: www.heydownloads.com by clicking the link below



- Please note: If there is no response to CLICKING the link, please download this PDF first and then click on it.

CLICK HERE TO **DOWNLOAD** THE COMPLETE MANUAL