

**AT-146-3 43011140300 LOWER,ISUZU PDG-NKR85YN-EN5AHY-M**

PO1000171-00 INDICATION PLATES

PX2000989-01 CARRIER UNIT

PX3000513-00 MOUNTING UNIT

ASSEMBLY

CLICK HERE TO **DOWNLOAD** THE COMPLETE MANUAL

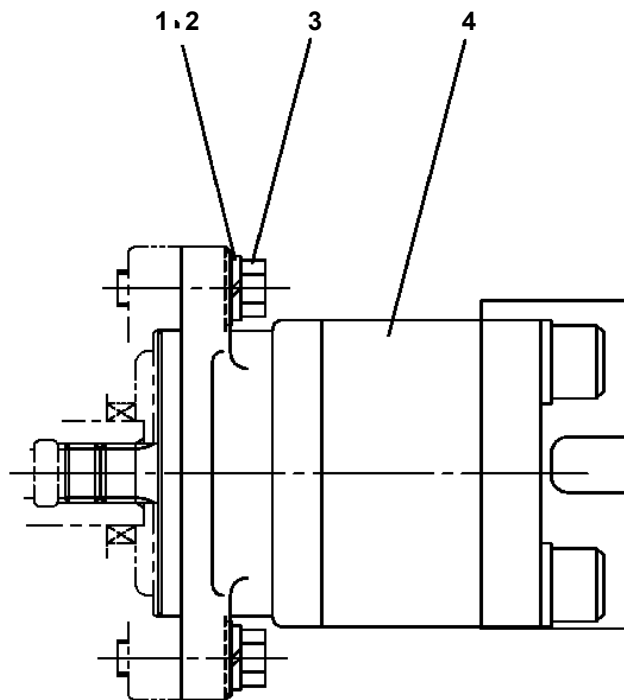
- Thank you very much for reading the preview of the manual.
- You can download the complete manual from: [www.heydownloads.com](http://www.heydownloads.com) by clicking the link below



- Please note: If there is no response to CLICKING the link, please download this PDF first and then click on it.

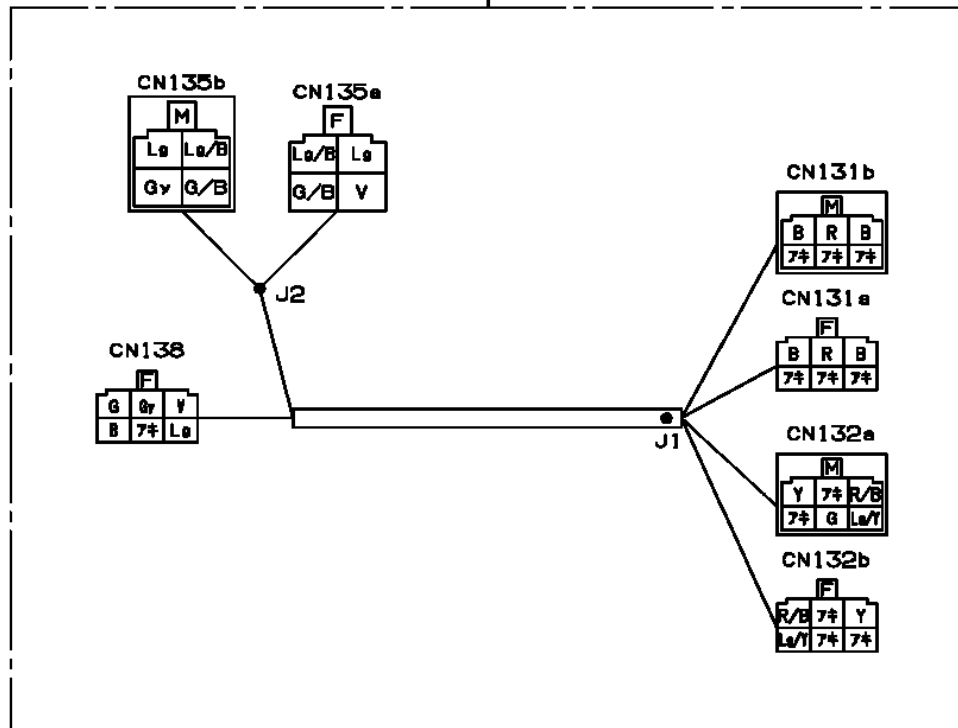
CLICK HERE TO **DOWNLOAD** THE COMPLETE MANUAL

**AT-146-3 43011140300 LOWER,ISUZU PDG-NKR85YN-EN5AHY-M  
PB1110007-01 PUMP INSTALLATION**



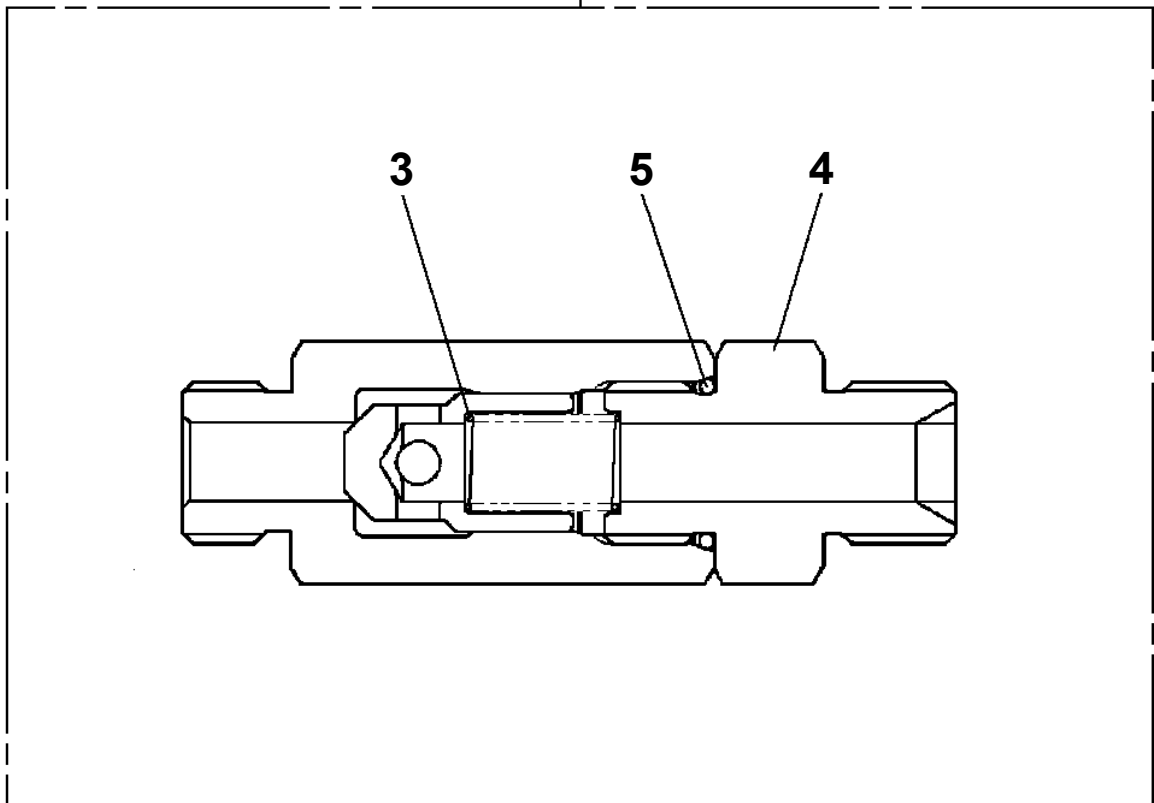
AT-146-3 43011140300 LOWER,ISUZU PDG-NKR85YN-EN5AHY-M  
PH5031090-00 HARNESS

100



**AT-146-3 43011140300 LOWER,ISUZU PDG-NKR85YN-EN5AHY-M  
PI1140188-00 VALVE,CHECK**

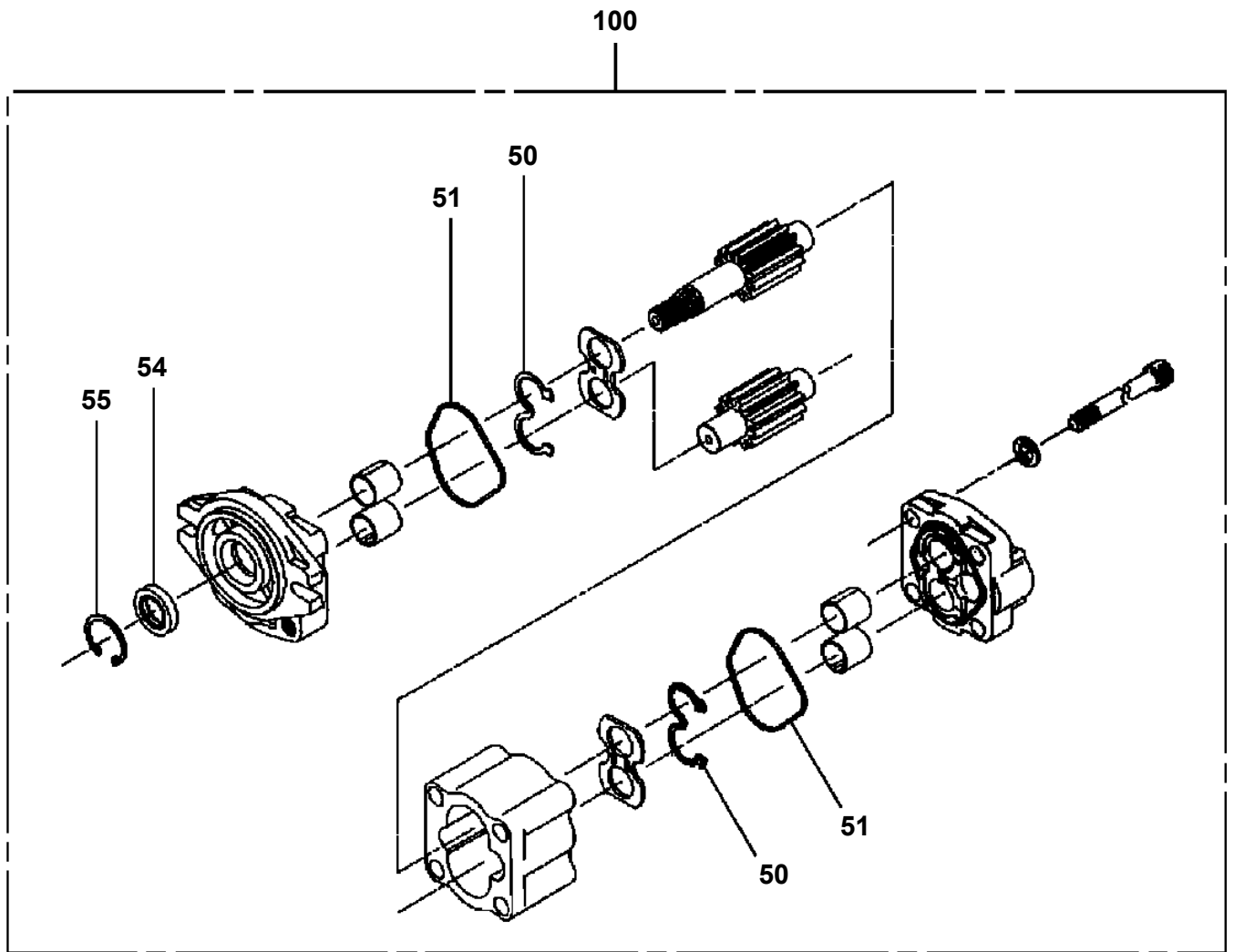
**50**



**AT-146-3 43011140300 LOWER,ISUZU PDG-NKR85YN-EN5AHY-M**

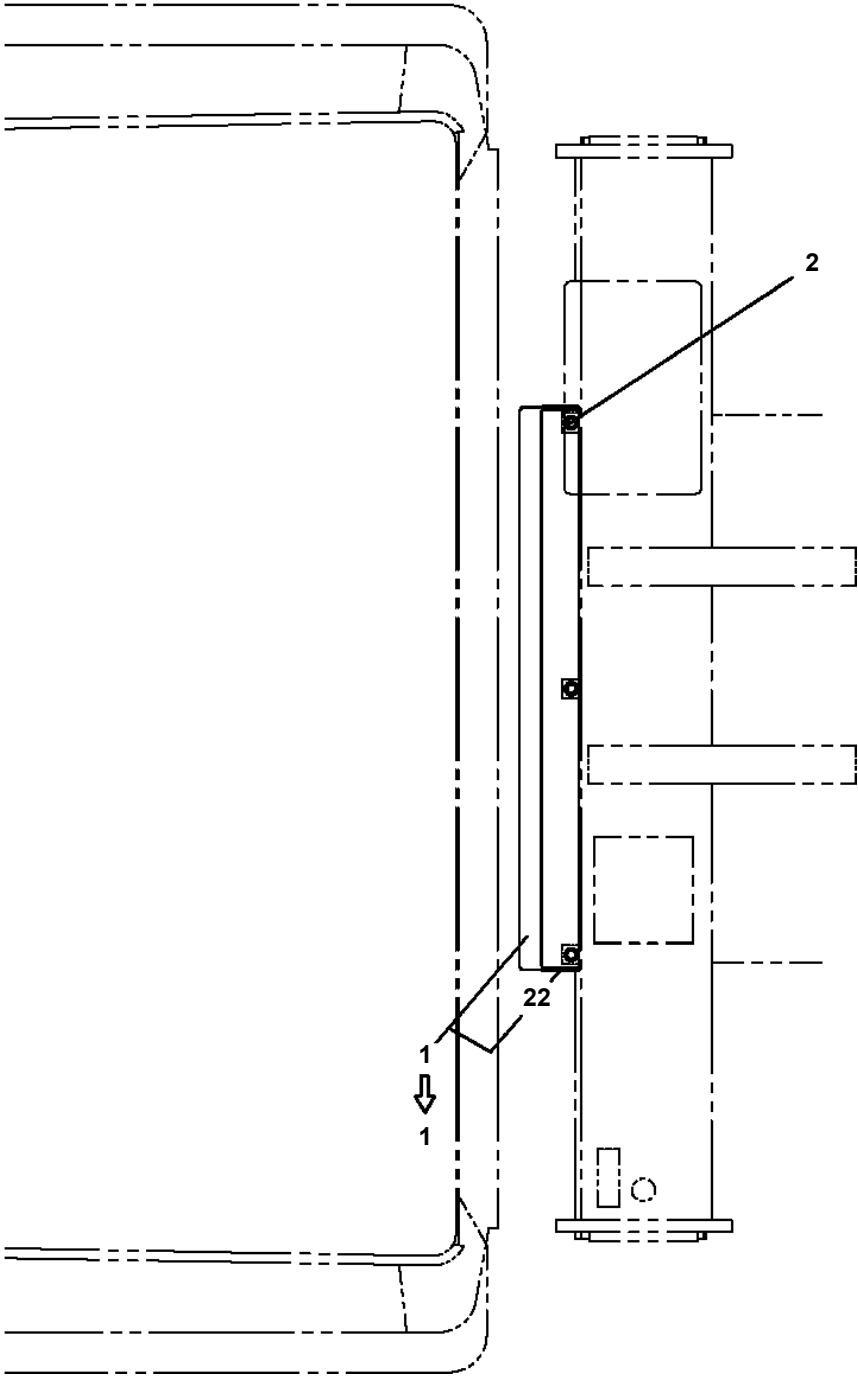
Pos No.	Parts No	Parts Name	Qty	Unit	Technical Data	Serial No (Start)	Serial No (End)	Remarks
1	82161201010	RELAY	1				229051	
2	90302040601	WASHER,SPRING	1		6		229051	
3	90101206014	BOLT	1		M6X14		229051	
4	42935430101	HARNESS	1					
5	82100002596	RELAY	1				229051	
6	80197585012	SCREW,MACHINE	2		M5X12	229052		
7	34354781720	RELAY (WITH HARNESS)	1			229052		
8	34354781740	RELAY	1			229052		

AT-146-3 43011140300 LOWER,ISUZU PDG-NKR85YN-EN5AHY-M  
PP5500003-00 PUMP,OIL (32CC:L)



AT-146-3 43011140300 LOWER,ISUZU PDG-NKR85YN-EN5AHY-M  
PX1250181-01 COVER (CAB BACK)

FRONT ←



# AT-146-3 43011140300 LOWER,ISUZU PDG-NKR85YN-EN5AHY-M

Pos No.	Parts No	Parts Name	Qty	Unit	Technical Data	Serial No (Start)	Serial No (End)	Remarks	Pages
1	42786950100	SUPPORT	1				228297		
	42787030401	SUPPORT	1			228298			
2	90171110030	BOLT	9		M10X30				
3	90201781000	NUT	9		M10				
4	90302041001	WASHER,SPRING	9		10				
5	90303071001	WASHER,PLAIN	8		10				
6	90101208025	BOLT	3		M8X25				
7	90302040801	WASHER,SPRING	6		8				
8	90303070801	WASHER,PLAIN	2		8				
9	90201200800	NUT	4		M8				
10	82100002016	CLAMP	1		WR25				
11	42787030100	SUPPORT	1				228297		
	42787030101	SUPPORT	1			228298			
12	90101208016	BOLT	2		M8X16				
13	42787030200	SUPPORT	1				228297		
	42787030501	SUPPORT	1			228298			
14	42787030300	SUPPORT	1						
15	42787400010	NUT	1		M8	228410			

CLICK HERE TO **DOWNLOAD** THE COMPLETE MANUAL

- Thank you very much for reading the preview of the manual.
- You can download the complete manual from: [www.heydownloads.com](http://www.heydownloads.com) by clicking the link below



- Please note: If there is no response to CLICKING the link, please download this PDF first and then click on it.

CLICK HERE TO **DOWNLOAD** THE COMPLETE MANUAL