

AT-146-2 42095260500 LOWER, TOYOTA KK-XZU350H-TKMSS6

PO1000127-01 INDICATION PLATES

PX2000205-00 CARRIER UNIT

ASSEMBLY

CLICK HERE TO **DOWNLOAD** THE COMPLETE MANUAL

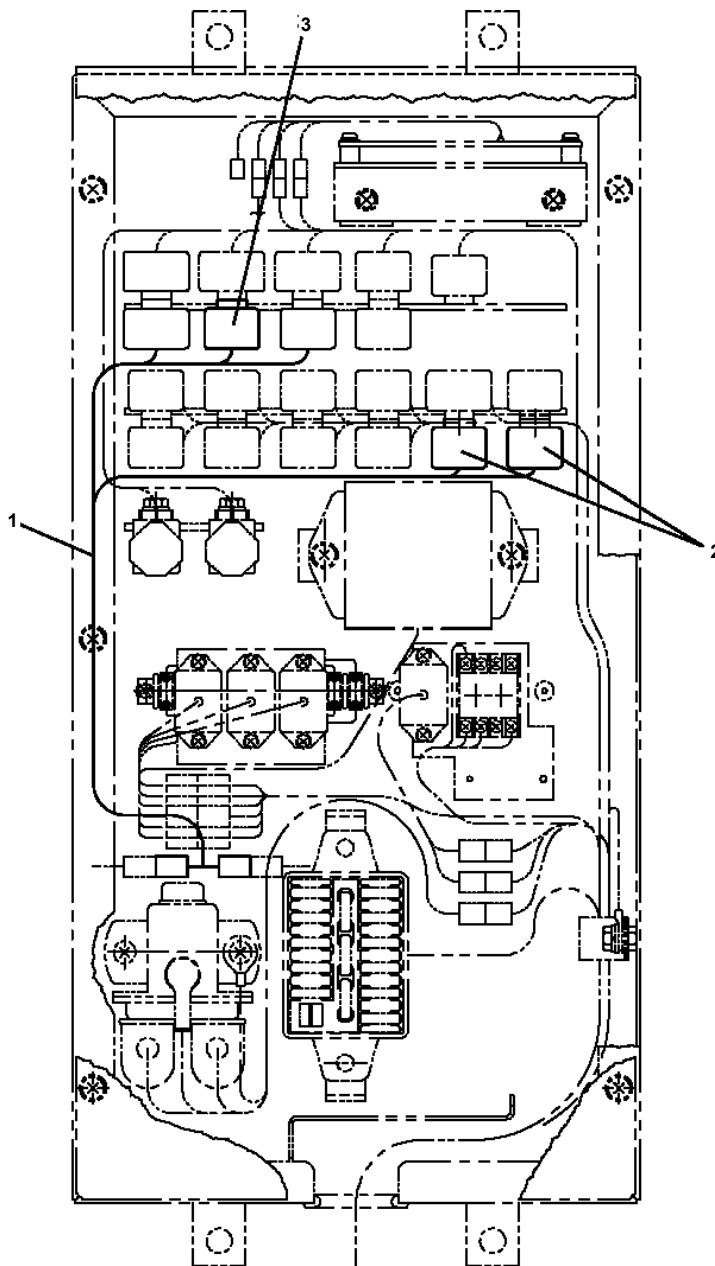
- Thank you very much for reading the preview of the manual.
- You can download the complete manual from: www.heydownloads.com by clicking the link below



- Please note: If there is no response to CLICKING the link, please download this PDF first and then click on it.

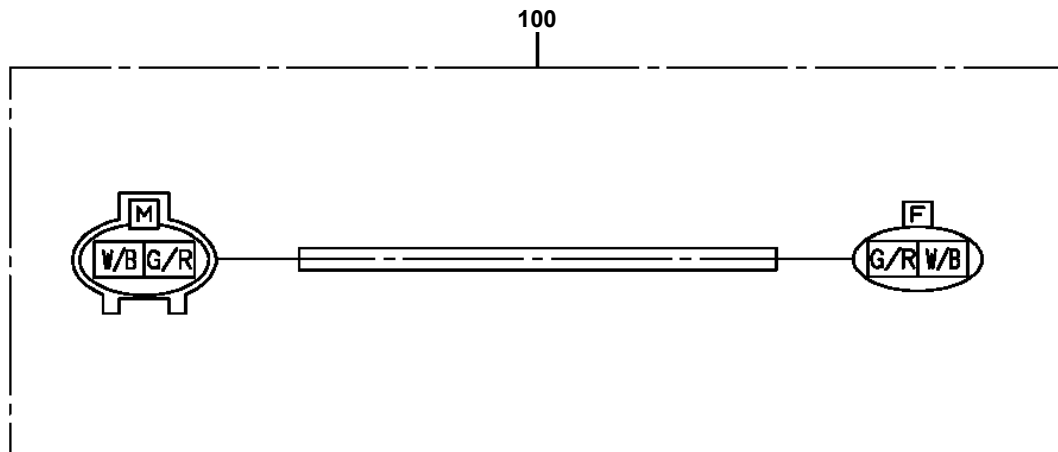
CLICK HERE TO **DOWNLOAD** THE COMPLETE MANUAL

AT-146-2 42095260500 LOWER,TOYOTA KK-XZU350H-TKMSS6
PB1380164-00 POWER SUPPLY (ENGINE/WIRING,MODIFI.)

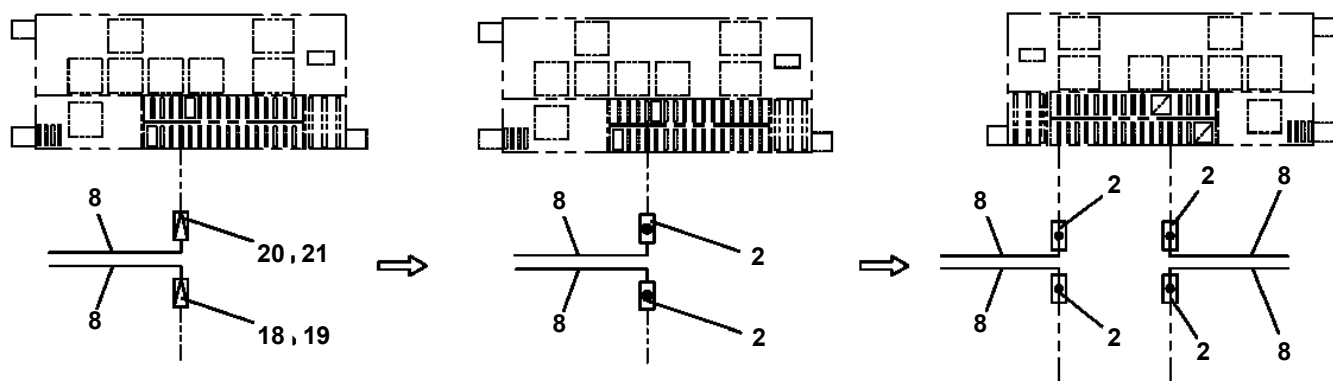
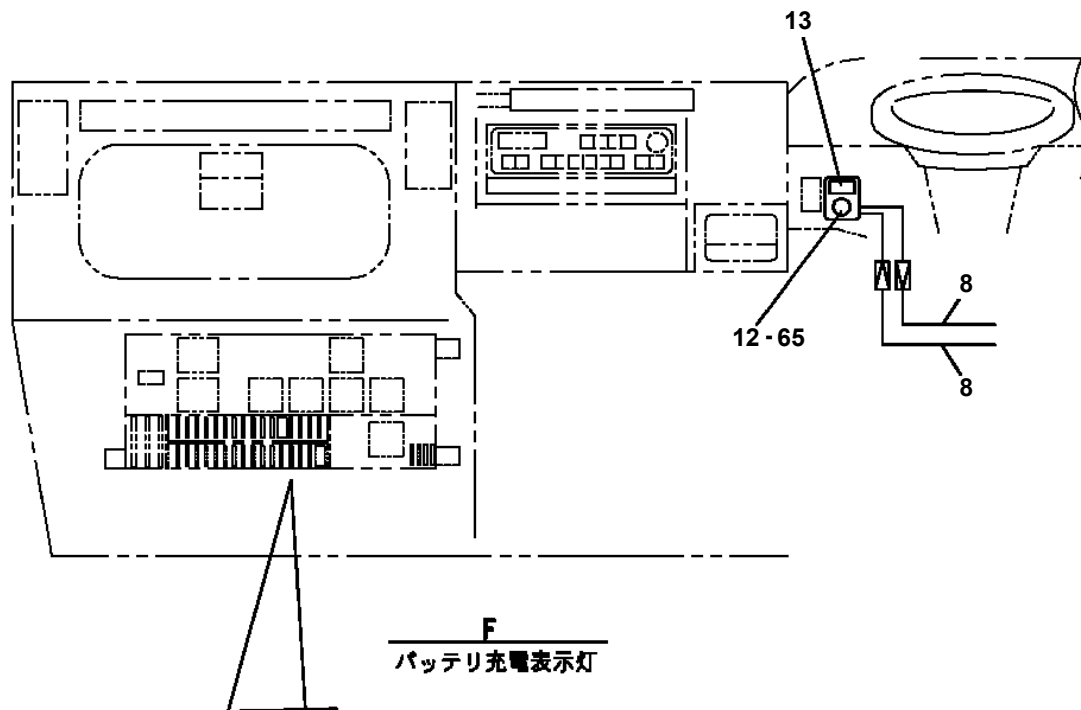


リレーボックス

AT-146-2 42095260500 LOWER,TOYOTA KK-XZU350H-TKMSS6
PH5034401-00 HARNESS

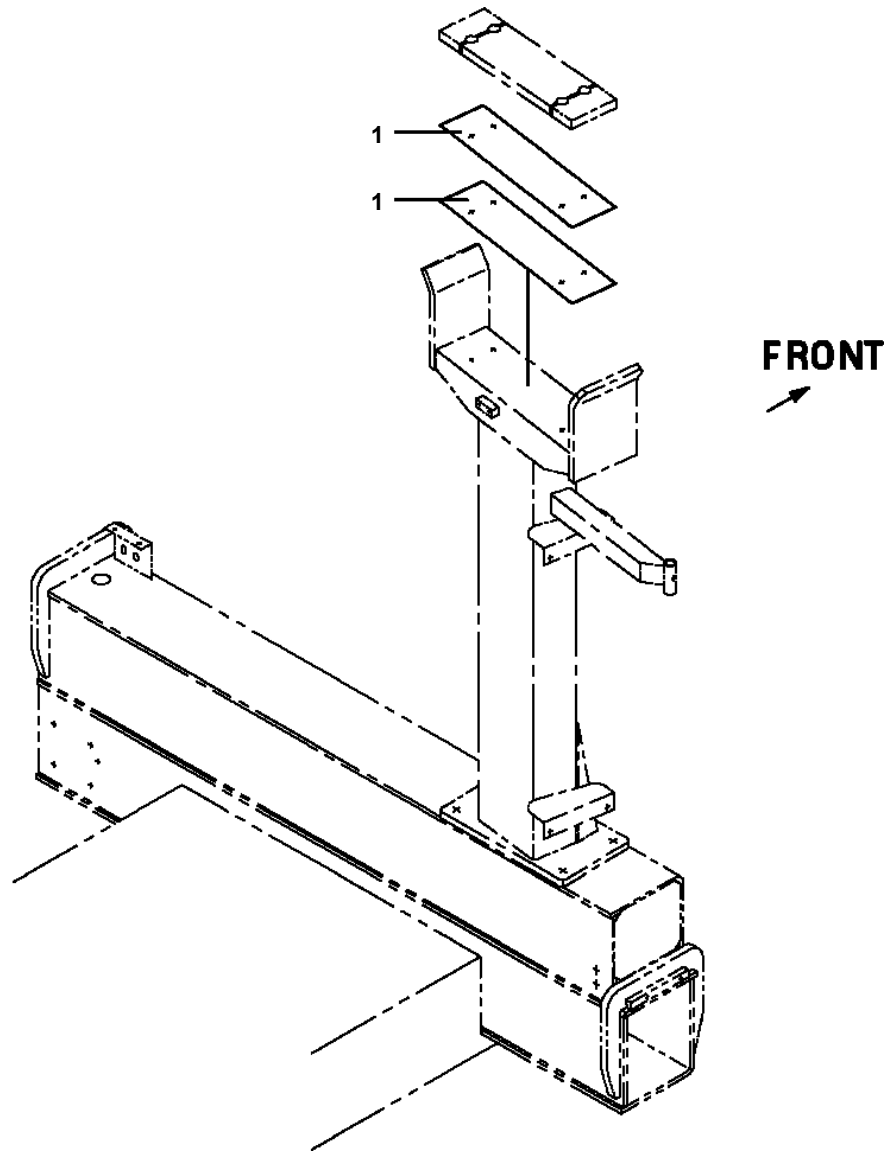


AT-146-2 42095260500 LOWER, TOYOTA KK-XZU350H-TKMSS6
 PN1013337-02 ELEC.ASSY (CARRIER)



ヒューズボックス裏面

**AT-146-2 42095260500 LOWER, TOYOTA KK-XZU350H-TKMSS6
PX1120482-00 BOOM REST (PLATE)**



AT-146-2 42095260500 LOWER,TOYOTA KK-XZU350H-TKMSS6

Pos No.	Parts No	Parts Name	Qty	Unit	Technical Data	Serial No (Start)	Serial No (End)	Remarks
1	91810130240	FASTENER	10					
2	90186208014	BOLT,FLANGE	8		M8X14			
3	42807270100	SUPPORT	1					
4	42807270200	SUPPORT	1					
5	90186206016	BOLT,FLANGE	6		M6X16			
6	90280200800	NUT,FLANGE	2		M8			
7	42807330400	SUPPORT	1				227804	
	42808940100	SUPPORT	1			227805		
8	82100000192	TERMINAL	12				227858	
9	82100000182	INSULATOR	12				227858	
10	82100000191	TERMINAL	12				227858	
11	82100000183	INSULATOR	12				227858	
12	82100002831	LAMP	1				227804	
13	42807330100	SUPPORT	1					
14	42807330200	SUPPORT	1					
15	90201200500	NUT	8		M5			
16	90302040501	WASHER,SPRING	8		5			
17	42807380100	HARNESS	1		L=600	227817		
18	42808000200	HARNESS	2			227859		
19	82111101510	TERMINAL	4			227859		
20	82121101085	PLUG (AVS0.85)	8			227859		
21	82111101010	TERMINAL	4			227859		
22	82114102020	CONNECTOR	2			227859		
23	82121102020	HOLDER	4			227859		
24	82114101020	CONNECTOR (2P,MALE)	2			227859		

CLICK HERE TO **DOWNLOAD** THE COMPLETE MANUAL

- Thank you very much for reading the preview of the manual.
- You can download the complete manual from: www.heydownloads.com by clicking the link below



- Please note: If there is no response to CLICKING the link, please download this PDF first and then click on it.

CLICK HERE TO **DOWNLOAD** THE COMPLETE MANUAL