

AT-146-3 43011120900 LOWER,MITSUBISHI PDG-FE73DBY 6KA4

PO1000171-00 INDICATION PLATES

PX2001166-01 CARRIER UNIT

PX3000602-00 MOUNTING UNIT

ASSEMBLY

CLICK HERE TO **DOWNLOAD** THE COMPLETE MANUAL

- Thank you very much for reading the preview of the manual.
- You can download the complete manual from: www.heydownloads.com by clicking the link below



- Please note: If there is no response to CLICKING the link, please download this PDF first and then click on it.

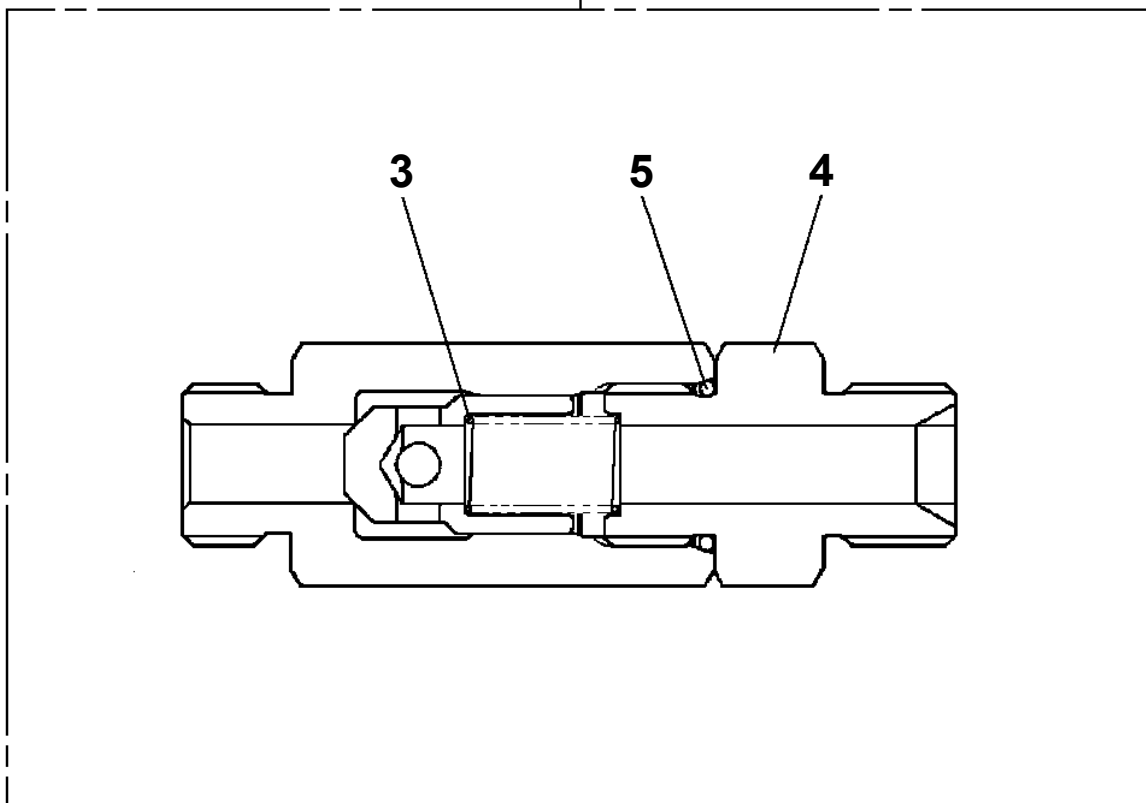
CLICK HERE TO **DOWNLOAD** THE COMPLETE MANUAL

AT-146-3 43011120900 LOWER,MITSUBISHI PDG-FE73DBY 6KA4

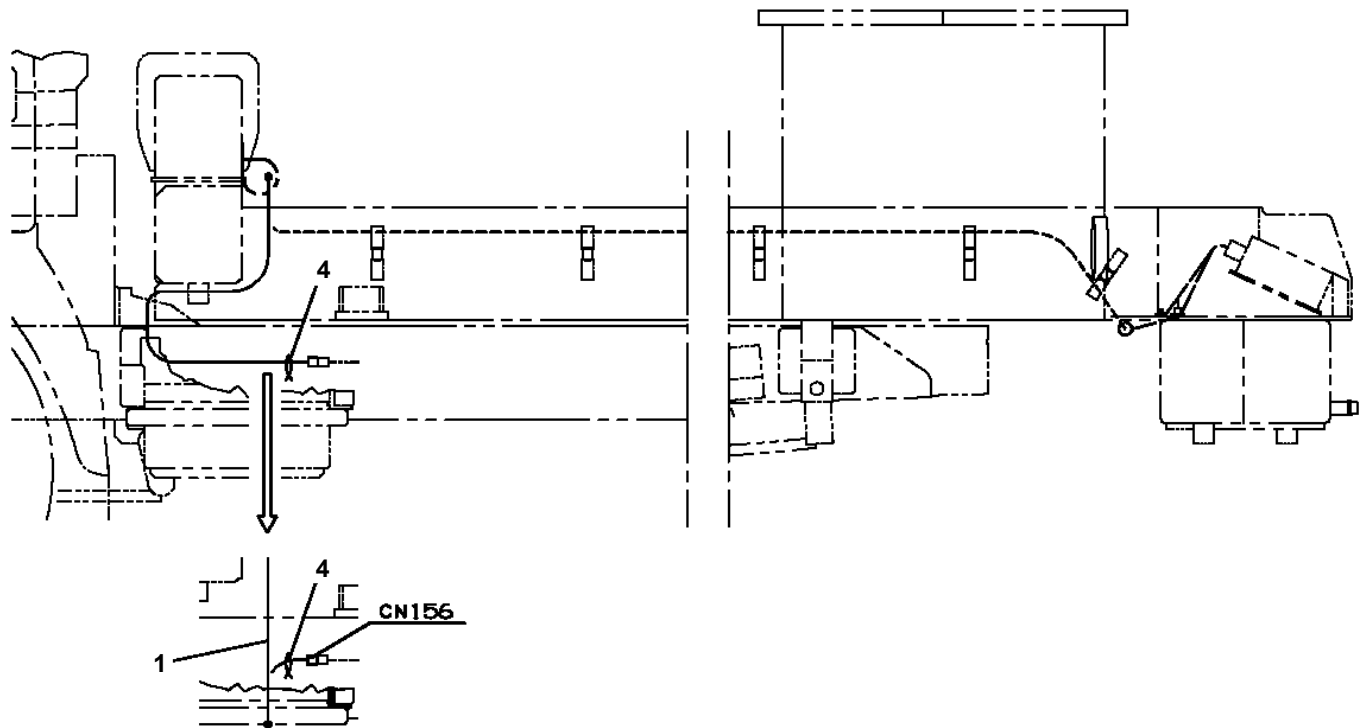
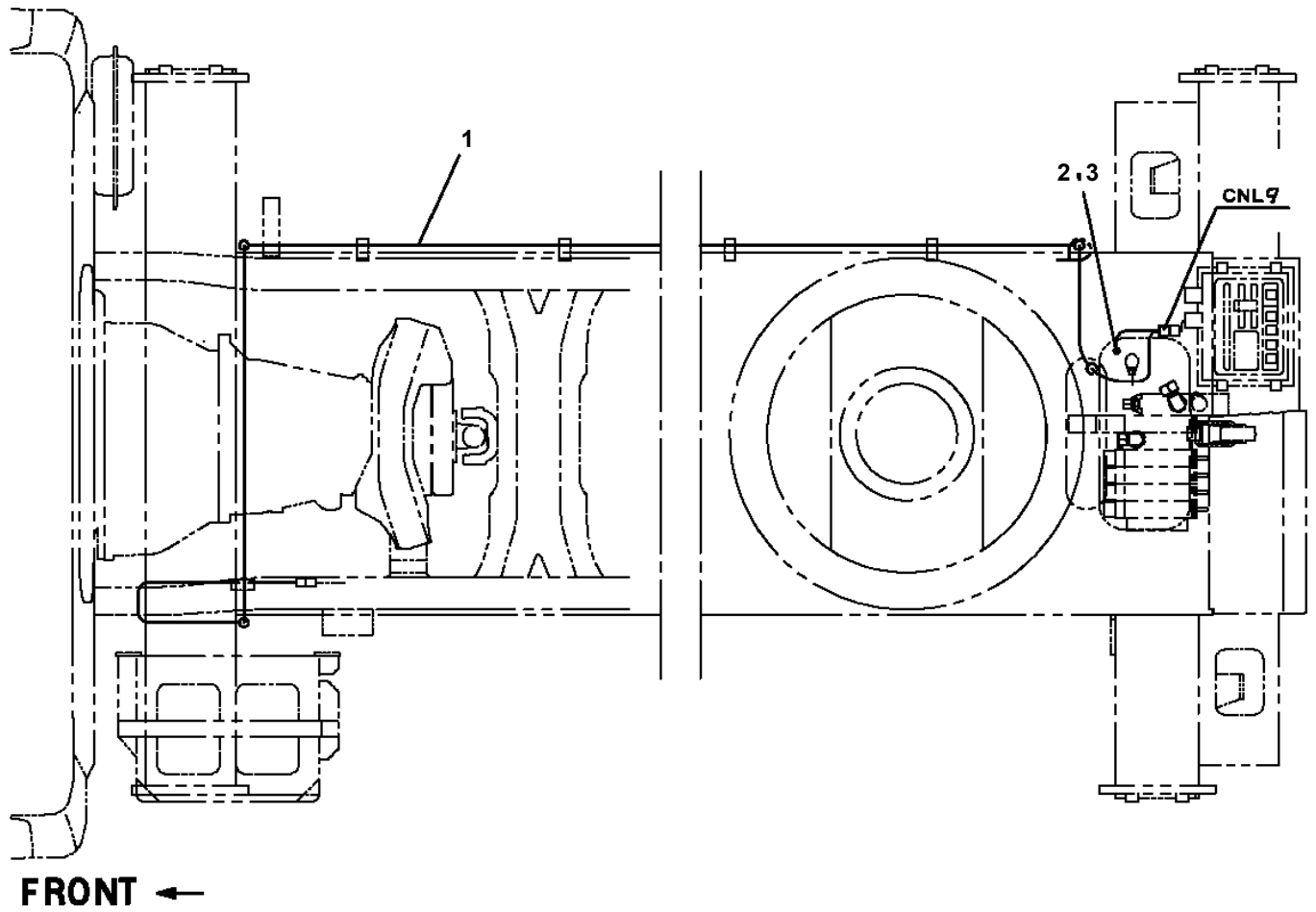
Pos No.	Parts No	Parts Name	Qty	Unit	Technical Data	Serial No (Start)	Serial No (End)	Remarks	Page
1	90303071001	WASHER,PLAIN	2		10				
2	90302041001	WASHER,SPRING	2		10				
3	90174110035	BOLT	2		M10X35				
4	36652840000	PUMP,OIL (32CC:L)	1						00001

**AT-146-3 43011120900 LOWER,MITSUBISHI PDG-FE73DBY 6KA4
PI1140188-00 VALVE,CHECK**

50



AT-146-3 43011120900 LOWER, MITSUBISHI PDG-FE73DBY 6KA4
PN1014907-00 ELEC. ASSY (ACCELERATOR)



AT-146-3 43011120900 LOWER,MITSUBISHI PDG-FE73DBY 6KA4

Pos No.	Parts No	Parts Name	Qty	Unit	Technical Data	Serial No (Start)	Serial No (End)	Remark
1	91810130240	FASTENER	10					
2	90186208014	BOLT,FLANGE	8		M8X14			
3	42901020100	SUPPORT	1				228239	
	42901020101	SUPPORT	1			228240	228257	
	42901020102	SUPPORT	1			228258	228274	
	42901020103	SUPPORT	1			228275		
4	42808050100	SUPPORT	1				228239	
	42808050101	SUPPORT	1			228240	228257	
	42808050102	SUPPORT	1			228258	228274	
	42808050103	SUPPORT	1			228275		
5	90186206016	BOLT,FLANGE	6		M6X16			
6	42900830100	SUPPORT	1					
7	90201200800	NUT	2		M8			
8	90302040801	WASHER,SPRING	2		8			
9	90303070801	WASHER,PLAIN	2		8			
10	42808000200	HARNESS	1					
11	82111101510	TERMINAL	2					
12	82121101050	PLUG (BLACK/AV0.3 TO 0.5)	4					
13	82111101010	TERMINAL	2					
14	82114102020	CONNECTOR	1					
15	82121102020	HOLDER	2					
16	82114101020	CONNECTOR (2P,MALE)	1					
17	31631222000	CAP	1					
18	34350002100	CAP	2					

CLICK HERE TO **DOWNLOAD** THE COMPLETE MANUAL

- Thank you very much for reading the preview of the manual.
- You can download the complete manual from: www.heydownloads.com by clicking the link below



- Please note: If there is no response to CLICKING the link, please download this PDF first and then click on it.

CLICK HERE TO **DOWNLOAD** THE COMPLETE MANUAL