

AT-146-3 43011100063 UPPER

PD2000237-01 SWING UNIT
PF1000674-00 WINCH SYSTEM
PG2000319-01 BOOM UNIT
PH1000550-00 SAFETY DEVICES (MOTION CONTROLLER)
PJ3000511-00 BUCKET SYSTEM
PJ5000003-00 BOOSTER UNIT
PK2001796-01 FRAME UNIT
PO1000171-00 INDICATION PLATES
PW1000118-00 ACCESSORIES & TOOLS
PX1001299-00 MOUNTING PARTS
PY1001439-00 OPTIONS
ASSEMBLY

CLICK HERE TO **DOWNLOAD** THE COMPLETE MANUAL

- Thank you very much for reading the preview of the manual.
- You can download the complete manual from: www.heydownloads.com by clicking the link below



- Please note: If there is no response to CLICKING the link, please download this PDF first and then click on it.

CLICK HERE TO **DOWNLOAD** THE COMPLETE MANUAL

AT-146-3 43011100063 UPPER

Pos No.	Parts No	Parts Name	Qty	Unit	Technical Data	Serial No (Start)	Serial No (End)
1	(*****)	BUCKET FRAME ASSY	1				228597
	(*****)	BUCKET FRAME ASSY	1			228598	
2	(*****)	PIPING ASSY,BUCKET	1				228597
	(*****)	PIPING ASSY,BUCKET	1			228598	
3	(*****)	ELEC.ASSY,BUCKET	1				
4	(*****)	OPE.ASSY	1				
11	42267241000	BUCKET	1				
12	(*****)	BUCKET (INNER CASE)	1				
13	(*****)	COVER (BUCKET,FRP,WHITE)	1				
14	(*****)	COVER,BOOM (TOP/FRP,WHITE)	1				
15	42267244000	COVER (CLOTH,WHITE)	1				
16	(*****)	ACCESSORIES (BUCKET INNER MAT)	1				

AT-146-3 43011100063 UPPER

Pos No.	Parts No	Parts Name	Qty	Unit	Technical Data	Serial
1	(*****)	BOX, TOOL (LEFT/F:2-DECKER, ONE PIECE OF DOOR, R:1-DECKER)	1			
2	(*****)	BOX, TOOL (RIGHT/F:RACK, R:1-DECKER)	1			
3	(*****)	EARTH ASSY (5X10M.CLIP ON THE END, PORTABLE)	1			
	(*****)	EARTHING DEVICE	1			
	(*****)	EARTHING DEVICE (8X10M, TOP CLIP)	1			
	(*****)	EARTHING DEVICE (8X20M, TOP CLIP)	1			

AT-146-3 43011100063 UPPER

Pos No.	Parts No	Parts Name	Qty	Unit	Technical Data	Serial No (Start)	Serial No (End)	Remarks	Pages
11	36654185010	SEAL KIT	1						
100	36654180000	PUMP,HYDRAULIC	1						

AT-146-3 43011100063 UPPER

Pos No.	Parts No	Parts Name	Qty	Unit	Technical Data	Serial No (Start)	Serial No (End)	Remarks
1	90101208016	BOLT	2		M8X16			
2	90302040801	WASHER,SPRING	2		8			
3	36630910060	NEEDLE	1					
4	36630910030	HOLDER	1					
5	91002801000	O-RING	1		1B P10			
6	91410001000	RING,BACKUP	1		P10			
8	36630910050	POPPET	1					
9	52255101000	SPRING	1					
10	91002801400	O-RING	1		1B P14			
11	36620030050	PLUG	1					
12	82400000350	KNOB	1					
13	37000508510	PLATE	1					
14	80172303006	SCREW,MACHINE	1		M3X6			
100	36636340000	VALVE,MANUAL CONTROL	1					

AT-146-3 43011100063 UPPER

Pos No.	Parts No	Parts Name	Qty	Unit	Technical Data	Serial No (Start)	Serial No (End)
2	36634515010	PLUG ASSY	1				
3	11625101020	BOLT,STUD	4				
4	36638475010	VALVE,CONTROL	1				
5	36637855020	VALVE,CONTROL	1				
6	36636435020	VALVE,CONTROL (WINCH)	1				
7	36636435030	VALVE,CONTROL (JIB ELEVATING)	1				
8	36636435040	VALVE,CONTROL (JIB SWING)	1				
9	36636435050	VALVE,CONTROL (ATTACHMENT)	1				
10	36634365090	VALVE,RELIEF	1				229348
11	36638505010	VALVE ASSY,RELIEF	1			229349	
24	91002905500	O-RING	7		1B G55		
32	91000501500	O-RING	1		AS568-015		
33	91002802200	O-RING	1		1B P22		
44	36631975010	O-RING	4				
45	36634365190	WIPER,DUST	12				
46	36634365200	RETAINER (SEAL)	12				
47	36636435060	VALVE,CHECK	5				
48	36635555080	SPRING	5				
49	36635045040	RETAINER (VALVE)	6				
50	91002801400	O-RING	6		1B P14		
51	12435101180	RETAINER (SEAL)	11				
52	36636435070	END,SPOOL	5				
53	12435101170	RETAINER (SPRING)	10				
54	36630045140	SPRING	5				
55	36636435080	COVER (SPRING)	2				
56	36635535150	SWITCH,PUSH	4				
57	36630045150	COVER	2				
58	90131906015	BOLT,HEXAGON SOCKET	2		M6X15		
59	90131906020	BOLT,HEXAGON SOCKET	4		M6X20		
60	90131904015	BOLT,HEXAGON SOCKET	4		M4X15		
61	90303100401	WASHER,PLAIN	5		4		
63	80172304008	SCREW,MACHINE	1		M4X8		
64	36637625030	TIE (MOUNT)	1				
65	36637625040	INSULOCK (TIE)	1				
71	36636435090	SHIM (T=0.3)	6				
72	36636435100	SHIM (T=0.5)	6				
73	36636435110	SHIM (T=0.7)	6				
85	36636435120	COVER (SPRING)	4				
87	90131906010	BOLT,HEXAGON SOCKET	2		M6X10		
94	36643175030	O-RING	8		P13		
109	90131506020	BOLT,HEXAGON SOCKET	6		M6X20		
110	90131504015	BOLT,HEXAGON SOCKET	8		M4X15		
111	90303070401	WASHER,PLAIN	9		4		
125	90131506010	BOLT,HEXAGON SOCKET	6		M6X10		
131	36636415040	SWITCH,LEAD (WINCH)	2				
141	36636435150	SWITCH,LEAD (WITH CONNECTOR)	2				
158	90131506015	BOLT,HEXAGON SOCKET	2		M6X15		
163	80185804008	SCREW,MACHINE	1		M4X8		
164	36636435170	FASTENER	1				
165	36636435180	TIE (INSULOCK)	1				
172	13115102010	RETAINER (SEAL)	2				
173	36636435140	END,SPOOL	1				
174	80560005000	BALL,STEEL	2		5		
175	13115102030	CASE (BALL)	1				
176	13115102050	RETAINER (BALL)	1				
177	13115102040	SPRING	1				
181	90131506025	BOLT,HEXAGON SOCKET	2		M6X25		
195	91001101001	O-RING	1		1A P10A		229348
196	36634365100	RING,BACKUP	1				229348
197	19215101010	O-RING	2				229348
203	91001001600	O-RING	2		1A S16		229348
205	36634365110	RING,BACKUP	1				229348
206	91001100600	O-RING	1		1A P6		229348

AT-146-3 4301110063 UPPER

Pos No.	Parts No	Parts Name	Qty	Unit	Technical Data	Serial No (Start)	Serial No (End)	Remarks
4	90101210035	BOLT	3		M10X35			
5	90302041001	WASHER,SPRING	7		10			
6	90101208065	BOLT	2		M8X65			
7	90302040801	WASHER,SPRING	8		8			
8	37002402610	HOSE	2		L=1980			
9	80481103030	JOINT	1		L,G3/8-G3/8			
10	37002488300	HOSE	1		L=1800		228940	
11	90101210085	BOLT	2		M10X85			
12	37002452740	HOSE	1		L=1000			
13	90101210065	BOLT	2		M10X65			
14	80441030604	FITTING,ELBOW	2					
15	37000908730	JOINT (WITH O-RING)	3		L,G3/8-G1/4			
16	37002416380	HOSE	1		L=1980			
17	37000300740	SLEEVE	1		18-12			
18	91002801800	O-RING	2		1B P18			
19	80430620400	JOINT	1					
20	37002479110	HOSE	1		L=900			
21	37002489550	HOSE	1		L=2090			
22	91002801100	O-RING	2		1B P11			
23	37002488320	HOSE	1		L=450		228940	
24	37002489560	HOSE	1		L=1600		228940	
25	37002489570	HOSE	1		L=1790		228940	
27	91810132530	FASTENER	20					
28	37002411640	HOSE	1		L=750			
29	37000714020	CLAMP ASSY	2		12X2			
30	37002489600	HOSE	1		L=1140			
31	80400160128	JOINT	1		S,G3/8-G1/4			
32	89640201000	HOSE	1		660-NFK,1M			
33	80400160131	JOINT	2					
34	91002801400	O-RING	4		1B P14			
35	37002489630	HOSE	1		L=1320			
36	80400160127	JOINT	1					
37	37002489610	HOSE	1		L=2200			
38	80400160129	JOINT	2					
39	37002411650	HOSE	1		L=850			
40	37002489580	HOSE	1		L=850			
41	37002459240	HOSE	1		L=940			
42	37000925950	JOINT	1		S,G1/4-G1/4			
43	37002488330	HOSE	1		L=470		228940	
45	82127020180	TUBE,SPIRAL	2	M				
46	37000714040	CLAMP ASSY	1		18X2			
47	37002489590	HOSE	1		L=2020			
48	82100002017	CLAMP	2		WR30			
49	90201200800	NUT	4		M8			
50	37002488310	HOSE	1		L=1670		228940	
52	42346840600	GUIDE	1					
53	42346840700	GUIDE	1					
54	37000714881	CLAMP ASSY	1					
55	37002489650	HOSE	1		L=1070			
56	37002489540	HOSE	1		L=1850			
57	37000714030	CLAMP ASSY	1		18X1			
58	82100001411	TUBE,SPIRAL	1	M	SE-08BK			
59	37000714240	CLAMP ASSY	1					
60	90101208012	BOLT	2		M8X12			
81	36741260000	VALVE,CONTROL	1					
82	80400160130	JOINT	3		S,G1/2-G3/8		228940	
	80400160130	JOINT	1		S,G1/2-G3/8	228941		
83	80400160176	JOINT	4		S,G1/2-1/4		228940	
84	91002801800	O-RING	2		1B P18			
	91002801800	O-RING	7		1B P18		228940	
	91002801800	O-RING	10		1B P18	228941		
85	37000925660	JOINT	1		S,G3/4-G1/2			
86	91002802400	O-RING	2		1B P24			

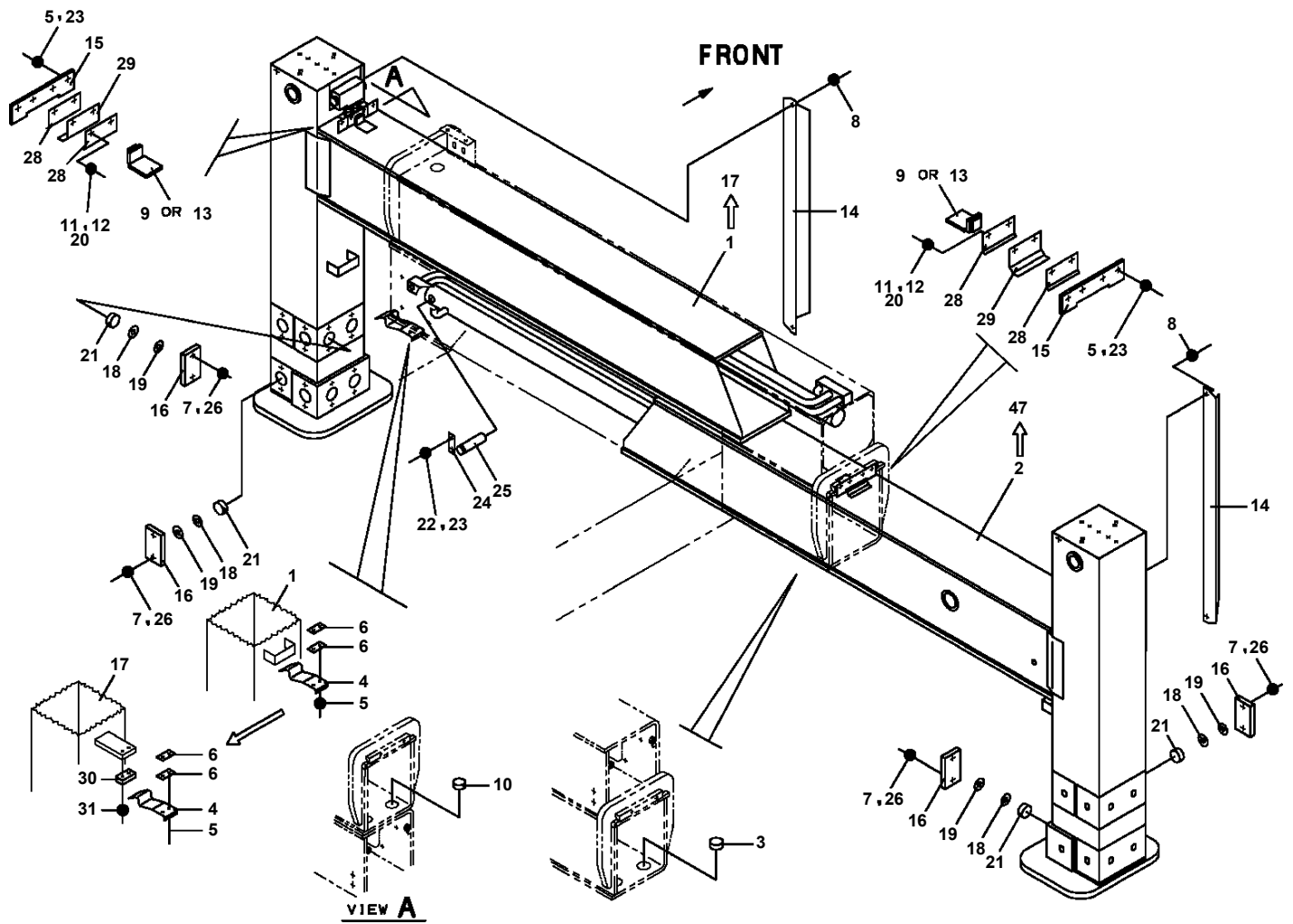
AT-146-3 43011100063 UPPER

Pos No.	Parts No	Parts Name	Qty	Unit	Technical Data	Serial No (Start)	Serial No (End)	Remarks	Pages
1	82100003002	BATTERY	1						000119
2	42350200310	HARNESS	1						
3	82100001261	CAP	1						

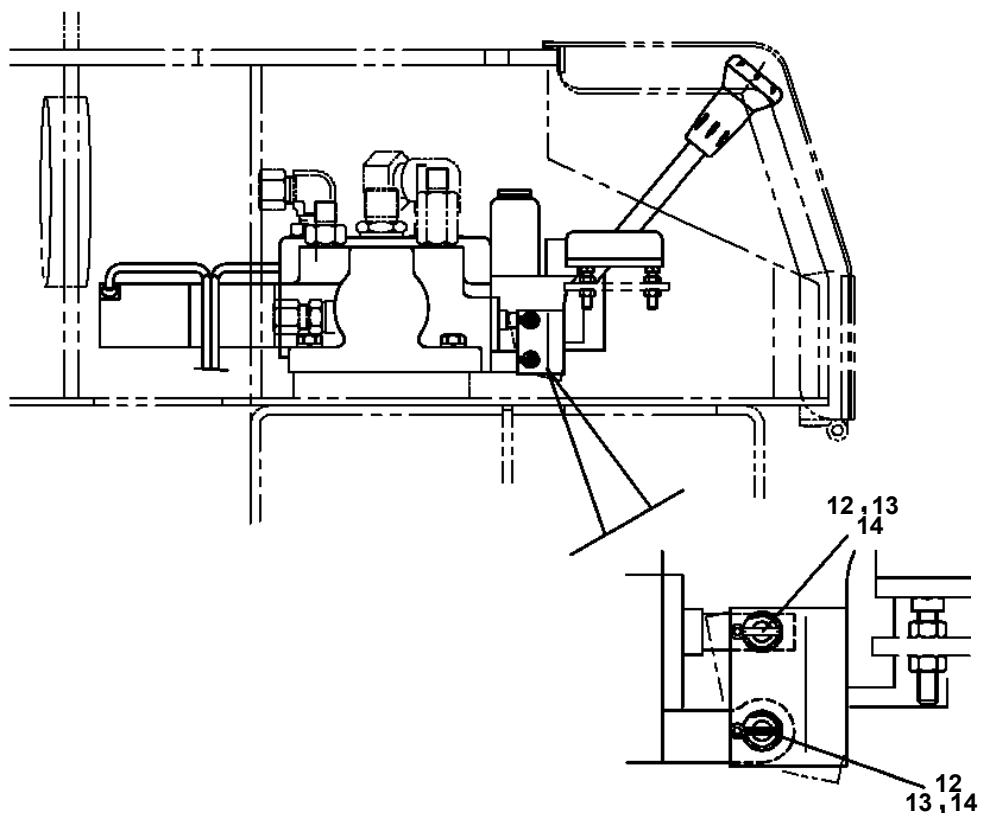
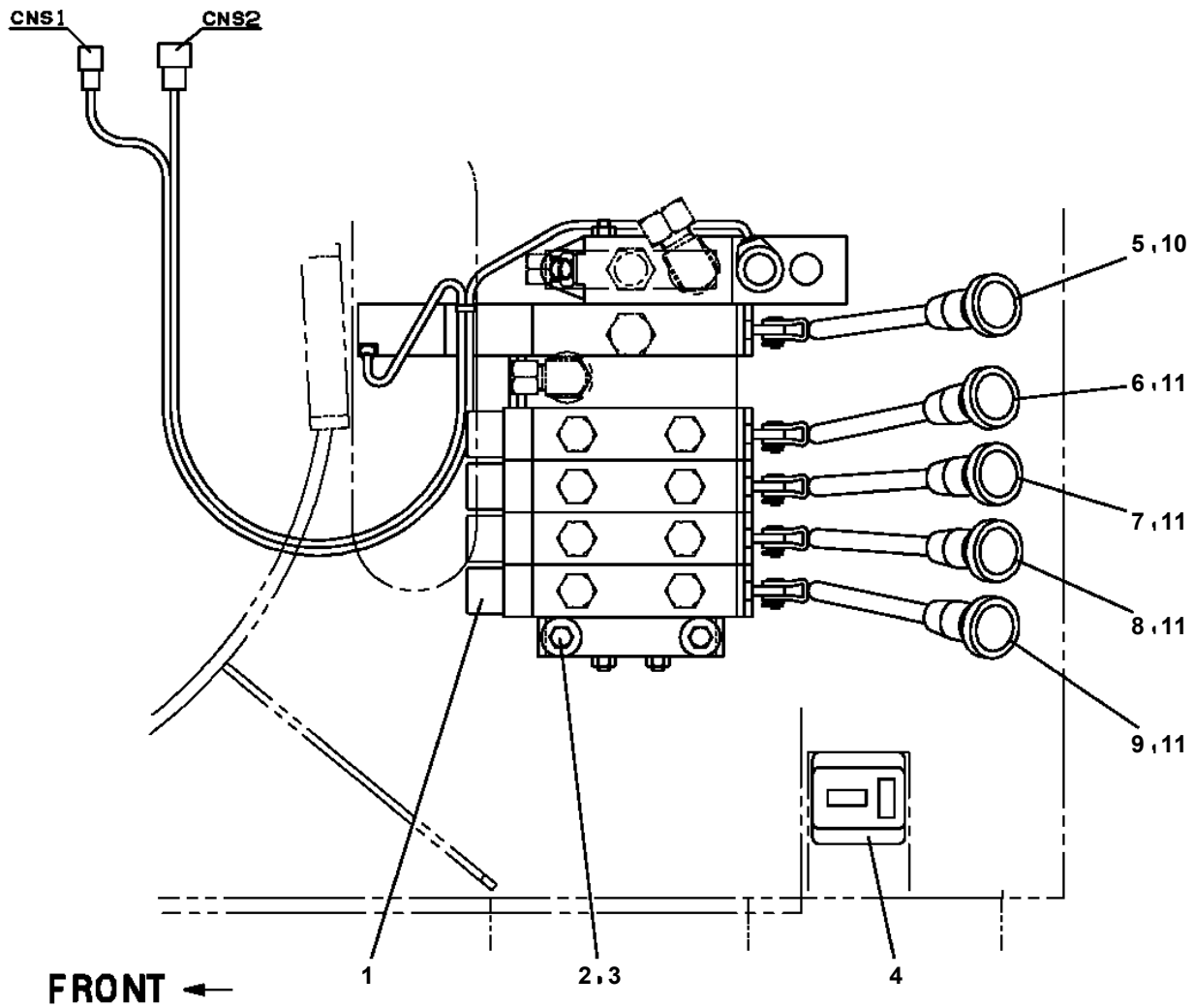
AT-146-3 43011100063 UPPER

Pos No.	Parts No	Parts Name	Qty	Unit	Technical Data	Serial No (Start)	Serial No (End)	Re
232	90101208012	BOLT	10		M8X12	229415		
233	90302040801	WASHER,SPRING	10		8	229415		
234	90303070801	WASHER,PLAIN	10		8	229415		

AT-146-3 43011100063 UPPER PC1011305-02 OUTRIGGER (FRONT)



AT-146-3 43011100063 UPPER
PC1100280-00 OPE.ASSY,OUTRIGGER



AT-146-3 43011100063 UPPER

Pos No.	Parts No	Parts Name	Qty	Unit	Technical Data	Serial No (Start)	Serial No (End)	R
1	36132155010	PLATE (BASE)	1					
2	36132155020	CASE	1					
3	36132155030	COVER	1					
8	36132155080	BRACKET	1					
9	36131805010	PACKING	1					
10	36131745010	POTENTIOMETER	1					
11	36132155090	GEAR	1					
12	36132155100	GEAR	1					
13	36132155110	WIRE ASSY	1					
14	36132155120	CORD ASSY	1					
51	36132155140	SPRING ASSY	1					
100	36132150000	DETECTOR,OUTRIGGER LENGTH	1					

AT-146-3 43011100063 UPPER

Pos No.	Parts No	Parts Name	Qty	Unit	Technical Data	Serial No (Start)	Serial No (End)
1	42614471105	CASE,INNER	1				
2	42613351200	CASE,INNER (JACK)	1				
4	36035100000	CYLINDER,JACK	1				
5	42502970100	FLOAT ASSY	1				
6	37000171720	PIN	1				
7	80601110250	RING,RITAINING	2		S25		
8	37000169010	PIN	1		30		
9	80601110300	RING,RITAINING	2		S30		
10	36625740001	VALVE,CHECK	1				
11	901711108055	BOLT	4		M8X55		
12	37000138750	PIN	1		18		
13	80136332036	PIN,SPLIT	2		3.2X36		
14	80400160127	JOINT	1				
15	91002801100	O-RING	1		1B P11		
16	36672460000	FILTER (NIPPLE TYPE)	1				
17	42612851010	COVER	1				
18	90186206014	BOLT,FLANGE	2		M6X14		
19	37000112320	PIN	1				
20	80601110120	RING,RITAINING	2		S12		
21	91810130240	FASTENER	2				
22	31201770100	PLATE,SLIDE	8		T=3.0		
23	90280200600	NUT,FLANGE	1		M6		
24	37000600700	CLAMP	1		12X3		
25	42614471010	PLATE,SLIDE	1		T=2.0		
26	82467300106	PLUG	4				
41	36042820000	CYLINDER,EXTENSION (REAR)	1				
42	80400160127	JOINT	2				
43	91002801100	O-RING	3		1B P11		
44	37002474980	HOSE	1		L=2075		
45	42614061350	HARNESS	1				
46	91810130240	FASTENER	13				
63	42612851420	TRUNNION	1				
100	42614471007	CASE ASSY,INNER (REAR/OUTRIGGER)	1				

AT-146-3 43011100063 UPPER

Pos No.	Parts No	Parts Name	Qty	Unit	Technical Data	Serial No (Start)	Serial No (End)	Remarks
1	42272361102	COVER	1					
2	42272361201	COVER	1					
3	42272361300	COVER	1					
4	90101206016	BOLT	6		M6X16			
5	80172803008	SCREW,MACHINE	8		M3X8			
6	90201500300	NUT	8		M3			
7	90302510301	WASHER,SPRING (SUS 3)	8					
8	82466100702	CATCH	2					
9	80172804012	SCREW,MACHINE	12		M4X12			
10	90201500400	NUT	12		M4			
11	90302510401	WASHER,SPRING	12		4			
12	82464110305	HINGE	2					
13	90302040601	WASHER,SPRING	6		6			
14	90303070601	WASHER,PLAIN	6		6			
100	42272361003	COVER ASSY	1					

AT-146-3 4301110063 UPPER

Pos No.	Parts No	Parts Name	Qty	Unit	Technical Data	Serial No (Start)	Serial No (E
1	90211201200	NUT	2		M12		
2	42220105030	PACKING	4				
3	91002801400	O-RING	2		1B P14		
4	36054010100	PISTON	2				
5	36054431000	CYLINDER	1				
6	36054011000	ROD	1				
7	91002803500	O-RING	2		1B P35		
8	91694002500	PACKING	2				
9	91660002501	SEAL,DUST	2				
10	36054010200	COVER,ROD	2				
11	36054012000	ROD	1				
12	90302041201	WASHER,SPRING	2		12		
13	91410202501	RING,BACKUP	2				
14	91332402500	BEARING,PLAIN	2				
15	91431303501	RING,BACKUP	4				
16	91301403500	BEARING,PLAIN	2				
30	36054019900	PACKING SET	2		25X35		
100	36054430000	CYLINDER ASSY (LIFT,BUCKET FRAME)	1				

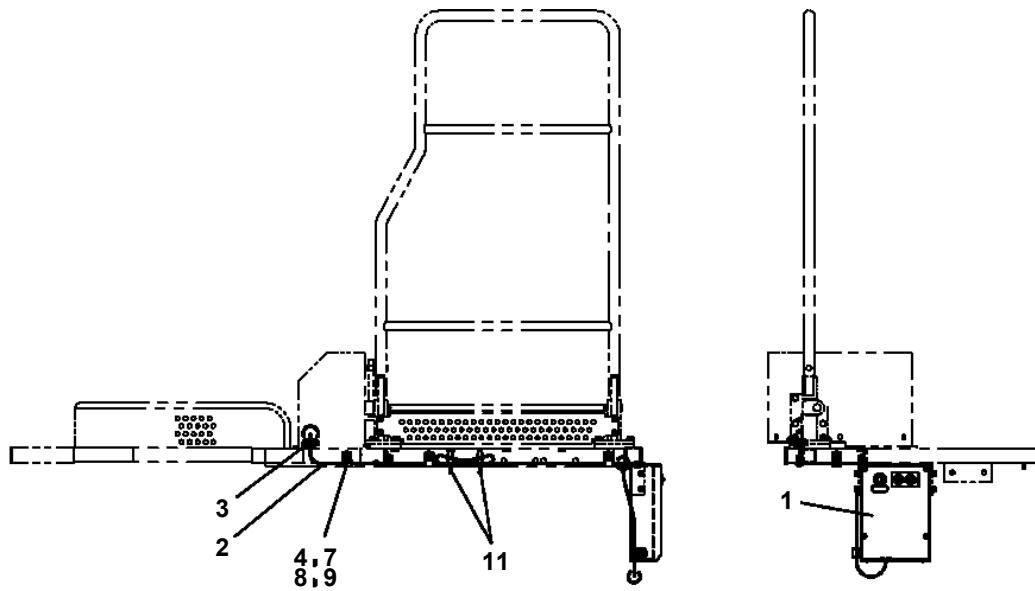
AT-146-3 43011100063 UPPER

Pos No.	Parts No	Parts Name	Qty	Unit	Technical Data	Serial No (Start)	Serial N
1	91660005501	SEAL,DUST	1				
2	36016269510	COVER,ROD	1				
3	91002908000	O-RING	1		1B G80		
4	91301105500	BEARING,PLAIN	1				
5	91410205501	RING,BACKUP	1				
6	91694005500	PACKING	1				
7	91251100550	RING,DAMPER	1		DR-55		
8	91411107000	RING,BACKUP	1		P70		
9	91002907000	O-RING	1		1B G70		
10	80801005530	BEARING,PLAIN	1				
11	80612110600	RING,RITAINING	1		AR60		
12	36018253000	ROD	1				
13	36018251000	CYLINDER	1				
14	91002903000	O-RING	1		1B G30		
15	36018250500	PISTON	1				
16	91411205701	RING,BACKUP	2				
17	91684007001	PACKING	2				
18	91302207000	BEARING,PLAIN	2				
19	90730006100	SCREW,SET	1		M6X10		
20	36018250100	NUT	1				
21	37001101980	ROLLER ASSY (WITH BEARING/ASSY ONLY)	1				
22	36011560200	SPACER	2				
23	37000154450	PIN	1				
24	80601110250	RING,RITAINING	2		S25		
50	36015669900	PACKING SET	1				
100	36018250001	CYLINDER ASSY,TELESCOPING	1				

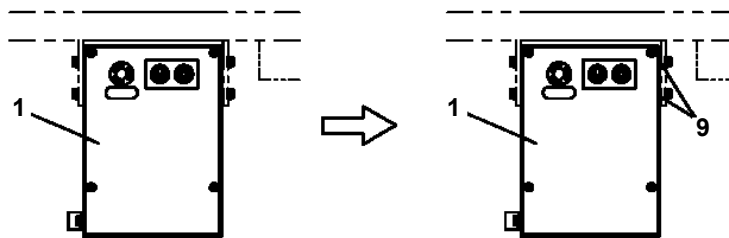
AT-146-3 43011100063 UPPER

Pos No.	Parts No	Parts Name	Qty	Unit	Technical Data	Serial No (Start)	Serial No (End)	Remarks
1	36160650000	REEL, CORD	1					
2	42733030100	CABLE ASSY	1		L=20100			
3	82198103050	CLIP (WITH CAP/BLACK)	1					
4	90201200500	NUT	1		M5		229091	
	90201200500	NUT	2		M5	229092		
5	90302040501	WASHER, SPRING	1		5		229091	
	90302040501	WASHER, SPRING	2		5	229092		
6	90303070501	WASHER, PLAIN	1		5		229091	
	90303070501	WASHER, PLAIN	2		5	229092		
7	42505071001	SUPPORT	1					
8	90101208012	BOLT	2		M8X12			
9	90302040801	WASHER, SPRING	2		8			
10	42505072000	CABLE	1		L=2000			
11	42698150300	INSULATOR	4					
12	80172304010	SCREW, MACHINE	4		M4X10		229091	
	80172304010	SCREW, MACHINE	5		M4X10	229092		
13	90302040401	WASHER, SPRING	4		4		229091	
	90302040401	WASHER, SPRING	5		4	229092		
14	90303070401	WASHER, PLAIN	4		4		229091	
	90303070401	WASHER, PLAIN	5		4	229092		
15	80173305010	SCREW, MACHINE	1			229092		
16	90201200400	NUT	1		M4	229092		

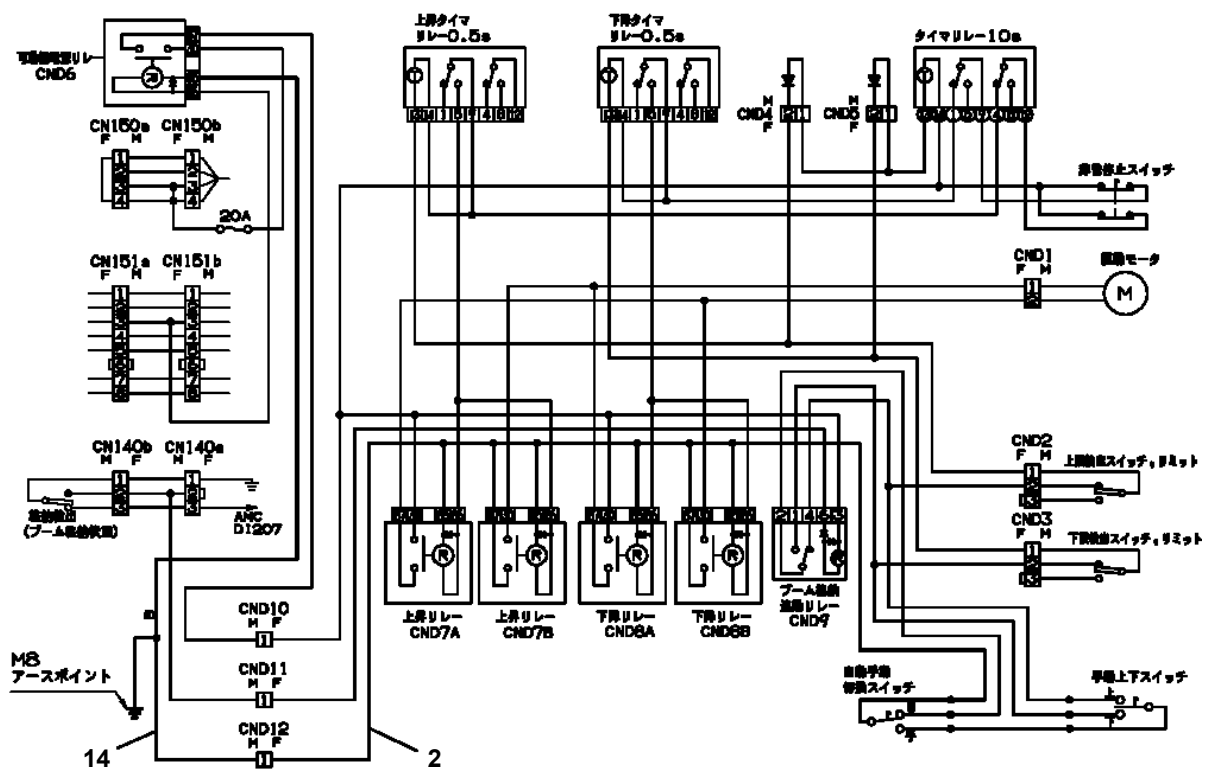
AT-146-3 43011100063 UPPER
PE5020327-02 ELEC.ASSY



工具箱無の場合



9材取付け詳細



配線系統図

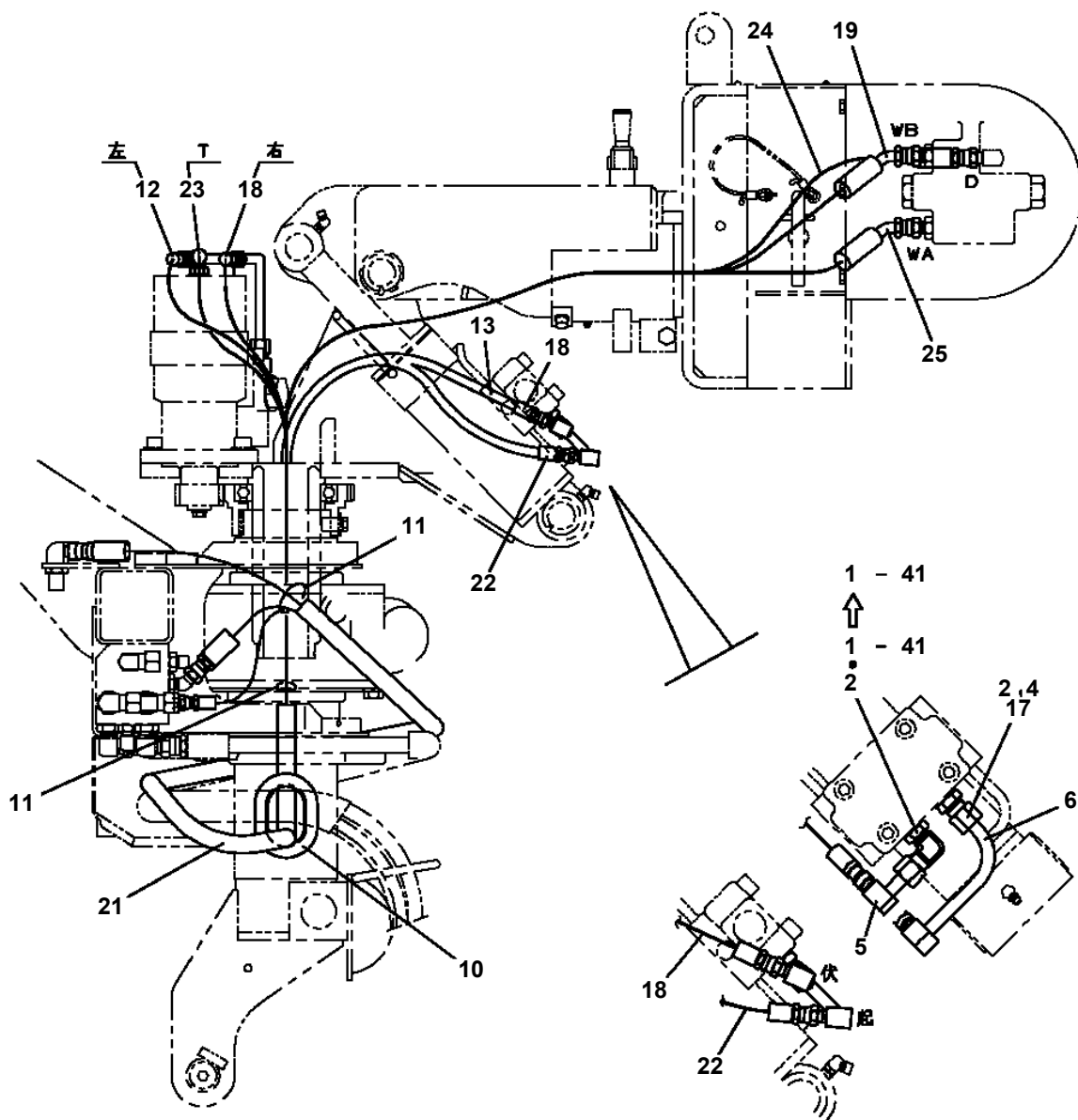
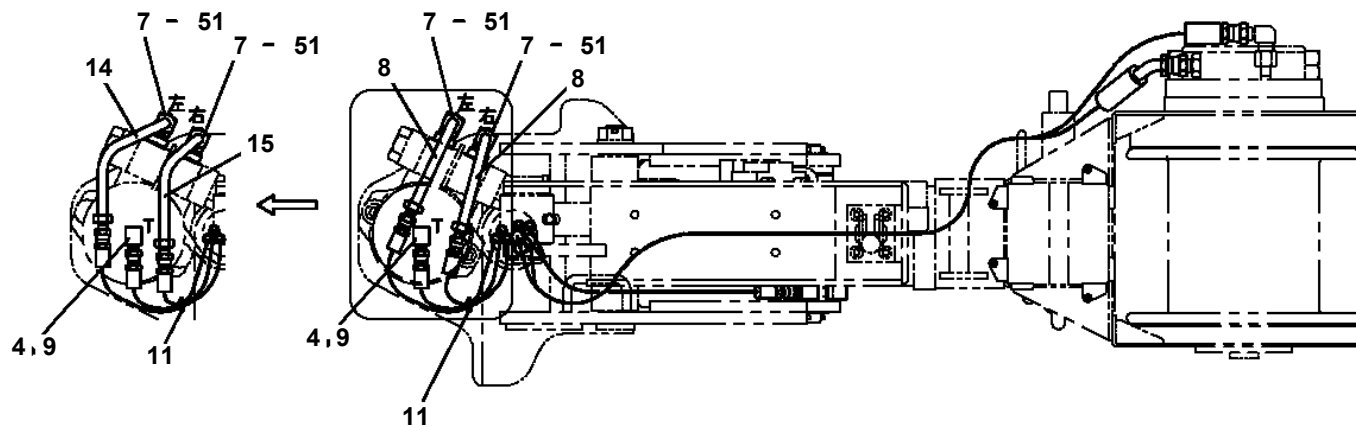
AT-146-3 43011100063 UPPER

Pos No.	Parts No	Parts Name	Qty	Unit	Technical Data	Serial No (Start)	Serial No (End)
1	42900000101	HARNESS	1				229051
	42900000102	HARNESS	1			229052	
2	91810132530	FASTENER	10				
3	42900001000	PANEL,CONTROL	1				
4	80192486014	SCREW,MACHINE (WITH WASHER)	4		M6X14		
5	42900002001	RELAY BOX	1				229051
	42900002002	RELAY BOX ASSY	1			229052	
6	90101210014	BOLT	4		M10X14		
7	90302041001	WASHER,SPRING	4		10		
8	80182406014	SCREW,MACHINE	2		M6X14		
9	42900000200	COVER	2				
10	90101206012	BOLT	4		M6X12		
11	90302040601	WASHER,SPRING	4		6		

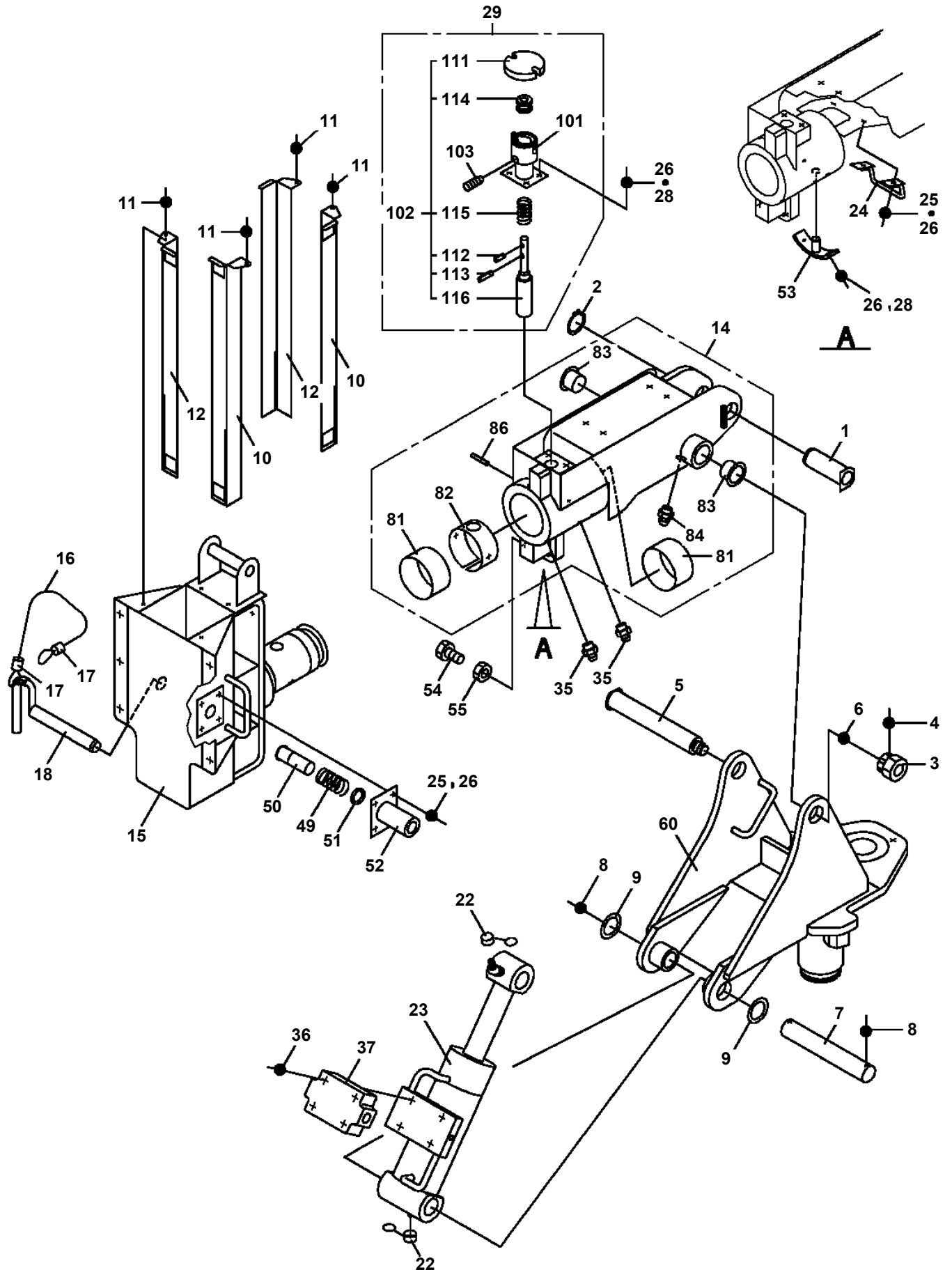
AT-146-3 43011100063 UPPER

Pos No.	Parts No	Parts Name	Qty	Unit	Technical Data	Serial No (Start)	Serial No (End)	Remarks
1	36073825050	DRUM	1					
5	36072495040	SHAFT	1					
6	36073825140	GEAR,INPUT	1					
10	36072495080	BUSH	1					
12	36072495090	RING,RETAINING	1					
13	36072495100	RING	1					
14	36072495110	DISTANCE PIECE	2					
15	36073825060	SEAL,OIL	1					
16	36072495130	SEAL,OIL	1					
17	36072495140	PIN	26					
18	36073825030	PIN	2					
19	36073825040	BOLT,HEXAGON SOCKET	4					
20	36072495150	BEARING,BALL	1					
21	36072495160	BEARING,BALL	1					
24	36072495170	RING,RETAINING	2					
25	80601110170	RING,RITAINING	4		S17			
26	36072495180	RING,RETAINING	1					
27	91002800900	O-RING	1		1B P9			
30	91001012500	O-RING	1		S125			
33	80316030060	PLUG	2		PT3/8			
34	36072495190	ORIFICE	1					
102	36072495220	SHAFT	1					
103	36072495230	PLATE,THRUST	1					
104	36072495240	BLOCK,CYLINDER	1					
107	36661055260	PLATE (RETAINER)	1					
108	36661055270	PLATE,THRUST	1					
109	36072495260	PLATE,TIMING	1					
110	36072495270	WASHER	2					
112	36073825090	PISTON	1					
113	36072495290	SPRING	2					
114	36072495300	SPRING	1					
115	36661055350	PLATE (FRICTION)	2					
116	36661055360	PLATE (MATING)	2					
118	91002910500	O-RING	1		1B G105			
119	91002912000	O-RING	1		1B G120			
120	91002801200	O-RING	1		1B P12			
121	91002802200	O-RING	2		1B P22			
123	36072495310	PLUG	2					
124	36073825100	STOPPER	1					
125	36072495330	STOPPER	1					
126	36072495340	SPRING	2					
127	36073825110	SPRING	1					
128	36072495350	THROTTLE	2					
129	36661055400	PLUG	1					
130	36661055410	VALVE	1					
131	36661055420	SPRING	1					
132	36661055440	SEAL,OIL	1		15Z-17X35X8			
133	36663495450	BEARING,BALL	1					
134	36072495390	BEARING,BALL	1					
135	36072495400	PIN (STRAIGHT)	2		5X12			
136	80730080020	PIN (STRAIGHT)	2		8X20			
137	36073825120	ROLLER,NEEDLE	3					
138	36072495370	RING,RETAINING	1					
139	90131908025	BOLT,HEXAGON SOCKET	6		M8X25			
143	36661055450	RING,RETAINING	1					
300	36073825010	REDUCER ASSY	1					
310	36073825020	SPINDLE KIT	1					
320	36072495030	GEAR ASSY (RV)	1					
330	36072495070	GEAR,SPUR (2PIECES)	1					
400	36073825070	MOTOR ASSY	1					
410	36073825080	FLANGE SET(REAR)	1					
420	36072495250	PISTON KIT	1					
490	36073825130	SEAL KIT	1					

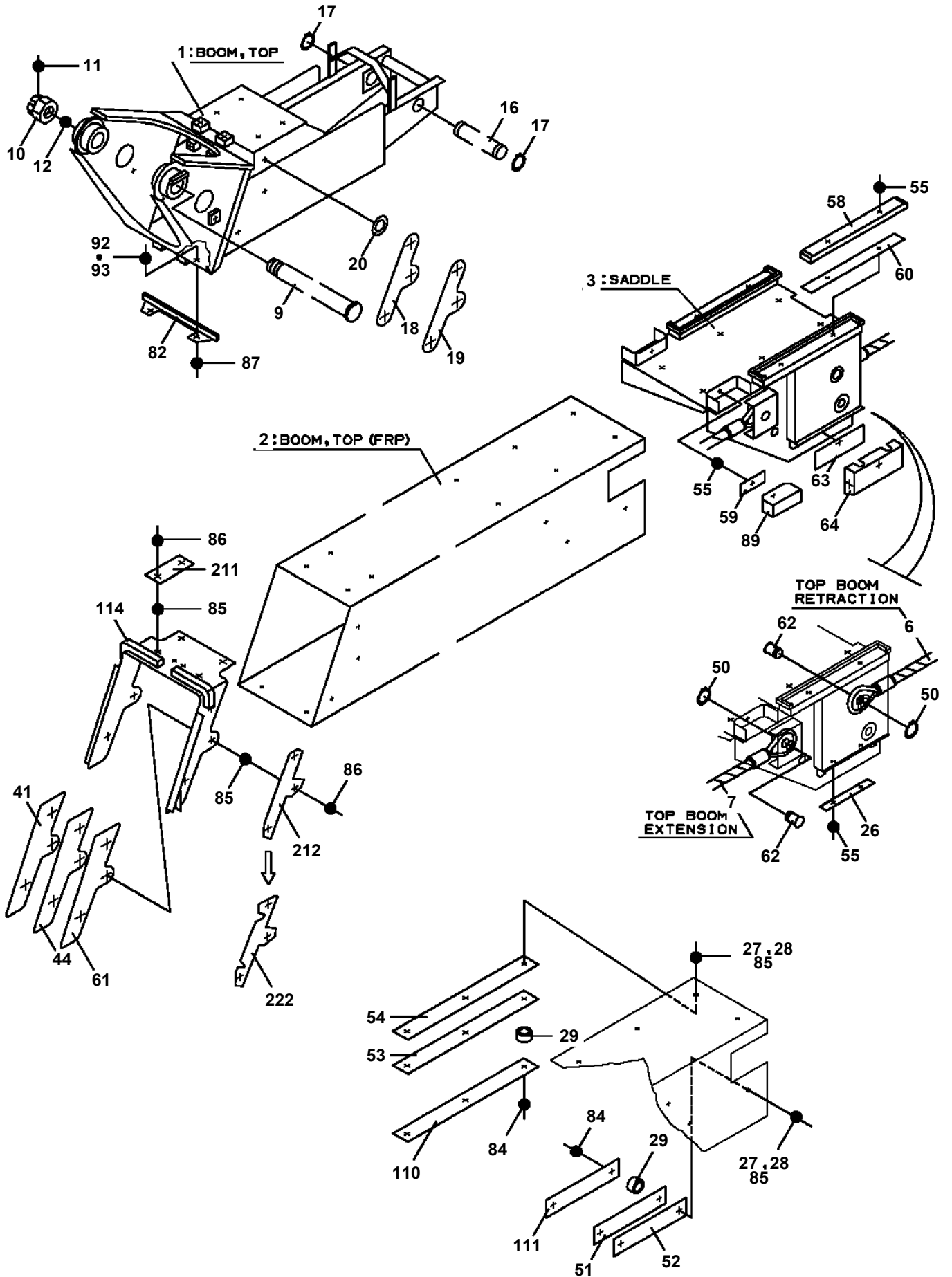
**AT-146-3 43011100063 UPPER
PF1200427-02 PIPING,WINCH (JUK)**



AT-146-3 43011100063 UPPER
PF1350170-01 WINCH, JIB (SUPPORT, JUK)



**AT-146-3 43011100063 UPPER
PG1010978-03 BOOM**



AT-146-3 43011100063 UPPER

Pos No.	Parts No	Parts Name	Qty	Unit	Technical Data	Serial No (Start)	Serial No (End)	Remarks	Pages
1	42837230100	SUPPORT	1						
2	90101208016	BOLT	8		M8X16				
3	90302040801	WASHER,SPRING	8		8				
4	82466003104	CAP	2						
11	42202842200	SUPPORT	1						
12	42202842300	SUPPORT	1						

AT-146-3 43011100063 UPPER

Pos No.	Parts No	Parts Name	Qty	Unit	Technical Data	Serial No (Start)	Serial No (End)	Remarks	Pages
1	42356320200	SUPPORT	22						
2	37000517380	PLATE	1		T=2.3 TO 3.2				
4	42443100303	COVER	1						
8	42443101001	COVER ASSY	1						
9	42443100501	COVER	1						
10	42443100601	COVER	1						
11	42443100702	COVER ASSY	1						
12	90186208014	BOLT,FLANGE	22		M8X14				
13	90303070801	WASHER,PLAIN	48		8		228597		
	90303070801	WASHER,PLAIN	50		8	228598			
14	82100000952	GROMMET	4						
15	90180206020	BOLT,BUTTON	3		M6X20				
16	90302040601	WASHER,SPRING	14		6				
17	90180206016	BOLT,BUTTON	8		M6X16				
19	90201200800	NUT	22		M8				
20	90302040801	WASHER,SPRING	22		8				
21	90180206012	BOLT,BUTTON	4		M6X12				
22	90186208020	BOLT,FLANGE	4		M8X20				
24	42443100403	COVER	1						
32	42443102000	COVER ASSY	1						
33	42443101204	COVER ASSY	1						
34	42443101304	COVER ASSY	1						
35	42443100203	COVER	1						
41	82400000200	GROMMET	1		KG-012,L=250				
51	42443101010	SUPPORT	1						
53	42443101020	BLADE	1						
54	80172304010	SCREW,MACHINE	22		M4X10				
55	90302040401	WASHER,SPRING	22		4				
62	42443101101	SUPPORT	1						
71	42443100711	SUPPORT	1						
72	42443100770	BLADE	1						
73	42443100760	PLATE	1						
81	42443101310	PLATE	2						
83	42443101271	BLADE	2						
84	42443101281	SUPPORT	1						
87	90201200400	NUT	8		M4				
94	42443101381	SUPPORT	1						
131	42443102100	COVER	1						
132	42443102200	BLADE	2						
135	42443102300	SUPPORT	2						

AT-146-3 43011100063 UPPER

Pos No.	Parts No	Parts Name	Qty	Unit	Technical Data	Serial No (Start)	Serial No (End)	Remarks
1	42739931110	DISPLAY	1					
2	42739931300	CABLE	1					
3	42739931150	CAMERA	1					
4	42807471210	CABLE (MONITOR SIDE)	1					
5	42807471220	CABLE (CAMERA SIDE)	1					
30	42739931100	VIEW SYSTEM (MAIN UNIT)	1					

AT-146-3 43011100063 UPPER

Pos No.	Parts No	Parts Name	Qty	Unit	Technical Data	Serial No (Start)	Serial No (End)	Remarks	Pages
1	82105220153	SWITCH,TOGGLE	1						
2	82105220183	SWITCH,TOGGLE	1						
3	82101380312	SWITCH	1						
5	82182809623	DIODE	2						
6	82100001327	CONNECTOR	1						
100	42936320100	HARNESS	1						

AT-146-3 43011100063 UPPER

Pos No.	Parts No	Parts Name	Qty	Unit	Technical Data	Serial No (Start)	Serial No (End)	Remarks	Pages
1	42356380200	HARNESS	1						

AT-146-3 43011100063 UPPER

Pos No.	Parts No	Parts Name	Qty	Unit	Technical Data	Serial No (Start)	Serial No (End)	Remarks	Pages
100	42356370021	HARNESS	1						

AT-146-3 43011100063 UPPER

Pos No.	Parts No	Parts Name	Qty	Unit	Technical Data	Serial No (Start)	Serial No (End)	Remarks	Pages
100	42614051350	HARNESS	1						

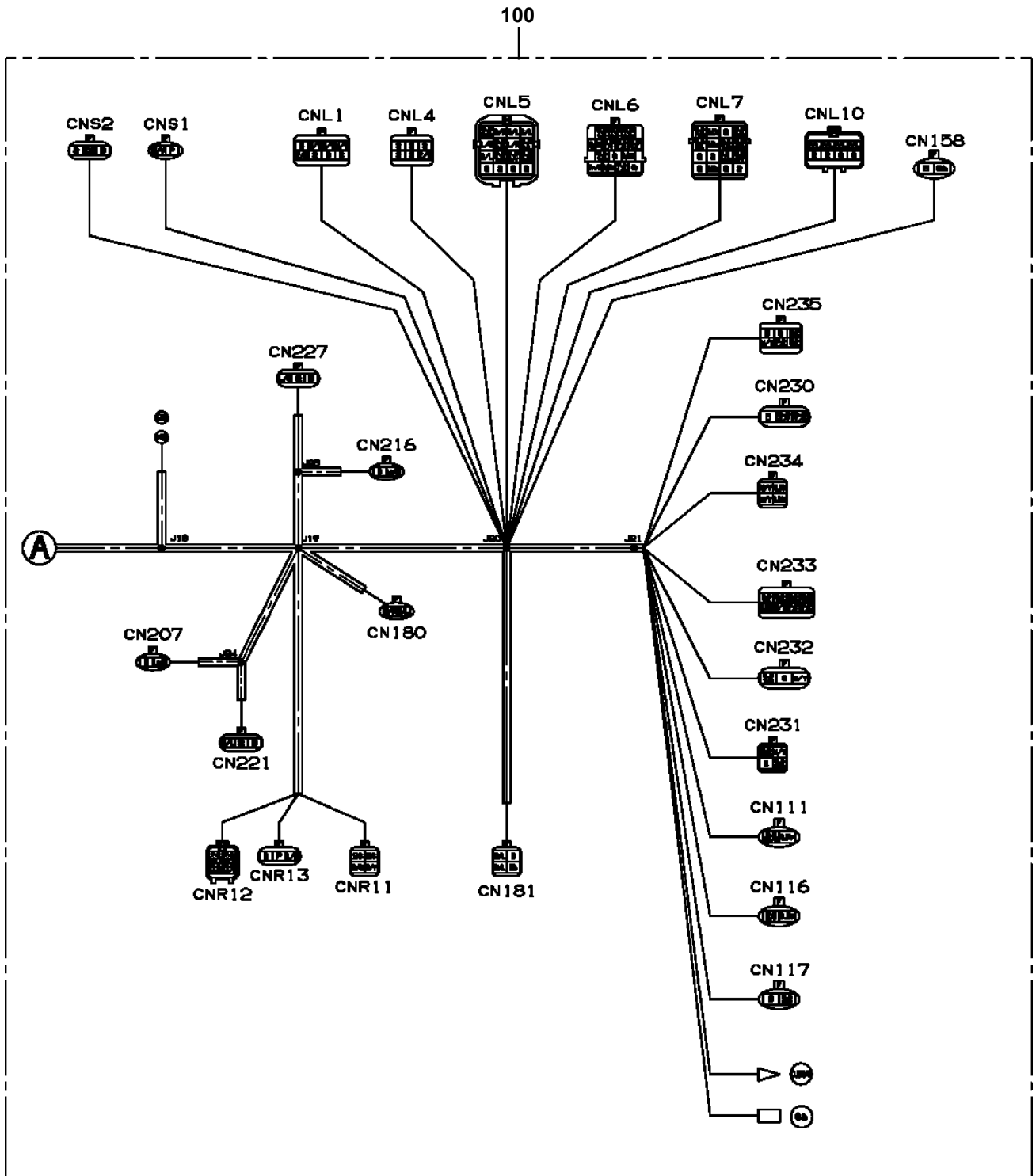
AT-146-3 43011100063 UPPER

Pos No.	Parts No	Parts Name	Qty	Unit	Technical Data	Serial No (Start)	Serial No (End)	Remarks	Pages
100	42475540010	HARNESS	1						

AT-146-3 43011100063 UPPER

Pos No.	Parts No	Parts Name	Qty	Unit	Technical Data	Serial No (Start)	Serial No (End)	Remarks	Pages
100	42736991020	HARNESS	1						

AT-146-3 43011100063 UPPER
PH5032428-00 HARNESS (MAIN)



AT-146-3 43011100063 UPPER

Pos No.	Parts No	Parts Name	Qty	Unit	Technical Data	Serial No (Start)	Serial No (End)	Remarks	Pages
100	42356320300	HARNESS	1						

AT-146-3 43011100063 UPPER

Pos No.	Parts No	Parts Name	Qty	Unit	Technical Data	Serial No (Start)	Serial No (End)	Remarks	Pages
1	36624110100	BODY	1						
2	36624110200	PLUG	2						
3	36624110300	SEAT	2						
4	36624110400	SPRING	2						
5	36624110501	PLUNGER	2						
6	36624110600	PISTON	1						
7	91001101200	O-RING	2		1A P12				
8	91001101800	O-RING	2		1A P18				
10	36624111000	PACKING	2						
30	36624630000	VALVE,CHECK	1						

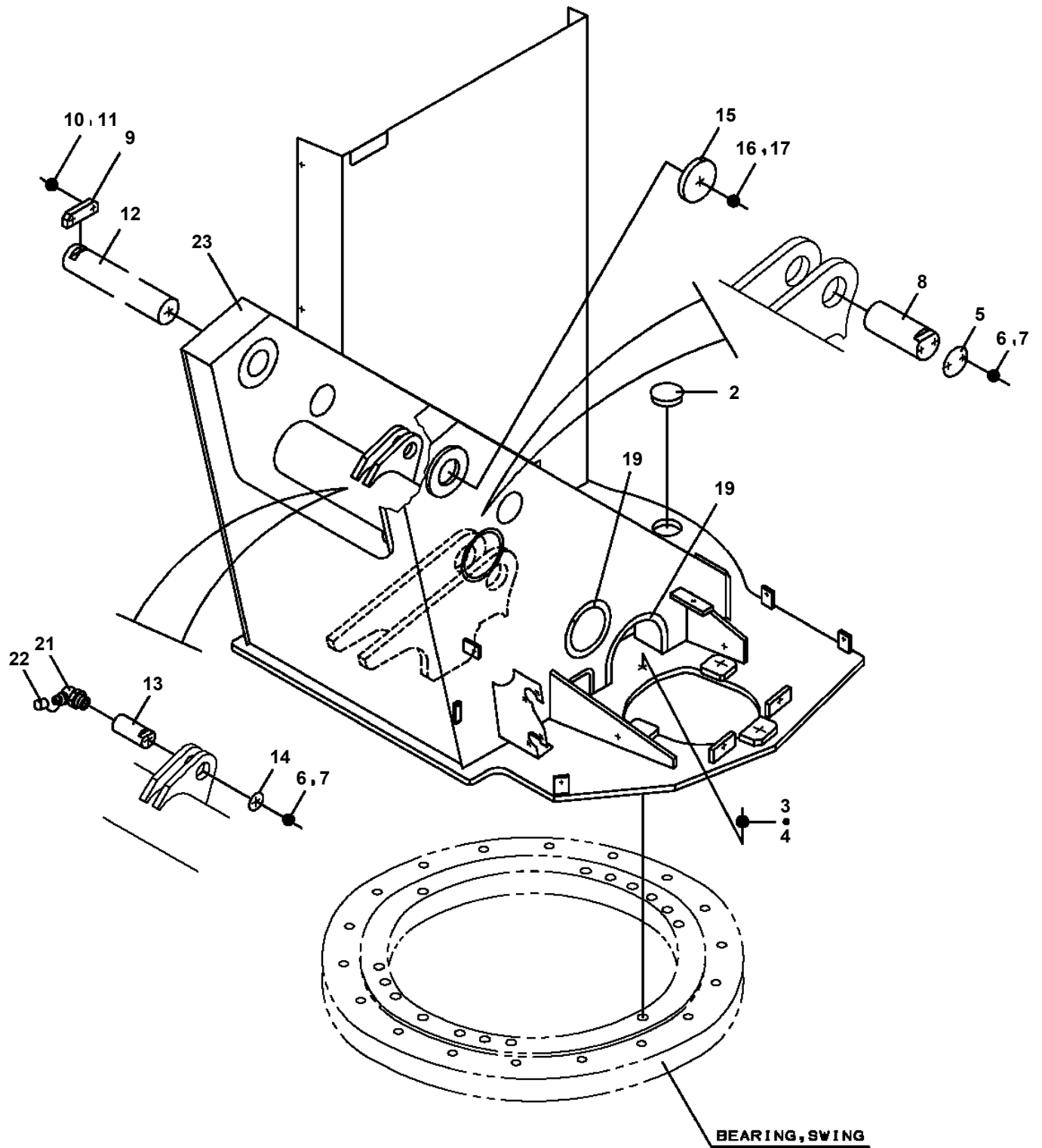
AT-146-3 43011100063 UPPER

Pos No.	Parts No	Parts Name	Qty	Unit	Technical Data	Serial No (Start)	Serial No (End)	Remarks	Page
1	36672815040	HEAD ASSY	1						
3	36672815030	FILTER,CARTRIDGE	1				229521		
	36672810030	FILTER,CARTRIDGE	1			229522			
10	36672810001	FILTER,OIL	1						

AT-146-3 43011100063 UPPER

Pos No.	Parts No	Parts Name	Qty	Unit	Technical Data	Serial No (Start)	Serial No (End)	Remarks	Pages
1	90183108015	BOLT	24		M8X15				
2	42267242101	COVER	1						
3	42267242201	COVER	1						
4	42267242301	COVER	1						
5	42267242401	COVER	1						
6	42267242501	COVER	1						
7	42267242601	COVER	1						
8	42267242701	COVER	1						
9	42267272301	COVER	1						
11	90183106010	BOLT	4		M6X1.0				
12	37000517000	PLATE	20						
24	82400000312	GROMMET	1		L=1000				

**AT-146-3 43011100063 UPPER
PK1100464-00 SWING FRAME**



AT-146-3 43011100063 UPPER

Pos No.	Parts No	Parts Name	Qty	Unit	Technical Data	Serial No (Start)	Serial No (End)	Remarks	Pages
1	42505350000	COVER (RACK,B)	1						

AT-146-3 43011100063 UPPER

Pos No.	Parts No	Parts Name	Qty	Unit	Technical Data	Serial No (Start)	Serial No (End)
1	36028230000	CYLINDER ASSY,LEVELING (UPPER)	1				228619
	36028620000	CYLINDER ASSY,LEVELING (UPPER)	1			228620	228696
	36028230000	CYLINDER ASSY,LEVELING (UPPER)	1			228697	
2	36606760000	VALVE ASSY,COUNTERBALANCE	1				
3	90171108065	BOLT	4		M8X65		

CLICK HERE TO **DOWNLOAD** THE COMPLETE MANUAL

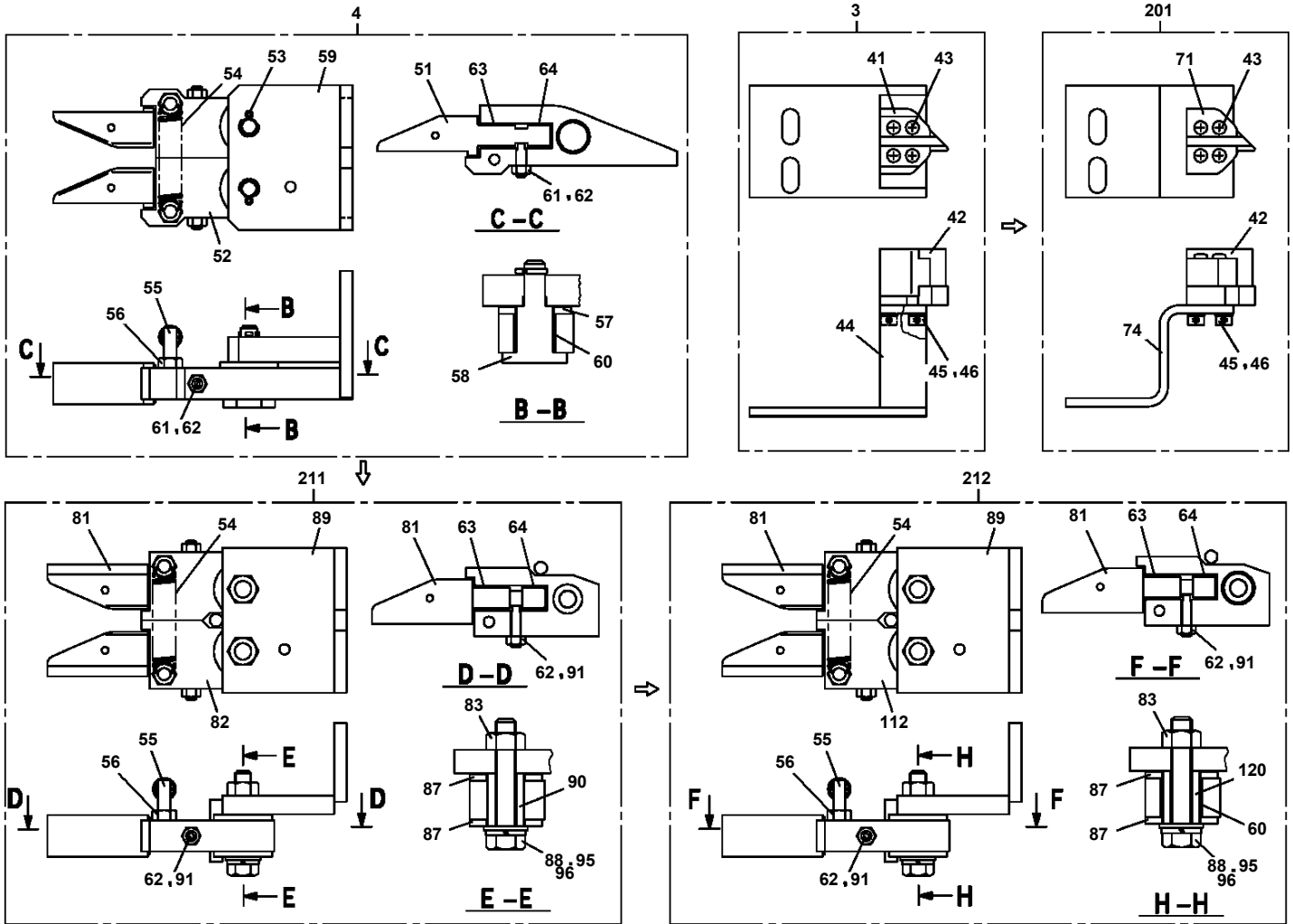
- Thank you very much for reading the preview of the manual.
- You can download the complete manual from: www.heydownloads.com by clicking the link below



- Please note: If there is no response to CLICKING the link, please download this PDF first and then click on it.

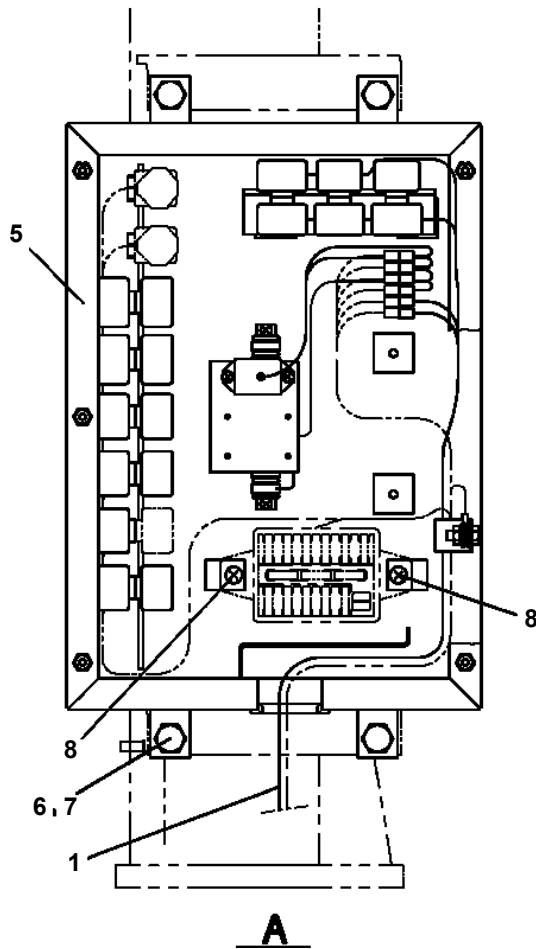
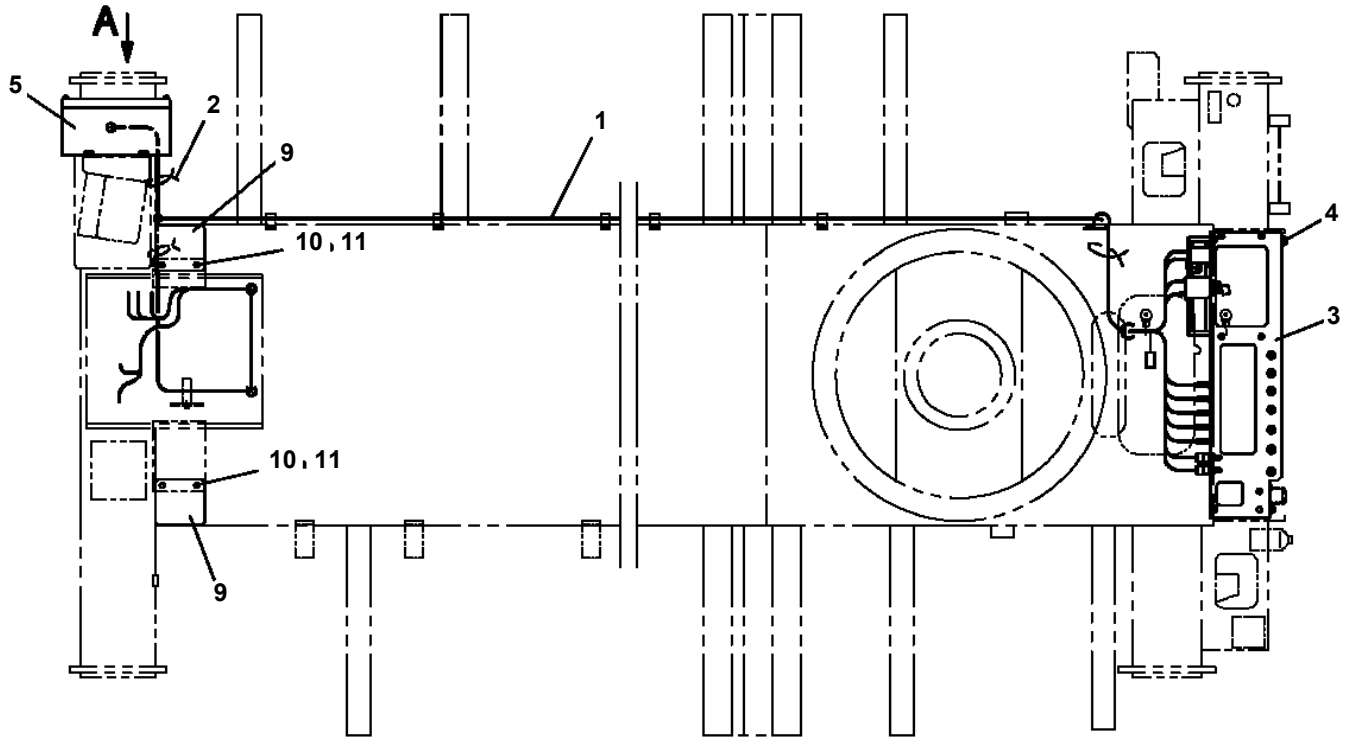
CLICK HERE TO **DOWNLOAD** THE COMPLETE MANUAL

**AT-146-3 43011100063 UPPER
PN1014442-04 ELEC.ASSY (CHARGER)**



AT-146-3 43011100063 UPPER
PN1014449-00 ELEC.ASSY (POWER UNIT)

FRONT ←



AT-146-3 43011100063 UPPER

Pos No.	Parts No	Parts Name	Qty	Unit	Technical Data	Serial No (Start)	Serial No (End)	Remarks
1	42434291000	CABLE,SIGNAL (ASSY ONLY)	1				228746	
	42509041000	CABLE ASSY,SIGNAL	1			228747		
2	37000714010	CLAMP ASSY	3		12X1			
3	37000300710	SLEEVE	5		12-8		228746	
	37000300710	SLEEVE	3		12-8	228747		
4	91810130240	FASTENER	20					
5	80192473010	SCREW,MACHINE	6		M3X10			
6	82100002004	CLAMP	2		WR8			
7	90302040601	WASHER,SPRING	2		6			
8	90201200600	NUT	2		M6			

AT-146-3 43011100063 UPPER

Pos No.	Parts No	Parts Name	Qty	Unit	Technical Data	Serial No (Start)	Serial No
1	82165904020	LAMP	1		24V 60W		
2	90813108020	BOLT,WING	1		M8X20		
3	91810130240	FASTENER	1				
4	82100002002	CLAMP	2		WR6		
5	90201200600	NUT	2		M6		
6	90302040601	WASHER,SPRING	2		6		
7	42736670100	HARNESS	1				
8	42736670200	SUPPORT	1				
9	90101212020	BOLT	1		M12X20		
10	90302041201	WASHER,SPRING	1		12		
11	37000189040	PIN	1				
12	80620210160	PIN,SNAP	1				
31	82100000054	BULB,LAMP	1		24V 60W		
32	82100002838	SWITCH ASSY (WITH HARNESS,TERMINAL)	1				

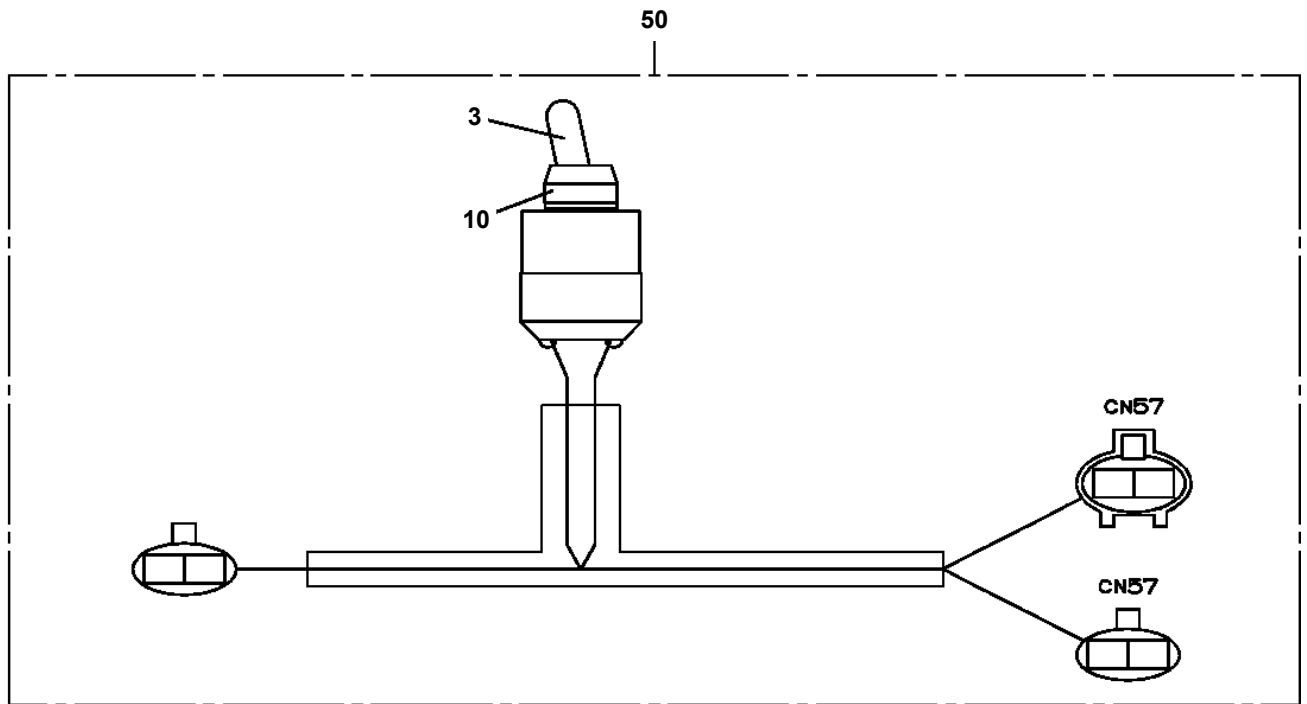
AT-146-3 43011100063 UPPER

Pos No.	Parts No	Parts Name	Qty	Unit	Technical Data	Serial No (Start)	Serial No (End)	Remarks
1	42503390102	HARNESS	1					
2	42503390200	LAMP ASSY (DC12V RED)	2					
3	42503390010	PLATE,NAME	1					
4	42331782110	PLATE,NAME	1					
5	42394783020	PLATE,NAME	1					

AT-146-3 43011100063 UPPER

Pos No.	Parts No	Parts Name	Qty	Unit	Technical Data	Serial No (Start)	Serial No (End)	Remarks	Pages
1	42421657510	FUSE	1		275A				
2	42421657520	FUSE	1		10A				
3	42421657530	FUSE	3		15A				
100	42421732001	INVERTER	1						

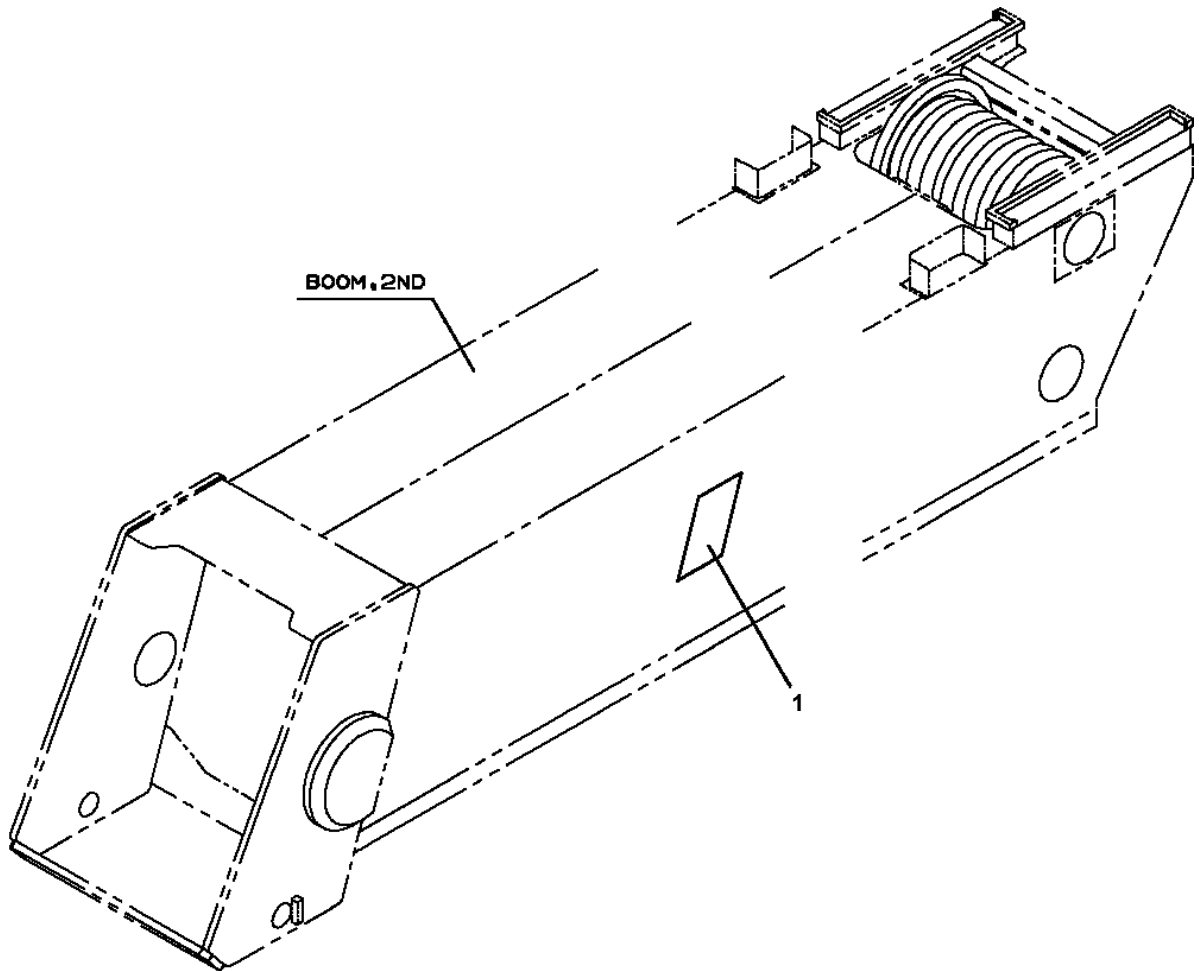
**AT-146-3 43011100063 UPPER
PN1450080-00 HARNESS**



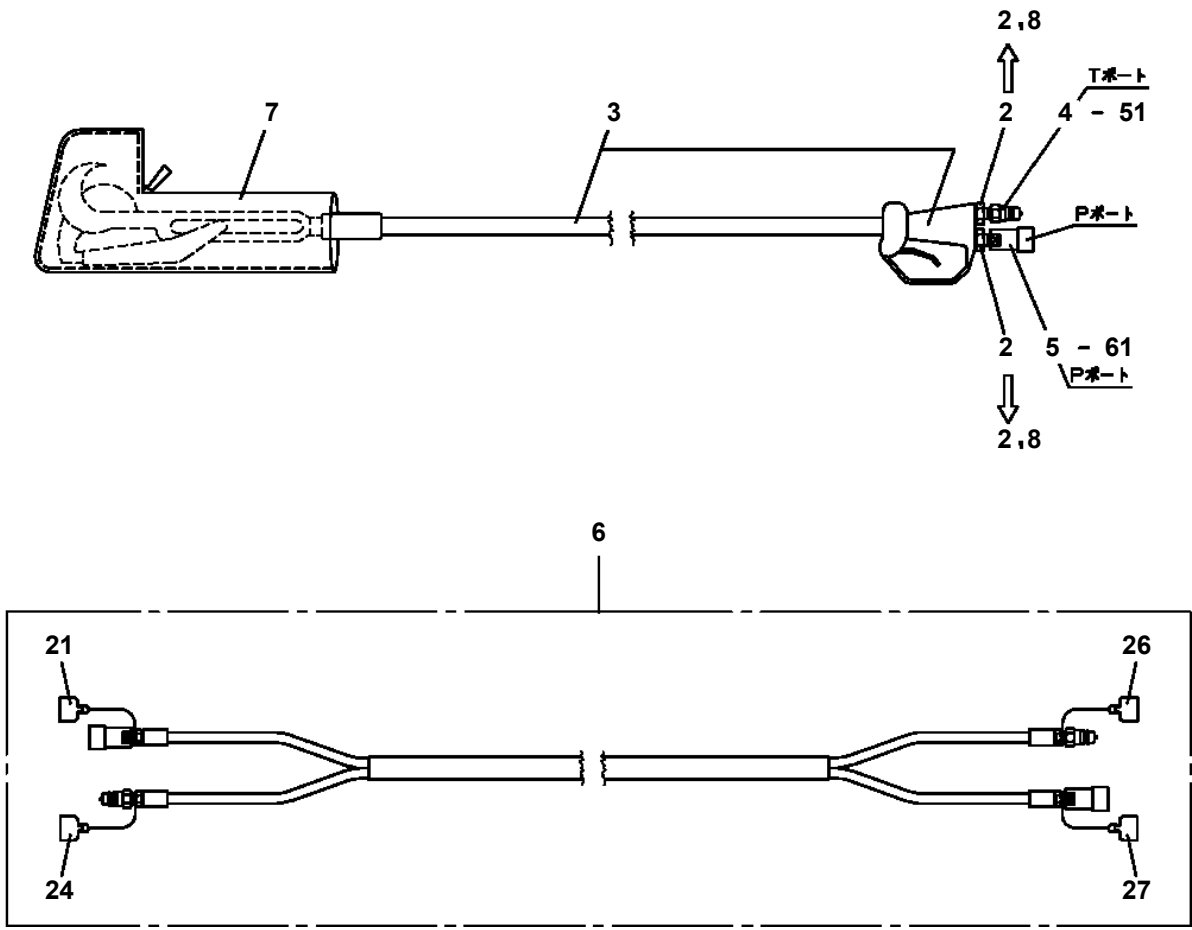
AT-146-3 43011100063 UPPER

Pos No.	Parts No	Parts Name	Qty	Unit	Technical Data	Serial No (Start)	Serial No (End)	F
1	42390780040	PLATE,NAME (WORKING SWITCH)	1					
2	42391701020	PLATE,NAME (AMC)	1					
3	42395882010	PLATE,CAUTION	1					
4	42398293010	PLATE,CAUTION	1					
5	37002201980	PLATE,NAME	2					
6	42394782040	PLATE,CAUTION	1					
8	90451700100	SCREW,TAPPING	4		M4X6.4			
9	37002226530	PLATE,NAME	1					
10	37002212700	PLATE,NAME	1					
11	42395081120	PLATE,NAME	1					
12	42398293020	PLATE,NAME	1					
13	42396051080	PLATE,CAUTION	1					
14	42398293030	PLATE,NAME	4					

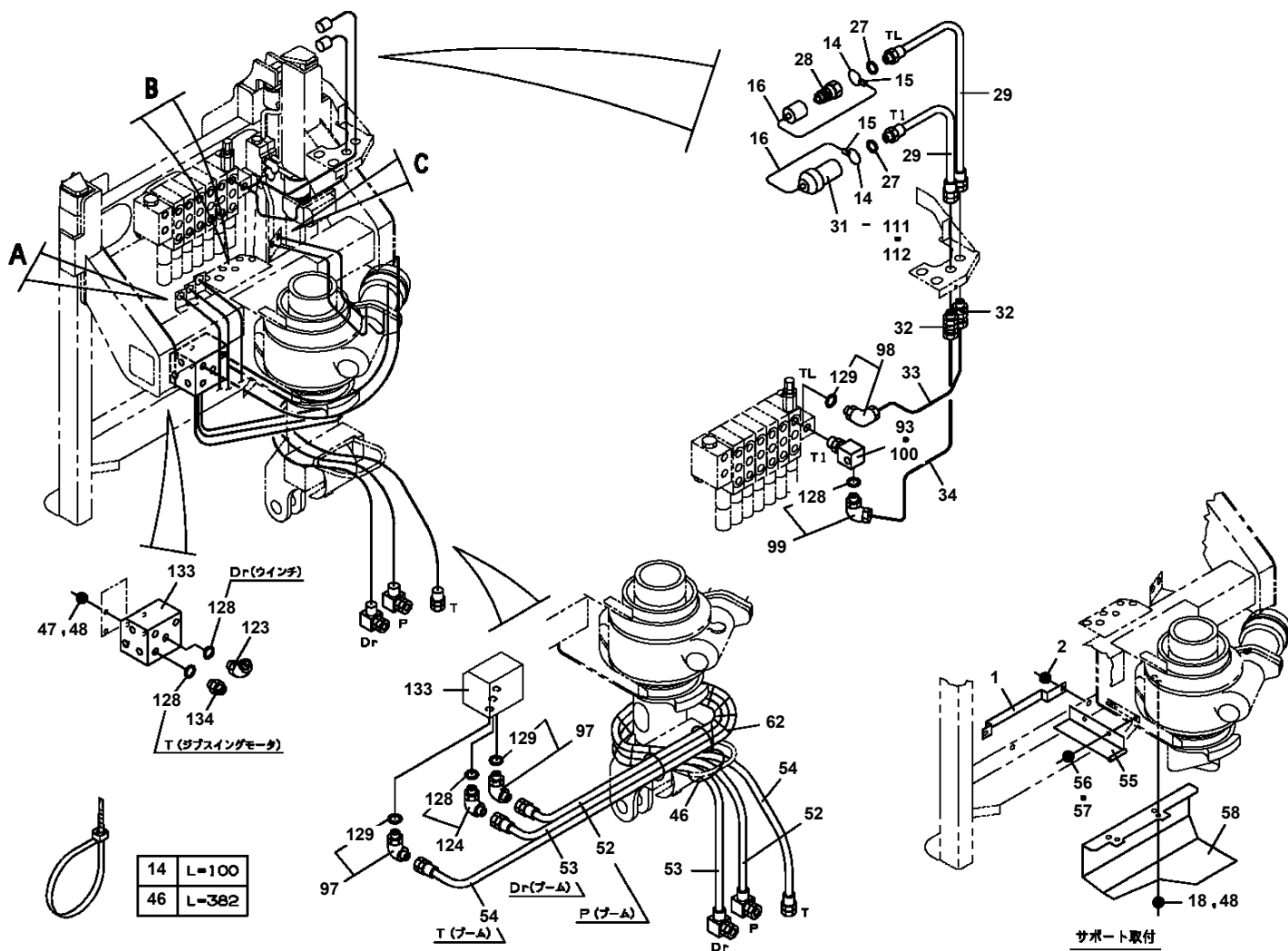
**AT-146-3 43011100063 UPPER
PO1050142-00 MARKING (BOOM)**



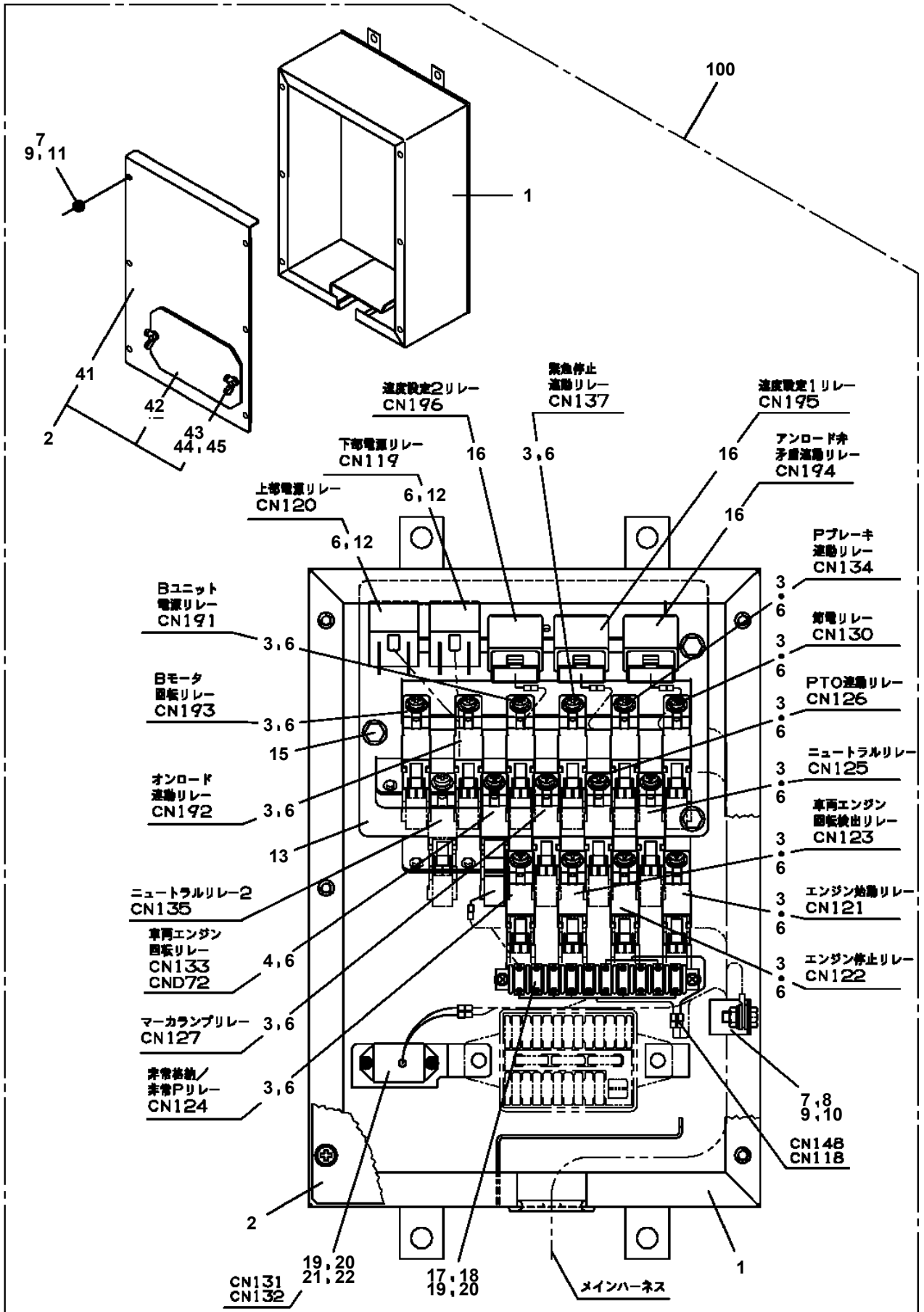
AT-146-3 43011100063 UPPER
PP5390001-00 PRUNER ASSY



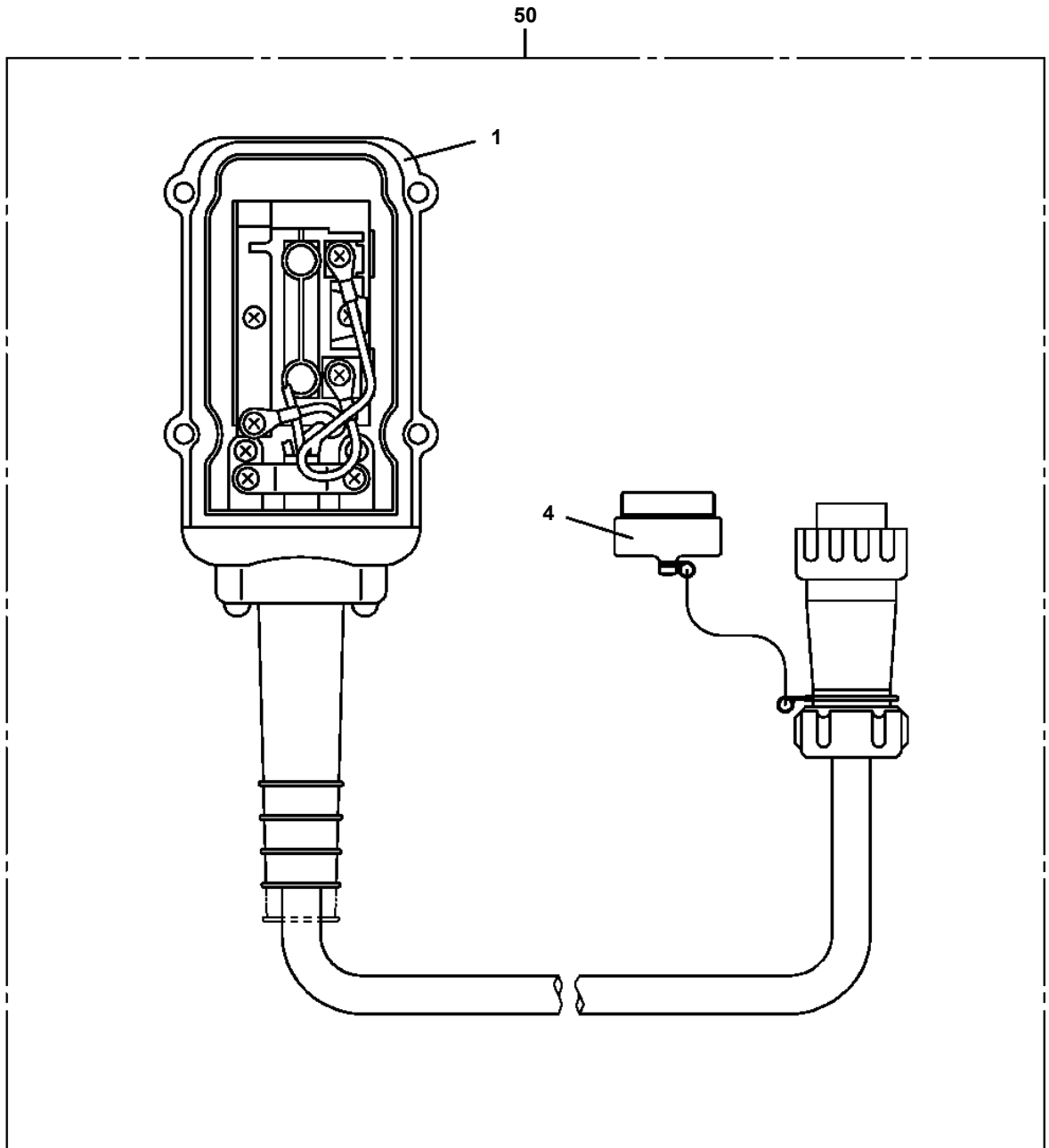
AT-146-3 43011100063 UPPER PP6080002-01 PIPING ASSY, BUCKET



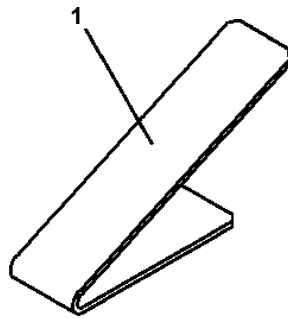
**AT-146-3 43011100063 UPPER
PR5100078-00 RELAY BOX ASSY**



**AT-146-3 43011100063 UPPER
PS5530103-00 SWITCH ASSY (3M,ELECTLIC BOOSTER REMOCON)**

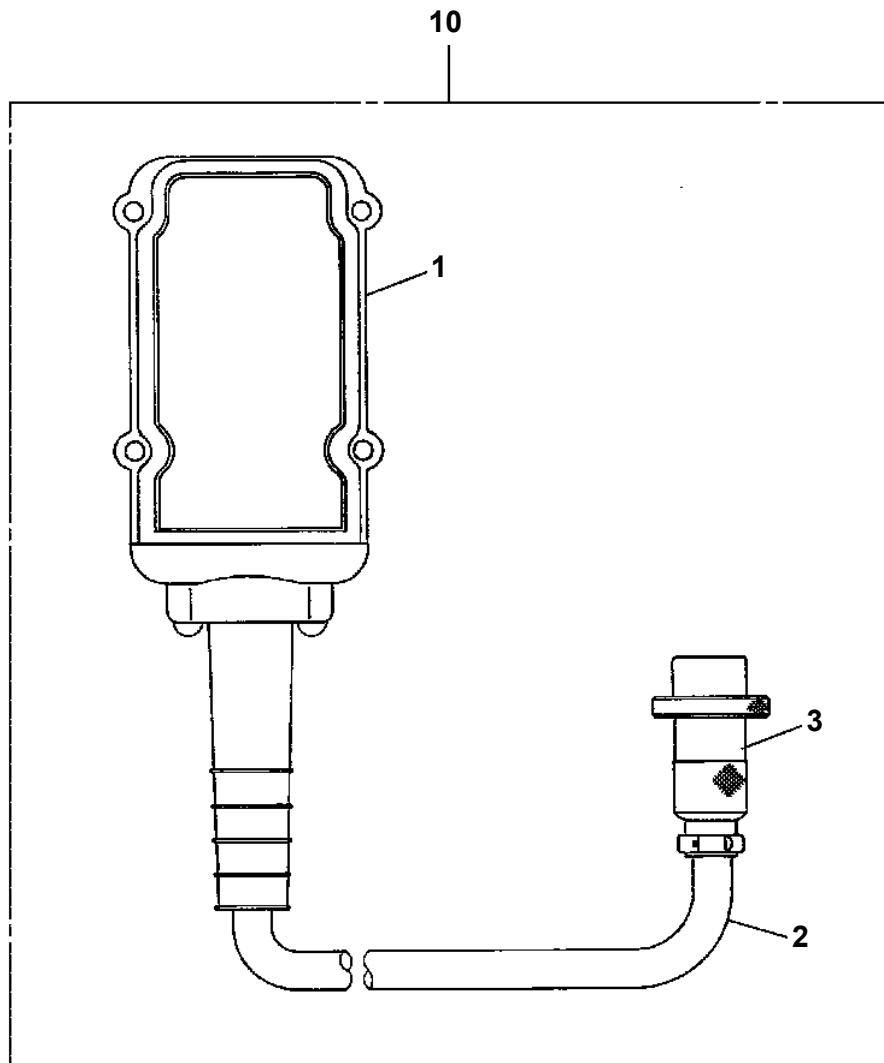


**AT-146-3 43011100063 UPPER
PS5550005-00 SUPPORT (7 DEGREES ANGLE METER MOUNTING)**

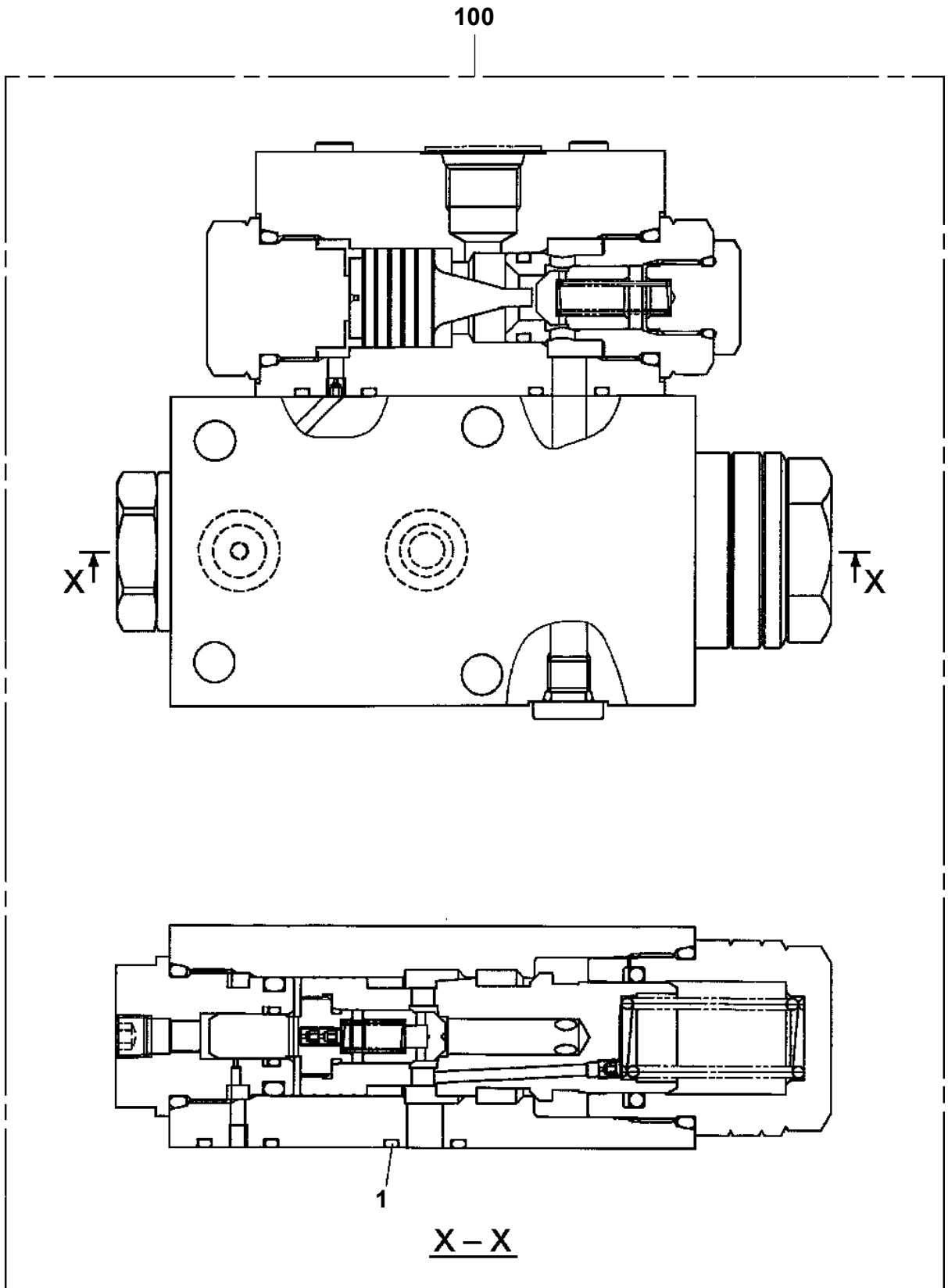


AT-146-3 43011100063 UPPER

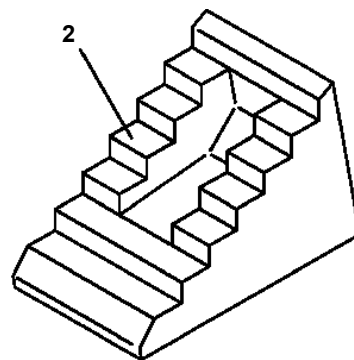
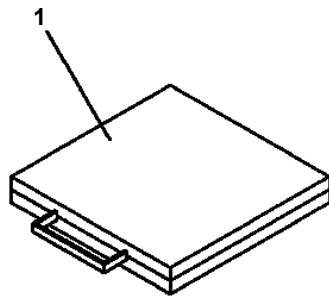
PV1030110-00 SWITCH BOX (ELECTRIC BOOSTER, 5M,NANABOSI,SINKOU DENKI)



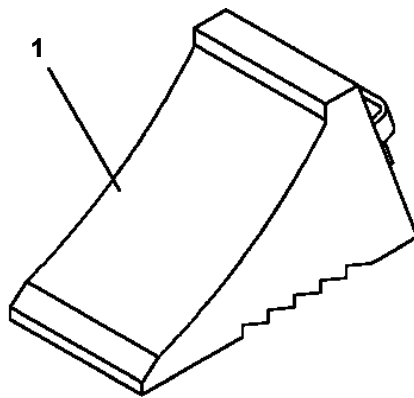
AT-146-3 43011100063 UPPER
PV5070007-00 VALVE ASSY,COUNTERBALANCE



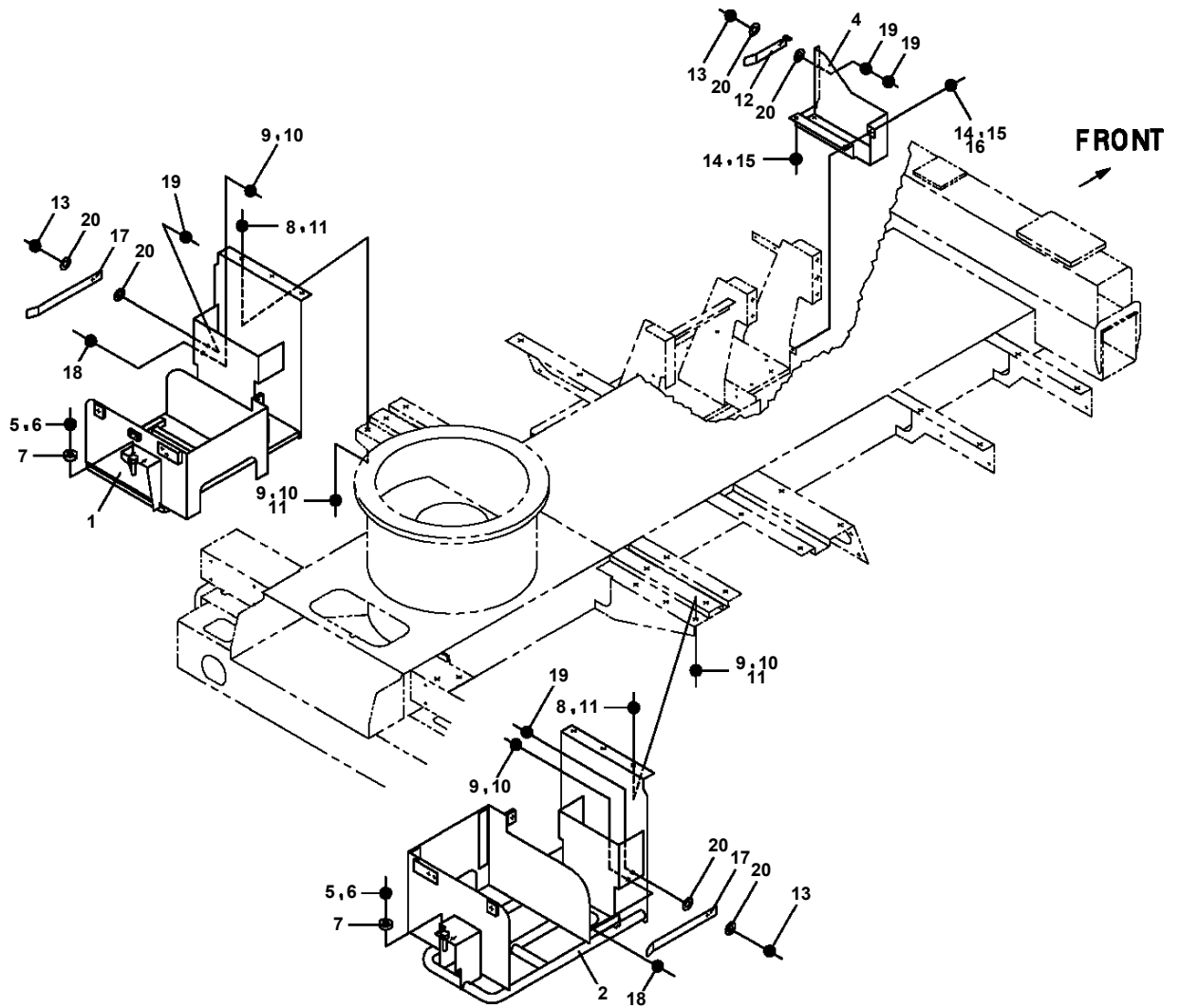
**AT-146-3 43011100063 UPPER
PW1010377-00 ACCESSORIES**



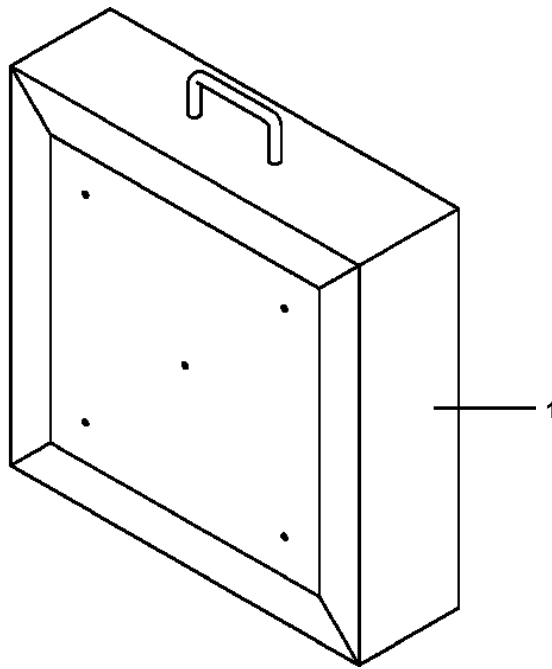
**AT-146-3 43011100063 UPPER
PW5110002-00 WEDGE (STOPPER FOR TIRE/WAZUMI)**



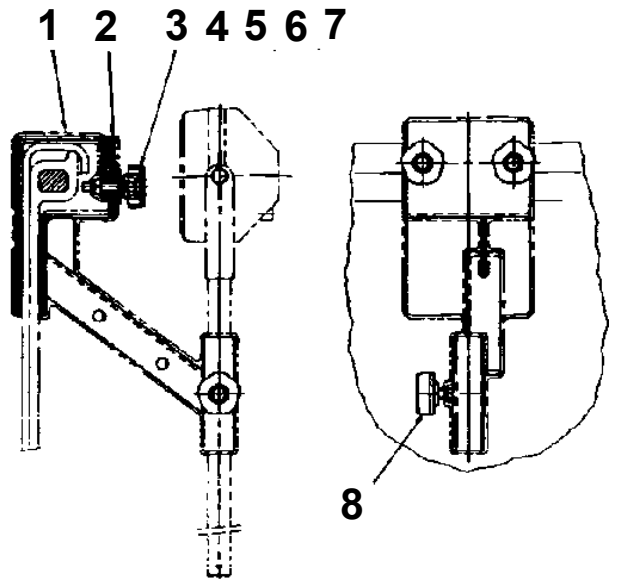
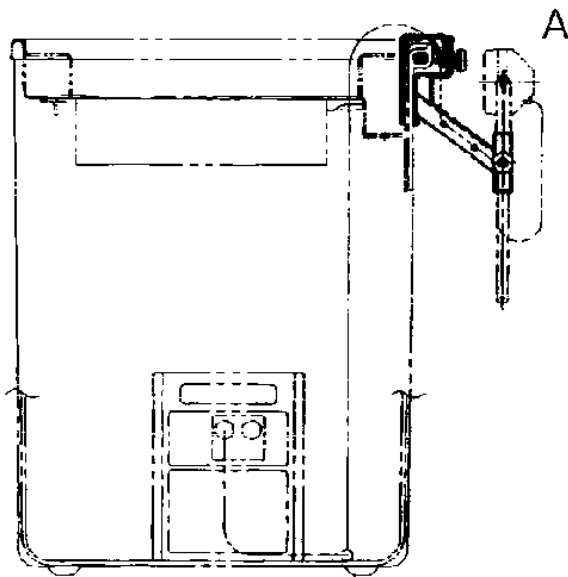
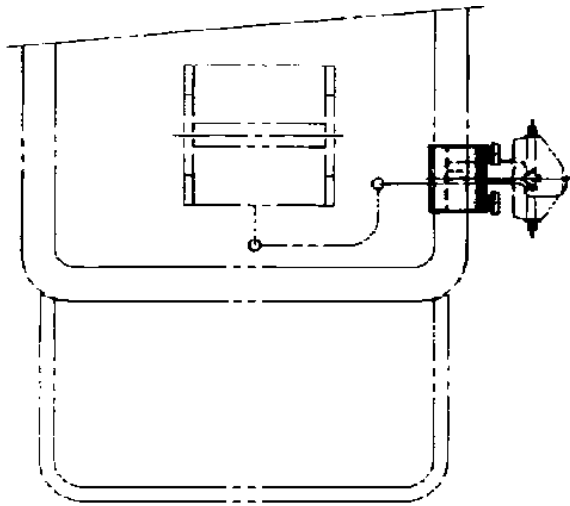
**AT-146-3 43011100063 UPPER
PX1200659-00 SIDE GUARD**



**AT-146-3 43011100063 UPPER
PX1270125-00 WOOD BLOCK (WITH RUBBER,T=100)**



**AT-146-3 43011100063 UPPER
PX1310050-00 MOUNT, LAMP (BUCKET, FOR NTT, OPTION)**



A

AT-146-3 43011100063 UPPER

Pos No.	Parts No	Parts Name	Qty	Unit	Technical Data	Serial No (Start)	Serial No (End)
2	42835807510	DOOR	1				
3	42835797680	COVER	1				
5	42835807520	SEAT	1				
7	42835797550	SEAL	4				
8	42831877540	INSULATOR	2				
9	42835107600	WEATHER STRIP	1		L=2520		
10	42835357590	CATCH	1				
12	42835797710	LATCH (RING)	1				
13	42835797580	PLUG (HOLE)	4				
14	42833077610	BUSH	4				
15	42834457590	SCREW,MACHINE (SEMS)	2		M4X12		
16	42835837600	SCREW,MACHINE	4		M5X12		
17	42835797720	SCREW,MACHINE (WITH W,SW,NUT)	4		M4X10		
18	42835487650	HINGE	2				
19	80175805012	SCREW,MACHINE	6		M5X12		
20	42835797730	TRIM	1		380MM		
21	42836317920	PLATE	2				
22	42836037550	WASHER,TOOTH	2		M10		
23	42835807530	PACKING	2				
100	42835801000	BOX,TOOL	1				

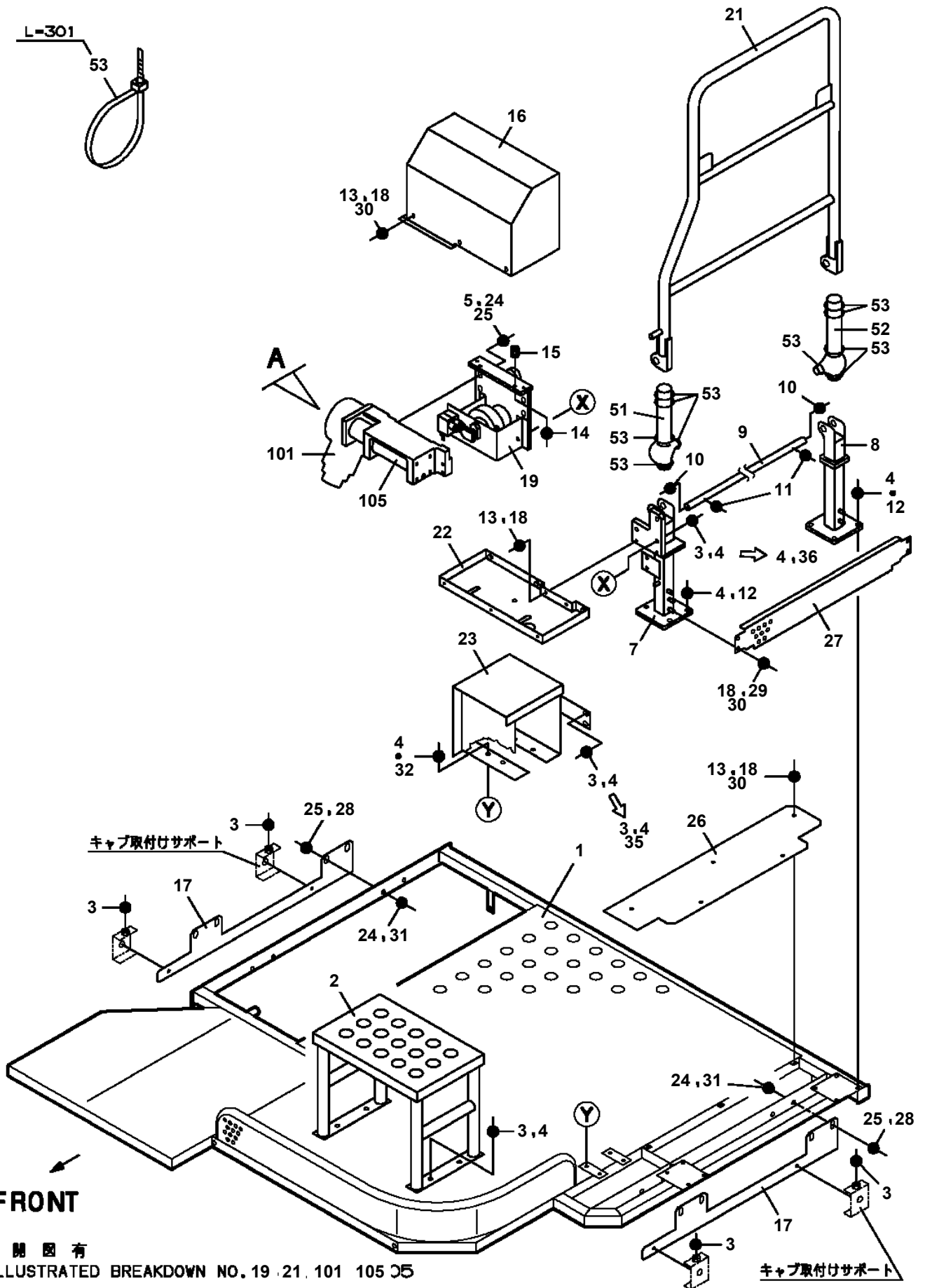
AT-146-3 43011100063 UPPER

Pos No.	Parts No	Parts Name	Qty	Unit	Technical Data	Serial No (Start)	Serial No (End)	Remarks	Pages
1	42837831000	BOX,TOOL	1						00027
2	42835182000	BOX,TOOL	1						00027
4	82401800060	PLUG (FOR M6)	10						
6	90101210014	BOLT	6		M10X14				
7	90302041001	WASHER,SPRING	23		10				
8	90101210025	BOLT	15		M10X25				
9	37000505950	PLATE	12		T=3.2				
10	82401800120	PLUG (FOR M12)	4						
31	42836315100	SUPPORT	1						
32	42835795200	SUPPORT	1						
34	90101210020	BOLT	2		M10X20				
36	90101208025	BOLT	2		M8X25				
37	90302040801	WASHER,SPRING	2		8				
38	90303071001	WASHER,PLAIN	3		10				
40	42836811000	BOX,TOOL	1						00027
42	42835790200	SUPPORT	1						
43	37000581940	PLATE	N		T=0.5				
51	42394781030	PLATE (NON-SLIP)	8						
52	42834473100	PLATE (NON-SLIP)	4						
61	42394484010	PLATE (NON-SLIP)	1						
62	42393891070	PLATE (NON-SLIP)	1						
63	42393891060	PLATE (NON-SLIP)	2						
64	42396552010	PLATE (NON-SLIP)	1						
65	42397246020	PLATE (NON-SLIP)	1						

AT-146-3 43011100063 UPPER

Pos No.	Parts No	Parts Name	Qty	Unit	Technical Data	Se
1	(***** *****)	MOUNT ASSY,DECK ON CAB (WITH BOX,TOOL)	1			
2	(***** *****)	ELEC.ASSY	1			
	(***** *****)	ELEC.ASSY	1			
3	(***** *****)	MOUNT ASSY,TOOL BOX (ROOF RACK,MOBILE FENCE,ON CAB,GAS)	1			
4	(***** *****)	NAME PLATE ASSY (ROOF RACK,MOBILE FENCE)	1			

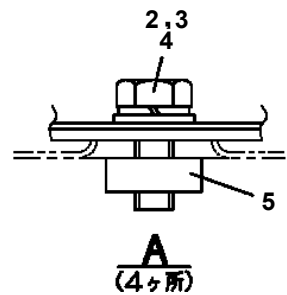
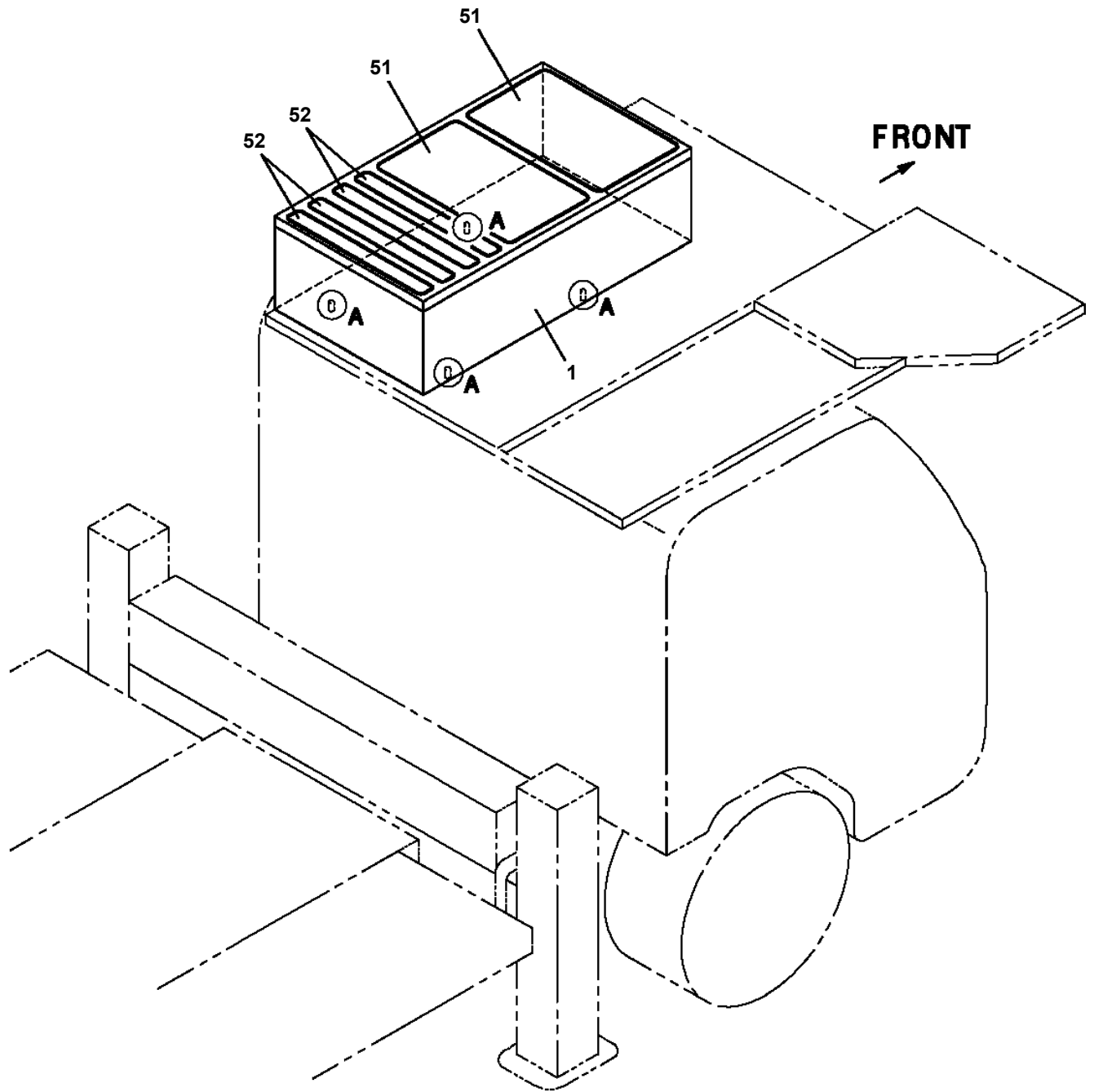
AT-146-3 43011100063 UPPER
 PX5290020-02 MOUNT ASSY,DECK ON CAB (WITH BOX,TOOL)



展開図有
 ILLUSTRATED BREAKDOWN NO. 19 21 101 105 05

キャブ取付けサポート

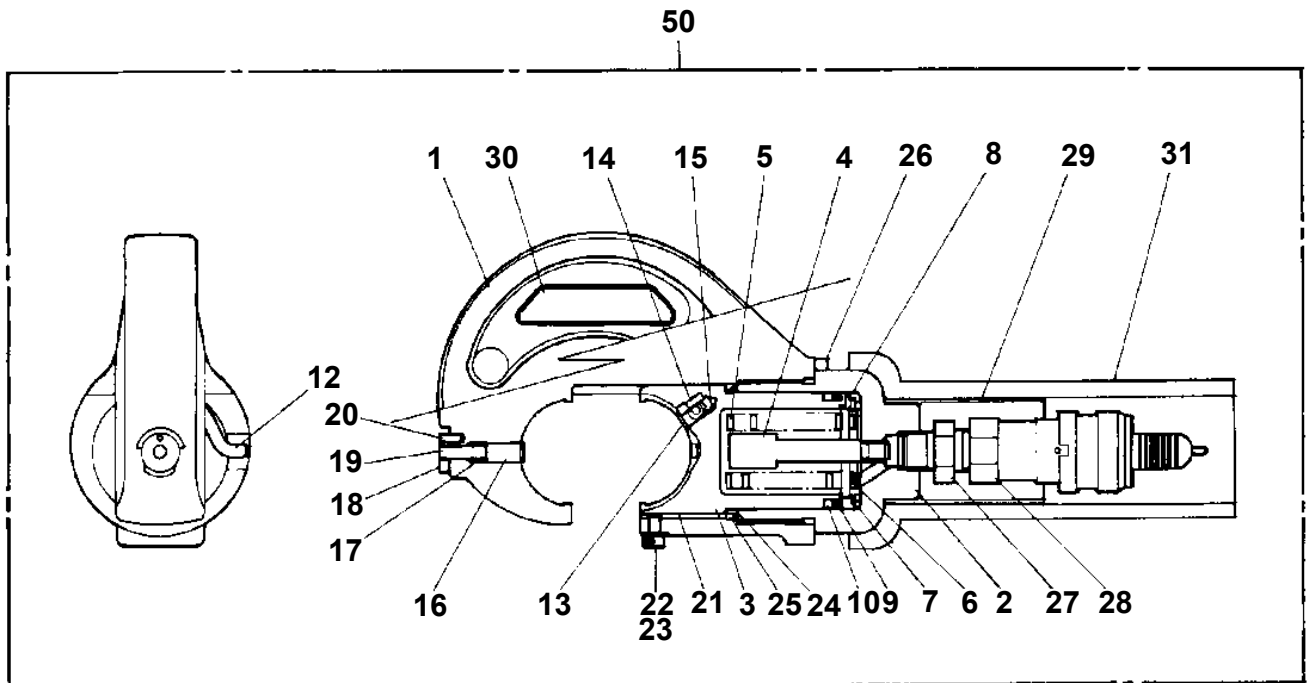
AT-146-3 43011100063 UPPER
PX5780077-00 MOUNT ASSY, TOOL BOX (ROOF RACK, MOBILE FENCE, ON CAB, GA



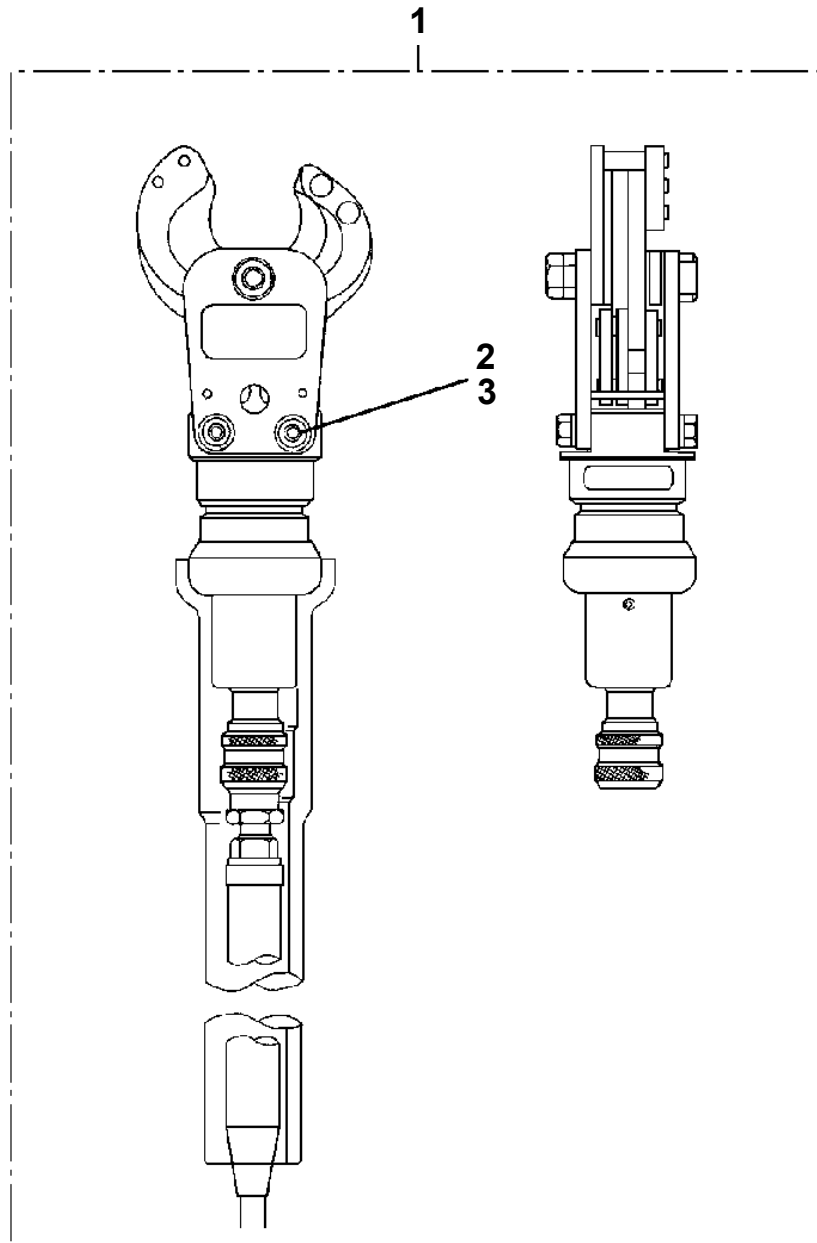
AT-146-3 4301110063 UPPER

Pos No.	Parts No	Parts Name	Qty	Unit	Technical Data	Se
1	42470180000	CLAMP HEAD (IZUMI 12TON 2.5M)	1			
	42472640000	CLAMP HEAD (IZUMI 8TON 3.5M ELECTRIC)	1			
	42470590000	CLAMP HEAD (O.D.K 7.5TON 3M)	1			
	42470020000	CLAMP HEAD (IZUMI 8TON,2.5M)	1			
7	42470365000	CLAMP HEAD (SANWA,12TON,TITANIUM)	1			
	(*****)	CLAMP HEAD (SANWA,12TON)	1			
	42471070000	CLAMP HEAD (O.D.K 10TON ELECTRIC)	1			
11	42470021000	CLAMP HEAD (IZUMI 8TON,2.5M/YONDENKOU)	1			
13	42972380000	CLAMP HEAD ASSY (YONDENKO/SAFETY HOSE)	1			
	42473850000	CLAMP HEAD (IZUMI 8TO,3.5M)	1			
14	42470030000	CUTTER HEAD (IZUMI 6.4TON 2.5M ELECTRIC)	1			
15	42470530000	CUTTER HEAD (IZUMI 6.4TON AIR)	1			
16	42972390000	CUTTER HEAD ASSY (YONDENKO/SAFETY HOSE)	1			
	42473190000	CUTTER HEAD (IZUMI 6.4TON 2.5M ELECTRICSANWA)	1			
17	42471800000	HOSE,BOOSTER (WITH AIR BALLOON,2M)	1			
	42470363000	HOSE,BOOSTER (WITH AIR BALLOON,5M)	1			
	(*****)	HOSE,BOOSTER (WITH AIR BALLOON)	1			
20	42471080000	HOSE,BOOSTER (MAIL-FEMALE,3M)	1			
	42471085000	HOSE,BOOSTER (MALE-FEMALE,5M)	1			
22	42472480000	HOSE,BOOSTER (FEMALE-FEMALE,3M)	1			
	42472130000	HOSE,BOOSTER (FEMALE-FEMALE,5M)	1			
24	42471561000	HOSE,BOOSTER (SMALL,WITH AIR BALLOON)	1			
	42506280000	HOSE,BOOSTER (LARGE,AIR BALLOON ONLY)	1			
25	42479580000	SWITCH BOX(BOOSTER,3M/SANWA)	1			
	42509160000	SWITCH ASSY (ELEC.BOOSTER, REMOTE:3M,NANABOSI,KASUGA)	1			
	42508450000	SWITCH ASSY (3M,ELECTLIC BOOSTER REMOCON)	1			
	42470983000	SWITCH BOX (ELECTRIC BOOSTER, 3M,NANABOSI,SINKOU DENKI)	1			
	42470985000	SWITCH BOX (ELECTRIC BOOSTER, 5M,NANABOSI,SINKOU DENKI)	1			
	42509170000	SWITCH ASSY (ELEC.BOOSTER, REMOTE:5M,NANABOSI,KASUGA)	1			
	42470980000	SWITCH BOX (FOR BOOSTER)	1			
	42509150000	SWITCH ASSY (ELEC.BOOSTER, REMOTE:2M,NANABOSI,KASUGA)	1			
29	42476260000	FOOT SWITCH (OPTION)	1			
30	42471270000	DRIL,HYDRAULIC	1			
31	(*****)	WRENCH,IMPACT (HYDRAULIC)	1			
32	(*****)	PRUNER ASSY	1			
33	(*****)	ARM	1			
	(*****)	ARM	1			
	(*****)	ARM	1			
	42506220000	ARM (HOLDER WITH INSULATOR, FOUR FACE ROLLER,HOT STICK)	1			
	(*****)	ARM	1			
	(*****)	ARM	1			
34	(*****)	ARM,ATTACHMENT (L-TYPE JIB)	1			
39	42470050000	ROPE (SAFETY,1.5M,WITH HOOK)	1			
40	42470330000	ROPE (SAFETY,YELLOW:TD-TYPE)	1			
	42472790000	ROPE (SAFETY,YELLOW:TD-TYPE)	1			
	42473650000	ROPE (SAFETY,0.5M,D=24)	1			
43	42472670000	ROPE (SAFETY,WHITE)	1			
44	42472650000	HANGER (FOR BUCKET)	1			
	42474540000	HANGER (FOR BUCKET,FRP)	1			
	42475930000	HANGER (FOR BUCKET,FRP)	1			
	42474160000	HANGER (FOR BUCKET)	1			
48	42472990000	BOX,TOOL (FOR BUCKET)	1			
	42503180000	BOX,TOOL (FOR BUCKET,FRP)	1			
49	42472530000	BOX,TOOL (FOR BUCKET)	1			
51	42474030000	STEP,BUCKET (GRAY,FOR BUCKET INNER)	1			
52	42473340000	STEP,BUCKET	1			
53	42501650000	STEP,BUCKET	1			
54	42474632000	COVER,LAMP (WORKING)	1			
55	42475965000	COVER,WINCH (GRAY,FOR KANDENKO)	1			
56	(*****)	SUPPORT	1			
57	(*****)	SUPPORT (WINCH JIB,OPTION)	1			
58	(*****)	SUPPORT (WINCH JIB,FOR HOKURIKUDENKOU)	1			
59	(*****)	LAMP (12V60W,WITH CIGARETTE LIGHTER)	1			

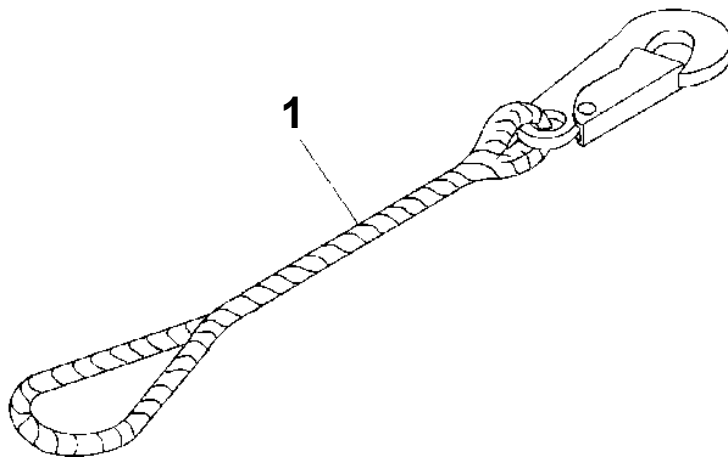
AT-146-3 43011100063 UPPER
PY1050007-00 CLAMP HEAD (SANWA,12TON)



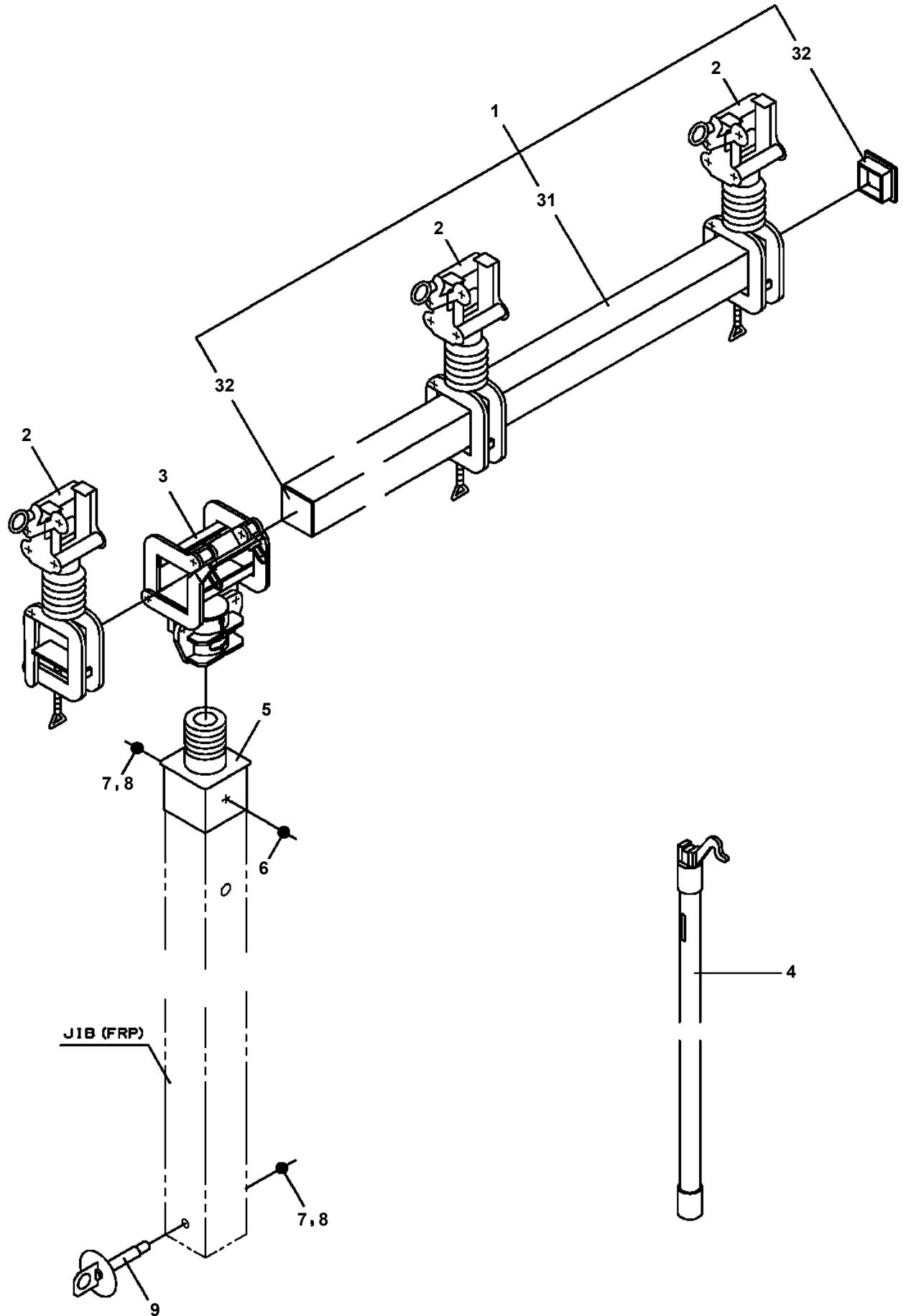
**AT-146-3 43011100063 UPPER
PY1060000-01 CUTTER HEAD (IZUMI 6.4TON AIR)**



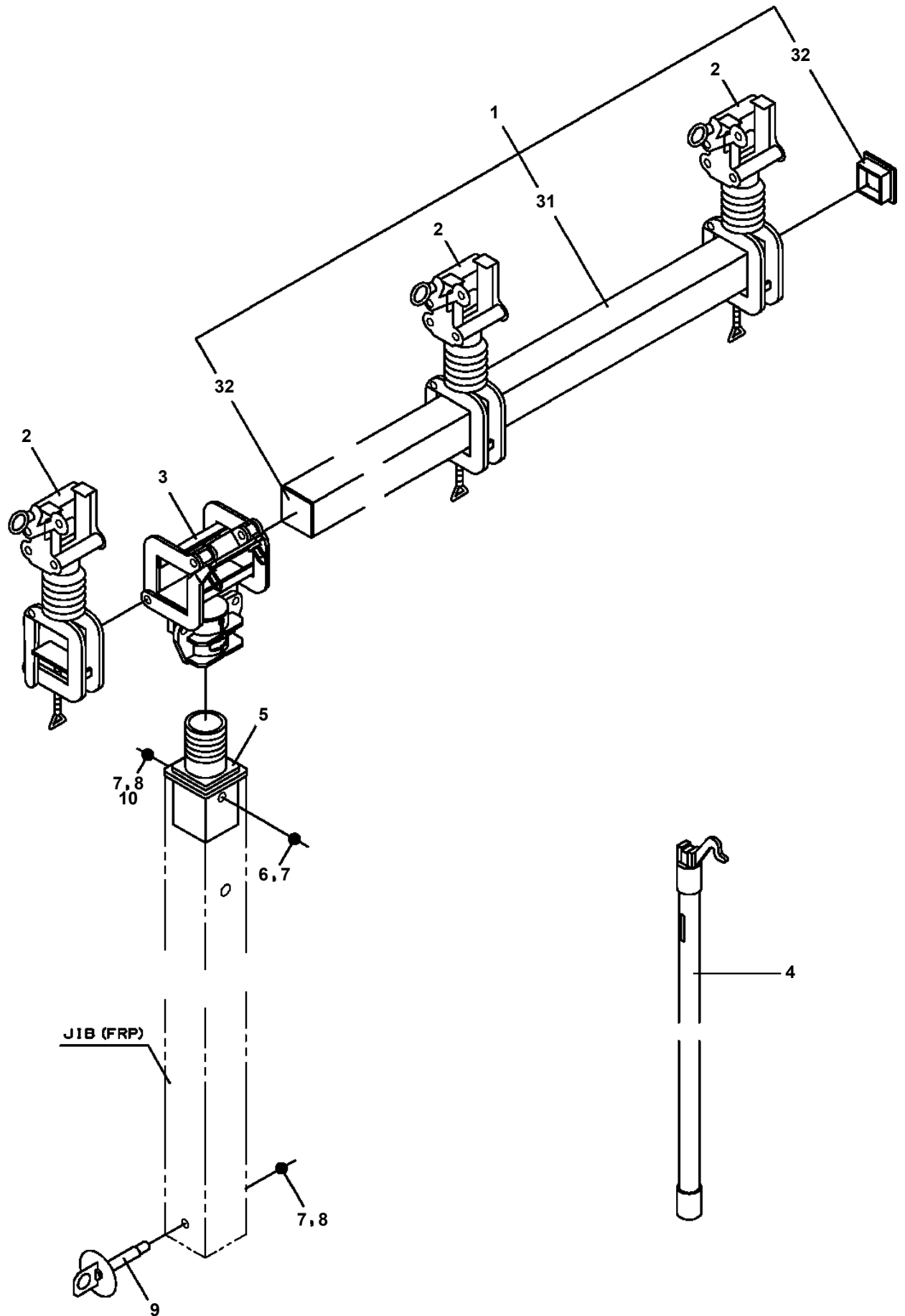
**AT-146-3 43011100063 UPPER
PY1070001-00 ROPE (SAFETY,1.5M,WITH HOOK)**



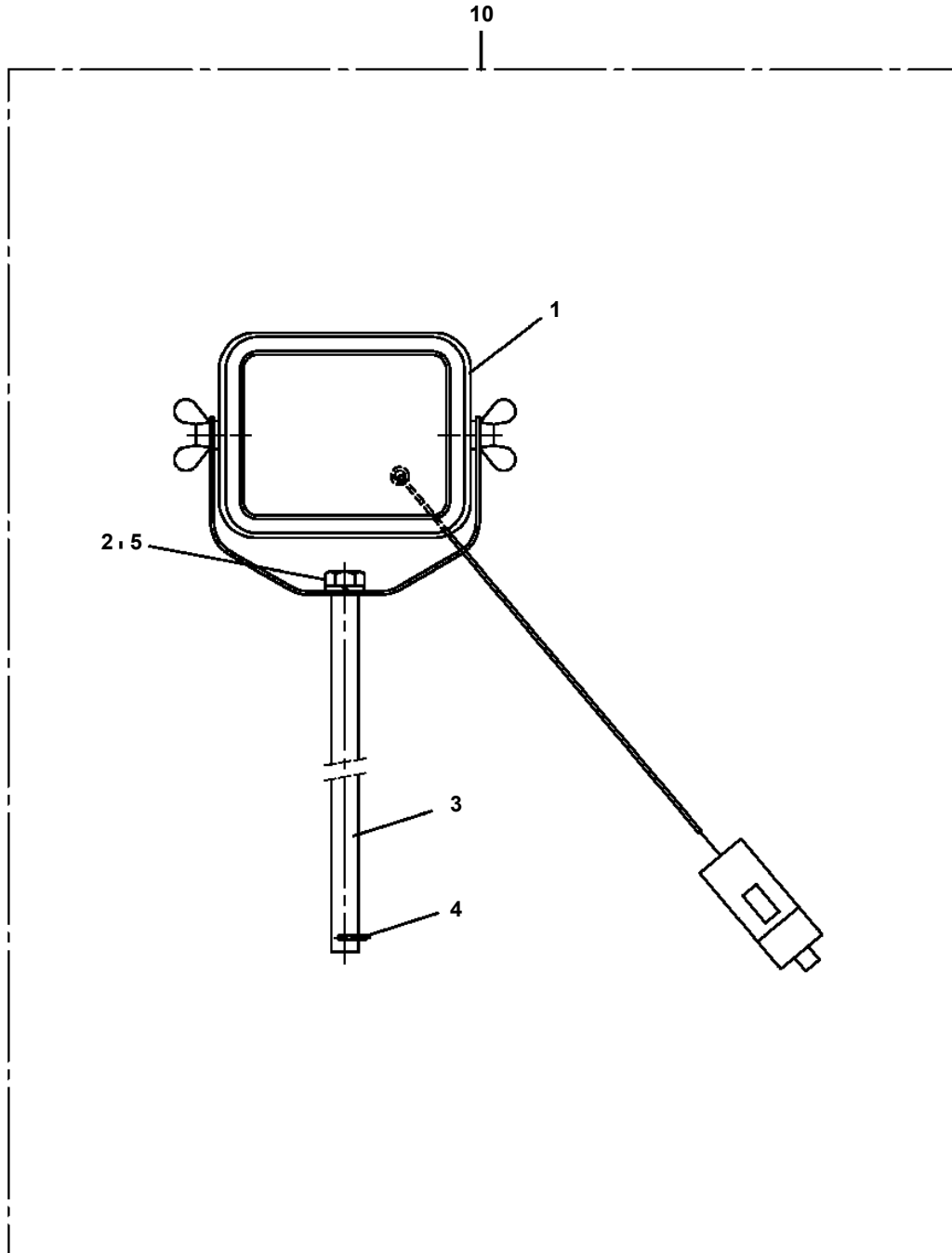
AT-146-3 43011100063 UPPER
PY1080032-00 ARM



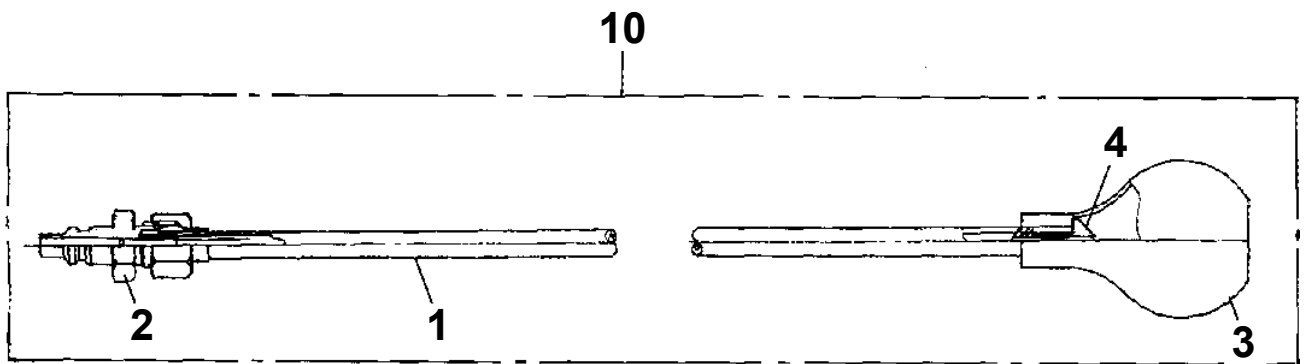
AT-146-3 43011100063 UPPER
PY1080037-00 ARM (HOLDER WITH INSULATOR, FOUR FACE ROLLER, HOT STICK)



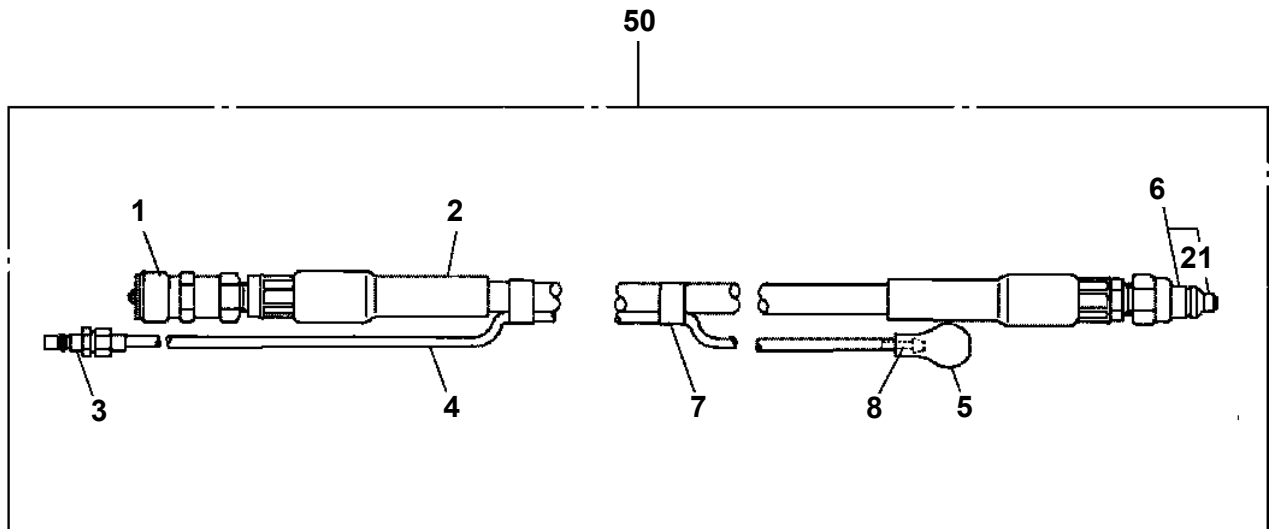
**AT-146-3 43011100063 UPPER
PY1180208-00 LAMP (12V60W,WITH CIGARETTE LIGHTER)**



**AT-146-3 43011100063 UPPER
PY1590005-01 HOSE,BOOSTER (SMALL,WITH AIR BALLOON)**

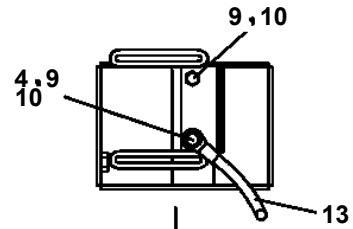
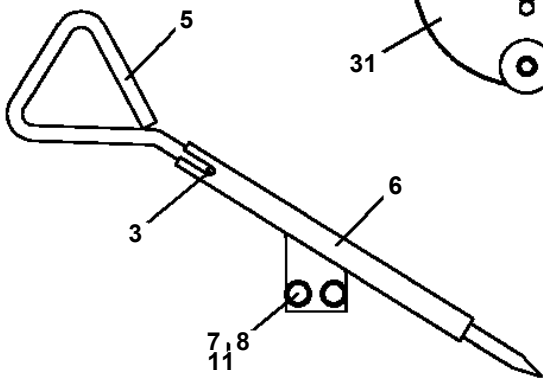
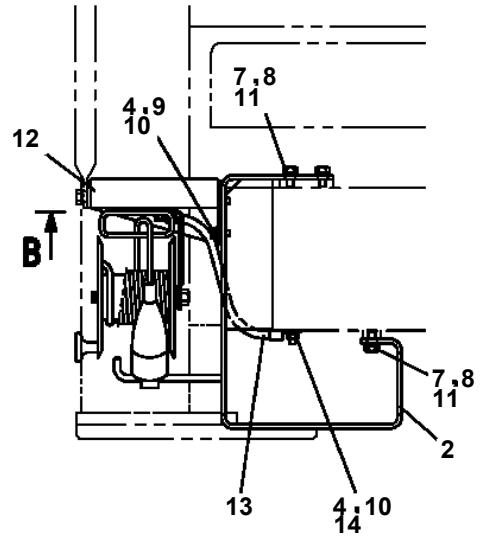
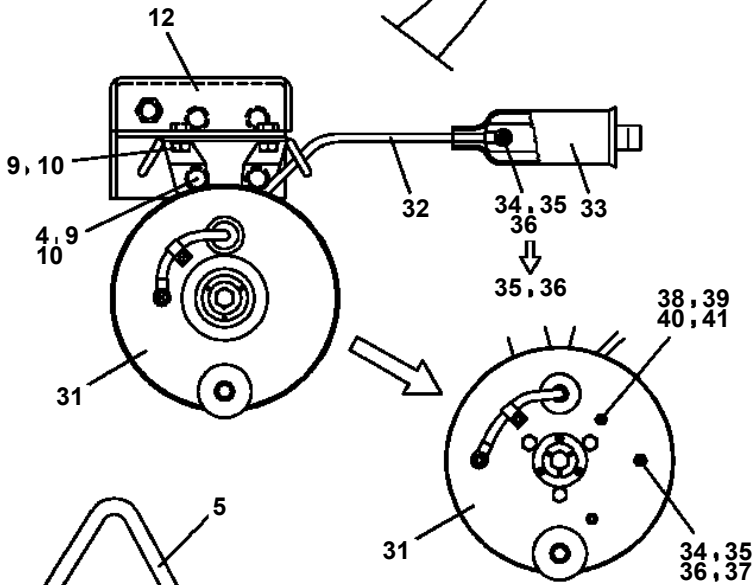
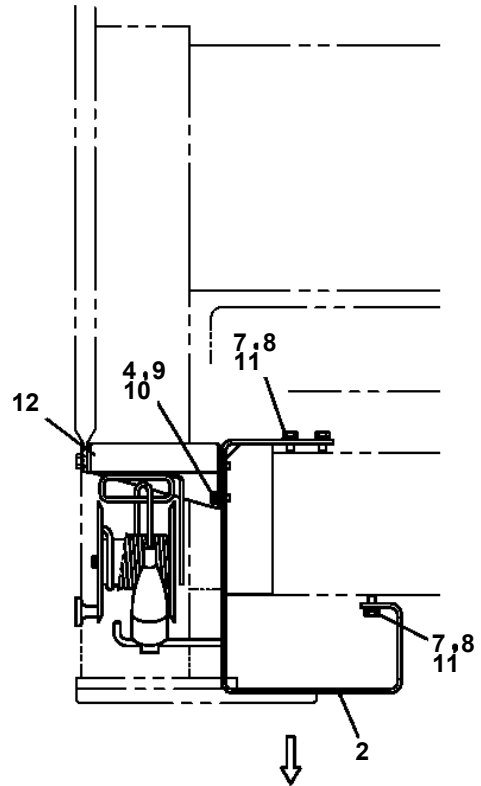
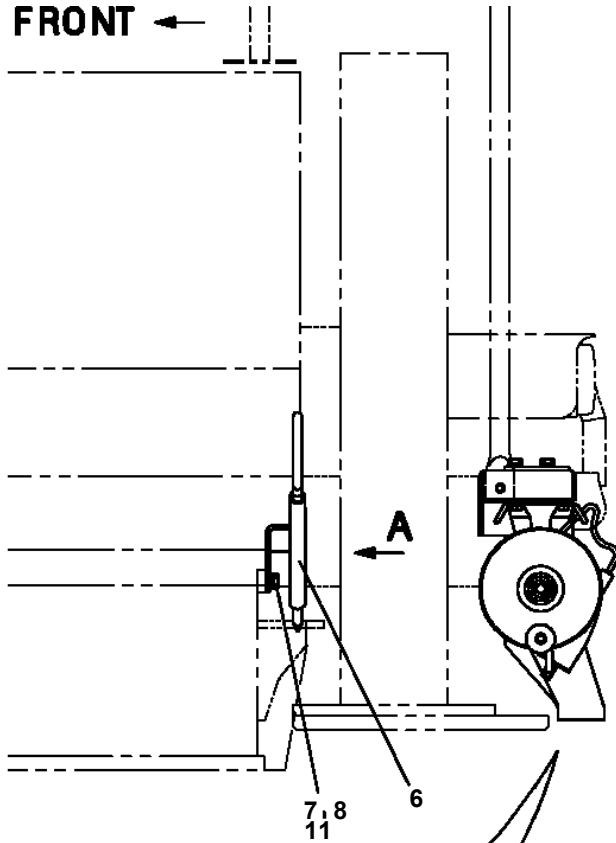


**AT-146-3 43011100063 UPPER
PY1590012-00 HOSE,BOOSTER (WITH AIR BALLOON,5M)**



**AT-146-3 43011100063 UPPER
PY1650115-04 EARTHING DEVICE**

FRONT ←

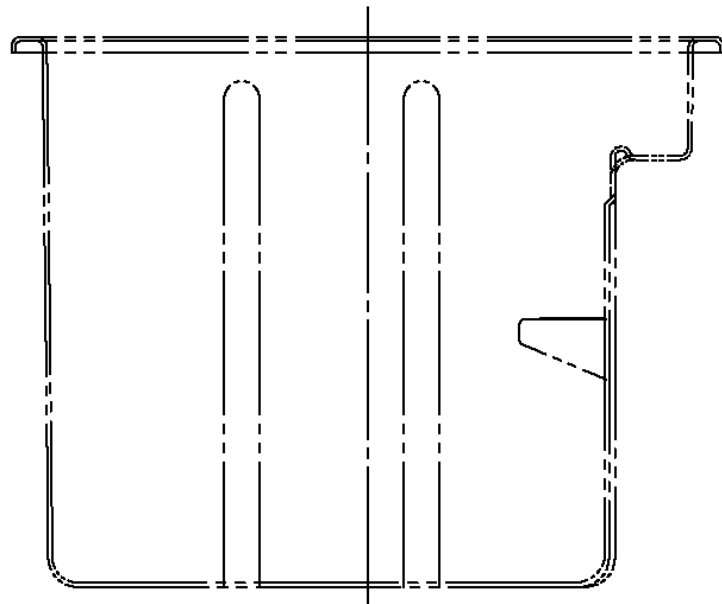
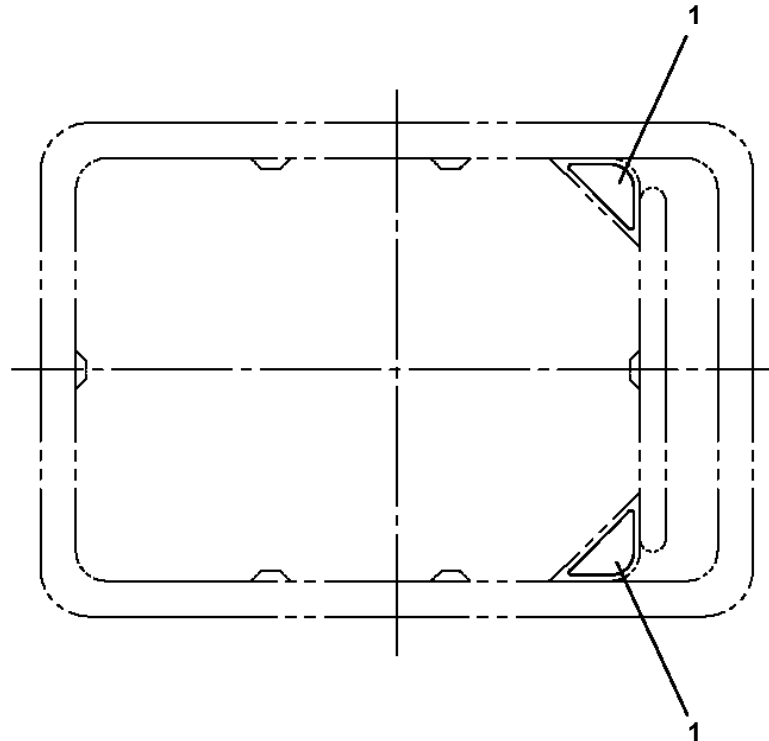


FRONT

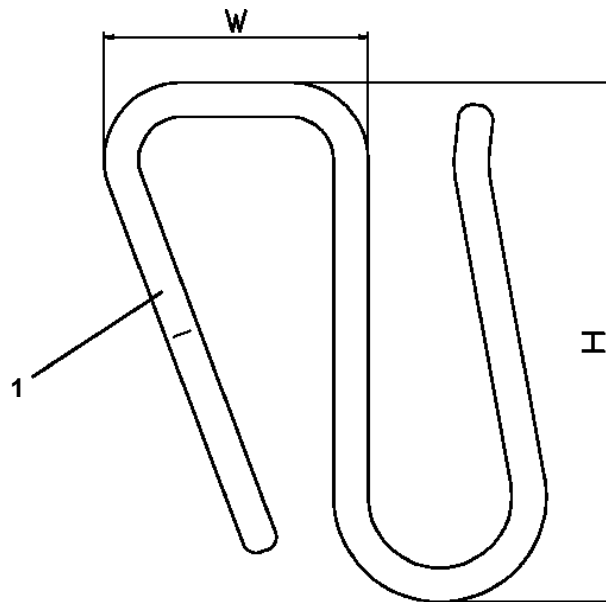
B

A

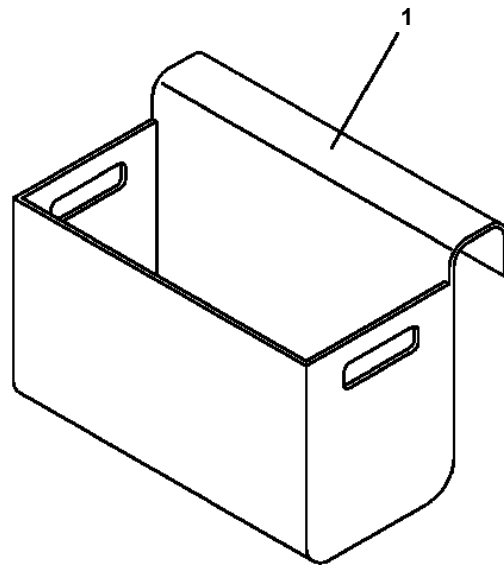
**AT-146-3 43011100063 UPPER
PY1760004-00 STEP, BUCKET (NON SLIP)**



**AT-146-3 43011100063 UPPER
PY1790005-01 HANGER (FOR BUCKET,FRP)**



**AT-146-3 43011100063 UPPER
PY2120005-00 BOX,TOOL (FOR BUCKET,FRP)**



CLICK HERE TO **DOWNLOAD** THE COMPLETE MANUAL

- Thank you very much for reading the preview of the manual.
- You can download the complete manual from: www.heydownloads.com by clicking the link below



- Please note: If there is no response to CLICKING the link, please download this PDF first and then click on it.

CLICK HERE TO **DOWNLOAD** THE COMPLETE MANUAL