

**AT-146-3 43011135500 LOWER,HINO SKG-XZU600F-TKFSC6**

PO1000171-00 INDICATION PLATES

PX2001353-00 CARRIER UNIT

PX3000761-00 MOUNTING UNIT

ASSEMBLY

CLICK HERE TO **DOWNLOAD** THE COMPLETE MANUAL

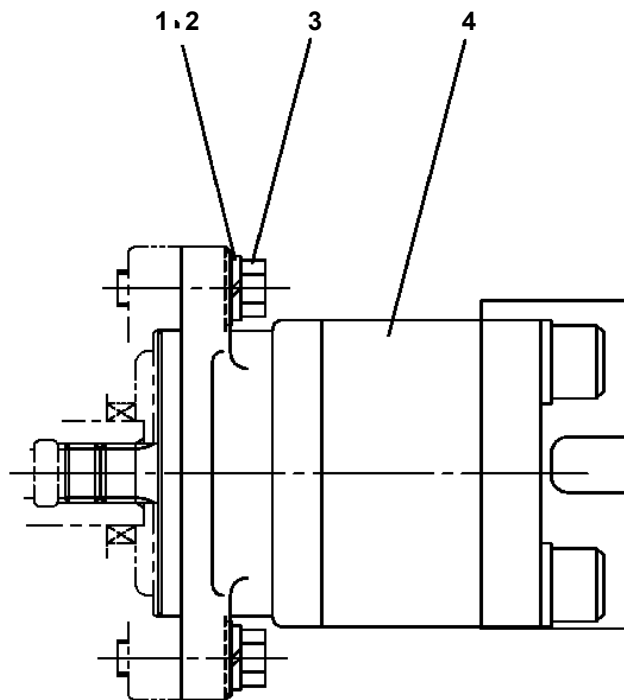
- Thank you very much for reading the preview of the manual.
- You can download the complete manual from: [www.heydownloads.com](http://www.heydownloads.com) by clicking the link below



- Please note: If there is no response to CLICKING the link, please download this PDF first and then click on it.

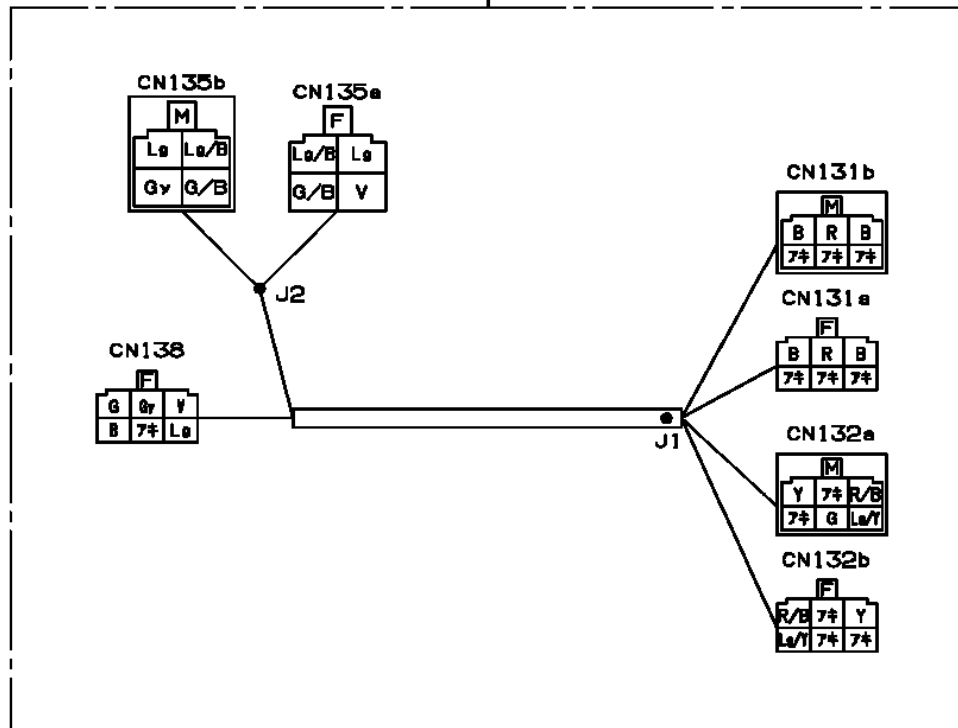
CLICK HERE TO **DOWNLOAD** THE COMPLETE MANUAL

**AT-146-3 43011135500 LOWER,HINO SKG-XZU600F-TKFSC6  
PB1110007-01 PUMP INSTALLATION**



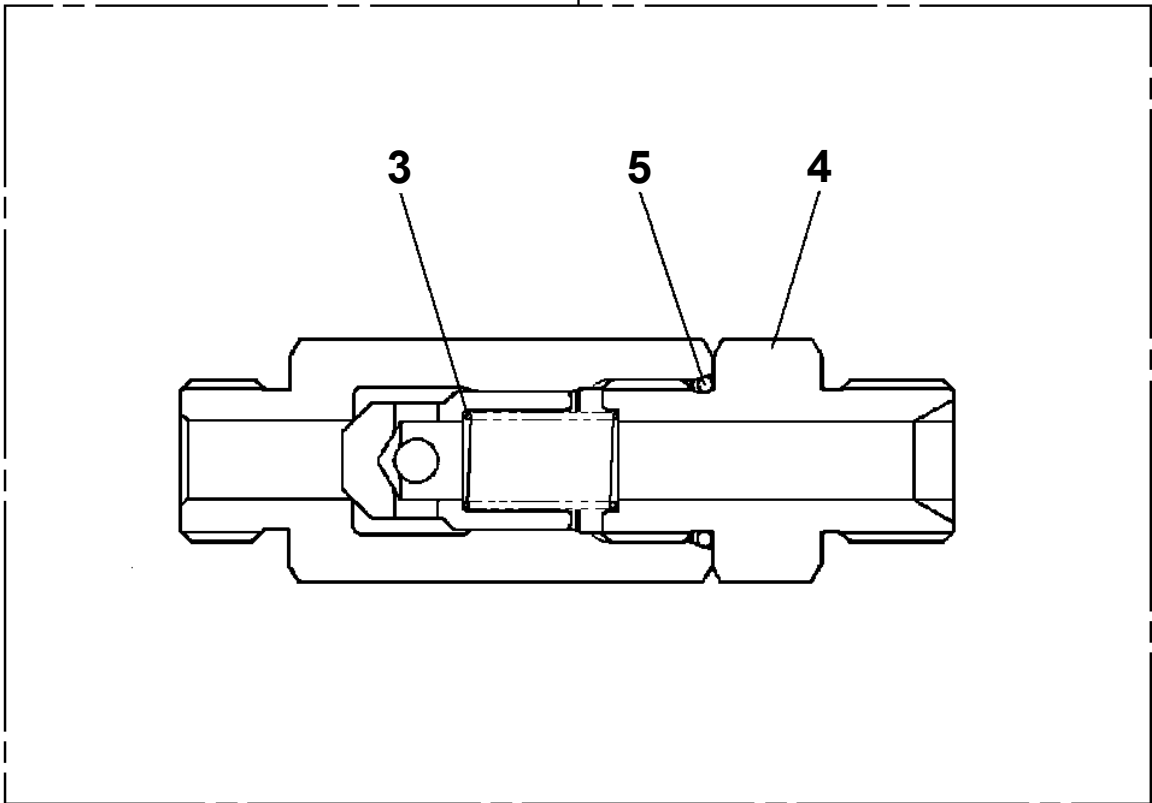
AT-146-3 43011135500 LOWER,HINO SKG-XZU600F-TKFSC6  
 PH5031090-00 HARNESS

100

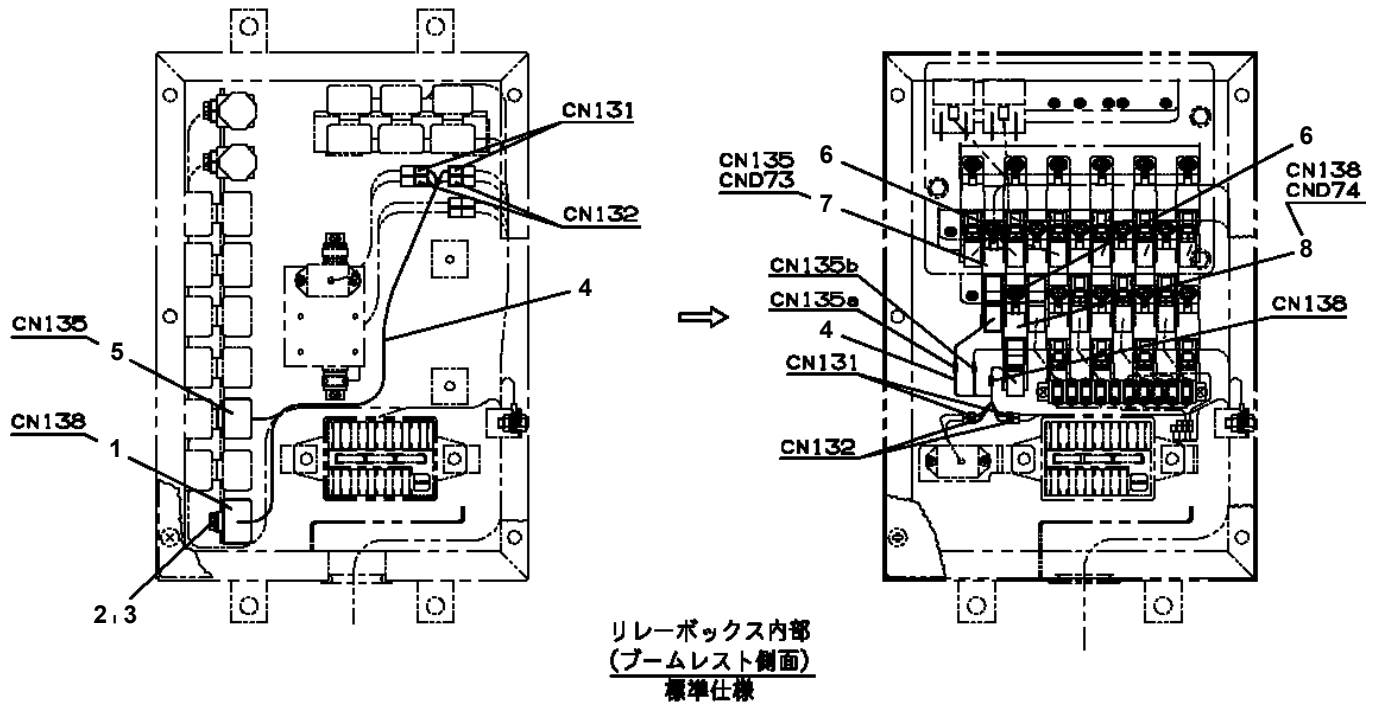
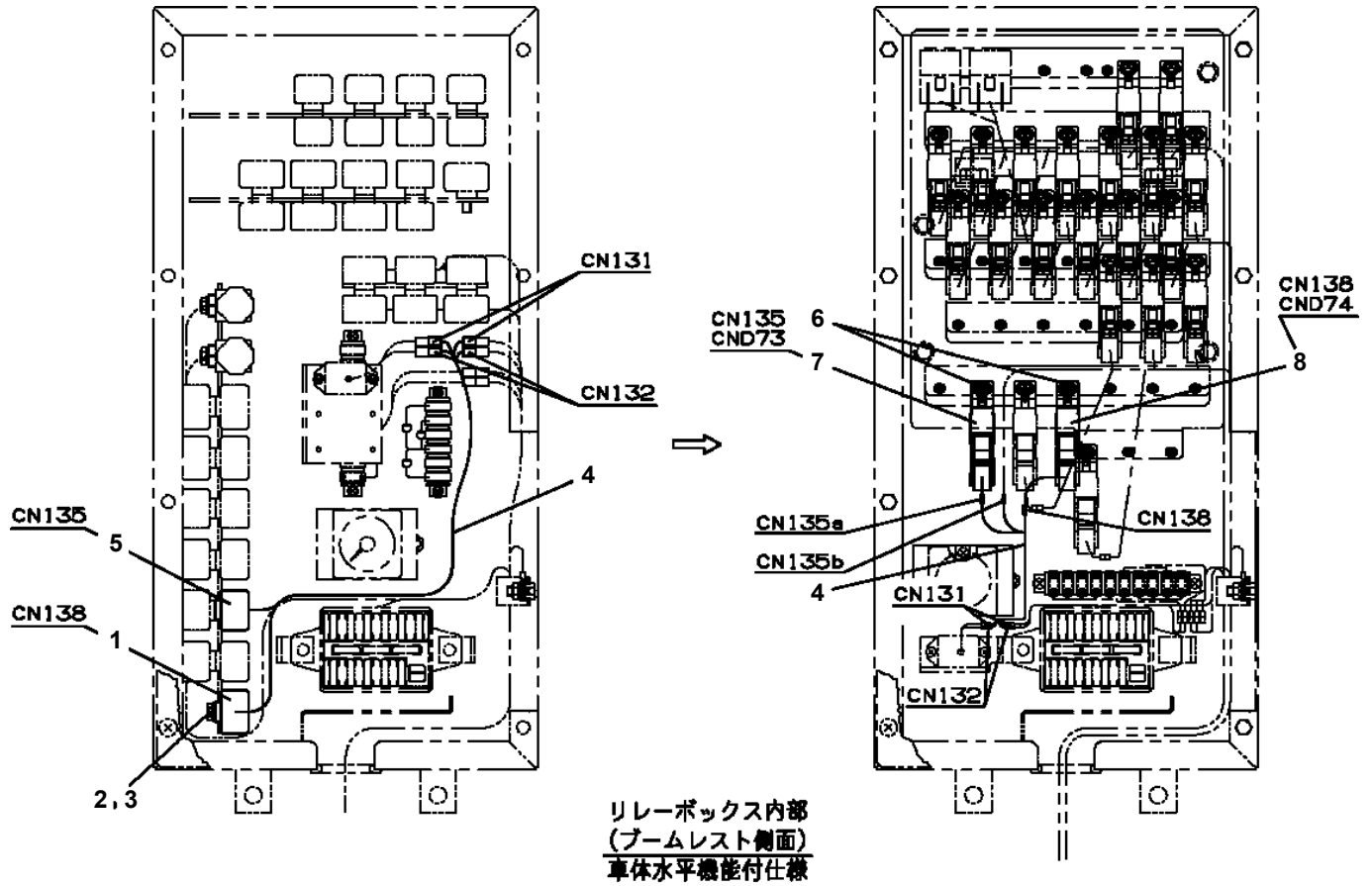


**AT-146-3 43011135500 LOWER,HINO SKG-XZU600F-TKFSC6  
PI1140188-00 VALVE,CHECK**

**50**

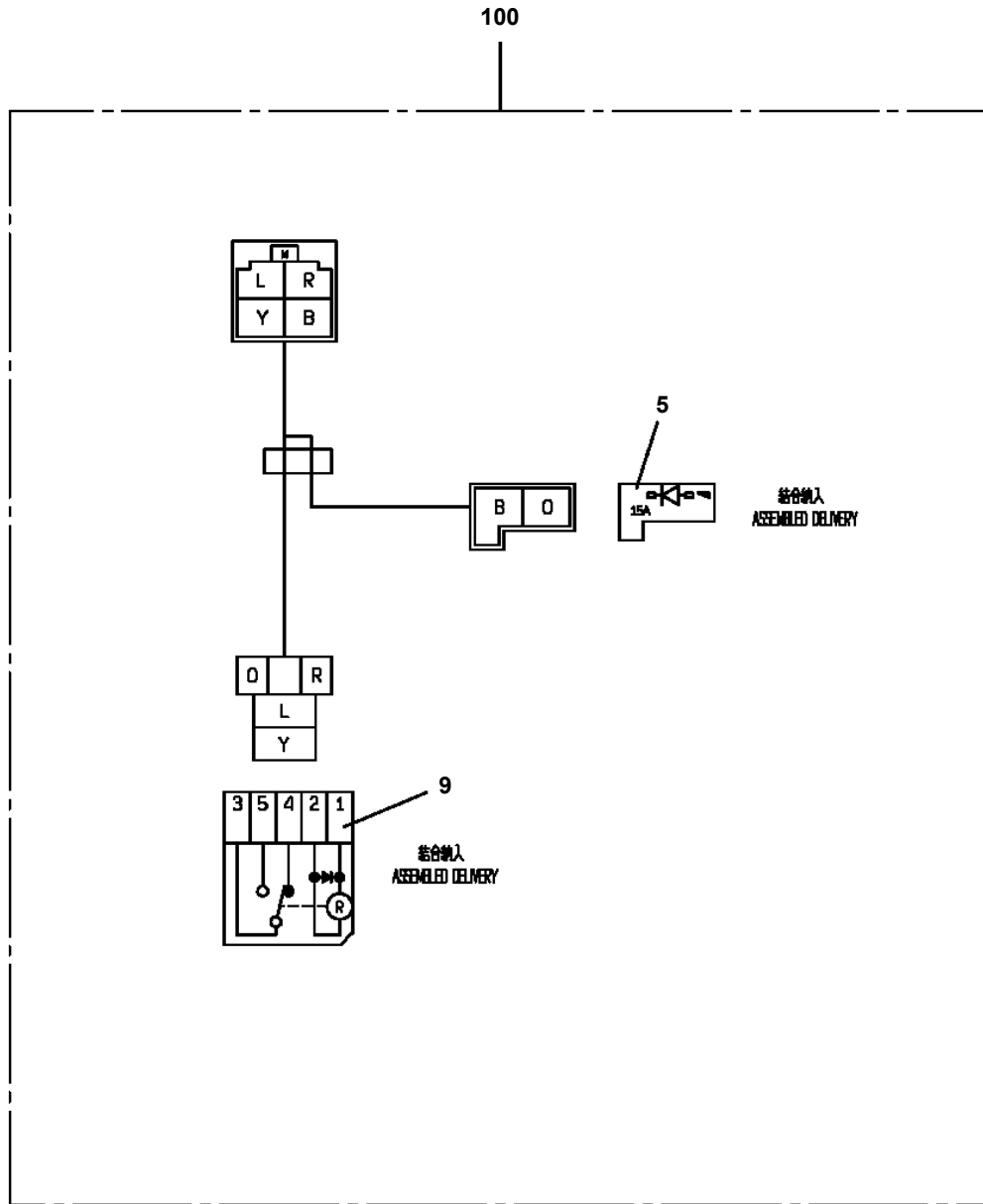


AT-146-3 43011135500 LOWER,HINO SKG-XZU600F-TKFSC6  
 PN1014646-01 ELEC.ASSY (ISUZU,TOYOTA,HINO/ KEY SW INTERLOCK RELAY)



いすゞ  
 ↓  
 いすゞ・トヨタ・日野

AT-146-3 43011135500 LOWER,HINO SKG-XZU600F-TKFSC6  
PR5210001-00 RELAY (WITH HARNESS)



**AT-146-3 43011135500 LOWER,HINO SKG-XZU600F-TKFSC6**

Pos No.	Parts No	Parts Name	Qty	Unit	Technical Data	Serial No (Start)	Serial No (End)	Remarks	Pages
1	42897740100	SUPPORT	1						
2	90171112030	BOLT	4		M12X30				
3	90201781200	NUT	4		M12				
4	90302041201	WASHER,SPRING	4		12				
5	42895820100	CARRIER	1						
6	90101208016	BOLT	4		M8X16				
7	90302040801	WASHER,SPRING	4		8				
8	42760831200	ROD	1				228605		
	42760831201	ROD	1			228606			
9	80720106032	PIN,SPRING	1		6X32		228605		
10	42780030170	PLATE	1						
11	42897740300	HANDLE	1						

CLICK HERE TO **DOWNLOAD** THE COMPLETE MANUAL

- Thank you very much for reading the preview of the manual.
- You can download the complete manual from: [www.heydownloads.com](http://www.heydownloads.com) by clicking the link below



- Please note: If there is no response to CLICKING the link, please download this PDF first and then click on it.

CLICK HERE TO **DOWNLOAD** THE COMPLETE MANUAL