

**AT-146-2 42095231400 LOWER,HINO PB-XZU354E-TKMSW6**

PO1000127-01 INDICATION PLATES

PX2000371-01 CARRIER UNIT

ASSEMBLY

CLICK HERE TO **DOWNLOAD** THE COMPLETE MANUAL

- Thank you very much for reading the preview of the manual.
- You can download the complete manual from: [www.heydownloads.com](http://www.heydownloads.com) by clicking the link below



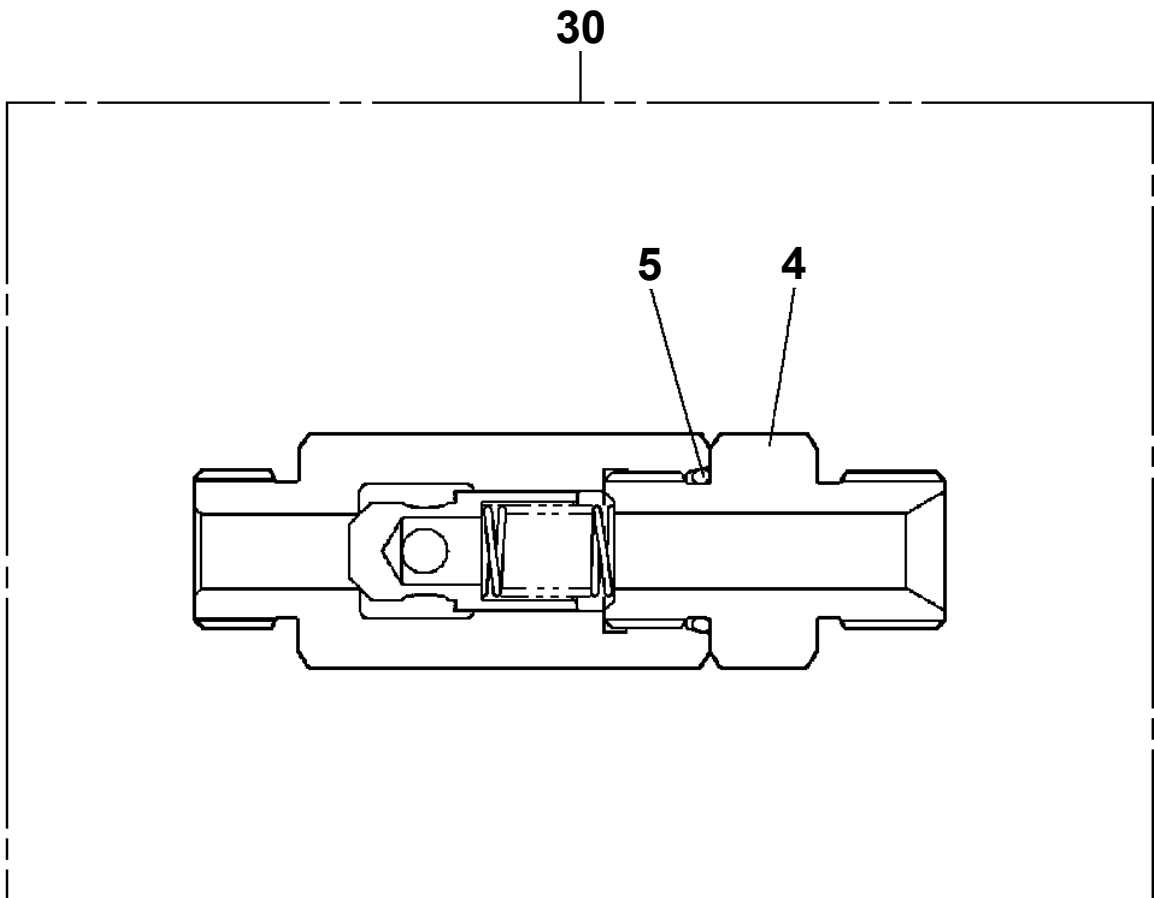
- Please note: If there is no response to CLICKING the link, please download this PDF first and then click on it.

CLICK HERE TO **DOWNLOAD** THE COMPLETE MANUAL

# AT-146-2 42095231400 LOWER,HINO PB-XZU354E-TKMSW6

Pos No.	Parts No	Parts Name	Qty	Unit	Technical Data	Serial No (Start)	Serial No (End)	Remarks	Pages
1	44340011200	JOINT	1		PF1				
2	91002802900	O-RING	1		1B P29				
3	36625520000	VALVE,CHECK	1						000012
	36625510000	VALVE,CHECK	1						000011
4	91002801800	O-RING	1		1B P18				
5	37002502090	HOSE	1		L=600				
6	91803600400	CLIP	4		D=27-40				
7	37002482350	HOSE	1		L=1150				
8	82100002018	CLAMP	2		WR35				
9	82100002016	CLAMP	1		WR25				
10	90186208020	BOLT,FLANGE	2		M8X20				
11	90280200800	NUT,FLANGE	1		M8				

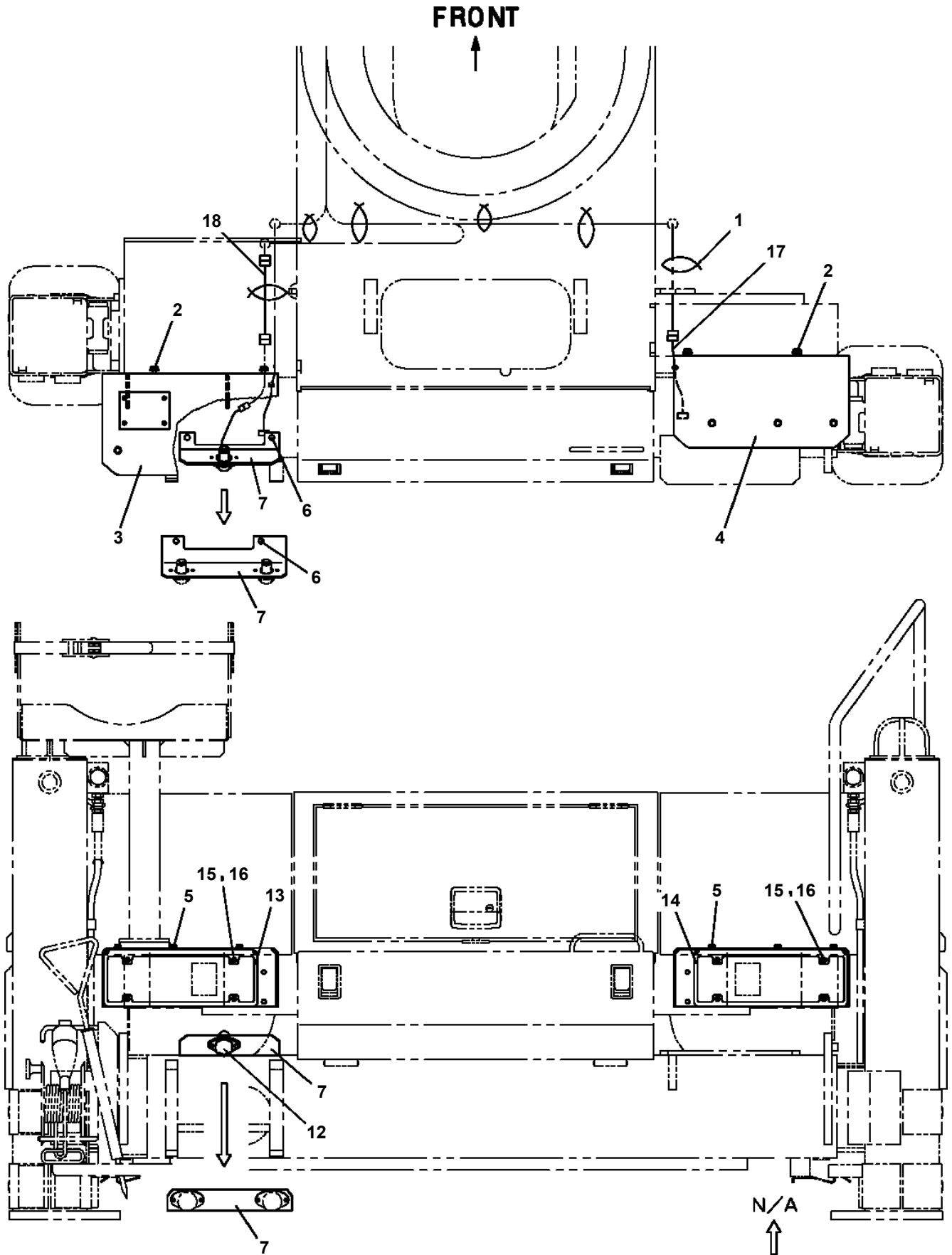
**AT-146-2 42095231400 LOWER,HINO PB-XZU354E-TKMSW6  
PI1140189-00 VALVE,CHECK**



# AT-146-2 42095231400 LOWER,HINO PB-XZU354E-TKMSW6

Pos No.	Parts No	Parts Name	Qty	Unit	Technical Data	Serial No (Start)	Serial No (End)	Remarks	Pages
1	42944052010	PLATE,CAUTION	1						

**AT-146-2 42095231400 LOWER, HINO PB-XZU354E-TKMSW6  
PX1310220-01 MOUNT, LAMP (TAIL)**



IF THE CABLE LENGTH IS NOT ENOUGH, USE 8, 9, 10, 11

CLICK HERE TO **DOWNLOAD** THE COMPLETE MANUAL

- Thank you very much for reading the preview of the manual.
- You can download the complete manual from: [www.heydownloads.com](http://www.heydownloads.com) by clicking the link below



- Please note: If there is no response to CLICKING the link, please download this PDF first and then click on it.

CLICK HERE TO **DOWNLOAD** THE COMPLETE MANUAL