

**AT-146-1 42095160100 LOWER,TOYOTA KK-ZXU350H-TKMSS6**

PO1000127-01 INDICATION PLATES

PW1000109-01 ACCESSORIES & TOOLS

PX2000162-00 CARRIER UNIT

PX3000140-00 MOUNTING UNIT

PY1000678-00 OPTIONS,1

PY2000039-00 OPTIONS,2

ASSEMBLY

CLICK HERE TO **DOWNLOAD** THE COMPLETE MANUAL

- Thank you very much for reading the preview of the manual.
- You can download the complete manual from: [www.heydownloads.com](http://www.heydownloads.com) by clicking the link below



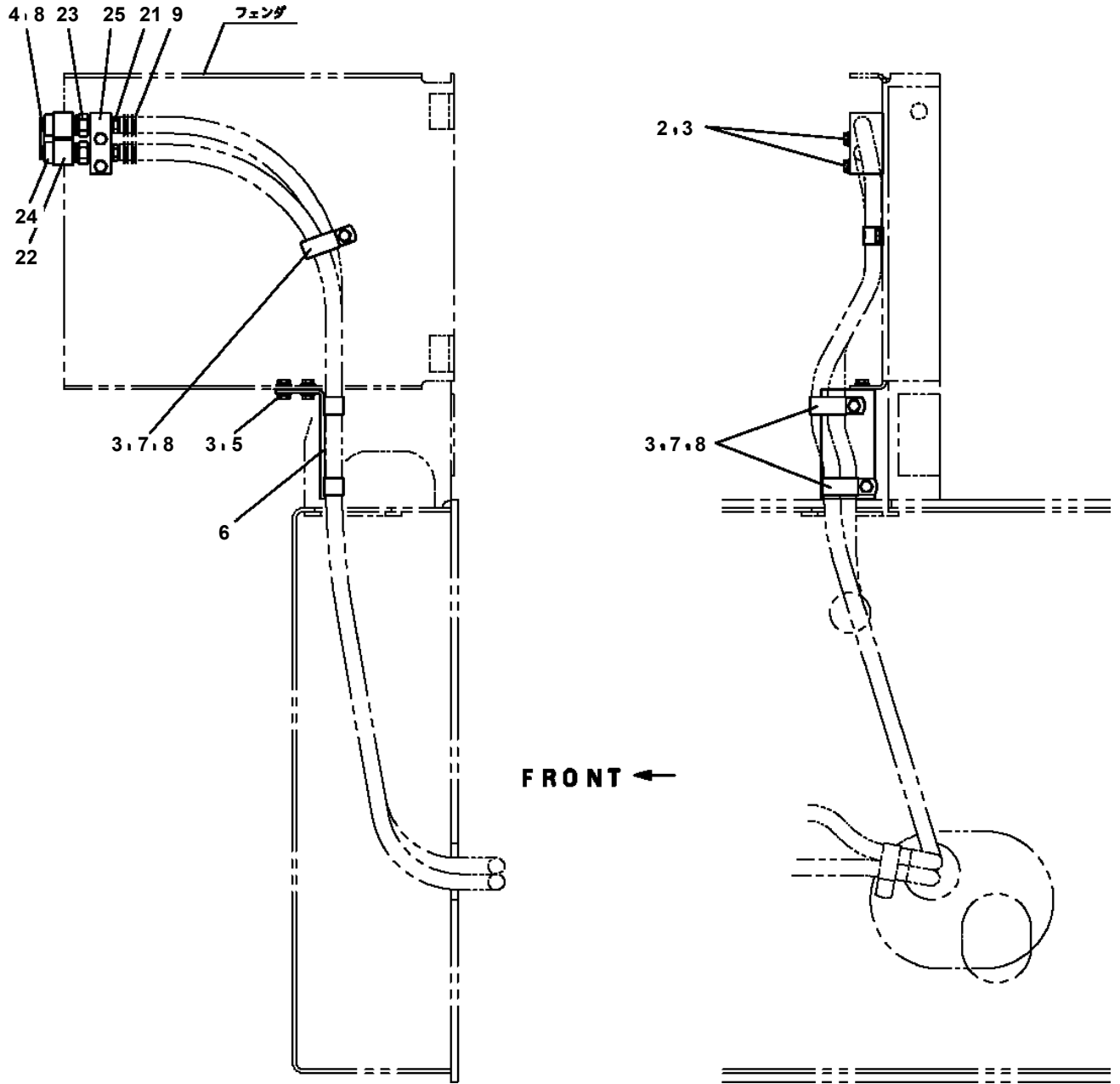
- Please note: If there is no response to CLICKING the link, please download this PDF first and then click on it.

CLICK HERE TO **DOWNLOAD** THE COMPLETE MANUAL

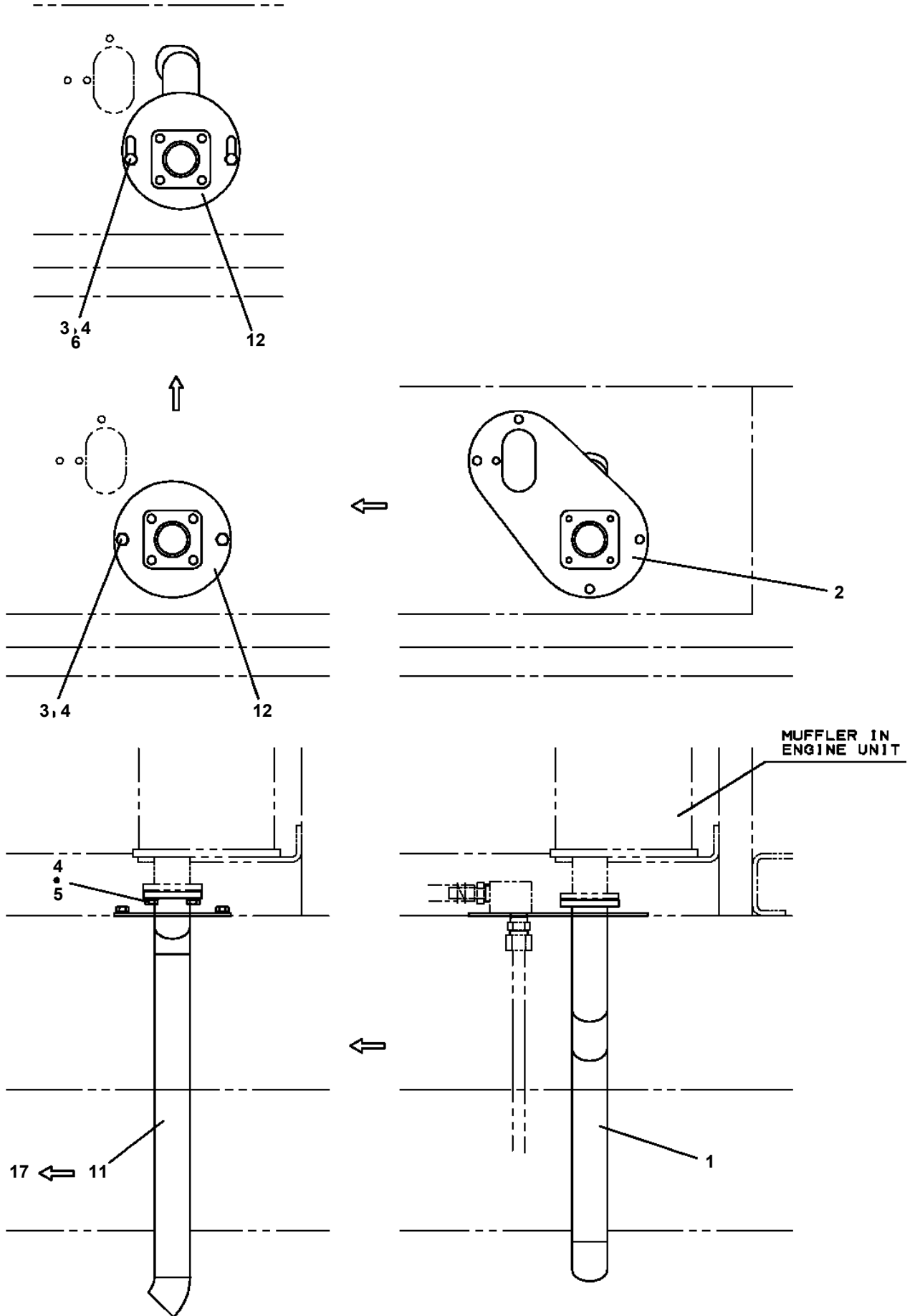
# AT-146-1 42095160100 LOWER,TOYOTA KK-ZXU350H-TKMSS6

Pos No.	Parts No	Parts Name	Qty	Unit	Technical Data	Serial No (Start)	Serial No (End)	Re
1	(*****)	PIPING,OUTLET (LOWER)	1					
2	(*****)	BOX,TOOL (FOR KANDENKO,CAB)	1					

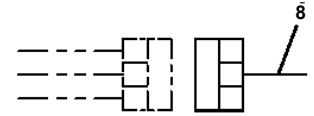
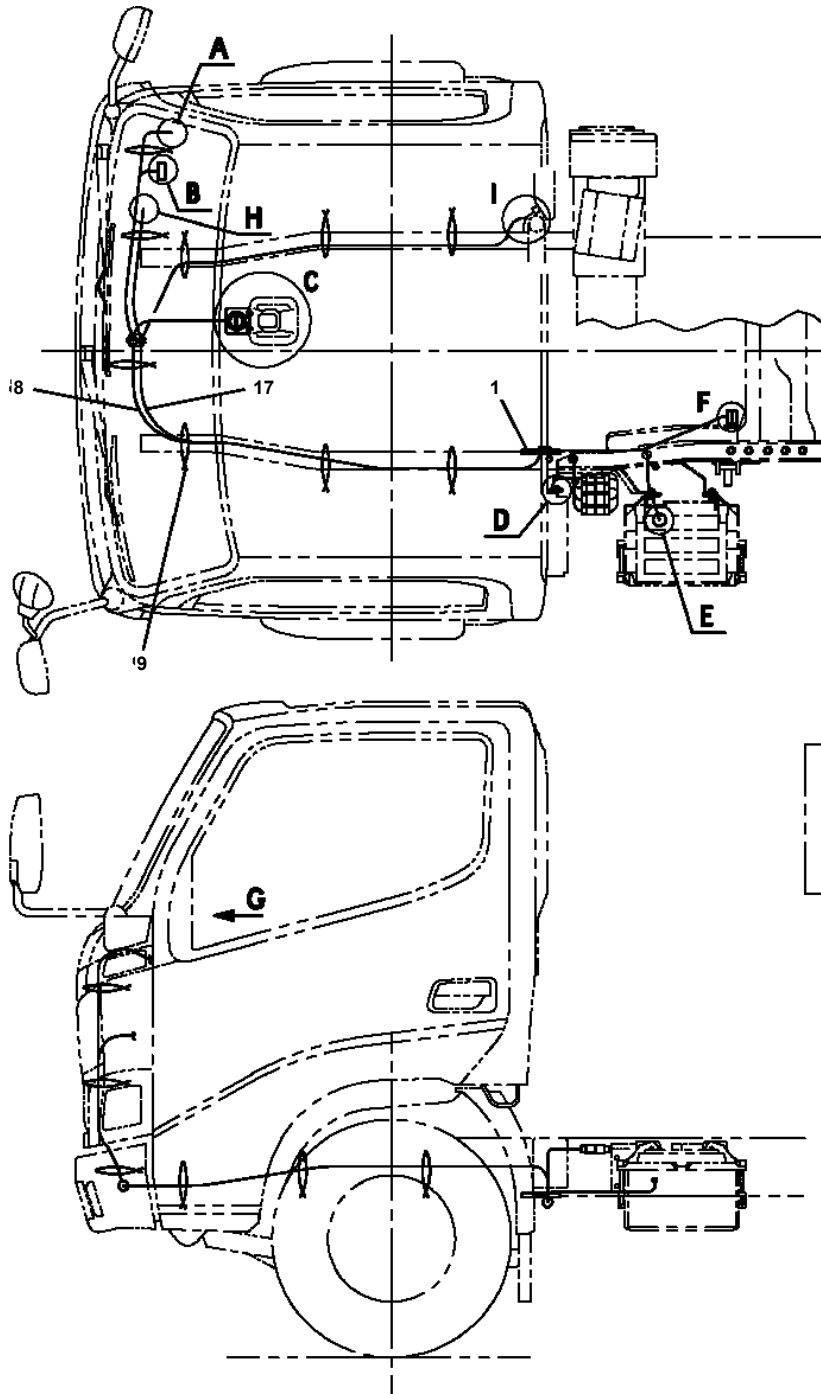
**AT-146-1 42095160100 LOWER, TOYOTA KK-ZXU350H-TKMSS6  
PB1380118-00 POWER SUPPLY (ENGINE/PIPING DRAIN)**



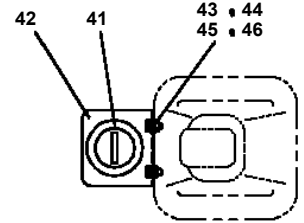
**AT-146-1 42095160100 LOWER, TOYOTA KK-ZXU350H-TKMSS6  
PB1380125-01 POWER SUPPLY (EXHAUST)**



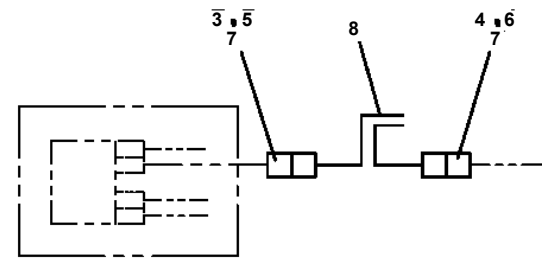
AT-146-1 42095160100 LOWER, TOYOTA KK-ZXU350H-TKMSS6  
 PN1012685-00 ELEC.ASSY (CARRIER)



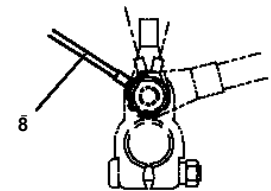
**B**  
 P.T.O. 操作線出  
 ニュートラル線出  
 Pブレーキ線出



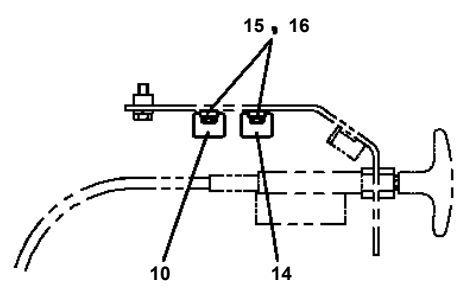
**C**



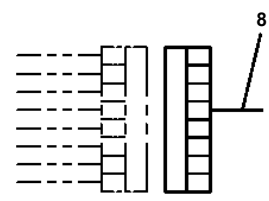
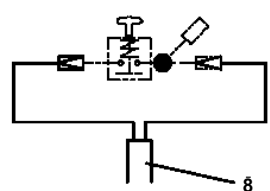
**D**  
 E/Gスタート線通



**E**  
 電源取出し



**A**  
 P.T.O. スイッチ  
 ニュートラル番号反転リレー  
 P.T.O. 操作番号反転リレー



**F**  
 E/Gストップ  
 E/G回転線出

# AT-146-1 42095160100 LOWER,TOYOTA KK-ZXU350H-TKMSS6

Pos No.	Parts No	Parts Name	Qty	Unit	Technical Data	Serial No (Start)	Serial No (End)	Remarks	Pages
1	42944052010	PLATE,CAUTION	1						

CLICK HERE TO **DOWNLOAD** THE COMPLETE MANUAL

- Thank you very much for reading the preview of the manual.
- You can download the complete manual from: [www.heydownloads.com](http://www.heydownloads.com) by clicking the link below



- Please note: If there is no response to CLICKING the link, please download this PDF first and then click on it.

CLICK HERE TO **DOWNLOAD** THE COMPLETE MANUAL

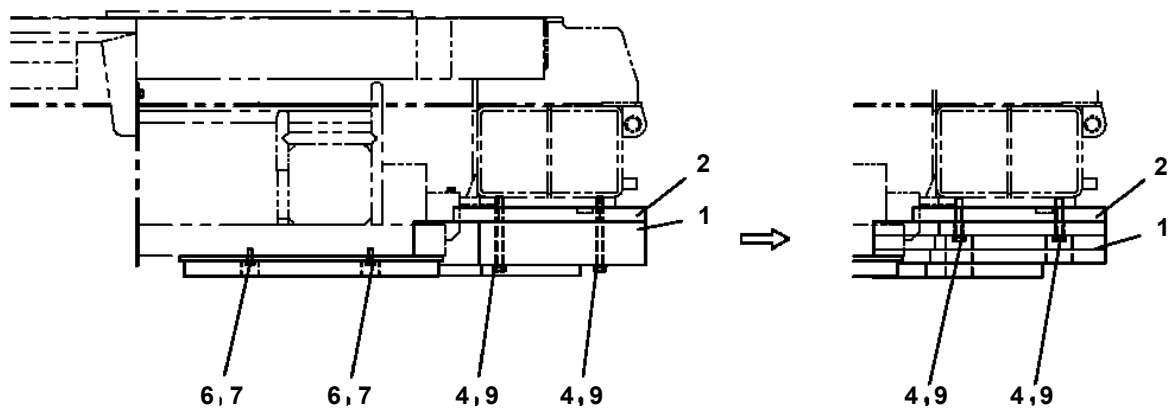
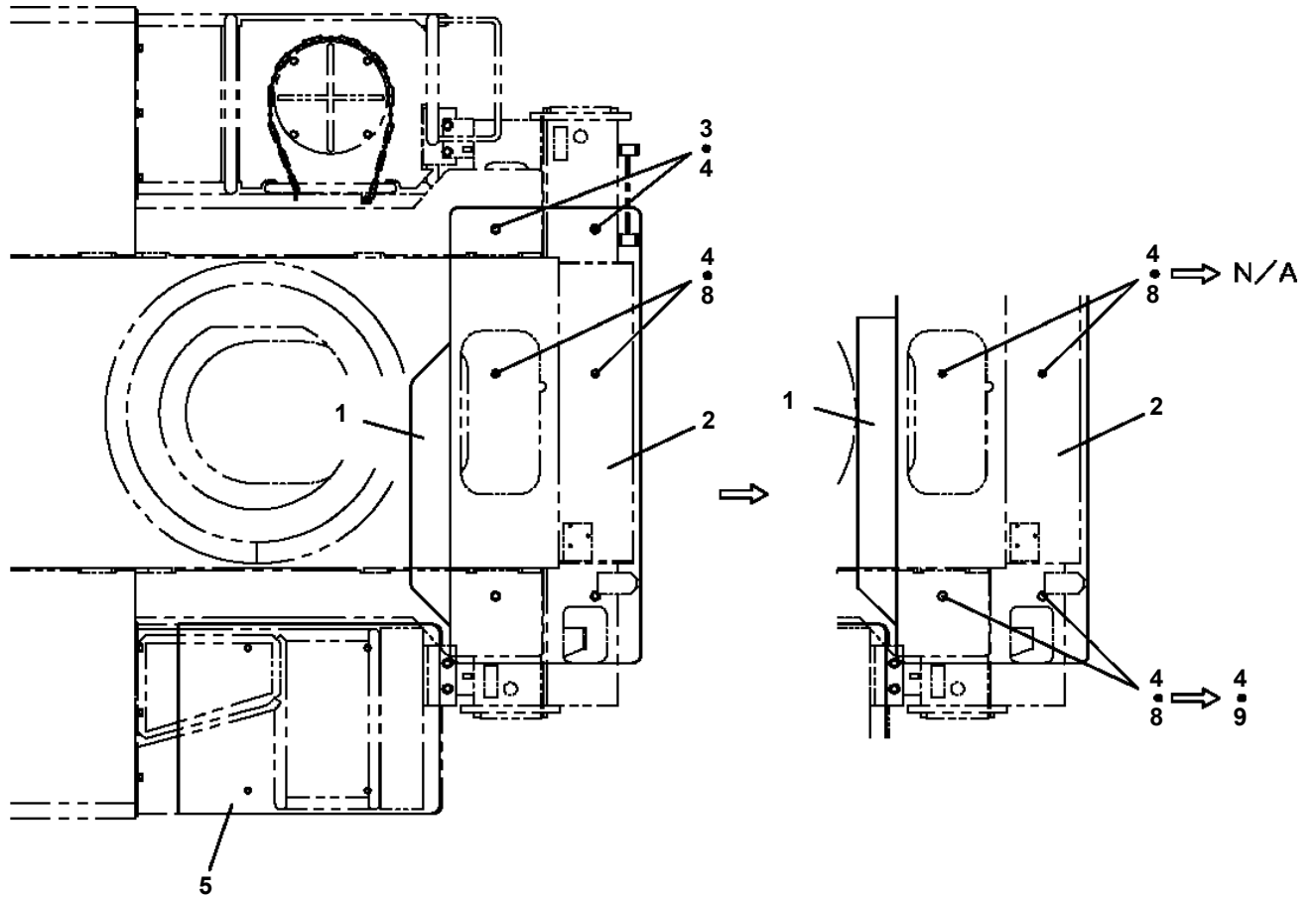
**AT-146-1 42095160100 LOWER,TOYOTA KK-ZXU350H-TKMSS6**

Pos No.	Parts No	Parts Name	Qty	Unit	Technical Data	Serial No (Start)	Serial No (End)	Rem
1	42460015010	BAG,TOOL	1					
2	91991510003	HEXAGON BARWRENCH (G3)	1					
3	91991510004	HEXAGON BARWRENCH (G4)	1					
4	91991510005	HEXAGON BARWRENCH (G5)	1					
5	91991510006	HEXAGON BARWRENCH (G6)	1					
6	91991510008	HEXAGON BARWRENCH (G8)	1					
7	91991510010	HEXAGON BARWRENCH (G10)	1					
8	91991310024	SPANNER	1		24			
50	42473401000	TOOLS	1					

# AT-146-1 42095160100 LOWER,TOYOTA KK-ZXU350H-TKMSS6

Pos No.	Parts No	Parts Name	Qty	Unit	Technical Data	Serial No (Start)	Serial No (End)	Remarks	Pages
1	42873691000	SUPPORT ASSY	1						
2	42872001100	CUSHION	1						
3	80182308020	SCREW,MACHINE	4		M8X20		227269		
	80182308030	SCREW,MACHINE	4		M8X30	227270			
4	90171114030	BOLT	4		M14X30		227320		
	90171114035	BOLT	4		M14X35	227321			
5	90302041401	WASHER,SPRING	4		14				
6	90302040801	WASHER,SPRING	4		8				
7	32200353500	SHIM	2		T=1.2		227320		
8	42873830200	PLATE	1				227269		
	42873830200	PLATE	2			227270			

AT-146-1 42095160100 LOWER, TOYOTA KK-ZXU350H-TKMSS6  
PX1290347-01 WEIGHT



# AT-146-1 42095160100 LOWER,TOYOTA KK-ZXU350H-TKMSS6

Pos No.	Parts No	Parts Name	Qty	Unit	Technical Data	Serial No (Start)	Serial No (End)	Remarks	Pages
1	42833430800	BOX,TOOL	1						000043
2	90302041001	WASHER,SPRING	4		10				
3	90201201000	NUT	4		M10				
4	37000560120	PLATE	6		T=3.2				
5	90190110030	BOLT	4		M10X30				
6	37000559500	PLATE	2						

# AT-146-1 42095160100 LOWER,TOYOTA KK-ZXU350H-TKMSS6

Pos No.	Parts No	Parts Name	Qty	Unit	Technical Data	Serial No (Start)	Serial No (End)	Remarks	Pages
1	82400000510	REFLECTOR	2						

# AT-146-1 42095160100 LOWER,TOYOTA KK-ZXU350H-TKMSS6

Pos No.	Parts No	Parts Name	Qty	Unit	Technical Data	Serial No (Start)	Serial No (End)
1	42470330000	ROPE (SAFETY,YELLOW:TD-TYPE)	1				

CLICK HERE TO **DOWNLOAD** THE COMPLETE MANUAL

- Thank you very much for reading the preview of the manual.
- You can download the complete manual from: [www.heydownloads.com](http://www.heydownloads.com) by clicking the link below



- Please note: If there is no response to CLICKING the link, please download this PDF first and then click on it.

CLICK HERE TO **DOWNLOAD** THE COMPLETE MANUAL