

**AT-130-1 42059111000 LOWER,NISSAN DIESEL KK-BKR71E3N 5JXH YT**

PB3000177-00 POWER UNIT  
PO1000171-00 INDICATION PLATES  
PX2000791-00 CARRIER UNIT  
PX3000469-00 MOUNTING UNIT  
PY1001448-02 OPTIONS  
ASSEMBLY

CLICK HERE TO **DOWNLOAD** THE COMPLETE MANUAL

- Thank you very much for reading the preview of the manual.
- You can download the complete manual from: [www.heydownloads.com](http://www.heydownloads.com) by clicking the link below



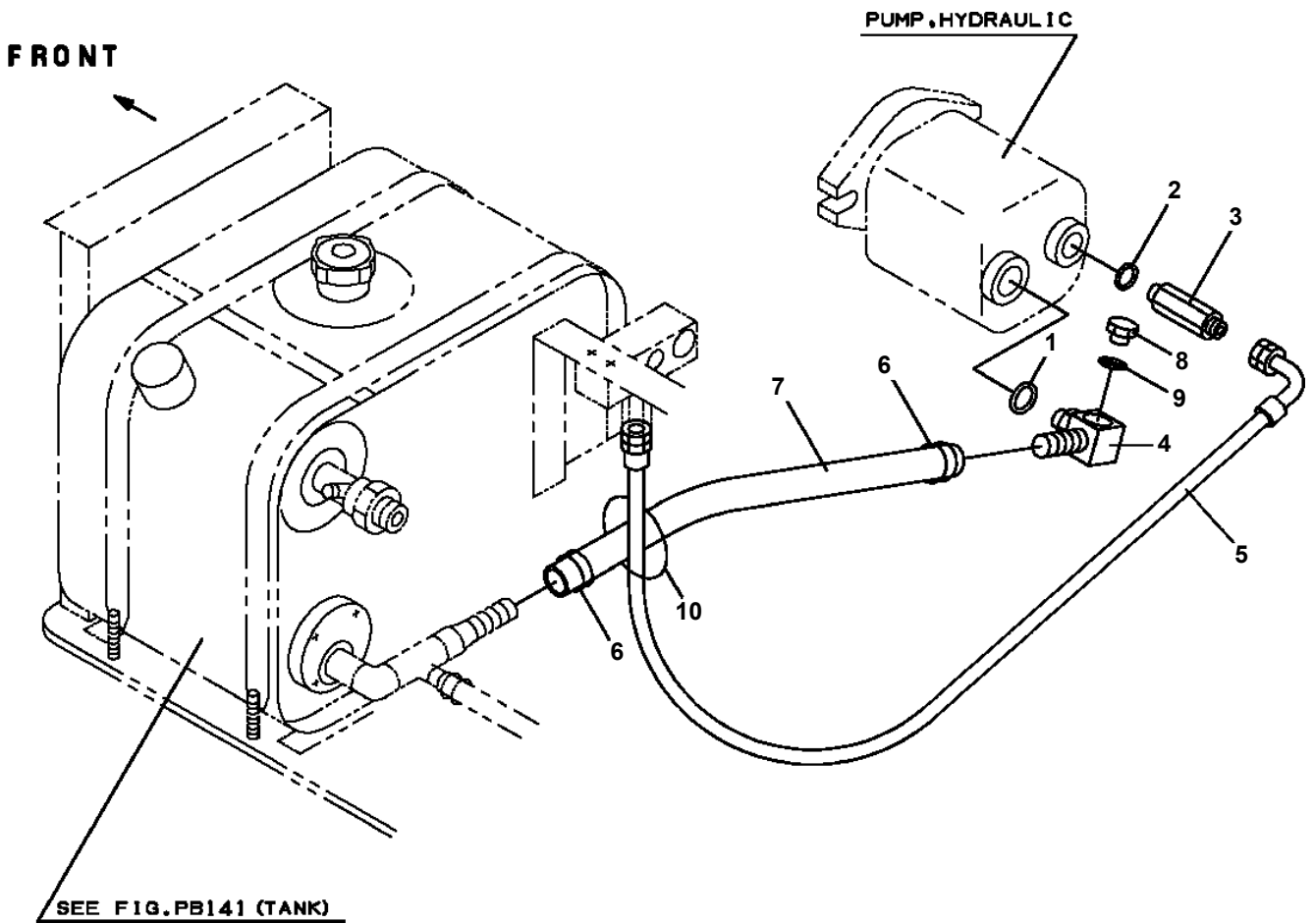
- Please note: If there is no response to CLICKING the link, please download this PDF first and then click on it.

CLICK HERE TO **DOWNLOAD** THE COMPLETE MANUAL

# **AT-130-1 42059111000 LOWER,NISSAN DIESEL KK-BKR71E3N 5JXH YT**

PB1070244-01 PROPELLER SHAFT,PUMP  
PB1100099-00 PUMP,HYDRAULIC (LEFT,SPLINE 13)  
PB1100159-02 PUMP,HYDRAULIC  
PB1110011-00 PUMP INSTALLATION  
PB1110013-00 MOUNT,PUMP (EMERGENCY)  
PB1411043-01 PIPING,LOWER  
PH1760003-00 MIRROR  
PH5031703-00 HARNESS  
PH5031708-00 HARNESS  
PH5031756-00 HARNESS  
PH5032159-00 HARNESS  
PH5034137-00 HARNESS  
PK1230027-01 WEIGHT  
PL1030748-02 OPE.ASSY,ACCELERATOR  
PL1030811-00 OPE.ASSY,ACCELERATOR (MOTOR)  
PN1012761-01 ELEC.ASSY (CARRIER)  
PO1013103-03 PLATE ASSY.NAME (VEHICLE HEIGHT)  
PO1014181-02 PLATE ASSY,NAME (LOADING CAPACITY)  
PX1030425-00 FENDER  
PX1120374-00 BOOM REST INSTALLATION  
PX1170384-00 ATTACHMENT PARTS, CRANE FRAME  
PX1200402-00 GUARD,SIDE  
PX1210073-00 GUARD  
PX1210096-00 GUARD (150KG)  
PX1210130-00 GUARD (100KG,770X670X200,WITH HOOK)  
PX1260175-00 STEP  
PX1310101-00 MOUNT,LAMP (TAIL)  
PX1370197-00 CAB GUARD INSTALLATION  
PX1370220-00 GUARD,CAB (OPTION)  
PX1390456-01 PARTS,MODIFICATION  
PX1410243-01 MOUNT,TIRE  
PY1010053-00 OPTION UNIT,1

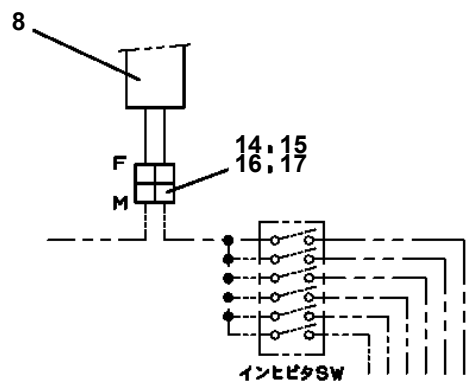
**AT-130-1 42059111000 LOWER,NISSAN DIESEL KK-BKR71E3N 5JXH YT  
PB1411043-01 PIPING,LOWER**



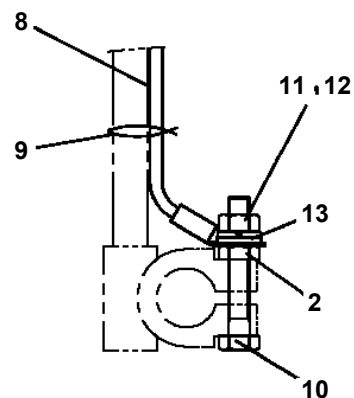
# AT-130-1 42059111000 LOWER,NISSAN DIESEL KK-BKR71E3N 5JXHYT

Pos No.	Parts No	Parts Name	Qty	Unit	Technical Data	Serial No (Start)	Serial No (End)	Remarks	Pages
100	42711650300	HARNESS	1						

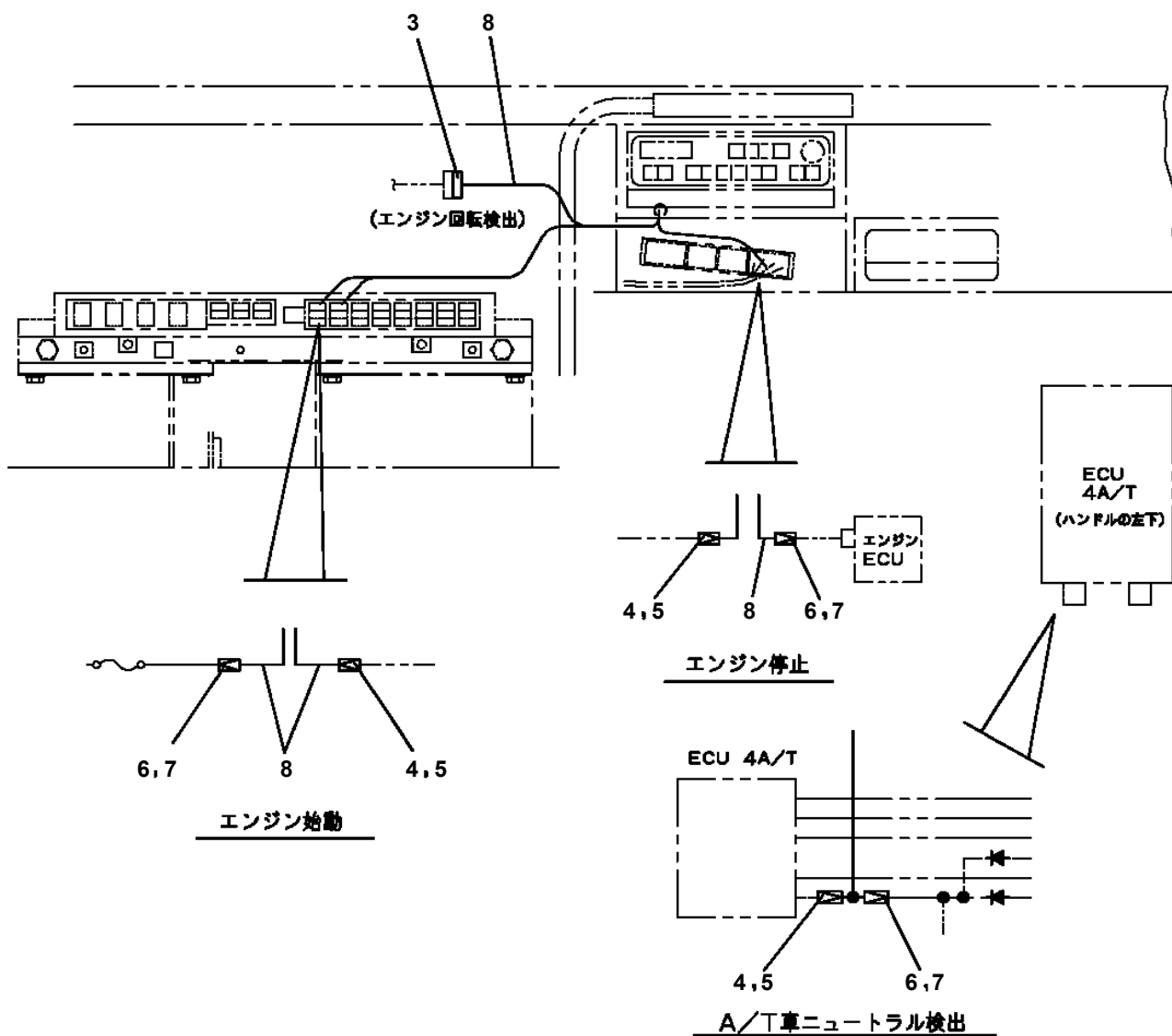
**AT-130-1 42059111000 LOWER,NISSAN DIESEL KK-BKR71E3N 5JXHYT  
PN1012761-01 ELEC.ASSY (CARRIER)**



**D (A/T車ニュートラル検出)**



**E (電源取り出し)**

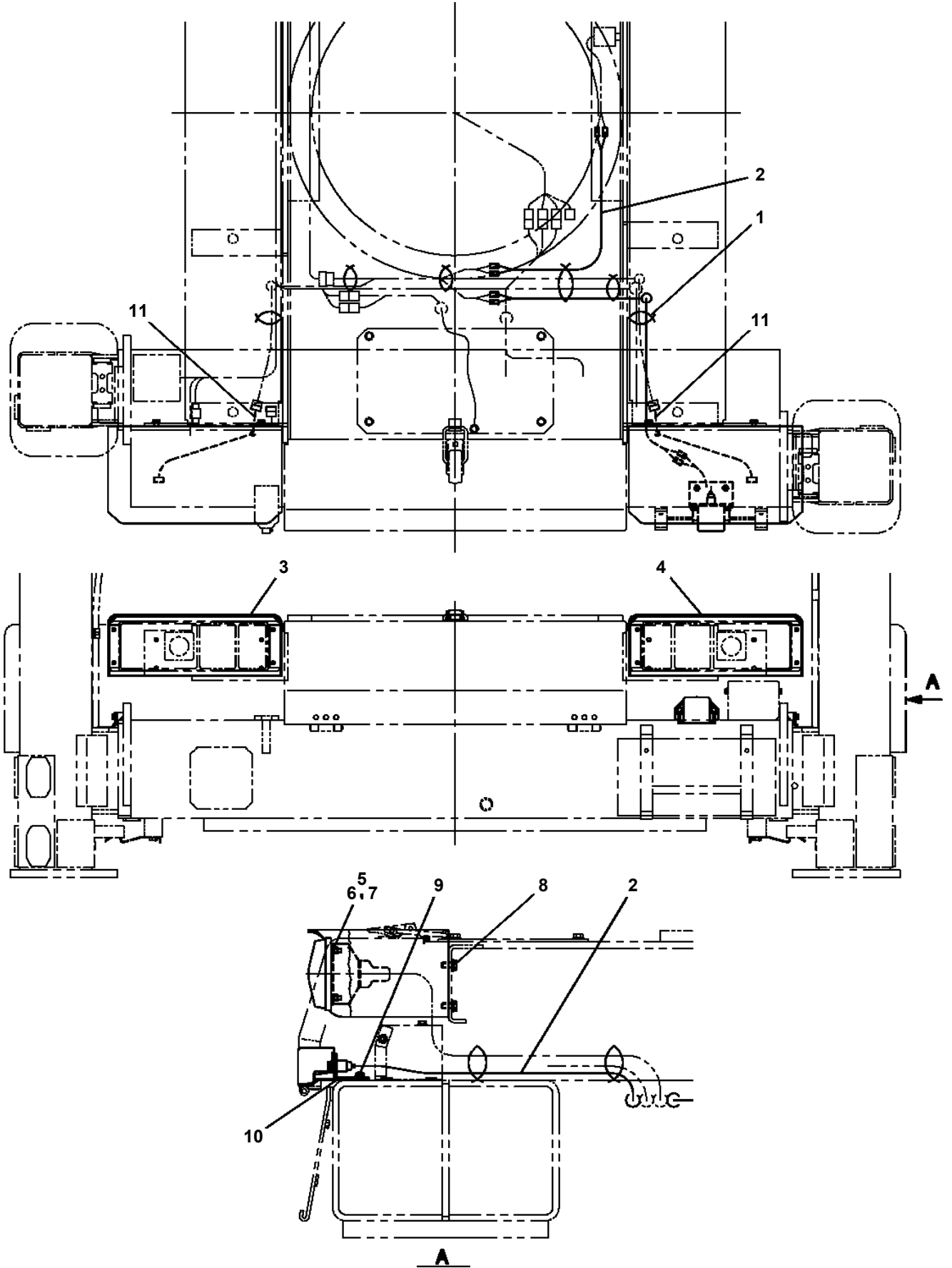


**F**

**AT-130-1 42059111000 LOWER,NISSAN DIESEL KK-BKR71E3N 5JXH YT**

Pos No.	Parts No	Parts Name	Qty	Unit	Technical Data	Serial No (Start)	Serial No (End)	Remarks	Pages
1	37000524530	PLATE	12						
2	42862360300	SUPPORT	2						
3	42862360400	SUPPORT	2						
4	42862420100	SPACER	2						
5	42862420200	SPACER	2						
6	42862360100	SUPPORT	1						
7	42862360200	SUPPORT	1						

AT-130-1 42059111000 LOWER,NISSAN DIESEL KK-BKR71E3N 5JXHYT  
PX1310101-00 MOUNT,LAMP (TAIL)



CLICK HERE TO **DOWNLOAD** THE COMPLETE MANUAL

- Thank you very much for reading the preview of the manual.
- You can download the complete manual from: [www.heydownloads.com](http://www.heydownloads.com) by clicking the link below



- Please note: If there is no response to CLICKING the link, please download this PDF first and then click on it.

CLICK HERE TO **DOWNLOAD** THE COMPLETE MANUAL