

AT-121-1 43007120100 LOWER,MITSUBISHI KK-FE73EB 6A148

PB3000084-00 POWER UNIT
PO1000171-00 INDICATION PLATES
PX2000068-00 CARRIER UNIT
PX3000079-02 MOUNTING UNIT
PY2000133-00 OPTIONS,2
ASSEMBLY

CLICK HERE TO **DOWNLOAD** THE COMPLETE MANUAL

- Thank you very much for reading the preview of the manual.
- You can download the complete manual from: www.heydownloads.com by clicking the link below



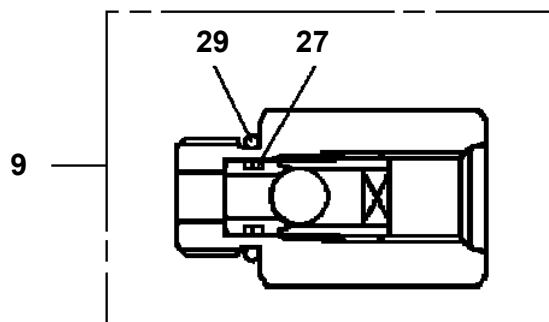
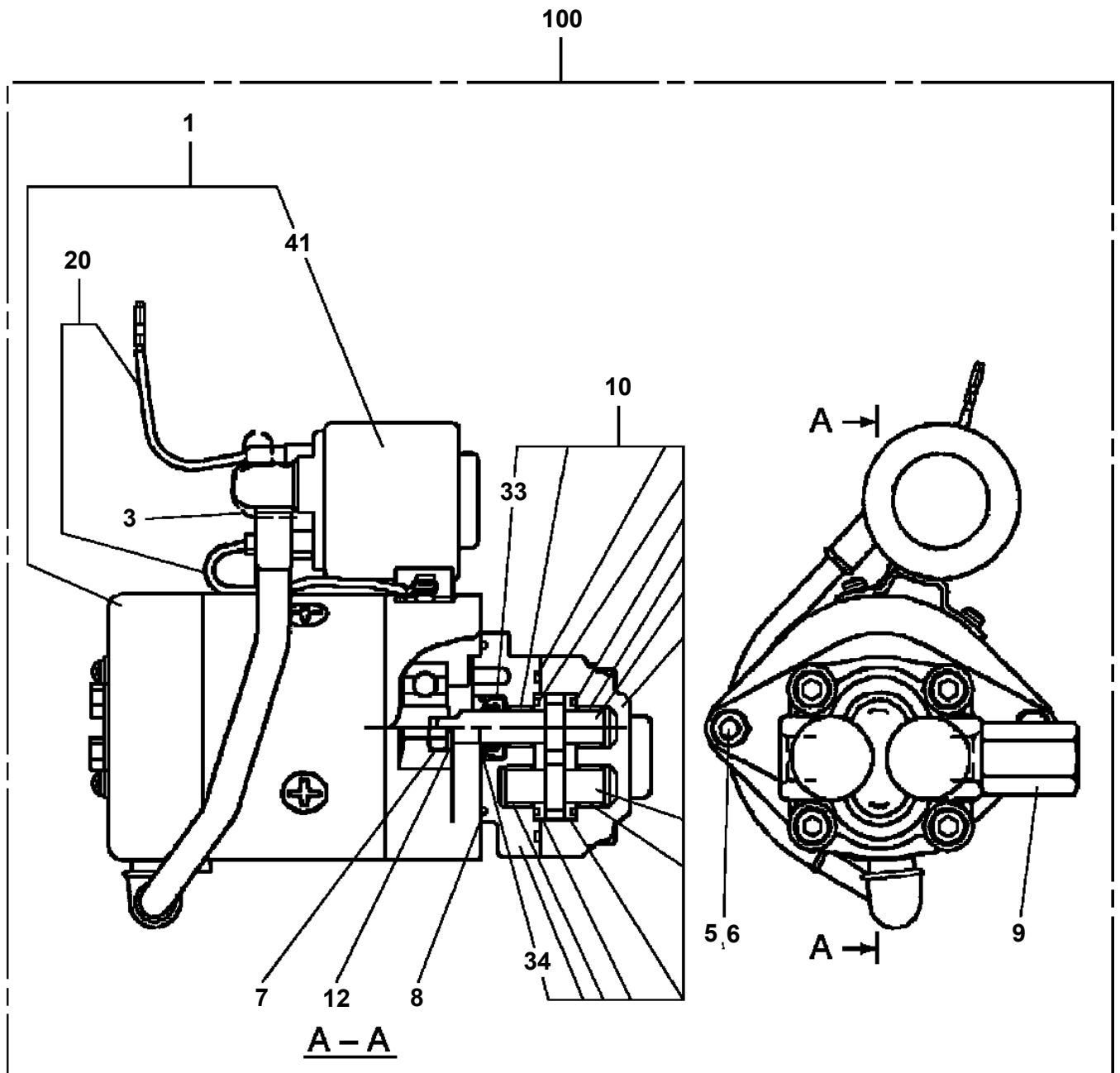
- Please note: If there is no response to CLICKING the link, please download this PDF first and then click on it.

CLICK HERE TO **DOWNLOAD** THE COMPLETE MANUAL

AT-121-1 43007120100 LOWER,MITSUBISHI KK-FE73EB 6A148

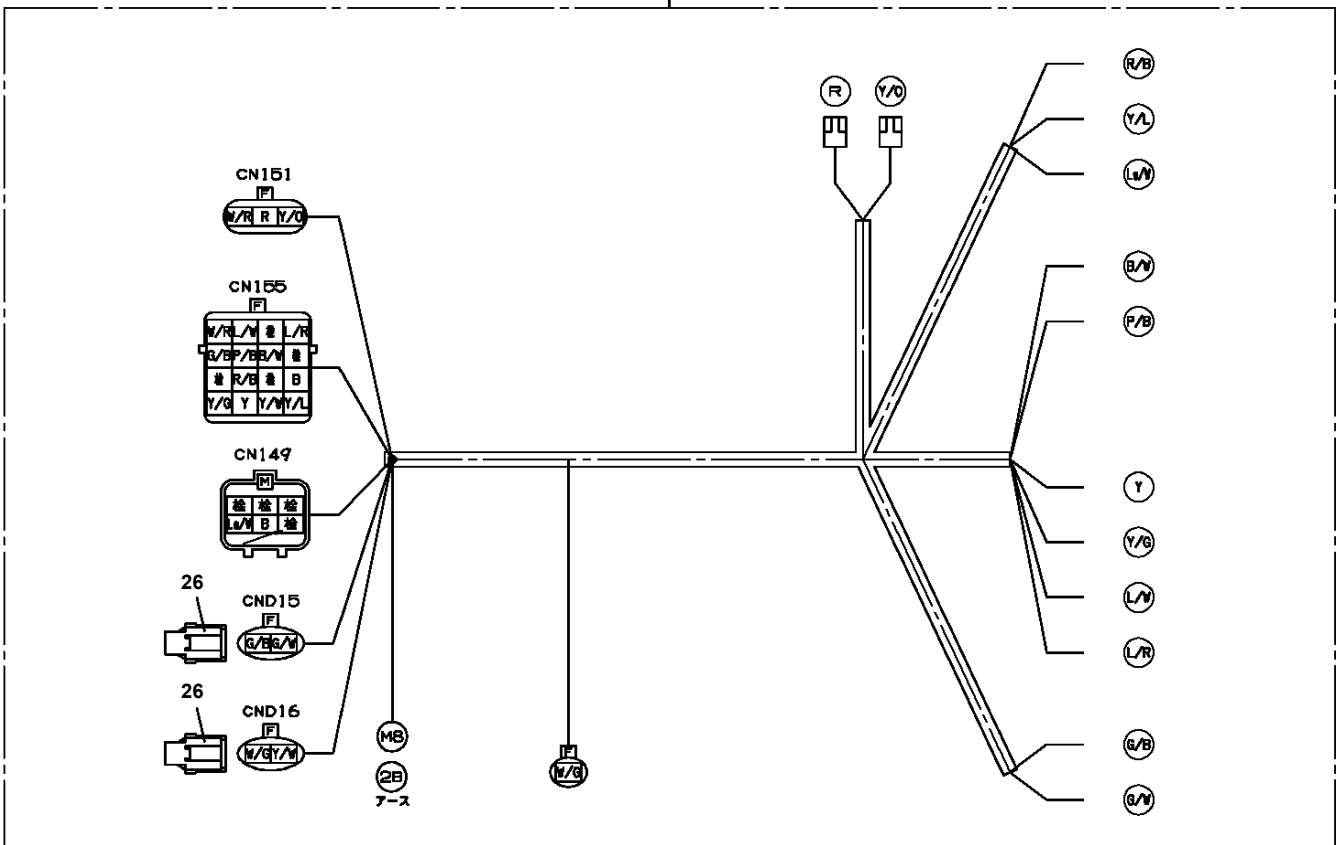
Pos No.	Parts No	Parts Name	Qty	Unit	Technical Data	Serial No (Start)	Serial No (End)	Remarks	Pages
2	(*****)	DECK	1						000021

AT-121-1 43007120100 LOWER, MITSUBISHI KK-FE73EB 6A148
PB1100277-01 PUMP, HYDRAULIC

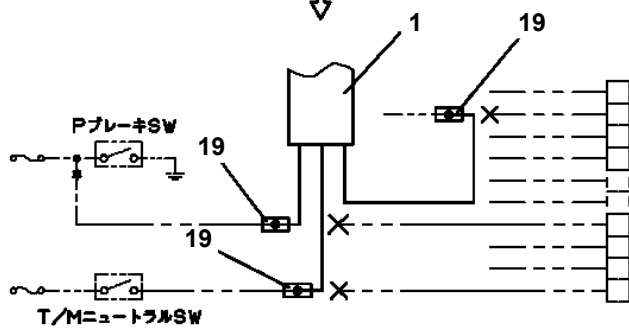
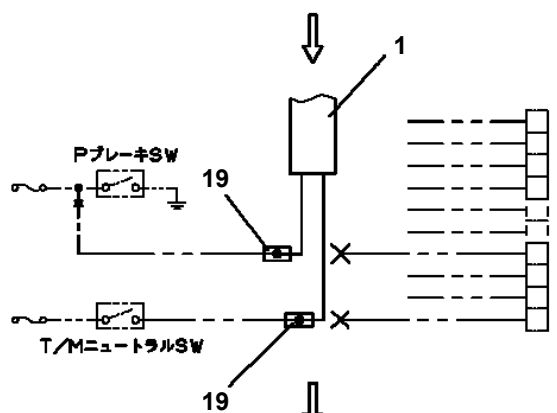
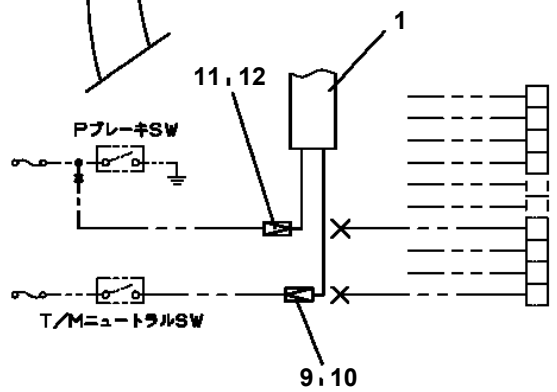
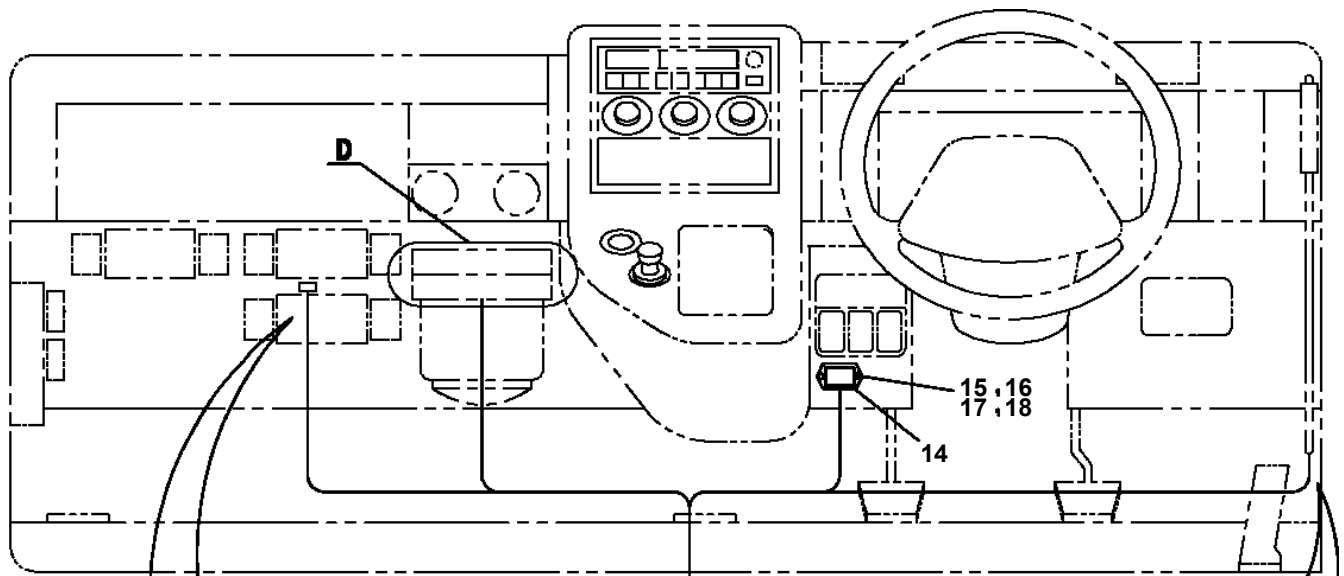


AT-121-1 43007120100 LOWER, MITSUBISHI KK-FE73EB 6A148
 PH5031616-00 HARNESS

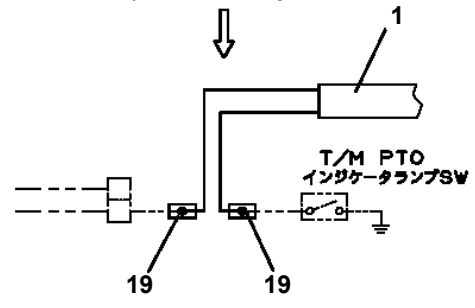
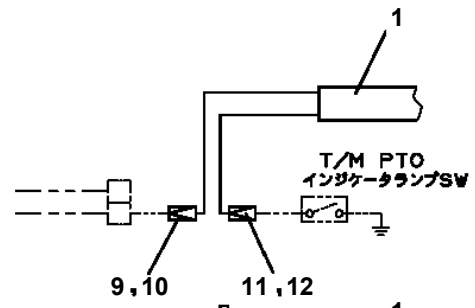
100



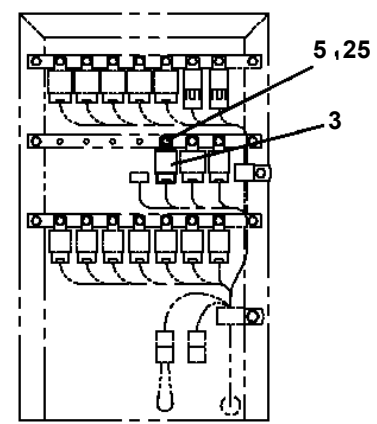
AT-121-1 43007120100 LOWER, MITSUBISHI KK-FE73EB 6A148
 PN1013236-03 ELEC. ASSY (CARRIER)



ニュートラル検出
 パーキング検出



PTO ON検出

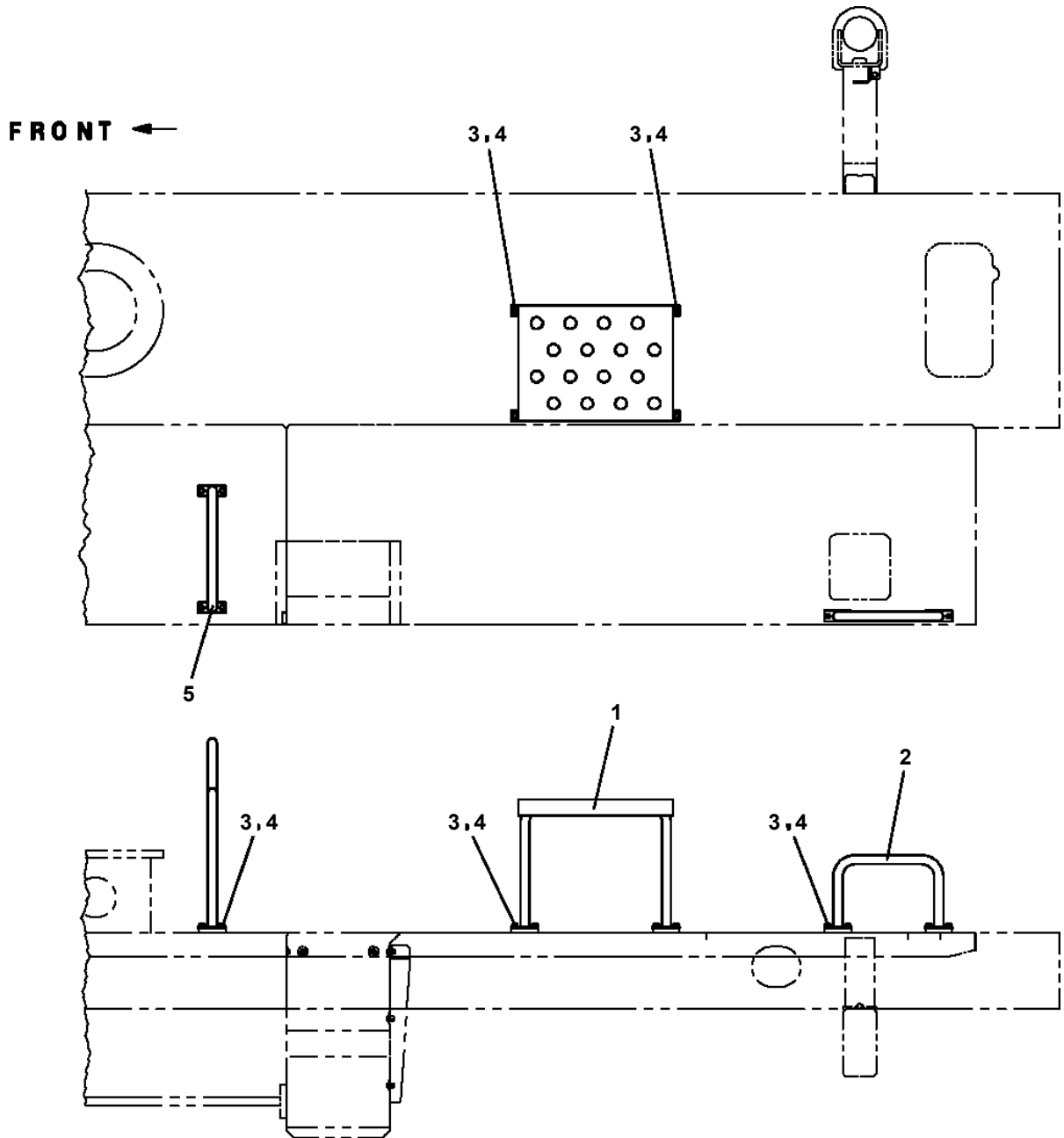


リレーボックス内

AT-121-1 43007120100 LOWER,MITSUBISHI KK-FE73EB 6A148

Pos No.	Parts No	Parts Name	Qty	Unit	Technical Data	Serial No (Start)	Serial No (End)	Remarks	Pages
1	42696780100	FENDER	1						
2	42696780200	FENDER	1				HJ0053		
	42696780201	FENDER	1			HJ0054			
3	42696780300	FENDER	1						
4	42696780400	FENDER	1				HJ0053		
	42696780401	FENDER	1			HJ0054			
5	42696780500	FENDER	1						
6	42696781000	COVER	1						
7	42696781100	COVER	1						
8	42696780700	SUPPORT	1						
9	42696780800	SUPPORT	1						
10	90180208020	BOLT,BUTTON	10		M8X20				
11	90302040801	WASHER,SPRING	23		8				
12	37000506550	PLATE	18		T=1.6				
13	90101210020	BOLT	33		M10X20				
14	90302041001	WASHER,SPRING	37		10				
15	90201201000	NUT	4		M10				
16	37000549940	PLATE	28		T=3.2				
17	90101210016	BOLT	4		M10X16				
19	90101208016	BOLT	13		M8X16				
20	90303070801	WASHER,PLAIN	5		8				
21	31301110200	COVER	1						
22	42696780900	COVER	1						
23	42696781200	GUARD,SIDE	1						
24	90303071001	WASHER,PLAIN	4		10				

AT-121-1 43007120100 LOWER, MITSUBISHI KK-FE73EB 6A148
PX1260188-00 STEP



CLICK HERE TO **DOWNLOAD** THE COMPLETE MANUAL

- Thank you very much for reading the preview of the manual.
- You can download the complete manual from: www.heydownloads.com by clicking the link below



- Please note: If there is no response to CLICKING the link, please download this PDF first and then click on it.

CLICK HERE TO **DOWNLOAD** THE COMPLETE MANUAL