

**AT-120S-2 42081232007 UPPER, LOWER, HINO TKG-XZU652F-TKFRC6**

**PB0000349-01 UPPER STRUCTURE SYSTEM**

**PB0000505-00 LOWER STRUCTURE SYSTEM**

**ASSEMBLY**

CLICK HERE TO **DOWNLOAD** THE COMPLETE MANUAL

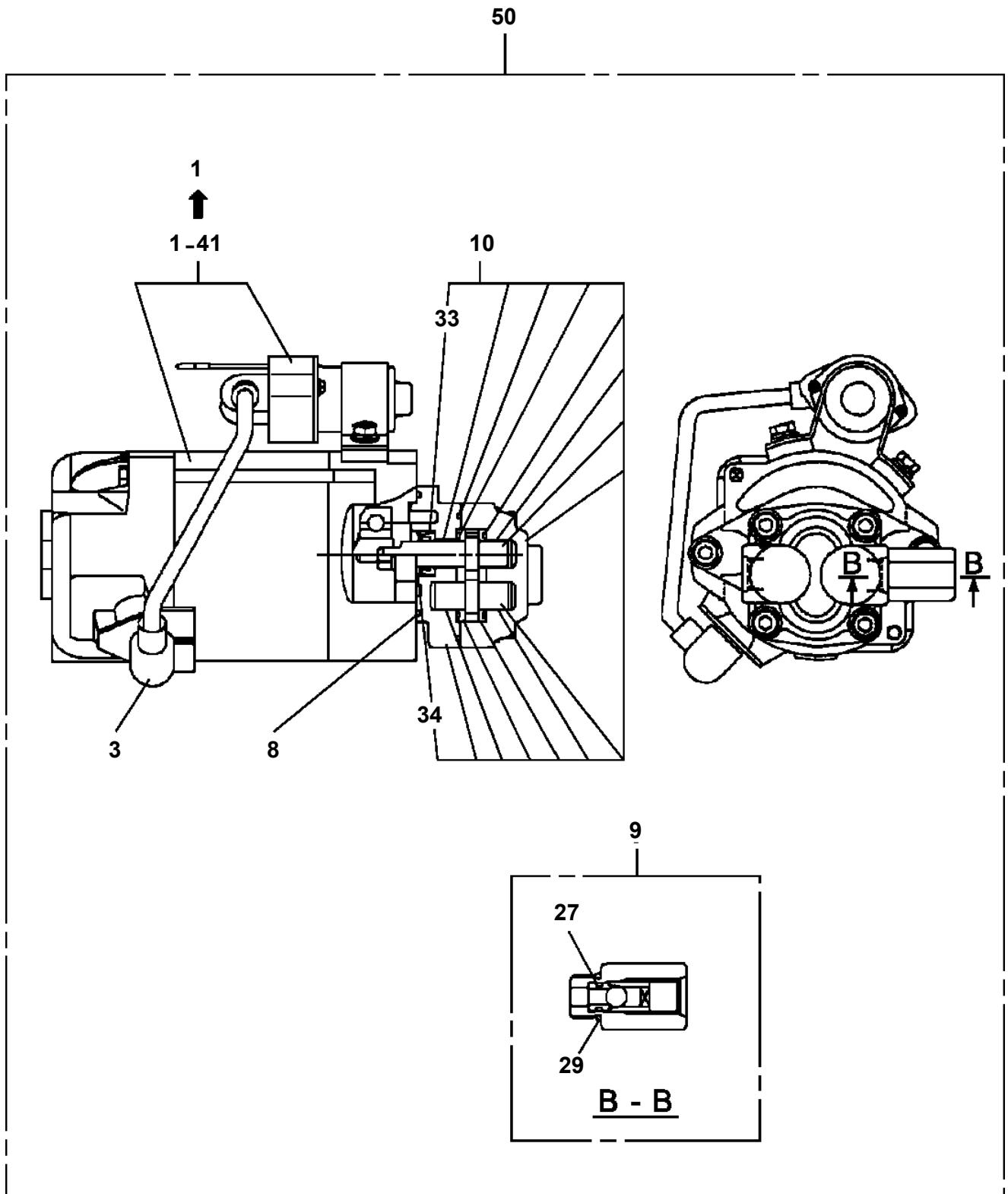
- Thank you very much for reading the preview of the manual.
- You can download the complete manual from: [www.heydownloads.com](http://www.heydownloads.com) by clicking the link below



- Please note: If there is no response to CLICKING the link, please download this PDF first and then click on it.

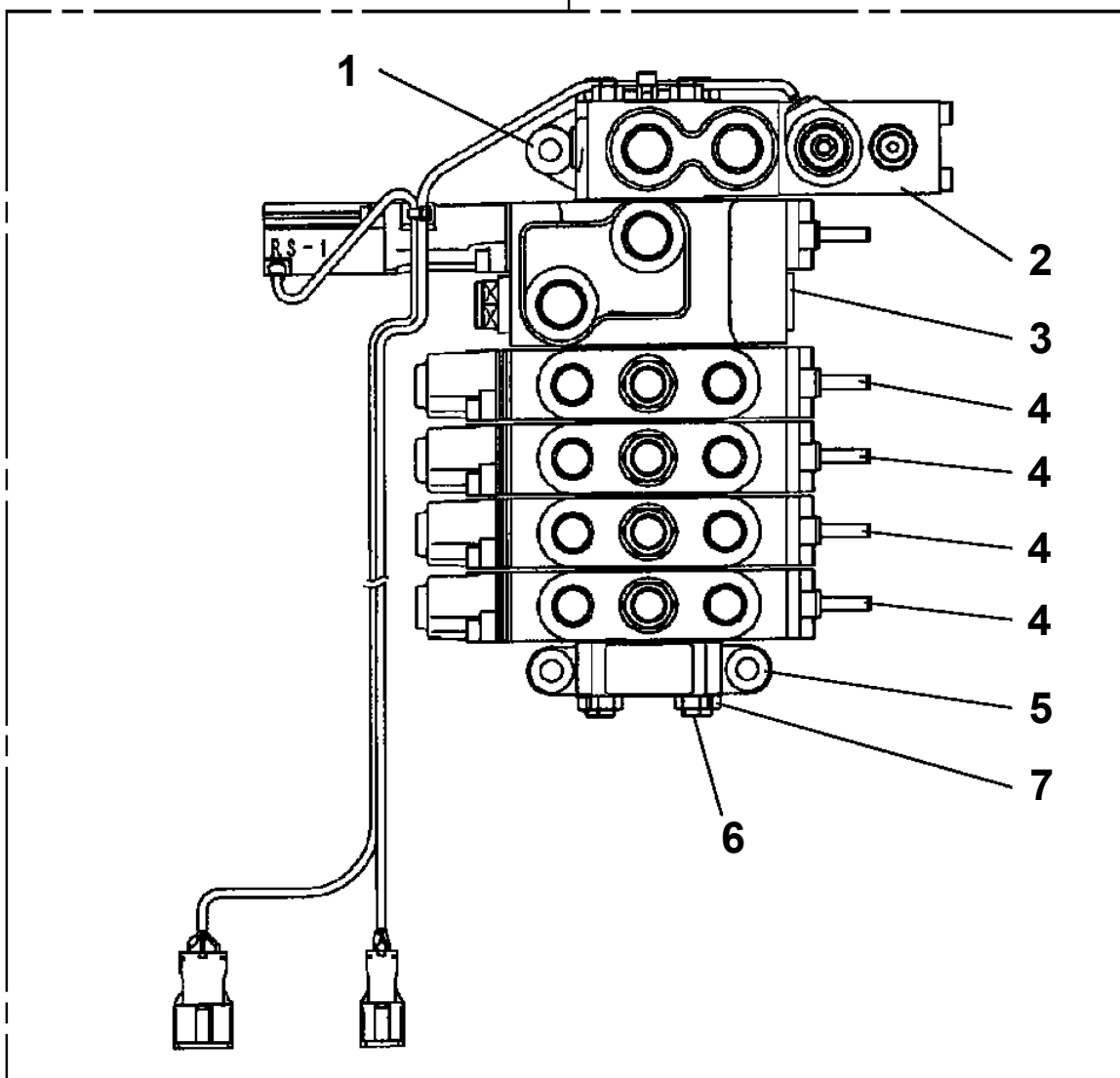
CLICK HERE TO **DOWNLOAD** THE COMPLETE MANUAL

AT-120S-2 42081232007 UPPER, LOWER, HINO TKG-XZU652F-TKFRC6  
PB1100101-02 PUMP, HYDRAULIC (EMERGENCY)

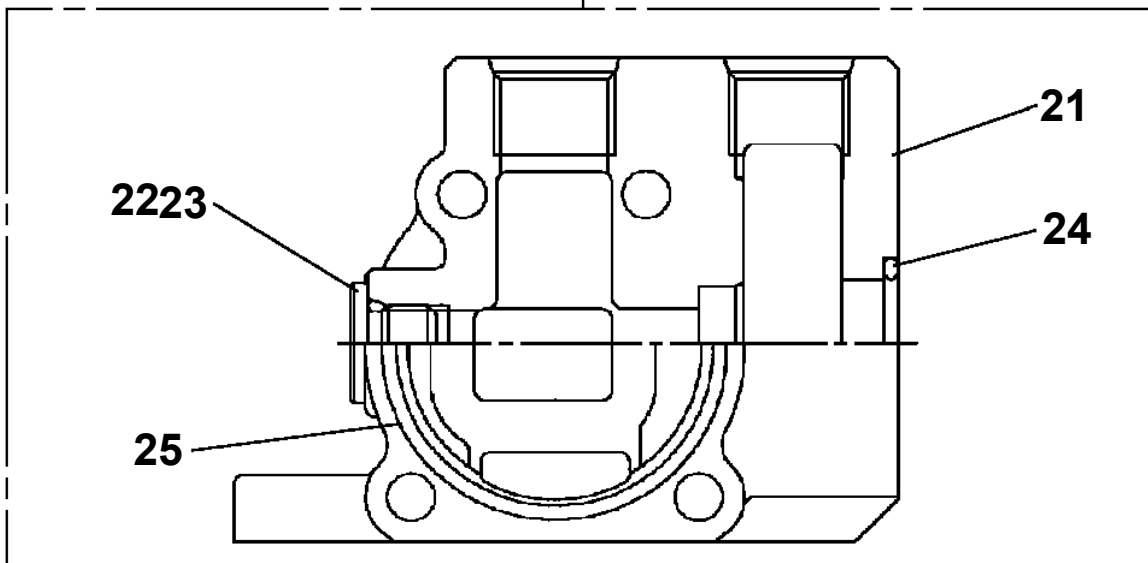


AT-120S-2 42081232007 UPPER, LOWER, HINO TKG-XZU652F-TKFRC6  
PB1320537-01 VALVE, MANUAL CONTROL

200



1



# AT-120S-2 42081232007 UPPER, LOWER, HINO TKG-XZU652F-TKFRC6

Pos No.	Parts No	Parts Name	Qty	Unit	Technical Data	Serial No (Start)	Serial N
1	(*****)	PUMP, HYDRAULIC (MOUNT)	1				
2	(*****)	POWER SUPPLY (MOUNT, EMERGENCY PUMP)	1				

# AT-120S-2 42081232007 UPPER, LOWER, HINO TKG-XZU652F-TKFRC6

Pos No.	Parts No	Parts Name	Qty	Unit	Technical Data	Serial No (Start)	Serial No (End)	R
1	42614571004	CASE ASSY,INNER (REAR,LEFT)	1					
2	90302041001	WASHER,SPRING	16		10			
3	31611640150	SPRING	2					
4	90171108016	BOLT	4		M8X16			
5	37000504780	PLATE	N		T=0.6			
6	42614572004	CASE ASSY,INNER (REAR,RIGHT)	1					
9	42613610010	PLATE	4					
11	90101206014	BOLT	2		M6X14		HA6914	
	90101206016	BOLT	2		M6X16	HA6915		
12	90302040601	WASHER,SPRING	2		6			
13	42613610020	BLADE	2					
16	37002011280	PLATE,SLIDE	N		T=9.5			
17	42612850200	PLATE	N		T=6			
18	90101210016	BOLT	16		M10X16			
19	37000581940	PLATE	N		T=0.5			
20	37000506590	PLATE	N		T=1.6			
21	90303070601	WASHER,PLAIN	2		6			
22	90101208012	BOLT	4		M8X12			
23	90302040801	WASHER,SPRING	4		8			
24	37000575240	PLATE	2		T=3			
25	37000178190	PIN	2					
26	42614050020	PLATE,SLIDE	2					
27	37001510810	BOLT	4		M8X25			

# AT-120S-2 42081232007 UPPER, LOWER, HINO TKG-XZU652F-TKFRC6

Pos No.	Parts No	Parts Name	Qty	Unit	Technical Data	Serial No (Start)	Serial No (End)	Remarks
1	36637490000	VALVE,MANUAL CONTROL	1					
2	90101208025	BOLT	3		M8X25			
3	90302040801	WASHER,SPRING	3		8			
4	32700007500	LEVEL	1					
5	42701200100	LEVER	1					
6	42701200200	LEVER	1					
7	42701200300	LEVER	1					
8	42701200400	LEVER	1					
9	42701200500	LEVER	1					
10	31323330200	KNOB (RED)	1					
11	31323330100	KNOB (BLACK)	4					
12	37000105610	PIN	10		L=18			
13	90303070501	WASHER,PLAIN	10		5			
14	80136320010	PIN,SPLIT	10		2X10			

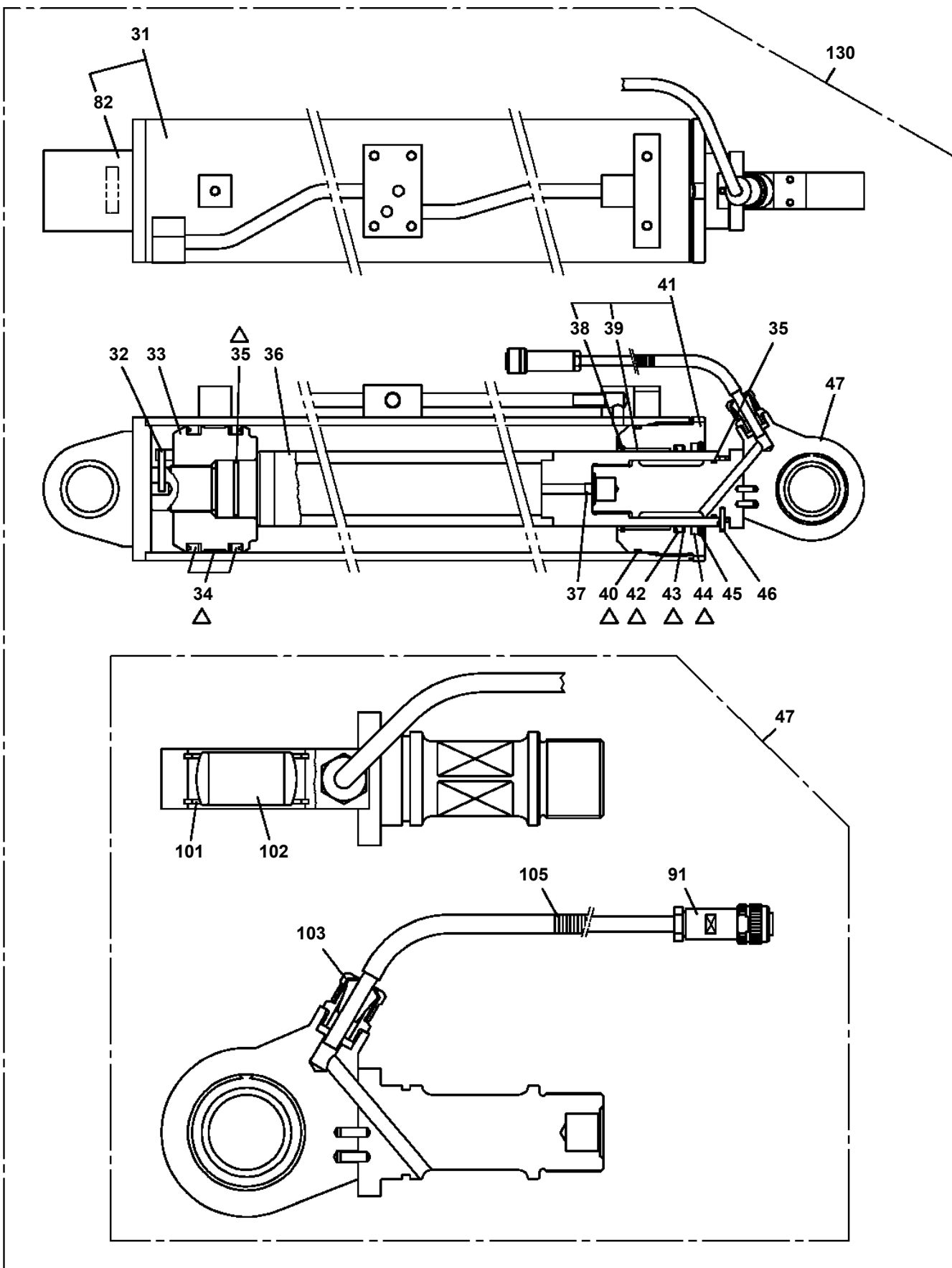
# AT-120S-2 42081232007 UPPER, LOWER, HINO TKG-XZU652F-TKFRC6

Pos No.	Parts No	Parts Name	Qty	Unit	Technical Data	Serial No (Start)	Serial No (End)	Re
1	42614571102	CASE,INNER	1					
2	42614571200	CASE,INNER	1					
4	36036340001	CYLINDER,JACK	1					
5	42612851400	FLOAT ASSY	1					
6	37000184210	PIN	1		25			
7	80601110250	RING,RITAINING	1		S25			
8	37000169010	PIN	1		30			
9	80601110300	RING,RITAINING	2		S30			
10	36625740001	VALVE,CHECK	1					
11	90171108055	BOLT	4		M8X55			
12	37000138750	PIN	1		18			
13	80136332036	PIN,SPLIT	2		3.2X36			
14	80400160127	JOINT	1					
15	91002801100	O-RING	1		1B P11			
16	36672460000	FILTER (NIPPLE TYPE)	1					
17	42612851010	COVER	1					
18	90186206014	BOLT,FLANGE	2		M6X14			
19	37000582990	PLATE	4		T=1.0			
21	91810130240	FASTENER	2					
25	37000184220	PIN	2		12			
26	80601110120	RING,RITAINING	4		S12			
28	90280200600	NUT,FLANGE	1		M6			
30	37000600700	CLAMP	1		12X3			
31	31201770100	PLATE,SLIDE	8		T=3.0			
51	36043250000	CYLINDER,EXTENSION	1					
52	80400160127	JOINT	2					
53	91002801100	O-RING	3		1B P11			
54	37002485330	HOSE	1		L=2135			
55	42613671400	HARNESS	1					
56	91810130250	FASTENER	16					
73	42612851420	TRUNNION	1					
100	42614571004	CASE ASSY,INNER (REAR,LEFT)	1					

# AT-120S-2 42081232007 UPPER, LOWER, HINO TKG-XZU652F-TKFRC6

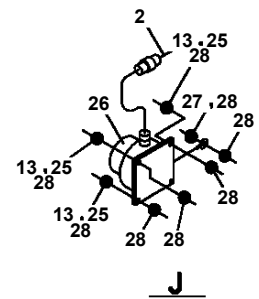
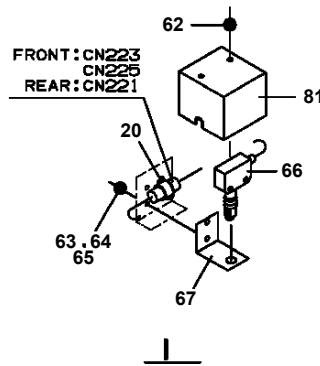
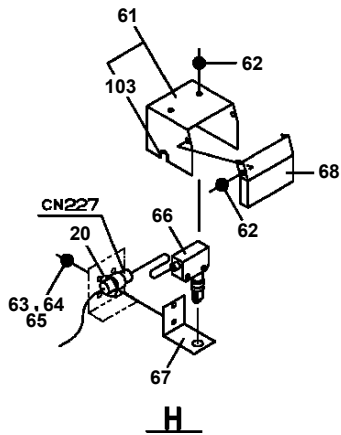
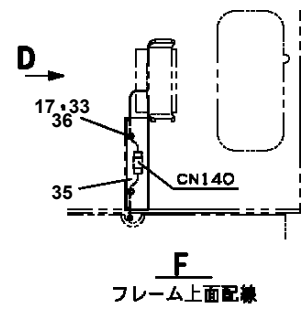
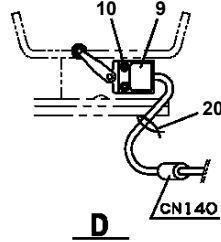
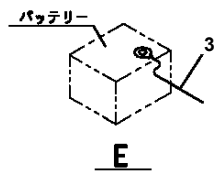
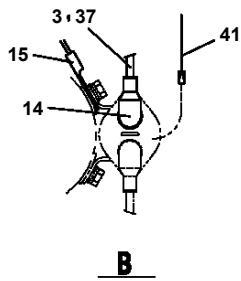
Pos No.	Parts No	Parts Name	Qty	Unit	Technical Data	Serial No (Start)	Serial No (End)	Remarks
3	91280439941	SEAL,OIL	1					
4	36081565010	CASE,GEAR	1					
5	80515006312	BEARING,BALL	1					
6	36081395040	KEY	1					
7	36081395050	WHEEL,WORM	1		4X32-34			
8	90102510025	BOLT	6		M10X25			
9	90302041001	WASHER,SPRING	6		10			
10	80516006211	BEARING,BALL	1					
11	80601110550	RING,RITAINING	1		S55			
12	36081395060	CASE,GEAR	1					
13	36072725350	BEARING,TAPER ROLLER	1					
14	36081395070	WORM	1		4X20			
15	36081325110	BEARING,TAPER ROLLER	1					
16	36081325080	SHIM SET	1					
17	36081325010	SPACER	1					
18	36081325090	RING,SNAP	1					
19	36080495090	GAUGE,OIL	1					
20	36080235080	WASHER,SEAL	1		M16			
21	80316090040	PLUG SOCKET	1		R1/4			
31	36081395500	GEAR,SPUR	1					
50	36081560000	REDUCER,SWING SPEED	1					

**AT-120S-2 42081232007 UPPER, LOWER, HINO TKG-XZU652F-TKFRC6  
PE1050097-06 CYLINDER,LEVELING**

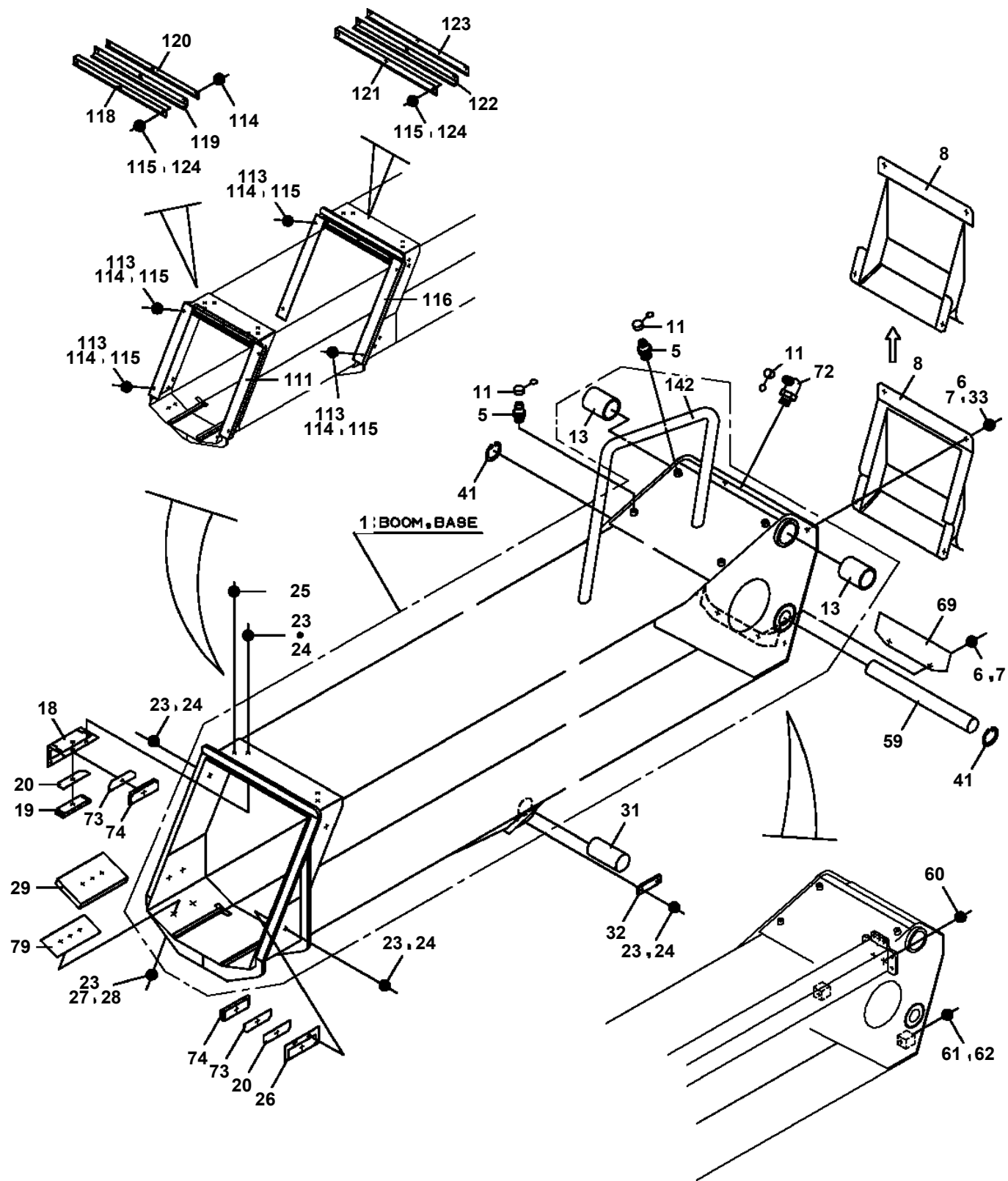


△:PACKING SET KEY NO.120 (KEY NO.34,35,40,42,43,44)

AT-120S-2 42081232007 UPPER, LOWER, HINO TKG-XZU652F-TKFRC6  
 PE5110091-01 ELEC.ASSY,FRAME



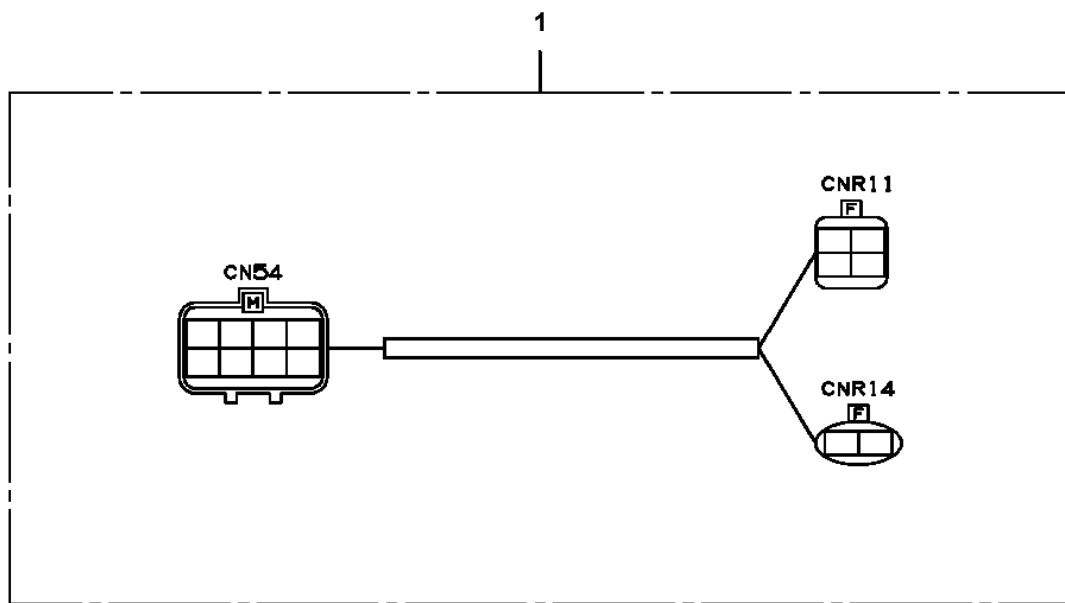
AT-120S-2 42081232007 UPPER, LOWER, HINO TKG-XZU652F-TKFR6  
PG1010818-01 BOOM



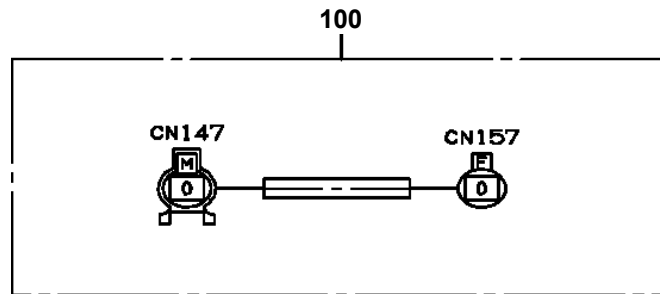
# AT-120S-2 42081232007 UPPER, LOWER, HINO TKG-XZU652F-TKFRC6

Pos No.	Parts No	Parts Name	Qty	Unit	Technical Data	Serial No (Start)	Serial No (End)	Remarks	Pa
2	90101208014	BOLT	6		M8X14				
3	90302040801	WASHER,SPRING	10		8				
4	42345810700	JOINT	1						
5	80302090161	FITTING	2		KCO12-030N				
6	82100001803	TUBE,CORRUGATE	4	M	13				
7	82100001804	TUBE,CORRUGATE	1	M	15				
8	80430450650	JOINT	1						
11	37002479610	HOSE	1		L=1250				
13	37000714030	CLAMP ASSY	4		18X1				
14	37000300750	SLEEVE	4		18-15				
15	37000911550	JOINT	1						
16	42343670100	SHEAVE	1						
17	42343670300	GUIDE	1						
18	90101208012	BOLT	4		M8X12				
19	42345810100	SHEAVE	1						
20	42345810200	GUIDE	1						
21	37002478780	HOSE	3		L=9200		HA6742		
	37012408440	HOSE	3		L=9160 TO 9200	HA6743			
22	37002478770	HOSE	2		L=9200		HA6742		
	37012408450	HOSE	2		L=9160 TO 9200	HA6743			
23	42345810400	JOINT	1				HA6742		
	42345811100	JOINT	1			HA6743			
24	90201201000	NUT	4		M10				
25	80430620400	JOINT	3						
27	80430620600	JOINT (WITH O-RING)	4		L,G3/8-G3/8				
28	91002801400	O-RING	2		1B P14				
29	90303070801	WASHER,PLAIN	2		8				
30	37000714010	CLAMP ASSY	2		12X1				
31	42345810800	JOINT	1						
32	42345810900	SUPPORT	1						
33	42345810950	PLATE	4						
34	37002480540	HOSE	1		L=1200				
37	91000501100	O-RING	6			HA6743			
38	91000501200	O-RING	4			HA6743			
51	42345890110	JOINT	1						
52	80400160127	JOINT	4				HA6742		
	80400160127	JOINT	2						
	80400160127	JOINT	1			HA6743			
53	91002801100	O-RING	8		1B P11		HA6742		
	91002801100	O-RING	3		1B P11				
	91002801100	O-RING	8		1B P11	HA6743			
54	80316090020	PLUG	3		KKT PT1/8		HA6742		
	80316090020	PLUG	3		KKT PT1/8	HA6743			
55	80481002030	JOINT	2		S,G1/4-G3/8		HA6742		
	80481002030	JOINT	1		S,G1/4-G3/8	HA6743			
56	80461002216	JOINT	3			HA6743			
57	80461102518	JOINT	1			HA6743			
61	42344740210	JOINT	1						
65	80400160129	JOINT	2				HA6742		
	80400160129	JOINT	1			HA6743			
66	91002801400	O-RING	6		1B P14				
68	80461103518	JOINT	1			HA6743			

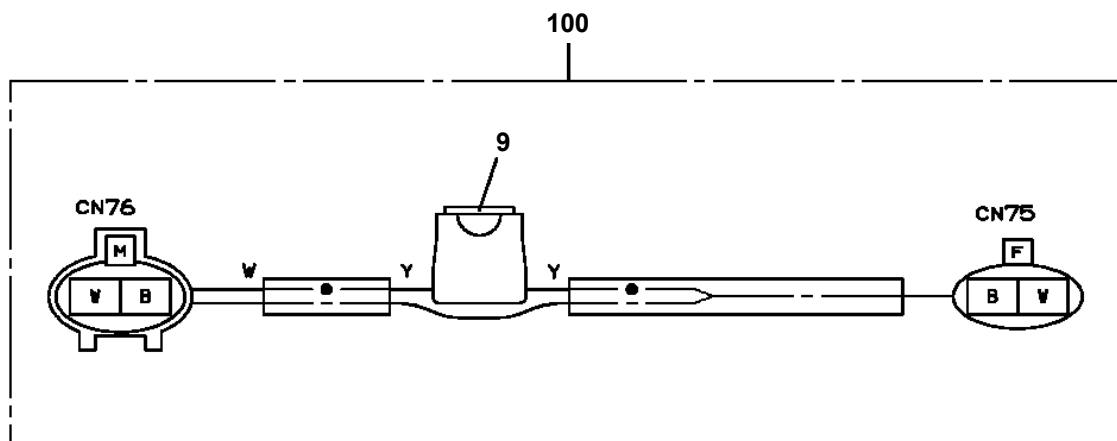
AT-120S-2 42081232007 UPPER, LOWER, HINO TKG-XZU652F-TKFRC6  
PH5030404-00 HARNESS



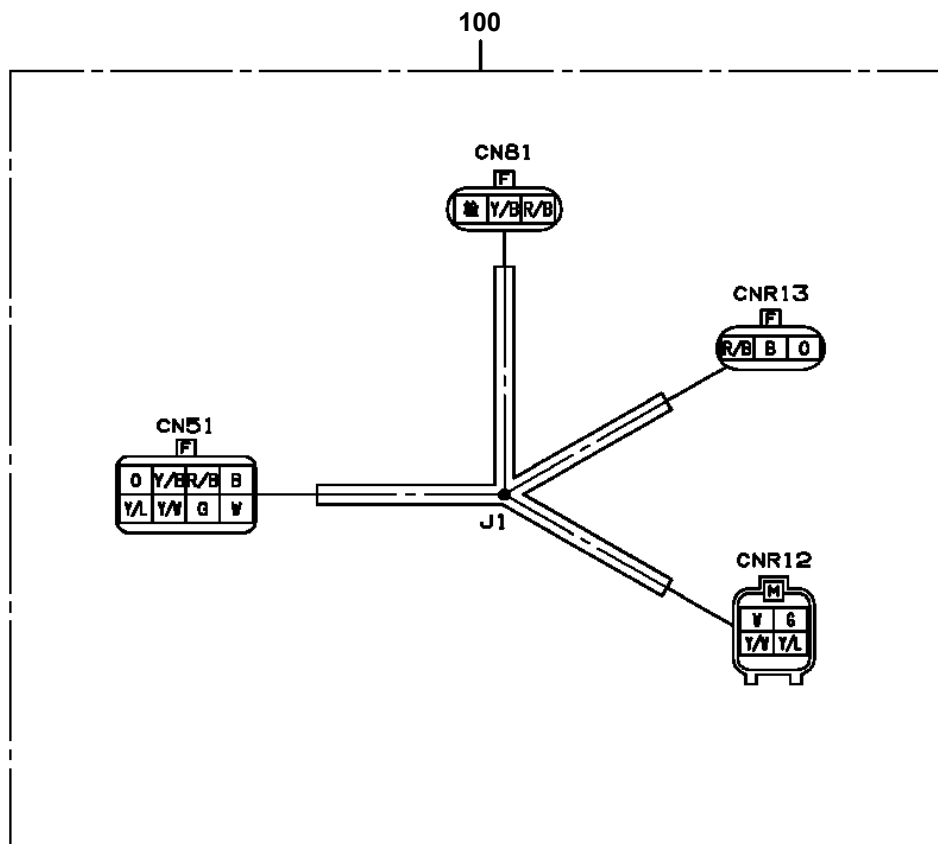
**AT-120S-2 42081232007 UPPER, LOWER, HINO TKG-XZU652F-TKFRC6  
PH5031599-00 HARNESS**



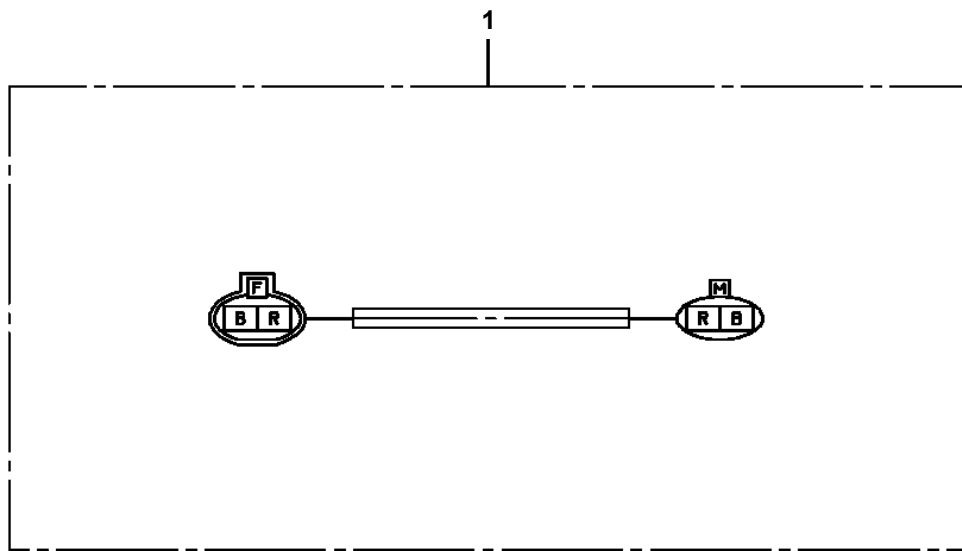
AT-120S-2 42081232007 UPPER, LOWER, HINO TKG-XZU652F-TKFRC6  
PH5032700-00 HARNESS



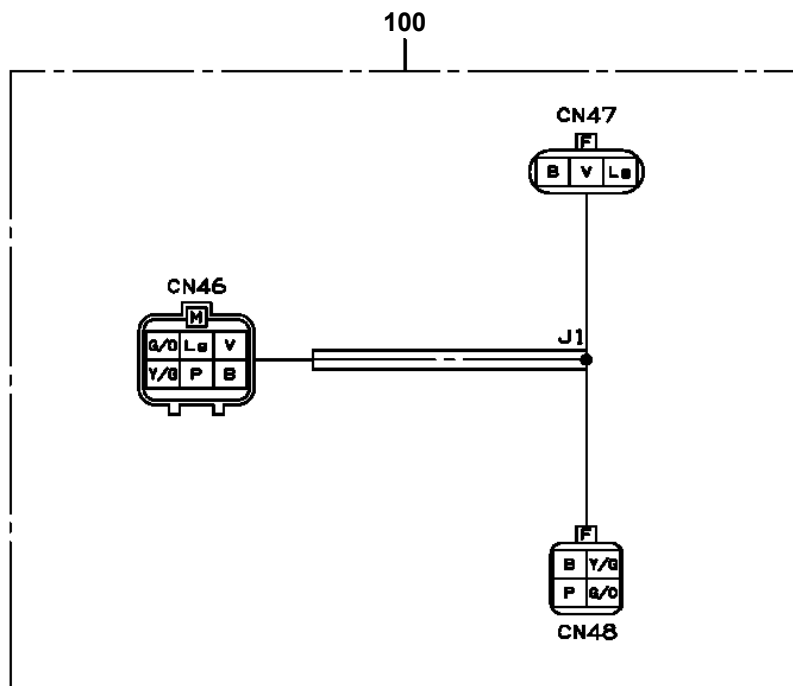
AT-120S-2 42081232007 UPPER, LOWER, HINO TKG-XZU652F-TKFRC6  
PH5033865-00 HARNESS



AT-120S-2 42081232007 UPPER, LOWER, HINO TKG-XZU652F-TKFRC6  
PH5034148-00 HARNESS

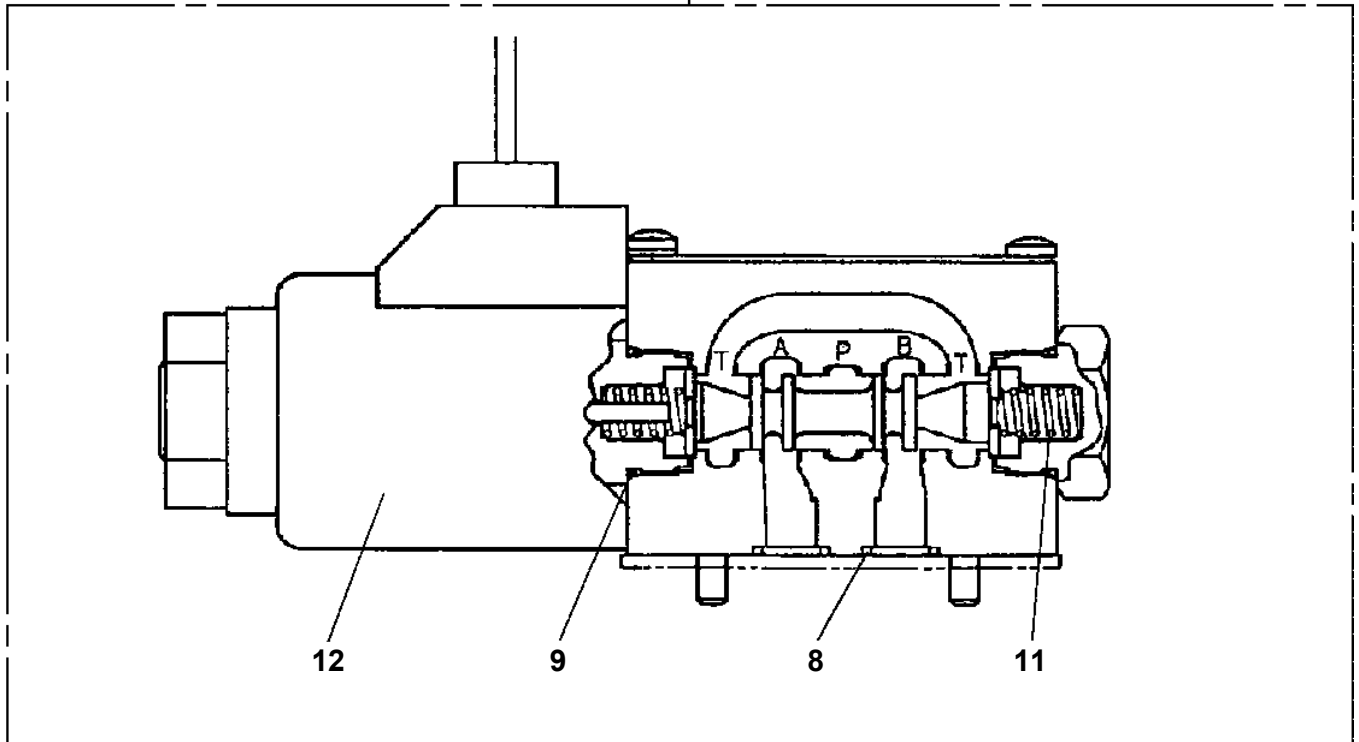


AT-120S-2 42081232007 UPPER, LOWER, HINO TKG-XZU652F-TKFRC6  
PH5034231-00 HARNESS

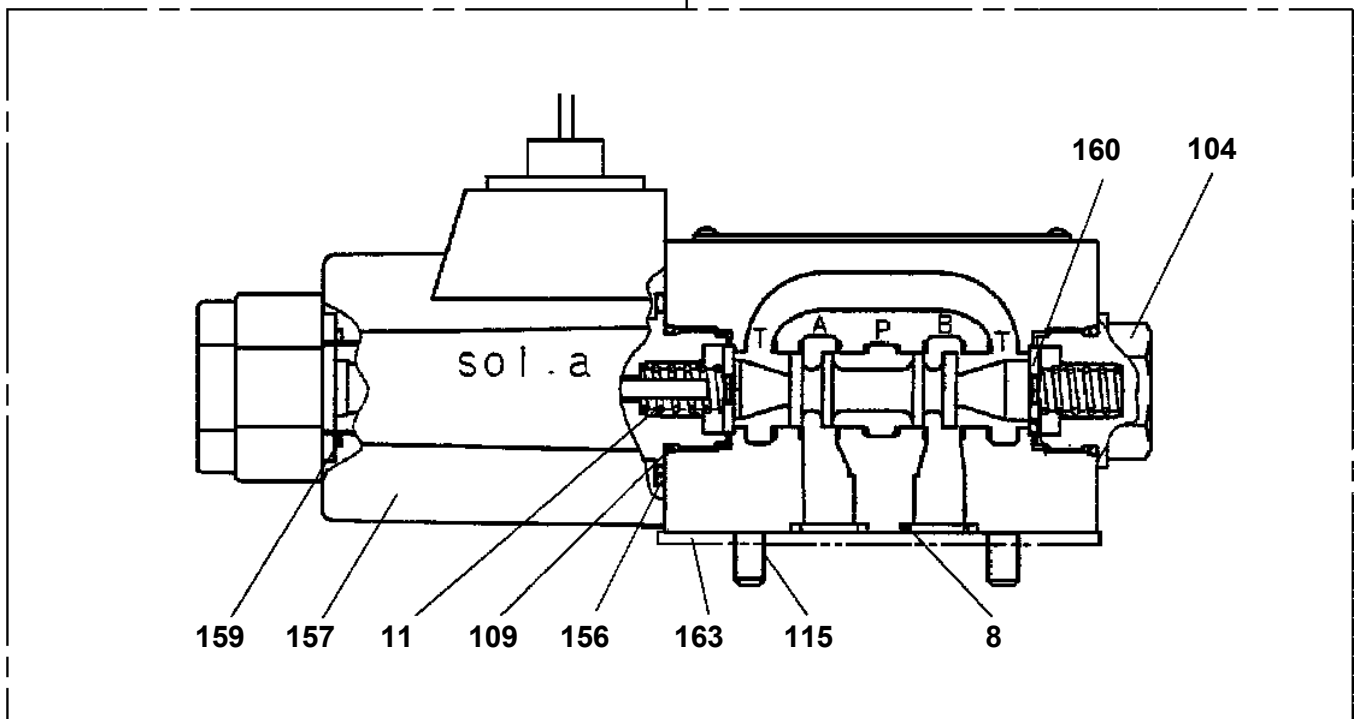


AT-120S-2 42081232007 UPPER, LOWER, HINO TKG-XZU652F-TKFRC6  
PI1120265-01 VALVE,SOLENOID

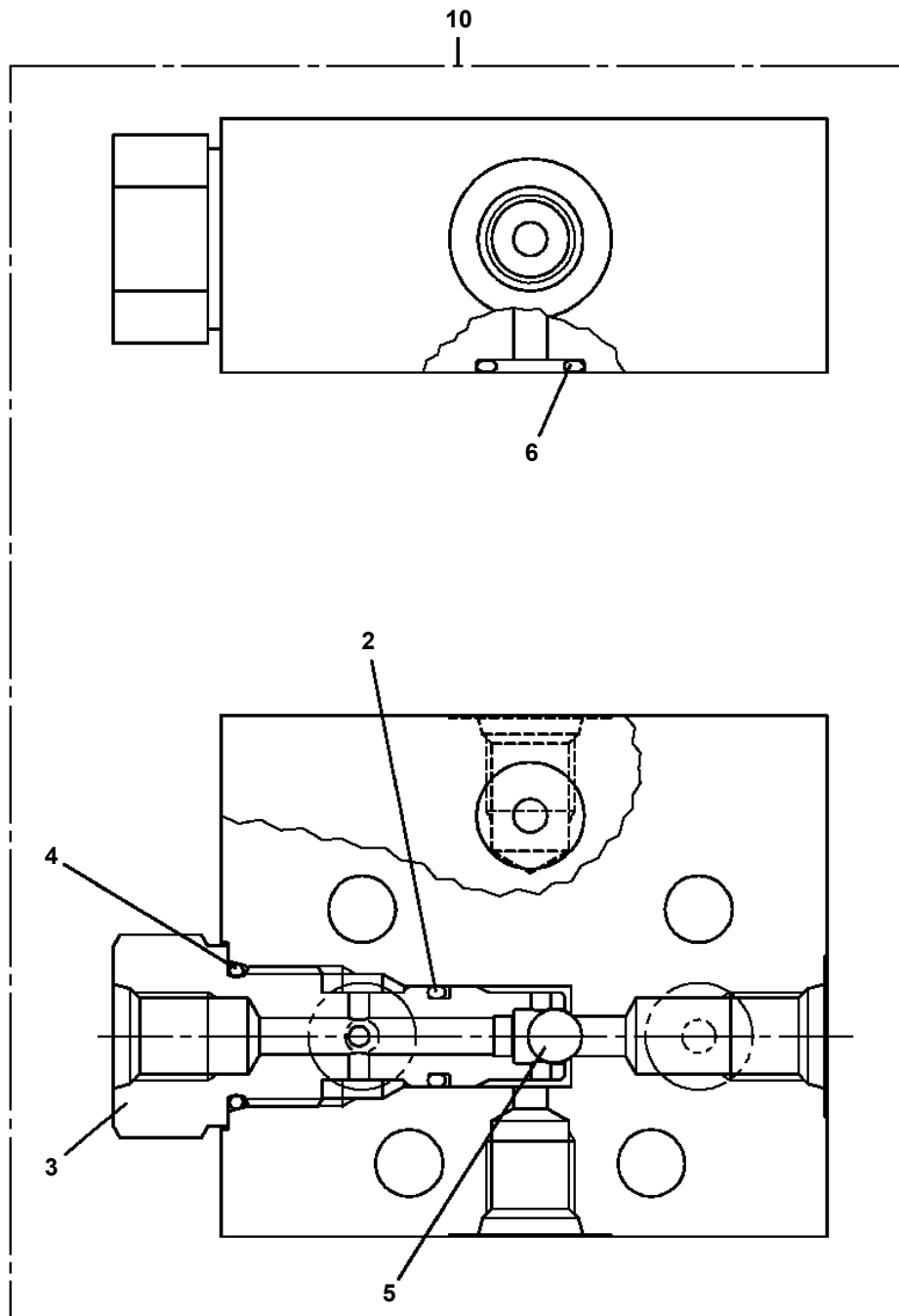
200



200



AT-120S-2 42081232007 UPPER, LOWER, HINO TKG-XZU652F-TKFRC6  
PI1230018-00 VALVE,SHUTTLE



CLICK HERE TO **DOWNLOAD** THE COMPLETE MANUAL

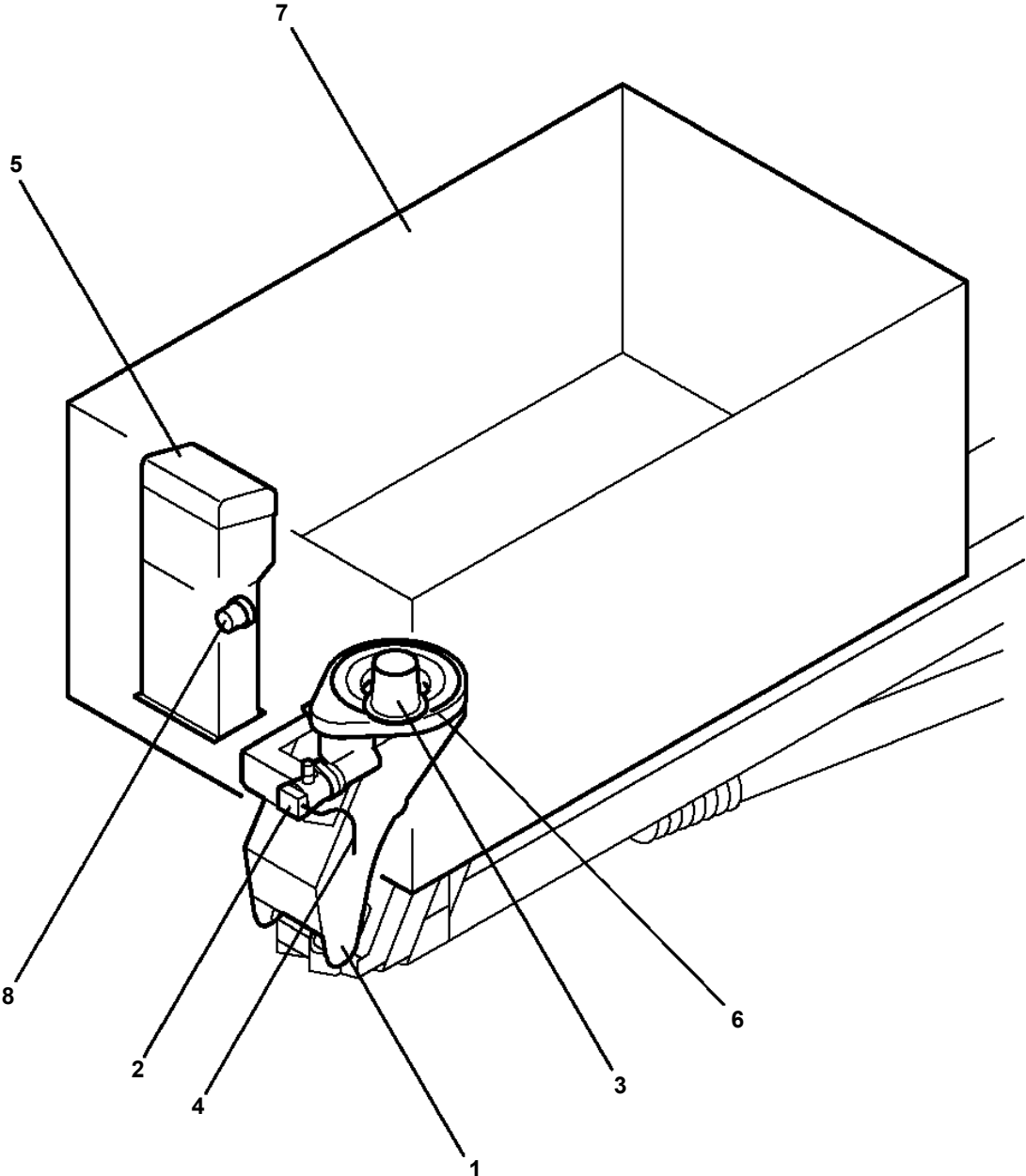
- Thank you very much for reading the preview of the manual.
- You can download the complete manual from: [www.heydownloads.com](http://www.heydownloads.com) by clicking the link below



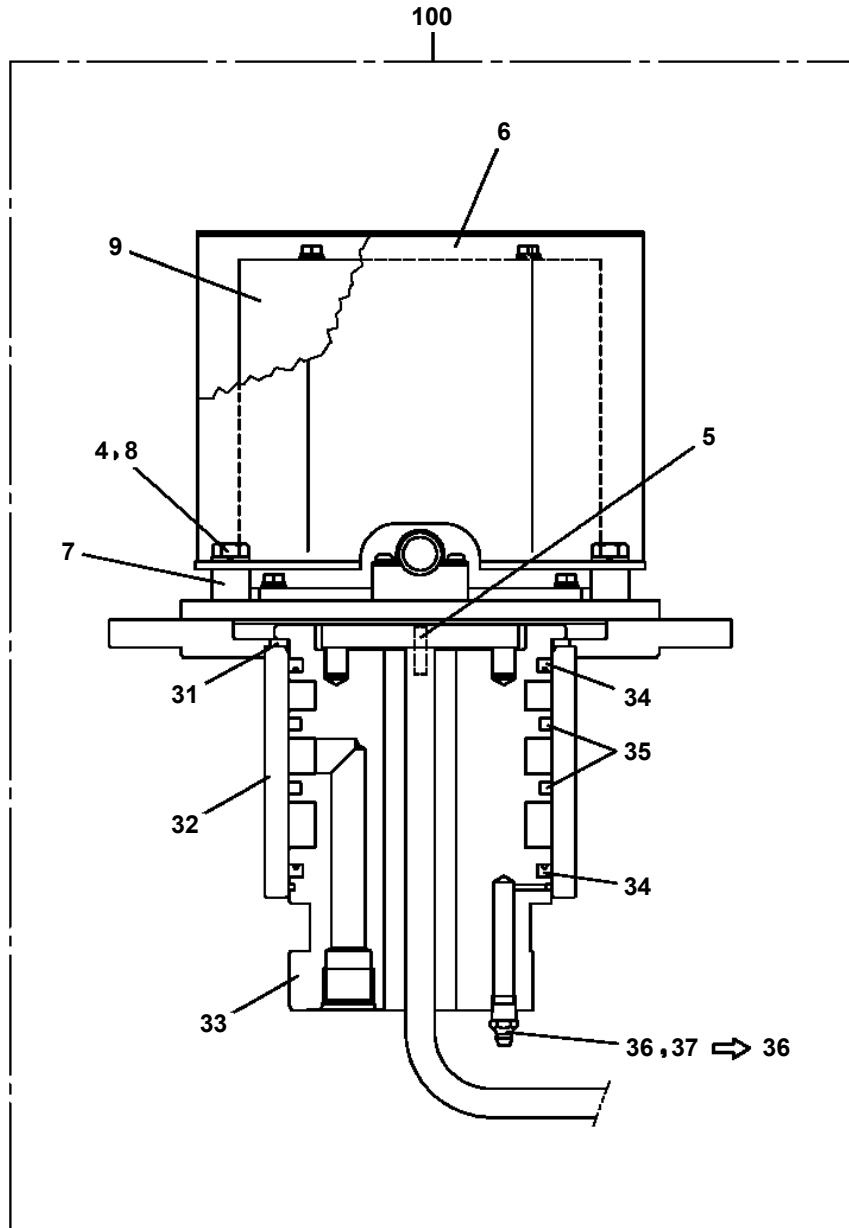
- Please note: If there is no response to CLICKING the link, please download this PDF first and then click on it.

CLICK HERE TO **DOWNLOAD** THE COMPLETE MANUAL

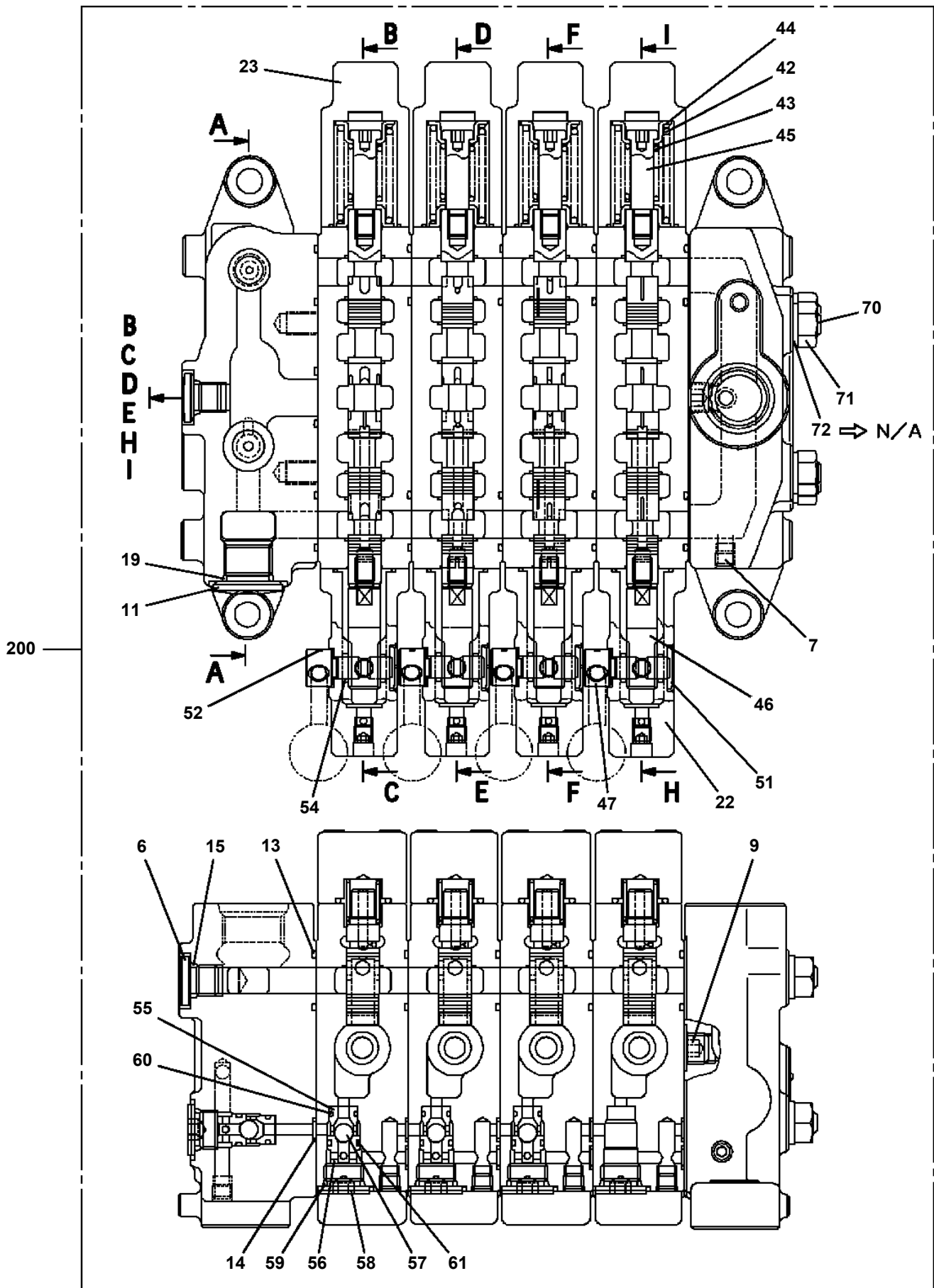
**AT-120S-2 42081232007 UPPER, LOWER, HINO TKG-XZU652F-TKFRC6  
PJ3000265-00 PLATFORM SYSTEM**



AT-120S-2 42081232007 UPPER, LOWER, HINO TKG-XZU652F-TKFRC6  
PJ5090125-01 JOINT ASSY, SWIVEL



AT-120S-2 42081232007 UPPER, LOWER, HINO TKG-XZU652F-TKFR6  
 PL1250039-03 VALVE, CONTROL



# AT-120S-2 42081232007 UPPER, LOWER, HINO TKG-XZU652F-TKFRC6

Pos No.	Parts No	Parts Name	Qty	Unit	Technical Data	Serial No (Start)	Serial No (End)	Remarks
1	42510231000	LAMP ASSY (LED)	1				HA6753	
2	90813108016	BOLT,WING	1		M8X16			
3	42500240200	SUPPORT	1					
4	90162150200	U-BOLT	2		M8X20A			
5	90302040801	WASHER,SPRING	4		8			
6	90201200800	NUT	4		M8			
7	82100002002	CLAMP	4		WR6			
8	90302040601	WASHER,SPRING	4		6			
9	90101206012	BOLT	4		M6X12			
10	42500240101	HARNESS	1					
12	91810130240	FASTENER	10					
13	90201200600	NUT	3		M6			
15	42735520300	HARNESS	1					
31	82199105007	LAMP (ASSY ONLY)	1				HA6753	
32	90101212020	BOLT	1		M12X20		HA6753	
33	90302041201	WASHER,SPRING	1		12		HA6753	
34	37000179070	PIN	1				HA6753	
35	80620210160	PIN,SNAP	1				HA6753	
41	42510232000	LAMP ASSY (SQUARE TYPE)	1			HA6754		

# AT-120S-2 42081232007 UPPER, LOWER, HINO TKG-XZU652F-TKFRC6

Pos No.	Parts No	Parts Name	Qty	Unit	Technical Data	Serial No (Start)	Serial No (End)	Remark
1	82100003008	LAMP (LED BULB/YELLOW)	4		24V			

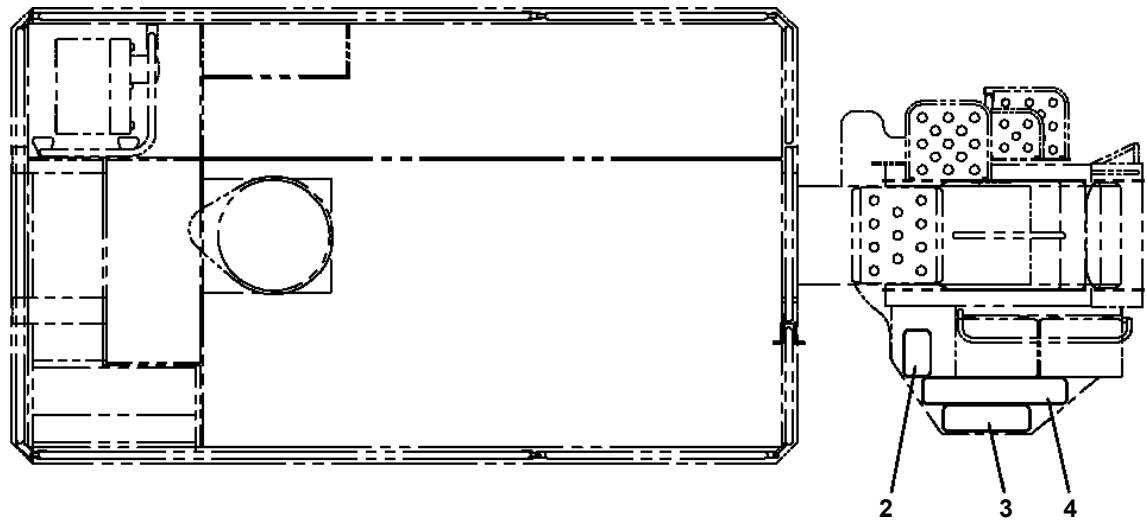
# AT-120S-2 42081232007 UPPER, LOWER, HINO TKG-XZU652F-TKFRC6

Pos No.	Parts No	Parts Name	Qty	Unit	Technical Data	Serial No (Start)	Serial No (End)
1	42433932200	SWITCH ASSY (WITH HARNESS,1 SW)	1				
2	82199514013	CAP	1				
3	82199504017	NUT	1		AT-401N		
21	42500065010	PLATE,NAME	1				
22	42500065020	PLATE,NAME	1				
23	42475910010	PLATE,NAME	1				
24	42943630070	PLATE,NAME	1				

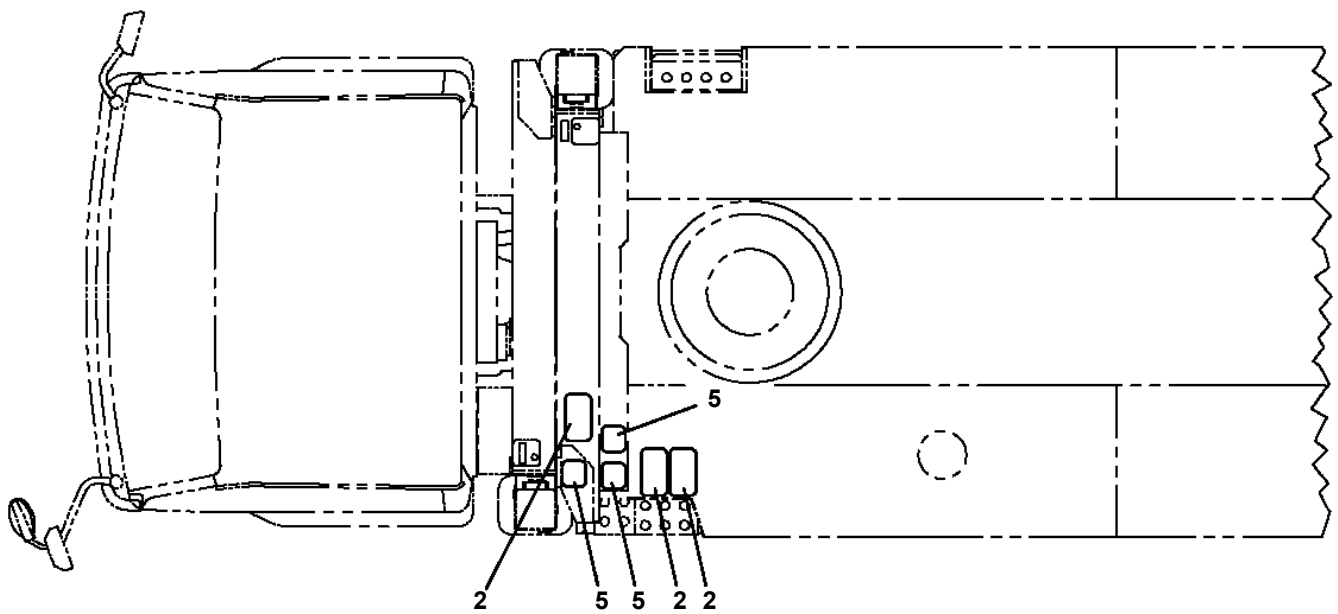
# AT-120S-2 42081232007 UPPER, LOWER, HINO TKG-XZU652F-TKFRC6

Pos No.	Parts No	Parts Name	Qty	Unit	Technical Data	Serial No (Start)	Serial No (End)
1	42651593400	SWITCH ASSY (WITH HARNESS,1 SW)	2				
2	82199514013	CAP	2				
3	82199504017	NUT	2		AT-401N		
11	42392583010	PLATE,NAME	2				
12	42943630070	PLATE,NAME	2				
13	42500045010	PLATE,CAUTION	2				
14	42475910010	PLATE,NAME	1				

AT-120S-2 42081232007 UPPER, LOWER, HINO TKG-XZU652F-TKFRC6  
PN5011475-00 NAME PLATE ASSY (YELLOW:NON-SLIP)



上部

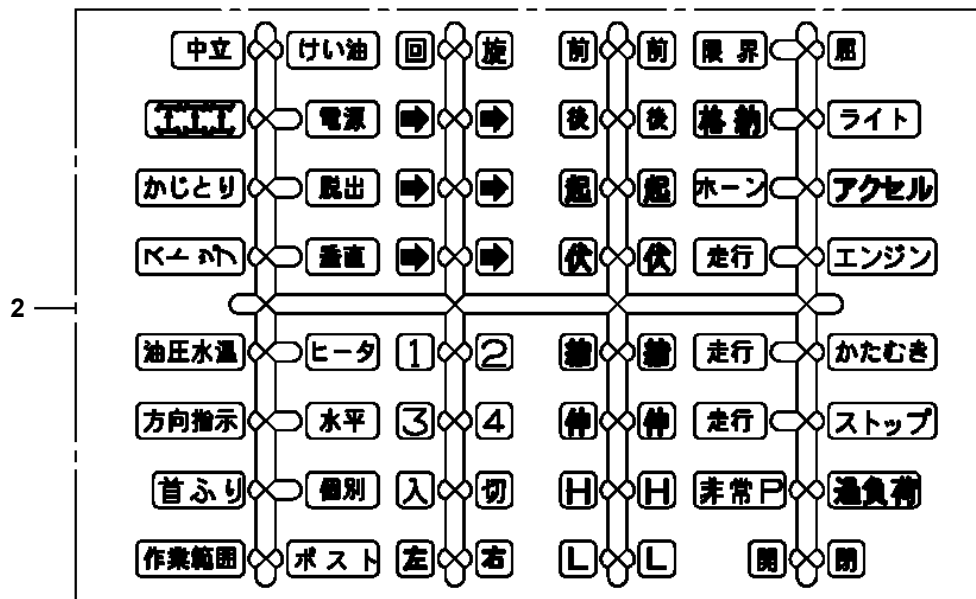
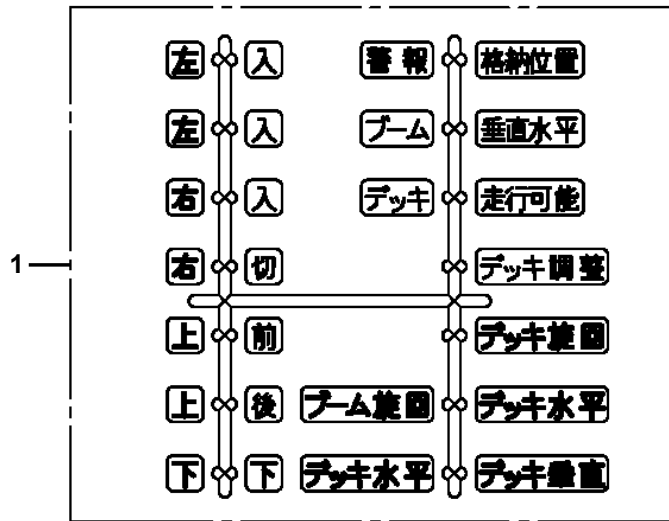
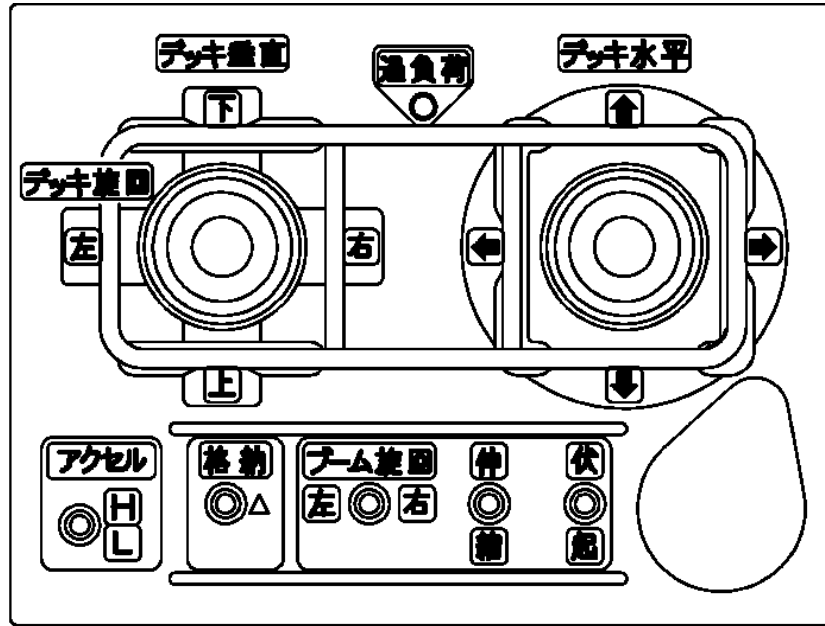


下部

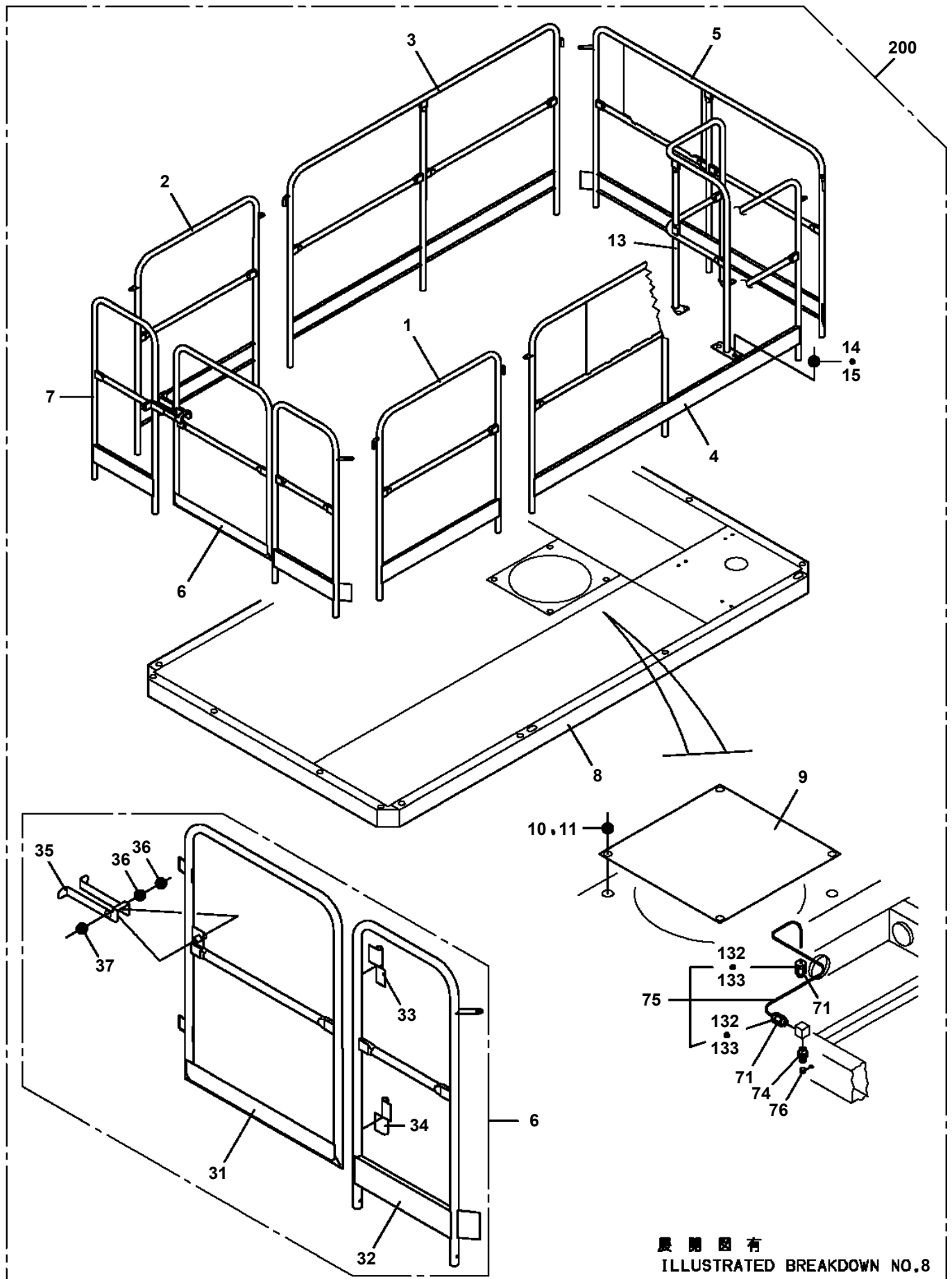
# AT-120S-2 42081232007 UPPER, LOWER, HINO TKG-XZU652F-TKFRC6

Pos No.	Parts No	Parts Name	Qty	Unit	Technical Data	Serial No (Start)	Serial No (End)	Remarks
1	42396051010	PLATE,NAME	1					
2	42396381010	PLATE,NAME	1					
3	42392330070	PLATE,NAME	2					
4	42393790020	PLATE,CAUTION	1					
5	42393390200	PLATE,CAUTION	1					
6	42396381040	PLATE,NAME	1					
7	42392350010	PLATE,CAUTION	2					
8	42392350150	PLATE,CAUTION	3				HA6905	
	42396680050	PLATE,CAUTION	3			HA6906		
9	37002221020	PLATE,CAUTION	2					
10	37002220410	PLATE,CAUTION	3					
11	42592422010	PLATE,NAME	1					
12	42396381020	PLATE,NAME	1					
13	42395650030	PLATE,NAME (AT-120SR)	1					
14	31642171550	PLATE,NAME	3					
15	42391701020	PLATE,NAME (AMC)	1					
16	42942152100	PLATE,CAUTION	1					
17	42394271120	PLATE,NAME (STOP)	1					
18	42396051070	PLATE,NAME	1					
19	42396051080	PLATE,CAUTION	1					
20	42391860100	PLATE,NAME	1					
21	42390960190	REFLECTOR (WHITE/RED)	2					
22	42391670050	REFLECTOR (WHITE/RED)	1					
23	42396051110	REFLECTOR	1					
24	42396051120	REFLECTOR	2					
25	42392584040	PLATE	3					
26	12117140000	PLATE,NAME (GREASE)	13					
27	44390880020	PLATE,NAME	2					
28	42396381050	PLATE,NAME	1					
29	42396051100	PLATE,CAUTION	1					
30	42396381030	PLATE,CAUTION	1					
31	37002226560	PLATE,NAME	1					
32	42942152070	PLATE,CAUTION	1					
33	42392672020	PLATE,CAUTION	1					
34	42394271310	PLATE,NAME (MARKING)	8					
35	37002221080	PLATE,CAUTION	1					
36	42395081120	PLATE,NAME	1					

AT-120S-2 42081232007 UPPER, LOWER, HINO TKG-XZU652F-TKFRC6  
 PO1013958-00 PLATE ASSY,NAME (BOX,OPERATION)



AT-120S-2 42081232007 UPPER, LOWER, HINO TKG-XZU652F-TKFR6  
 PP5270032-00 PLATFORM ASSY



展開図有  
 ILLUSTRATED BREAKDOWN NO.8

# AT-120S-2 42081232007 UPPER, LOWER, HINO TKG-XZU652F-TKFRC6

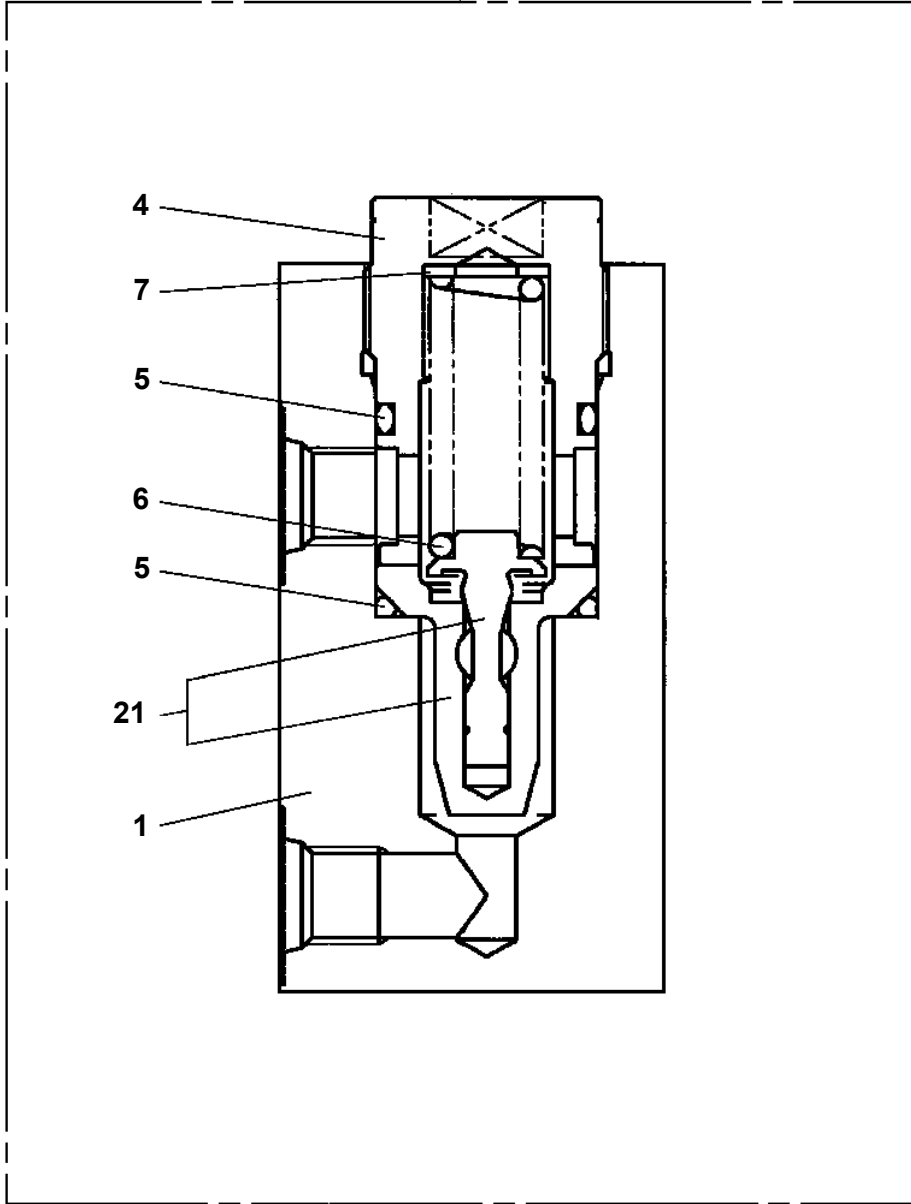
Pos No.	Parts No	Parts Name	Qty	Unit	Technical Data	Serial No (Start)	Serial No (End)	R
1	37002427140	HOSE	1		L=4390			
2	37002474610	HOSE	1		L=4710			
3	37002455130	HOSE	1		L=4750			
4	90101208060	BOLT	2		M8X60			
5	37000300740	SLEEVE	1		18-12			
6	37002479870	HOSE	1		L=5500			
7	37000300750	SLEEVE	1		18-15			
8	37002417350	HOSE	1		L=1060			
9	37002462440	HOSE	2		L=1300			
10	37002474590	HOSE	1		L=1160			
11	37002474600	HOSE	1		L=1110			
12	37002454160	HOSE	1		L=775			
13	37002459280	HOSE	1		L=1050			
14	37002471620	HOSE	1		L=870			
15	37002481390	HOSE	1		L=1100			
16	37002462640	HOSE	1		L=2850			
18	37002428060	HOSE	1		L=2800			
19	37002476170	HOSE	1		L=3100			
21	81408000290	PIPE,STEEL	1	M	22X2.5T			
22	81408000130	PIPE,STEEL	1	M	10X1.8T			
23	81408000160	PIPE,STEEL	1	M	12X1.4T			
24	81408000241	PIPE,STEEL	1	M	18X1.9T			
25	81408000290	PIPE,STEEL	2	M	22X2.5T			
26	81408000241	PIPE,STEEL	1	M	18X1.9T			
27	81408000160	PIPE,STEEL	1	M	12X1.4T			
28	80481302025	JOINT	6		L,G1/4-G1/4			
29	91002801100	O-RING	13		1B P11			
30	80430620400	JOINT	2					
31	37000921300	JOINT	2		S,PF1/4-PF1/4			
32	37000929850	JOINT	2		S,G1/4-G1/4			
33	80303010200	FITTING,ELBOW	1		KLA22-000N			
34	37000700540	CLAMP ASSY	2		22-18			
35	80320010180	FITTING	1		KUD22-060N			
36	80320010080	FITTING	1		KUD12-030N			
37	80320010140	FITTING	1		KUD18-040N			
38	80320030080	FITTING,ELBOW	1		KLE12-030N			
39	80320030140	FITTING,ELBOW	1		KLE18-040N			
40	37000714010	CLAMP ASSY	2		12X1			
41	37000714040	CLAMP ASSY	1		18X2			
42	37000711030	CLAMP ASSY	1		22X1			
43	37000924110	JOINT	1		S,G1/2-G1/2			
45	80430620600	JOINT (WITH O-RING)	1		L,G3/8-G3/8			
46	80430620800	JOINT	1					
47	80491304040	JOINT (WITH O-RING)	1					
48	91002801800	O-RING	1		1B P18			
49	42646441101	COVER	1		65XL=1900			
50	37000600450	CLAMP	2		R=38			
51	37000711260	CLAMP ASSY	1		25X2			
52	90101208025	BOLT	4		M8X25			
53	90201201000	NUT	5		M10			
54	90302040801	WASHER,SPRING	4		8			
55	90280200800	NUT,FLANGE	2		M8			
56	82100002019	CLAMP	3		WR40			
57	37000600700	CLAMP	24		12X3			
58	90280200600	NUT,FLANGE	20		M6			
59	82100002039	CLAMP	1					
61	82100001806	TUBE,CORRUGATE	2	M	22			
62	91810130250	FASTENER	20					
65	90171110130	BOLT	2		M10X130			
66	90302041001	WASHER,SPRING	2		10			
67	82100002014	CLAMP	1		WR20			
68	90186206016	BOLT,FLANGE	1		M6X16			
69	82100001803	TUBE,CORRUGATE	2	M	13			

# AT-120S-2 42081232007 UPPER, LOWER, HINO TKG-XZU652F-TKFRC6

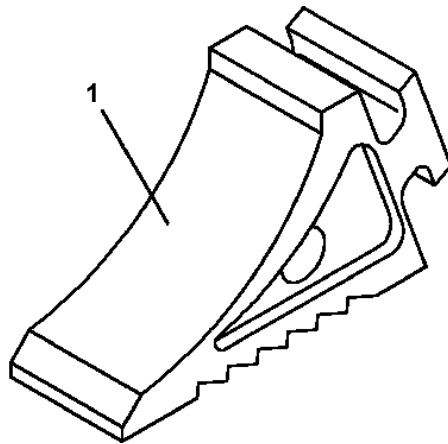
Pos No.	Parts No	Parts Name	Qty	Unit	Technical Data	Serial No (Start)	Serial No (End)	Remarks
2	90101210035	BOLT	4		M10X35			
3	90302041001	WASHER,SPRING	4		10			
5	90101208060	BOLT	3		M8X60			
6	90302040801	WASHER,SPRING	7		8			
8	90101208055	BOLT	2		M8X55			
10	90101208065	BOLT	2		M8X65			
12	80430620600	JOINT (WITH O-RING)	2		L,G3/8-G3/8			
13	37002436640	HOSE	1		L=570			
14	37002481550	HOSE	1		L=2250			
15	81408000160	PIPE,STEEL	1	M	12X1.4T			
17	80302090161	FITTING	2		KCO12-030N			
18	91002801400	O-RING	7		1B P14			
19	80400160128	JOINT	1		S,G3/8-G1/4			
22	37002478350	HOSE	1		L=1750			
23	37002472220	HOSE	1		L=1830			
24	37002413200	HOSE	1		L=680			
26	37000714560	CLAMP ASSY	1		14X2,18X2,10X1			
27	37000714140	CLAMP ASSY	1		18X3			
28	82100001413	TUBE,SPIRAL	6	M	SE-15BK			
30	37002479070	HOSE	1		L=1680			
31	37002479080	HOSE	1		L=2250			
32	80305131202	FITTING,TEE	1		T G1/4-12-12			
34	37000908730	JOINT (WITH O-RING)	1		L,G3/8-G1/4			
35	37002479090	HOSE	1		L=1550			
36	37002473090	HOSE	1		L=2200			
37	37002478360	HOSE	1		L=2400			
	37012409050	HOSE	1		L=2450	HA6833	HA6832	
38	37002479100	HOSE	1		L=800			
39	91810130240	FASTENER	25					
40	37000713790	CLAMP ASSY	1		10X2,18X2,14X1			
41	37002417610	HOSE	1		L=530			
42	37002479110	HOSE	1		L=900			
43	91002801800	O-RING	4		1B P18			
44	80316070080	PLUG	2		PF1/2			
45	42343190700	JOINT	2					
46	37000300740	SLEEVE	1		18-12			
47	80400160131	JOINT	2					
49	80400160127	JOINT	1					
50	91002801100	O-RING	2		1B P11			
51	37002457820	HOSE	1		L=1250			
52	42344410400	JOINT	1					
53	80321112000	VALVE,CHECK	2					
54	37002475070	HOSE	1		L=1400 TO 1350			
56	80303130141	FITTING,ELBOW	1		KLO12-020E			
57	81408000160	PIPE,STEEL	1	M	12X1.4T			
58	81408000160	PIPE,STEEL	1	M	12X1.4T			
59	81408000160	PIPE,STEEL	1	M	12X1.4T			
60	80400160129	JOINT	2					
61	37002471690	HOSE	1		L=2120			
62	90303071001	WASHER,PLAIN	4		10			
63	37000568300	PLATE	1					
64	91810130270	FASTENER	3					
65	37002478340	HOSE	1		L=2220			
68	81408000160	PIPE,STEEL	1	M	12X1.4T			
69	82100001803	TUBE,CORRUGATE	1	M	13			
70	82100001805	TUBE,CORRUGATE	2	M	19			
91	36641740000	VALVE,CONTROL	1					
92	80400160130	JOINT	3		S,G1/2-G3/8			
93	37000912910	JOINT	3		G1/2,G3/8			
94	91002801800	O-RING	9		1B P18			
95	37000925660	JOINT	1		S,G3/4-G1/2			
96	80430620800	JOINT	1					
98	80400160132	JOINT	1					

AT-120S-2 42081232007 UPPER, LOWER, HINO TKG-XZU652F-TKFRC6  
PV5140025-00 VALVE ASSY,RELIEF

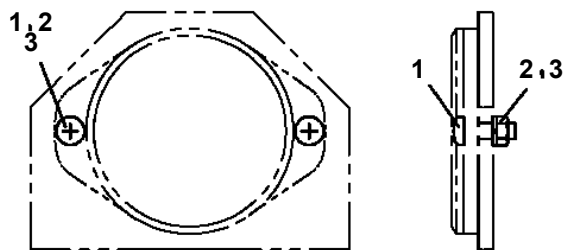
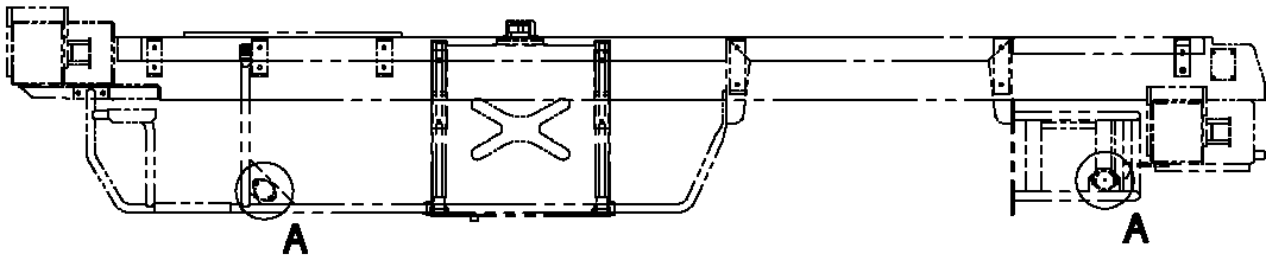
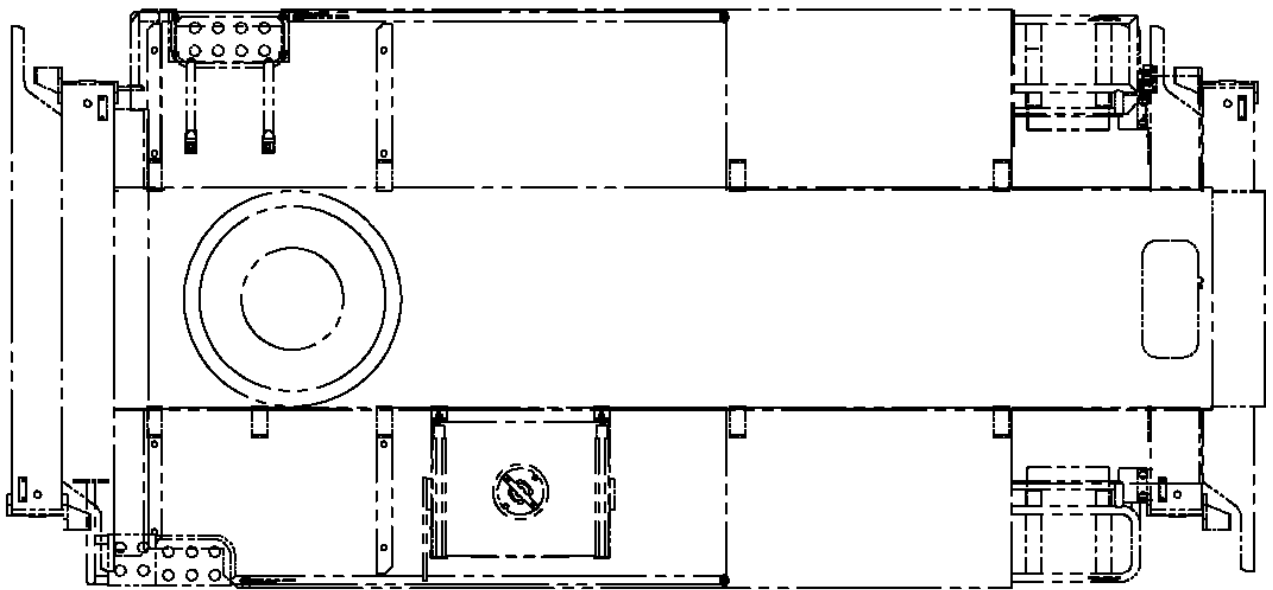
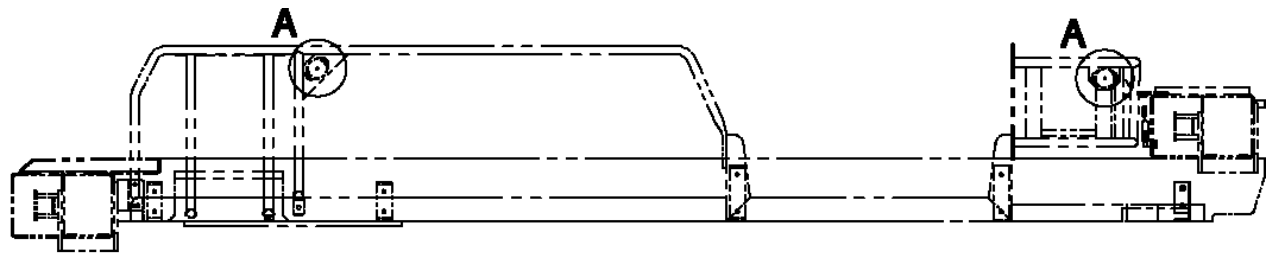
100



**AT-120S-2 42081232007 UPPER, LOWER, HINO TKG-XZU652F-TKFRC6  
PW1050018-01 WEDGE (STOPPER FOR TIRE/JUSTIN)**

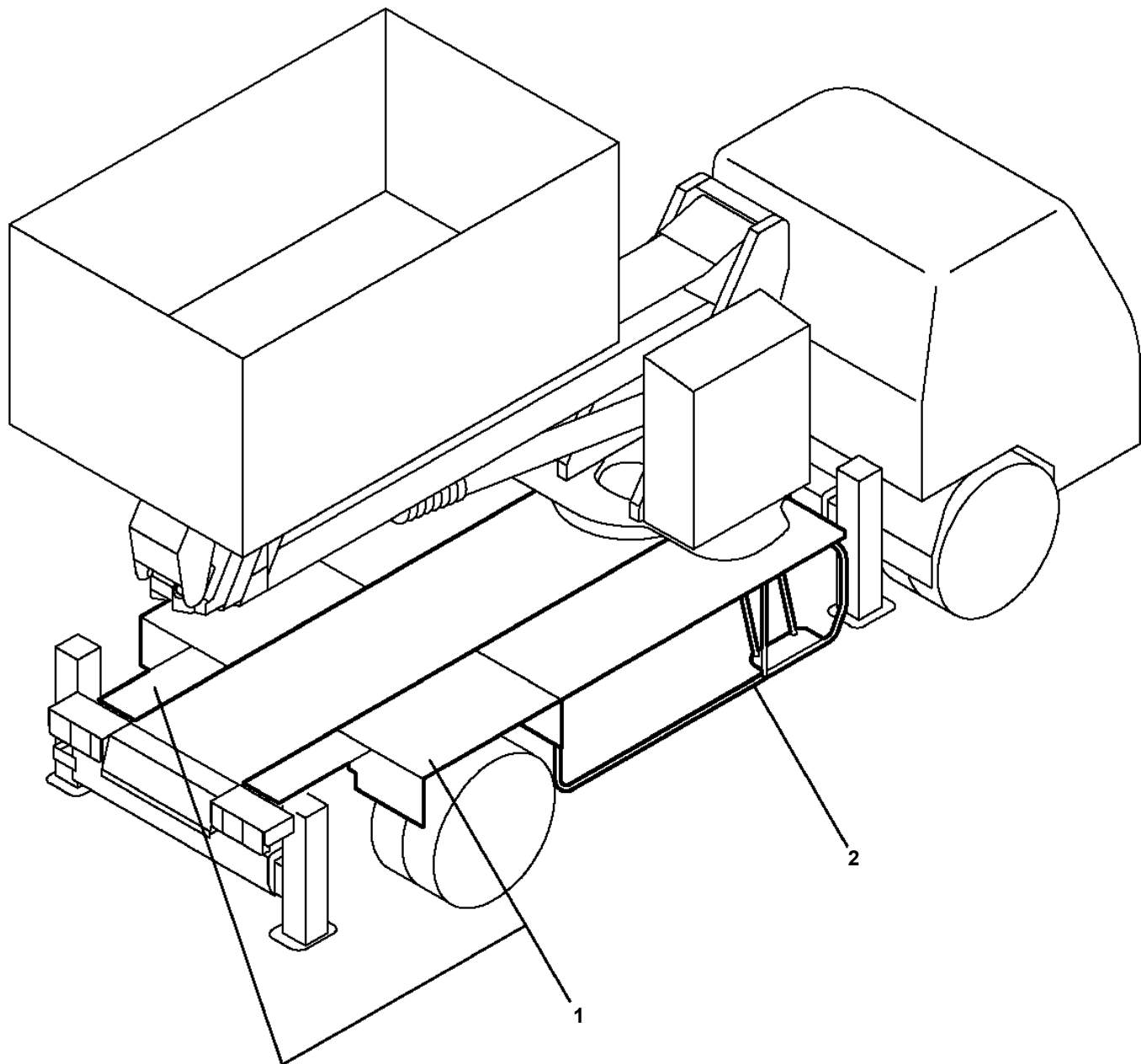


AT-120S-2 42081232007 UPPER, LOWER, HINO TKG-XZU652F-TKFR6  
PX1360074-00 REFLECTOR (SIDE)

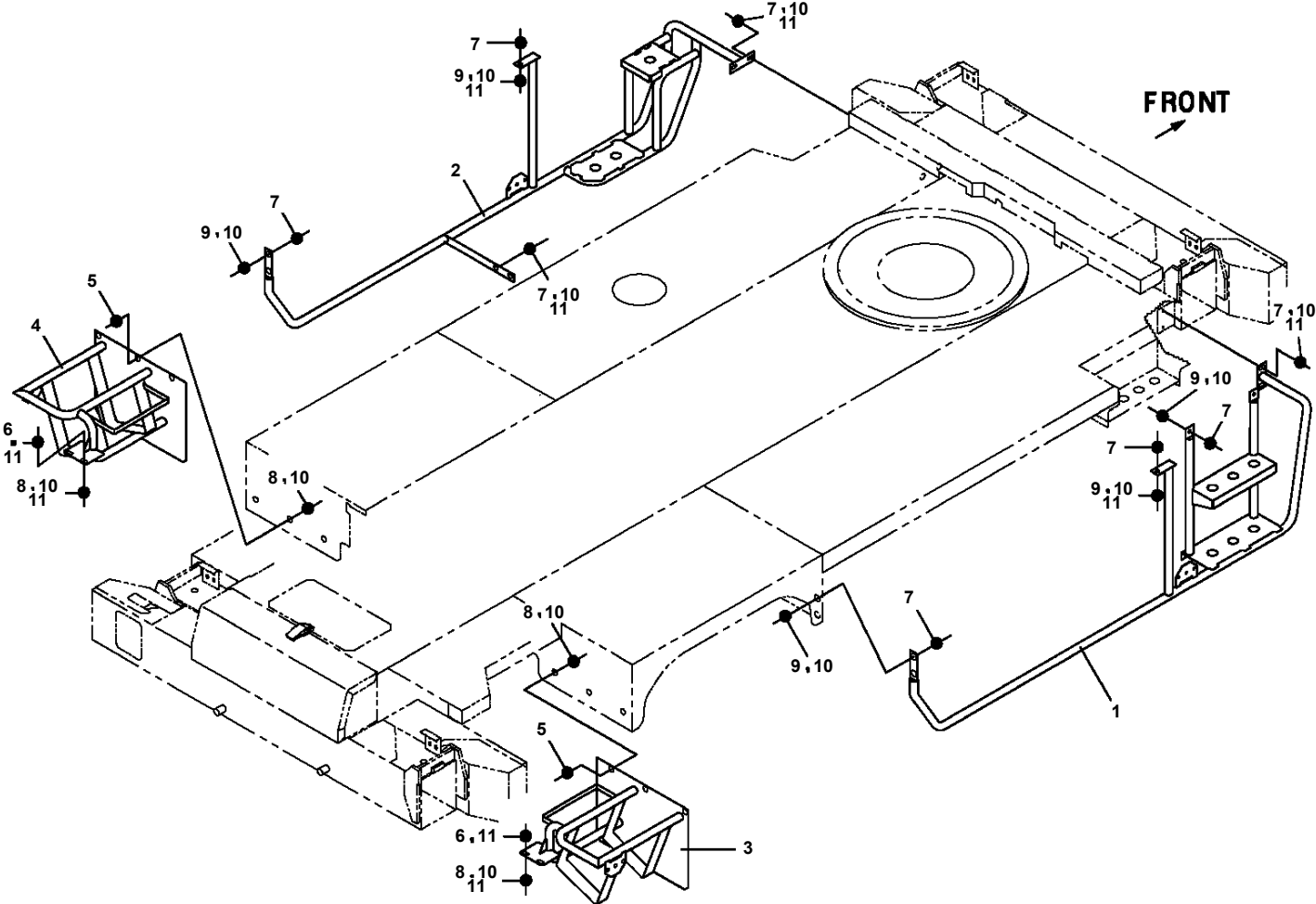


A

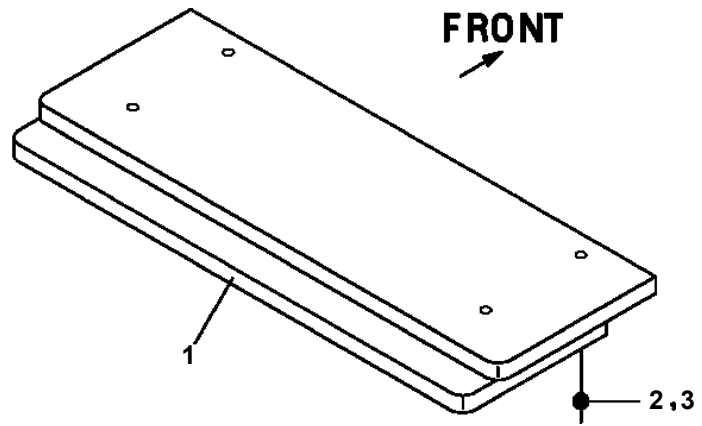
**AT-120S-2 42081232007 UPPER, LOWER, HINO TKG-XZU652F-TKFRC6  
PX3000804-00 MOUNTING UNIT**



AT-120S-2 42081232007 UPPER, LOWER, HINO TKG-XZU652F-TKFRC6  
PX5650029-00 MOUNT ASSY,SIDE GUARD



AT-120S-2 42081232007 UPPER, LOWER, HINO TKG-XZU652F-TKFRC6  
PX5820041-00 MOUNT ASSY,WEIGHT



# AT-120S-2 42081232007 UPPER, LOWER, HINO TKG-XZU652F-TKFRC6

Pos No.	Parts No	Parts Name	Qty	Unit	Technical Data	Serial No (Start)	Serial No (End)
1	(*****)	ELEC.ASSY (PLATFORM/EXHAUST,2009)	1				
2	(*****)	ELEC.ASSY (CARRIER)	1				

CLICK HERE TO **DOWNLOAD** THE COMPLETE MANUAL

- Thank you very much for reading the preview of the manual.
- You can download the complete manual from: [www.heydownloads.com](http://www.heydownloads.com) by clicking the link below



- Please note: If there is no response to CLICKING the link, please download this PDF first and then click on it.

CLICK HERE TO **DOWNLOAD** THE COMPLETE MANUAL