

AT-120S-1 42081100010 UPPER

**PB1000565-00 HYDRAULIC PRESSURE GENERATING SYSTEM
PC1000477-00 OUTRIGGER SYSTEM
PD1000510-00 SWING SYSTEM
PE1000512-00 ELEVATING SYSTEM
PG1000465-00 TELESCOPING SYSTEM
PH1000472-00 SAFETY DEVICES
PJ3000202-00 PLATFORM
PK1000527-00 FRAME
PL1000535-00 CONTROL DEVICES
PN1000132-02 ELECTRIC EQUIPMENT
PO1000131-03 INDICATION PLATES
PW1000118-00 ACCESSORIES & TOOLS
PX1000600-00 MOUNTING PARTS
PY1000554-04 OPTIONS
ASSEMBLY**

CLICK HERE TO **DOWNLOAD** THE COMPLETE MANUAL

- Thank you very much for reading the preview of the manual.
- You can download the complete manual from: www.heydownloads.com by clicking the link below



- Please note: If there is no response to CLICKING the link, please download this PDF first and then click on it.

CLICK HERE TO **DOWNLOAD** THE COMPLETE MANUAL

AT-120S-1 42081100010 UPPER

Pos No.	Parts No	Parts Name	Qty	Unit	Technical Data	Serial No (Start)	Serial No (End)	Remarks	P
1	(*****)	BOOM	1						0
2	(*****)	CYLINDER,TELESCOPING	1						0

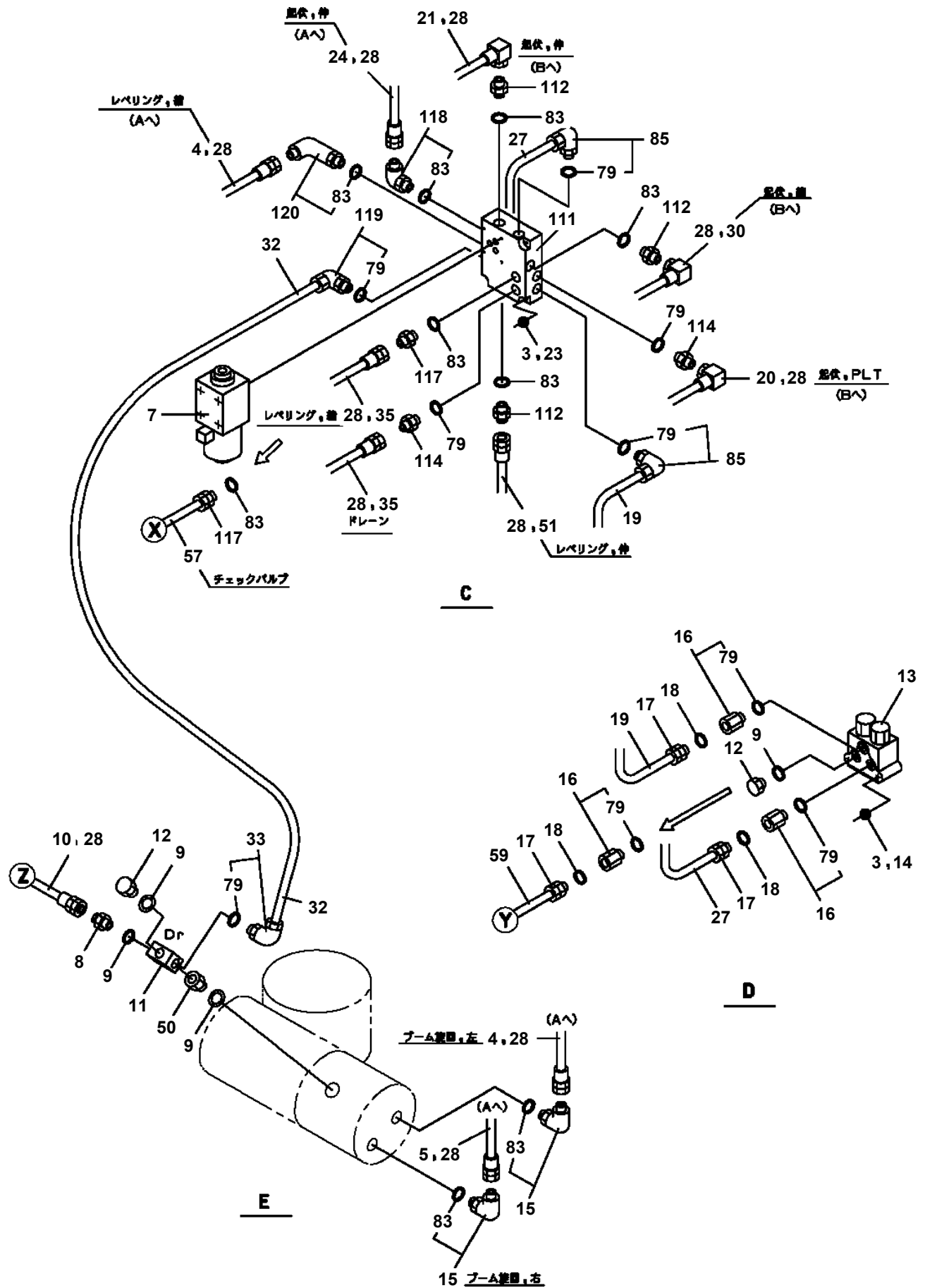
AT-120S-1 42081100010 UPPER

Pos No.	Parts No	Parts Name	Qty	Unit	Technical Data	Serial No (Start)	Serial No (End)	Remarks
1	(*****)	ELEC.ASSY (BOOM)	1					
2	(*****)	ELEC.ASSY (DETECTOR)	1					
3	(*****)	ELEC.ASSY (PLATFORM)	1					
4	(*****)	ELEC.ASSY (SWING FRAME)	1					
5	(*****)	ELEC.ASSY (FRAME)	1					

AT-120S-1 42081100010 UPPER

PK1010702-00 FRAME
PK1100371-00 SWING FRAME
PK1200336-01 COVER,SWING FRAME
PL1100193-08 BOX,OPERATION
PL1250022-01 VALVE,CONTROL
PM5230001-01 MOTOR,OIL
PN1011679-03 ELEC.ASSY (POWER SOURCE, UPPER,3.3/2.5M)
PN1012313-01 ELEC.ASSY (DETECTOR)
PN1012315-02 ELEC.ASSY (SWING FRAME)
PN1012793-01 ELEC.ASSY (BOOM)
PN1012894-05 ELEC.ASSY (FRAME)
PN1012895-00 ELEC.ASSY (PLATFORM)
PN1012908-01 ELEC.ASSY (POWER SOURCE,LOWER)
PN1013100-01 ELEC.ASSY
PN1013101-01 ELEC.ASSY
PN1060086-05 SWITCH PANEL
PN1110287-01 RELAY
PO1012868-00 PLATE ASSY,NAME (BOX,OPERATION)
PO1013697-01 PLATE ASSY,NAME
PO1014010-01 PLATE ASSY,NAME (UPPER)
PO1080033-01 PLATE,NAME (WORKING RANGE)
PO1080034-01 PLATE,NAME (OUTRIGGER INDICATOR)
PP5450004-00 PUMP,GREASE (400CC)
PS5530449-00 SWITCH ASSY
PW1010235-04 ACCESSORIES
PW1030049-01 TOOLS
PW1050018-01 WEDGE (STOPPER FOR TIRE/JUSTIN)
PW5110002-00 WEDGE (STOPPER FOR TIRE/WAZUMI)
PW5110003-00 WEDGE (STOPPER FOR TIRE/NAKAMURA KIKI)
PX1260144-01 STEP (SWING FRAME)
PX1260146-00 STEP (BOOM)
PY1090001-00 BELT,SAFETY
PY1180265-01 LAMP (2.5M DECK)
PY1910021-00 HOSE (FOR GREASE PUMP)
PY1930004-00 BLOCK,RUBBER (WAZUMI)
PY1930005-00 BLOCK,RUBBER (NAKAMURA)

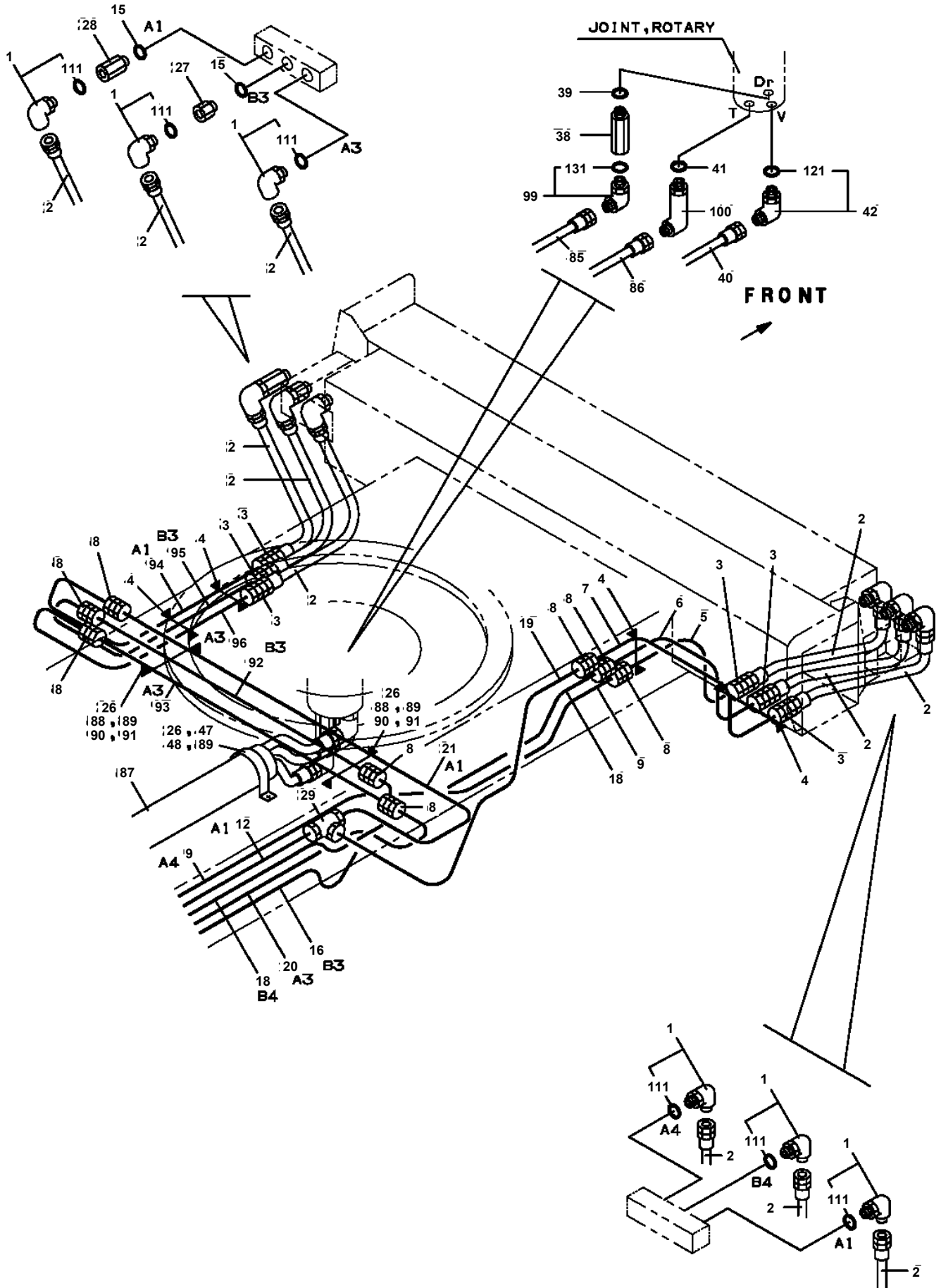
AT-120S-1 42081100010 UPPER
PB1400299-04 PIPING, HYDRAULIC UPPER



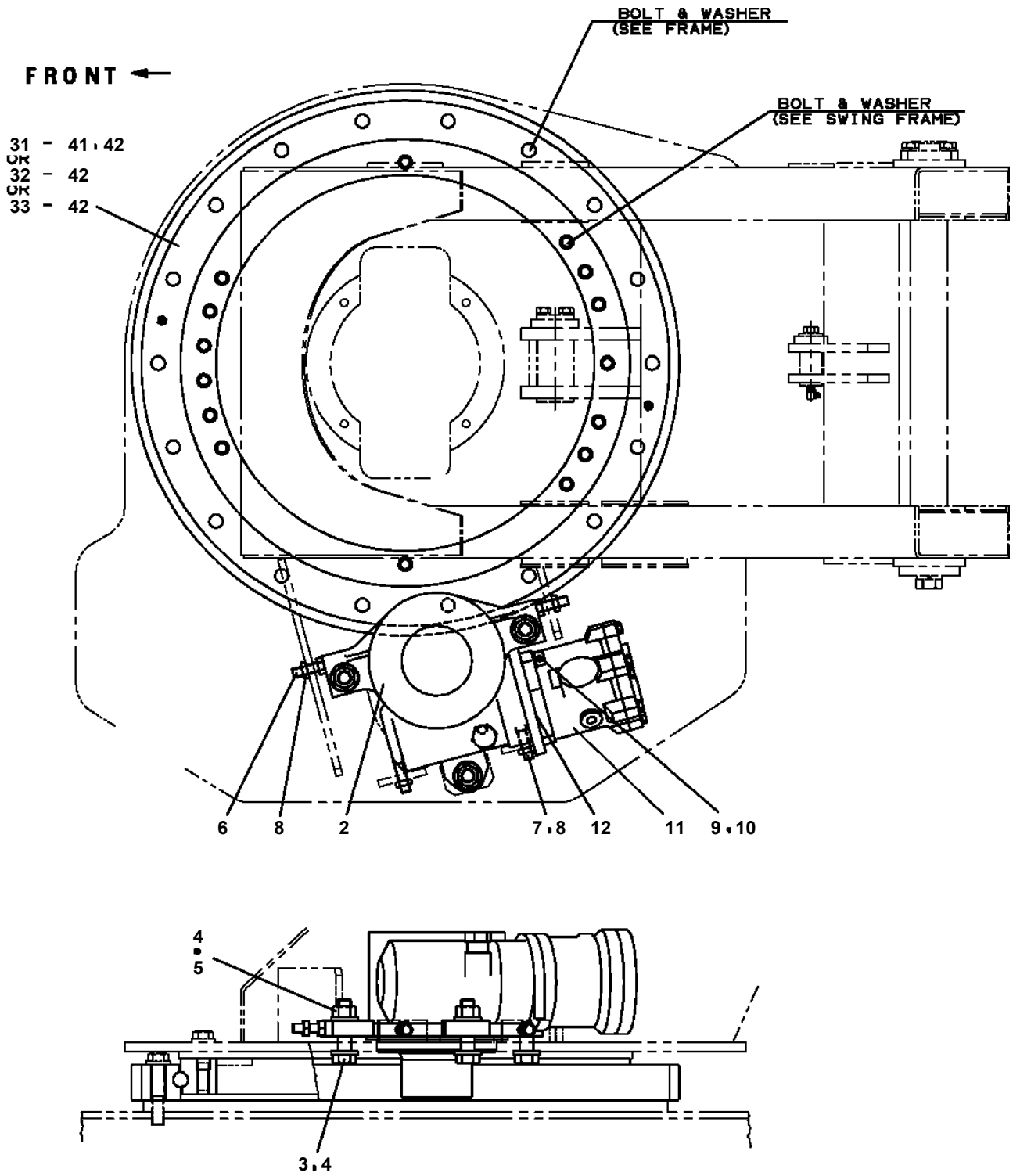
AT-120S-1 42081100010 UPPER

Pos No.	Parts No	Parts Name	Qty	Unit	Technical Data	Serial No (Start)	Serial No (End)	Remarks
1	90201202400	NUT	1		M24			
2	90302042401	WASHER,SPRING	1		24			
3	91684006000	PACKING	2					
4	91431205001	RING,BACKUP	2					
5	91002802100	O-RING	1		1B P21			
6	91302206000	BEARING,PLAIN	2					
7	36030590060	PISTON	1					
8	36035090200	ROD	1					
9	36035090100	CYLINDER	1					
10	91002905500	O-RING	1		1B G55			
11	91694004000	PACKING	1					
12	91410204001	RING,BACKUP	1					
13	91660004001	SEAL,DUST	1					
14	36032910030	COVER,ROD	1					
30	36034289901	PACKING SET	1		40X60			
100	36035090000	CYLINDER,JACK (REAR)	1					

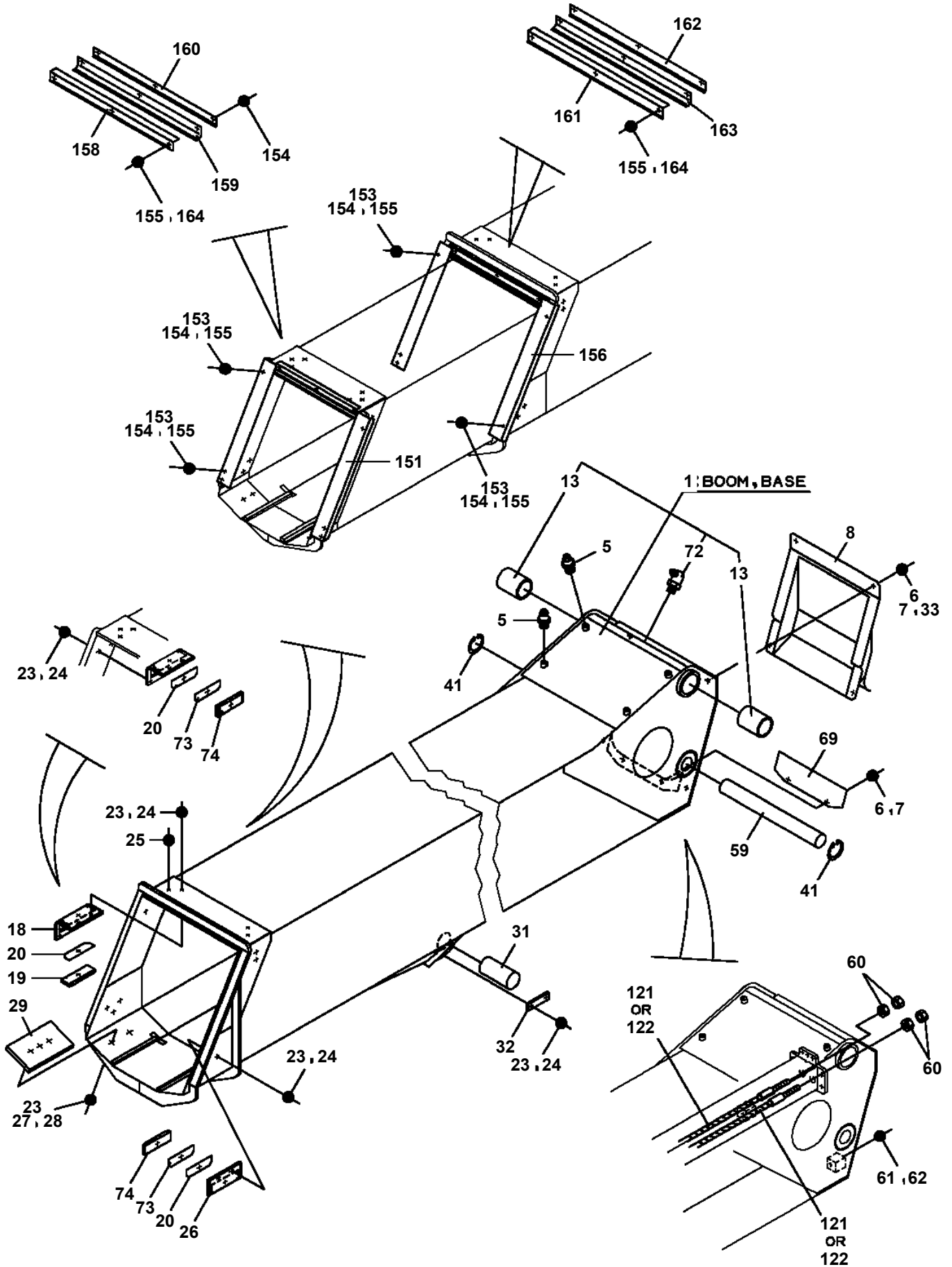
**AT-120S-1 42081100010 UPPER
PC1200461-02 PIPING,OUTRIGGER**



AT-120S-1 42081100010 UPPER
PD1020021-01 SWING UNIT

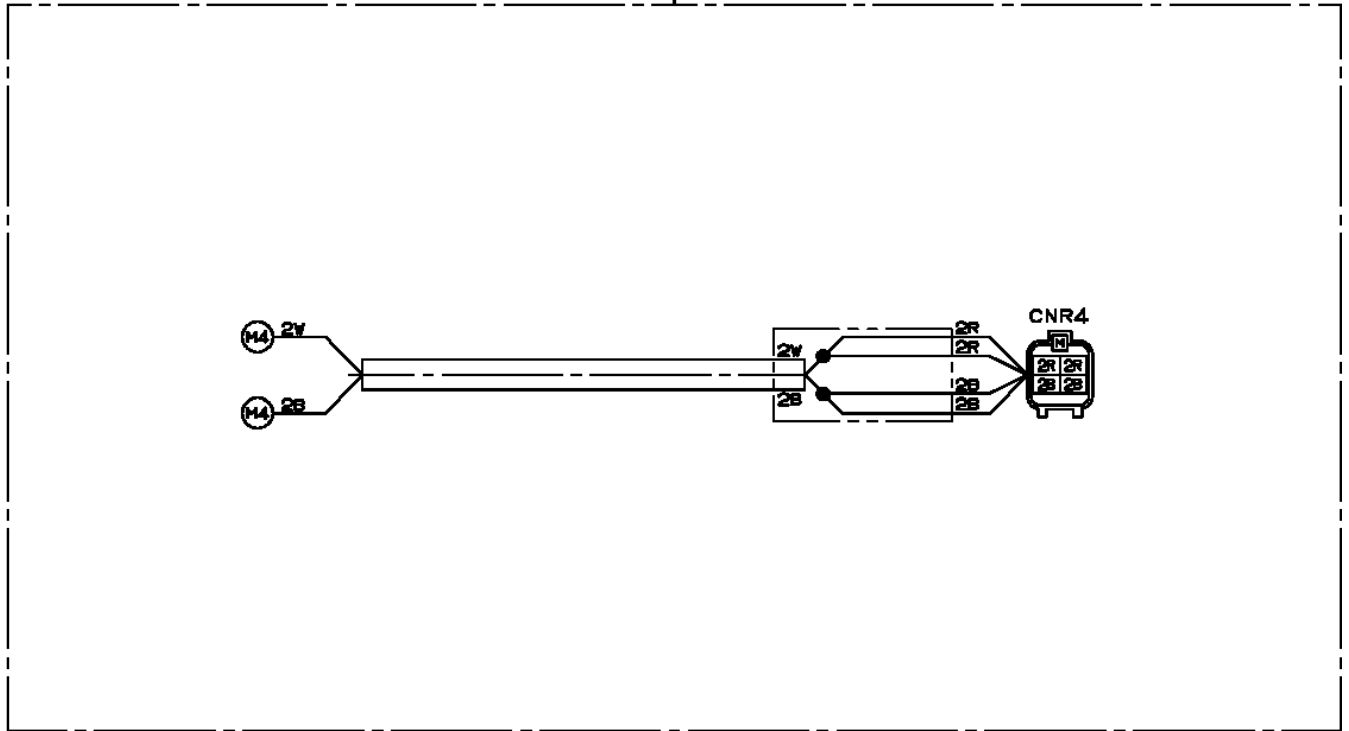


**AT-120S-1 42081100010 UPPER
PG1010622-04 BOOM**



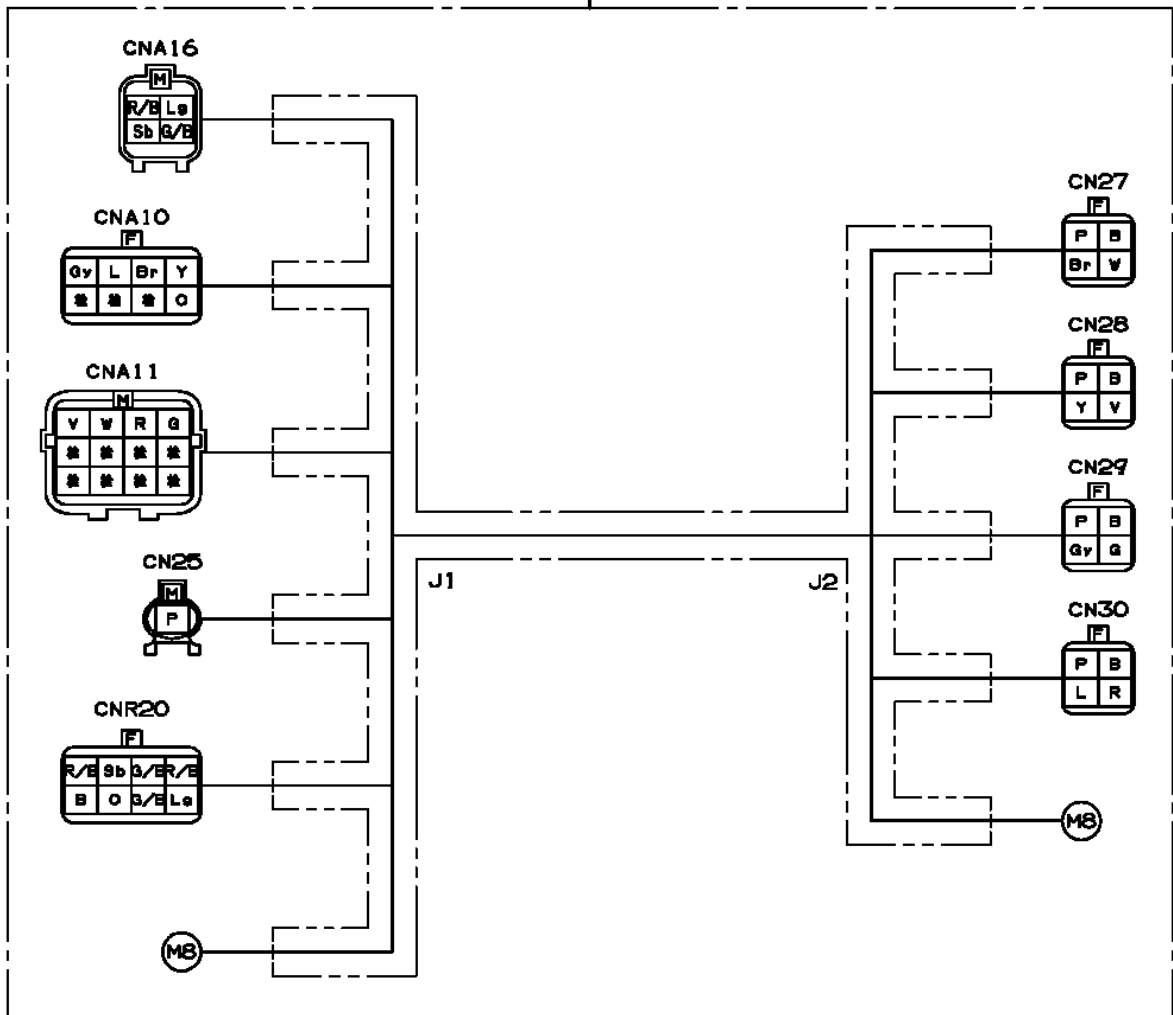
AT-120S-1 42081100010 UPPER
PH5032995-00 HARNESS

100



AT-120S-1 42081100010 UPPER
PH5033136-00 HARNESS

100



CLICK HERE TO **DOWNLOAD** THE COMPLETE MANUAL

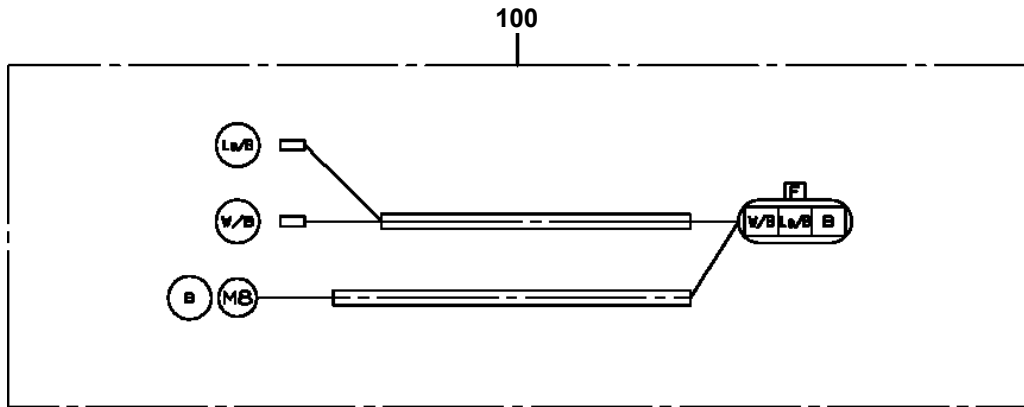
- Thank you very much for reading the preview of the manual.
- You can download the complete manual from: www.heydownloads.com by clicking the link below



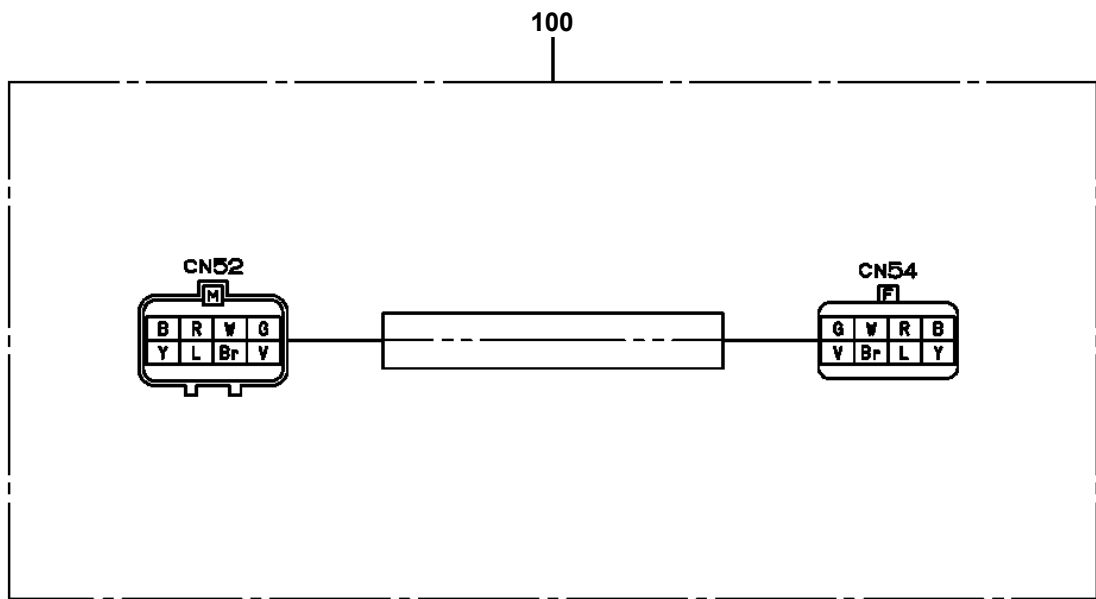
- Please note: If there is no response to CLICKING the link, please download this PDF first and then click on it.

CLICK HERE TO **DOWNLOAD** THE COMPLETE MANUAL

AT-120S-1 42081100010 UPPER
PH5033147-00 HARNESS



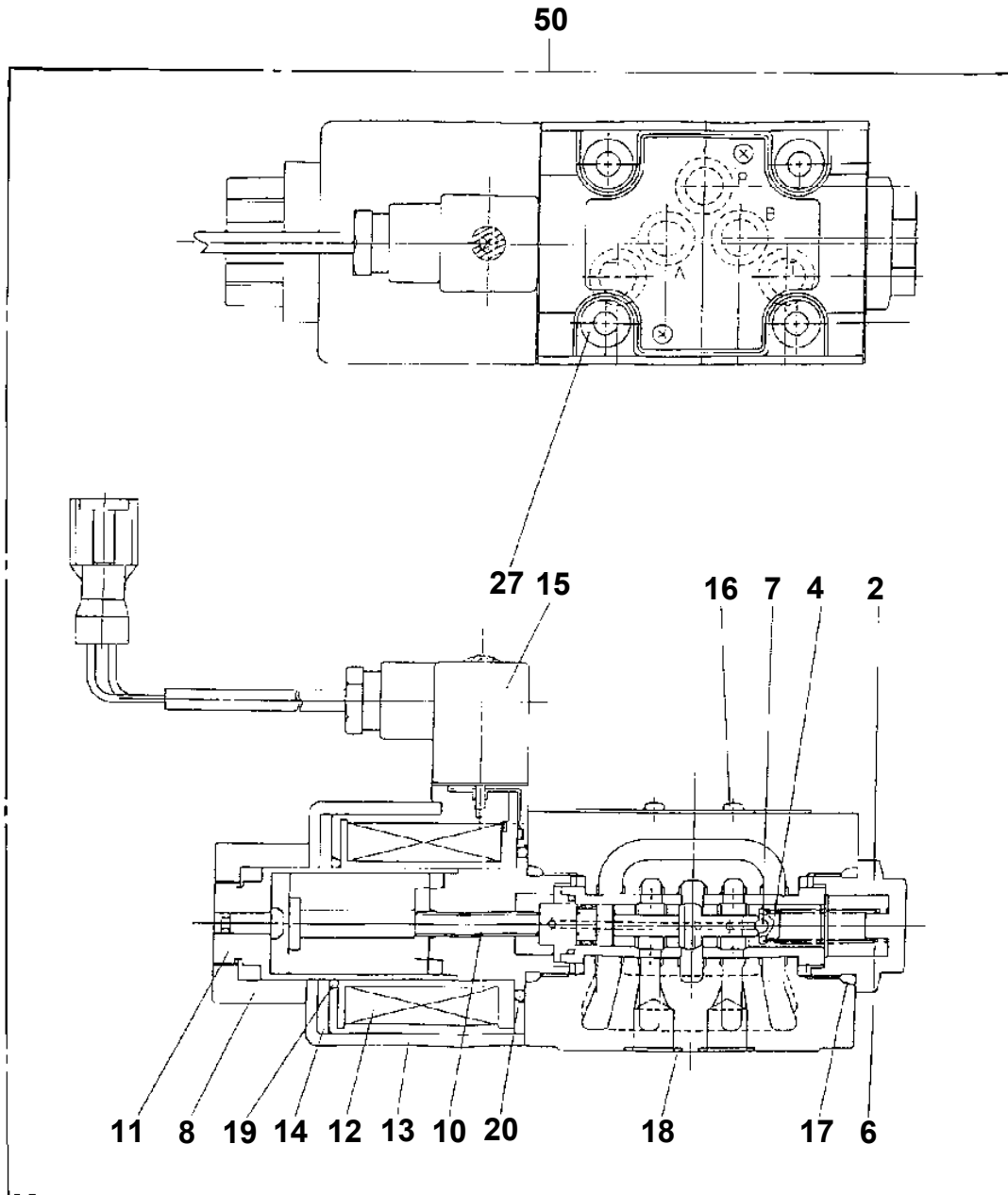
**AT-120S-1 42081100010 UPPER
PH5034309-00 HARNESS (100V POWER SUPPLY)**



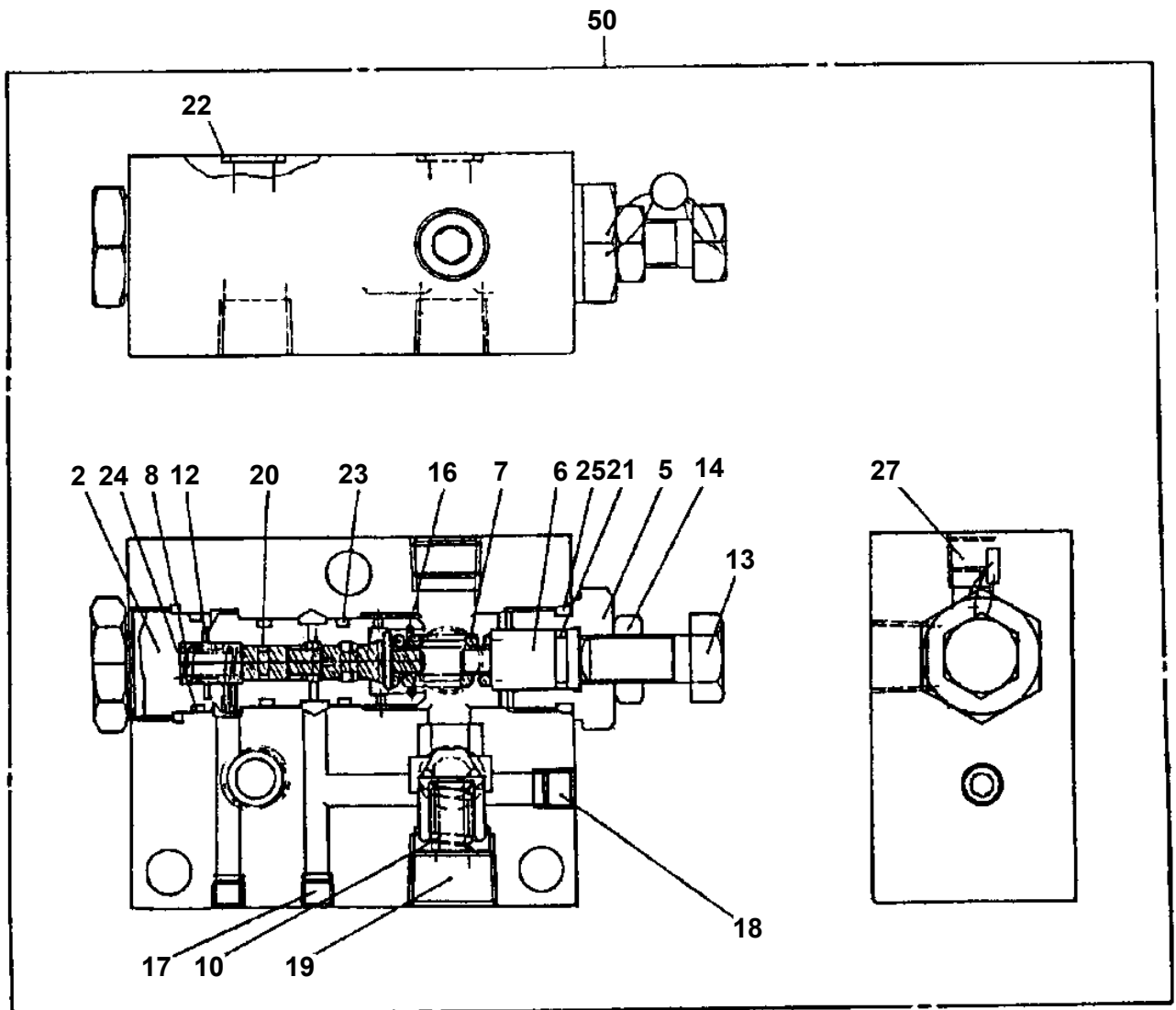
**AT-120S-1 42081100010 UPPER
PI1120183-00 VALVE, SOLENOID**

Assembly Name VALVE, SOLENOID

11112-0105-00



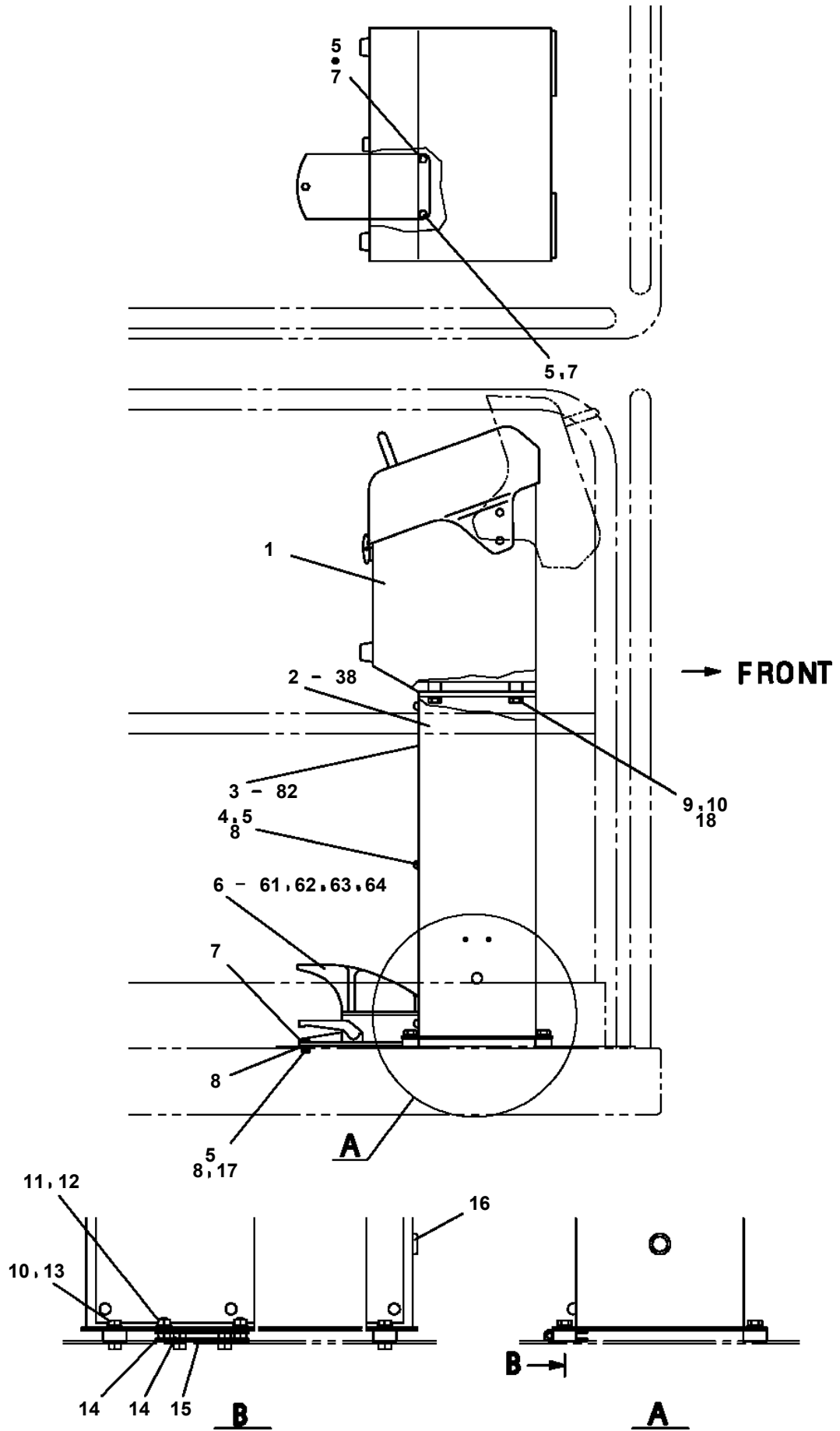
AT-120S-1 42081100010 UPPER
PI1250039-00 VALVE,COUNTERBALANCE



AT-120S-1 42081100010 UPPER

Pos No.	Parts No	Parts Name	Qty	Unit	Technical Data	Serial No (Start)	Serial No (End)	Remarks	Pages
1	90101210014	BOLT	4		M10X14				
2	90302041001	WASHER,SPRING	4		10				
3	31300030010	COVER	1						
4	31300030050	COVER	1						

**AT-120S-1 42081100010 UPPER
PJ3180004-03 OPE.ASSY,PLATFORM**



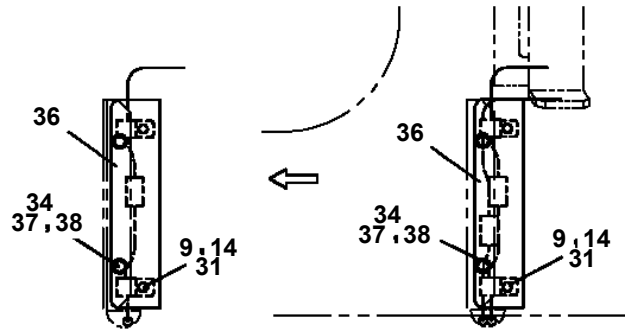
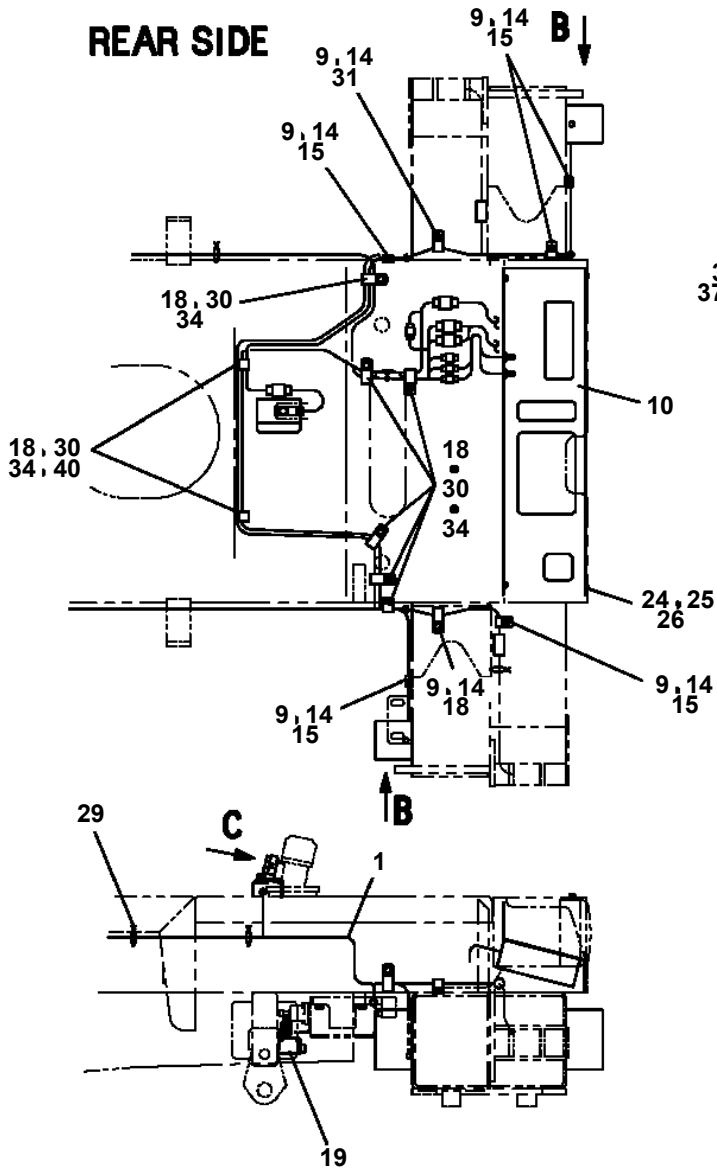
AT-120S-1 42081100010 UPPER

Pos No.	Parts No	Parts Name	Qty	Unit	Technical Data	Serial No (Start)	Serial No (End)	Remarks	Pages
1	42271591000	COVER	1						
2	90101208018	BOLT	6		M8X18				
3	90302040801	WASHER,SPRING	11		8				
4	37000547660	PLATE	8		T=2.3				
5	90101208025	BOLT	5		M8X25				
6	42270480020	COVER	1						
7	42270480030	COVER	1						
8	90101206014	BOLT	6		M6X14				
9	90302040601	WASHER,SPRING	6		6				
10	37000512320	PLATE	6						
11	90303070801	WASHER,PLAIN	2		8				
31	42271591101	COVER	1						
32	42271301200	COVER	1						
33	42271301300	COVER	1						
34	90101206012	BOLT	18		M6X12				
35	90302040601	WASHER,SPRING	18		6				
36	42271591300	COVER	1						
37	42271301800	COVER	1						
38	82464105902	HINGE	2						
39	80175804010	SCREW,MACHINE	20		M4X10				
40	90302510401	WASHER,SPRING	18		4				
41	90201500400	NUT	18		M4				
42	82400000370	CATCH	2						
43	42271301950	SUPPORT	1						
52	82400000200	GROMMET	1		KG-012,L=250				

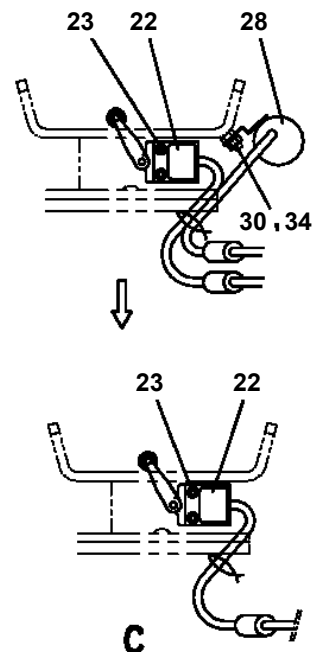
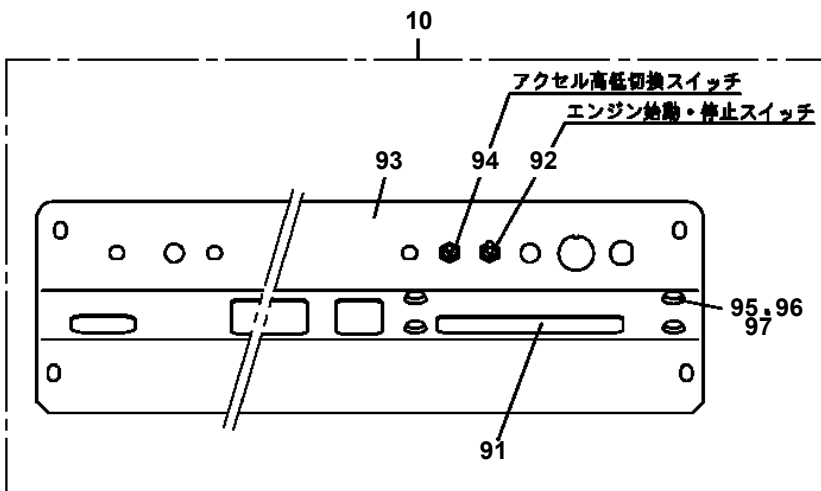
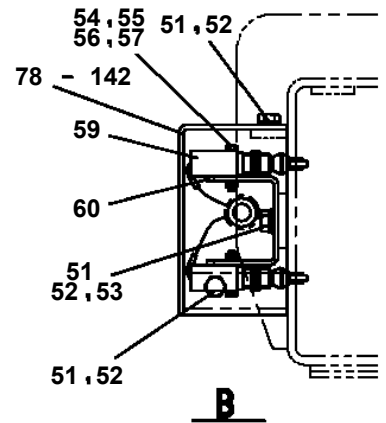
AT-120S-1 42081100010 UPPER

Pos No.	Parts No	Parts Name	Qty	Unit	Technical Data	Serial No (Start)	Serial No (End)	Remarks
1	42475391100	HARNESS	1					
2	91810130240	FASTENER	6					
3	82119422100	CONNECTOR	1					
4	42391620400	PLATE,NAME (100V OUTLET)	1					
5	90201200400	NUT	2		M4			
6	80175304020	SCREW,MACHINE	2		M4X20			
7	90302040401	WASHER,SPRING	2		4			

**AT-120S-1 42081100010 UPPER
PN1012894-05 ELEC.ASSY (FRAME)**



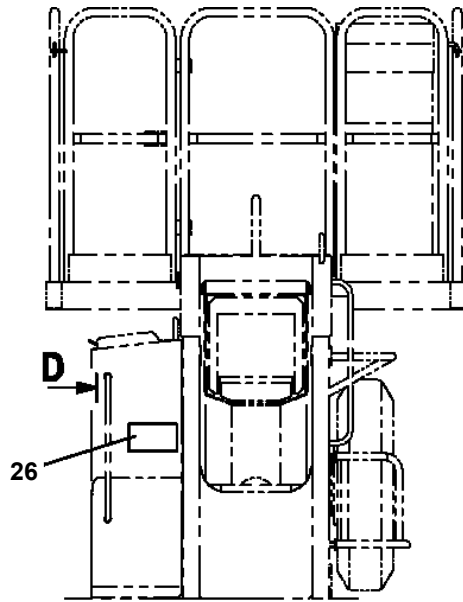
フレーム上面配線



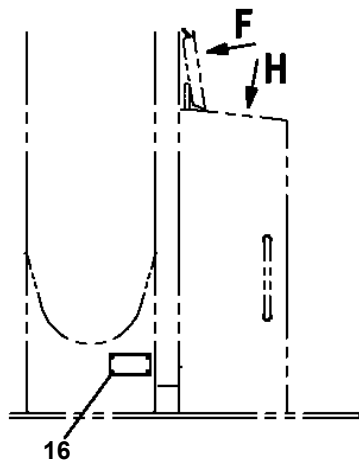
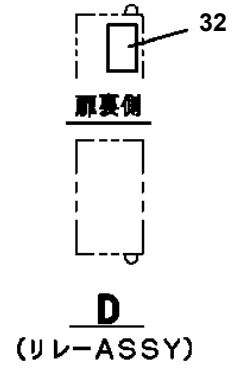
AT-120S-1 42081100010 UPPER

Pos No.	Parts No	Parts Name	Qty	Unit	Technical Data	Serial No (Start)	Serial No (End)	Rem
1	42500004100	SUPPORT	1					
2	42500004010	COVER	1					
3	42476331200	SWITCH ASSY	1					
4	90101206012	BOLT	2		M6X12			
5	90302040601	WASHER,SPRING	2		6			
6	82400000203	GROMMET	1		L=250			
7	42500004020	HARNESS	1					
8	82400000200	GROMMET	1		KG-012,L=250			
16	82197518114	CAP (MATSUSHITA/BLACK)	1					
	82197518119	CAP (PLUS ONE MFG./BLACK)	1					

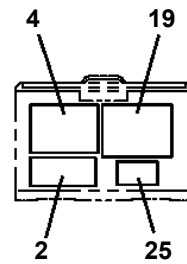
AT-120S-1 42081100010 UPPER
 PO1014010-01 PLATE ASSY,NAME (UPPER)



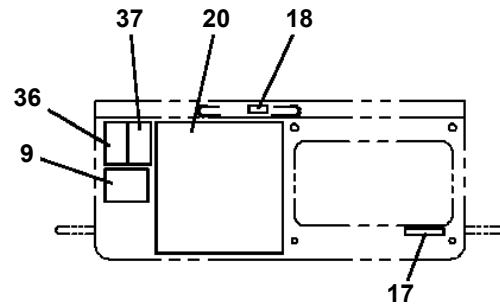
C



E



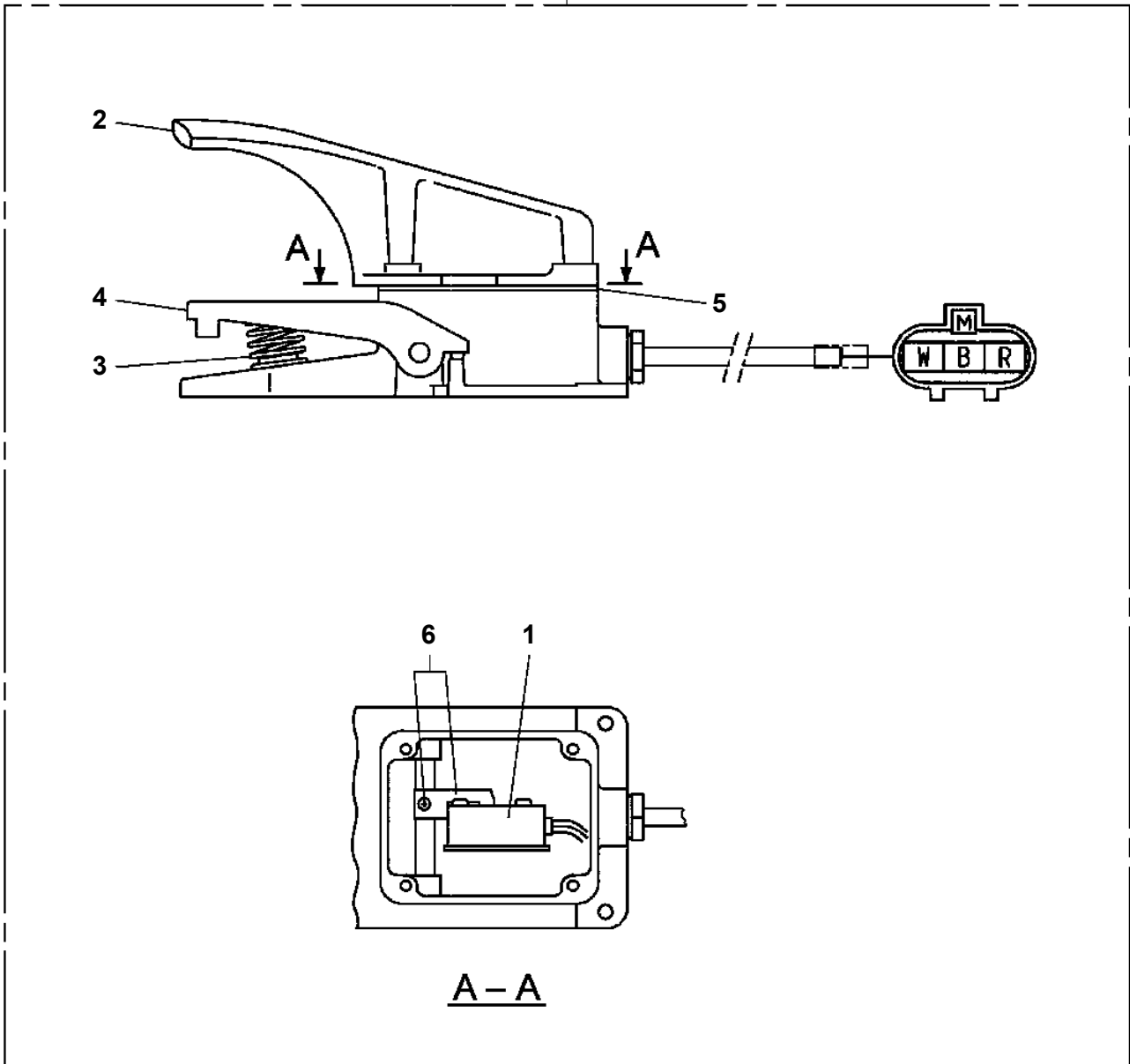
F



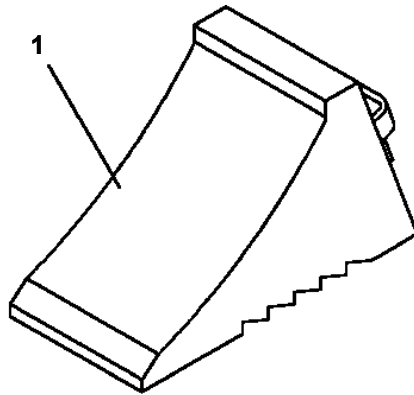
H

AT-120S-1 42081100010 UPPER
PS5530449-00 SWITCH ASSY

100



**AT-120S-1 42081100010 UPPER
PW5110003-00 WEDGE (STOPPER FOR TIRE/NAKAMURA KIKI)**



CLICK HERE TO **DOWNLOAD** THE COMPLETE MANUAL

- Thank you very much for reading the preview of the manual.
- You can download the complete manual from: www.heydownloads.com by clicking the link below



- Please note: If there is no response to CLICKING the link, please download this PDF first and then click on it.

CLICK HERE TO **DOWNLOAD** THE COMPLETE MANUAL