

AT-120-1 42024140400 LOWER,ISUZU U-NKR66E2N 5HX

PX1000559-01 MOUNTING PARTS

PY1000702-00 OPTIONS,1

PY1000708-00 OPTIONS,2

PY1000711-00 OPTIONS,3

ASSEMBLY

CLICK HERE TO **DOWNLOAD** THE COMPLETE MANUAL

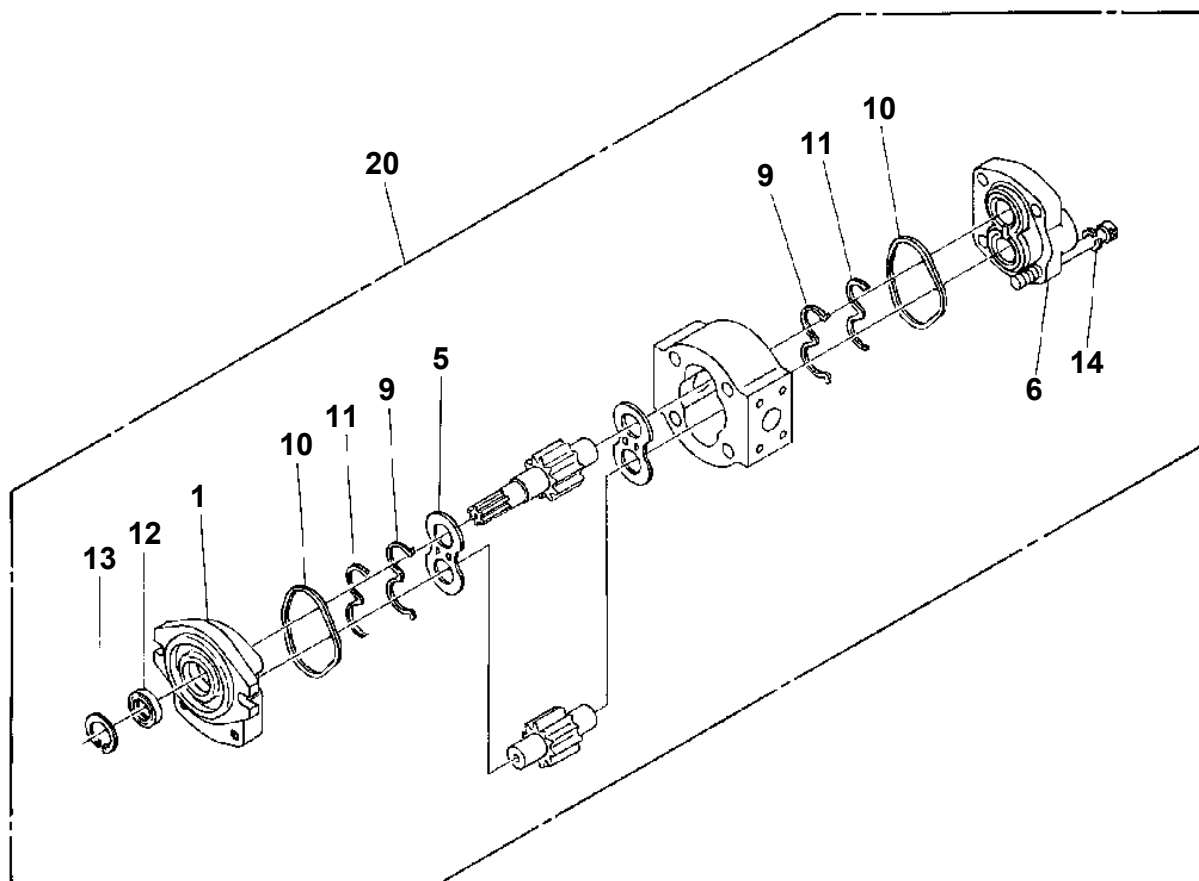
- Thank you very much for reading the preview of the manual.
- You can download the complete manual from: www.heydownloads.com by clicking the link below



- Please note: If there is no response to CLICKING the link, please download this PDF first and then click on it.

CLICK HERE TO **DOWNLOAD** THE COMPLETE MANUAL

AT-120-1 42024140400 LOWER,ISUZU U-NKR66E2N 5HX
PB1100006-00 PUMP, HYDRAULIC



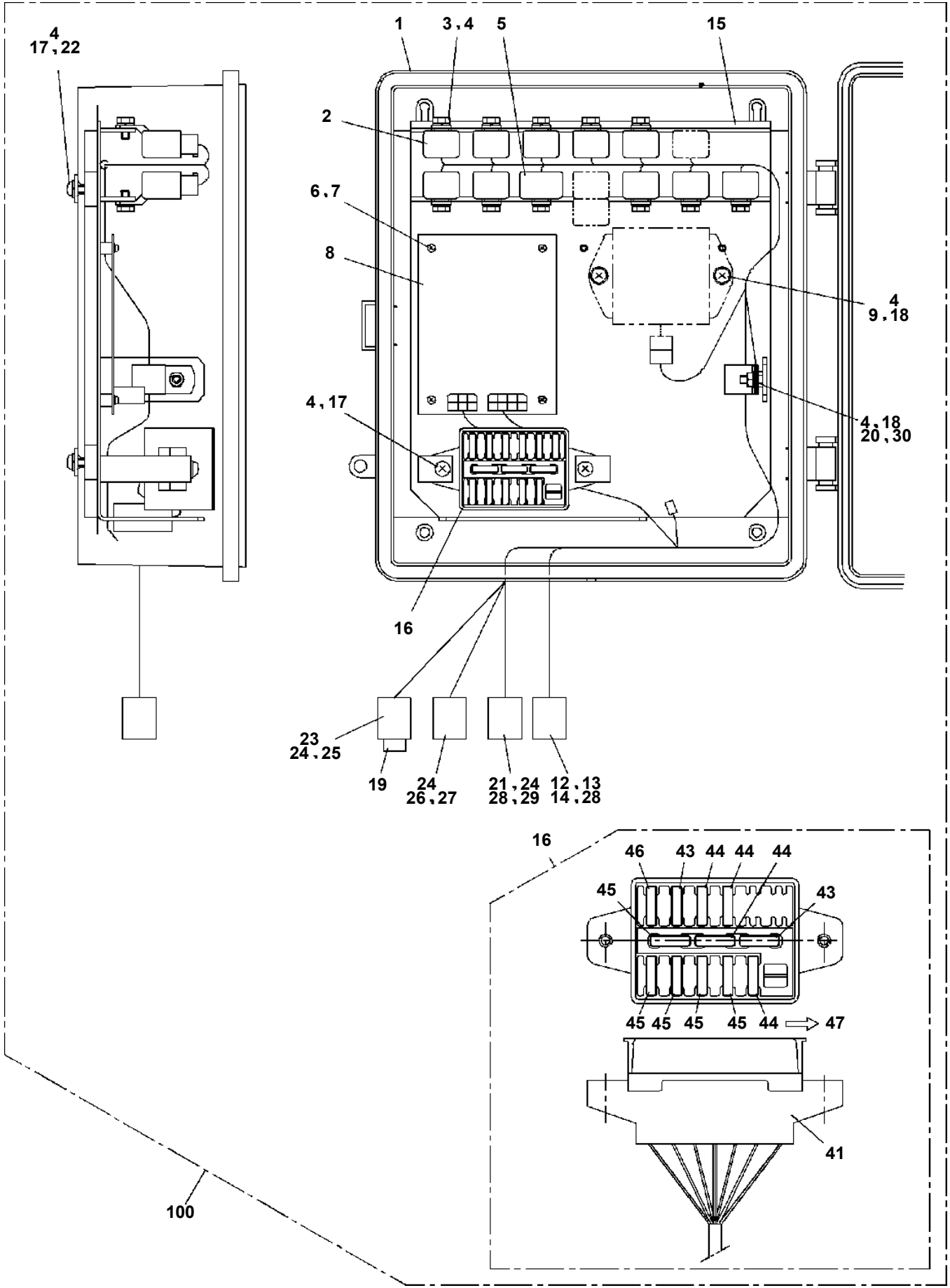
AT-120-1 42024140400 LOWER,ISUZU U-NKR66E2N 5HX

Pos No.	Parts No	Parts Name	Qty	Unit	Technical Data	Serial No (Start)	Serial No (End)	Remarks
1	91803700380	CLIP	12					
2	37002507000	HOSE	2		L=300			
3	37002503560	HOSE	1		L=200			
4	91801300300	CLIP	4		D=27-30			
5	42640150060	JOINT	1					
6	91002801400	O-RING	1		1B P14			
7	37002509030	HOSE	1		L=560			
8	90101210060	BOLT	4		M10X60			
9	90302041001	WASHER,SPRING	12		10			
10	91002903000	O-RING	2		1B G30			
11	42640910330	FITTING,FLANGE	1					
12	90101210030	BOLT	6		M10X30			
13	42641080200	FITTING,FLANGE	1					
14	37000913300	JOINT	1				587040	
	31921573500	JOINT	1			587041		
15	42642660010	SUPPORT	1					
16	36670100000	FILTER,OIL (YAMASHIN)	1				587040	
	36672280000	FILTER,OIL (YAMASHIN)	1			587041		
17	42641080300	JOINT	1				587040	
	42642660200	JOINT	1			587041		
18	42641080100	JOINT	1					
19	37002501170	HOSE	1		L=315			
20	91801300150	CLIP	4		D=13-15			
21	37000917480	JOINT	1		S G1/4-G3/8			
22	90201201000	NUT	2		M10			
23	90303071001	WASHER,PLAIN	2		10			
24	90101210016	BOLT	2		M10X16			
25	90101208016	BOLT	2		M8X16			
26	90302040801	WASHER,SPRING	2		8			
27	42642661000	JOINT ASSY	1					
28	37002422470	HOSE	1		L=550			
29	37002402920	HOSE	1		L=500			
30	91002801100	O-RING	1		1B P11			
31	91002802900	O-RING	2		1B P29	587041		
41	80430620800	JOINT	1					
42	42642661100	JOINT	1					
43	80430620600	JOINT (WITH O-RING)	1		L,G3/8-G3/8			
44	80302090241	FITTING	1		KCO18-040N			
45	91002801800	O-RING	2		1B P18			
46	81408000241	PIPE,STEEL	2	M	18X1.9T			
47	36622030000	VALVE,CHECK	1					
48	80320010140	FITTING	1		KUD18-040N			
49	42642541000	SWITCH ASSY	1					
61	82109902020	SWITCH,THERMO	1					
71	91002801400	O-RING	1		1B P14			

AT-120-1 42024140400 LOWER,ISUZU U-NKR66E2N 5HX

Pos No.	Parts No	Parts Name	Qty	Unit	Technical Data	Serial No (Start)	Serial No (End)	Remarks	Page
2	42711740020	HARNES	1						
3	80182306010	SCREW,MACHINE	4		M6X10				
4	90302040601	WASHER,SPRING	4		6		586633		
	90302040601	WASHER,SPRING	6		6	586634			
5	42712310100	SUPPORT	1						
6	37001702070	CABLE,CONTROL	1		L=1320				
7	37000112370	PIN	1						
9	90302040801	WASHER,SPRING	2		8		586633		
	90302040801	WASHER,SPRING	3		8	586634			
10	90101208012	BOLT	2		M8X12				
11	42712310010	SUPPORT	1				586746		
12	42710500300	SUPPORT	1						
13	90303070601	WASHER,PLAIN	1		6				
14	80136320012	PIN,SPLIT	1		2X12				
15	91810130240	FASTENER	2						
16	82100001801	TUBE,CORRUGATE	1	M	7				
17	42712310300	SUPPORT	1						
19	90101208025	BOLT	1		M8X25	586634			
20	90201200800	NUT	1		M8	586634			
21	90101206014	BOLT	2		M6X14	586634			
22	90201200600	NUT	1		M6	586634			
23	42712310400	PLATE	1			586634			
24	37000516100	PLATE	1			586634			
25	82100002006	CLAMP	2		WR10	586634			
26	42712310020	SUPPORT	1			586747			
41	42710200010	CASE	1						
42	42710013001	SOLENOID ASSY	1						
43	37000112850	PIN	2						
44	90303070401	WASHER,PLAIN	2		4				
45	80136316010	PIN,SPLIT	2		1.6X10				
46	37000105720	PIN	1						
47	90303070601	WASHER,PLAIN	1		6				
48	80136320010	PIN,SPLIT	1		2X10				
51	42710040110	BOLT	1			586542			
52	90201200800	NUT	3		M8		586541		
	90201200800	NUT	4		M8	586542			
53	16311103000	SPRING	1			586542			
54	90190208030	BOLT	2		M8X30				
55	42710010280	LINK	1						
56	42710010270	COVER	1						
57	80192484008	SCREW,MACHINE	4		M4X8				
58	80172303008	SCREW,MACHINE	8		M3X8				
59	90302040301	WASHER,SPRING	8		3				
61	82100001706	SOLENOID	2		12V				
79	90101208012	BOLT	1		M8X12		586541		

**AT-120-1 42024140400 LOWER,ISUZU U-NKR66E2N 5HX
PN1110182-01 RELAY ASSY (BOX)**



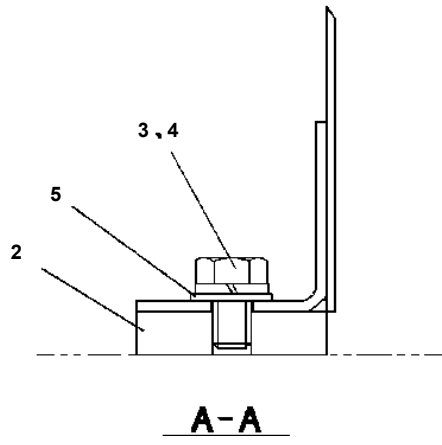
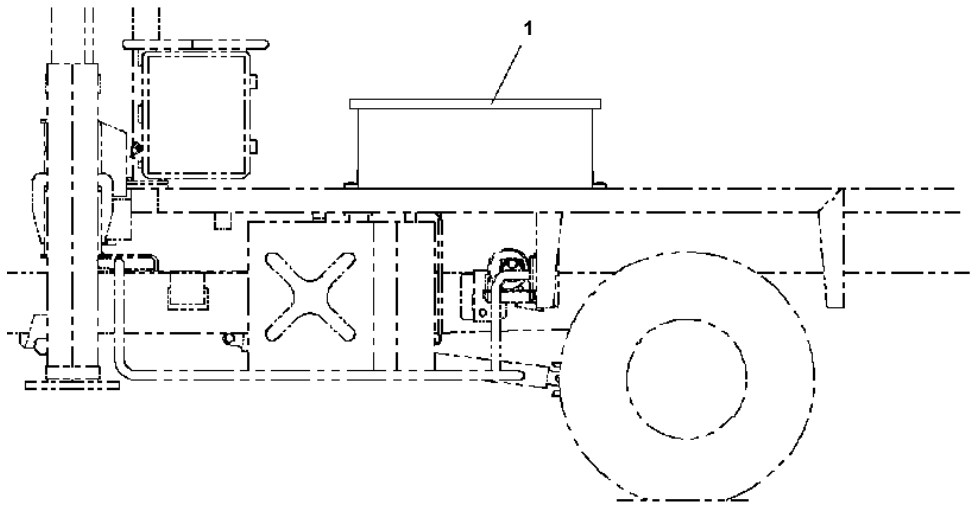
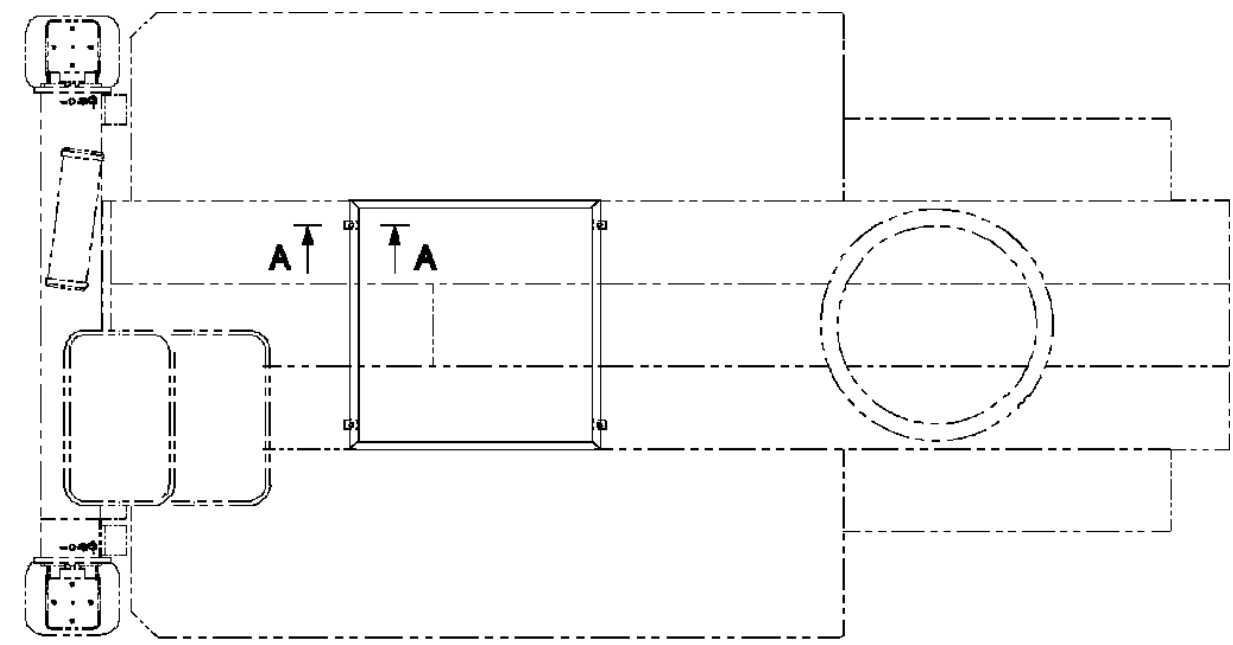
AT-120-1 42024140400 LOWER,ISUZU U-NKR66E2N 5HX

Pos No.	Parts No	Parts Name	Qty	Unit	Technical Data	Serial No (Start)	Serial No (End)	Remarks	Pages
1	42460012000	WEDGE	1						

AT-120-1 42024140400 LOWER,ISUZU U-NKR66E2N 5HX

Pos No.	Parts No	Parts Name	Qty	Unit	Technical Data	Serial No (Start)	Serial No (End)	Remarks	Pages
1	37000555660	SUPPORT	1						
2	90101208012	BOLT	4		M8X12				
3	90302040801	WASHER,SPRING	4		8				
4	42771420200	GUARD,SIDE	1				586968		
	42771420210	GUARD,SIDE	1			586969			
5	90101210030	BOLT	4		M10X30				
6	90201201000	NUT	10		M10				
7	90302041001	WASHER,SPRING	10		10		586968		
	90302041001	WASHER,SPRING	18		10	586969			
8	90101210025	BOLT	6		M10X25		586968		
	90101210025	BOLT	10		M10X25	586969			
9	42771420300	GUARD,SIDE	1				586968		
	42771420310	GUARD,SIDE	1			586969			
10	37000555280	SUPPORT	1						
11	42771420400	GUARD,SIDE	1				586968		
	42771420410	GUARD,SIDE	1			586969			
12	42771420500	GUARD,SIDE	1				586968		
	42771420510	GUARD,SIDE	1			586969			
13	90303071001	WASHER,PLAIN	14		10	586969			
14	90101210020	BOLT	4		M10X20	586969			
21	42771420210	GUARD,SIDE	1				586968		
22	90101210018	BOLT	4		M10X18		586968		
23	90302041001	WASHER,SPRING	8		10		586968		
24	56360013000	PLATE	4				586968		
31	42771420310	GUARD,SIDE	1				586968		
32	90101210025	BOLT	4		M10X25		586968		
41	42771420410	GUARD,SIDE	1				586968		
51	42771420510	GUARD,SIDE	1				586968		

**AT-120-1 42024140400 LOWER,ISUZU U-NKR66E2N 5HX
PX1350129-01 BOX,TOOL (OPTION)**



AT-120-1 42024140400 LOWER,ISUZU U-NKR66E2N 5HX

Pos No.	Parts No	Parts Name	Qty	Unit	Technical Data	Serial No (Start)	Serial No (End)	Remarks	Pages
1	42860490011	SPACER	2						
2	37000538380	PLATE	1						
3	37000536880	PLATE	2						
4	42860280010	PLATE	5						
5	37000510570	PLATE	2						
6	42820010010	SUPPORT	1				586778		

CLICK HERE TO **DOWNLOAD** THE COMPLETE MANUAL

- Thank you very much for reading the preview of the manual.
- You can download the complete manual from: www.heydownloads.com by clicking the link below



- Please note: If there is no response to CLICKING the link, please download this PDF first and then click on it.

CLICK HERE TO **DOWNLOAD** THE COMPLETE MANUAL