

AT-110-5 42084542394 UPPER,LOWER,ISUZU TPG-NKR85AN-EE5AHY-JM

PB0000275-02 UPPER STRUCTURE SYSTEM

PB0000500-02 LOWER STRUCTURE SYSTEM

ASSEMBLY

CLICK HERE TO **DOWNLOAD** THE COMPLETE MANUAL

- Thank you very much for reading the preview of the manual.
- You can download the complete manual from: www.heydownloads.com by clicking the link below



- Please note: If there is no response to CLICKING the link, please download this PDF first and then click on it.

CLICK HERE TO **DOWNLOAD** THE COMPLETE MANUAL

AT-110-5 42084542394 UPPER,LOWER,ISUZU TPG-NKR85AN-EE5AHY-JM

PY2120005-00 BOX,TOOL (FOR BUCKET,FRP)

PY2350004-01 SWITCH,BOOSTER

PY2350006-01 SWITCH,BOOSTER

PY4000033-02 OPTION UNIT,1 (LOWER)

PY5020164-00 ACCESSORIES ASSY (WITHOUT BLOCK,RUBBER)

PY5310003-00 AUTOMATIC MOTION CONTROLLER

PY5360042-00 ACCESSORY LIST (ENGINE)

PZ0000000-00 MAT

AT-110-5 42084542394 UPPER,LOWER,ISUZU TPG-NKR85AN-EE5AHY-JM

Pos No.	Parts No	Parts Name	Qty	Unit	Technical Data	Serial No (Start)	Serial No (End)	Remarks	P
1	82119434100	CONNECTOR	1						
2	42356280010	HARNESS	1						
3	91810130240	FASTENER	5						
4	42477640080	PLATE,NAME	1						
5	42350250070	PLUG (2 POLES,MALE)	1						
6	80175304016	SCREW,MACHINE	2		M4X16				

**AT-110-5 42084542394 UPPER,LOWER,ISUZU TPG-NKR85AN-EE5AHY-JM
PB5250009-00 BOOSTER ASSY,ELECTRICITY (40T,PULSE B,SANWA)**

ブースタASSY,エレキ(40T,カリホシツキ,ハルスシキB,サンワ)
BOOSTER ASSY,ELECTRICITY (40T,PULSE B,SANWA)

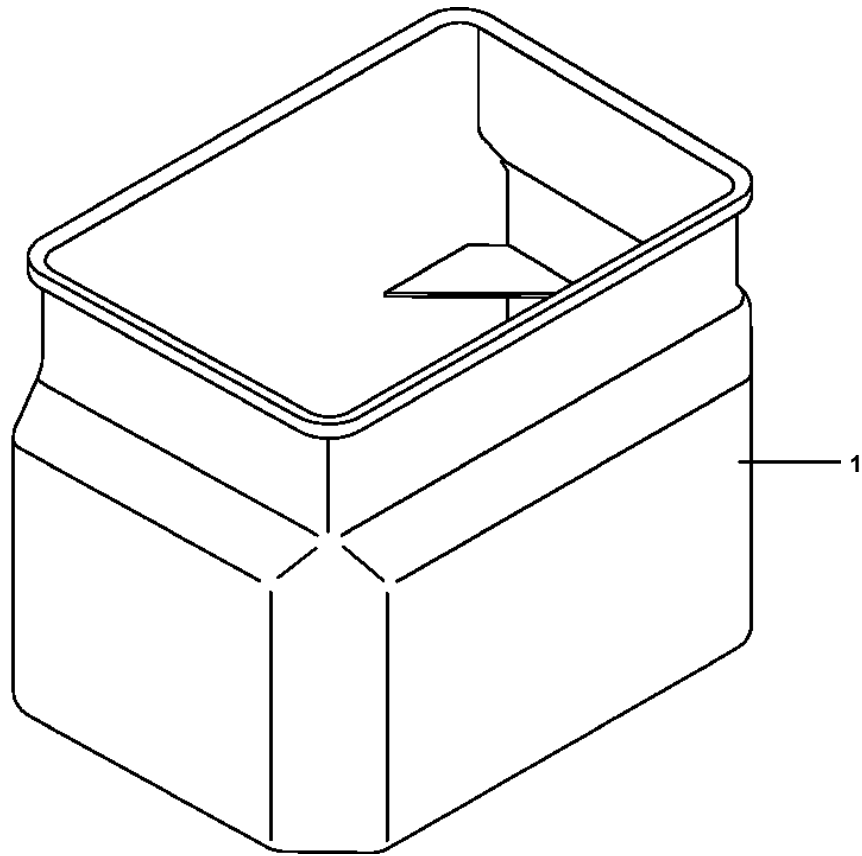
40t,仮保持付パルス式油圧取出付エレキ式操作(三和)

指示番号 KEY NO.	部品名称 PART NAME	備考 REMARK
1	ブースタASSY BOOSTER ASSY	40t,仮保持付きブースタ
2	ネームプレートASSY NAME PLATE ASSY	銘板
3	ハイカンASSY PIPING ASSY	ブーム・旋回台部
4	ハイカンASSY PIPING ASSY	サブフレーム部ハイカン
5	ハイセンASSY ELEC.ASSY	サブフレーム部ハイセン
6	スイッチASSY SWITCH ASSY	エレキ式操作スイッチ(三和)
7	マウントASSY MOUNT ASSY	バケット部
10	パネルASSY PANEL ASSY	バケット部操作パネル

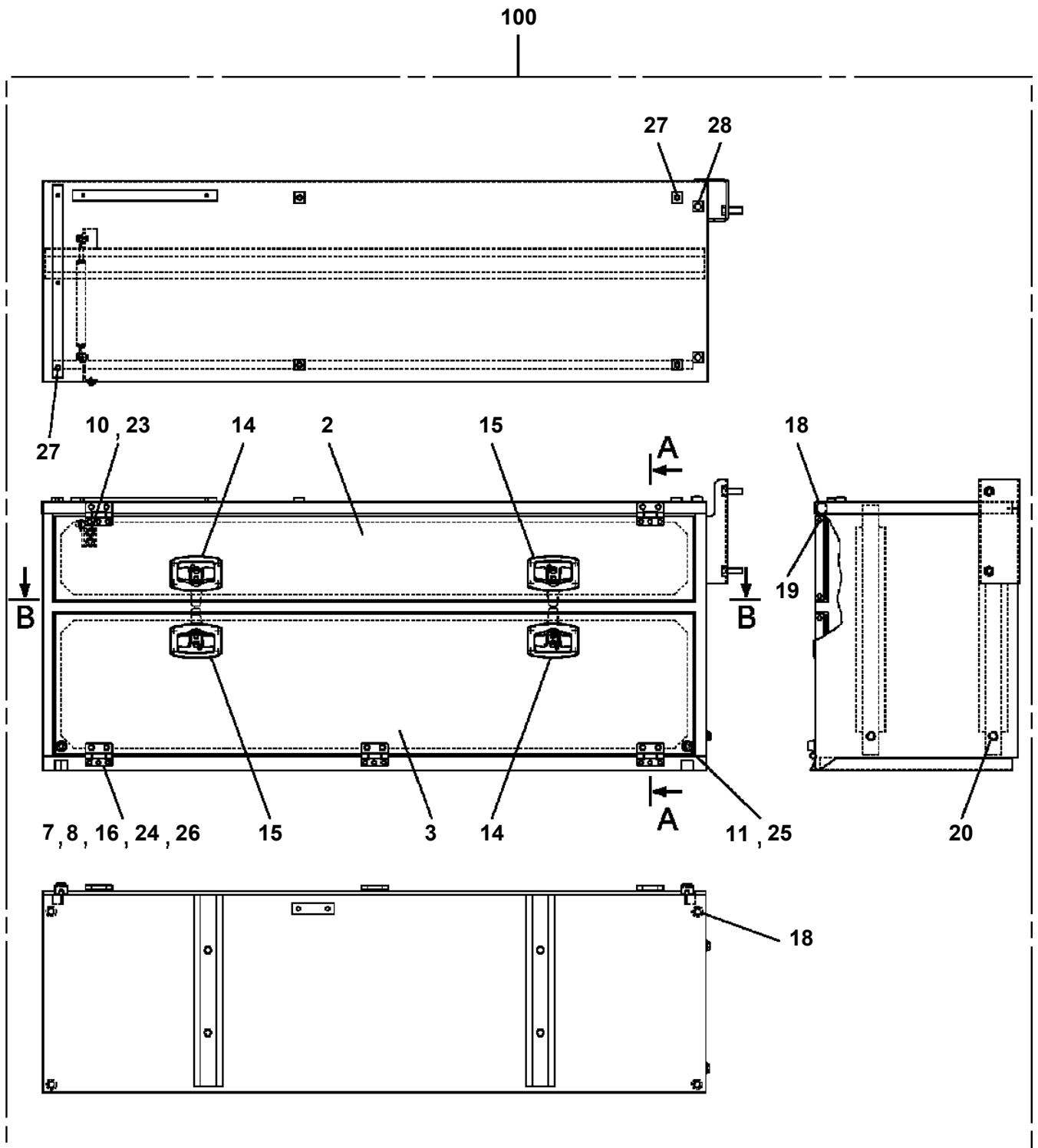
適用製造番号によっては取り付けがないものもあります。

MACHINES OF SOME SERIAL NO. ARE NOT EQUIPPED WITH THESE PARTS.

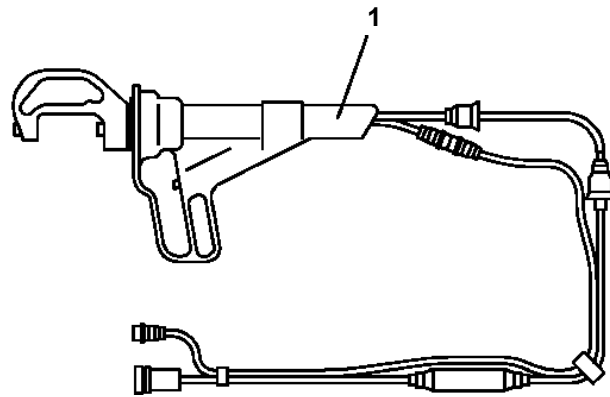
**AT-110-5 42084542394 UPPER,LOWER,ISUZU TPG-NKR85AN-EE5AHY-JM
PB5340006-00 BUCKET (WHITE/WITHOUT BOSS)**



AT-110-5 42084542394 UPPER,LOWER,ISUZU TPG-NKR85AN-EE5AHY-JM
PB5410073-00 BOX,TOOL

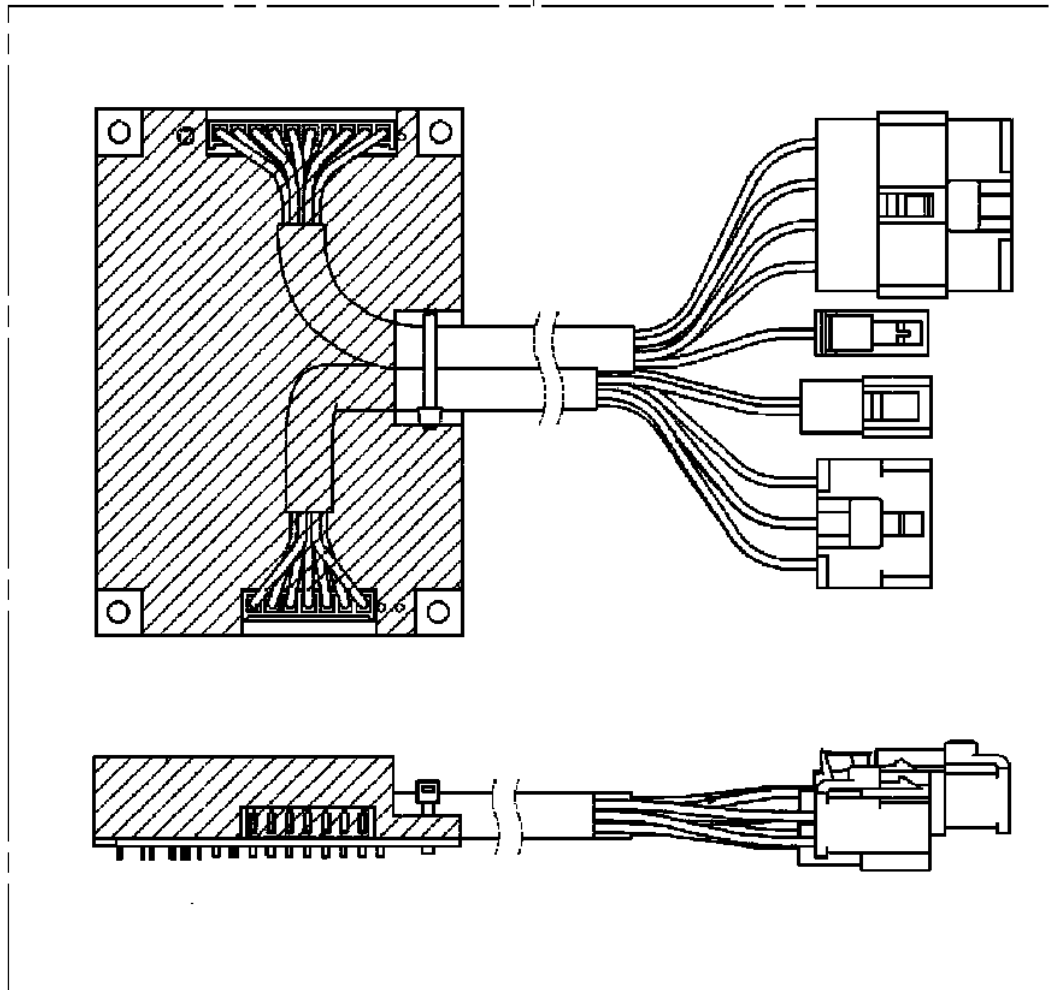


**AT-110-5 42084542394 UPPER,LOWER,ISUZU TPG-NKR85AN-EE5AHY-JM
PC5250001-00 CLAMP HEAD ASSY (YONDENKO/SAFETY HOSE)**

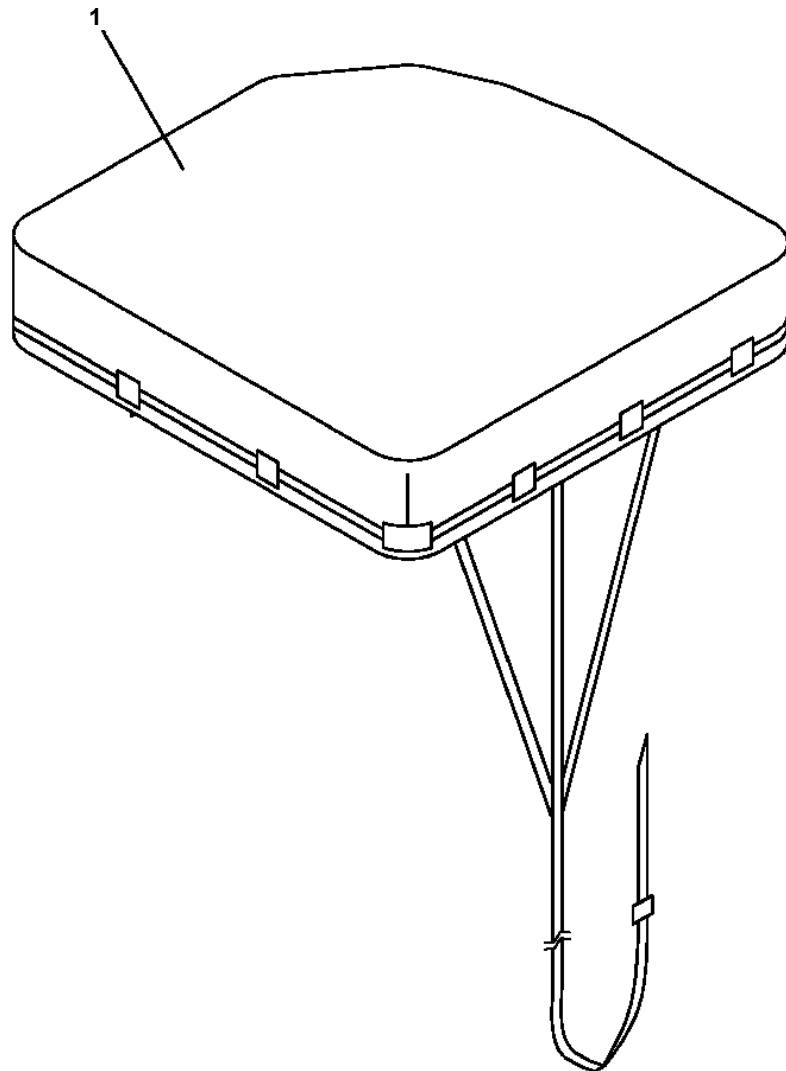


AT-110-5 42084542394 UPPER,LOWER,ISUZU TPG-NKR85AN-EE5AHY-JM
PC5420023-00 CONTROLLER

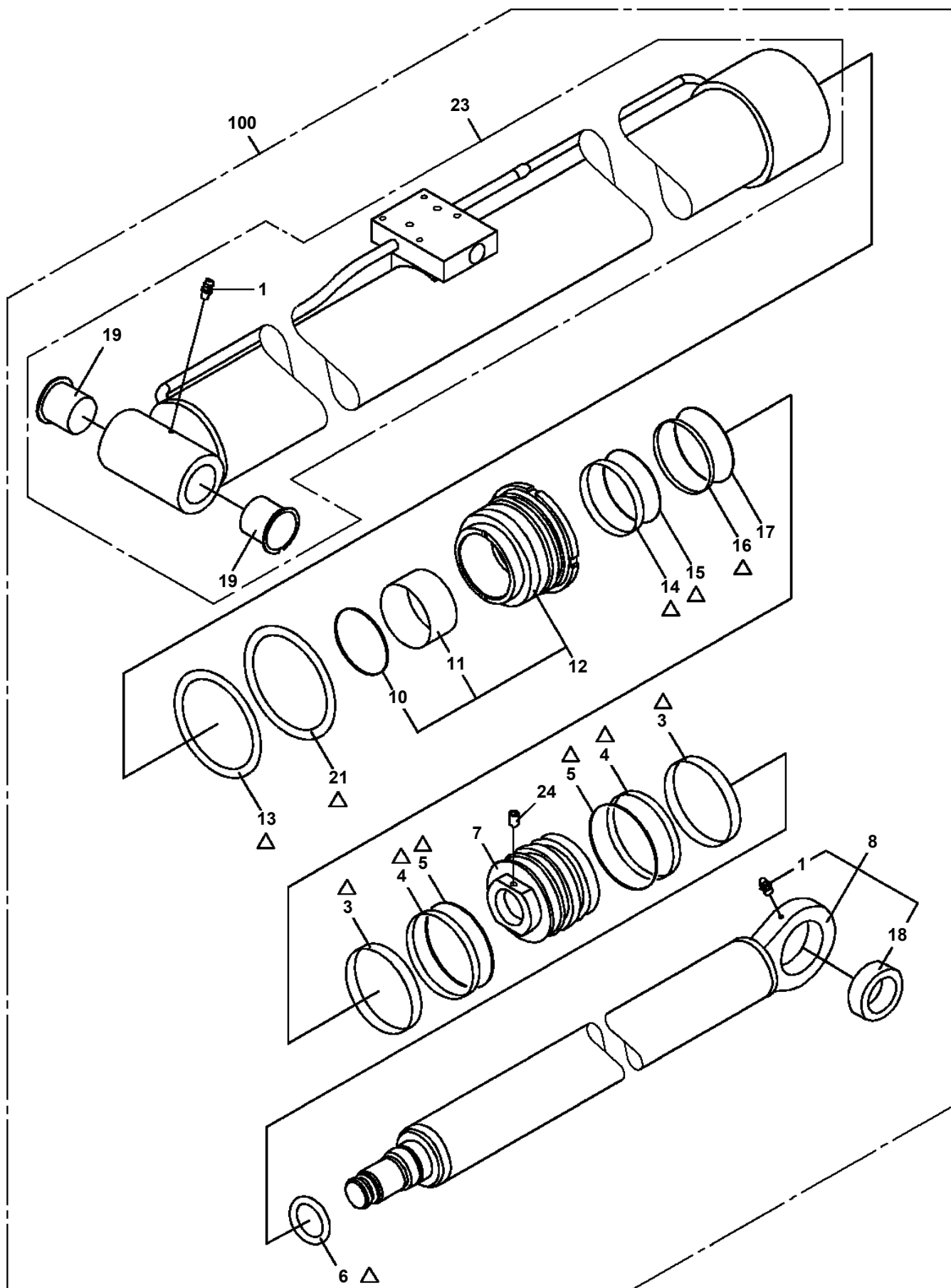
100



**AT-110-5 42084542394 UPPER,LOWER,ISUZU TPG-NKR85AN-EE5AHY-JM
PC5570096-00 COVER ASSY (BUCKET/CLOTH:WHITE)**

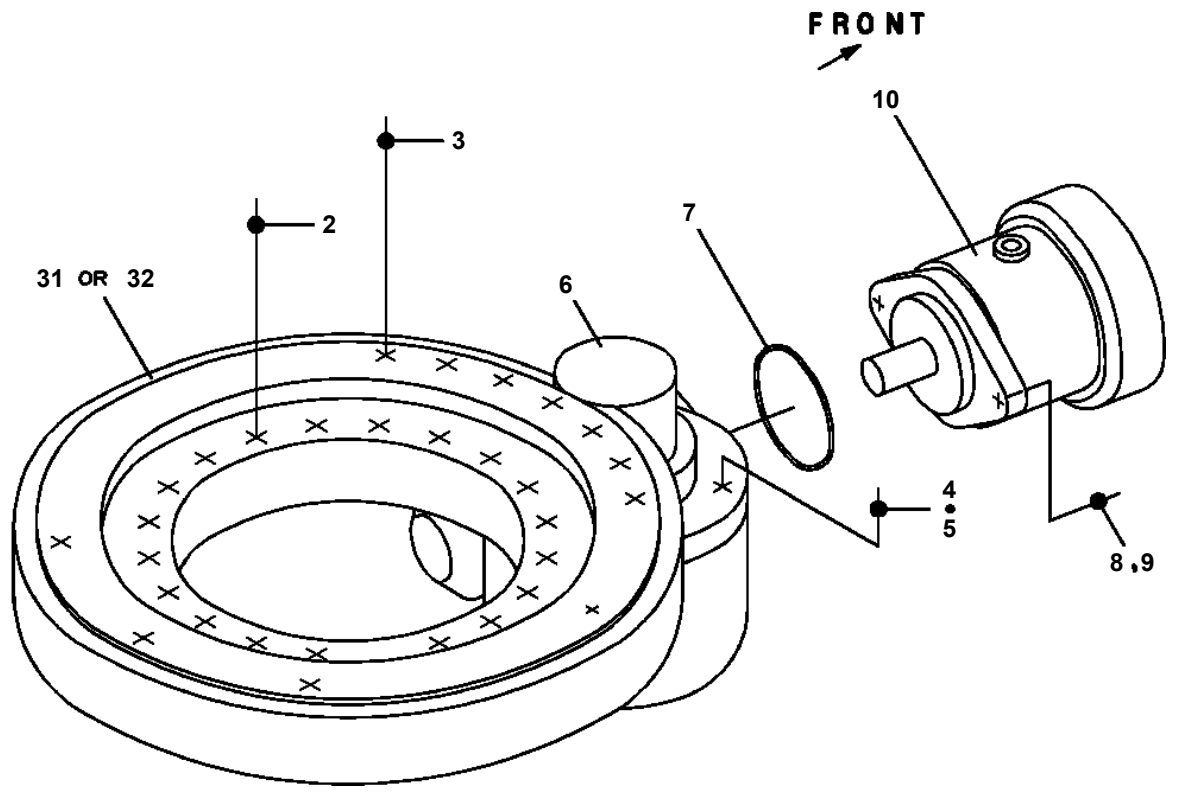


**AT-110-5 42084542394 UPPER,LOWER,ISUZU TPG-NKR85AN-EE5AHY-JM
PC6370024-00 CYLINDER ASSY,DERRICK**

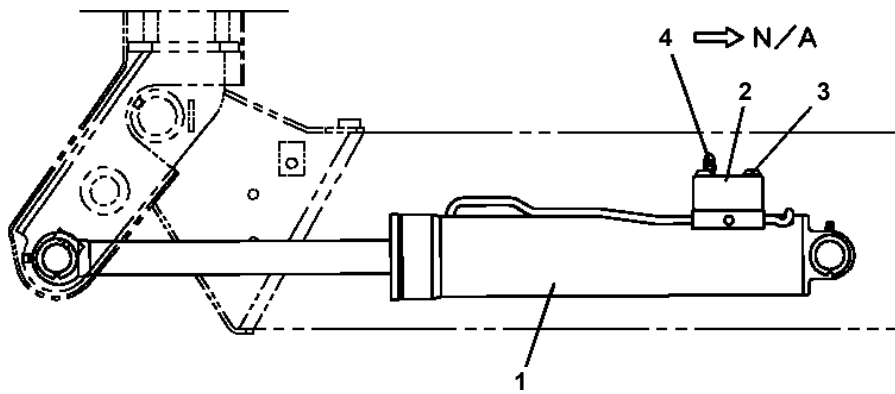


Δ:PACKING SET KEY NO.80 (KEY NO.3,4,5,6,13,14,15,16,21)

AT-110-5 42084542394 UPPER,LOWER,ISUZU TPG-NKR85AN-EE5AHY-JM
PD1010153-00 REDUCER,SWING SPEED (MOUNT)



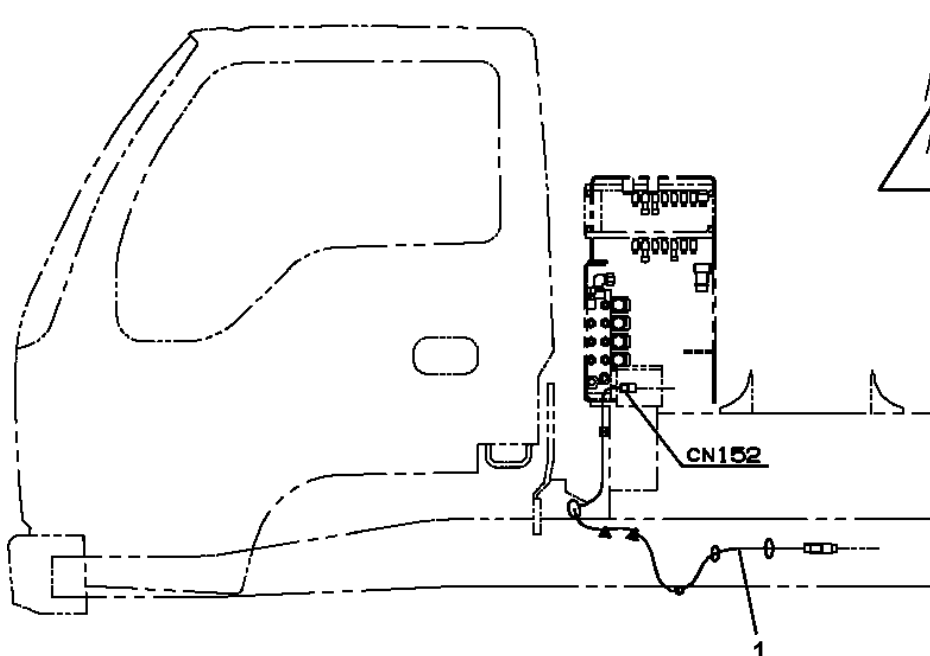
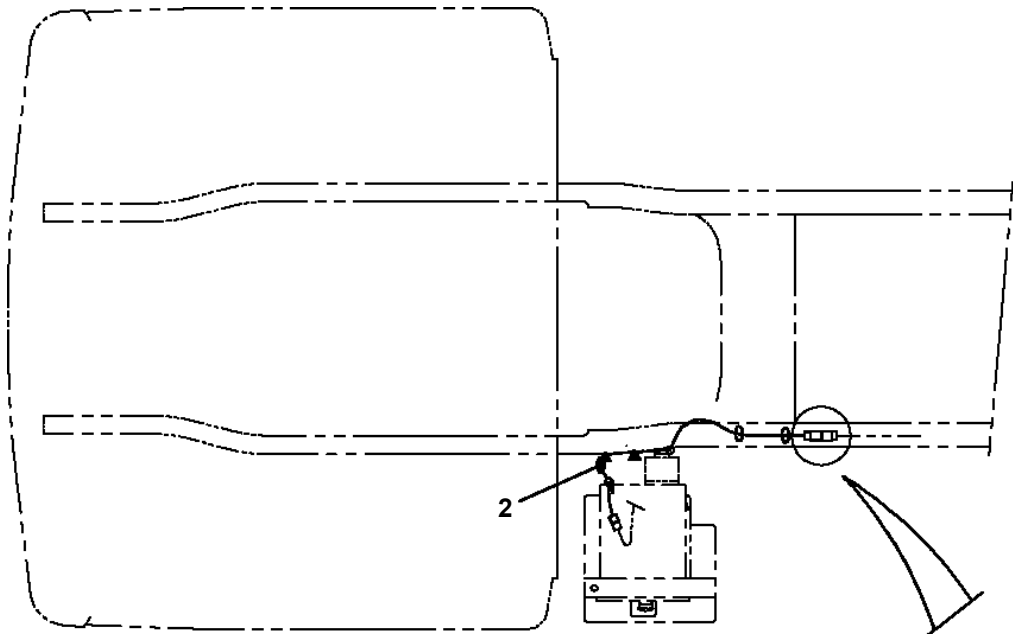
**AT-110-5 42084542394 UPPER,LOWER,ISUZU TPG-NKR85AN-EE5AHY-JM
PE1050138-02 CYLINDER,LEVELING (UPPER)**



AT-110-5 42084542394 UPPER,LOWER,ISUZU TPG-NKR85AN-EE5AHY-JM

Pos No.	Parts No	Parts Name	Qty	Unit	Technical Data	Serial No (Start)	Serial No (End)	Remark
1	42422455100	HARNESS	1					
2	42422263011	HARNESS	1					
3	82100002012	CLAMP	5		WR18			
4	90302040801	WASHER,SPRING	11		8			
5	82100002010	CLAMP	2		WR15			
6	90103212020	BOLT	1		M12X20			
7	90302041201	WASHER,SPRING	1		12			
8	42422263020	CABLE ASSY	1		L=350			
9	90101208014	BOLT	7		M8X14			
10	42714371400	MOTOR ASSY (ASSY ONLY)	1					
11	91810130250	FASTENER	10					
12	42422455200	SUPPORT	1					
13	90302040601	WASHER,SPRING	19		6			
14	42352970300	HARNESS	1					
15	37001709810	CABLE,CONTROL	1					
16	82161300010	RELAY	1					
17	90101206012	BOLT	11		M6X12			
18	90303070801	WASHER,PLAIN	4		8			
19	37000116610	PIN	1					
20	90101208032	BOLT	2		M8X32			
21	90303070601	WASHER,PLAIN	10		6			
22	80136320012	PIN,SPLIT	2		2X12			
23	37000105720	PIN	1					
24	36361361410	TIMER	1					
25	90303071201	WASHER,PLAIN	1		12			
26	82174103527	FUSE	1		65A			
27	42422453200	SUPPORT	1					
28	90103208020	BOLT	2		M8X20			
29	82100002013	CLAMP	1		WRC18			
30	90101206020	BOLT	4		M6X20			
31	82100001825	RELAY	1					
32	82100001214	CAP	1					
33	82100001215	CAP	2					
34	82100002006	CLAMP	5		WR10			
35	82100001216	CAP	1					
36	90201200600	NUT	4		M6			
101	36361361010	SWITCH,PRESSURE (OIL)	1					
102	36361361020	SWITCH,THERMO	1					
103	36361361030	SOLENOID ASSY	1					
120	36361361200	PUMP ASSY,FUEL	1					
125	36361361250	TIMER	1					
131	36361365030	REPAIR KIT	1					

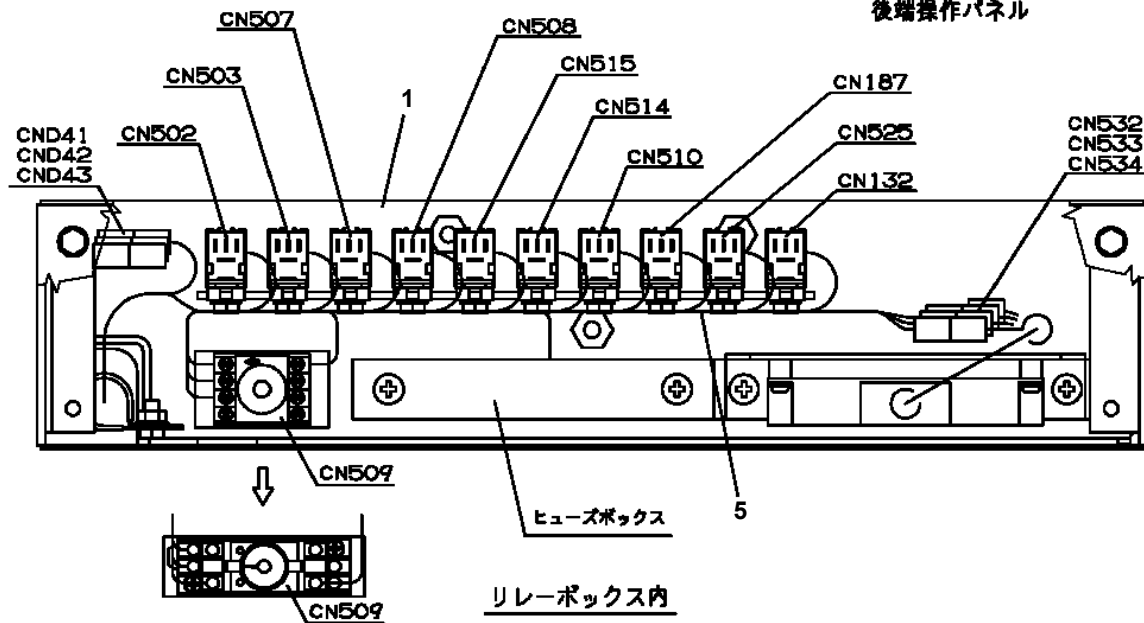
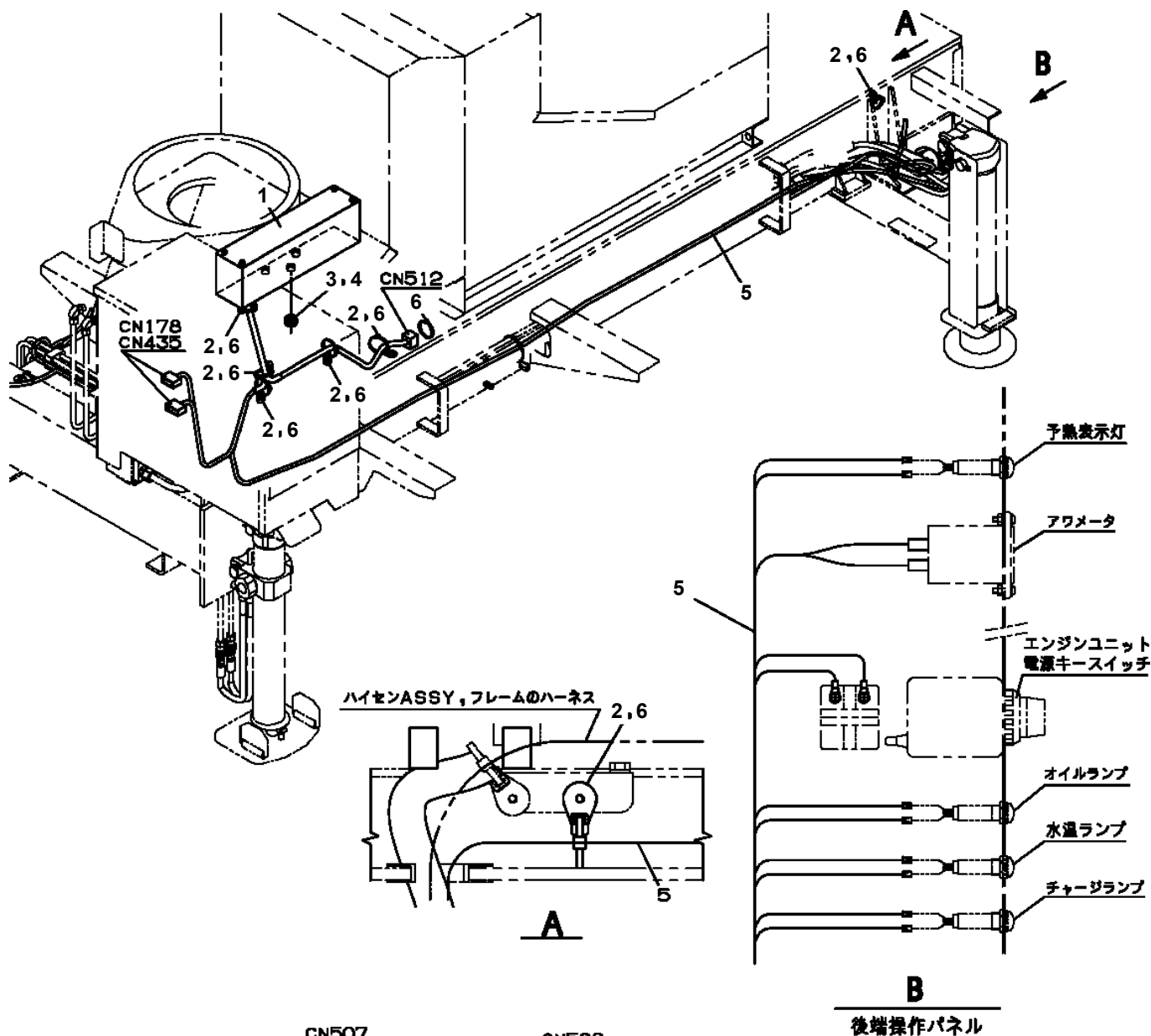
AT-110-5 42084542394 UPPER,LOWER,ISUZU TPG-NKR85AN-EE5AHY-JM
 PE5020867-00 ELEC.ASSY (CARRIER/ISUZU)



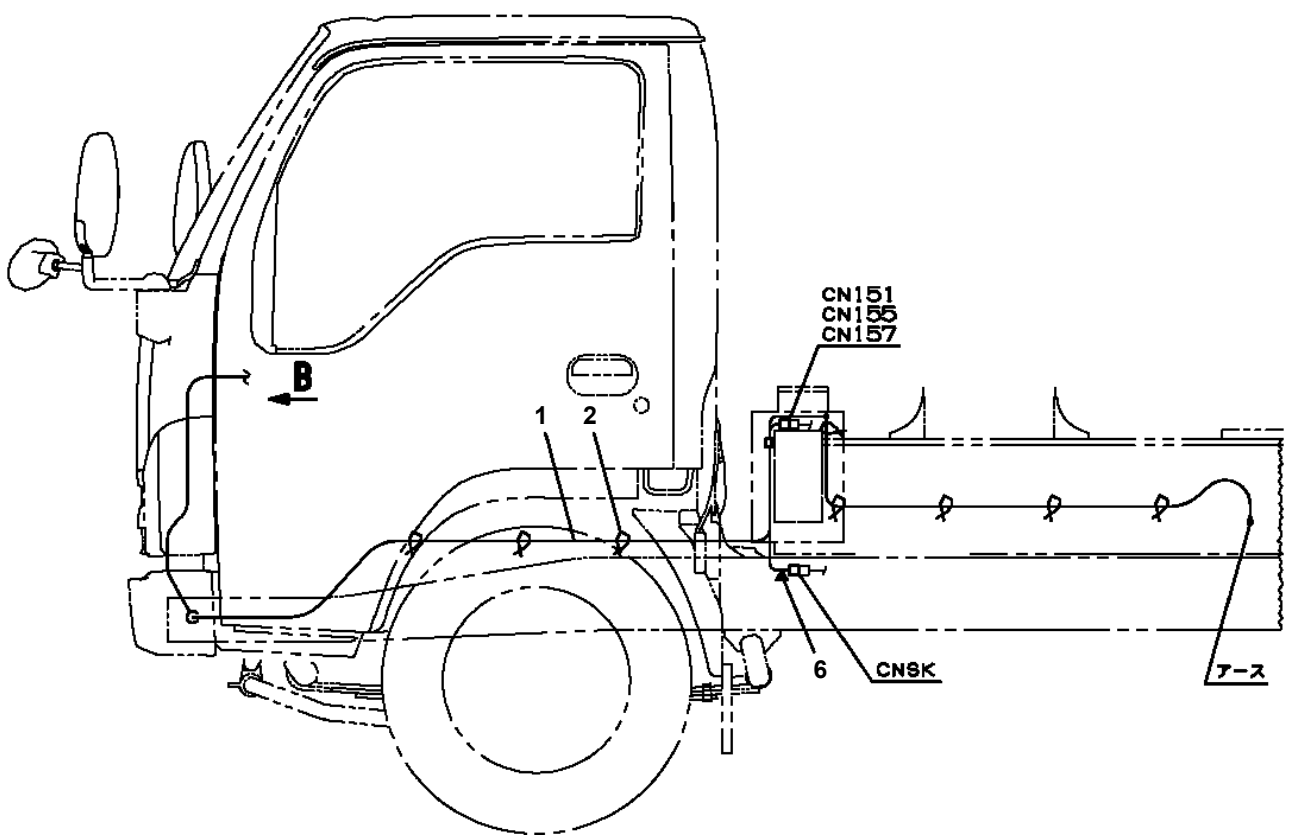
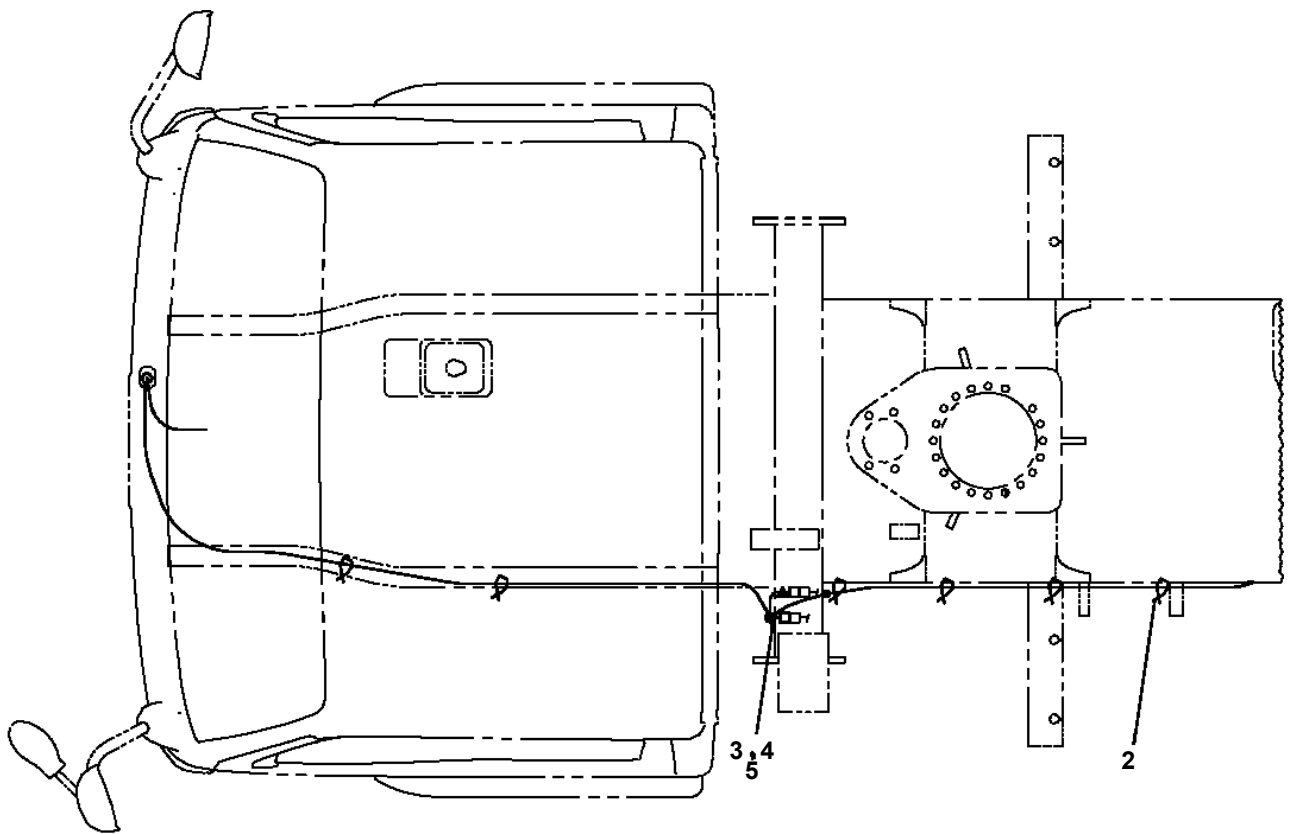
CN52
(7-233999)

F	M	
1	1	E/084 (1-2脚用)
2	2	E/084 (1-2脚用)
3	3	DPD用
4	4	KEYON
5	5	E/084用 (4脚用)
6	6	フットブレーキ用
7	7	E/084 (24V用)
8	8	PTON (ON用)
9	9	ニュートラル (N用)
10	10	パーキング (ON用)
11	11	ニュートラルロック
12	12	ニュートラルスイッチ
13	13	パーキンスイッチ
14	14	スターランプ
15	15	エンジン用
16	16	エンジン用

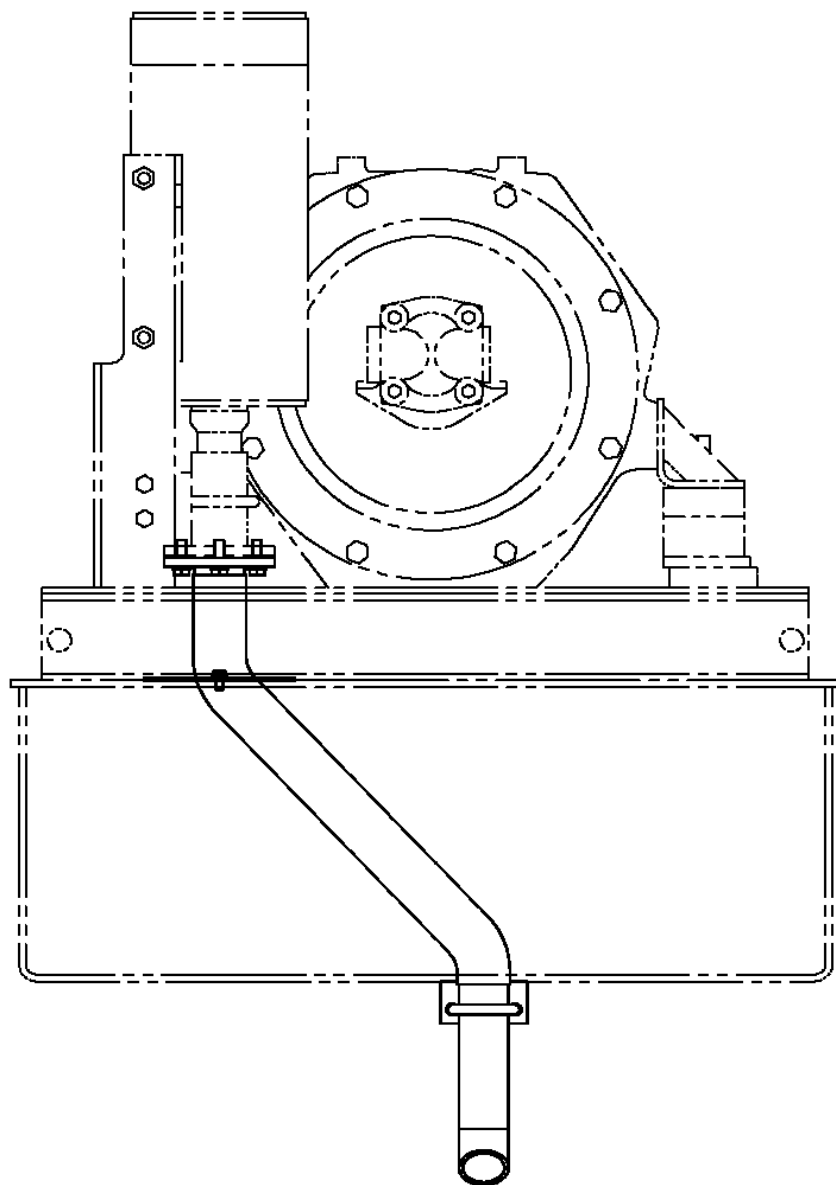
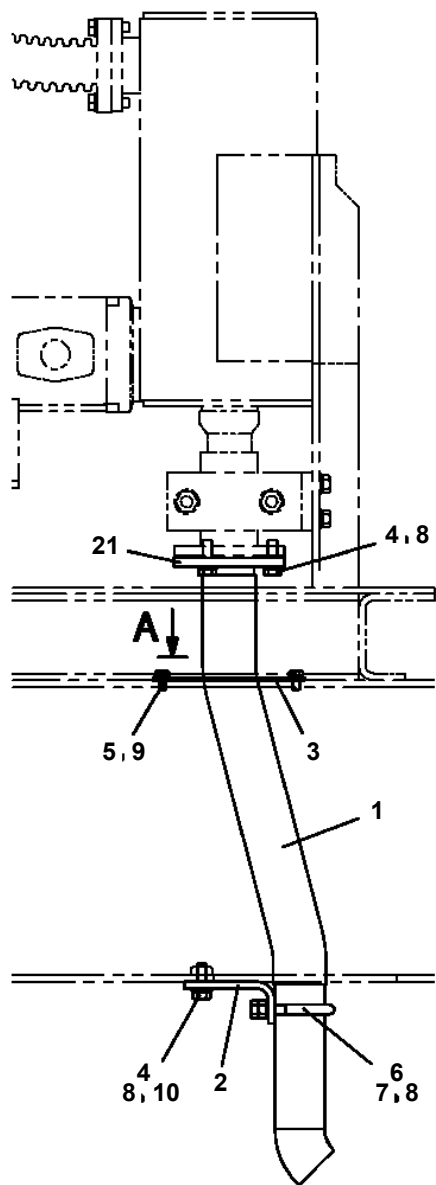
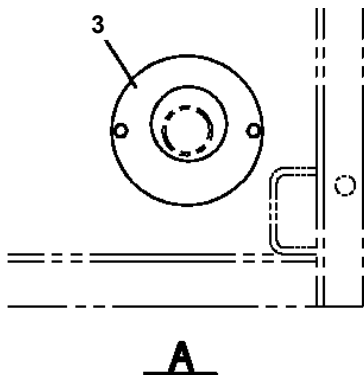
AT-110-5 42084542394 UPPER,LOWER,ISUZU TPG-NKR85AN-EE5AHY-JM
PE5021126-02 ELEC.ASSY



AT-110-5 42084542394 UPPER,LOWER,ISUZU TPG-NKR85AN-EE5AHY-JM
PE5070165-00 ELEC.ASSY,CARRIER

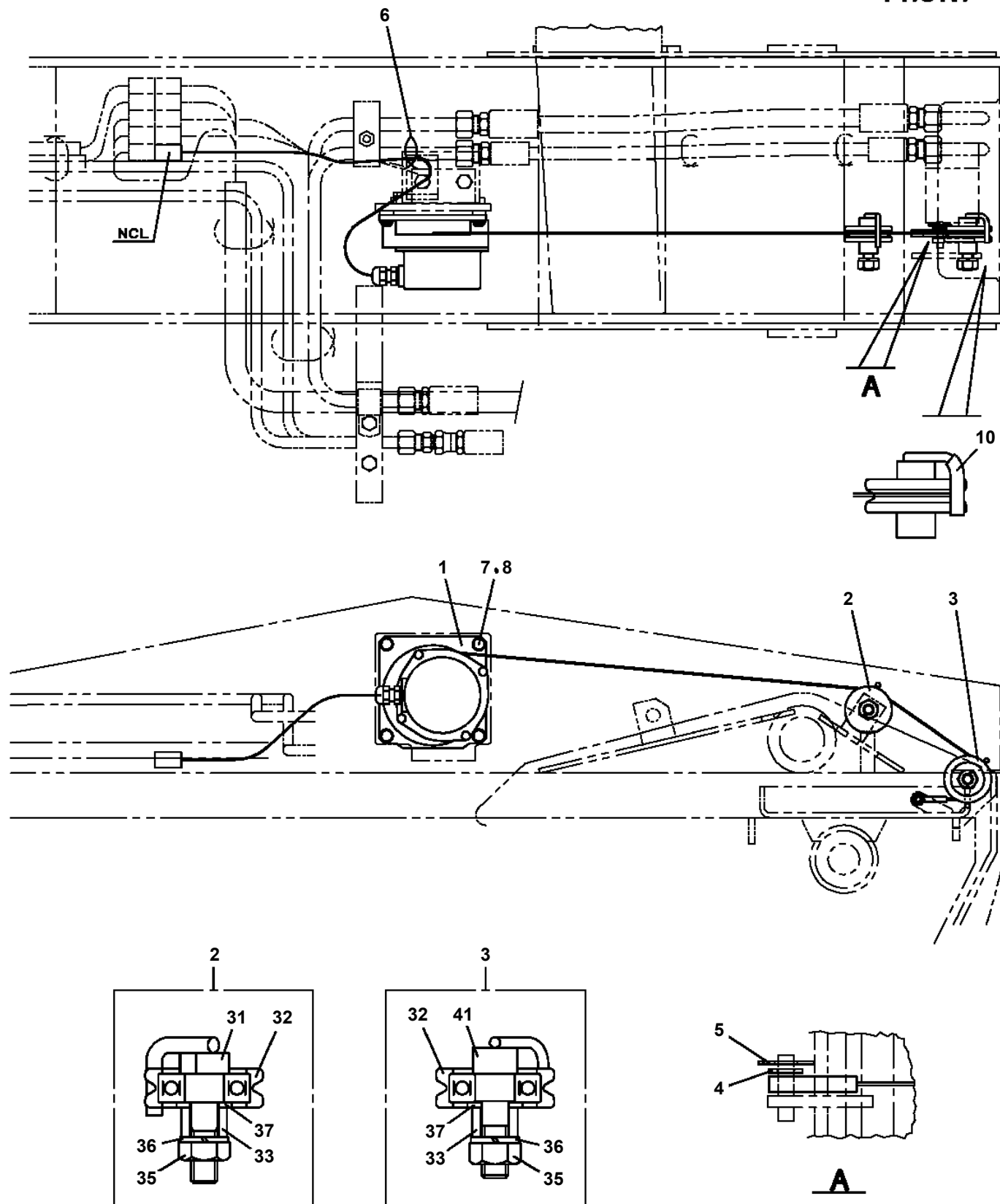


AT-110-5 42084542394 UPPER,LOWER,ISUZU TPG-NKR85AN-EE5AHY-JM
PE5230014-00 EXHAUST ASSY

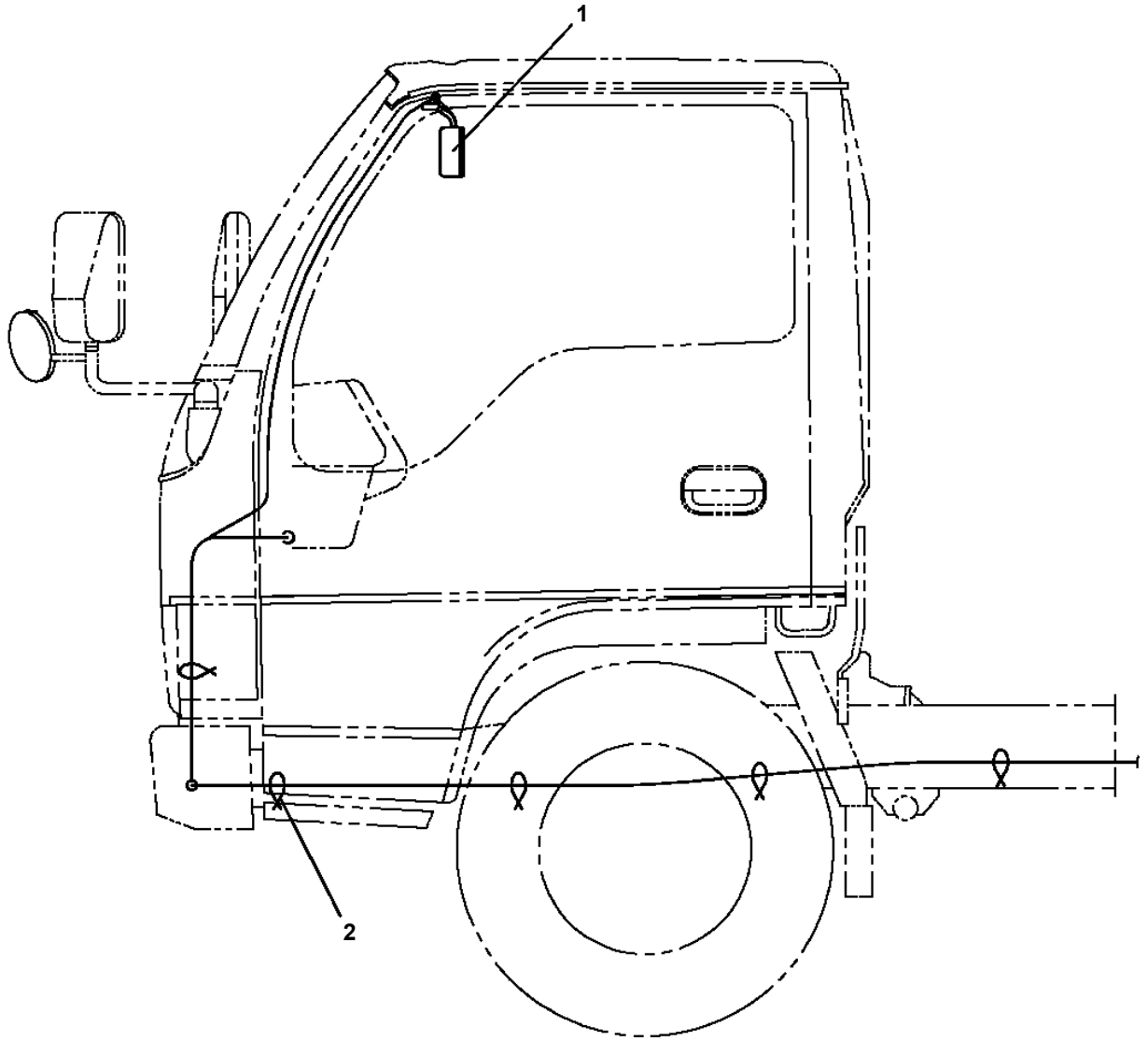


AT-110-5 42084542394 UPPER,LOWER,ISUZU TPG-NKR85AN-EE5AHY-JM
PG1120233-01 DETECTOR,BOOM LENGTH

→ FRONT



**AT-110-5 42084542394 UPPER,LOWER,ISUZU TPG-NKR85AN-EE5AHY-JM
PH1700270-00 VIEW SYSTEM (MONITOR)**

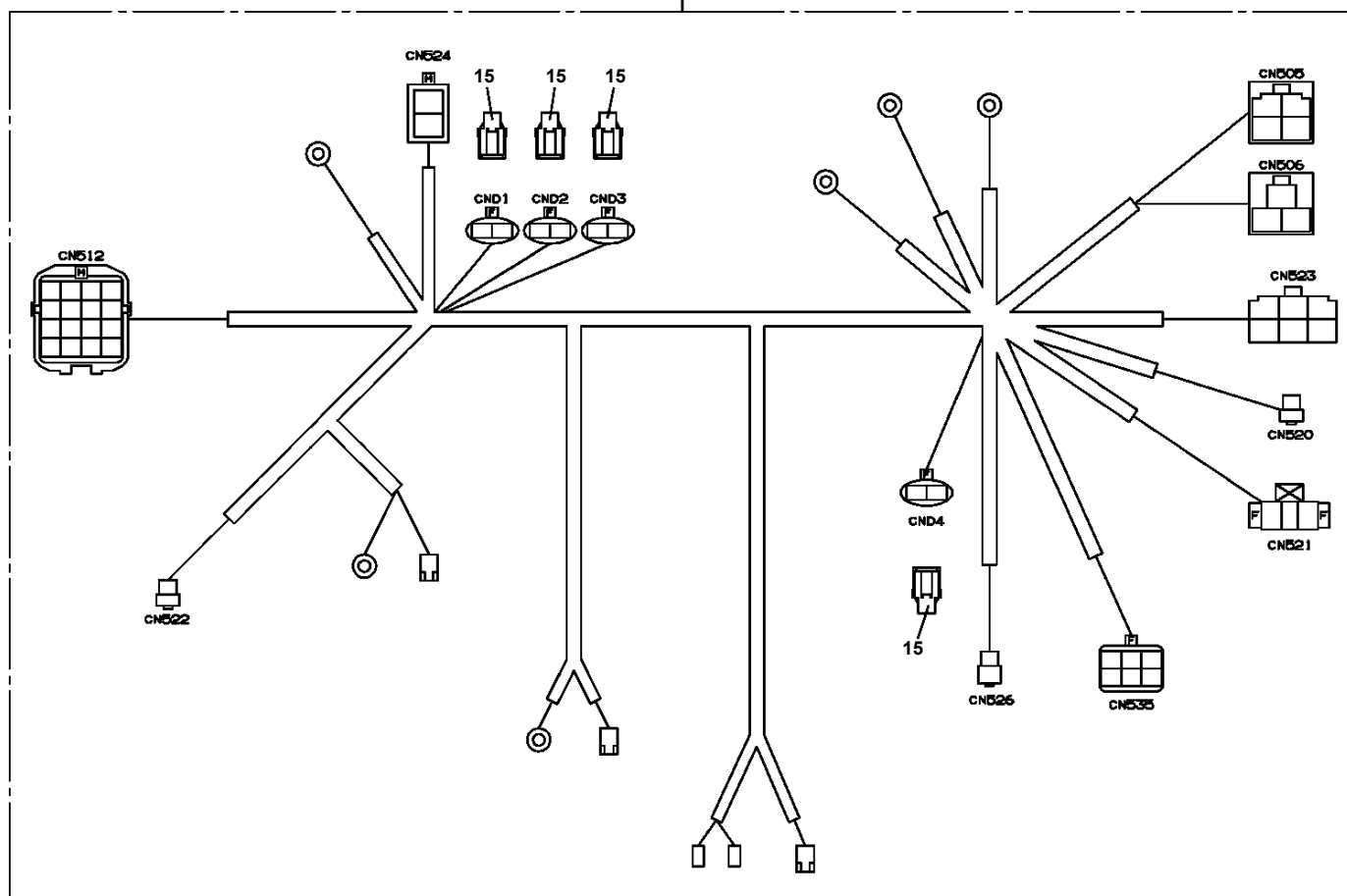


**AT-110-5 42084542394 UPPER,LOWER,ISUZU TPG-NKR85AN-EE5AHY-JM
PH1700303-01 VIEW SYSTEM (FOR ISUZU,NISSAN,MAZDA)**

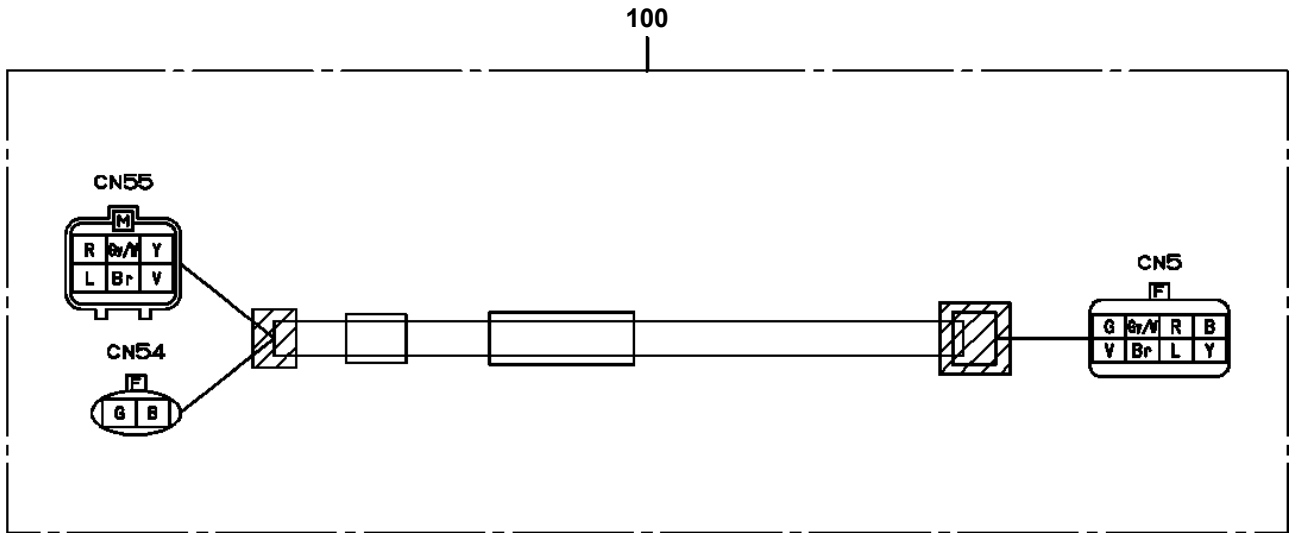
指示番号 KEY NO.	ビユー システム (イスズ ,ニッサン,マツダ ヨウ) VIEW SYSTEM (FOR ISUZU,NISSAN,MAZDA)
1	ビユー システム (モニタ) VIEW SYSTEM (MONITOR)
2	ビユー システム (カメラ) VIEW SYSTEM (CAMERA)

AT-110-5 42084542394 UPPER,LOWER,ISUZU TPG-NKR85AN-EE5AHY-JM
PH5030213-00 HARNESS

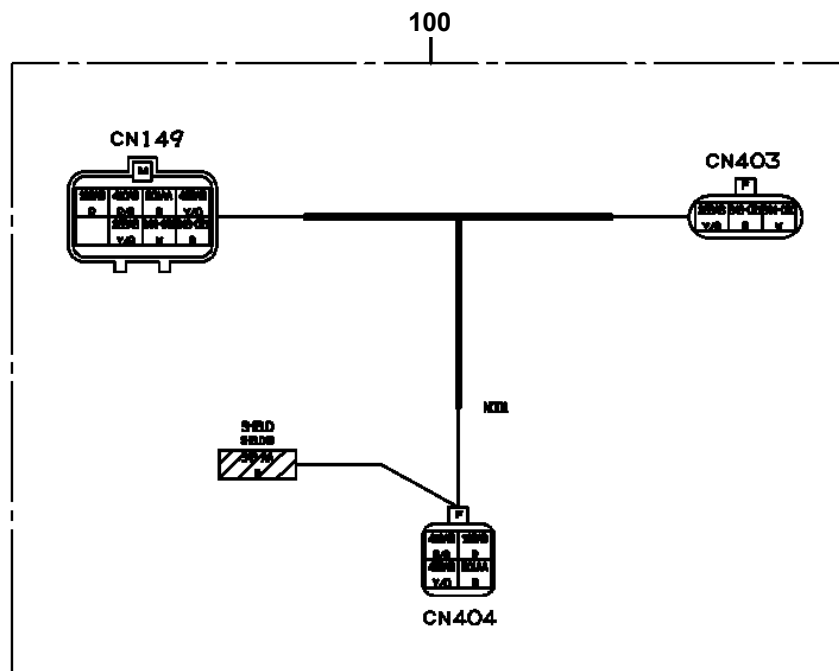
100



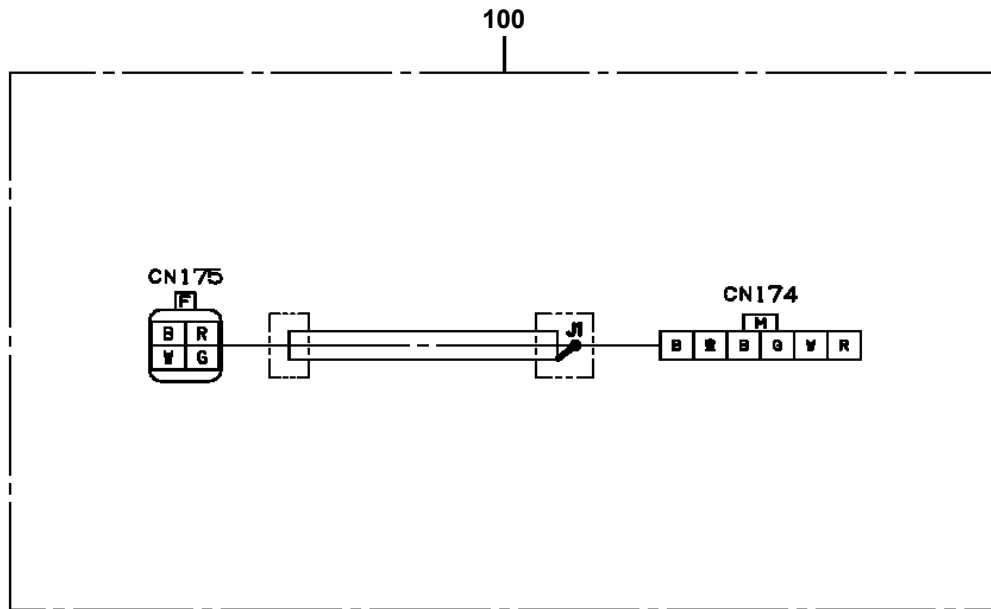
AT-110-5 42084542394 UPPER,LOWER,ISUZU TPG-NKR85AN-EE5AHY-JM
PH5031005-00 HARNESS



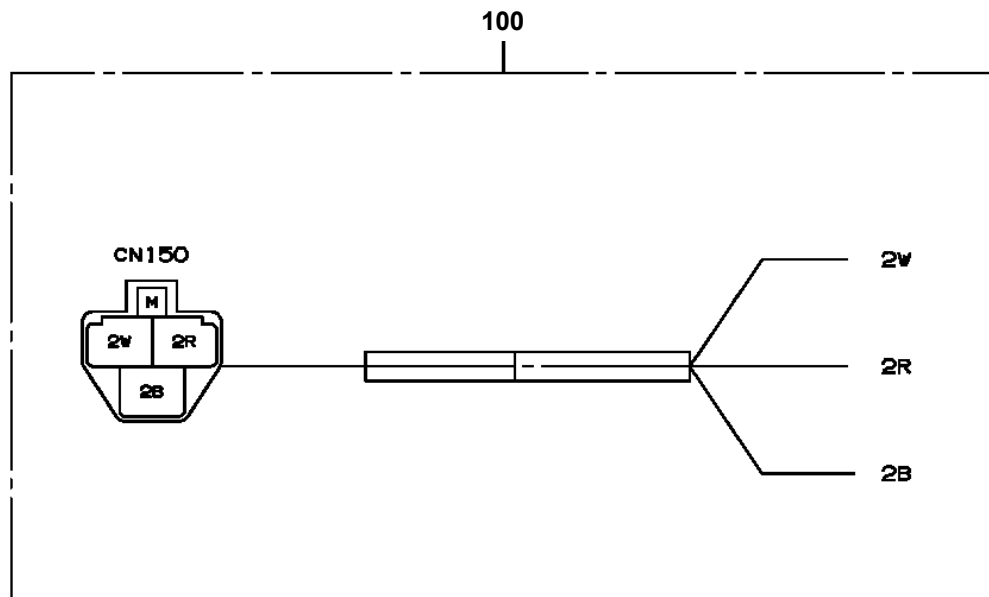
AT-110-5 42084542394 UPPER,LOWER,ISUZU TPG-NKR85AN-EE5AHY-JM
PH5031984-00 HARNESS



AT-110-5 42084542394 UPPER,LOWER,ISUZU TPG-NKR85AN-EE5AHY-JM
PH5033322-00 HARNESS



**AT-110-5 42084542394 UPPER,LOWER,ISUZU TPG-NKR85AN-EE5AHY-JM
PH5033686-00 HARNESS**



AT-110-5 42084542394 UPPER,LOWER,ISUZU TPG-NKR85AN-EE5AHY-JM

Pos No.	Parts No	Parts Name	Qty	Unit	Technical Data	Serial No (Start)	Serial No (End)	Remarks	Pages
100	42513030100	HARNESS	1						

AT-110-5 42084542394 UPPER,LOWER,ISUZU TPG-NKR85AN-EE5AHY-JM

Pos No.	Parts No	Parts Name	Qty	Unit	Technical Data	Serial No (Start)	Serial No (End)	Remarks	Pages
100	42501070010	HARNESS	1						

AT-110-5 42084542394 UPPER,LOWER,ISUZU TPG-NKR85AN-EE5AHY-JM

Pos No.	Parts No	Parts Name	Qty	Unit	Technical Data	Serial No (Start)	Serial No (End)	Remarks	Pages
100	42501110020	HARNESS	1						

AT-110-5 42084542394 UPPER,LOWER,ISUZU TPG-NKR85AN-EE5AHY-JM

Pos No.	Parts No	Parts Name	Qty	Unit	Technical Data	Serial No (Start)	Serial No (End)	Remarks	Pages
100	42937880100	HARNESS	1						

AT-110-5 42084542394 UPPER,LOWER,ISUZU TPG-NKR85AN-EE5AHY-JM

Pos No.	Parts No	Parts Name	Qty	Unit	Technical Data	Serial No (Start)	Serial No (End)	Remarks	Pages
3	36605115010	POPPET	1						
6	36605115020	PLUNGER	1						
7	70320127520	BUSH	1						
9	70320127540	SPRING	1						
10	70320027625	SPRING	1						
12	36605115040	SCREW	1						
14	80316030020	PLUG	2		PT1/8				
15	80316030010	PLUG	1		NPTF1-16				
16	91002800900	O-RING	4		1B P9				
17	91001101001	O-RING	1		1A P10A				
18	91002801400	O-RING	1		1B P14				
19	91002801800	O-RING	1		1B P18				
20	91000501300	O-RING	1		AS568-013				
21	36602775040	KNOB (A)	1						
22	36602775050	KNOB	1						
23	36605115050	SCREW	1						
50	36605110000	VALVE,RELIEF	1						

AT-110-5 42084542394 UPPER,LOWER,ISUZU TPG-NKR85AN-EE5AHY-JM

Pos No.	Parts No	Parts Name	Qty	Unit	Technical Data	Serial No (Start)	Serial No (End)	Remarks	Pages
11	91001101200	O-RING	2		1A P12				
23	36624110300	SEAT	2						
24	36624110400	SPRING	2						
26	36624110600	PISTON	1						
28	91001101800	O-RING	2		1A P18				
30	36624111000	PACKING	2						
31	36624111100	O-RING	1		P12				
41	36624110100	BODY	1						
42	36624110200	PLUG	2						
45	36624110501	PLUNGER	2						
100	36624110000	VALVE,CHECK	1						

AT-110-5 42084542394 UPPER,LOWER,ISUZU TPG-NKR85AN-EE5AHY-JM

Pos No.	Parts No	Parts Name	Qty	Unit	Technical Data	Serial No (Start)	Serial No (End)	Remark
1	80316100040	PLUG	1		PF1/2			
2	91002801800	O-RING	1		1B P18			
7	91002801600	O-RING	1		1B P16			
10	36605515030	SPRING	1					
11	91002902500	O-RING	1		1B G25			
12	36605515040	GUIDE	1					
13	36605515050	COVER	1					
14	36620030010	PLUG	1		PF3/8			
15	91002801400	O-RING	2		1B P14			
16	52255101000	SPRING	1					
18	36605515060	PISTON	1					
19	91002801000	O-RING	1		1B P10			
20	80316100030	PLUG	1		G3/8			
21	91002801200	O-RING	2		1B P12			
22	90131708035	BOLT,HEXAGON SOCKET	4		M8X35			
23	80316090020	PLUG	3		KKT PT1/8			
31	36605515070	BODY ASSY	1					
32	36605515082	VALVE,CHECK	1					
50	36605510001	VALVE,COUNTERBALANCE	1					

AT-110-5 42084542394 UPPER,LOWER,ISUZU TPG-NKR85AN-EE5AHY-JM

Pos No.	Parts No	Parts Name	Qty	Unit	Technical Data	Serial No (Start)	Serial No (End)	Remarks	Pages
1	42262050200	BUCKET	1						

AT-110-5 42084542394 UPPER,LOWER,ISUZU TPG-NKR85AN-EE5AHY-JM

Pos No.	Parts No	Parts Name	Qty	Unit	Technical Data	Serial No (Start)	Serial No (End)	Remarks
2	90101208025	BOLT	3		M8X25			
3	90302040801	WASHER,SPRING	3		8			
4	42442803000	BRUSH ASSY	1					
5	37002444670	HOSE	1		L=1200			
6	37002488020	HOSE	2		L=1340			
7	37002440190	HOSE	2		L=1100			
8	91002801100	O-RING	1		1B P11			
9	91002801400	O-RING	8		1B P14			
10	37002447140	HOSE	1		L=1250			
11	37002443540	HOSE	1		L=1450			
12	80316070060	PLUG	2		PF3/8			
13	37000928850	PLUG	2					
31	42442812100	BODY	1					
32	42443062200	CORE	1					
33	42441672100	PLATE	1					
34	42630461400	FLANGE	1					
35	90172108016	BOLT,HEXAGON SOCKET	6		M8X16			
36	91531208000	PACKING	2					
37	91100308000	RING,SEAL	7					
38	80720105020	PIN,SPRING	1		5X20			
39	80316090040	PLUG SOCKET	2		R1/4			
40	42442402400	SUPPORT	1					
41	90171110020	BOLT	4		M10X20			
42	90302041001	WASHER,SPRING	4		10			
100	42444211000	JOINT ASSY,SWIVEL	1					

CLICK HERE TO **DOWNLOAD** THE COMPLETE MANUAL

- Thank you very much for reading the preview of the manual.
- You can download the complete manual from: www.heydownloads.com by clicking the link below



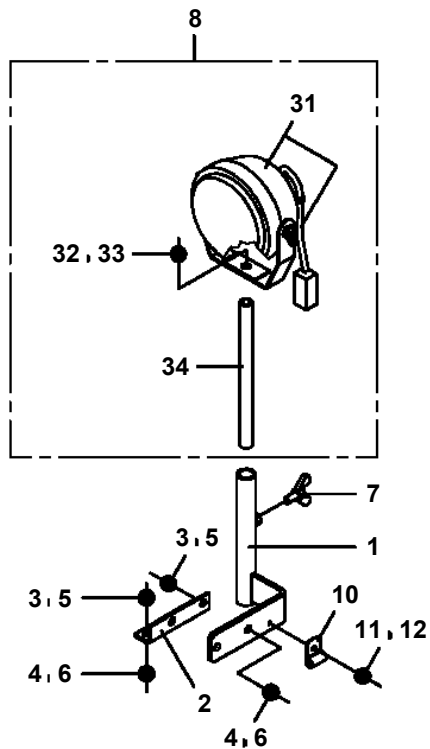
- Please note: If there is no response to CLICKING the link, please download this PDF first and then click on it.

CLICK HERE TO **DOWNLOAD** THE COMPLETE MANUAL

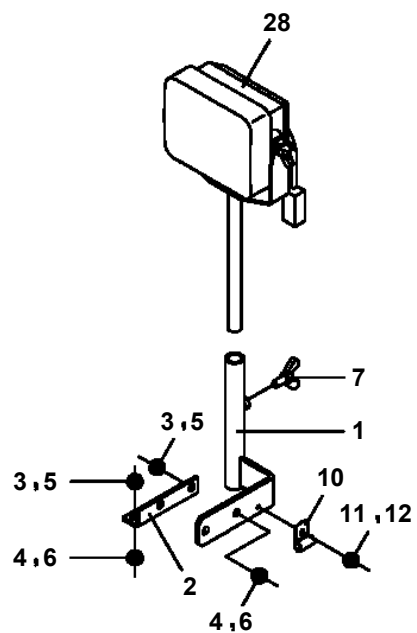
AT-110-5 42084542394 UPPER,LOWER,ISUZU TPG-NKR85AN-EE5AHY-JM

Pos No.	Parts No	Parts Name	Qty	Unit	Technical Data	Serial No (Start)	Serial No (End)	Remarks	Pages
1	42715440100	HARNESS	1						000125
2	82420809512	TRIM	1	M					

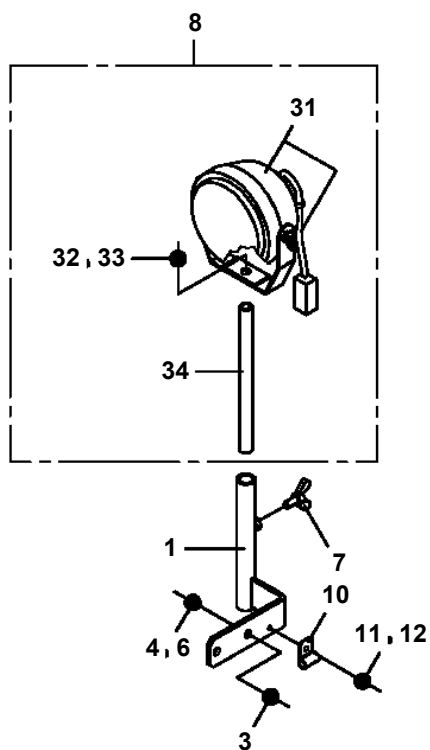
**AT-110-5 42084542394 UPPER,LOWER,ISUZU TPG-NKR85AN-EE5AHY-JM
 PL5140021-02 LAMP ASSY,WORKING (LOWER/LED)**



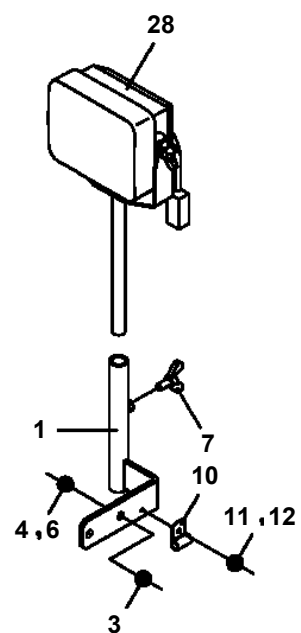
A



B

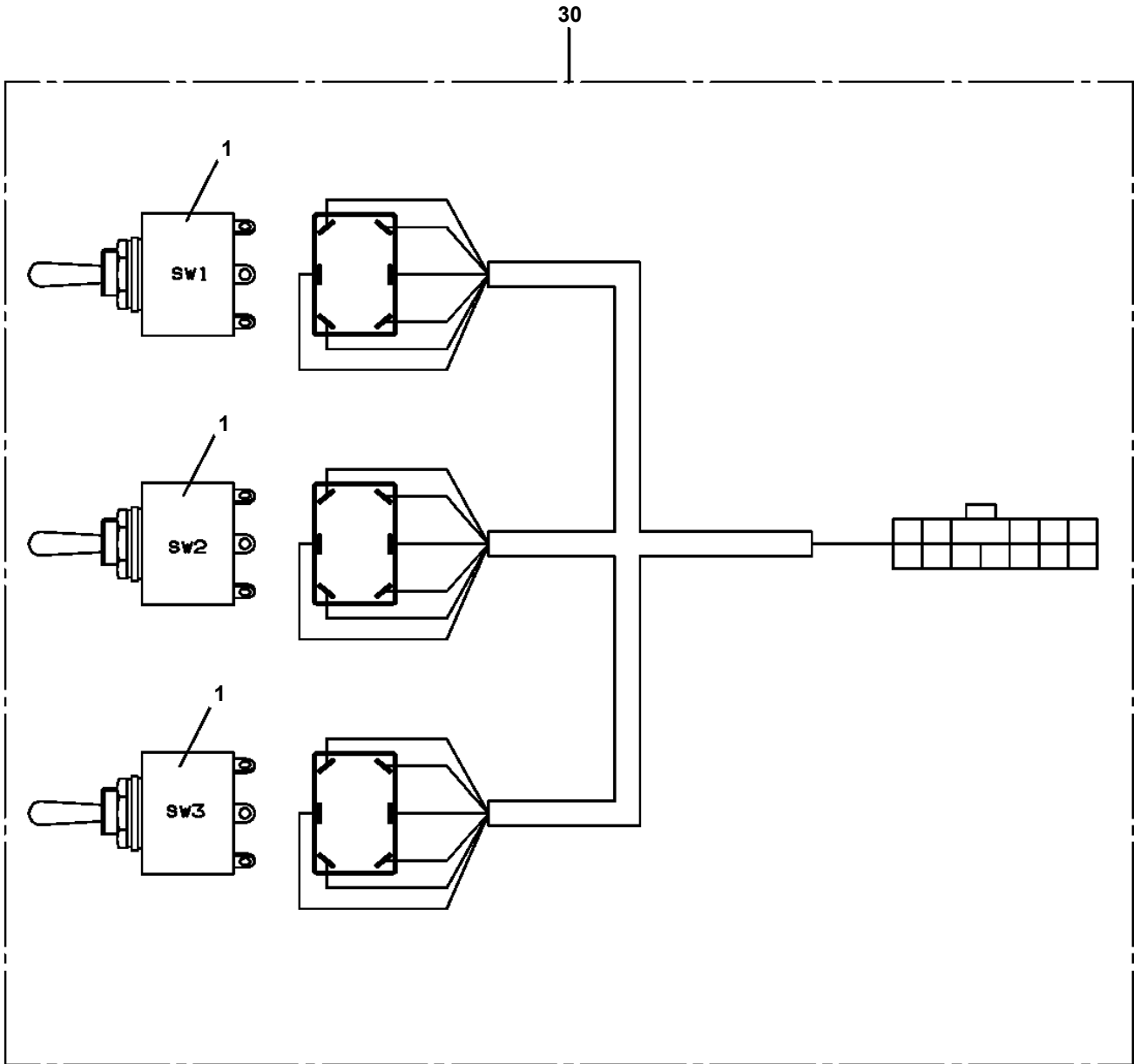


C

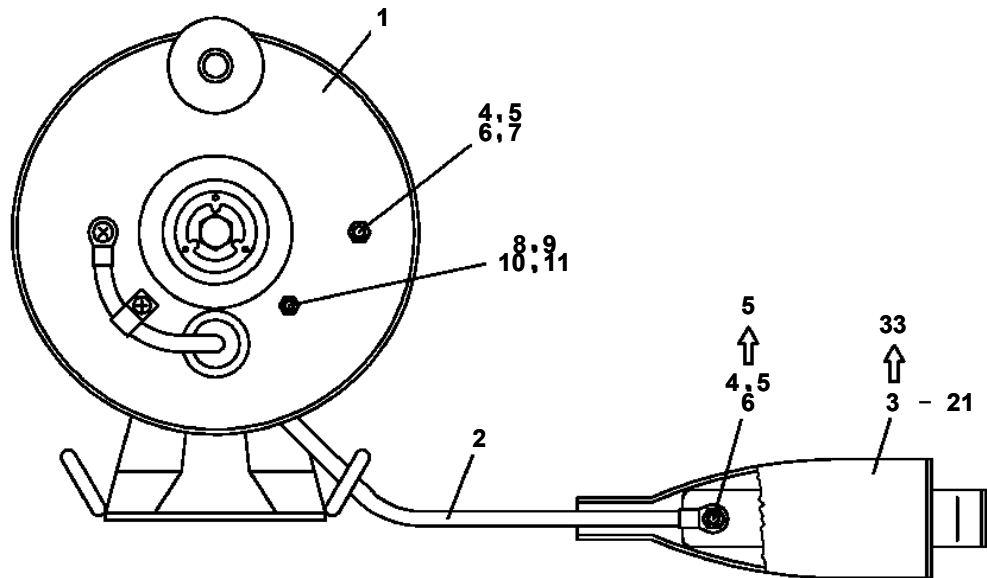
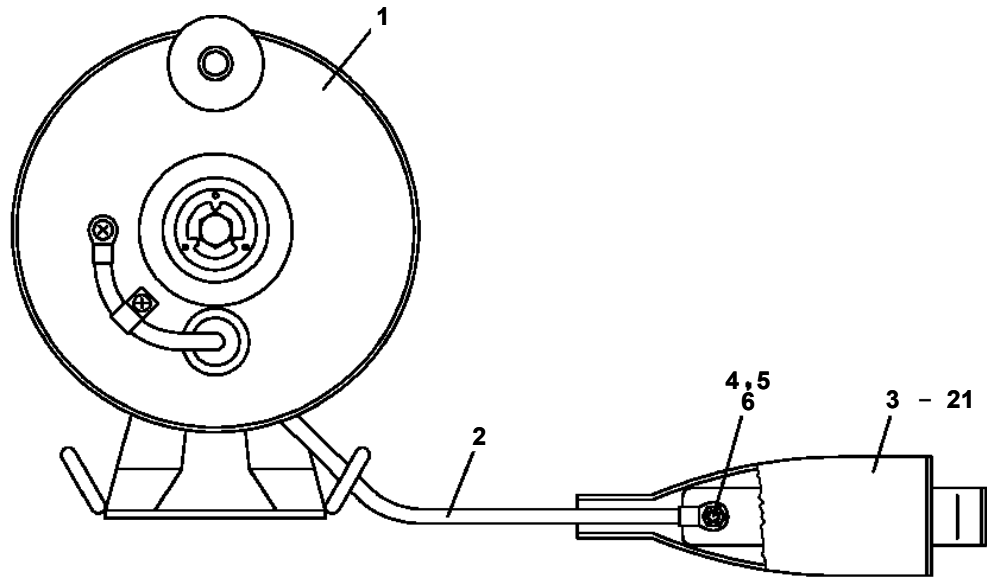


D

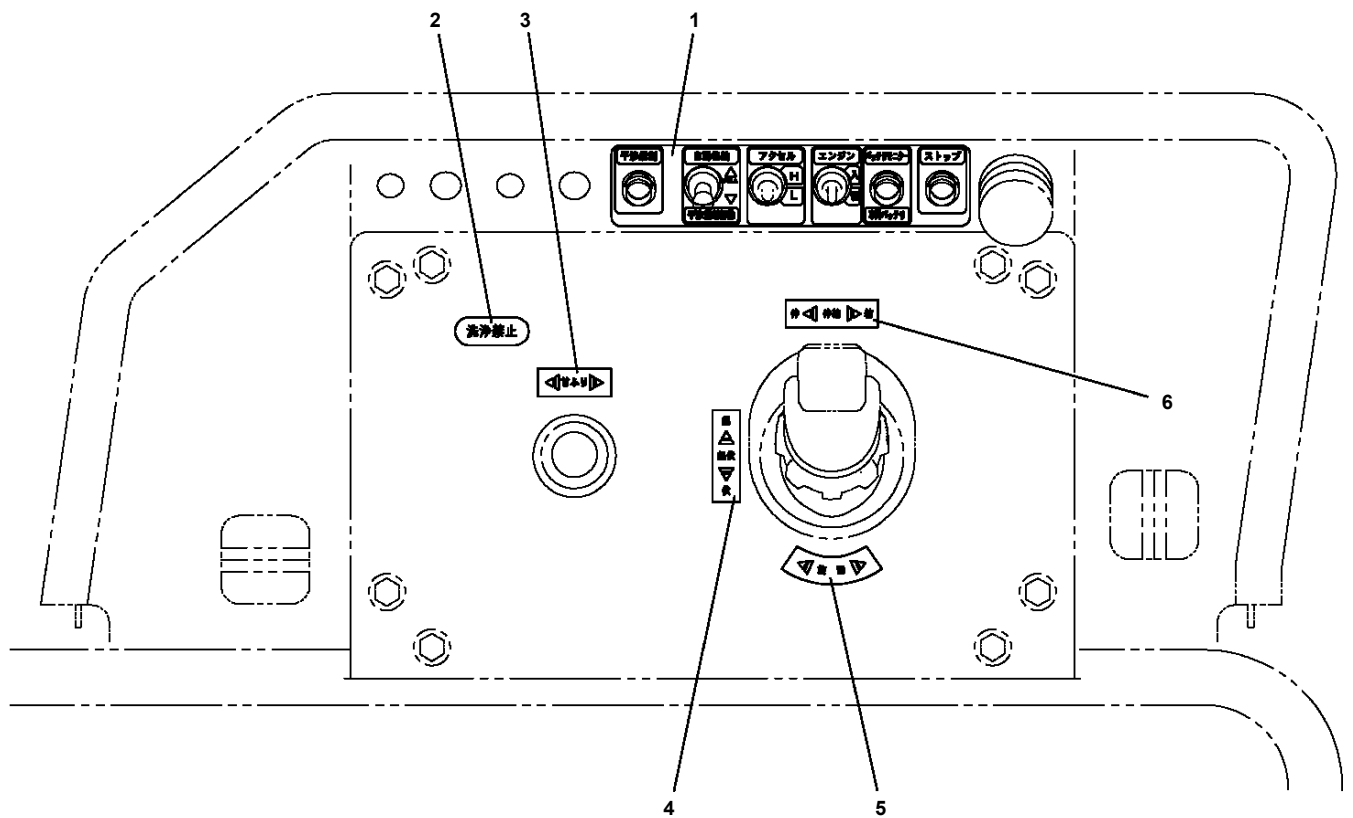
AT-110-5 42084542394 UPPER,LOWER,ISUZU TPG-NKR85AN-EE5AHY-JM
PN1140153-00 SWITCH ASSY (WITH HARNESS,3 SWITCH)



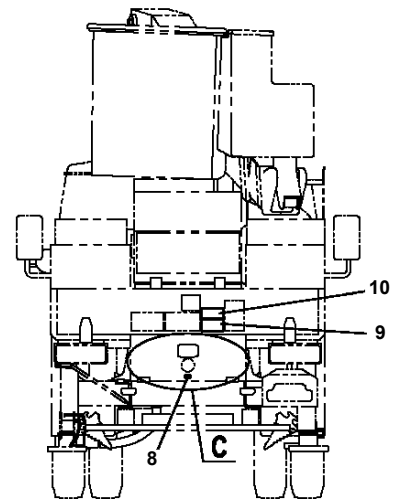
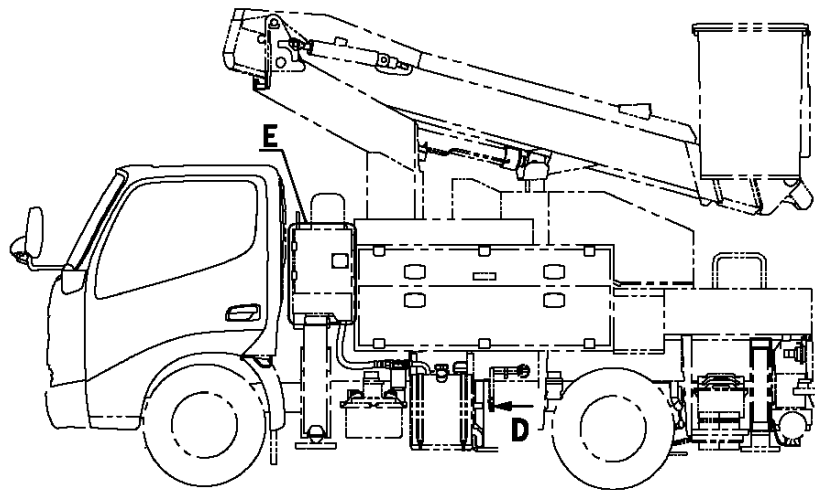
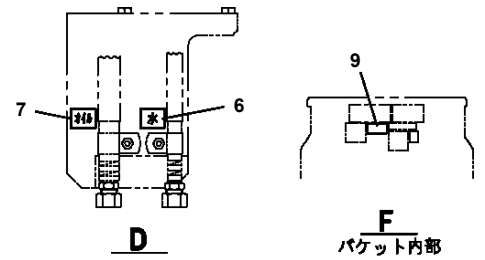
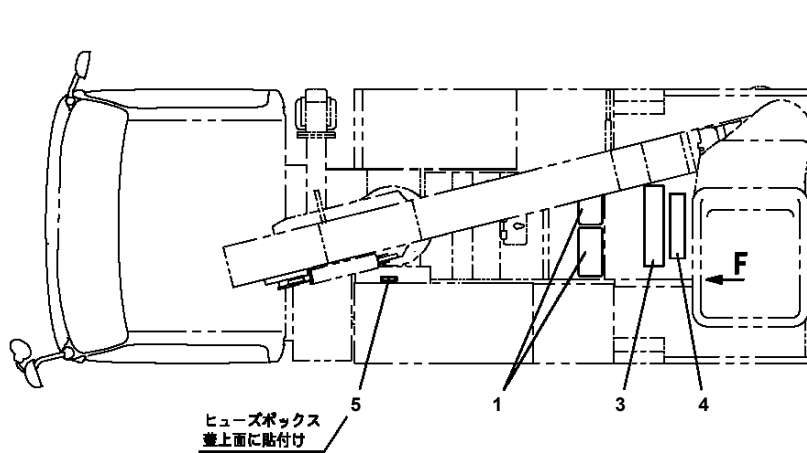
AT-110-5 42084542394 UPPER,LOWER,ISUZU TPG-NKR85AN-EE5AHY-JM
PN1350111-02 REEL,CORD



AT-110-5 42084542394 UPPER,LOWER,ISUZU TPG-NKR85AN-EE5AHY-JM
PN5011327-00 NAME PLATE ASSY (BUCKET CONTROLS)



**AT-110-5 42084542394 UPPER,LOWER,ISUZU TPG-NKR85AN-EE5AHY-JM
PN5011332-00 NAME PLATE ASSY (L SPECIFICATION)**



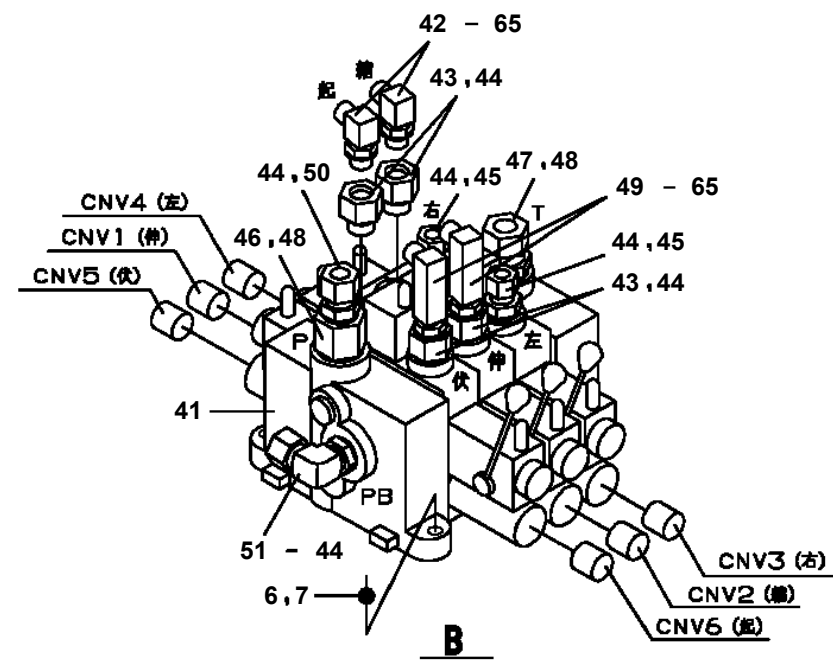
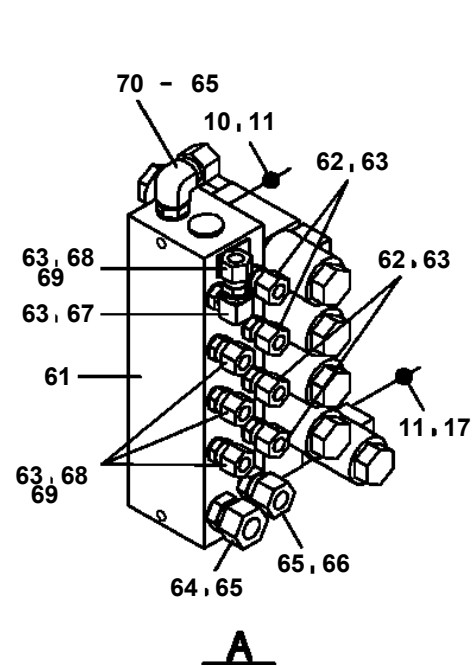
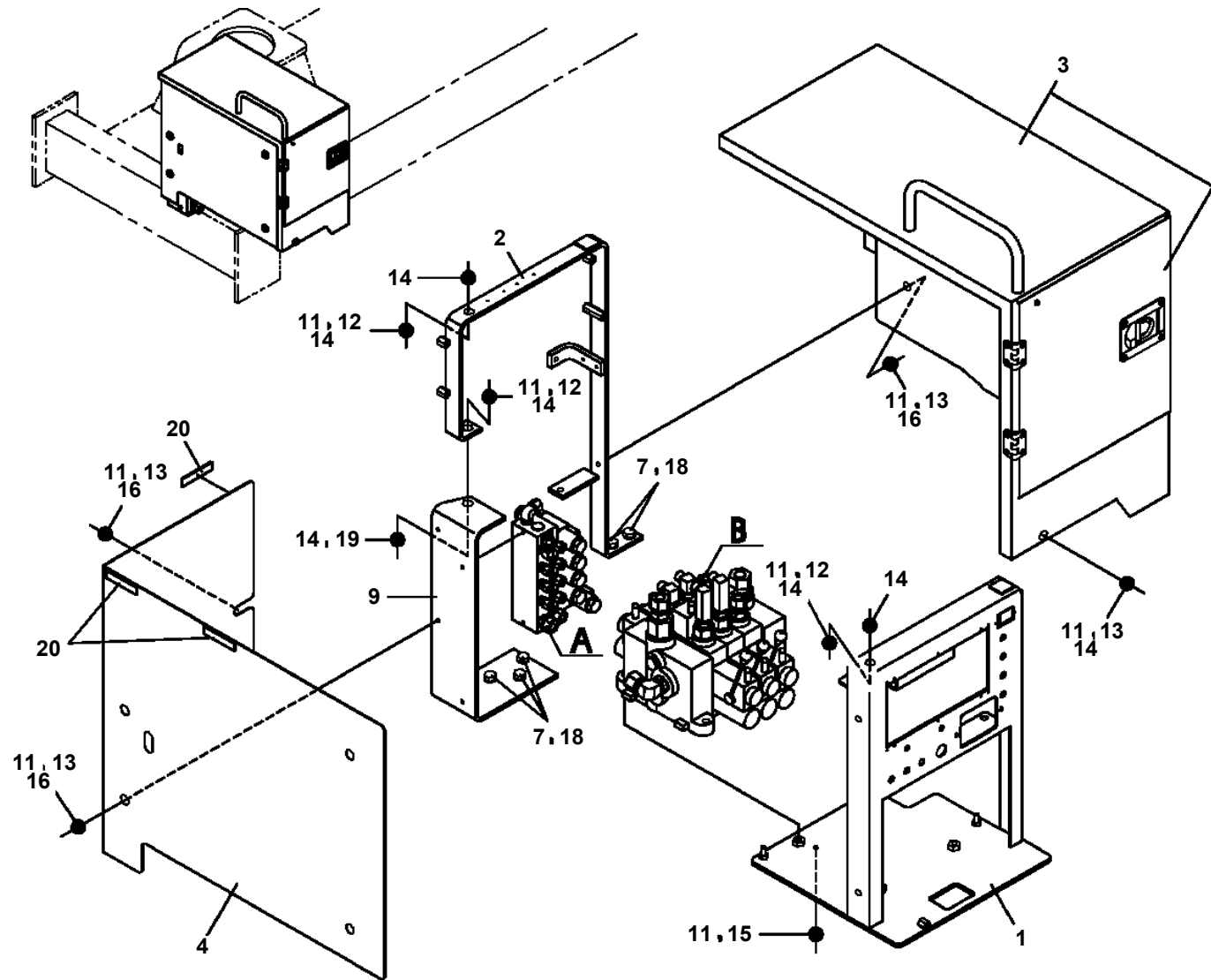
AT-110-5 42084542394 UPPER,LOWER,ISUZU TPG-NKR85AN-EE5AHY-JM

Pos No.	Parts No	Parts Name	Qty	Unit	Technical Data	Serial No (Start)	Serial No (End)	Rem
3	90451700100	SCREW,TAPPING	4		M4X6.4			
4	42591942010	PLATE,NAME	1					
5	37002216230	PLATE,NAME (HIGH/LOW)	1					
7	42394271100	PLATE (NON-SLIP)	1					
8	34393926540	PLATE (NON-SLIP)	2					
9	42393891070	PLATE (NON-SLIP)	2					
10	42397246010	PLATE (NON-SLIP)	2					
11	34393926550	PLATE (NON-SLIP)	1					
12	42834433300	PLATE (NON-SLIP)	2					
13	42398131040	PLATE (NON SLIP)	2					
14	42398402080	PLATE (NON-SLIP)	1					
15	42392000150	PLATE (NON-SLIP)	2					
16	32940951010	PLATE (NON-SLIP)	2					
17	42944550160	PLATE,NAME	1					
31	37002228460	PLATE,NAME (BLUE & BLACK)	2					
32	37002228470	PLATE,NAME (WHITE & WHITE)	2					

AT-110-5 42084542394 UPPER,LOWER,ISUZU TPG-NKR85AN-EE5AHY-JM

Pos No.	Parts No	Parts Name	Qty	Unit	Technical Data	Serial No (Start)	Serial N
1	42450951010	PLATE,CAUTION (HYDRAULIC OIL ISO VG22)	1				

**AT-110-5 42084542394 UPPER,LOWER,ISUZU TPG-NKR85AN-EE5AHY-JM
PO5080266-00 OPE.ASSY,CONT.VALVE**



AT-110-5 42084542394 UPPER,LOWER,ISUZU TPG-NKR85AN-EE5AHY-JM

Pos No.	Parts No	Parts Name	Qty	Unit	Technical Data	Serial No (Start)	Serial No (End)
1	42508701010	PLATE,NAME (AC100V,FUSE,15A)	1				
2	42501481100	HOLDER ASSY(FUSE,WITH HARNESS)	2				
3	42654790300	BOX ASSY	1				
4	42477640090	PLATE,NAME (AC100V)	1				
5	90180208030	BOLT,BUTTON	2		M8X30		
6	90240200800	NUT,CAP	2		M8		
7	90302040801	WASHER,SPRING	4		8		
8	90303070801	WASHER,PLAIN	4		8		
9	42511691200	SUPPORT	1				
10	90101208020	BOLT	2		M8X20		
11	91810132530	FASTENER	1				
32	82100001348	FUSE	2		15A,6.5X30		

AT-110-5 42084542394 UPPER,LOWER,ISUZU TPG-NKR85AN-EE5AHY-JM

Pos No.	Parts No	Parts Name	Qty	Unit	Technical Data	Serial No (Start)	Serial No (End)	Remarks	Page
1	37002512000	HOSE	1		L=1000				
2	37000805050	JOINT	1						
3	91803600160	CLIP	8		D=11-16				
4	37000803300	JOINT	1						
5	80307040020	JOINT,SOCKET	1						
6	37000911190	JOINT	2						
7	82100002040	CLAMP	2		WE15				
8	82100002009	CLAMP	1		WRC12				
9	42712320100	SUPPORT	1						
10	90101208016	BOLT	1		M8X16				
11	90201200800	NUT	4		M8				
12	90302040801	WASHER,SPRING	4		8				
13	91810132530	FASTENER	5						
15	82100001804	TUBE,CORRUGATE	1	M	15				

AT-110-5 42084542394 UPPER,LOWER,ISUZU TPG-NKR85AN-EE5AHY-JM

Pos No.	Parts No	Parts Name	Qty	Unit	Technical Data	Serial No (Start)	Serial No (End)	Remarks	Pages
1	81408000160	PIPE,STEEL	2	M	12X1.4T				
2	81408000160	PIPE,STEEL	2	M	12X1.4T				
3	81408000160	PIPE,STEEL	1	M	12X1.4T				
4	81408000160	PIPE,STEEL	1	M	12X1.4T				
5	37000711080	CLAMP ASSY	2		12-2				
6	37000300740	SLEEVE	4		18-12				
7	37000711430	CLAMP ASSY	1		18X4				
8	81408000160	PIPE,STEEL	1	M	12X1.4T				
9	81408000160	PIPE,STEEL	1	M	12X1.4T				
10	80303130161	FITTING,ELBOW	2		KLO12-030E				
11	80400160127	JOINT	2						
12	91002801100	O-RING	4		1B P11				
13	37012402410	HOSE	2		L=6300				
14	42347333000	SUPPORT	1						
15	90302040801	WASHER,SPRING	8		8				
16	80306010105	NUT	6		KKN12-000E				
17	90101208018	BOLT	8		M8X18				
18	80320010075	FITTING	2		KUD12-020N				
19	42347332000	ROLLER ASSY	1						
20	42347331000	SHEAVE ASSY	1						
21	90203201200	NUT	4		M12				
22	90303071201	WASHER,PLAIN	4		12				
23	37000312510	SPACER	2		L=27.5				
24	90102212120	BOLT	2		M12X120				
25	90201201200	NUT	2		M12				
26	90302041201	WASHER,SPRING	2		12				
27	80320020075	FITTING	2		KUF12-020N				
28	81408000160	PIPE,STEEL	1	M	12X1.4T				
29	81408000160	PIPE,STEEL	1	M	12X1.4T				
30	80305010100	FITTING,TEE	2		KTA12-000N				
31	37000934260	JOINT	2						
32	37012409060	HOSE	1		L=670				
33	37012409070	HOSE	1		L=600				
35	37002485420	HOSE	1		L=460				
36	37002485410	HOSE	1		L=460				
37	80309010105	SLEEVE	6		KK012-000E				
38	37000714020	CLAMP ASSY	1		12X2				
39	91810132530	FASTENER	1						
40	91000501100	O-RING	4						
41	80461002216	JOINT	2						
51	91002801400	O-RING	2		1B P14				
64	91810130230	FASTENER	6						
71	42347332100	SUPPORT	1						
72	37010101740	PIN	1		8				
73	42347332010	ROLLER	2						
74	90303100801	WASHER,PLAIN	4		8				
75	80136320016	PIN,SPLIT	2		2X16				
91	42347331100	SHEAVE	1						
92	42346462200	PIN	1		27.2X2.8				
93	80136363050	PIN,SPLIT	2		6.3X50				

AT-110-5 42084542394 UPPER,LOWER,ISUZU TPG-NKR85AN-EE5AHY-JM

Pos No.	Parts No	Parts Name	Qty	Unit	Technical Data	Serial No (Start)	Serial No (End)	Remarks	P
1	36361365060	RADIATOR ASSY	1						
2	36361361110	HOSE (WATER/UPPER)	1						
3	36361361120	HOSE (WATER/LOWER)	1						
4	36361361130	CLAMP (HOSE)	2		45				
5	36361361140	CLAMP (HOSE)	2		38				
6	36361361150	CUSHION (RADIATOR)	2						
7	36361361160	CUSHION	2						
8	36361361170	SPACER	2						
101	36361365150	SHROUD	1						
102	36361365140	RADIATOR	1						
201	36361365130	CAP (RADIATOR)	1						

AT-110-5 42084542394 UPPER,LOWER,ISUZU TPG-NKR85AN-EE5AHY-JM

Pos No.	Parts No	Parts Name	Qty	Unit	Technical Data	Serial No (Start)	Serial No (End)	Remarks	P
10	42508690000	ROPE ASSY (YELLOW)	1						

AT-110-5 42084542394 UPPER,LOWER,ISUZU TPG-NKR85AN-EE5AHY-JM

Pos No.	Parts No	Parts Name	Qty	Unit	Technical Data	Serial No (Start)	Serial No (End)	Remarks
1	42974270100	SUPPORT	1					
2	42974270200	PLATE,SLIDE	1					
3	90172108012	BOLT,HEXAGON SOCKET	3		M8X12			

AT-110-5 42084542394 UPPER,LOWER,ISUZU TPG-NKR85AN-EE5AHY-JM

Pos No.	Parts No	Parts Name	Qty	Unit	Technical Data	Serial No (Start)	Serial No (End)
1	82105210207	SWITCH,TOGGLE	1				
2	82105220112	SWITCH,TOGGLE	1				
3	82105900010	SWITCH,TOGGLE	1				
100	42333621100	SWITCH ASSY (WITH HARNESS,3 SW)	1				

AT-110-5 42084542394 UPPER,LOWER,ISUZU TPG-NKR85AN-EE5AHY-JM

Pos No.	Parts No	Parts Name	Qty	Unit	Technical Data	Serial No (Start)	Serial No (End)	Remarks	Page
1	82109113022	SWITCH,EMITTER	1						
2	82109103022	SWITCH,RECEIVER	1						
100	42505633301	SWITCH ASSY	1						

AT-110-5 42084542394 UPPER,LOWER,ISUZU TPG-NKR85AN-EE5AHY-JM

Pos No.	Parts No	Parts Name	Qty	Unit	Technical Data	Se
1	42470980100	SWITCH,PUSH	1			
2	82100002220	CABLE	3	M		
3	82100002173	CONNECTOR	1			
10	42470983000	SWITCH BOX (ELECTRIC BOOSTER, 3M,NANABOSI,SINKOU DENKI)	1			

AT-110-5 42084542394 UPPER,LOWER,ISUZU TPG-NKR85AN-EE5AHY-JM

Pos No.	Parts No	Parts Name	Qty	Unit	Technical Data	Serial No (Start)	Serial No (End)	Remarks	Page
5	91002902500	O-RING	4		1B G25				
8	80316090020	PLUG	4		KKT PT1/8				
9	36606975020	PLUG	1						
10	91002801400	O-RING	1		1B P14				
12	16066241000	SPRING	1						
100	36606970000	VALVE ASSY,RELIEF	1						

AT-110-5 42084542394 UPPER,LOWER,ISUZU TPG-NKR85AN-EE5AHY-JM

Pos No.	Parts No	Parts Name	Qty	Unit	Technical Data	Serial No (Start)	Serial No (End)	Remarks
1	42470343000	MAT (FOR BUCKET INNER)	1					

AT-110-5 42084542394 UPPER,LOWER,ISUZU TPG-NKR85AN-EE5AHY-JM

Pos No.	Parts No	Parts Name	Qty	Unit	Technical Data	Serial No (Start)	Serial No (End)	Remarks	Pages
1	42461681000	WEDGE (YELLOW)	1						

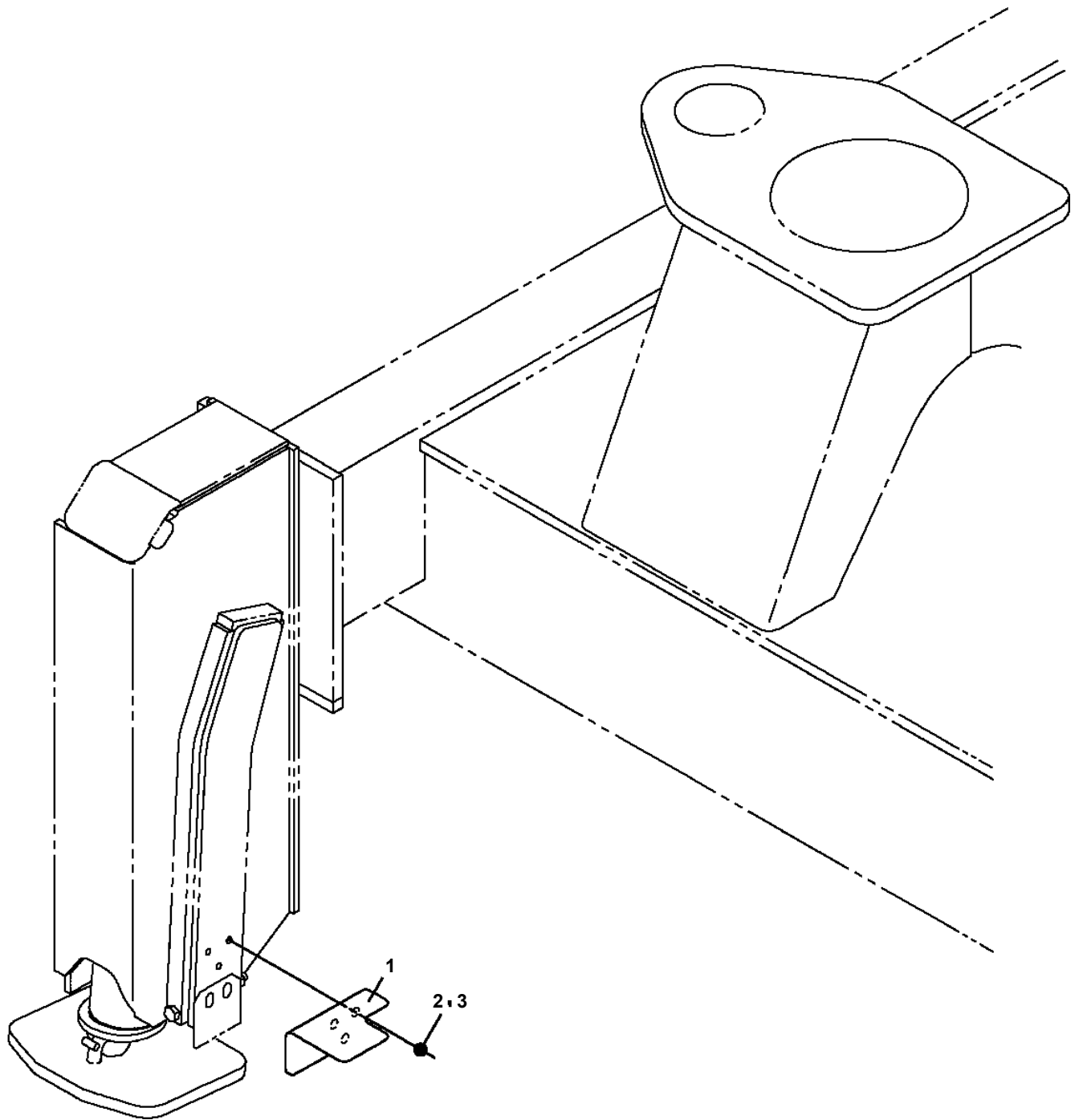
AT-110-5 42084542394 UPPER,LOWER,ISUZU TPG-NKR85AN-EE5AHY-JM

Pos No.	Parts No	Parts Name	Qty	Unit	Technical Data	Serial No (Start)	Serial M
1	(*****)	EARTH ASSY	1				
2	(*****)	MOUNT ASSY,GUARD	1				
3	(*****)	MOUNT ASSY,GUARD (L UNIT COVER)	1				
11	(*****)	MOUNT ASSY,TOOL BOX (LEFT/RIGHT,2-DECK)	1				

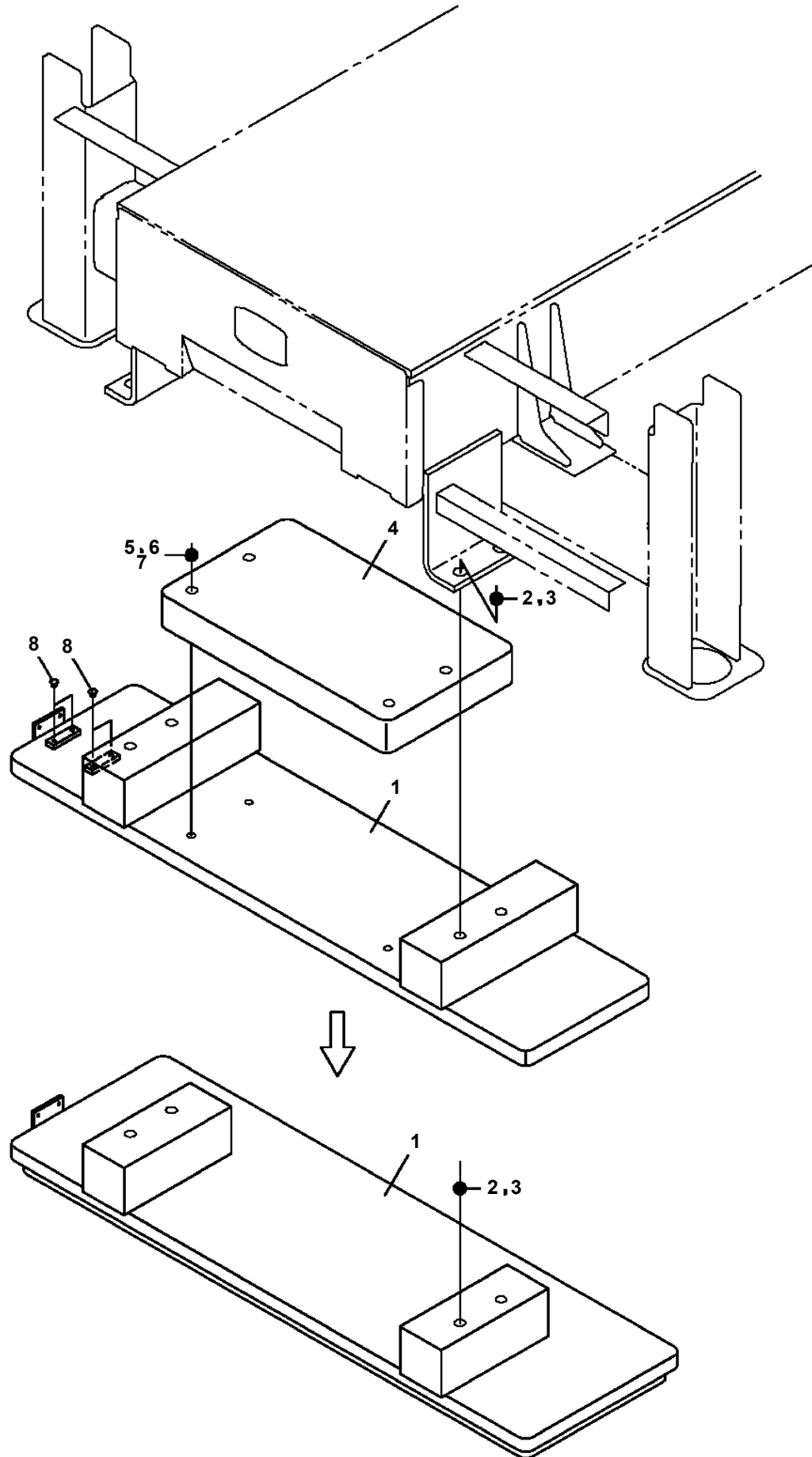
AT-110-5 42084542394 UPPER,LOWER,ISUZU TPG-NKR85AN-EE5AHY-JM

Pos No.	Parts No	Parts Name	Qty	Unit	Technical Data	Serial No (Start)	Serial No (End)	Remarks
2	90101212030	BOLT	8		M12X30			
3	90302041201	WASHER,SPRING	8		12			
4	90303071201	WASHER,PLAIN	8		12			
21	(*****)	MOUNT ASSY,POWER TRAIN	1					
22	(*****)	EXHAUST ASSY	1					
23	(*****)	ELEC.ASSY (ENGINE UNIT)	1					
24	(*****)	PIPING ASSY (ENGINE UNIT)	1					
25	(*****)	COVER ASSY (ENGINE UNIT)	1					

AT-110-5 42084542394 UPPER,LOWER,ISUZU TPG-NKR85AN-EE5AHY-JM
PX5670014-00 MOUNT ASSY,STEP



AT-110-5 42084542394 UPPER,LOWER,ISUZU TPG-NKR85AN-EE5AHY-JM
PX5820039-01 MOUNT ASSY,WEIGHT



AT-110-5 42084542394 UPPER,LOWER,ISUZU TPG-NKR85AN-EE5AHY-JM

Pos No.	Parts No	Parts Name	Qty	Unit	Technical Data	Serial No (Start)	Serial No (End)	Re
1	42473857510	SCREW	4					
2	42473857515	SPRING	4					
3	80560053000	BALL,STEEL	4		1/8			
4	42470027510	HEAD (SCM)	1					
5	42473857530	SPRING	1					
6	42473857535	PIN	1					
7	42470027520	COLLAR	1					
8	42473857545	SPRING	1					
9	42473857550	PISTON	1					
10	91411003500	RING,BACKUP	1					
11	91001103500	O-RING	1		1A P35			
12	42470027530	CYLINDER	1					
13	42473857570	HOLDER	1					
14	42473857575	CAP	1					
15	91001101400	O-RING	1		1A P14			
16	42473857580	CAP	1					
17	42473857590	COVER	1					
18	42473857595	BUTTON (PUSH)	1					
19	42473857600	SPRING	1					
20	42473857605	SWITCH	1					
21	42473857610	HOLDER (SWITCH)	1					
22	42473857615	SCREW	1					
24	42473857620	BINDER	4					
25	42473857625	TUBE	1					
26	42473857630	TUBE	1					
27	42473857635	TUBE	1					
28	42473857640	BINDER	6					
29	42473857645	HOSE	1					
30	42473857650	JOINT	1					
31	42473857655	CABLE	1					
32	82100002173	CONNECTOR	1					
38	80136320010	PIN,SPLIT	1		2X10			
39	42473857675	SEPARATOR	1					
61	42473857670	PROTECTOR ASSY	1					
62	42473857690	CLAMP ASSY	1					
100	42470020000	CLAMP HEAD (IZUMI 8TON,2.5M)	1					

AT-110-5 42084542394 UPPER,LOWER,ISUZU TPG-NKR85AN-EE5AHY-JM

Pos No.	Parts No	Parts Name	Qty	Unit	Technical Data	Serial No (Start)	Serial No (E
1	42470367510	HOOK	1				
2	42470367520	CYLINDER	1				
3	42470367530	HOLDER (DIES)	1				
4	42470367540	STEM	1				
5	42470367550	SPRING (RETURN)	1				
6	42470367560	SEAT,SPRING	1				
7	42470367570	RING,STOP	1				
8	80720103006	PIN,SPRING	1		3X6		
9	91001104000	O-RING	1		1A P40		
10	42470367580	RING (B)	1				
12	42470367590	NOTCH	1				
13	42470367600	PIECE (B)	1				
14	42470367610	PIN (SCREW)	1				
15	42470367620	SPRING ASSY	1				
16	42470367630	PIECE (AL)	1				
17	42470367640	SPRING	1				
18	42470367650	KNOB	1				
19	80720102012	PIN,SPRING	1		2X12		
20	80720103008	PIN,SPRING	1		3X8		
21	42470367660	GUIDE	1				
22	90131505008	BOLT,HEXAGON SOCKET	1		M5X8		
23	90304110501	WASHER (LOCK)	1		5		
24	42470367670	SCRAPER	1				
25	42470367680	SPACER	1				
26	42470367690	BOLT,HEXAGON SOCKET	1				
27	42470367700	NIPPLE	1				
28	42470367710	JOINT,SELF SEALING (WITH CAP)	1				
29	42470367720	GRIP	1				
30	42470367730	PLATE,NAME	1				
31	42470367740	COVER (SAFETY)	1				
50	42470365000	CLAMP HEAD (SANWA,12TON,TITANIUM)	1				

AT-110-5 42084542394 UPPER,LOWER,ISUZU TPG-NKR85AN-EE5AHY-JM

Pos No.	Parts No	Parts Name	Qty	Unit	Technical Data	Serial No (Start)	Serial No (End)	Remarks	P
1	42472670000	ROPE (SAFETY,WHITE)	1						

AT-110-5 42084542394 UPPER,LOWER,ISUZU TPG-NKR85AN-EE5AHY-JM

Pos No.	Parts No	Parts Name	Qty	Unit	Technical Data	Serial No (Start)	Serial No (End)
5	80456210600	JOINT,SELF SEALING	2				
10	42472480000	HOSE,BOOSTER (FEMALE-FEMALE,3M)	1				

AT-110-5 42084542394 UPPER,LOWER,ISUZU TPG-NKR85AN-EE5AHY-JM

Pos No.	Parts No	Parts Name	Qty	Unit	Technical Data	Serial No (Start)	Serial No (End)
5	80456210600	JOINT,SELF SEALING	2				
10	42472130000	HOSE,BOOSTER (FEMALE-FEMALE,5M)	1				

AT-110-5 42084542394 UPPER,LOWER,ISUZU TPG-NKR85AN-EE5AHY-JM

Pos No.	Parts No	Parts Name	Qty	Unit	Technical Data	Serial No (Start)	Serial No
1	80456210600	JOINT,SELF SEALING	1				
2	42470367810	HOSE ASSY	1		8M		
3	42470362100	JOINT,SELF SEALING	1				
4	42470367820	HOSE,AIR	1		8M		
5	42470362200	PUMP	1				
6	80456240600	JOINT,SELF SEALING (WITH DUST CAP)	1				
7	42470367840	TUBE	2		25X0.15M		
8	42470367780	JOINT	1				
21	42471437520	CAP	1				
50	42470364000	HOSE,BOOSTER (WITH AIR BALLOON,8M)	1				

AT-110-5 42084542394 UPPER,LOWER,ISUZU TPG-NKR85AN-EE5AHY-JM

Pos No.	Parts No	Parts Name	Qty	Unit	Technical Data	Serial No (Start)	Serial No (End)	Remarks
1	42472650000	HANGER (FOR BUCKET)	1					

AT-110-5 42084542394 UPPER,LOWER,ISUZU TPG-NKR85AN-EE5AHY-JM

Pos No.	Parts No	Parts Name	Qty	Unit	Technical Data	Se
1	42470020000	CLAMP HEAD (IZUMI 8TON,2.5M)	1			
	42972380000	CLAMP HEAD ASSY (YONDENKO/SAFETY HOSE)	1			
	42470590000	CLAMP HEAD (O.D.K 7.5TON 3M)	1			
	42470180000	CLAMP HEAD (IZUMI 12TON 2.5M)	1			
	42472640000	CLAMP HEAD (IZUMI 8TON 3.5M ELECTRIC)	1			
2	(*****)	CLAMP HEAD (SANWA,12TON)	1			
	42470365000	CLAMP HEAD (SANWA,12TON,TITANIUM)	1			
	42471070000	CLAMP HEAD (O.D.K 10TON ELECTRIC)	1			
3	42972390000	CUTTER HEAD ASSY (YONDENKO/SAFETY HOSE)	1			
	42470030000	CUTTER HEAD (IZUMI 6.4TON 2.5M ELECTRIC)	1			
	42470530000	CUTTER HEAD (IZUMI 6.4TON AIR)	1			
4	(*****)	HOSE,BOOSTER (WITH AIR BALLOON)	1			
	42470364000	HOSE,BOOSTER (WITH AIR BALLOON,8M)	1			
	42470363000	HOSE,BOOSTER (WITH AIR BALLOON,5M)	1			
	42471800000	HOSE,BOOSTER (WITH AIR BALLOON,2M)	1			
5	42472480000	HOSE,BOOSTER (FEMALE-FEMALE,3M)	1			
	42472130000	HOSE,BOOSTER (FEMALE-FEMALE,5M)	1			
	42471085000	HOSE,BOOSTER (MALE-FEMALE,5M)	1			
	42471084000	HOSE,BOOSTER (MALE-FEMALE,8M)	1			
	42471080000	HOSE,BOOSTER (MAIL-FEMALE,3M)	1			
6	(*****)	HOSE,BOOSTER (3M)	1			
7	42471561000	HOSE,BOOSTER (SMALL,WITH AIR BALLOON)	1			
	42506280000	HOSE,BOOSTER (LARGE,AIR BALLOON ONLY)	1			
11	42509150000	SWITCH ASSY (ELEC.BOOSTER, REMOTE:2M,NANABOSI,KASUGA)	1			
	42470980000	SWITCH BOX (FOR BOOSTER)	1			
	42470983000	SWITCH BOX (ELECTRIC BOOSTER, 3M,NANABOSI,SINKOU DENKI)	1			
	42470984000	SWITCH BOX (ELECTRIC BOOSTER, 8M,NANABOSI,SINKOU DENKI)	1			
	42509170000	SWITCH ASSY (ELEC.BOOSTER, REMOTE:5M,NANABOSI,KASUGA)	1			
	42509160000	SWITCH ASSY (ELEC.BOOSTER, REMOTE:3M,NANABOSI,KASUGA)	1			
	42470985000	SWITCH BOX (ELECTRIC BOOSTER, 5M,NANABOSI,SINKOU DENKI)	1			
12	(*****)	SWITCH INSTALLATION	1			
18	(*****)	PRUNER ASSY	1			
19	42471270000	DRIL,HYDRAULIC	1			
20	(*****)	WRENCH,IMPACT (HYDRAULIC)	1			
21	42460021000	BELT,SAFETY	1			
	42461162000	FALL ARREST SYSTEM (TB-LSA-550/FUJII-DENKO)	1			
22	42470050000	ROPE (SAFETY,1.5M,WITH HOOK)	1			
23	42472670000	ROPE (SAFETY,WHITE)	1			
24	42472650000	HANGER (FOR BUCKET)	1			
	42474540000	HANGER (FOR BUCKET,FRP)	1			
26	42474030000	STEP,BUCKET (GRAY,FOR BUCKET INNER)	1			
	42473340000	STEP,BUCKET	1			
27	42503180000	BOX,TOOL (FOR BUCKET,FRP)	1			
28	42472530000	BOX,TOOL (FOR BUCKET)	1			
29	42472990000	BOX,TOOL (FOR BUCKET)	1			
30	(*****)	WOOD BLOCK (OPTION)	4			
31	(*****)	PUMP,GREASE (400CC)	1			
32	42473931000	TOOLS	1			
33	(*****)	EARTH ASSY	1			
48	42508690000	ROPE ASSY (YELLOW)	1			
52	42461681000	WEDGE (YELLOW)	1			
53	42973990100	SUPPORT (7 DEGREES ANGLE METER MOUNTING)	1			
54	42974561000	BLOCK,WOOD	1			
55	42516080000	MAT	1			

AT-110-5 42084542394 UPPER,LOWER,ISUZU TPG-NKR85AN-EE5AHY-JM

Pos No.	Parts No	Parts Name	Qty	Unit	Technical Data	Serial No (Start)	Serial No (End)	Remarks	Pa
1	42474421100	SWITCH	1						
2	90201200600	NUT	2		M6				
3	90302040601	WASHER,SPRING	2		6				
4	91810132530	FASTENER	5						
5	82100002002	CLAMP	1		WR6				
6	89671101500	TUBE	1		L=1500				
7	42475511100	JOINT,SELF SEALING	1						
8	91810130230	FASTENER	2						
9	42310040050	ROPE (TETORON)	1	M					
10	82100001735	SLEEVE	2						
11	91850700101	CLAMP	1		L=208				
12	91810130250	FASTENER	1						

CLICK HERE TO **DOWNLOAD** THE COMPLETE MANUAL

- Thank you very much for reading the preview of the manual.
- You can download the complete manual from: www.heydownloads.com by clicking the link below



- Please note: If there is no response to CLICKING the link, please download this PDF first and then click on it.

CLICK HERE TO **DOWNLOAD** THE COMPLETE MANUAL