

AT-110-5 42084541797 UPPER,LOWER,ISUZU TPG-NKR85AN-EE5AHY-JM

PB0000275-02 UPPER STRUCTURE SYSTEM

PB0000500-02 LOWER STRUCTURE SYSTEM

ASSEMBLY

CLICK HERE TO **DOWNLOAD** THE COMPLETE MANUAL

- Thank you very much for reading the preview of the manual.
- You can download the complete manual from: www.heydownloads.com by clicking the link below



- Please note: If there is no response to CLICKING the link, please download this PDF first and then click on it.

CLICK HERE TO **DOWNLOAD** THE COMPLETE MANUAL

AT-110-5 42084541797 UPPER,LOWER,ISUZU TPG-NKR85AN-EE5AHY-JM

PY1590012-00 HOSE,BOOSTER (WITH AIR BALLOON,5M)
PY1590013-00 HOSE,BOOSTER (WITH AIR BALLOON,8M)
PY1640000-01 DRIL,HYDRAULIC
PY1680000-02 WRENCH,IMPACT (HYDRAULIC)
PY1760001-00 STEP,BUCKET
PY1760003-00 STEP,BUCKET (GRAY,FOR BUCKET INNER)
PY1790001-00 HANGER (FOR BUCKET)
PY1790004-01 HANGER (FOR BUCKET,FRP)
PY1930004-00 BLOCK,RUBBER (WAZUMI)
PY1930005-00 BLOCK,RUBBER (NAKAMURA)
PY2000164-07 OPTIONS,2 (UPPER)
PY2120000-00 BOX,TOOL (FOR BUCKET)
PY2120001-00 BOX,TOOL (FOR BUCKET)
PY2120005-00 BOX,TOOL (FOR BUCKET,FRP)
PY2350004-01 SWITCH,BOOSTER
PY2350006-01 SWITCH,BOOSTER
PY4000033-02 OPTION UNIT,1 (LOWER)
PY5020164-00 ACCESSORIES ASSY (WITHOUT BLOCK,RUBBER)
PY5310003-00 AUTOMATIC MOTION CONTROLLER
PY5360042-00 ACCESSORY LIST (ENGINE)
PZ0000000-00 MAT

AT-110-5 42084541797 UPPER,LOWER,ISUZU TPG-NKR85AN-EE5AHY-JM

Pos No.	Parts No	Parts Name	Qty	Unit	Technical Data	Serial No (Start)	Serial No (End)	Remarks	P
1	82119434100	CONNECTOR	1						
2	42356280010	HARNESS	1						
3	91810130240	FASTENER	5						
4	42477640080	PLATE,NAME	1						
5	42350250070	PLUG (2 POLES,MALE)	1						
6	80175304016	SCREW,MACHINE	2		M4X16				

AT-110-5 42084541797 UPPER,LOWER,ISUZU TPG-NKR85AN-EE5AHY-JM
PB5250009-00 BOOSTER ASSY,ELECTRICITY (40T,PULSE B,SANWA)

ブースタASSY,エレキ(40T,カリホシツキ,ハルスシキB,サンワ)
BOOSTER ASSY,ELECTRICITY (40T,PULSE B,SANWA)

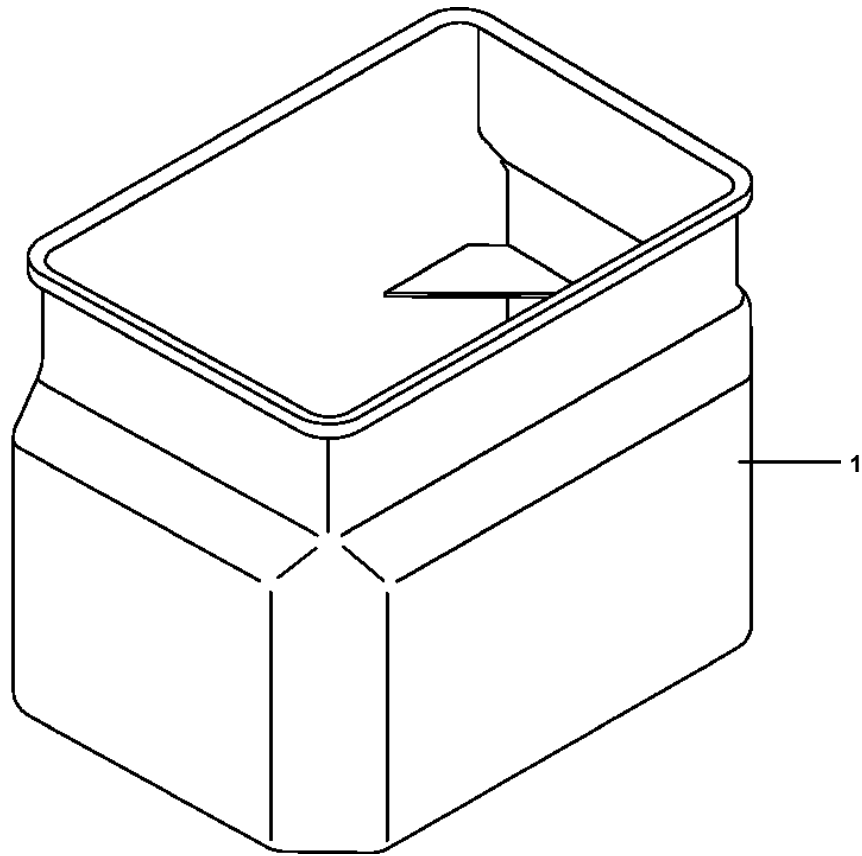
40t,仮保持付パルス式油圧取出付エレキ式操作(三和)

指示番号 KEY NO.	部品名称 PART NAME	備考 REMARK
1	ブースタASSY BOOSTER ASSY	40t,仮保持付きブースタ
2	ネームプレートASSY NAME PLATE ASSY	銘板
3	ハイカンASSY PIPING ASSY	ブーム・旋回台部
4	ハイカンASSY PIPING ASSY	サブフレーム部ハイカン
5	ハイセンASSY ELEC.ASSY	サブフレーム部ハイセン
6	スイッチASSY SWITCH ASSY	エレキ式操作スイッチ(三和)
7	マウントASSY MOUNT ASSY	バケット部
10	パネルASSY PANEL ASSY	バケット部操作パネル

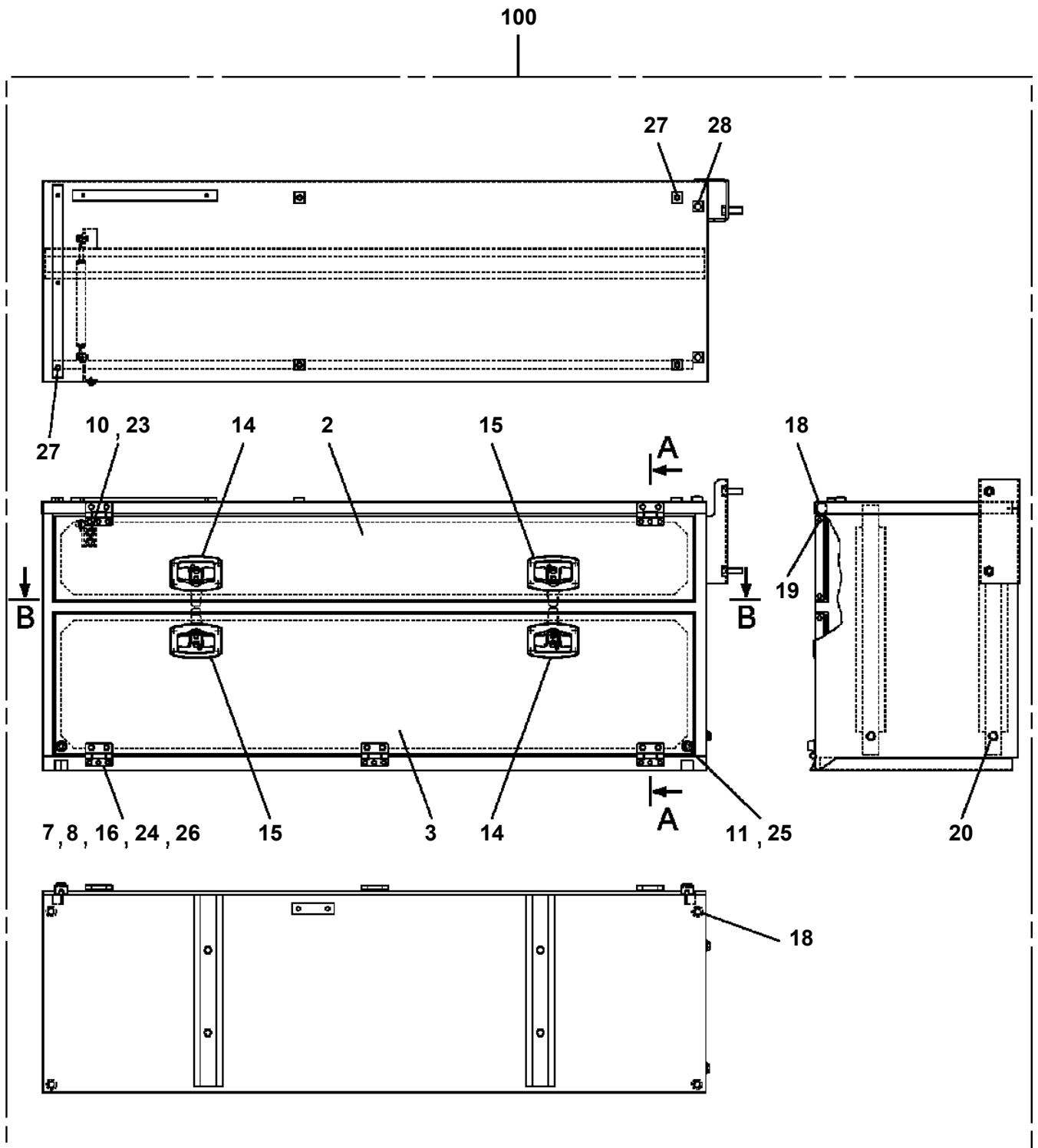
適用製造番号によっては取り付けがないものもあります。

MACHINES OF SOME SERIAL NO. ARE NOT EQUIPPED WITH THESE PARTS.

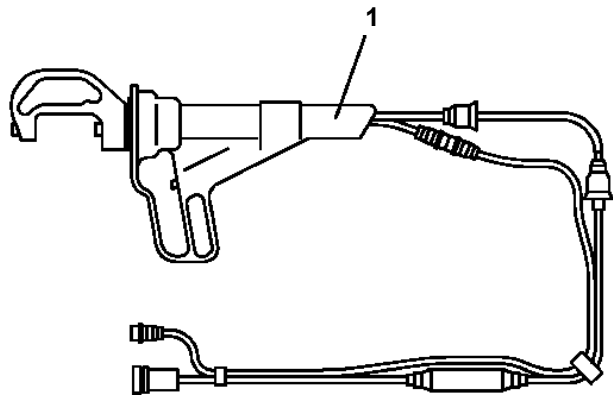
**AT-110-5 42084541797 UPPER,LOWER,ISUZU TPG-NKR85AN-EE5AHY-JM
PB5340006-00 BUCKET (WHITE/WITHOUT BOSS)**



AT-110-5 42084541797 UPPER,LOWER,ISUZU TPG-NKR85AN-EE5AHY-JM
PB5410073-00 BOX,TOOL



**AT-110-5 42084541797 UPPER,LOWER,ISUZU TPG-NKR85AN-EE5AHY-JM
PC5250001-00 CLAMP HEAD ASSY (YONDENKO/SAFETY HOSE)**



**AT-110-5 42084541797 UPPER,LOWER,ISUZU TPG-NKR85AN-EE5AHY-JM
PC5390019-00 CONTROL ASSY,OUTRIGGER (VEHICLE AUTO LEVELING/ISUZU)**

コントロールASSY,アウトリガ* (シヤタイジ* ト* ウスイヘイ/イスズ*)
CONTROL ASSY,OUTRIGGER (VEHICLE AUTO LEVELING/ISUZU)

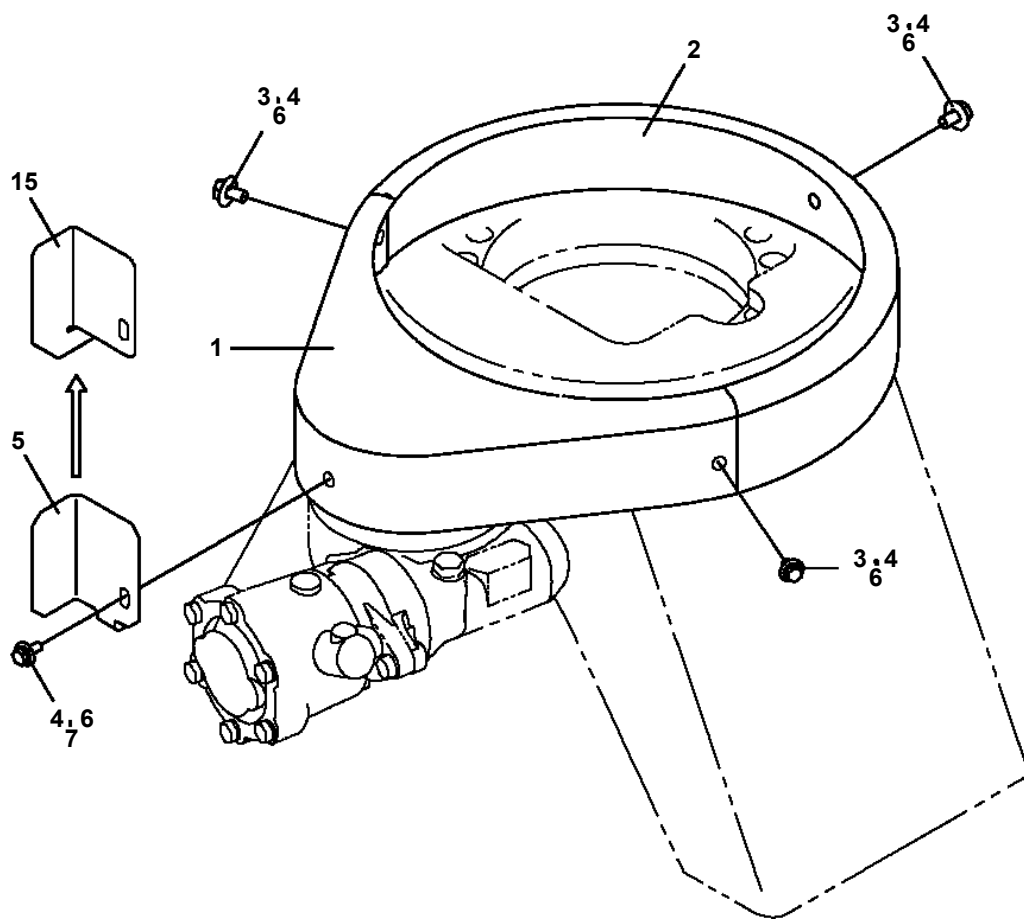
いすゞ車用

指示番号 KEY NO.	部品名称 PART NAME	備考 REMARK
1	ハイセンASSY ELEC.ASSY	フレーム配線
4	ハイセンASSY ELEC.ASSY	キヤリヤ配線:いすゞ架装
5	ネームプレートASSY NAME PLATE ASSY	個別操作時の注意
7	ハイカンASSY PIPING ASSY	ジャッキ絞り追加

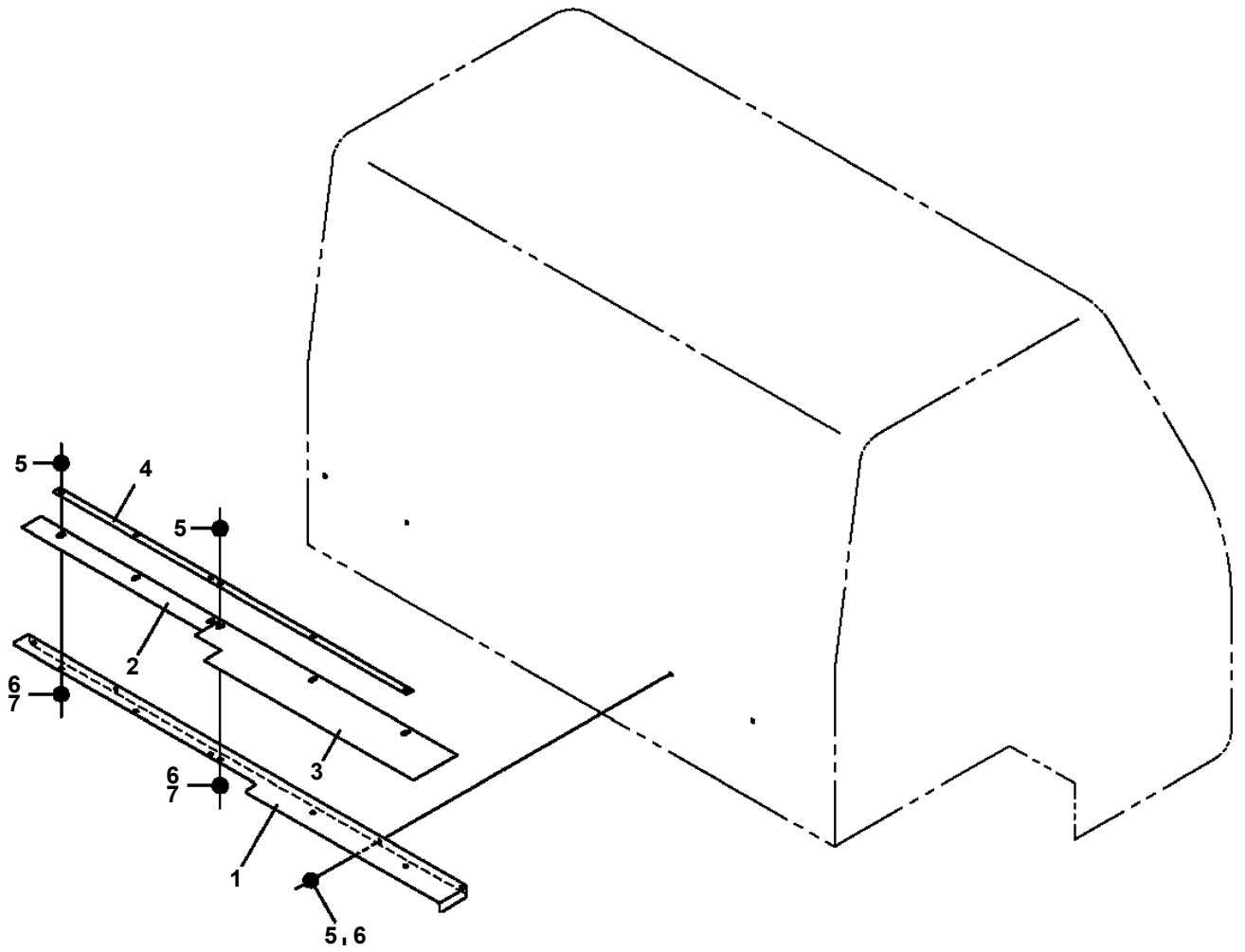
適用製造番号によっては取り付けがないものもあります。

MACHINES OF SOME SERIAL NO. ARE NOT EQUIPPED WITH THESE PARTS.

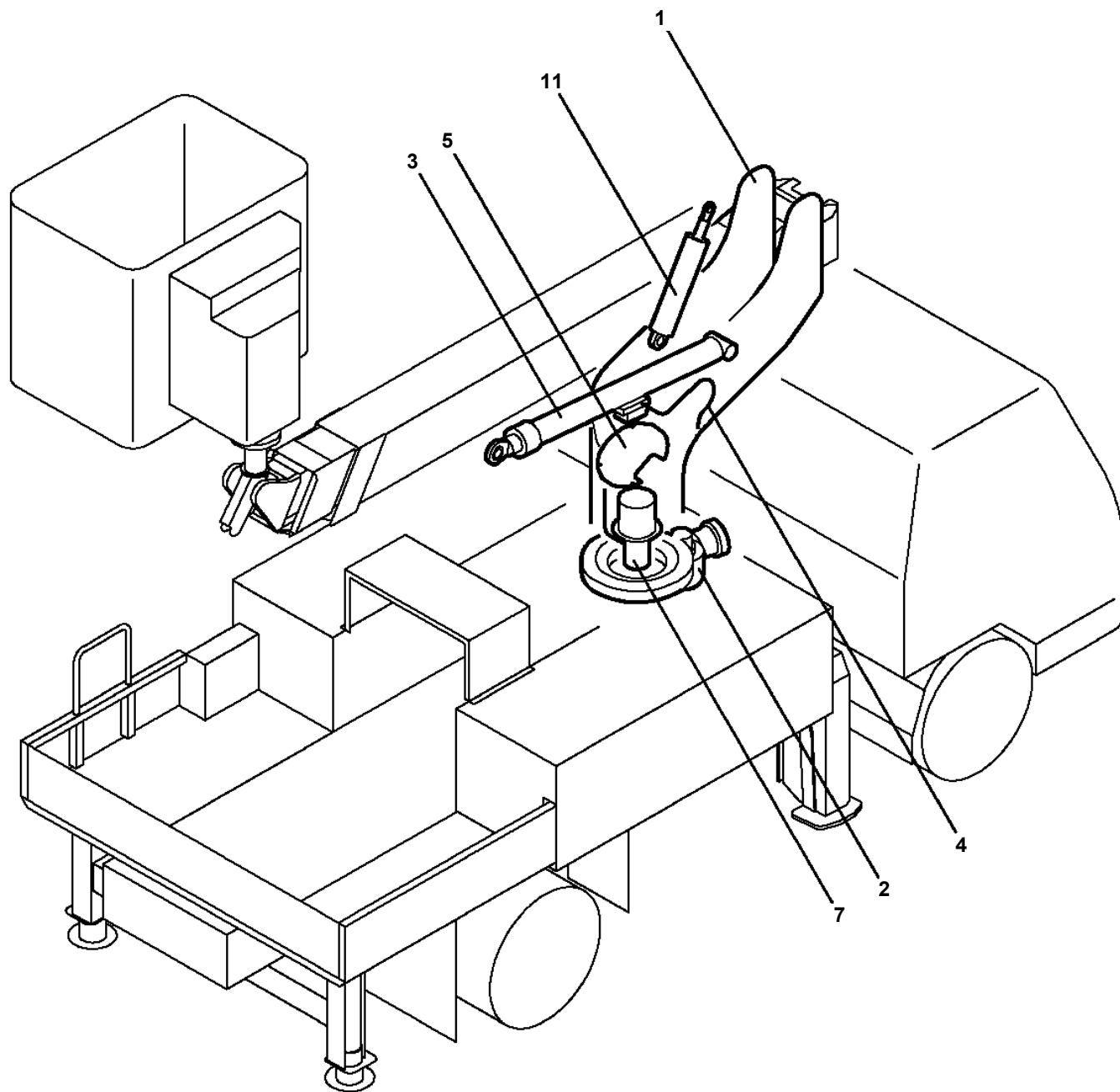
AT-110-5 42084541797 UPPER,LOWER,ISUZU TPG-NKR85AN-EE5AHY-JM
PC5570075-01 COVER ASSY (BEARING)



AT-110-5 42084541797 UPPER,LOWER,ISUZU TPG-NKR85AN-EE5AHY-JM
PC5570266-00 COVER ASSY



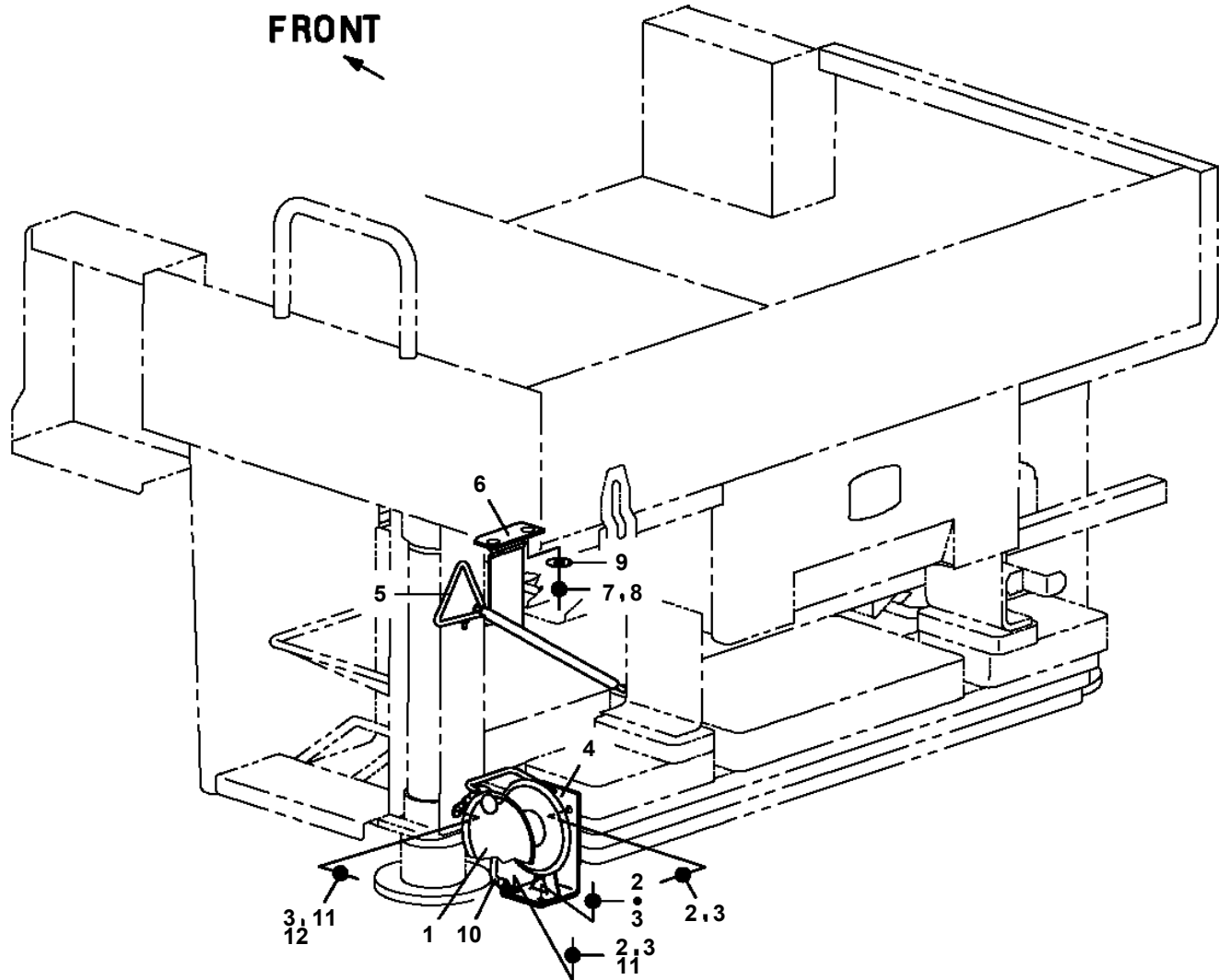
**AT-110-5 42084541797 UPPER,LOWER,ISUZU TPG-NKR85AN-EE5AHY-JM
PD2000267-00 SWING UNIT**



適用製造番号によっては取り付けがないものもあります。

MACHINES OF SOME SERIAL NO. ARE NOT EQUIPPED WITH THESE PARTS.

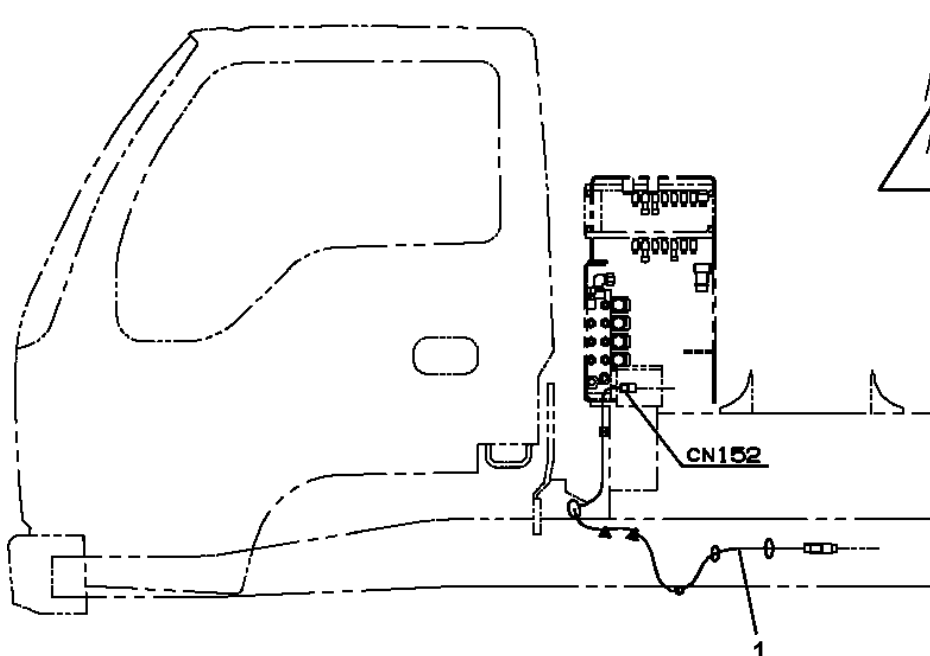
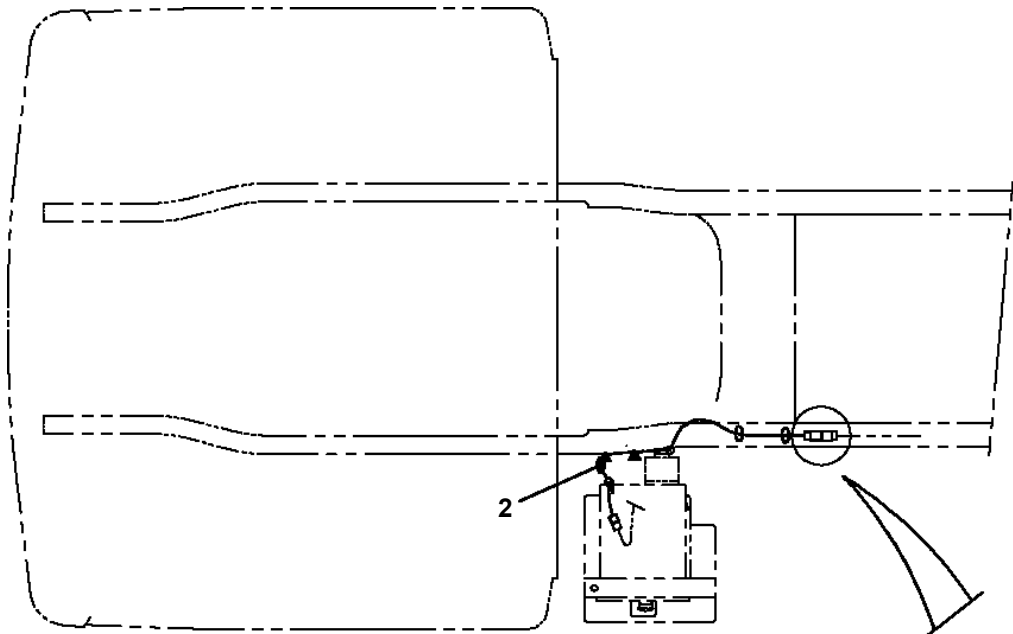
AT-110-5 42084541797 UPPER,LOWER,ISUZU TPG-NKR85AN-EE5AHY-JM
PE5010008-00 EARTH ASSY



AT-110-5 42084541797 UPPER,LOWER,ISUZU TPG-NKR85AN-EE5AHY-JM

Pos No.	Parts No	Parts Name	Qty	Unit	Technical Data	Serial No (Start)	Serial No (End)	Remark
1	42422455100	HARNESS	1					
2	42422263011	HARNESS	1					
3	82100002012	CLAMP	5		WR18			
4	90302040801	WASHER,SPRING	11		8			
5	82100002010	CLAMP	2		WR15			
6	90103212020	BOLT	1		M12X20			
7	90302041201	WASHER,SPRING	1		12			
8	42422263020	CABLE ASSY	1		L=350			
9	90101208014	BOLT	7		M8X14			
10	42714371400	MOTOR ASSY (ASSY ONLY)	1					
11	91810130250	FASTENER	10					
12	42422455200	SUPPORT	1					
13	90302040601	WASHER,SPRING	19		6			
14	42352970300	HARNESS	1					
15	37001709810	CABLE,CONTROL	1					
16	82161300010	RELAY	1					
17	90101206012	BOLT	11		M6X12			
18	90303070801	WASHER,PLAIN	4		8			
19	37000116610	PIN	1					
20	90101208032	BOLT	2		M8X32			
21	90303070601	WASHER,PLAIN	10		6			
22	80136320012	PIN,SPLIT	2		2X12			
23	37000105720	PIN	1					
24	36361361410	TIMER	1					
25	90303071201	WASHER,PLAIN	1		12			
26	82174103527	FUSE	1		65A			
27	42422453200	SUPPORT	1					
28	90103208020	BOLT	2		M8X20			
29	82100002013	CLAMP	1		WRC18			
30	90101206020	BOLT	4		M6X20			
31	82100001825	RELAY	1					
32	82100001214	CAP	1					
33	82100001215	CAP	2					
34	82100002006	CLAMP	5		WR10			
35	82100001216	CAP	1					
36	90201200600	NUT	4		M6			
101	36361361010	SWITCH,PRESSURE (OIL)	1					
102	36361361020	SWITCH,THERMO	1					
103	36361361030	SOLENOID ASSY	1					
120	36361361200	PUMP ASSY,FUEL	1					
125	36361361250	TIMER	1					
131	36361365030	REPAIR KIT	1					

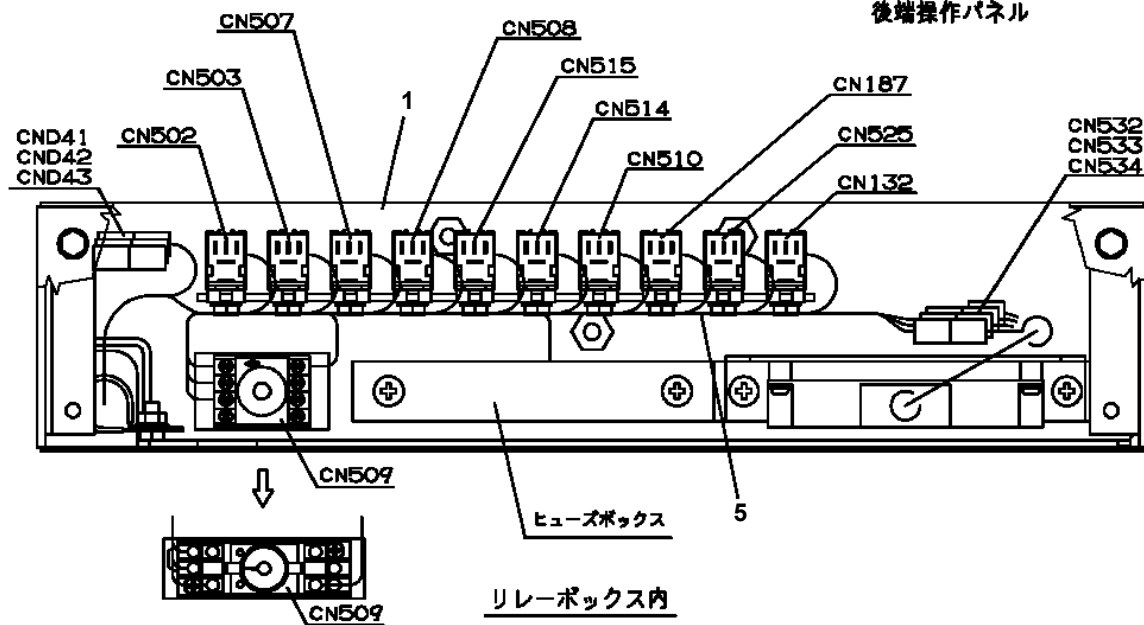
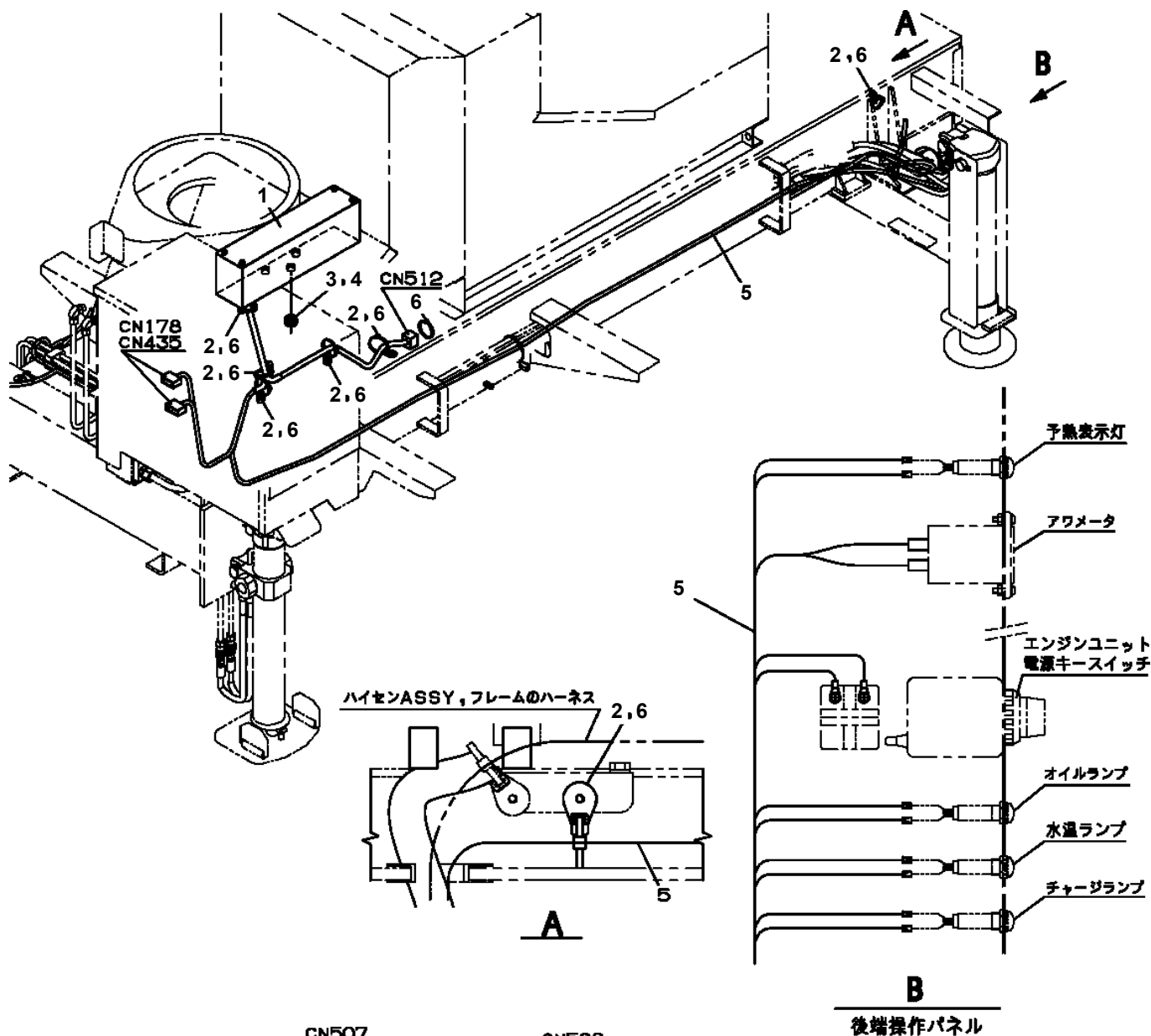
AT-110-5 42084541797 UPPER,LOWER,ISUZU TPG-NKR85AN-EE5AHY-JM
 PE5020867-00 ELEC.ASSY (CARRIER/ISUZU)



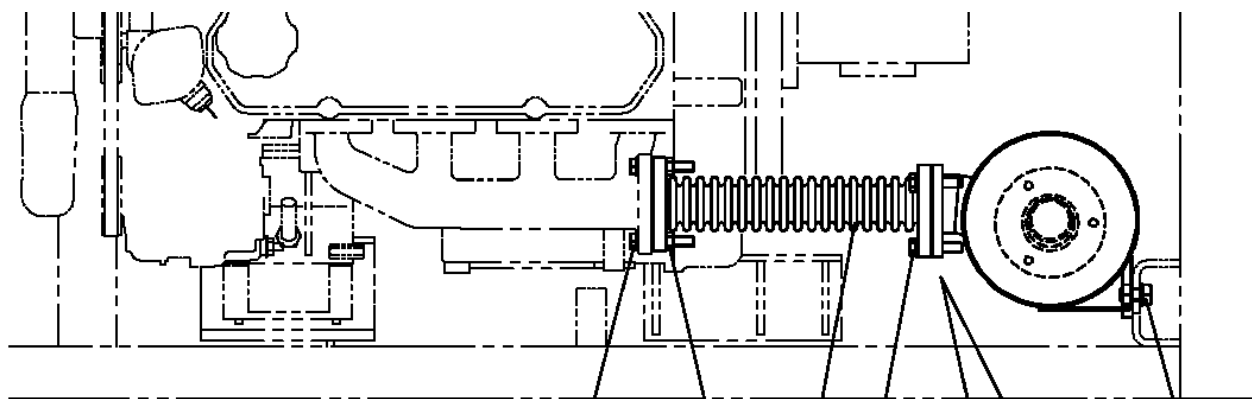
CN52
(7-233994)

F	M	
1	1	E/084 (1-2脚用)
2	2	E/084 (1-2脚用)
3	3	DPD
4	4	KEYON
5	5	E/084 (1-2脚用)
6	6	フットブレーキ
7	7	E/084 (24V用)
8	8	PTON
9	9	ニュートラル
10	10	パーキング
11	11	ニュートラルロック
12	12	ニュートラルスイッチ
13	13	パーキンスイッチ
14	14	スターランプ
15	15	エンジン
16	16	エンジン

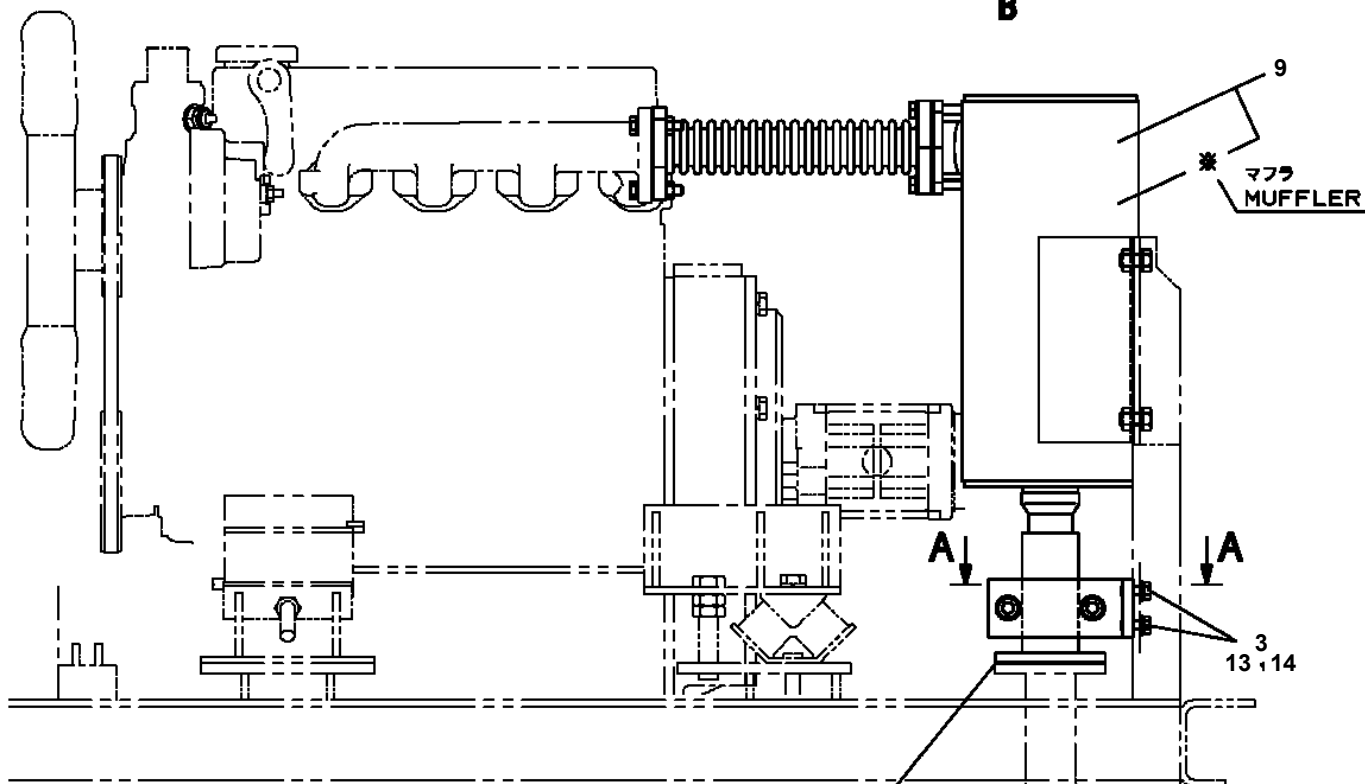
AT-110-5 42084541797 UPPER,LOWER,ISUZU TPG-NKR85AN-EE5AHY-JM
PE5021126-02 ELEC.ASSY



**AT-110-5 42084541797 UPPER,LOWER,ISUZU TPG-NKR85AN-EE5AHY-JM
PE5230047-00 EXHAUST ASSY**



2,3 4 5 1,3 B 6,7

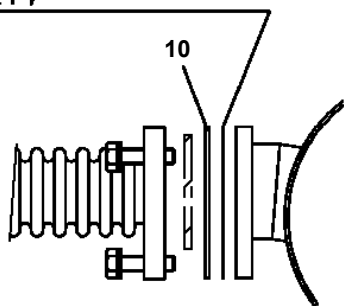


9
* マフラー
MUFFLER

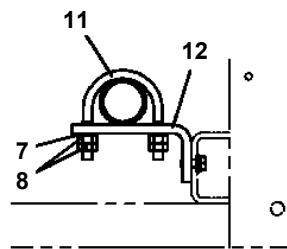
3
13,14

* ガasket / エキゾーストガasket
GASKET /

* ガasket / エキゾーストガasket
GASKET /



B

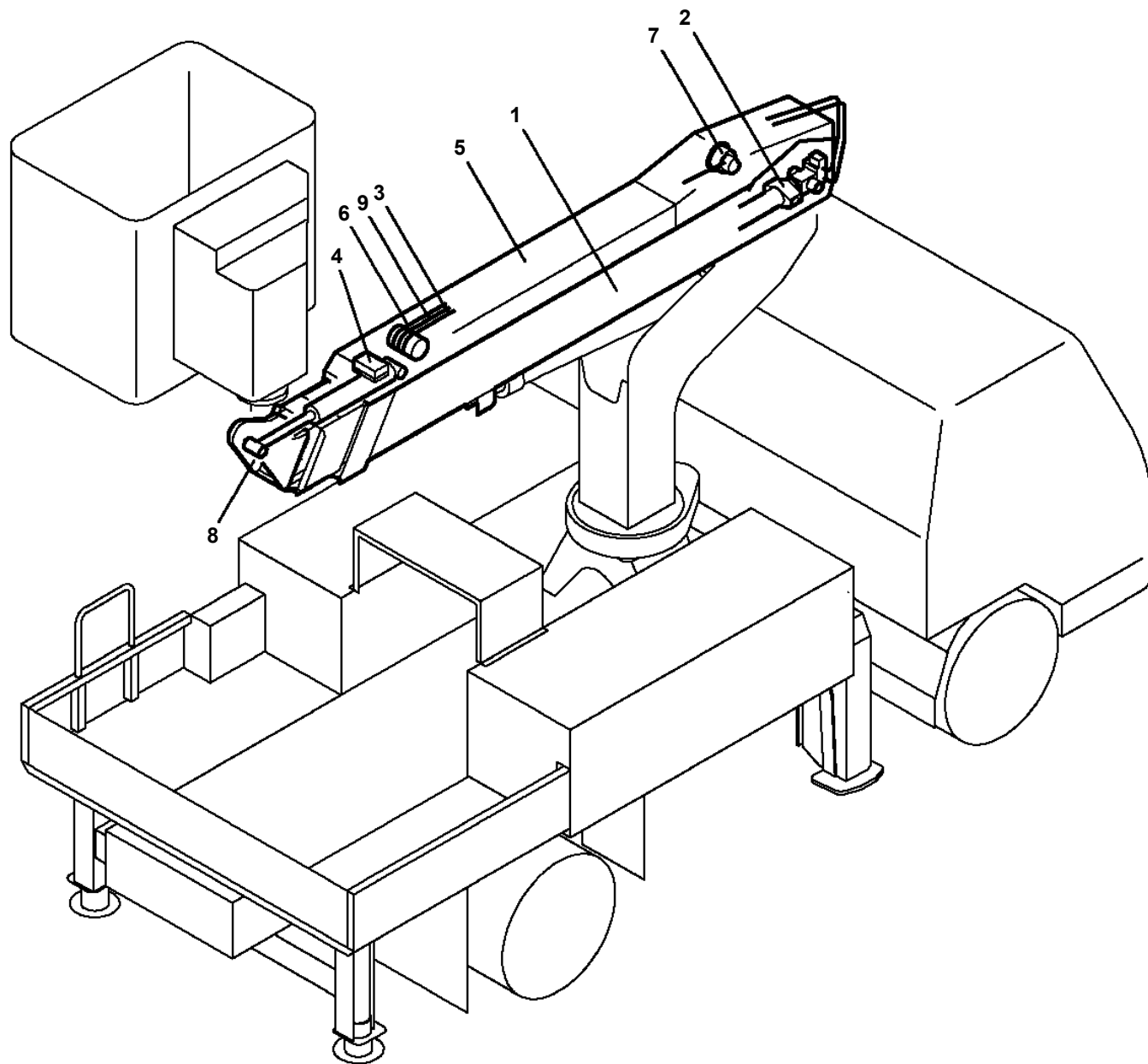


A-A

※材はフレームユニットのマウントASSY, エンジンユニットの
マウントASSY, パワートレインのエンジンASSY [付属品] より検索してください。

FOR THE PART ※, SEE THE CORRESPONDING ENGINE ASSY ACCESSORIES PARTS
FOR MOUNT ASSY, POWER TRAIN FOR MOUNT ASSY, ENGINE UNIT FOR FRAME UNIT.

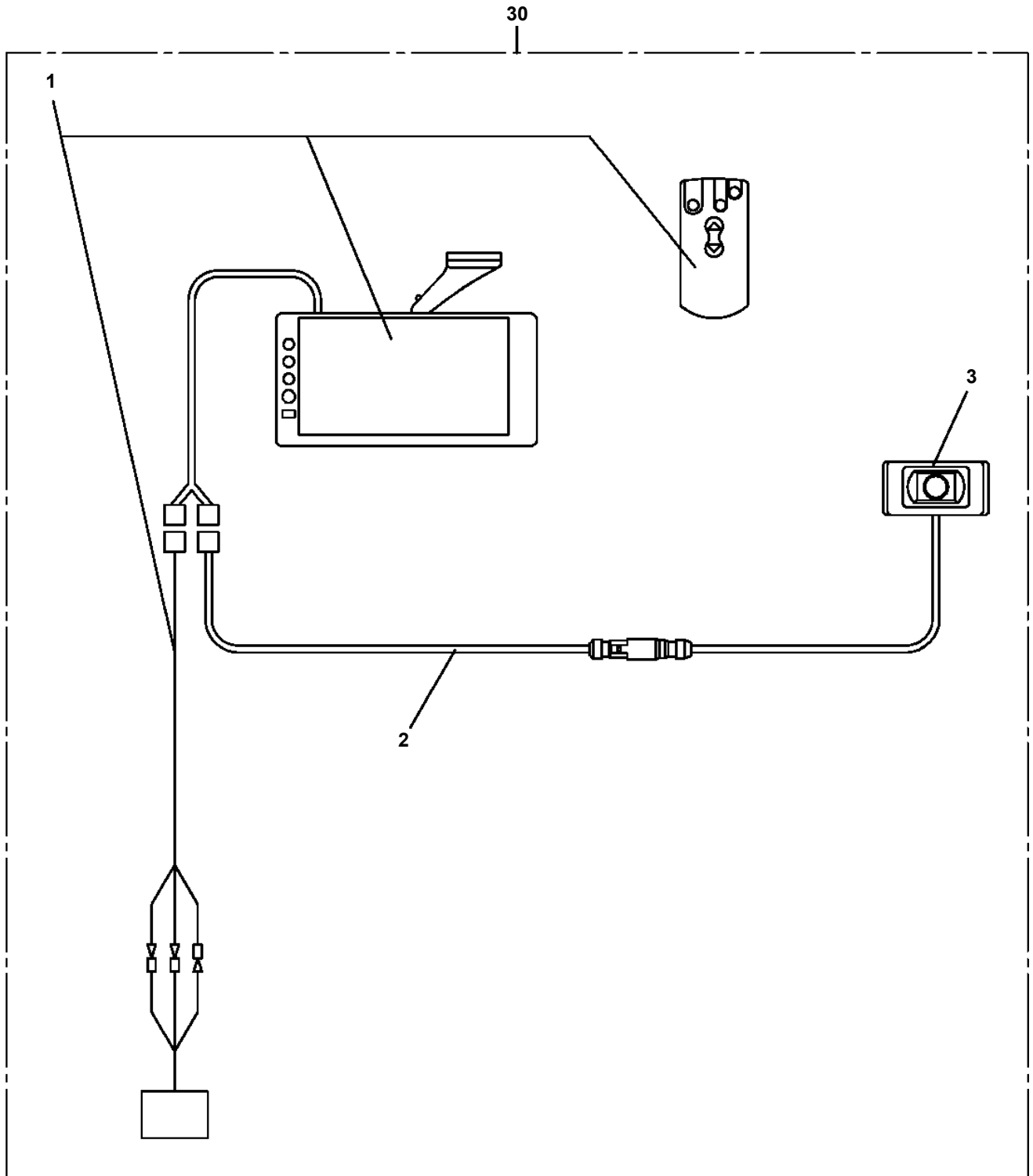
**AT-110-5 42084541797 UPPER,LOWER,ISUZU TPG-NKR85AN-EE5AHY-JM
PG2000355-00 BOOM UNIT**



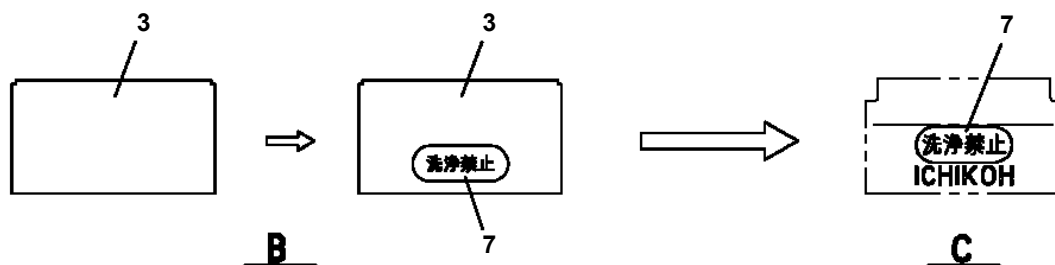
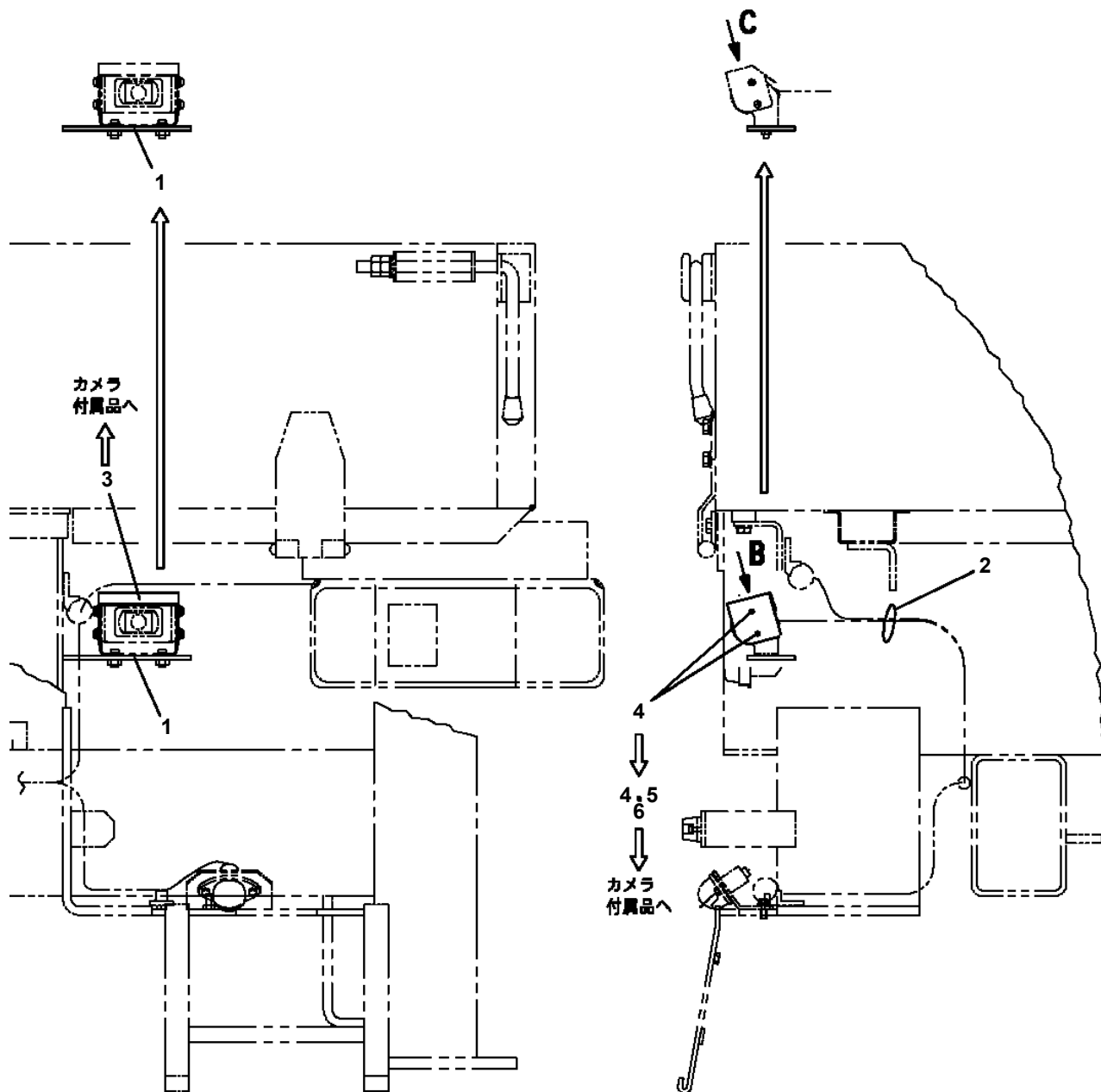
適用製造番号によっては取り付けがないものもあります。

MACHINES OF SOME SERIAL NO. ARE NOT EQUIPPED WITH THESE PARTS.

AT-110-5 42084541797 UPPER,LOWER,ISUZU TPG-NKR85AN-EE5AHY-JM
PH1700272-01 VIEW SYSTEM

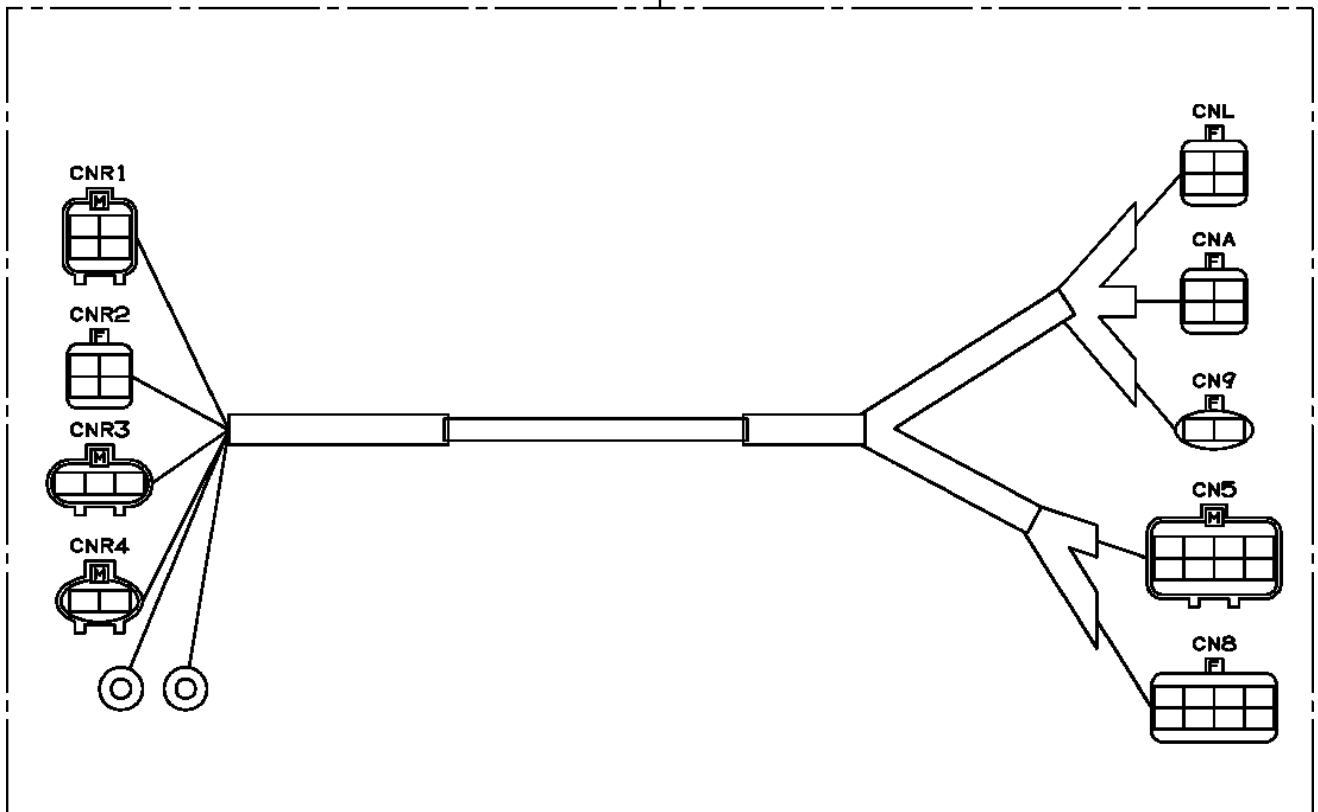


AT-110-5 42084541797 UPPER,LOWER,ISUZU TPG-NKR85AN-EE5AHY-JM
 PH1700305-03 VIEW SYSTEM (CAMERA)

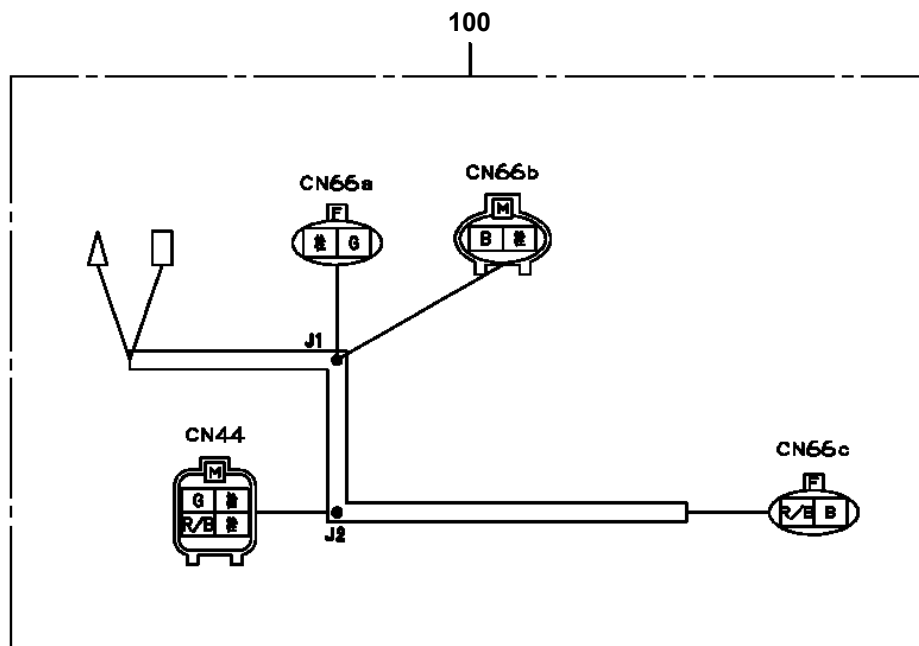


AT-110-5 42084541797 UPPER,LOWER,ISUZU TPG-NKR85AN-EE5AHY-JM
PH5030430-00 HARNESS

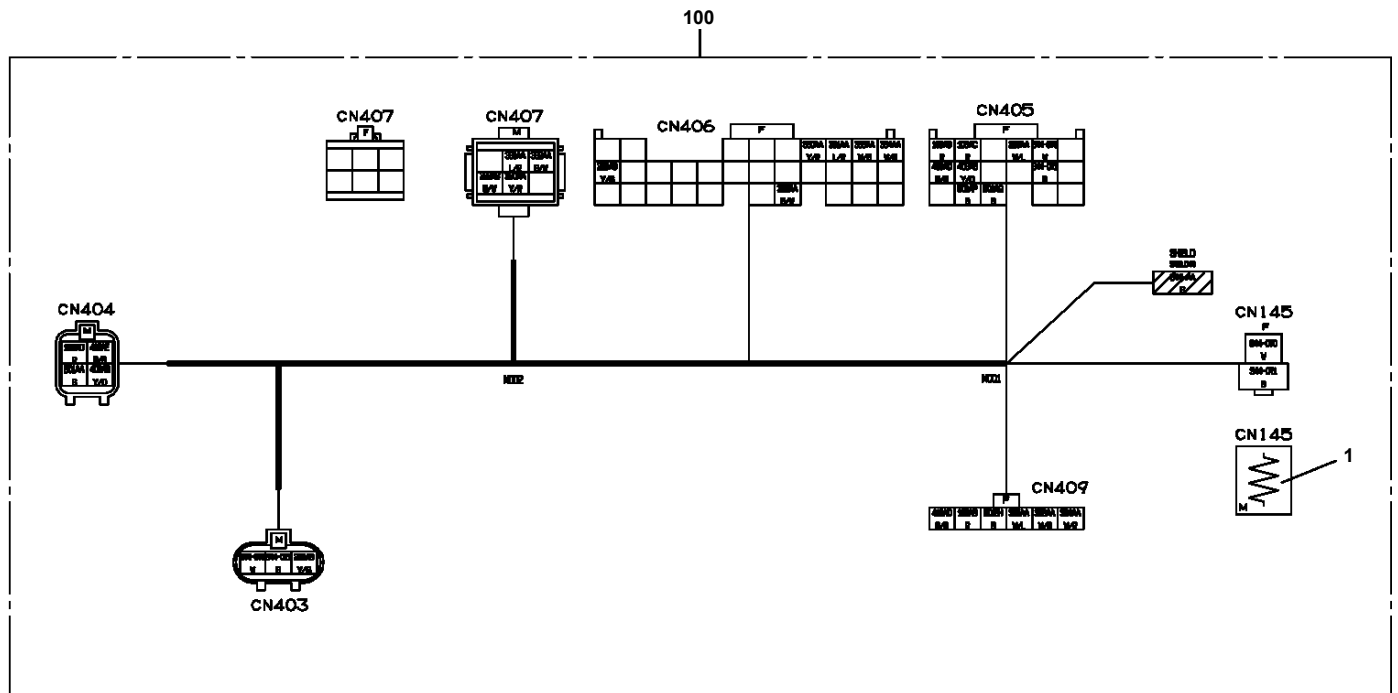
100



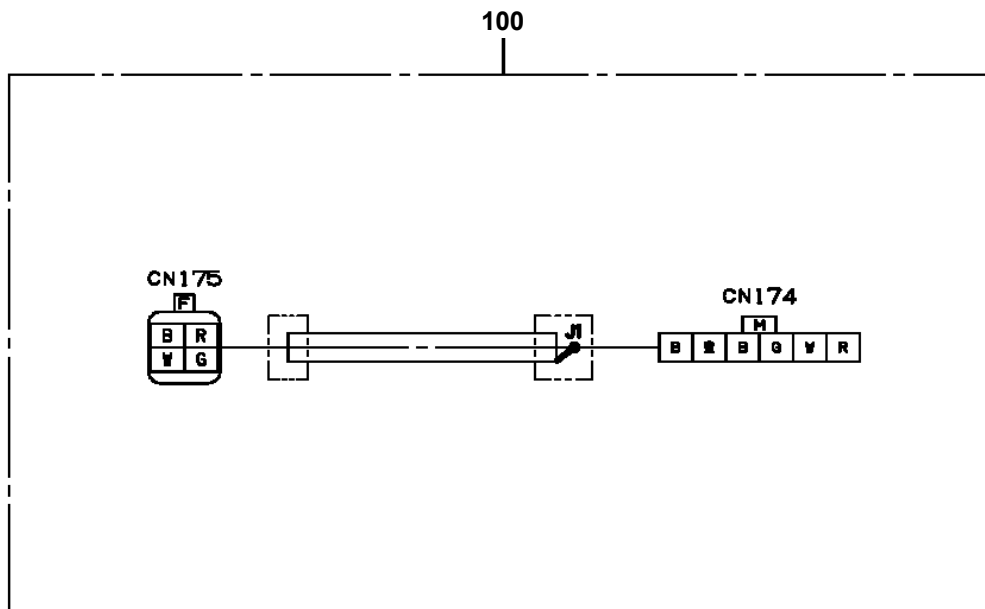
AT-110-5 42084541797 UPPER,LOWER,ISUZU TPG-NKR85AN-EE5AHY-JM
PH5031016-00 HARNESS



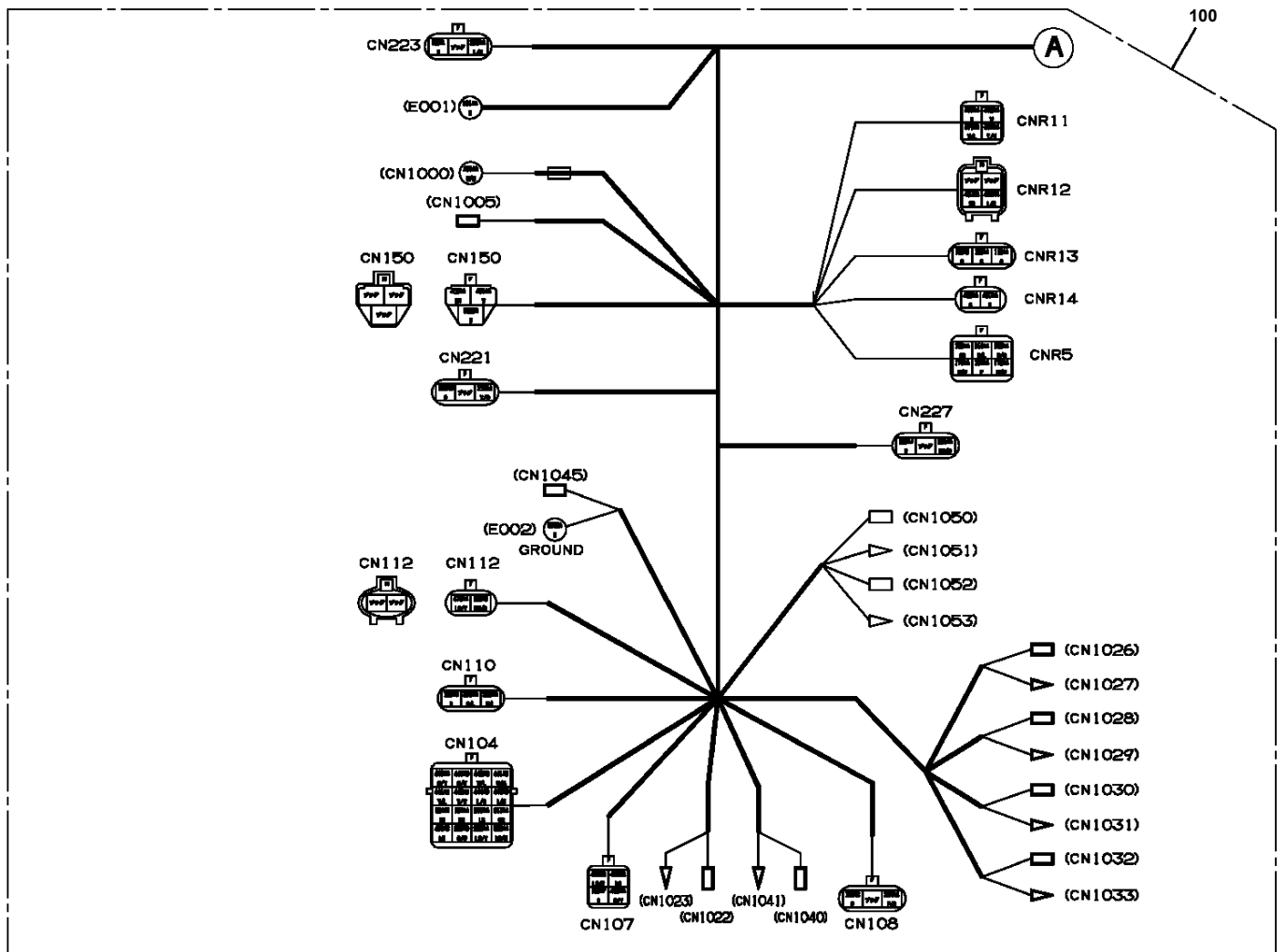
AT-110-5 42084541797 UPPER,LOWER,ISUZU TPG-NKR85AN-EE5AHY-JM
 PH5031985-02 HARNESS



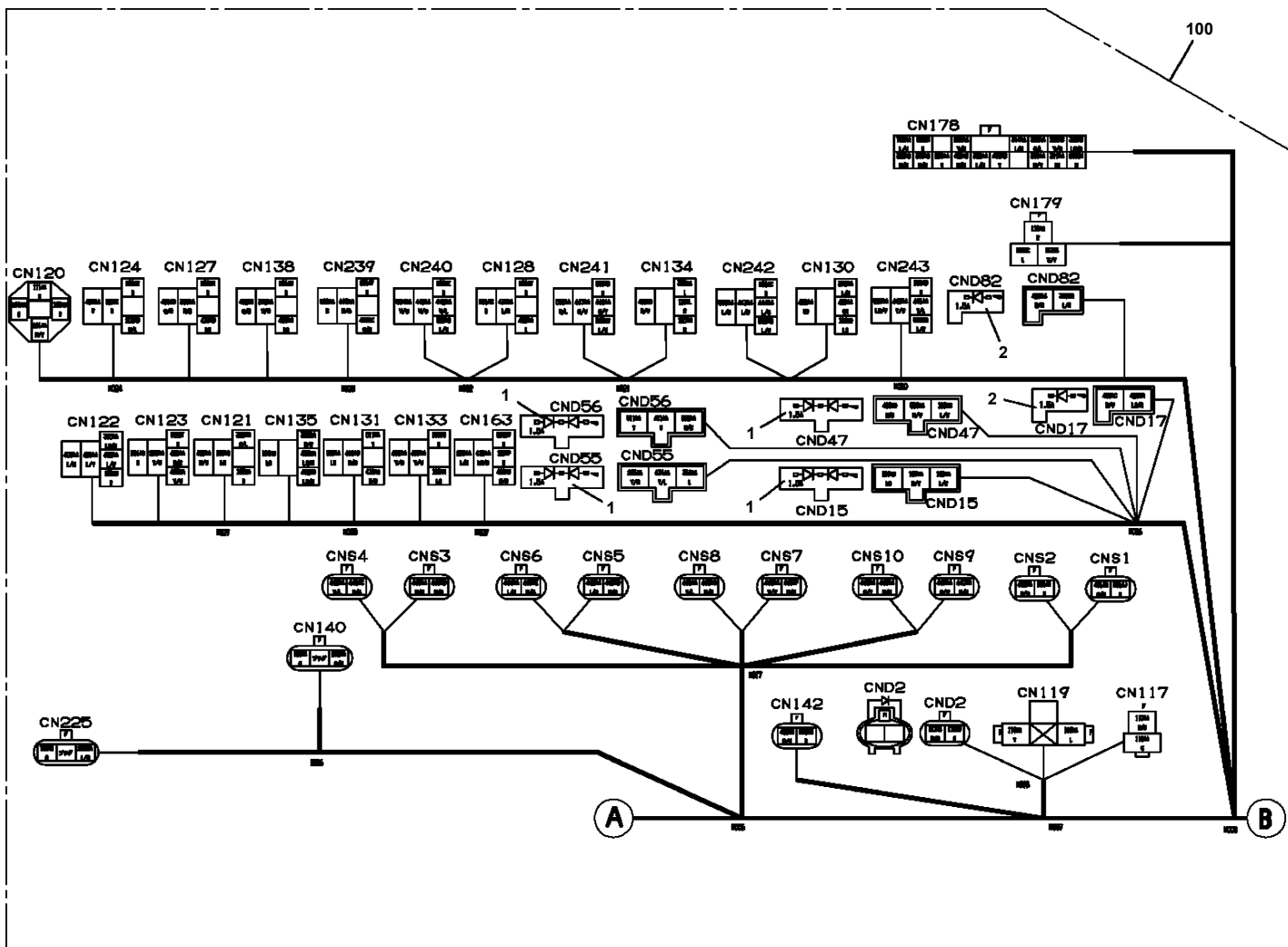
AT-110-5 42084541797 UPPER,LOWER,ISUZU TPG-NKR85AN-EE5AHY-JM
PH5033322-00 HARNESS



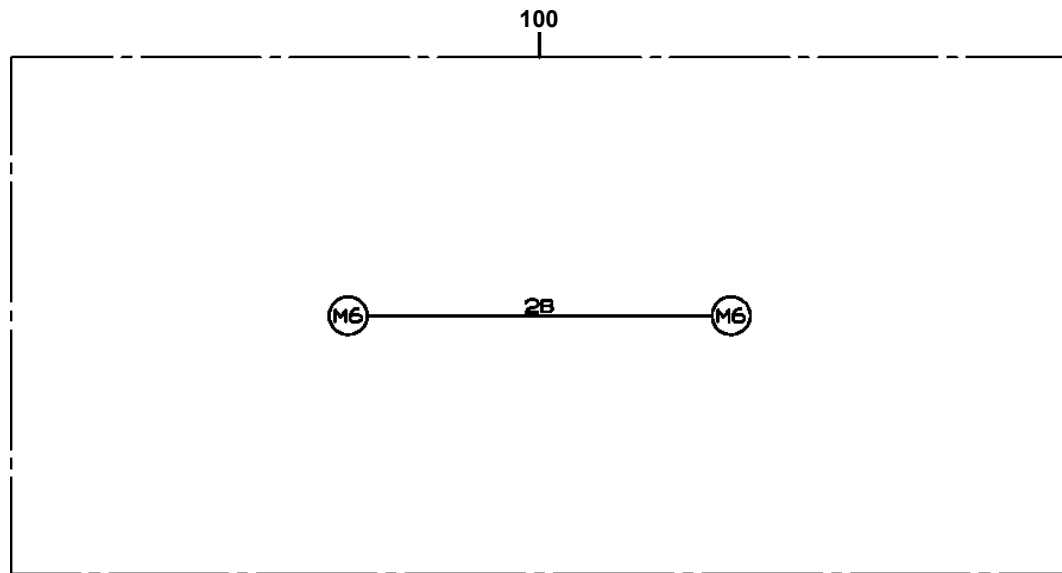
**AT-110-5 42084541797 UPPER,LOWER,ISUZU TPG-NKR85AN-EE5AHY-JM
PH5033614-00 HARNESS (FRAME)**



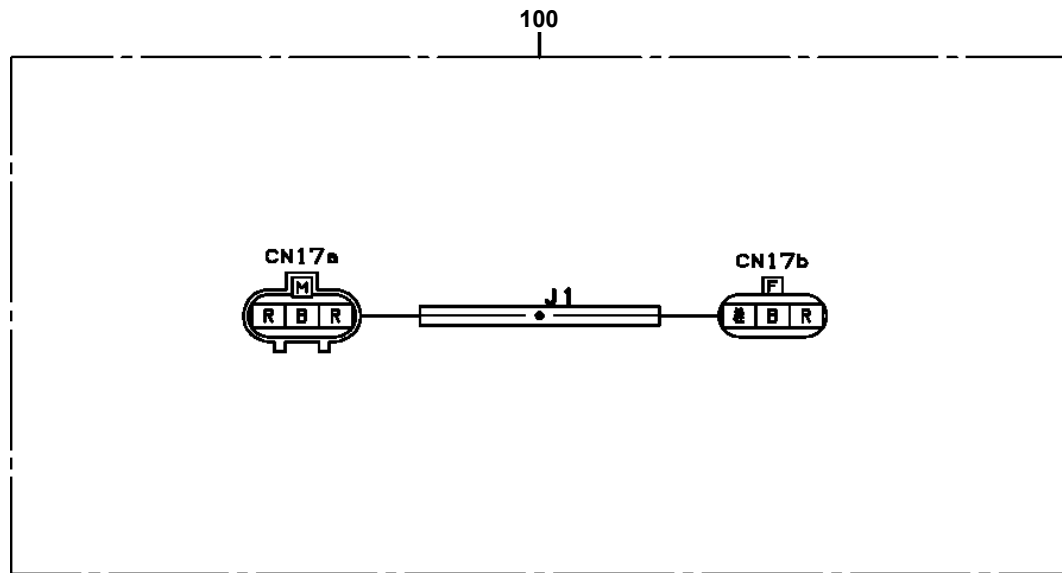
AT-110-5 42084541797 UPPER,LOWER,ISUZU TPG-NKR85AN-EE5AHY-JM PH5033726-00 HARNESS (FRAME)



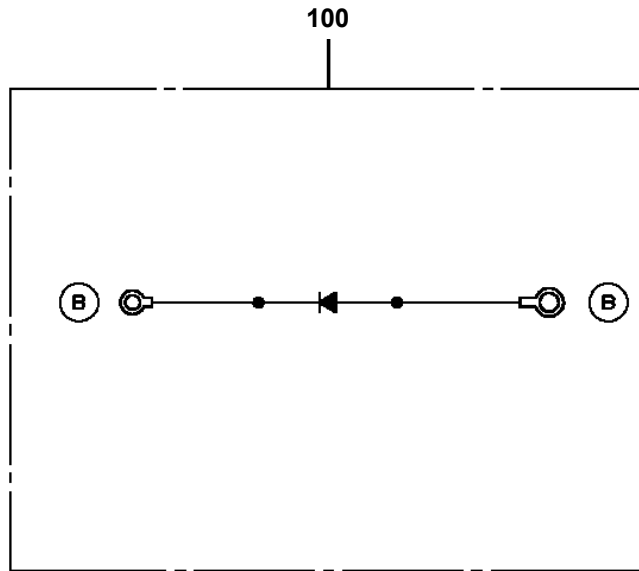
AT-110-5 42084541797 UPPER,LOWER,ISUZU TPG-NKR85AN-EE5AHY-JM
PH5034167-00 HARNESS



AT-110-5 42084541797 UPPER,LOWER,ISUZU TPG-NKR85AN-EE5AHY-JM
PH5034177-00 HARNESS

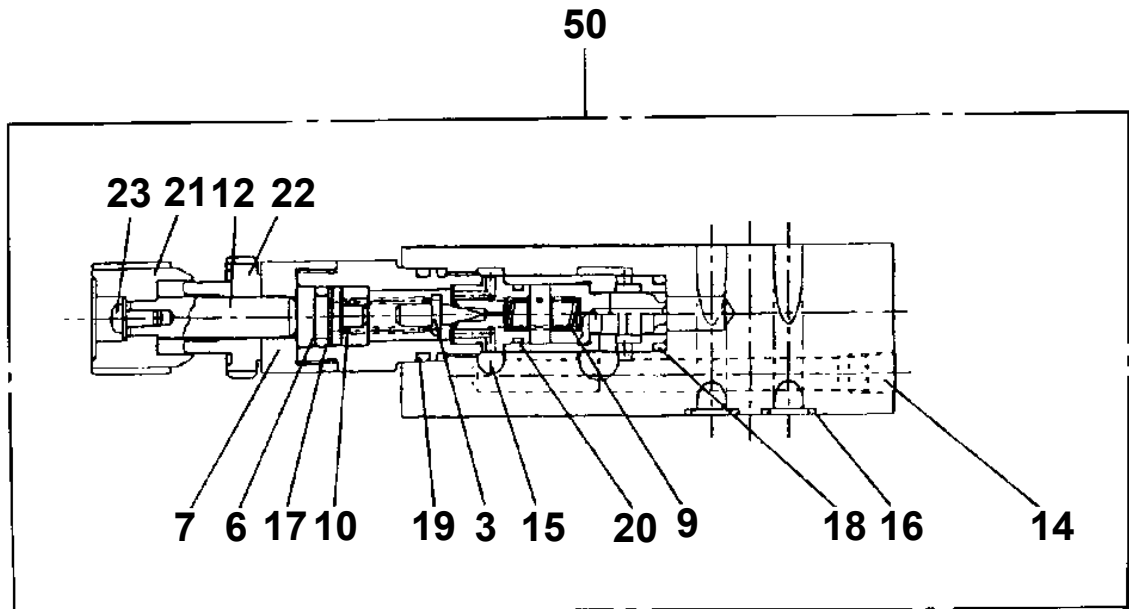


AT-110-5 42084541797 UPPER,LOWER,ISUZU TPG-NKR85AN-EE5AHY-JM
PH5034227-00 HARNESS



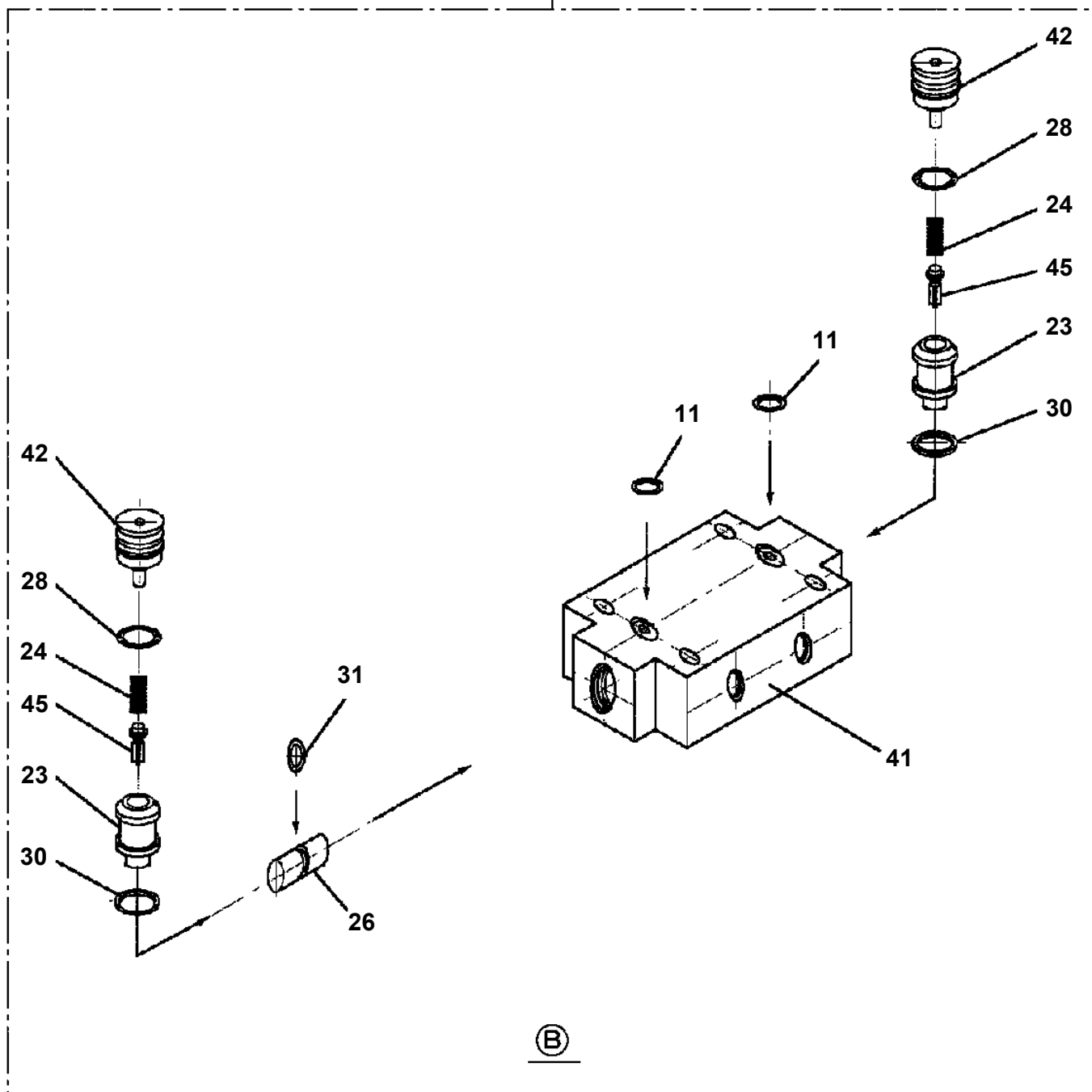
AT-110-5 42084541797 UPPER,LOWER,ISUZU TPG-NKR85AN-EE5AHY-JM
PI1100078-00 VALVE,RELIEF

Assembly Name VALVE, RELIEF



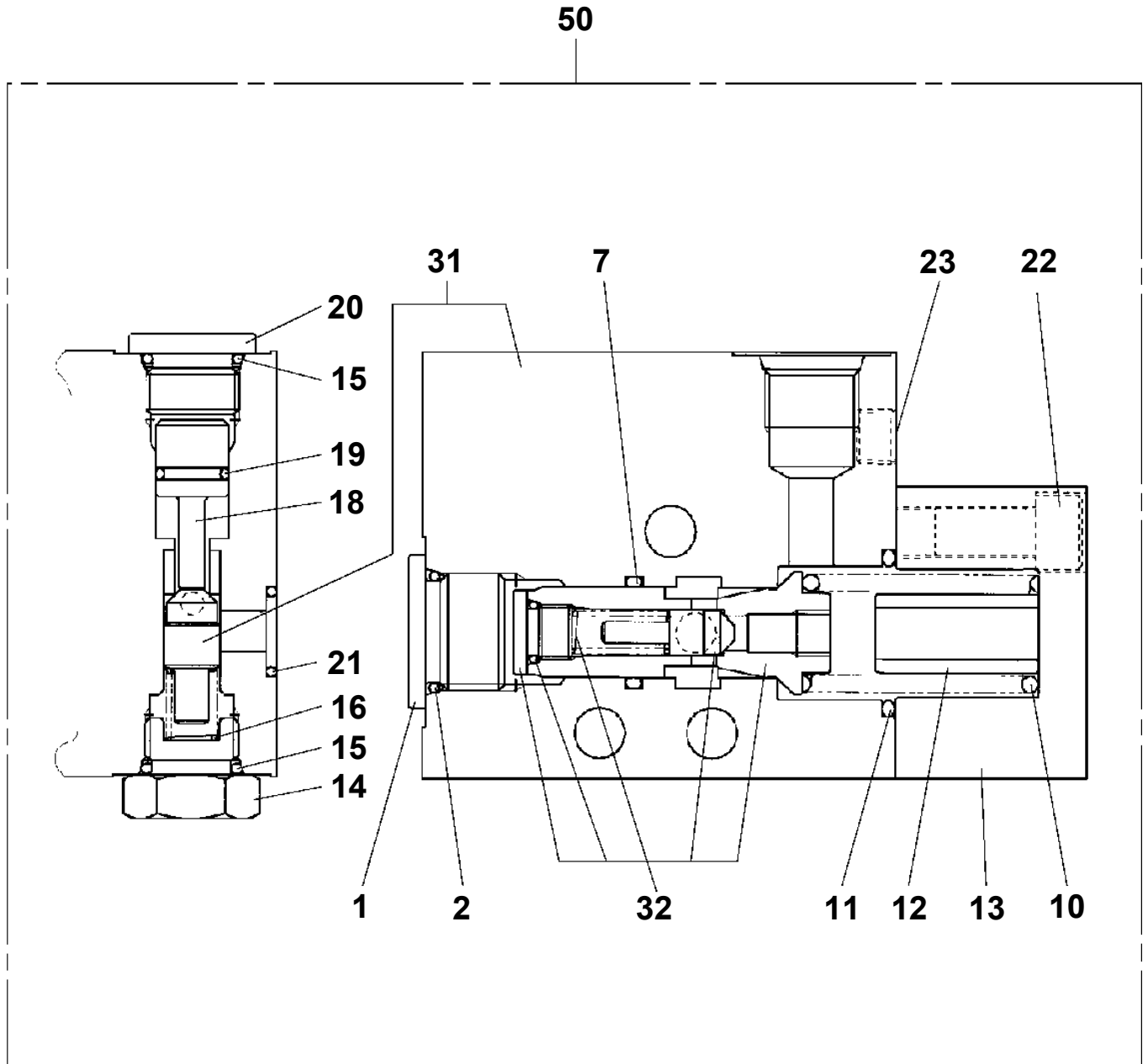
AT-110-5 42084541797 UPPER,LOWER,ISUZU TPG-NKR85AN-EE5AHY-JM
PI1140133-01 VALVE,CHECK

100

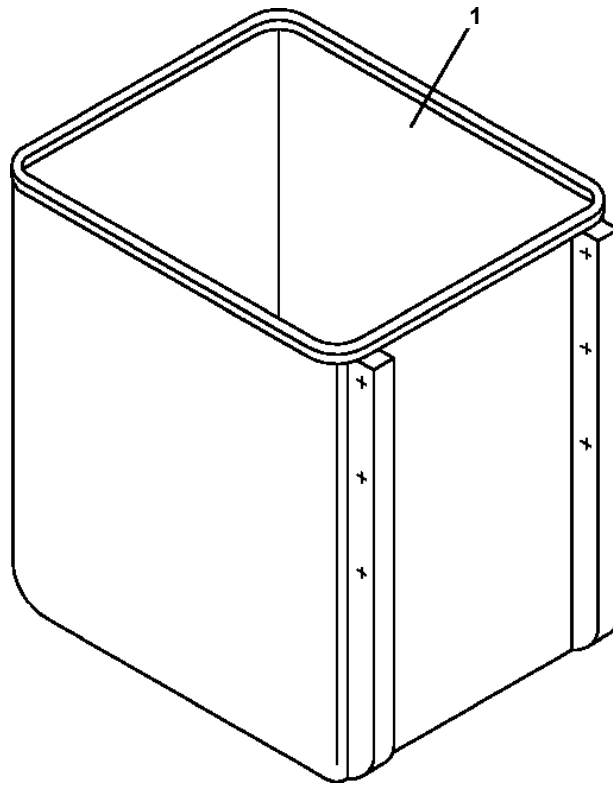


Ⓑ

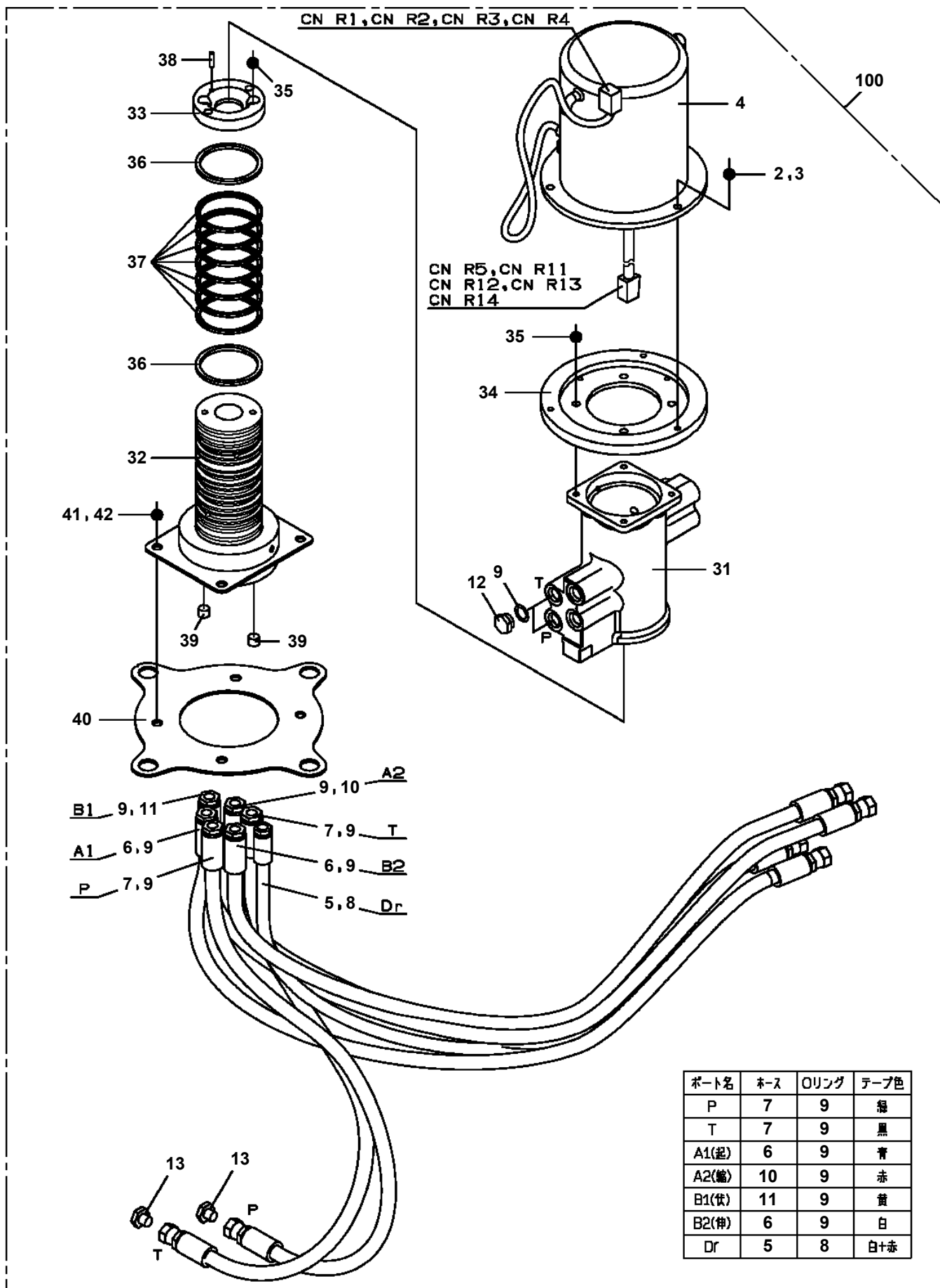
AT-110-5 42084541797 UPPER,LOWER,ISUZU TPG-NKR85AN-EE5AHY-JM
PI1250137-00 VALVE,COUNTERBALANCE



AT-110-5 42084541797 UPPER,LOWER,ISUZU TPG-NKR85AN-EE5AHY-JM
PJ3010217-00 BUCKET (SI,WHITE/WITH INNER)



AT-110-5 42084541797 UPPER,LOWER,ISUZU TPG-NKR85AN-EE5AHY-JM
PJ5090065-00 JOINT ASSY,SWIVEL



CLICK HERE TO **DOWNLOAD** THE COMPLETE MANUAL

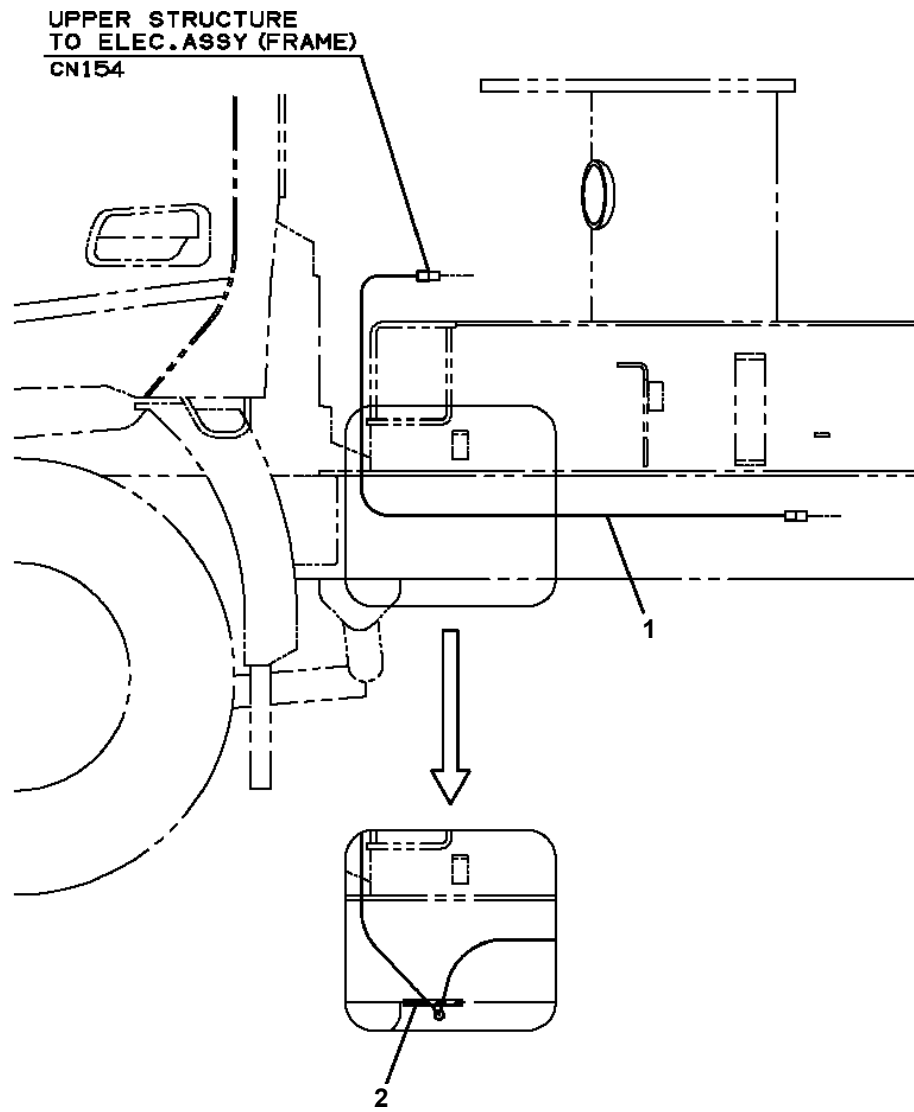
- Thank you very much for reading the preview of the manual.
- You can download the complete manual from: www.heydownloads.com by clicking the link below



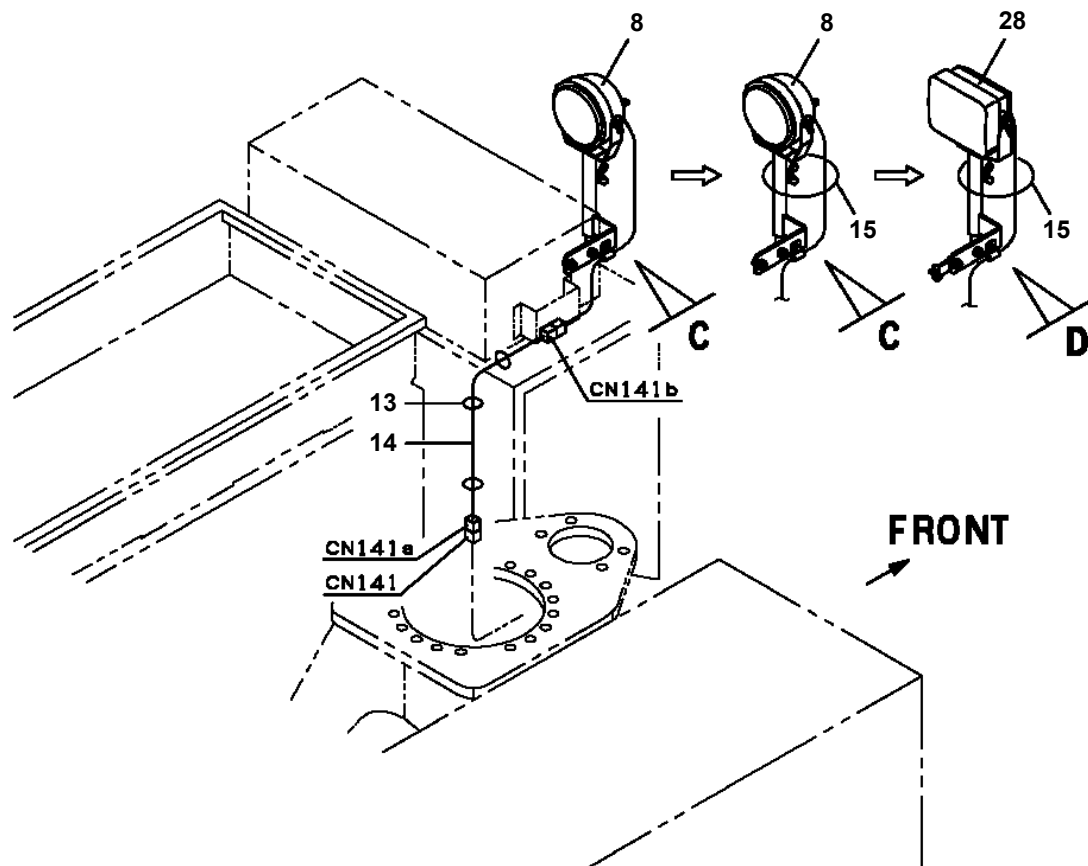
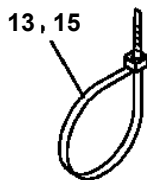
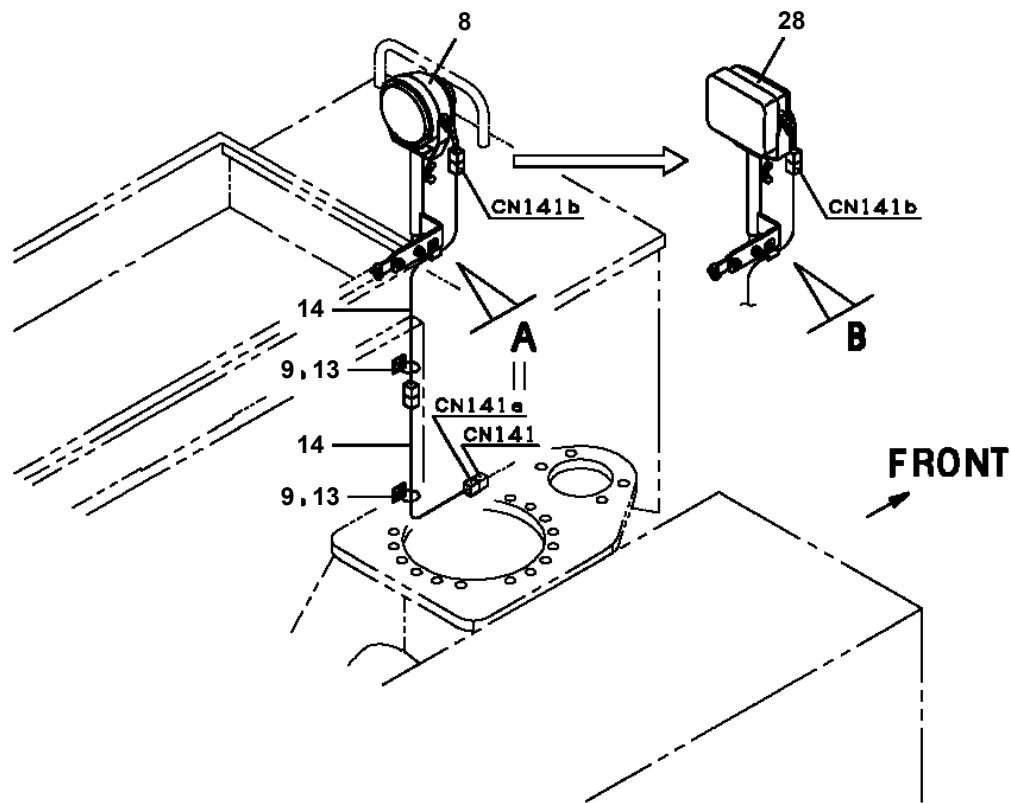
- Please note: If there is no response to CLICKING the link, please download this PDF first and then click on it.

CLICK HERE TO **DOWNLOAD** THE COMPLETE MANUAL

AT-110-5 42084541797 UPPER,LOWER,ISUZU TPG-NKR85AN-EE5AHY-JM
PL1031086-01 OPE.ASSY,ACCELERATOR



AT-110-5 42084541797 UPPER,LOWER,ISUZU TPG-NKR85AN-EE5AHY-JM
 PL5140021-02 LAMP ASSY,WORKING (LOWER/LED)



パワーサプライASSY,エレキ(1.5kWインバータ)と同時選択した場合

AT-110-5 42084541797 UPPER,LOWER,ISUZU TPG-NKR85AN-EE5AHY-JM

Pos No.	Parts No	Parts Name	Qty	Unit	Technical Data	Serial No (Start)	Serial No (End)	Remarks
1	36663955100	SHAFT	1					
2	80500006206	BEARING,BALL	1					
4	91001206500	O-RING	1		1A G65			
5	36660025021	COVER (OIL SEAL)	1					
6	36660025140	SEAL,OIL	1					
7	36663485110	RING,RETAINING	1		R72			
8	36663955020	PLATE,THRUST	1					
9	36663955030	BARREL ASSY (CYLINDER)	1					
10	36663955040	PLATE (VALVE)	1					
11	36661925030	COVER (BOTTOM)	1					
12	80500006203	BEARING,BALL	1					
13	36662355110	PIN	2					
14	36663955050	O-RING	1					
15	36663955060	BOLT	6		M10X35			
16	14125151020	KEY	1					
17	36660125060	PLUG	2		PF3/8			
18	36081315130	PROTECTOR (THREAD)	2					
44	36660025100	SPRING (PLUNGER)	5					
45	14125151300	RING,RETAINING	1					
46	12645103171	SPRING (CENTER)	1					
100	36664070000	MOTOR,OIL	1					

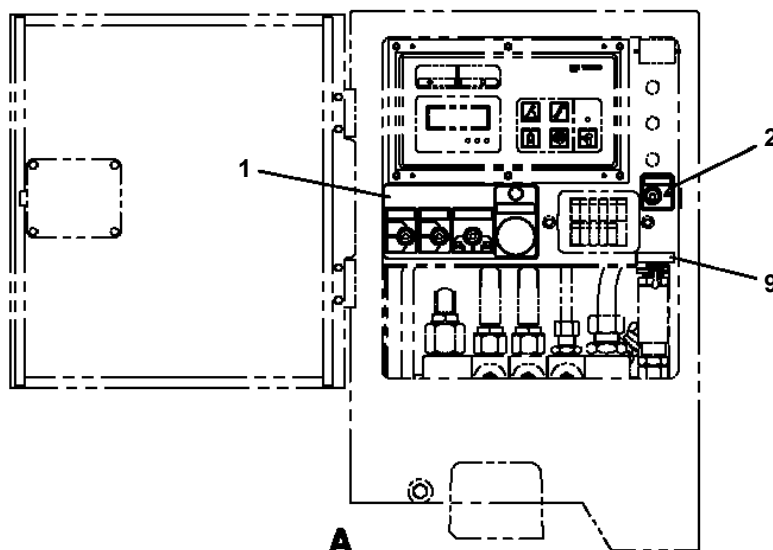
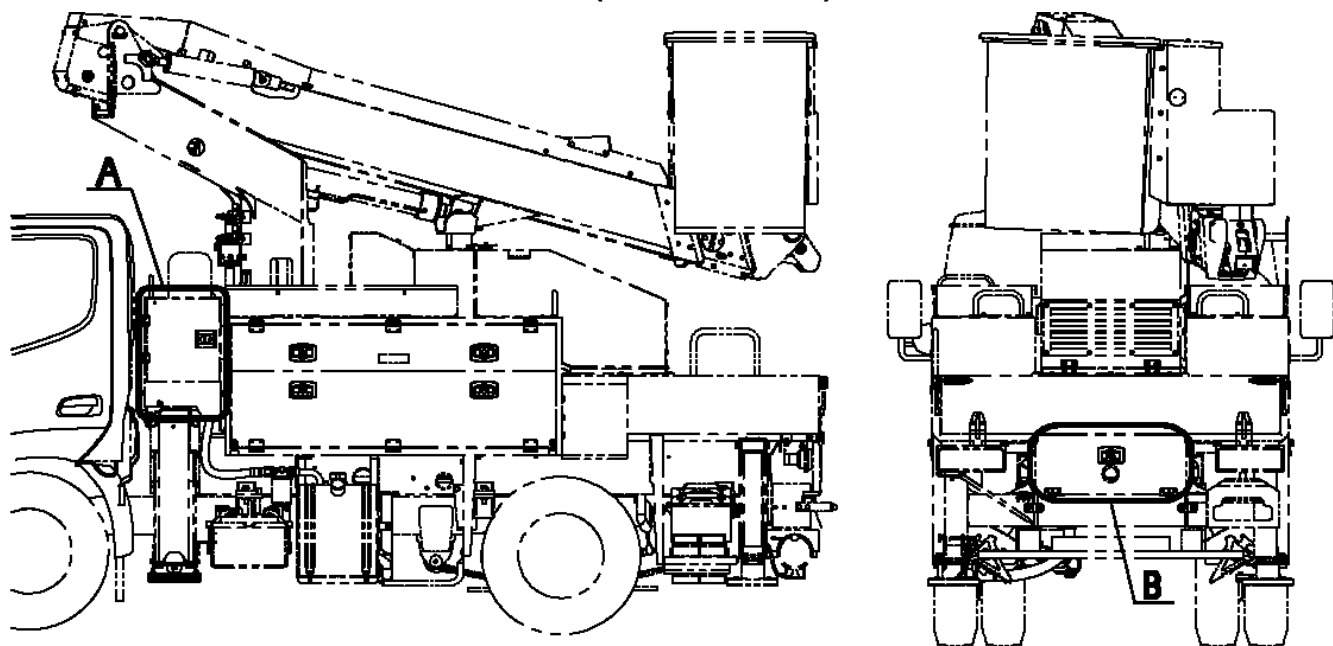
AT-110-5 42084541797 UPPER,LOWER,ISUZU TPG-NKR85AN-EE5AHY-JM

Pos No.	Parts No	Parts Name	Qty	Unit	Technical Data	Serial No (Start)	Serial No (End)	Remarks	Page
5	36160017550	HANDLE	1						
6	36160655020	SHAFT	1						
7	36160017560	WASHER,PLAIN	1						
9	36160025010	CORD ASSY (MAIN)	1						
10	36160025020	CLIP	1						
11	36160025030	COVER (CLIP)	1						
13	36160017590	PLATE (CONTACT)	1						
50	36160020000	REEL,CORD	1						

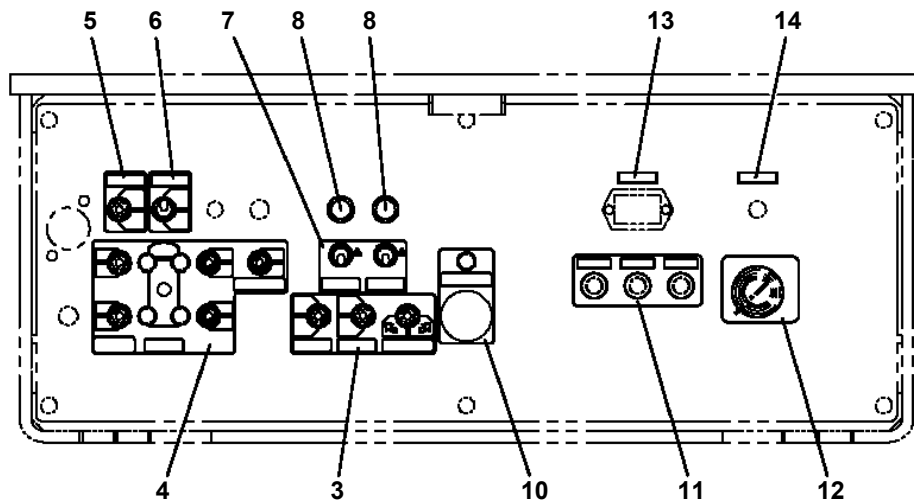
AT-110-5 42084541797 UPPER,LOWER,ISUZU TPG-NKR85AN-EE5AHY-JM

Pos No.	Parts No	Parts Name	Qty	Unit	Technical Data	Serial No (Start)	Serial No (End)	Rema
1	42510202010	PLATE,NAME	1					
2	42510202020	PLATE,NAME (ATTACHMENT)	1					
3	42392583060	PLATE,NAME	1					
4	42477732020	PLATE,NAME	1					
5	42392583070	PLATE,NAME	1					
6	42392583090	PLATE,CAUTION	1					

AT-110-5 42084541797 UPPER,LOWER,ISUZU TPG-NKR85AN-EE5AHY-JM
 PN5011331-00 NAME PLATE ASSY (OPERATION)

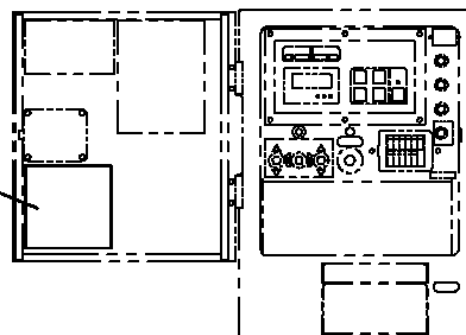
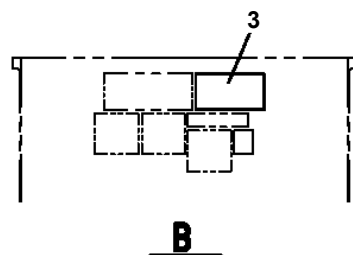
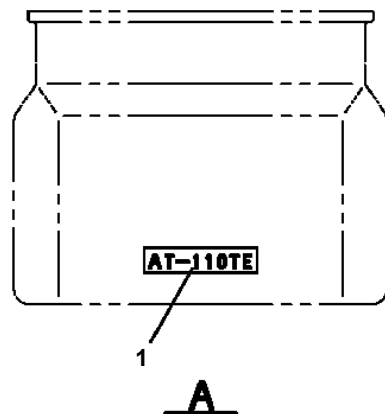
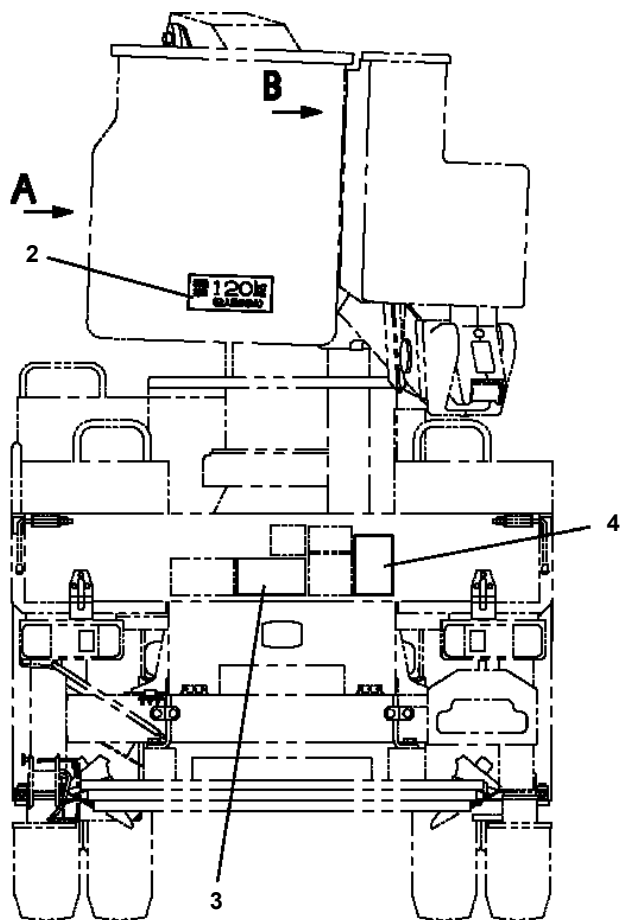


A
 扉を開いた状態

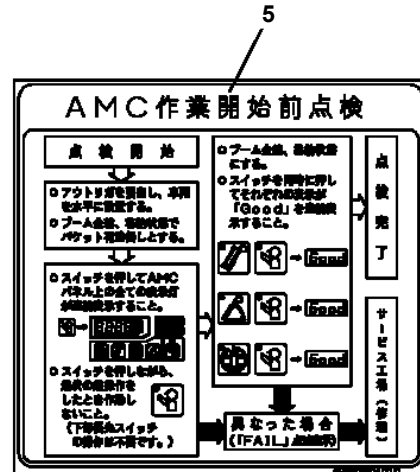
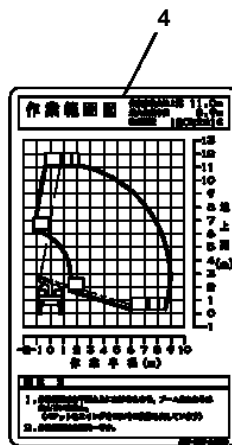
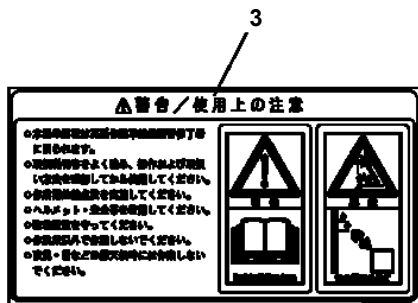


B
 扉を開いた状態

AT-110-5 42084541797 UPPER,LOWER,ISUZU TPG-NKR85AN-EE5AHY-JM
 PN5011753-00 NAME PLATE ASSY (SPECIFICATION)



キャブ左後方操作部
 扉を開いた状態



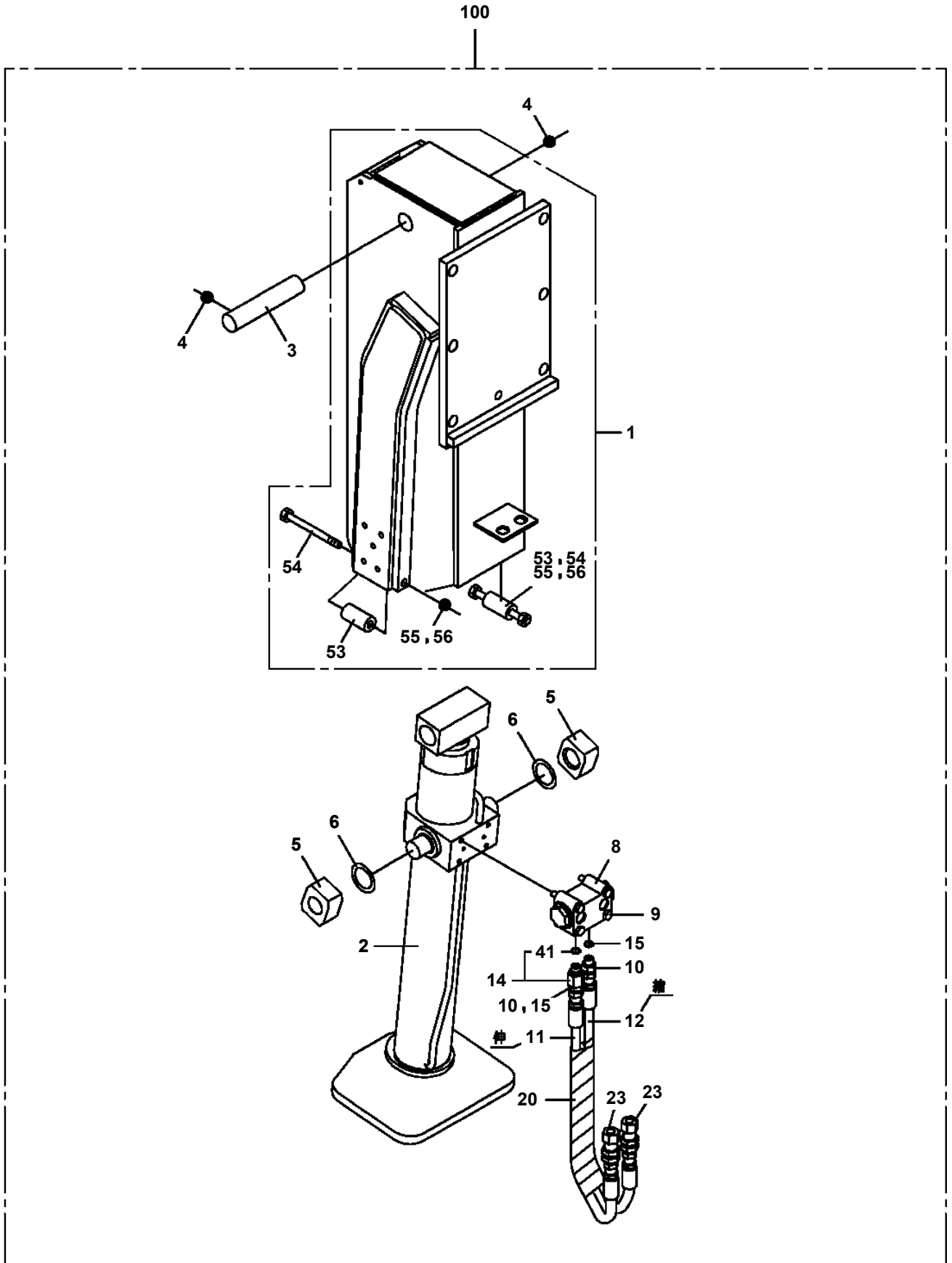
AT-110-5 42084541797 UPPER,LOWER,ISUZU TPG-NKR85AN-EE5AHY-JM

Pos No.	Parts No	Parts Name	Qty	Unit	Technical Data	Serial No (Start)	S
1	(*****)	NAME PLATE ASSY (VEHICLE)	1				
2	(*****)	NAME PLATE ASSY (TADANO,TANK,NON-SLIP,FUSE)	1				
3	(*****)	NAME PLATE ASSY (OPERATION)	1				
4	(*****)	NAME PLATE ASSY (SPECIFICATION)	1				
5	(*****)	NAME PLATE ASSY (L SPECIFICATION)	1				

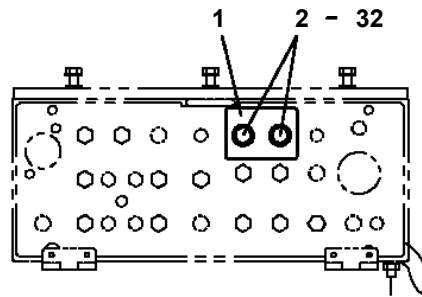
AT-110-5 42084541797 UPPER,LOWER,ISUZU TPG-NKR85AN-EE5AHY-JM

Pos No.	Parts No	Parts Name	Qty	Unit	Technical Data	Serial No (Start)	Serial No (End)	Rema
20	42332677560	SPRING	1					
25	42332677520	PLUG	1					
26	42332677530	BOOT	1					
36	42332677590	STOPPER	1					
41	42332677600	SPRING	2					
45	42332677610	COVER	1					
46	42332677620	CAP	1					
53	42332677630	BEARING	2					
54	42332677540	SPRING	1					
55	42332677650	SPRING	2					
61	42332677660	WASHER	1					
100	42332672003	OPE.ASSY (LEVER,CONTROL)	1					

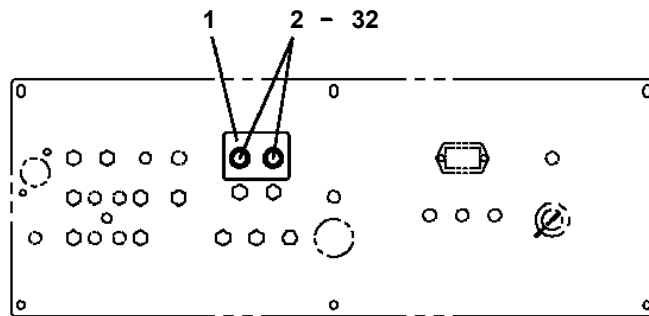
AT-110-5 42084541797 UPPER,LOWER,ISUZU TPG-NKR85AN-EE5AHY-JM
PO5270160-00 OUTRIGGER ASSY



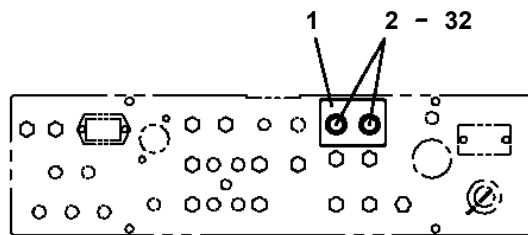
AT-110-5 42084541797 UPPER,LOWER,ISUZU TPG-NKR85AN-EE5AHY-JM
PP5340036-00 POWER SUPPLY ASSY,ELECTRICITY (LOWER,3POLES OUTLET)



(扉を開いた状態)

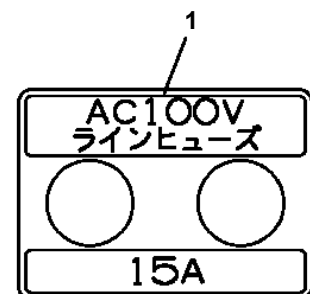


(L仕様の場合)

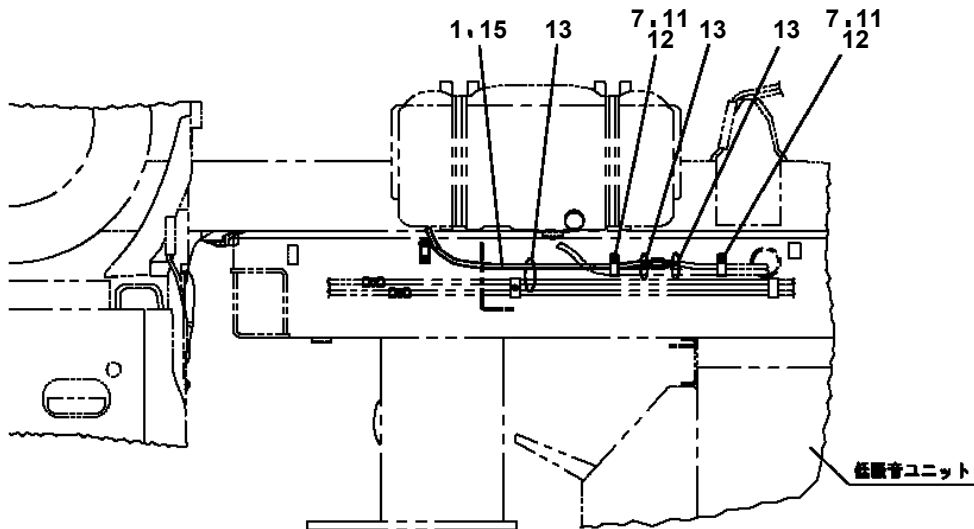


(B仕様の場合)

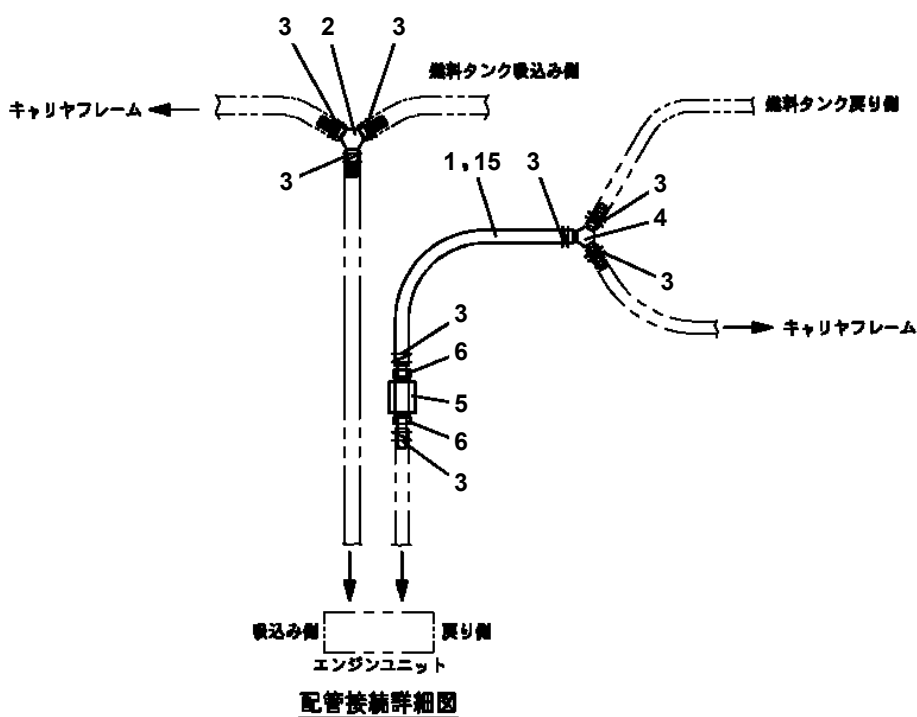
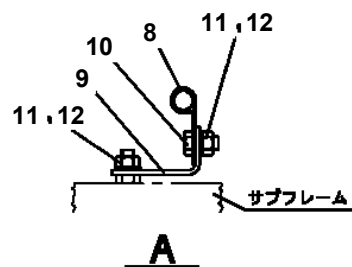
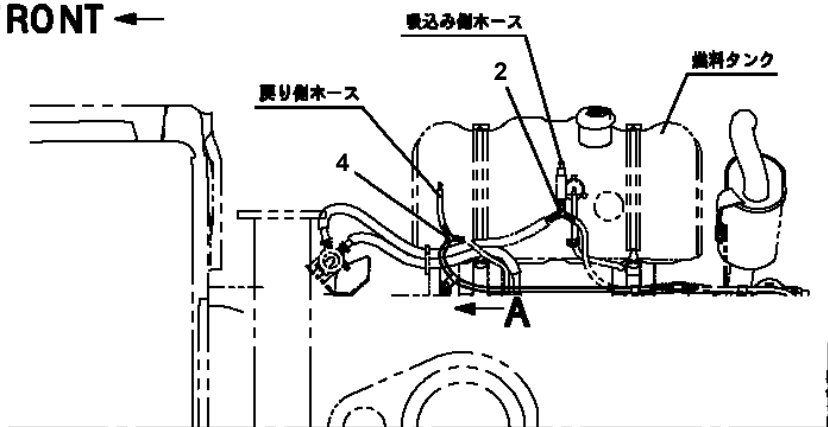
A



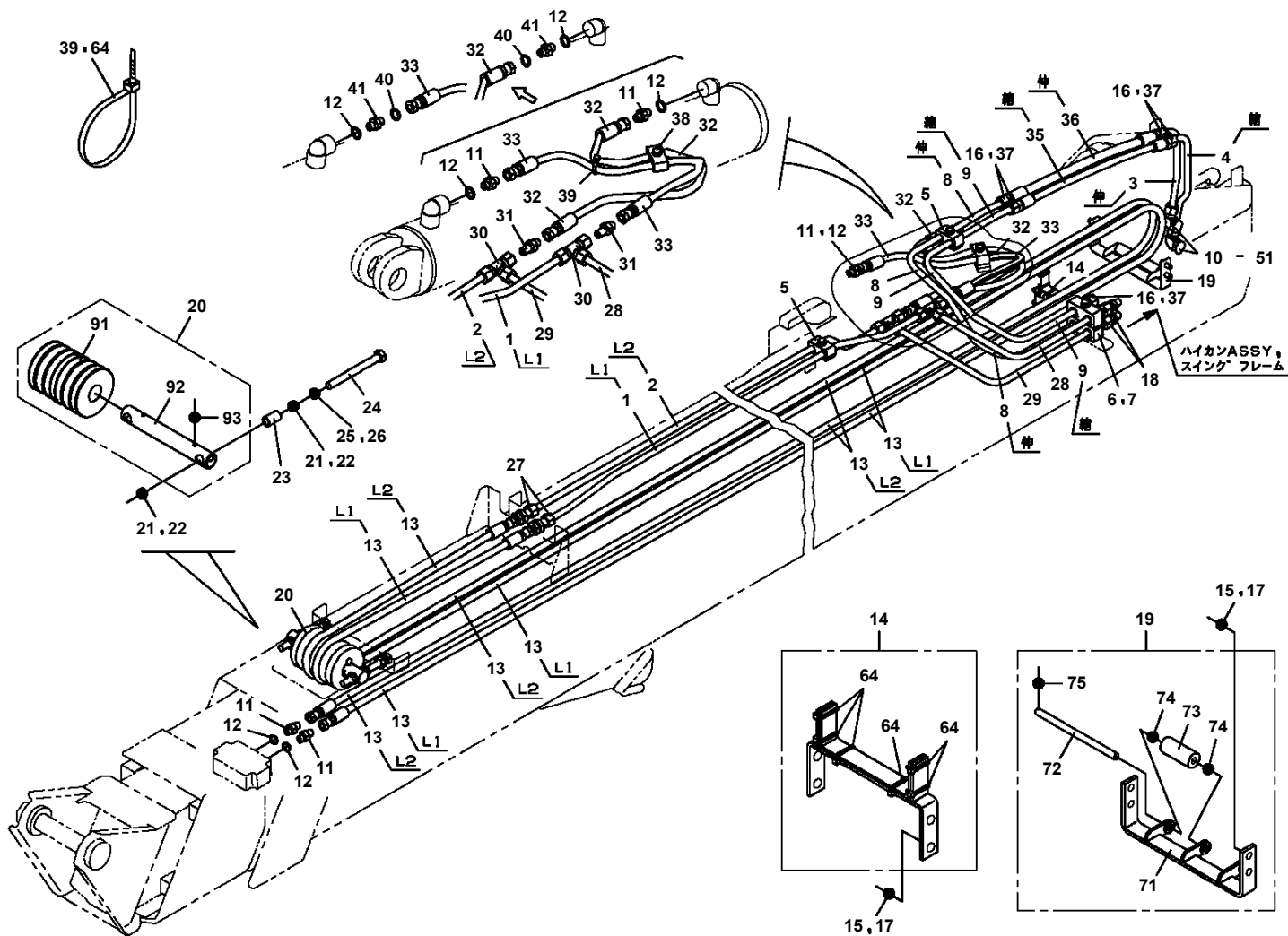
AT-110-5 42084541797 UPPER,LOWER,ISUZU TPG-NKR85AN-EE5AHY-JM
PP6010200-00 PIPING ASSY (FUEL)



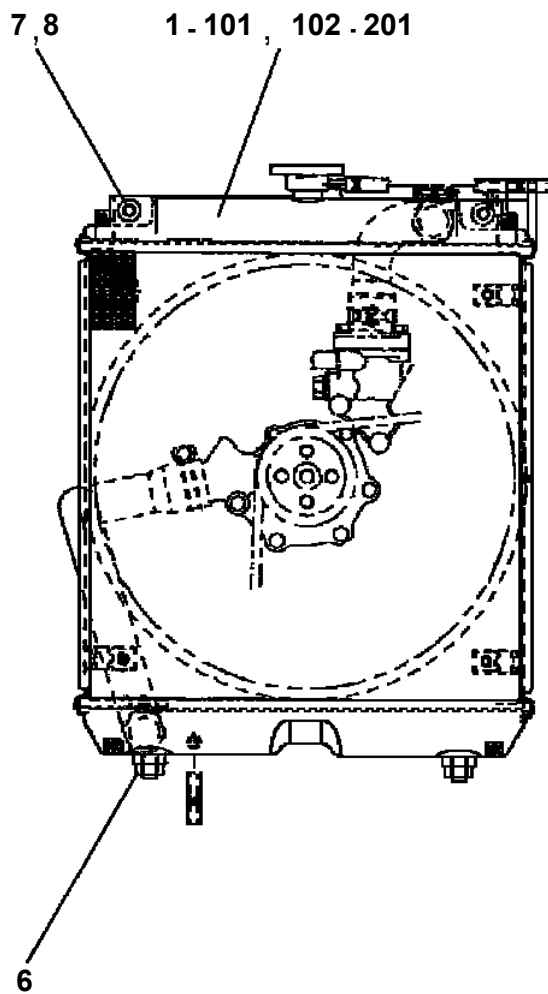
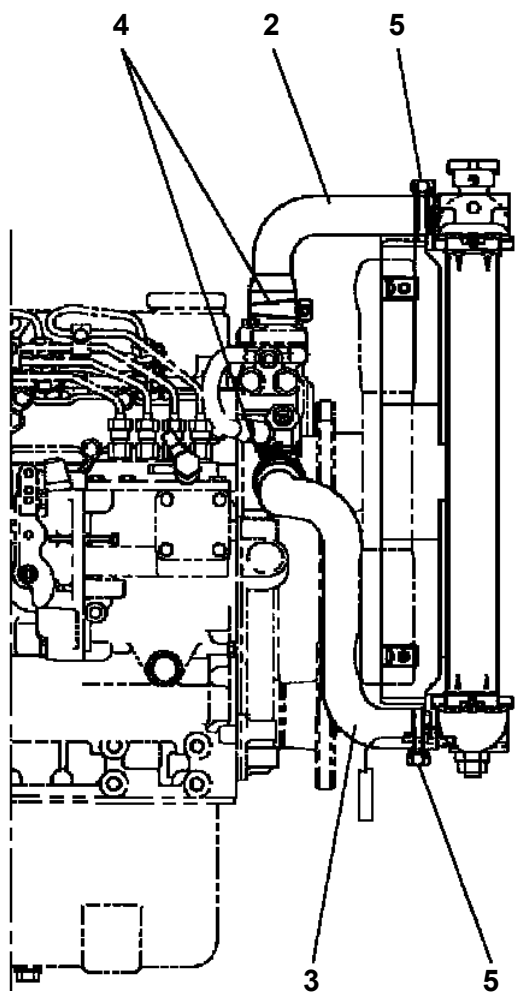
FRONT ←



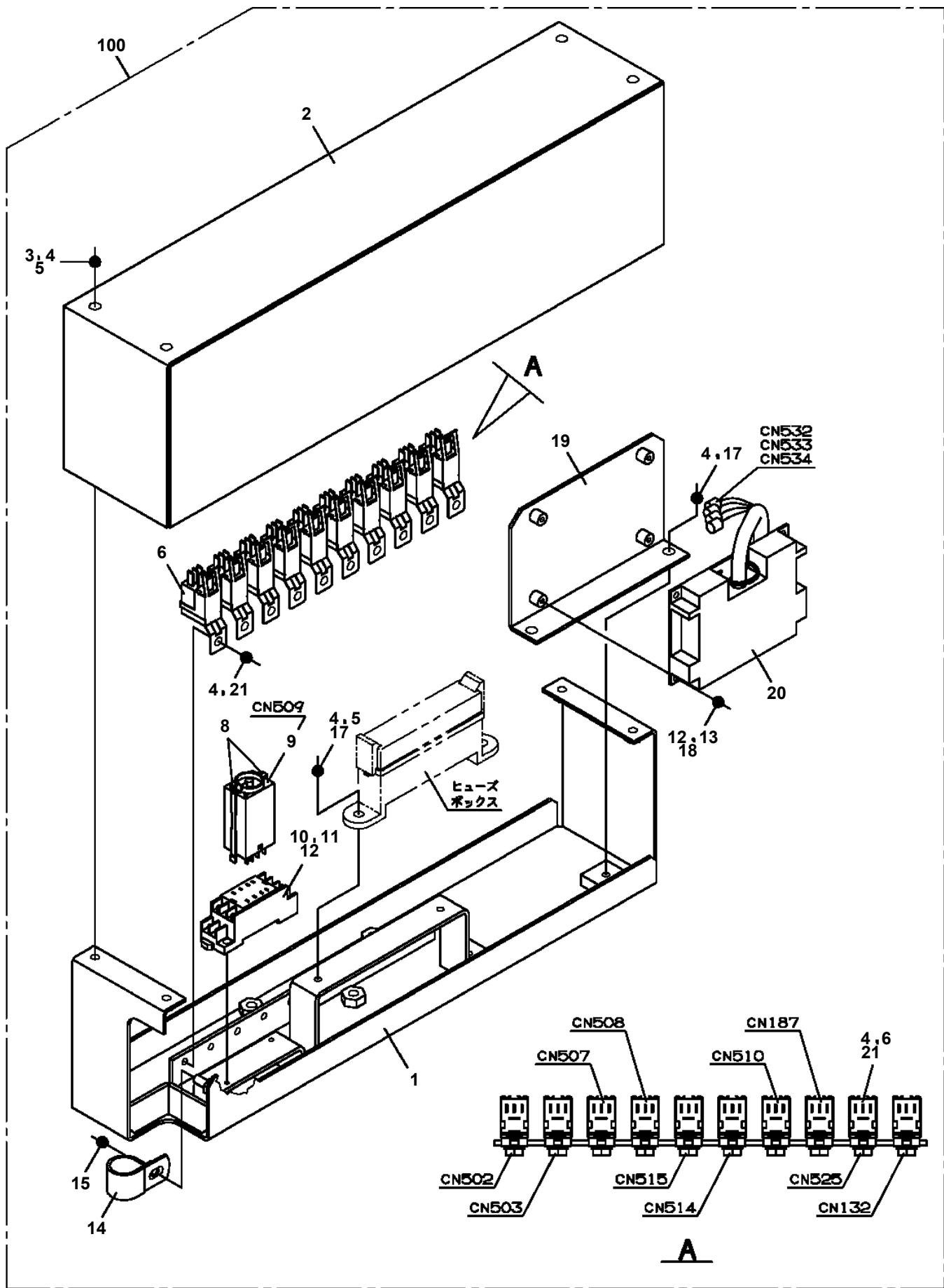
**AT-110-5 42084541797 UPPER,LOWER,ISUZU TPG-NKR85AN-EE5AHY-JM
PP6060007-01 PIPING ASSY,BOOM**



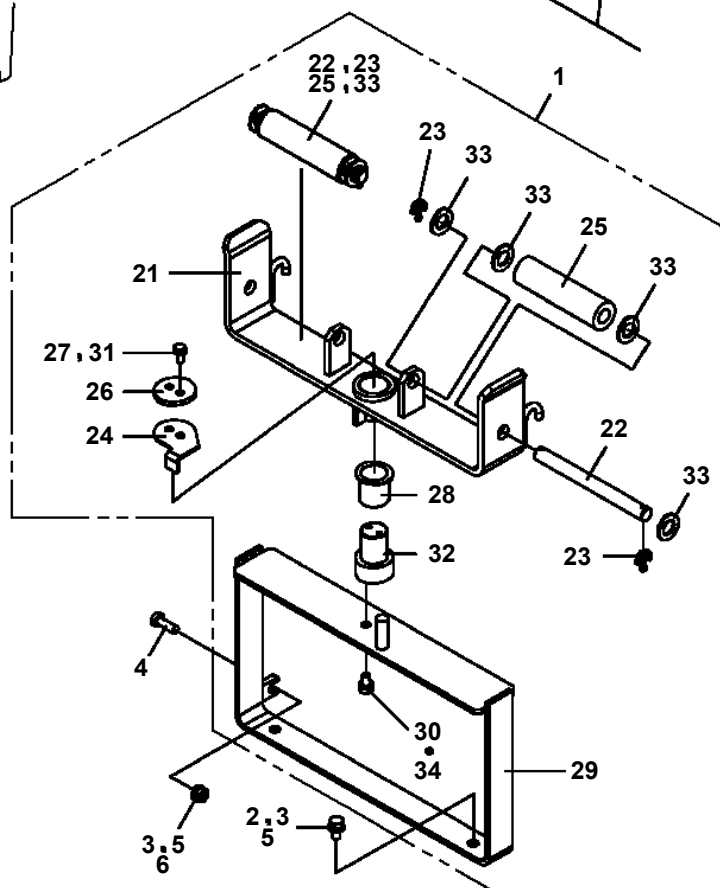
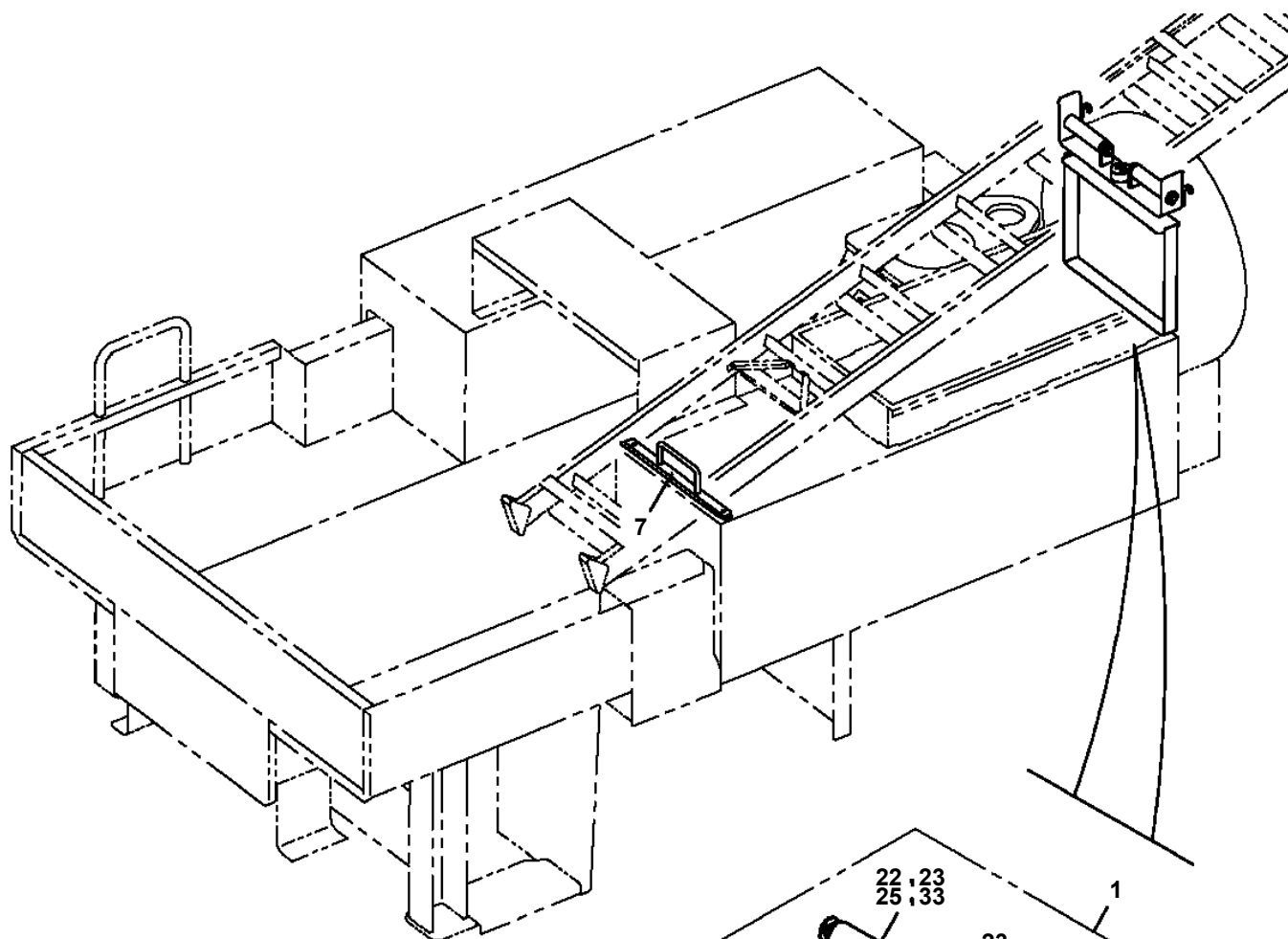
AT-110-5 42084541797 UPPER,LOWER,ISUZU TPG-NKR85AN-EE5AHY-JM
PR5020008-00 RADIATOR ASSY



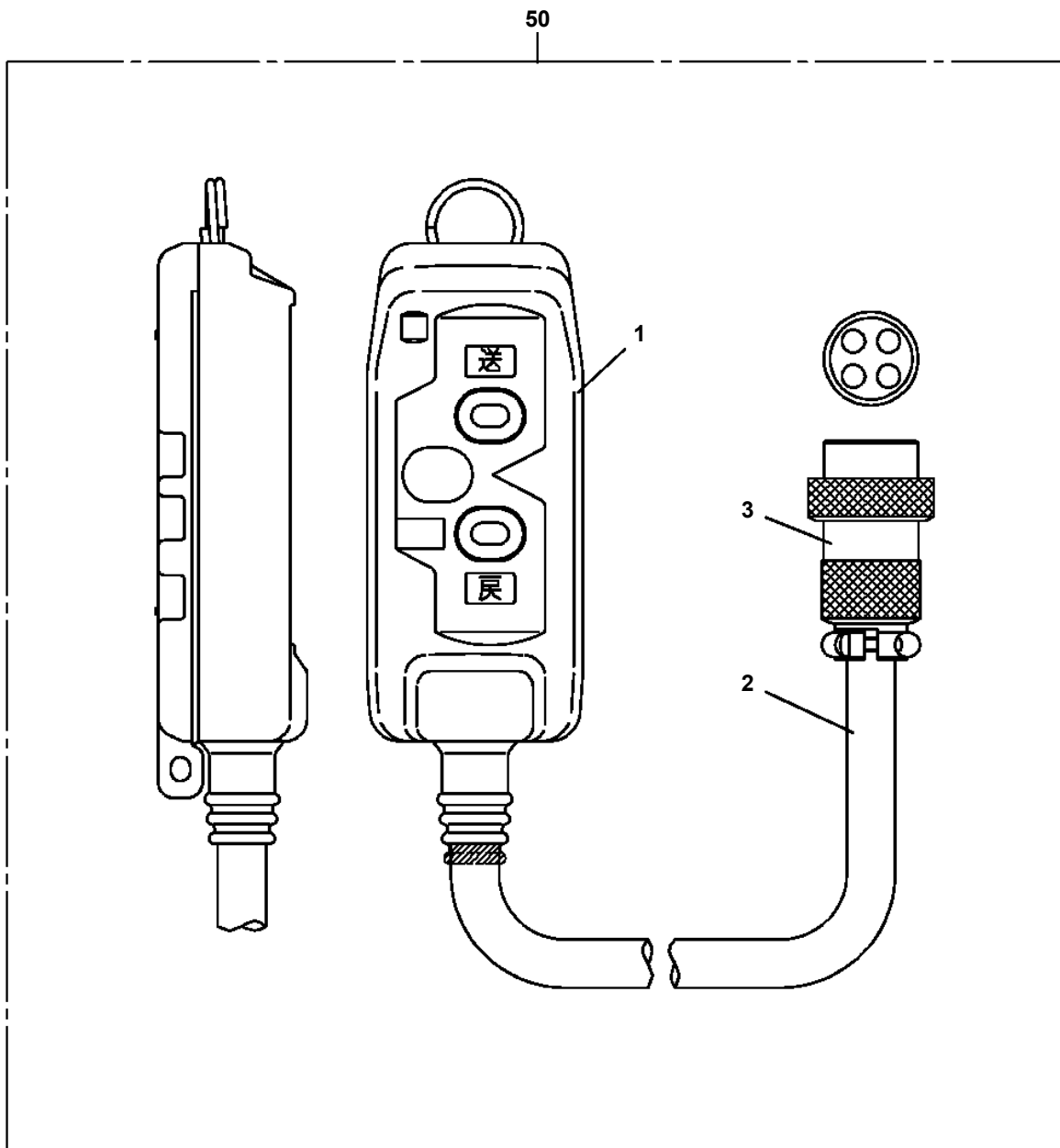
AT-110-5 42084541797 UPPER,LOWER,ISUZU TPG-NKR85AN-EE5AHY-JM
 PR5100152-00 RELAY BOX ASSY



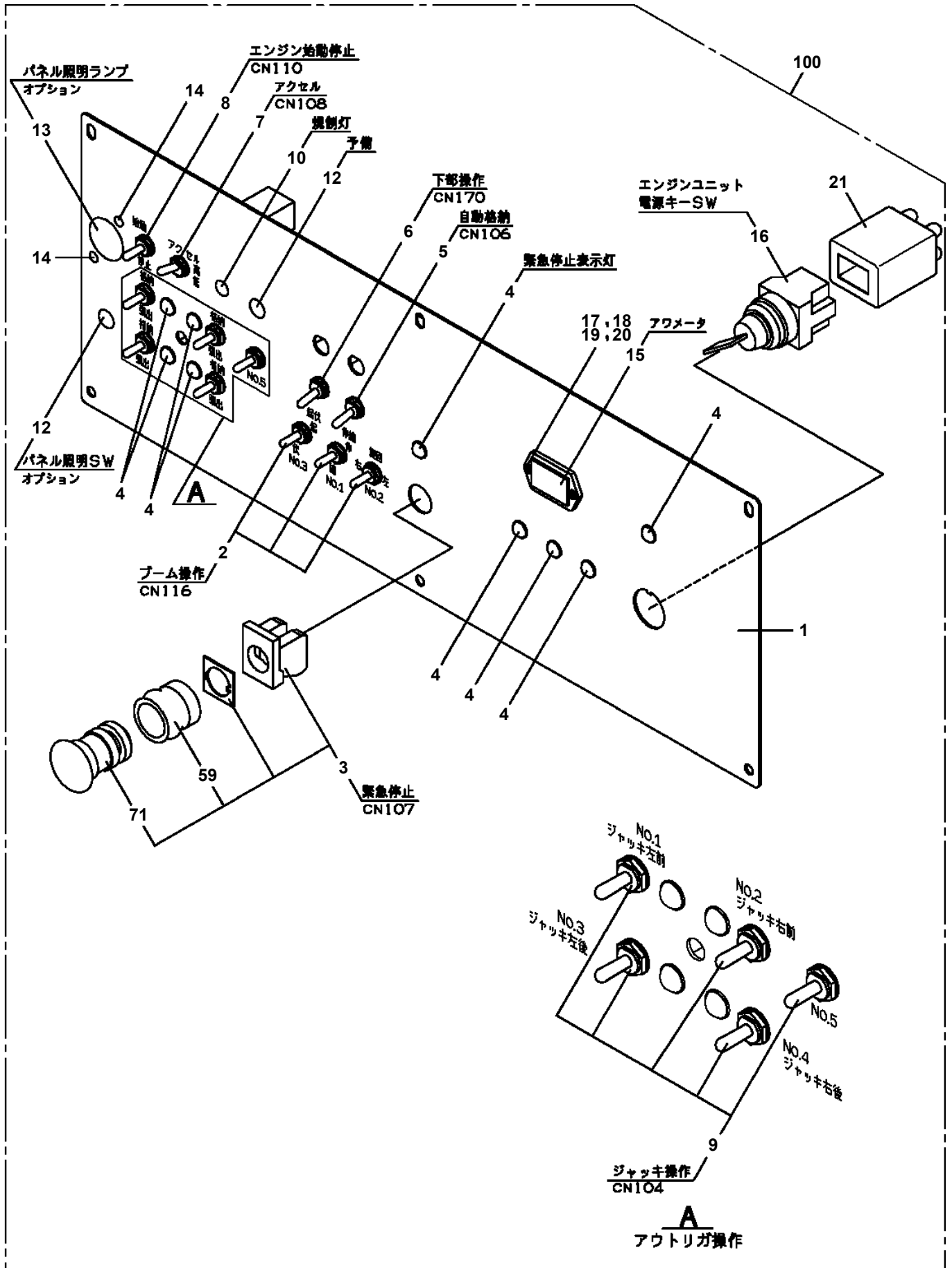
AT-110-5 42084541797 UPPER,LOWER,ISUZU TPG-NKR85AN-EE5AHY-JM
PS5420267-00 SUPPORT ASSY (2-DECKER:ROTARY RADDER REST)



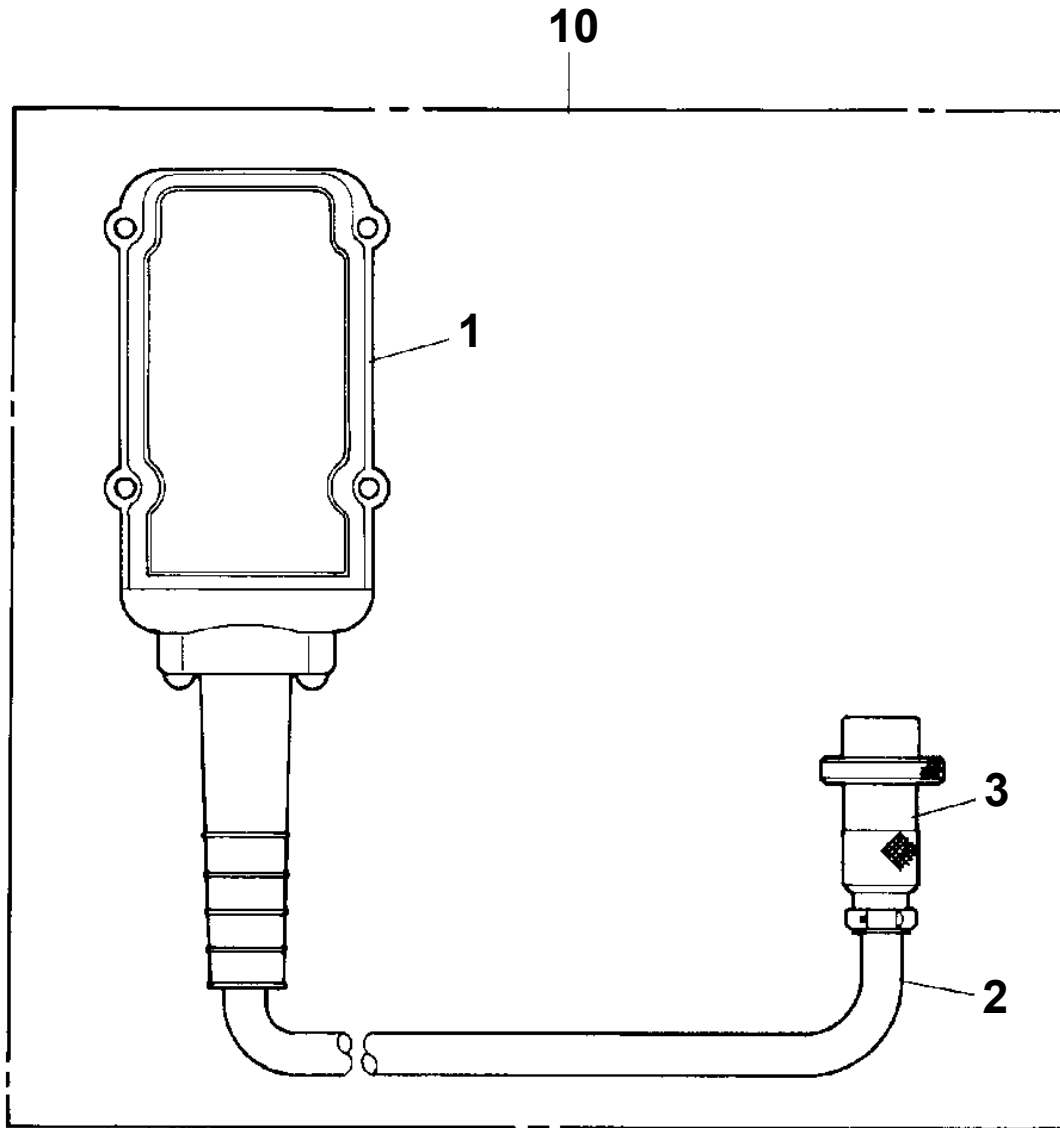
AT-110-5 42084541797 UPPER,LOWER,ISUZU TPG-NKR85AN-EE5AHY-JM
PS5530117-00 SWITCH ASSY (ELEC.BOOSTER, REMOTE:2M,NANABOSI,KASUGA)



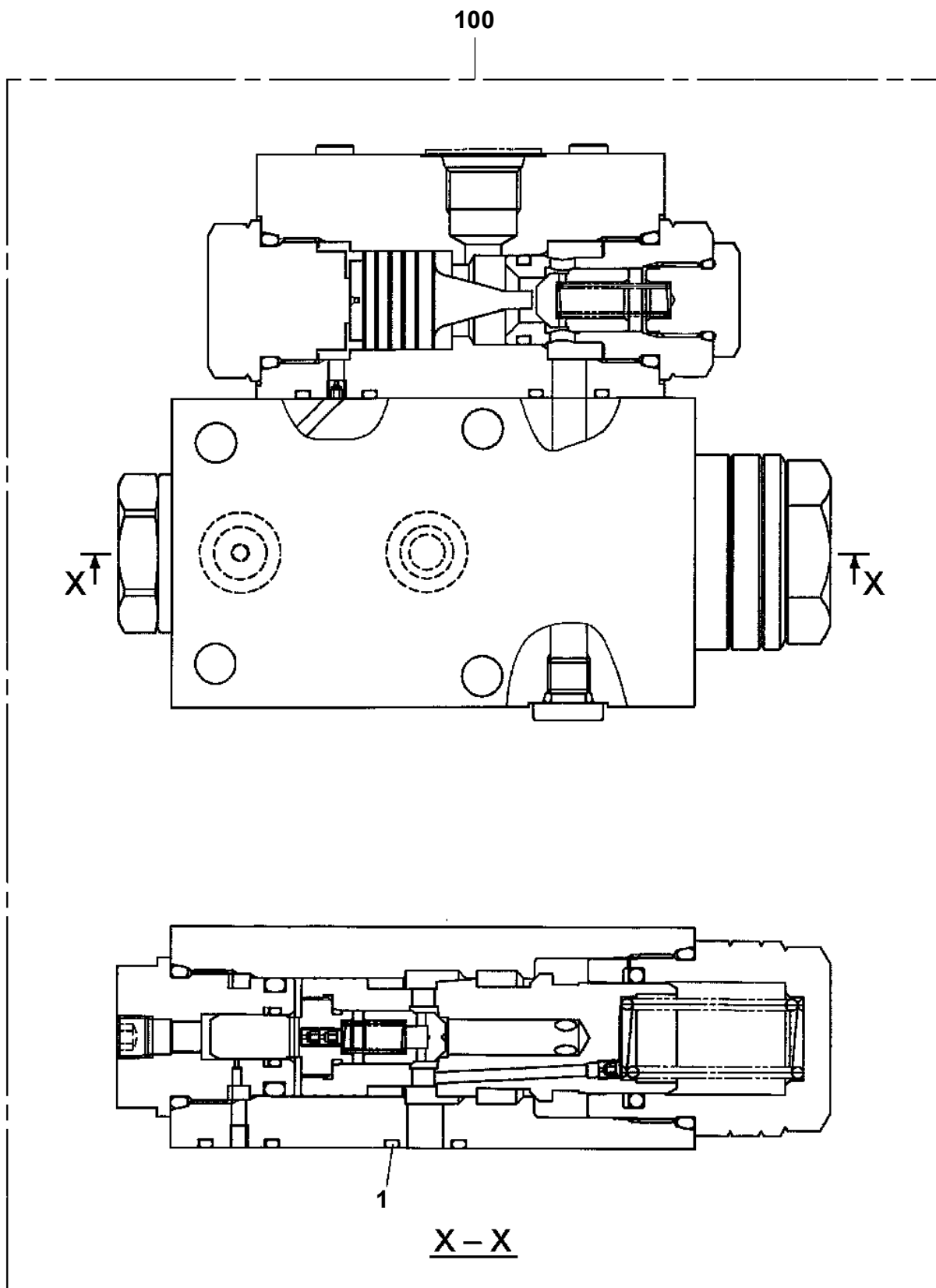
AT-110-5 42084541797 UPPER,LOWER,ISUZU TPG-NKR85AN-EE5AHY-JM
 PS5530389-00 SWITCH ASSY



AT-110-5 42084541797 UPPER,LOWER,ISUZU TPG-NKR85AN-EE5AHY-JM
PV1030001-00 SWITCH BOX (FOR BOOSTER)



AT-110-5 42084541797 UPPER,LOWER,ISUZU TPG-NKR85AN-EE5AHY-JM
PV5070007-00 VALVE ASSY,COUNTERBALANCE

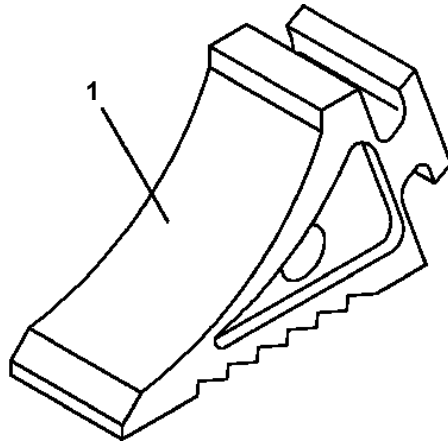


**AT-110-5 42084541797 UPPER,LOWER,ISUZU TPG-NKR85AN-EE5AHY-JM
PW1000118-00 ACCESSORIES & TOOLS**

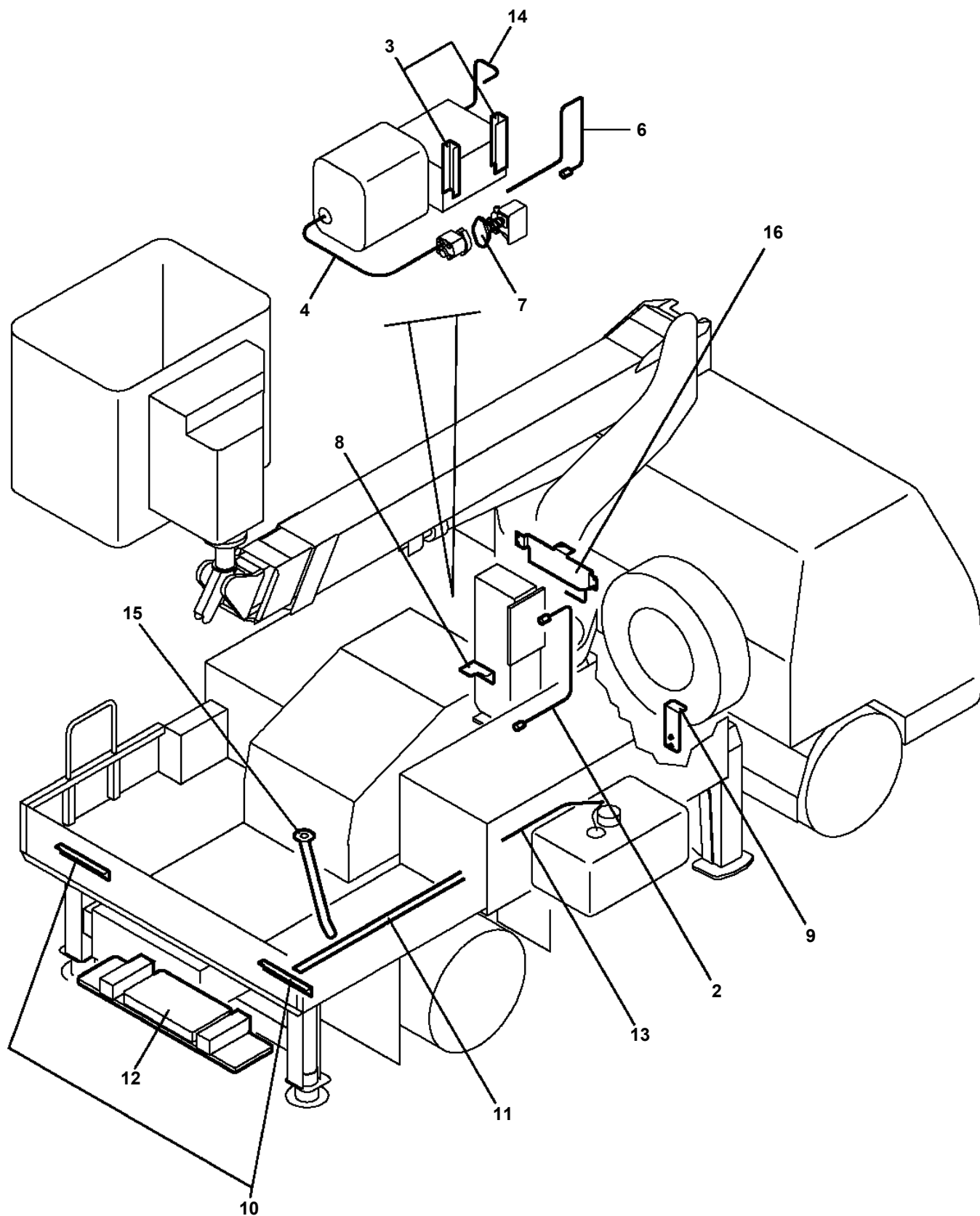
フソク ア ヒン
ACCESSORIES & TOOLS

〔組立名称一覧〕より選択してください。
SEE THE CORRESPONDING "ASSEMBLY NAME" LIST.

**AT-110-5 42084541797 UPPER,LOWER,ISUZU TPG-NKR85AN-EE5AHY-JM
PW1050018-01 WEDGE (STOPPER FOR TIRE/JUSTIN)**



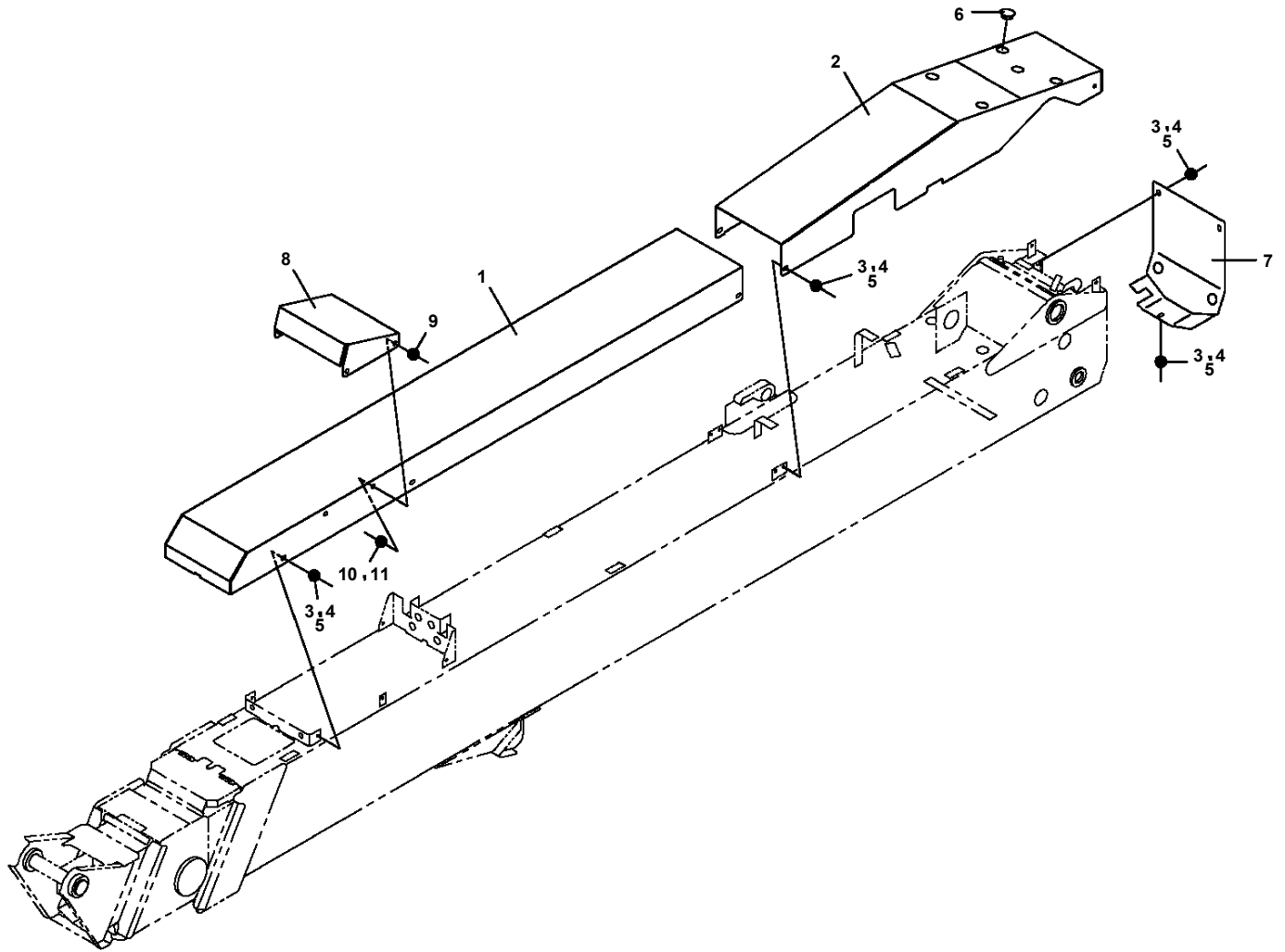
**AT-110-5 42084541797 UPPER,LOWER,ISUZU TPG-NKR85AN-EE5AHY-JM
PX2001826-00 CARRIER UNIT**



適用製造番号によっては取り付けがないものもあります。

MACHINES OF SOME SERIAL NO. ARE NOT EQUIPPED WITH THESE PARTS.

AT-110-5 42084541797 UPPER,LOWER,ISUZU TPG-NKR85AN-EE5AHY-JM
PX5260010-00 MOUNT ASSY,COVER



AT-110-5 42084541797 UPPER,LOWER,ISUZU TPG-NKR85AN-EE5AHY-JM

Pos No.	Parts No	Parts Name	Qty	Unit	Technical Data	Serial No (Start)	Serial No (End)	Remarks	Pages
1	42690690100	COVER	1						
2	90101208016	BOLT	7		M8X16				
3	90302040801	WASHER,SPRING	7		8				
4	37000553000	PLATE	7						

AT-110-5 42084541797 UPPER,LOWER,ISUZU TPG-NKR85AN-EE5AHY-JM

Pos No.	Parts No	Parts Name	Qty	Unit	Technical Data	Serial No (Start)	Serial No (End)	Remarks	Pages
1	90302041001	WASHER,SPRING	4		10				
2	90201201000	NUT	2		M10				
3	42972560200	STEP	1			HK2540	HK2539		
4	90101210020	BOLT	2		M10X20				
5	90101210016	BOLT	2		M10X16				

AT-110-5 42084541797 UPPER,LOWER,ISUZU TPG-NKR85AN-EE5AHY-JM

Pos No.	Parts No	Parts Name	Qty	Unit	Technical Data	Serial No (Start)	Serial No (End)	Remarks	Pages
1	37001601660	NUT	2		M14/B=41				
2	37000513890	PLATE	2		T=3.2				
3	42839100010	SUPPORT	1						
4	90201201000	NUT	2		M10				
5	90302041001	WASHER,SPRING	2		10				
6	90303071001	WASHER,PLAIN	2		10				

AT-110-5 42084541797 UPPER,LOWER,ISUZU TPG-NKR85AN-EE5AHY-JM
PY1001886-02 OPTION UNIT,1 (UPPER)

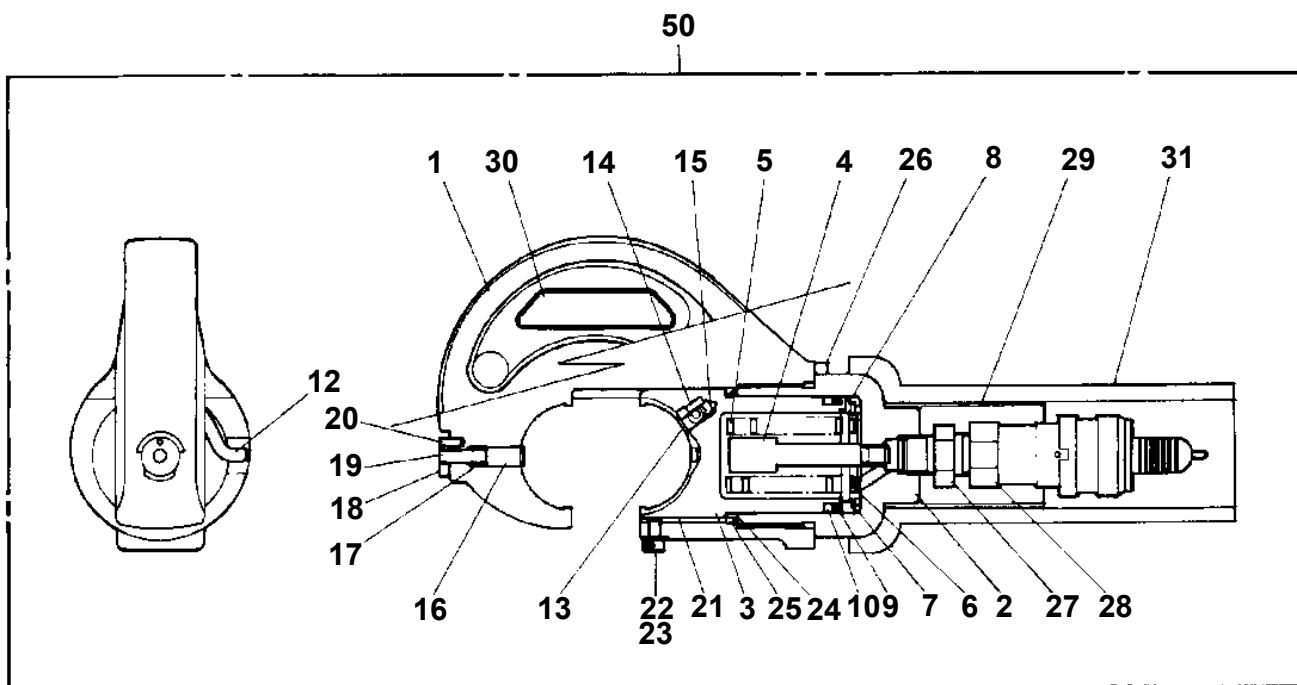
オフ ションユニット, 1 (ジ ョウブ)
OPTION UNIT, 1 (UPPER)

符号	日本語名称	英語名称	備考
2	コントロールASSY,アウトリカ	CONTROL ASSY,OUTRIGGER	ジャッキ自動水平(伸び側合わせ)
3	サポ ートASSY	SUPPORT ASSY	荷合ロープ用フック
4	フロートASSY	FLOAT ASSY	ジャッキパッド(ガイド式フロントジャッキ用)
5	コントロールASSY,アウトリカ	CONTROL ASSY,OUTRIGGER	ジャッキ自動水平+傾斜地警報
5	コントロールASSY,アウトリカ	CONTROL ASSY,OUTRIGGER	ジャッキ自動水平(伸び側合わせ)+傾斜地警報
6	マウントASSY,ステップ	MOUNT ASSY,STEP	右前ステップ(ガイド式フロントジャッキ用)
7	ブ ーザ ASSY	BUZZER ASSY	ジャッキ浮き警報
8	ハイセンASSY	ELEC. ASSY	排ガス警報(TTE用)
10	カバーASSY	COVER ASSY	SIパケット用 インナーケース上蓋保護材
11	ハイセンASSY	ELEC. ASSY	傾斜地警報
12	ランプ ASSY	LAMP ASSY	下部操作部照灯
13	ランプ ASSY,ワーキング	LAMP ASSY,WORKING	上部作業灯
15	スイッチASSY {安全帯インターロック}	SWITCH ASSY	電工向け,一人掛け,3輪イネーブルSW付き用 対応フック兼井電IFS-4B,FS-52
16	ブ ースタASSY,エア	BOOSTER ASSY,AIR	40t,仮保持付 インチンク 式油圧取出付 エア式操作
17	ブ ースタASSY,エア	BOOSTER ASSY,AIR	40t,仮保持付 ハ ールス式油圧取出付 エア式操作
18	ブ ースタASSY,エレキ	BOOSTER ASSY,ELECTRICITY	40t,仮保持付 ハ ールス式油圧取出付 エレキ式操作(七星)
19	ブ ースタASSY,エレキ	BOOSTER ASSY,ELECTRICITY	40t,仮保持付 ハ ールス式油圧取出付 エレキ式操作(三和)
20	コントロールASSY,アウトリカ	CONTROL ASSY,OUTRIGGER	開電工向け車体自動水平:いすゞ製
21	ブ ースタASSY,エレキ	BOOSTER ASSY,ELECTRICITY	40t,仮保持付 インチンク 式油圧取出付 エレキ式操作(三和)
22	ブ ースタASSY,エレキ	BOOSTER ASSY,ELECTRICITY	40t,仮保持付 インチンク 式油圧取出付 エレキ式操作(七星)
23	ランプ ASSY,ワーキング	LAMP ASSY,WORKING	上部LED作業灯
24	ランプ ASSY,ワーキング	LAMP ASSY,WORKING	下部LED作業灯
41	ハ ーサプ ライASSY,エレキ	POWER SUPPLY ASSY,ELECTRICITY	下部(ケーブル付き3極アース付)
42	ハイセンASSY {エレキ}	ELEC. ASSY	パケット部 (100V 3極アース付) (作業灯 55W)
43	ハ ーサプ ライASSY,エレキ {テ ンゲ ン}	POWER SUPPLY	パケット部 (100V 3極アース付)

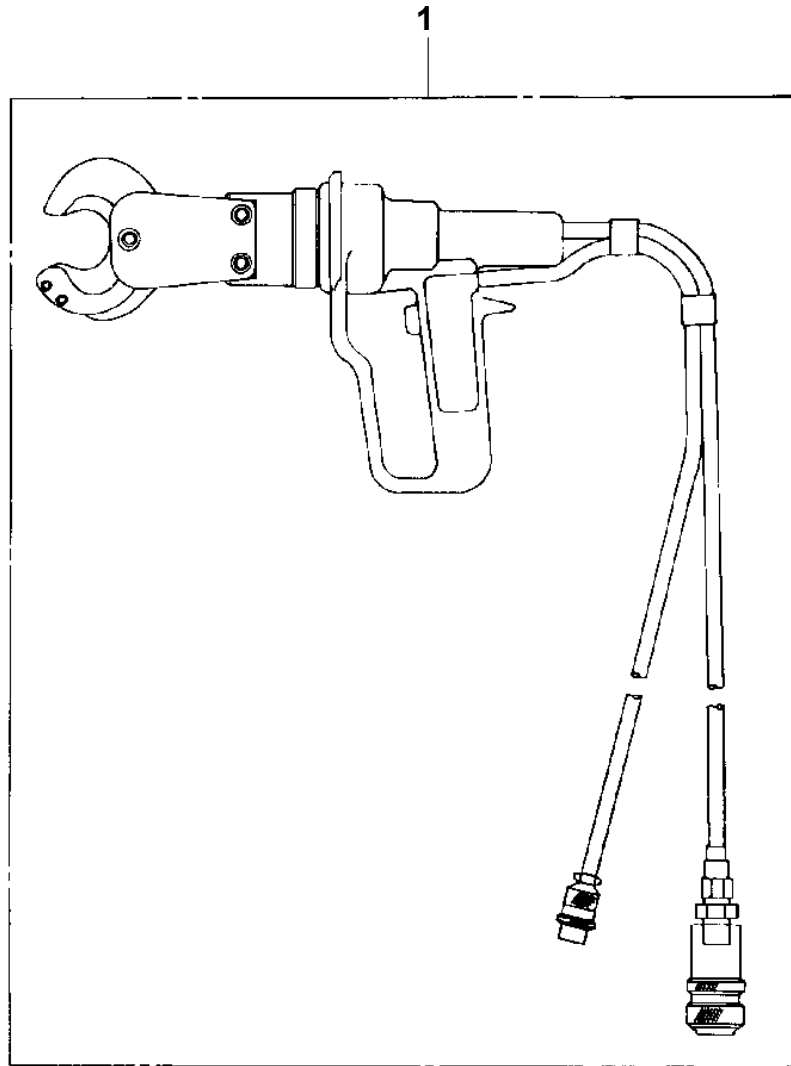
適用製造番号によっては取り付けがないものもあります。

MACHINES OF SOME SERIAL NO. ARE NOT EQUIPPED WITH THESE PARTS.

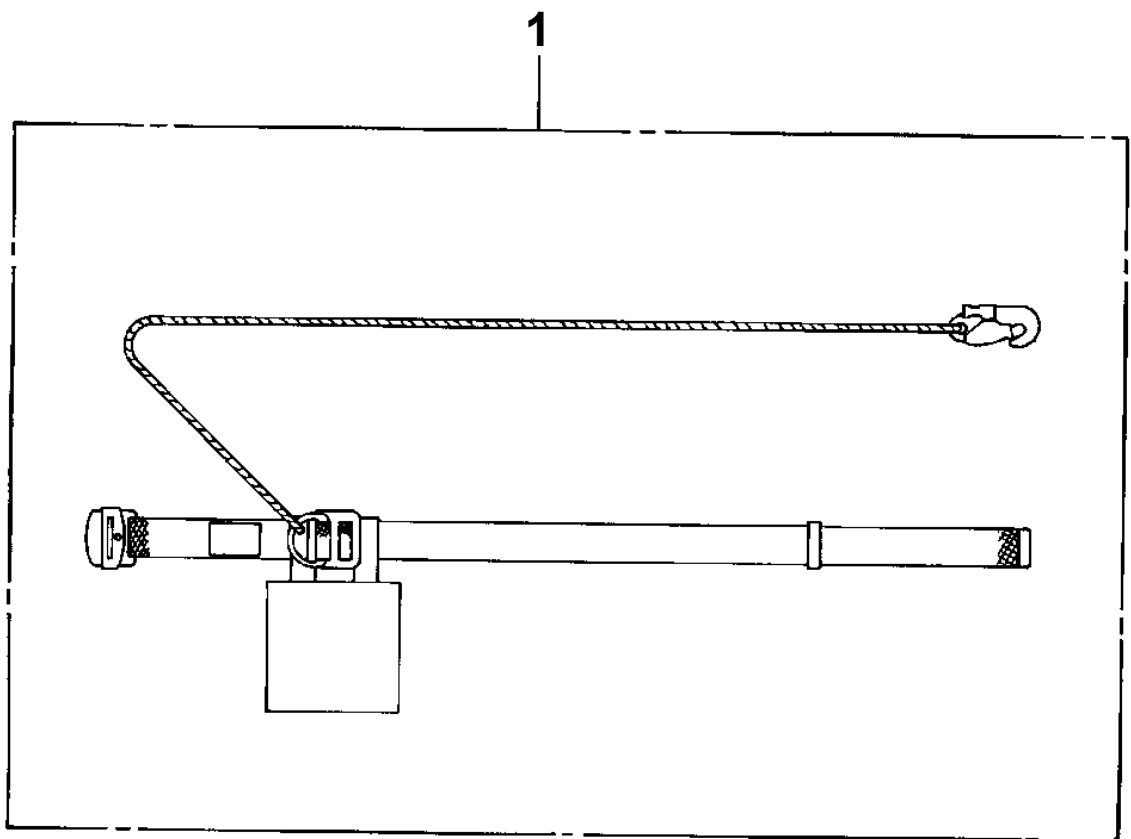
AT-110-5 42084541797 UPPER,LOWER,ISUZU TPG-NKR85AN-EE5AHY-JM
PY1050007-00 CLAMP HEAD (SANWA,12TON)



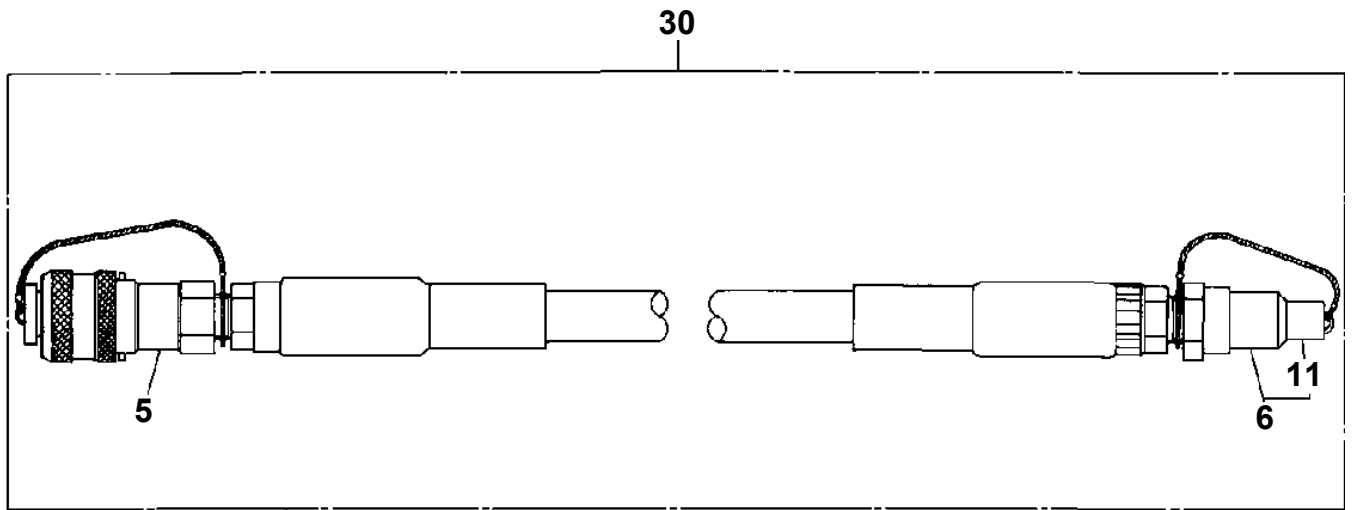
**AT-110-5 42084541797 UPPER,LOWER,ISUZU TPG-NKR85AN-EE5AHY-JM
PY1060001-00 CUTTER HEAD (IZUMI 6.4TON 2.5M ELECTRIC)**



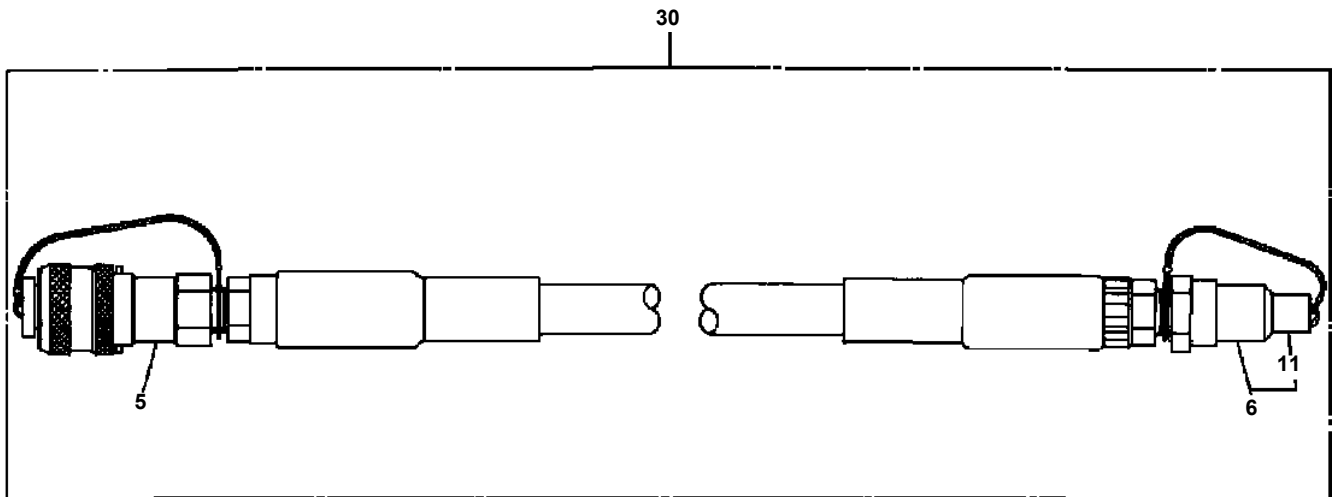
AT-110-5 42084541797 UPPER,LOWER,ISUZU TPG-NKR85AN-EE5AHY-JM
PY1090001-00 BELT,SAFETY



**AT-110-5 42084541797 UPPER,LOWER,ISUZU TPG-NKR85AN-EE5AHY-JM
PY1590002-02 HOSE,BOOSTER (MAIL-FEMALE,3M)**

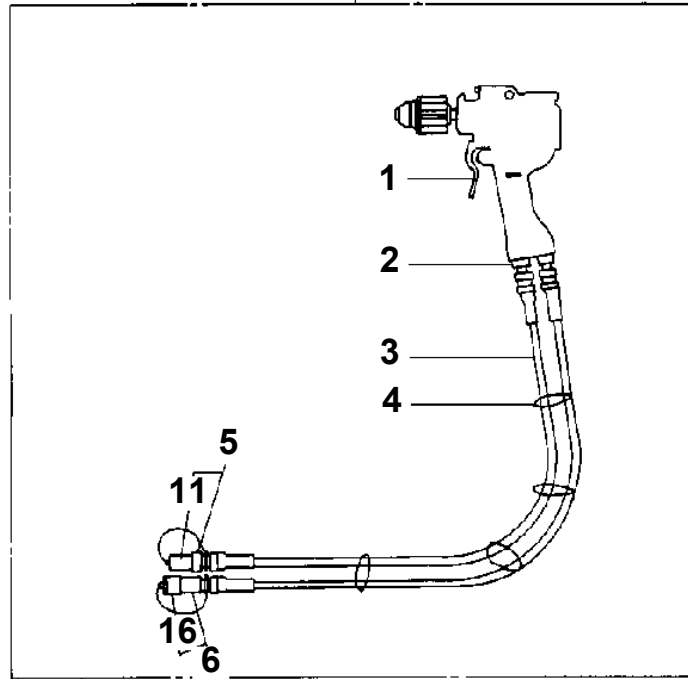


AT-110-5 42084541797 UPPER,LOWER,ISUZU TPG-NKR85AN-EE5AHY-JM
PY1590008-00 HOSE,BOOSTER (MALE-FEMALE,5M)

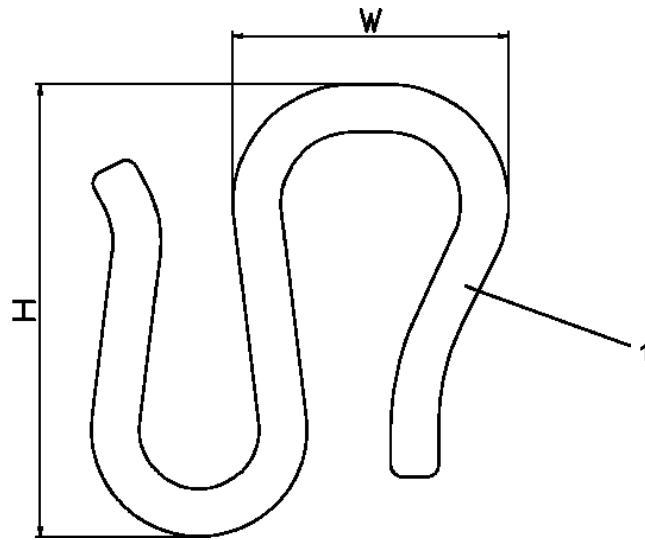


AT-110-5 42084541797 UPPER,LOWER,ISUZU TPG-NKR85AN-EE5AHY-JM
PY1640000-01 DRIL,HYDRAULIC

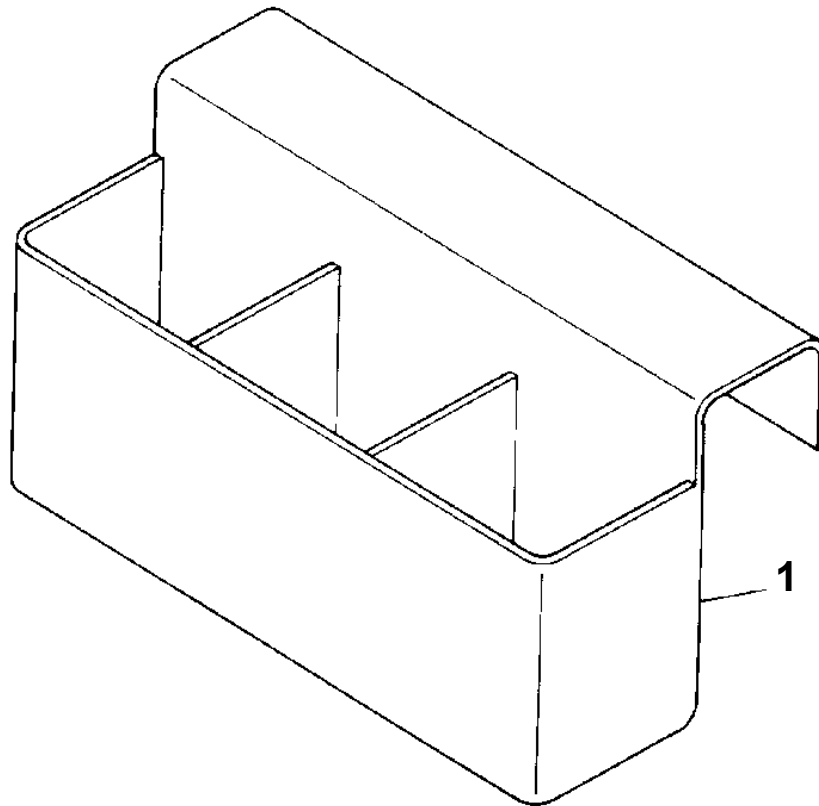
20



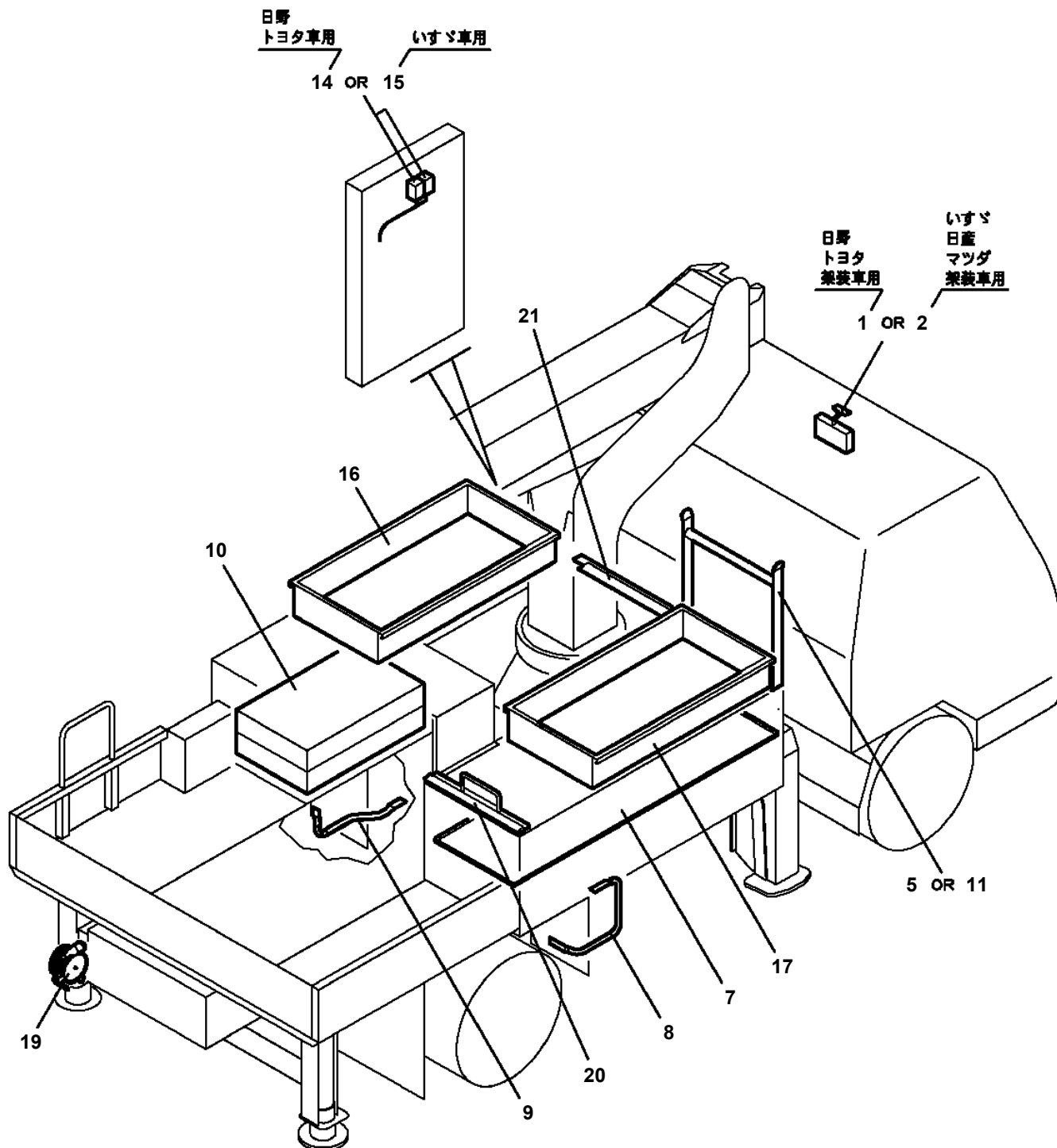
**AT-110-5 42084541797 UPPER,LOWER,ISUZU TPG-NKR85AN-EE5AHY-JM
PY1790004-01 HANGER (FOR BUCKET,FRP)**



**AT-110-5 42084541797 UPPER,LOWER,ISUZU TPG-NKR85AN-EE5AHY-JM
PY2120000-00 BOX,TOOL (FOR BUCKET)**



AT-110-5 42084541797 UPPER,LOWER,ISUZU TPG-NKR85AN-EE5AHY-JM
PY4000033-02 OPTION UNIT,1 (LOWER)



適用製造番号によっては取り付けがないものもあります。

MACHINES OF SOME SERIAL NO. ARE NOT EQUIPPED WITH THESE PARTS.

CLICK HERE TO **DOWNLOAD** THE COMPLETE MANUAL

- Thank you very much for reading the preview of the manual.
- You can download the complete manual from: www.heydownloads.com by clicking the link below



- Please note: If there is no response to CLICKING the link, please download this PDF first and then click on it.

CLICK HERE TO **DOWNLOAD** THE COMPLETE MANUAL