

AT-100-4 42063440700 LOWER,ISUZU PB-NKR81AN-E5EXHY-B

PB3000160-00 POWER UNIT
PO1000149-00 INDICATION PLATES
PX2000947-00 CARRIER UNIT
PX3000418-01 MOUNTING UNIT
PY1001049-02 OPTIONS,1 (LOWER)
ASSEMBLY

CLICK HERE TO **DOWNLOAD** THE COMPLETE MANUAL

- Thank you very much for reading the preview of the manual.
- You can download the complete manual from: www.heydownloads.com by clicking the link below



- Please note: If there is no response to CLICKING the link, please download this PDF first and then click on it.

CLICK HERE TO **DOWNLOAD** THE COMPLETE MANUAL

AT-100-4 42063440700 LOWER,ISUZU PB-NKR81AN-E5EXHY-B

Pos No.	Parts No	Parts Name	Qty	Unit	Technical Data	Serial No (S
1	(*****)	SUPPORT (FIXED RADDER REST)	1			
	(*****)	SUPPORT (SWIVEL LADDER REST,2-DECKER/2007)	1			218752
	(*****)	SUPPORT (FIXED LADDER REST,1-DECKER/2007)	1			218752
	(*****)	SUPPORT (1-DECK & FOR SHELF SLIDE BOX/2007,2010)	1			218752
2	(*****)	SUPPORT (FIXED LADDER REST,2-DECKER/2007)	1			218752
	(*****)	VIEW SYSTEM (FOR MITSUBISHI)	1			
	(*****)	VIEW SYSTEM (FOR ISUZU,NISSAN,MAZDA)	1			
3	(*****)	VIEW SYSTEM (FOR HINO,TOYOTA)	1			
	(*****)	BOX,TOOL (DRAWER/2007)	1			218752
	(*****)	BOX,TOOL (DRAWER FOR LEFT SLIDE TOOL BOX:2007,2010)	1			218752
	(*****)	BOX,TOOL (DRAWER FOR LEFT TOOL BOX:2007,2010)	1			219342

AT-100-4 42063440700 LOWER,ISUZU PB-NKR81AN-E5EXHY-B

Pos No.	Parts No	Parts Name	Qty	Unit	Technical Data	Serial No (Start)	Serial No (End)	Remarks	Page
1	90303071001	WASHER,PLAIN	2		10				
2	90302041001	WASHER,SPRING	2		10				
3	90174110035	BOLT	2		M10X35				
4	36652840000	PUMP,OIL (32CC:L)	1						00005

AT-100-4 42063440700 LOWER,ISUZU PB-NKR81AN-E5EXHY-B

Pos No.	Parts No	Parts Name	Qty	Unit	Technical Data	Serial No (Start)	Serial No (End)	Remarks	Pages
1	42501151200	CASE, OUTER	1						
2	42501151400	CASE, INNER	1						
3	36035810000	CYLINDER, JACK	1						000017
4	37000165180	PIN	1						
5	80601110250	RING, RITAINING	2		S25				
7	37000169010	PIN	1		30				
8	80601110300	RING, RITAINING	2		S30				
9	42613791600	COVER	1						
10	90186206014	BOLT, FLANGE	2		M6X14				
11	36625740001	VALVE, CHECK	1						000044
12	90171108055	BOLT	4		M8X55				
13	42611870030	COVER	1						
14	90101208012	BOLT	4		M8X12				
15	90302040801	WASHER, SPRING	4		8				
16	90171108016	BOLT	2		M8X16				
17	31611640150	SPRING	1						
18	37000504780	PLATE	N		T=0.6				
41	82100002002	CLAMP	1		WR6				
42	90101206018	BOLT	1		M6X18				
43	90302040601	WASHER, SPRING	1		6				
44	90101208022	BOLT	2		M8X22				
45	42613794100	PLATE	1						
46	42613794010	BOLT	1		M6X20				
47	90201200600	NUT	1		M6				
48	82104502010	SWITCH, LIMIT	1						
49	90101204025	BOLT	2		M4X25				
50	90302040401	WASHER, SPRING	2		4				
51	42611483300	PLATE	1		T=3				
52	42501152100	COVER	1						
53	91810130240	FASTENER	N						
54	90302040801	WASHER, SPRING	4		8				
55	90101208010	BOLT	2		M8X10				
56	90201200800	NUT	1		M8				
100	42501151101	OUTRIGGER	1						

AT-100-4 42063440700 LOWER,ISUZU PB-NKR81AN-E5EXHY-B

Pos No.	Parts No	Parts Name	Qty	Unit	Technical Data	Serial No (Start)	Serial No (End)	Remarks	Pages
1	42971100100	SUPPORT	1						
2	42971100200	SUPPORT	1						
3	90101210025	BOLT	2		M10X25	218752			
4	90302041001	WASHER,SPRING	2		10				
5	90201201000	NUT	2		M10				
6	90303071001	WASHER,PLAIN	2		10				
7	90101208020	BOLT	2		M8X20		219273		
8	90302040801	WASHER,SPRING	2		8		219273		
9	82466102908	WASHER	2				219273		

AT-100-4 42063440700 LOWER,ISUZU PB-NKR81AN-E5EXHY-B

Pos No.	Parts No	Parts Name	Qty	Unit	Technical Data	Serial No (Start)	Serial No (End)	Remarks	Pages
1	42739991100	VIEW SYSTEM	1						000026
2	91810130240	FASTENER	10				HK1600		
	91810130240	FASTENER	15			HK1601			
4	82100001242	TERMINAL	1			HK1226			
5	82100001221	INSULATOR	1			HK1226			
6	82115001002	CONNECTOR	2			HK1226			

AT-100-4 42063440700 LOWER,ISUZU PB-NKR81AN-E5EXHY-B

Pos No.	Parts No	Parts Name	Qty	Unit	Technical Data	Serial No (Start)	Serial No (End)	Remarks	I
1	(*****)	VIEW SYSTEM (MONITOR)	1						0
2	(*****)	VIEW SYSTEM (CAMERA)	1						0

AT-100-4 42063440700 LOWER,ISUZU PB-NKR81AN-E5EXHY-B

Pos No.	Parts No	Parts Name	Qty	Unit	Technical Data	Serial No (Start)	Serial No (End)	Remarks
2	42739697510	CABLE ASSY	1					
3	42739697540	CABLE ASSY	1					
4	42739697520	CLIP	1					
5	42739697530	REMOTE CONTROL ASSY	1					
100	42739693110	DISPLAY	1					

CLICK HERE TO **DOWNLOAD** THE COMPLETE MANUAL

- Thank you very much for reading the preview of the manual.
- You can download the complete manual from: www.heydownloads.com by clicking the link below



- Please note: If there is no response to CLICKING the link, please download this PDF first and then click on it.

CLICK HERE TO **DOWNLOAD** THE COMPLETE MANUAL

AT-100-4 42063440700 LOWER,ISUZU PB-NKR81AN-E5EXHY-B

Pos No.	Parts No	Parts Name	Qty	Unit	Technical Data	Serial No (Start)	Serial No (End)	Remarks	Pages
1	42806830800	HARNESS	1						

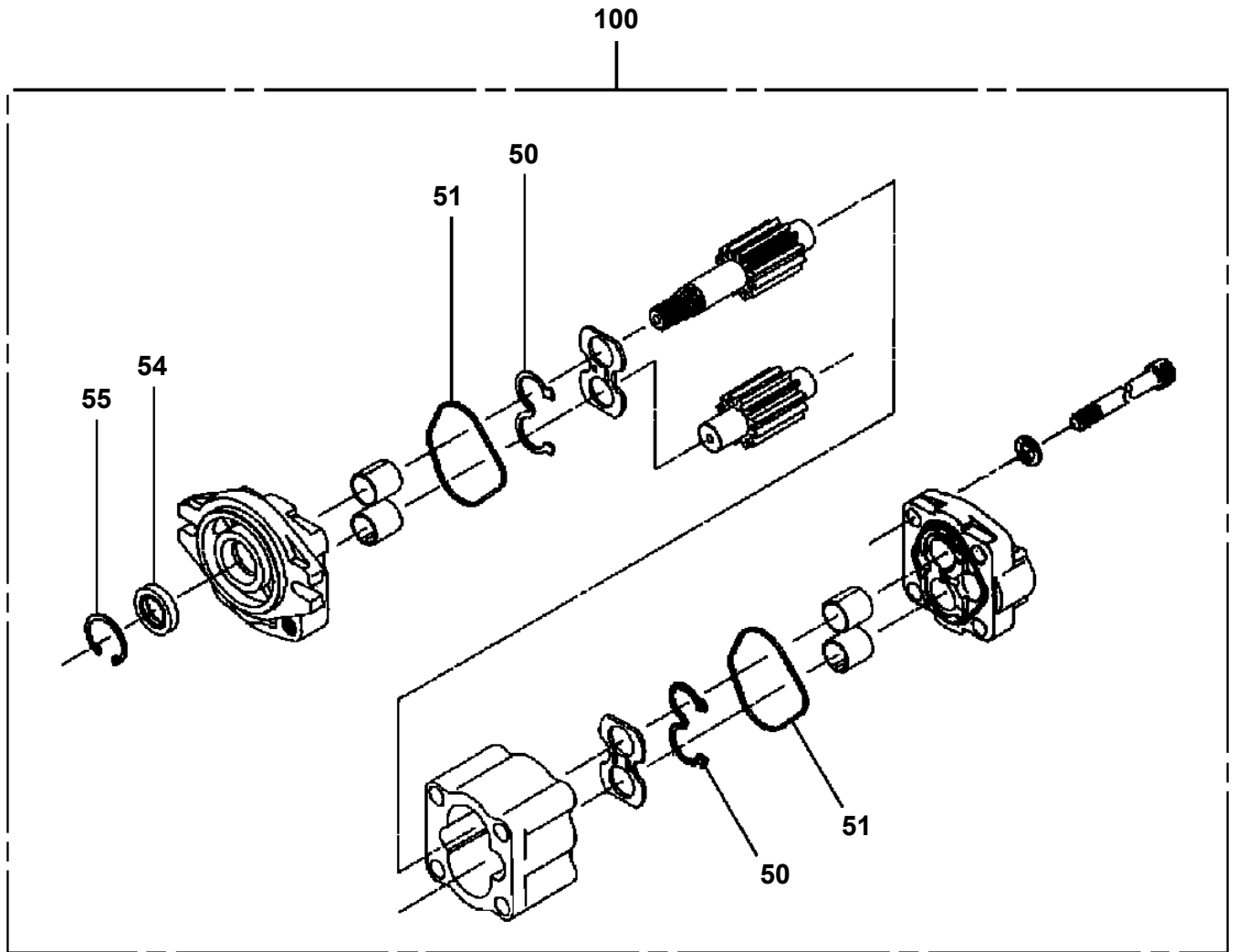
AT-100-4 42063440700 LOWER,ISUZU PB-NKR81AN-E5EXHY-B

Pos No.	Parts No	Parts Name	Qty	Unit	Technical Data	Serial No (Start)	Serial No (End)	Remarks
1	36672285010	HEAD ASSY	1					
2	36670109511	FILTER,CARTRIDGE	1				HK2666	
	36672580000	FILTER,CARTRIDGE	1			HK2667		
10	36672280000	FILTER,OIL (YAMASHIN)	1					

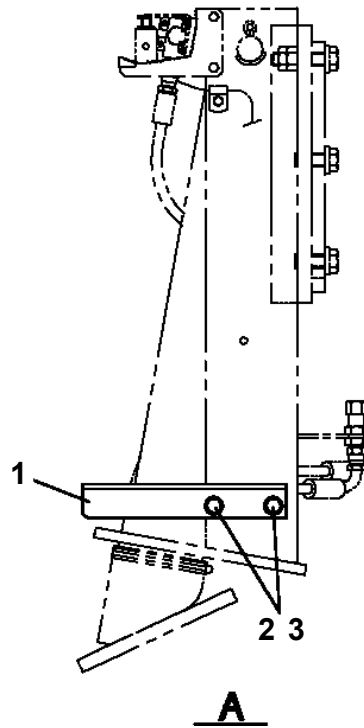
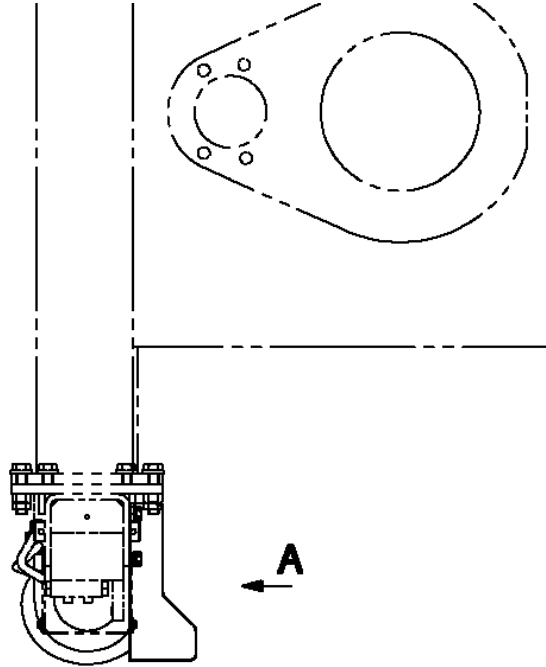
AT-100-4 42063440700 LOWER,ISUZU PB-NKR81AN-E5EXHY-B

Pos No.	Parts No	Parts Name	Qty	Unit	Technical Data	Serial No (Start)	Serial No (End)	Remarks	Page
1	42652695010	CABLE ASSY	1		L=1500				
2	82100001216	CAP	1						
3	37002703390	CABLE ASSY	1		L=270				
4	91810132530	FASTENER	6						
5	82100001802	TUBE,CORRUGATE	2	M	10				
6	90303070801	WASHER,PLAIN	1		8	HK0043			
7	90302040801	WASHER,SPRING	1		8	HK0043			
8	90201200800	NUT	1		M8	HK0043			
9	90303070601	WASHER,PLAIN	2		6	HK0992			

AT-100-4 42063440700 LOWER,ISUZU PB-NKR81AN-E5EXHY-B
PP5500003-00 PUMP,OIL (32CC:L)



AT-100-4 42063440700 LOWER,ISUZU PB-NKR81AN-E5EXHY-B
PX1260232-00 STEP



AT-100-4 42063440700 LOWER,ISUZU PB-NKR81AN-E5EXHY-B

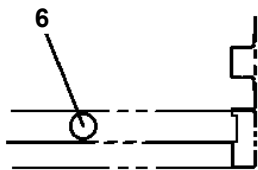
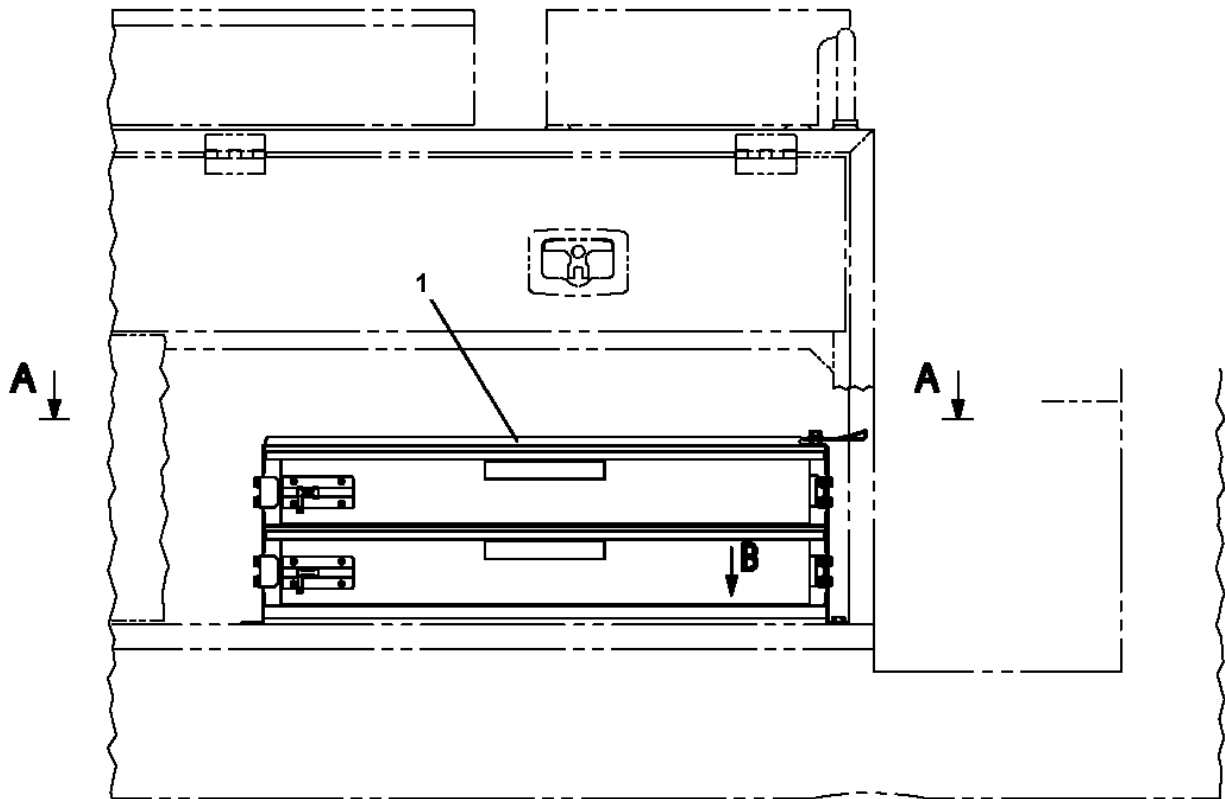
Pos No.	Parts No	Parts Name	Qty	Unit	Technical Data	Serial No (Start)	Serial No (End)	Remarks	Pages
1	90101206016	BOLT	4		M6X16	218752			
2	90302040601	WASHER,SPRING	11		6	218752			
3	42900110101	SUPPORT	1			218752			
4	91850400601	CLAMP	3						
5	91810130230	FASTENER	3						
6	34700161000	LEVEL	1						
7	42900230100	SUPPORT	1						
8	90101208016	BOLT	4		M8X16				
9	90302040801	WASHER,SPRING	6		8				
10	42900230200	SUPPORT	1						
11	91810132530	FASTENER	5						
12	42806830400	HARNESS	1						000039
13	82400000205	GROMMET	1						
14	90201200600	NUT	9		M6				
15	42806830800	HARNESS	1						000040
16	82100002006	CLAMP	1		WR10				
17	90101208025	BOLT	2		M8X25	218752			
18	90201200800	NUT	2		M8				
19	90303070601	WASHER,PLAIN	6		6				
20	42900110200	SUPPORT	1			218752			

AT-100-4 42063440700 LOWER,ISUZU PB-NKR81AN-E5EXHY-B
PX1351047-00 BOX,TOOL (DRAWER/2007)



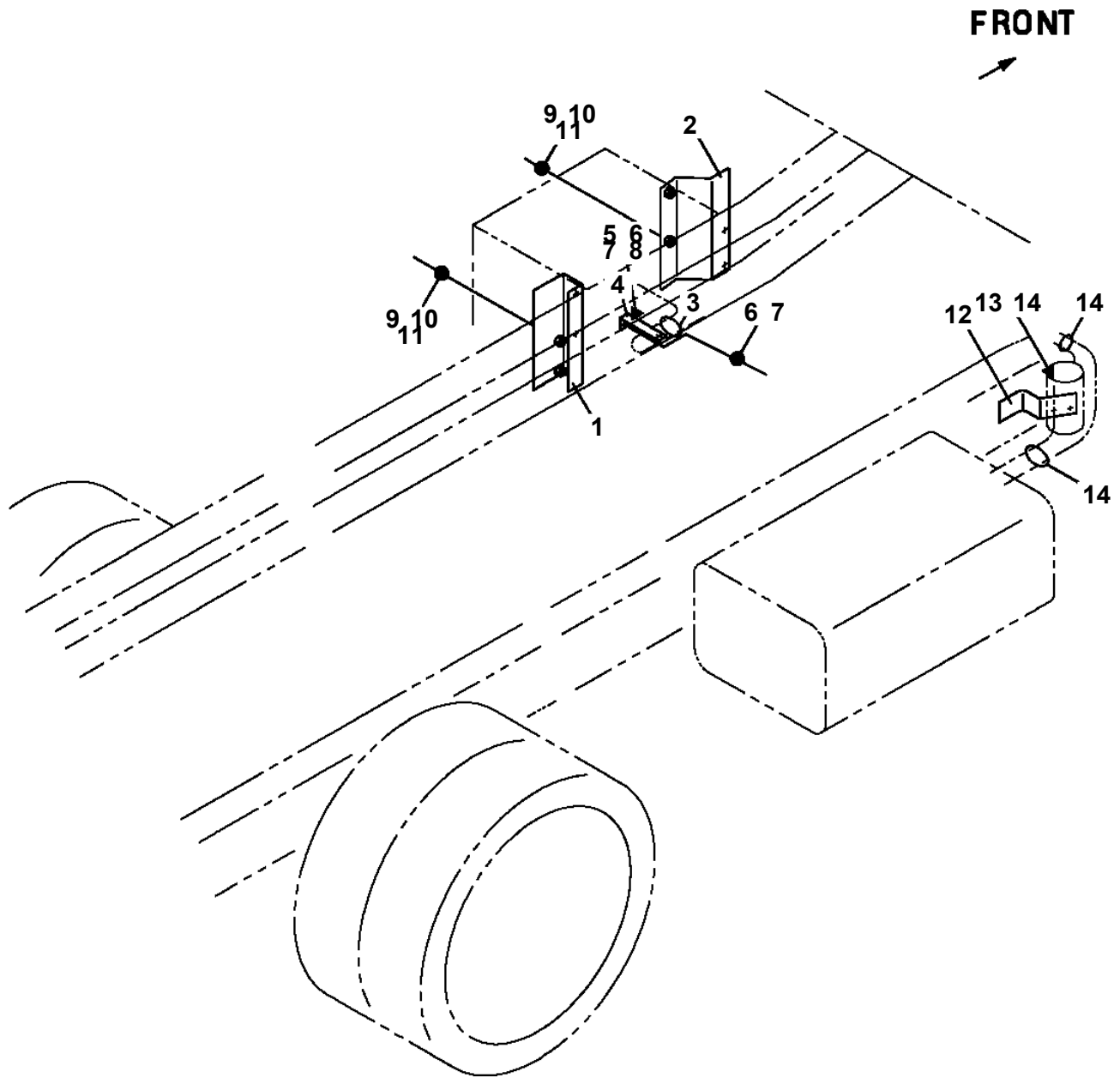
A-A

FRONT ←



B

AT-100-4 42063440700 LOWER,ISUZU PB-NKR81AN-E5EXHY-B
PX1390804-00 MODIFICATION PARTS



CLICK HERE TO **DOWNLOAD** THE COMPLETE MANUAL

- Thank you very much for reading the preview of the manual.
- You can download the complete manual from: www.heydownloads.com by clicking the link below



- Please note: If there is no response to CLICKING the link, please download this PDF first and then click on it.

CLICK HERE TO **DOWNLOAD** THE COMPLETE MANUAL