

AT-100-4 42063435494 UPPER/LOWER,HINO TKG-XZU600X-TYMMC6

PB0000275-02 UPPER STRUCTURE SYSTEM

PB0000500-02 LOWER STRUCTURE SYSTEM

ASSEMBLY

CLICK HERE TO **DOWNLOAD** THE COMPLETE MANUAL

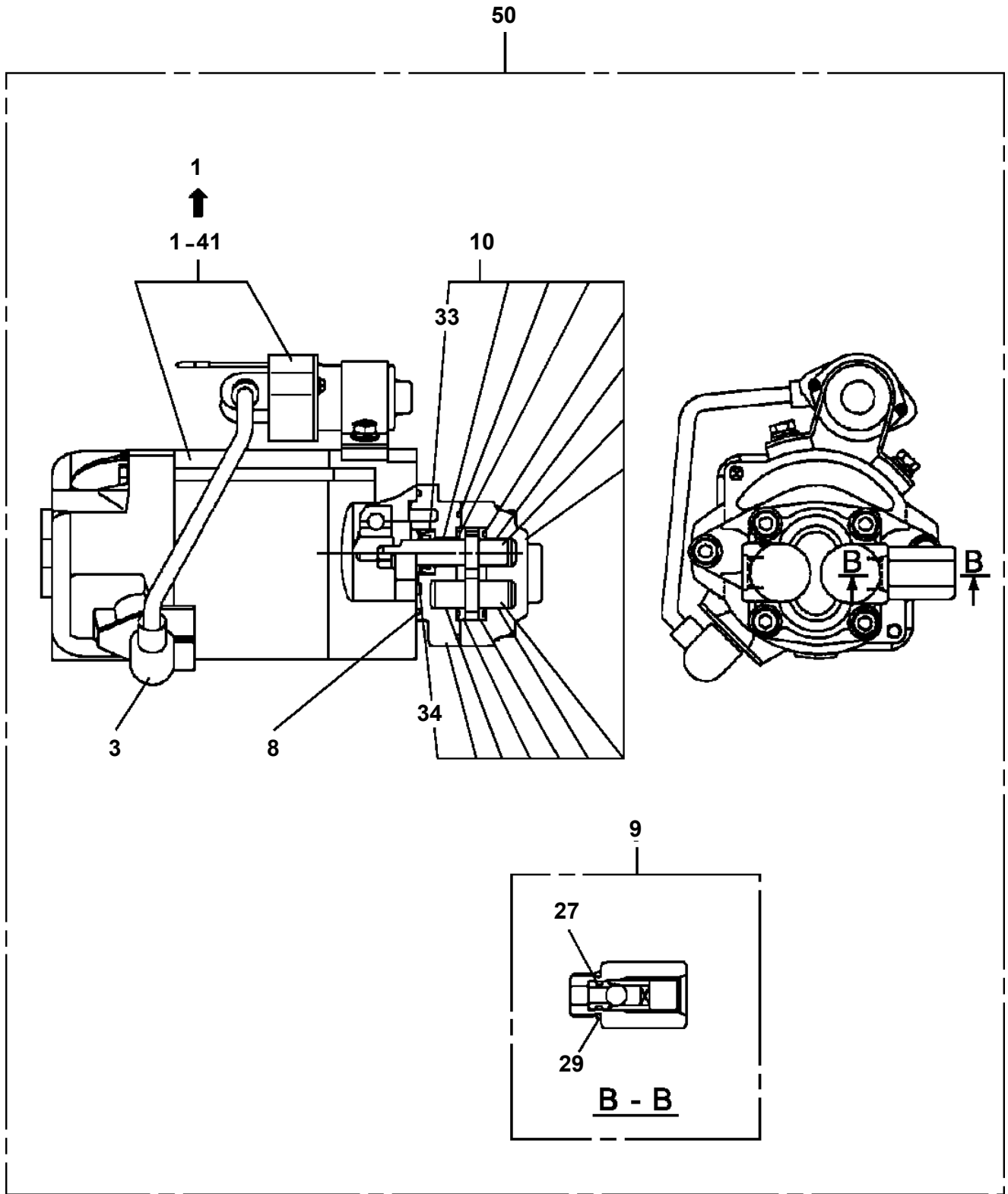
- Thank you very much for reading the preview of the manual.
- You can download the complete manual from: www.heydownloads.com by clicking the link below



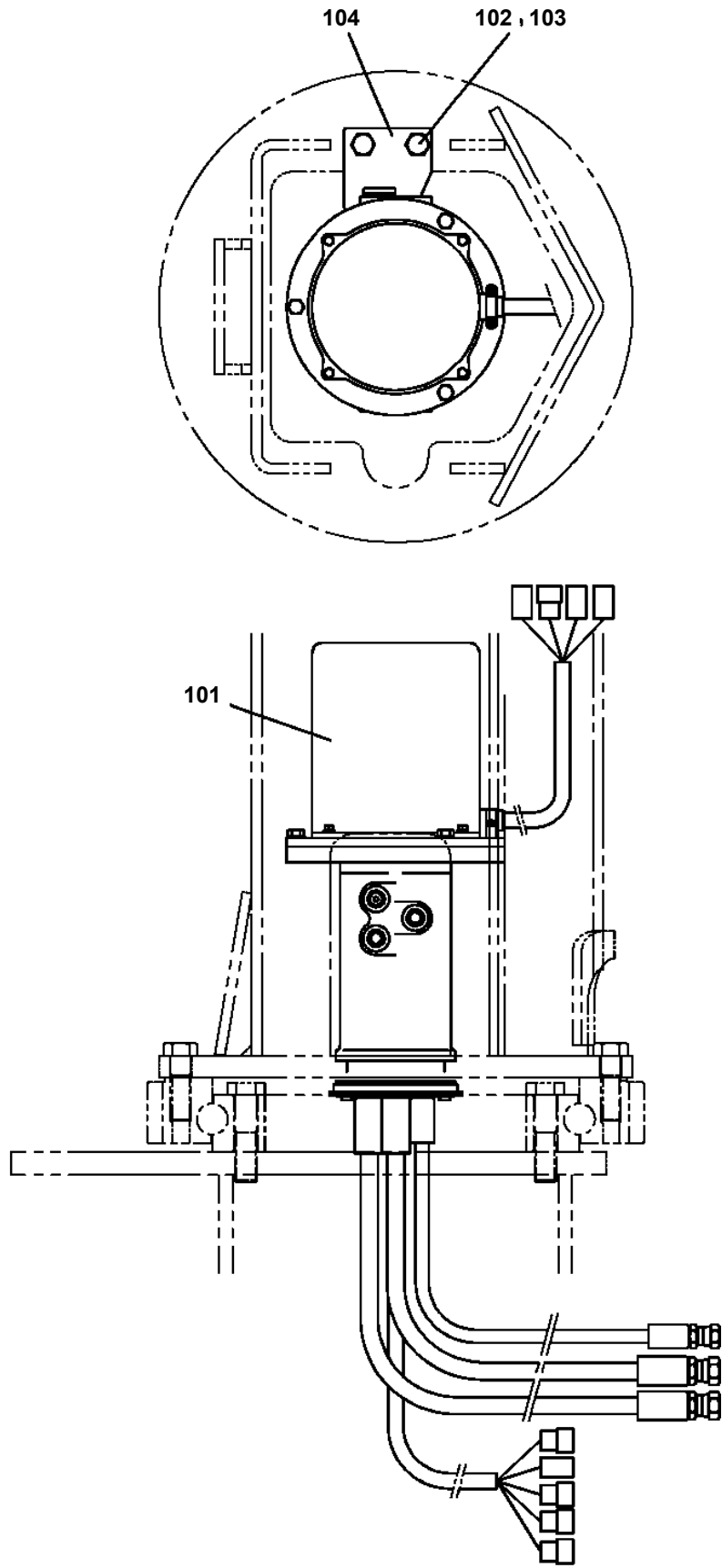
- Please note: If there is no response to CLICKING the link, please download this PDF first and then click on it.

CLICK HERE TO **DOWNLOAD** THE COMPLETE MANUAL

AT-100-4 42063435494 UPPER/LOWER,HINO TKG-XZU600X-TYMMC6
PB1100101-02 PUMP,HYDRAULIC (EMERGENCY)



AT-100-4 42063435494 UPPER/LOWER,HINO TKG-XZU600X-TYMMC6
PB1300483-01 JOINT,ROTARY (MOUNT)



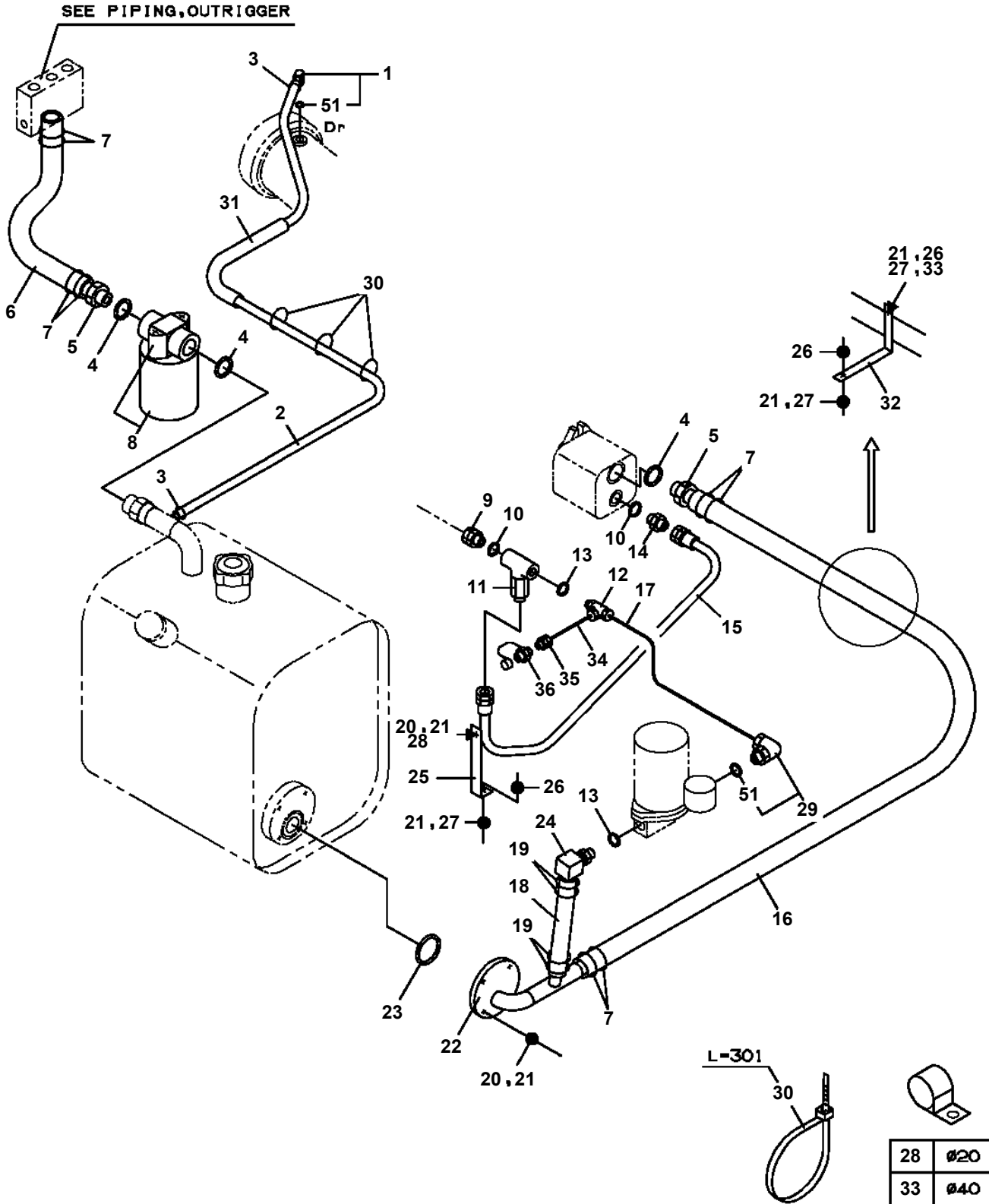
展開図有
ILLUSTRATED BREAKDOWN NO. 101

AT-100-4 42063435494 UPPER/LOWER,HINO TKG-XZU600X-TYMMC6

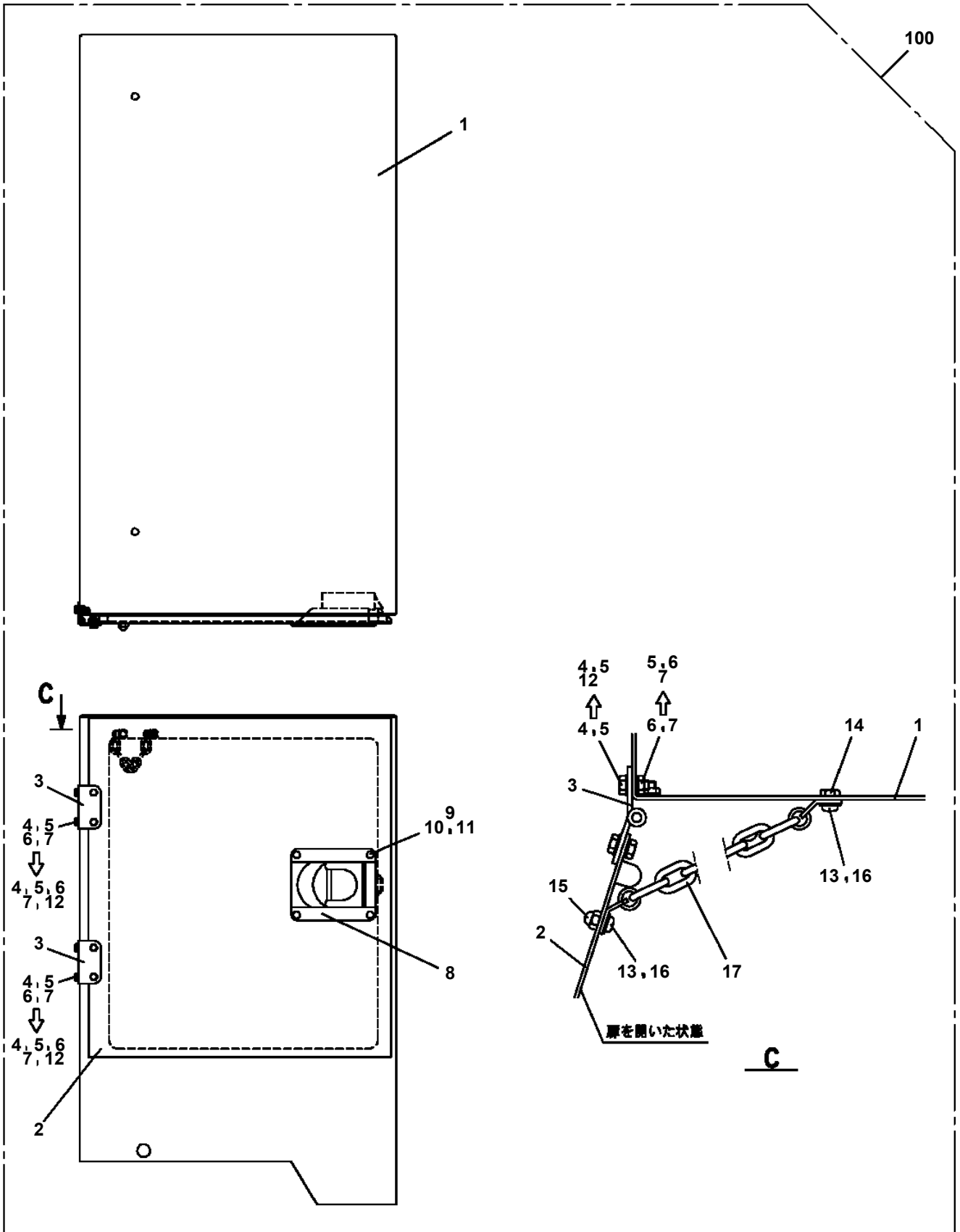
Pos No.	Parts No	Parts Name	Qty	Unit	Technical Data	Serial No (Start)	Serial No (End)
1	(*****)	POWER SUPPLY (100V2POLES & WORKING LAMP)	1				
2	(*****)	POWER SUPPLY (LOWER)	1				

AT-100-4 42063435494 UPPER/LOWER,HINO TKG-XZU600X-TYMMC6
PB1411939-01 PIPING,LOWER

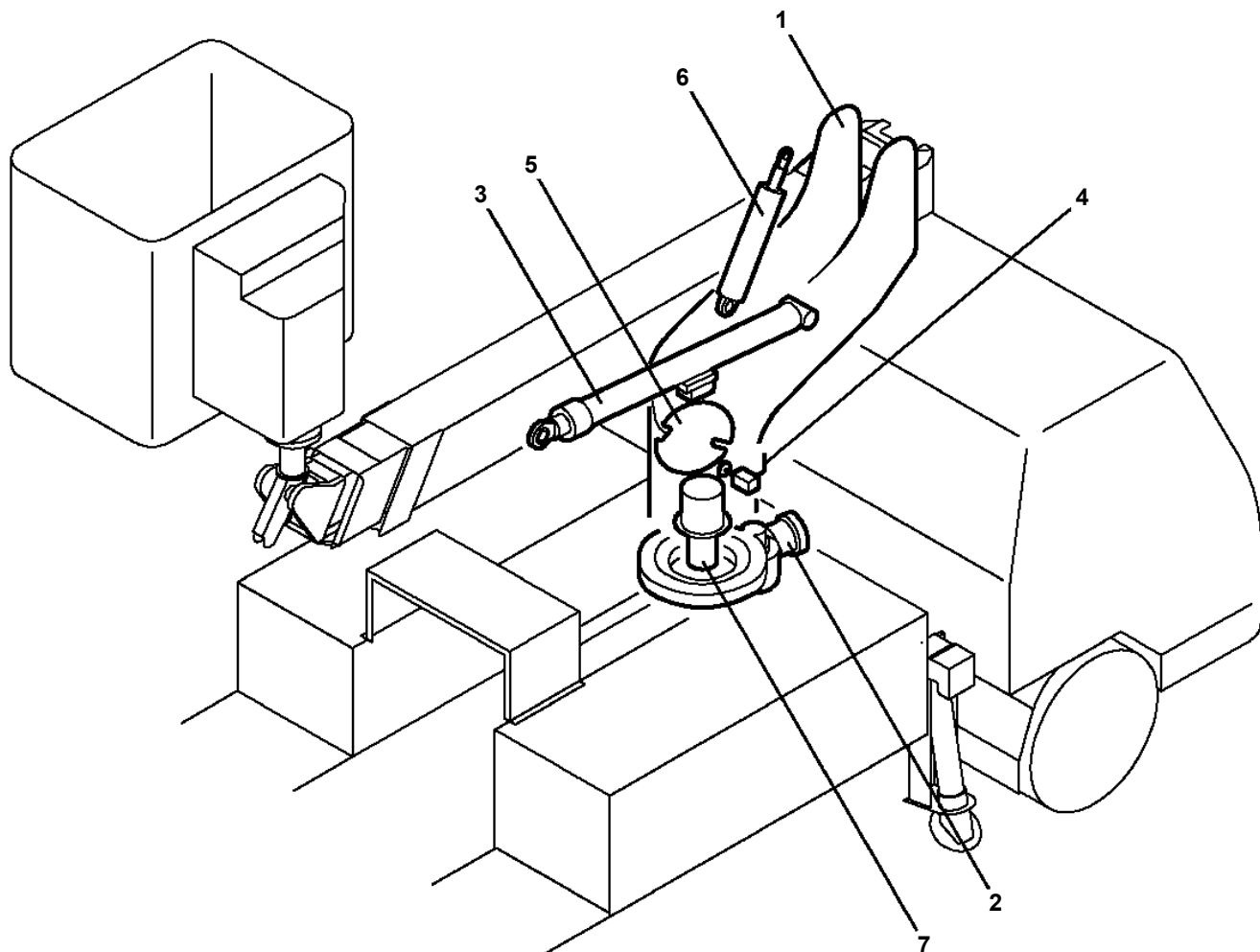
FRONT



AT-100-4 42063435494 UPPER/LOWER,HINO TKG-XZU600X-TYMMC6
 PC5570093-01 COVER ASSY



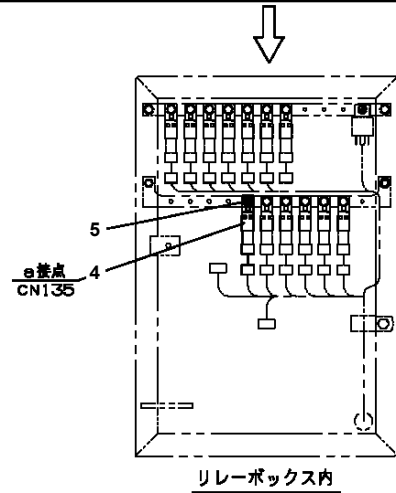
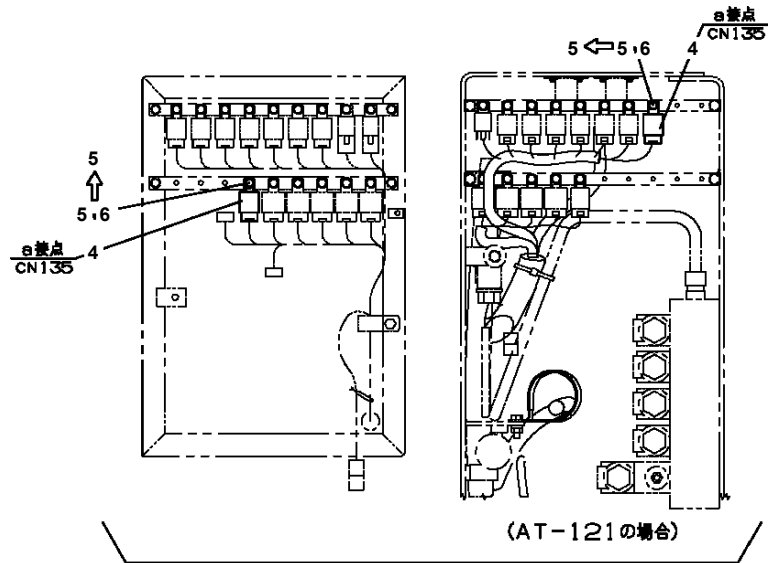
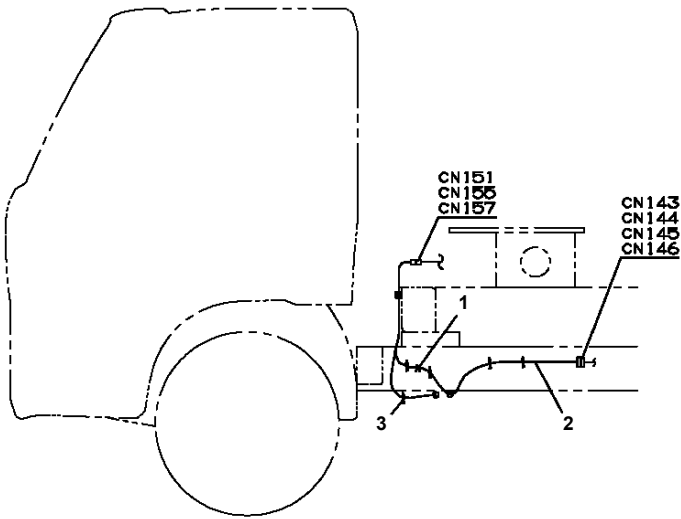
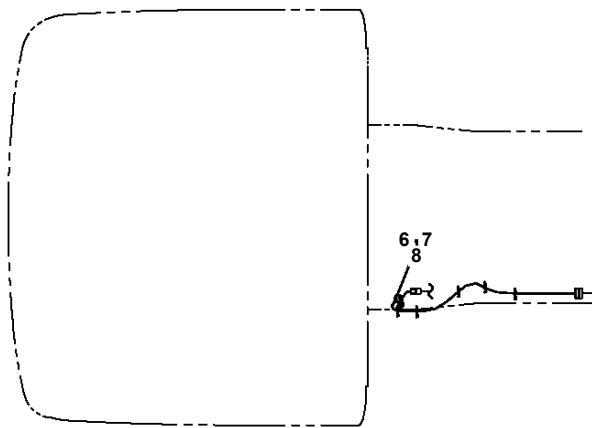
**AT-100-4 42063435494 UPPER/LOWER,HINO TKG-XZU600X-TYMMC6
PD2000195-01 SWING UNIT**



適用製造番号によっては取り付けがないものもあります。

MACHINES OF SOME SERIAL NO. ARE NOT EQUIPPED WITH THESE PARTS.

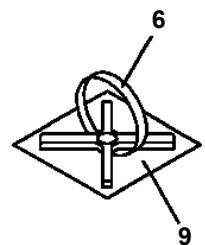
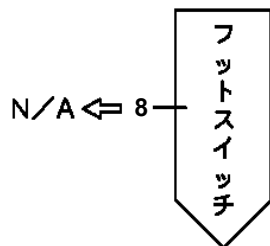
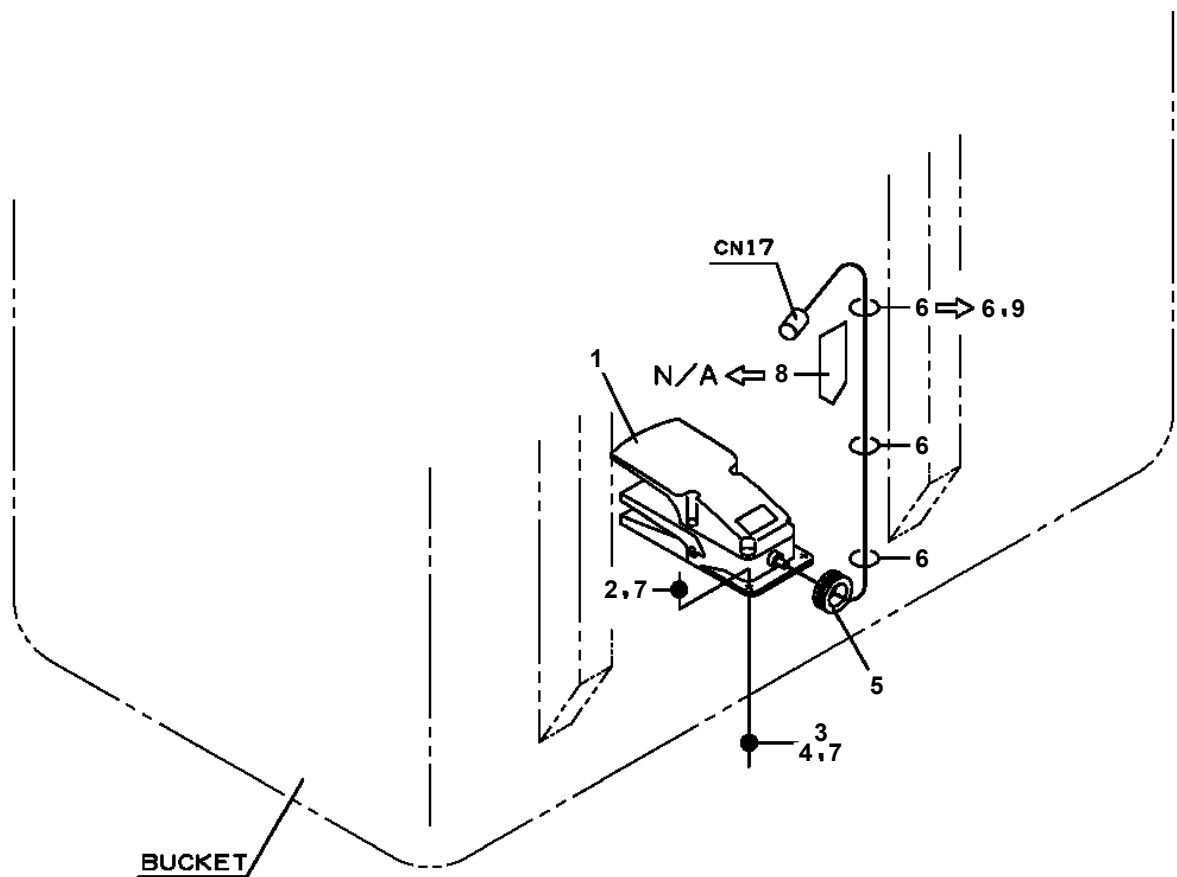
AT-100-4 42063435494 UPPER/LOWER, HINO TKG-XZU600X-TYMMC6
 PE5070034-02 ELEC.ASSY, CARRIER (N SIGNAL INVERSION RELAY)



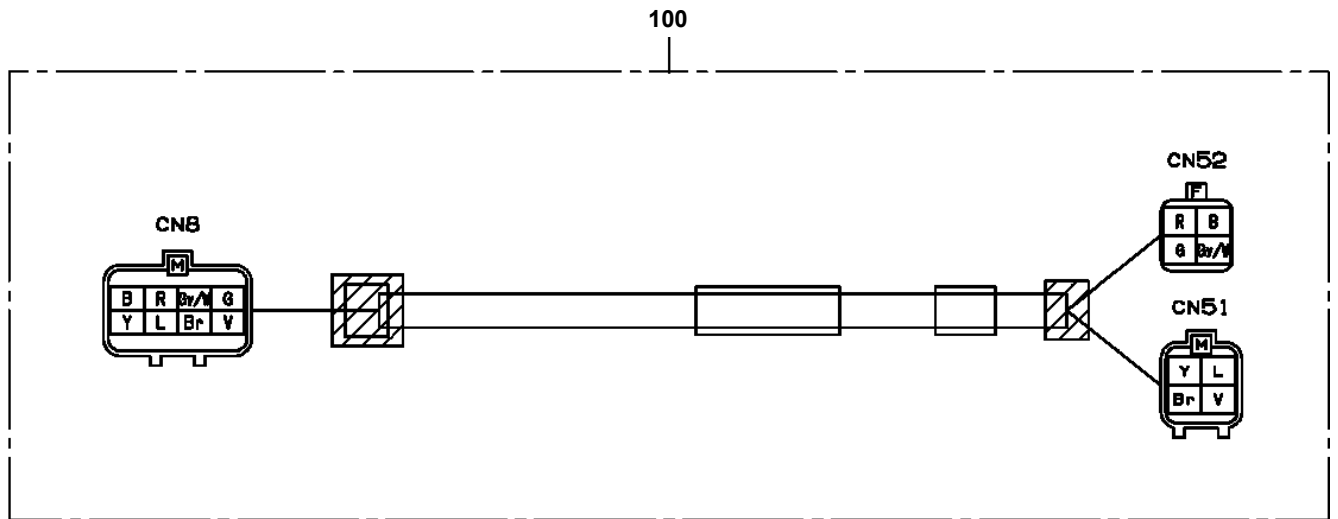
AT-100-4 42063435494 UPPER/LOWER,HINO TKG-XZU600X-TYMMC6

Pos No.	Parts No	Parts Name	Qty	Unit	Technical Data	Serial No (Start)	Serial No (End)	Remark
1	36132340000	DETECTOR,BOOM LENGTH	1					
2	42350071000	ROLLER ASSY	1					
3	42353100600	ROLLER ASSY	1					
4	90303070601	WASHER,PLAIN	1		6			
5	80620210060	PIN,SNAP	1					
6	91810132530	FASTENER	2					
7	90101206012	BOLT	4		M6X12			
8	90302040601	WASHER,SPRING	4		6			
31	42360030040	SUPPORT	1					
32	37001102350	ROLLER	2					
33	37000302060	SPACER	2		L=11.2			
35	90201201000	NUT	2		M10			
36	90302041001	WASHER,SPRING	2		10			
37	90303071001	WASHER,PLAIN	2		10			
41	42351120200	SUPPORT	1					

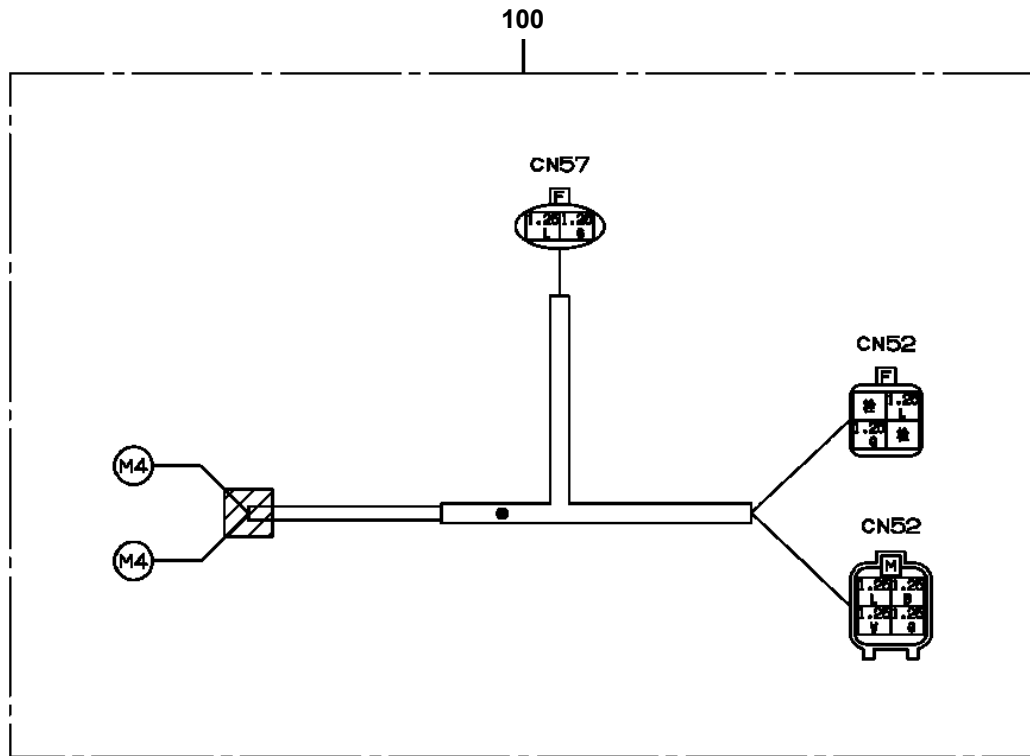
AT-100-4 42063435494 UPPER/LOWER,HINO TKG-XZU600X-TYMMC6
 PH1540041-03 ELEC.ASSY (FOOT SW)



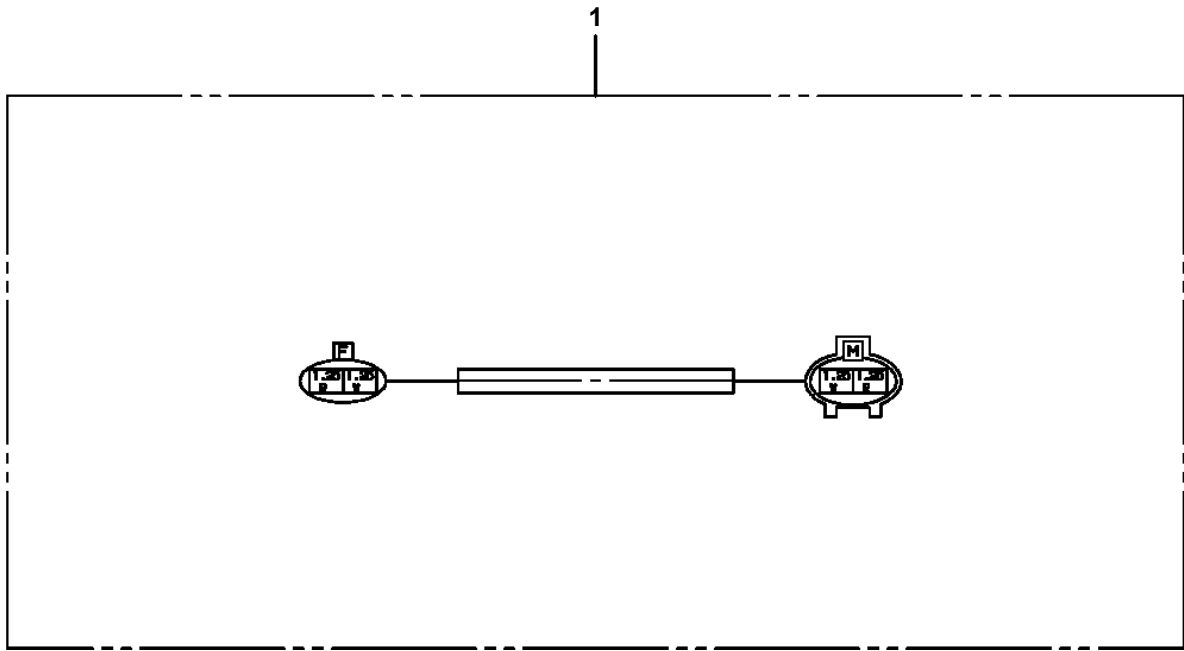
AT-100-4 42063435494 UPPER/LOWER,HINO TKG-XZU600X-TYMMC6
PH5030974-00 HARNESS



AT-100-4 42063435494 UPPER/LOWER,HINO TKG-XZU600X-TYMMC6
PH5031008-00 HARNESS

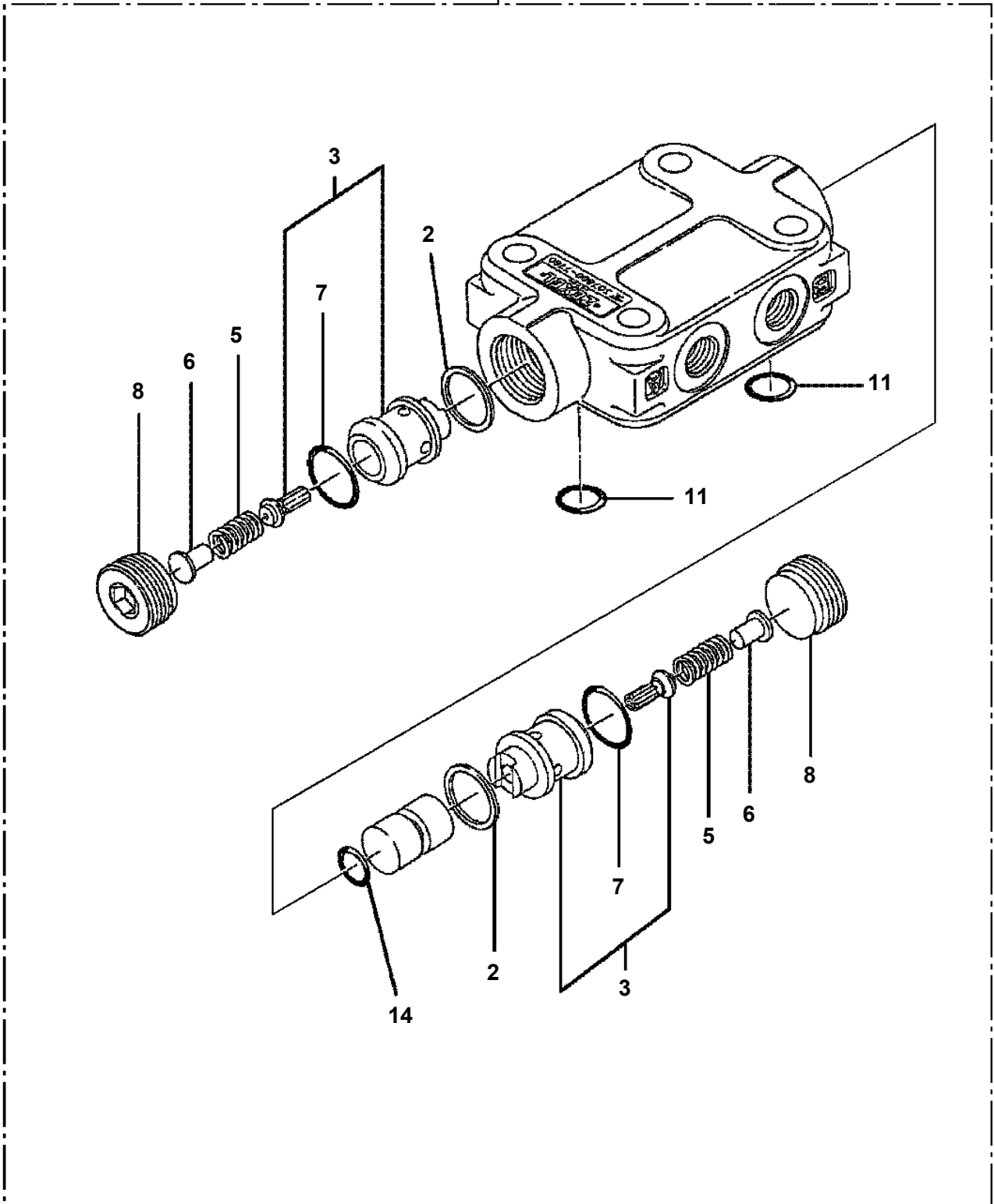


AT-100-4 42063435494 UPPER/LOWER,HINO TKG-XZU600X-TYMMC6
PH5034138-00 HARNESS

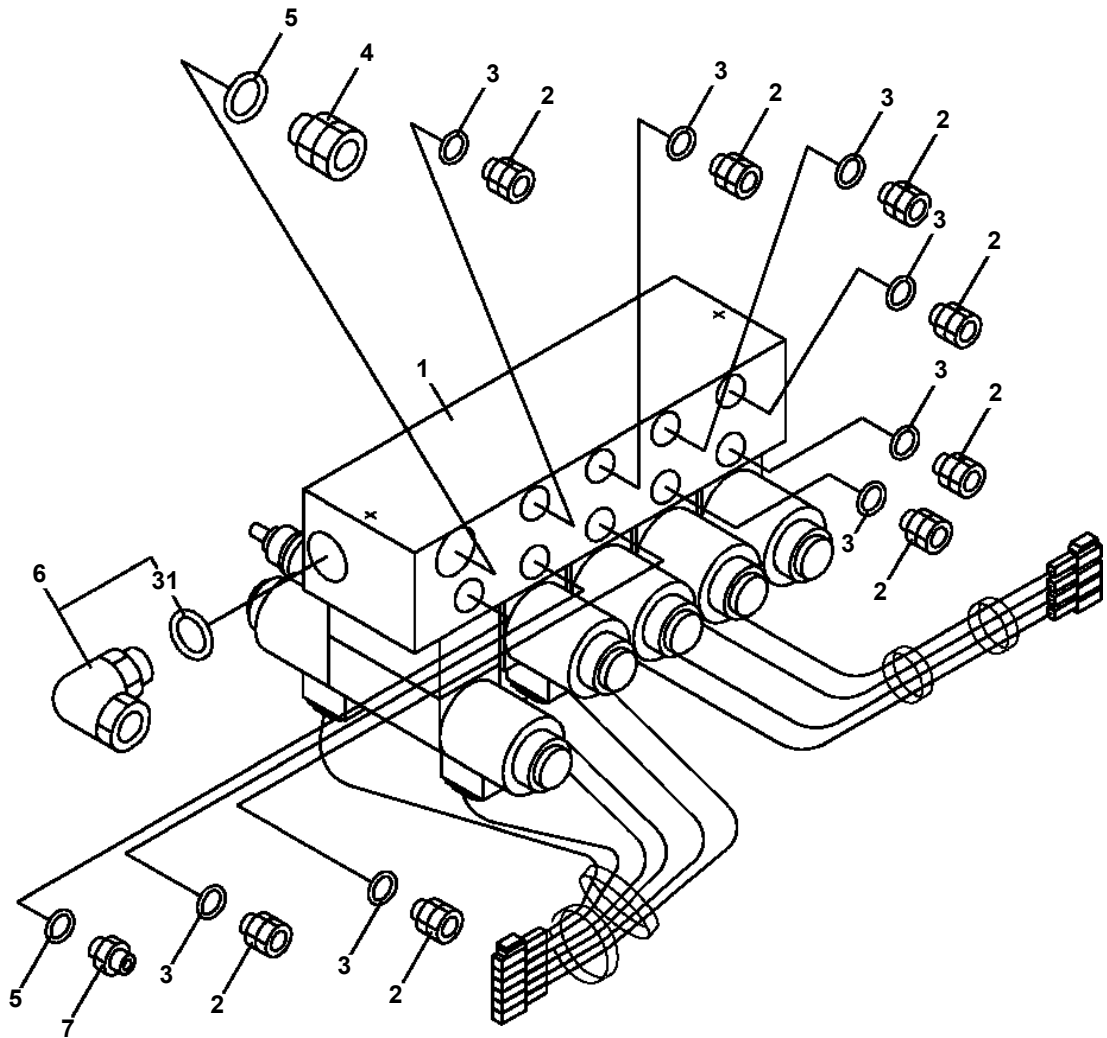


AT-100-4 42063435494 UPPER/LOWER,HINO TKG-XZU600X-TYMMC6
PI1140133-01 VALVE,CHECK

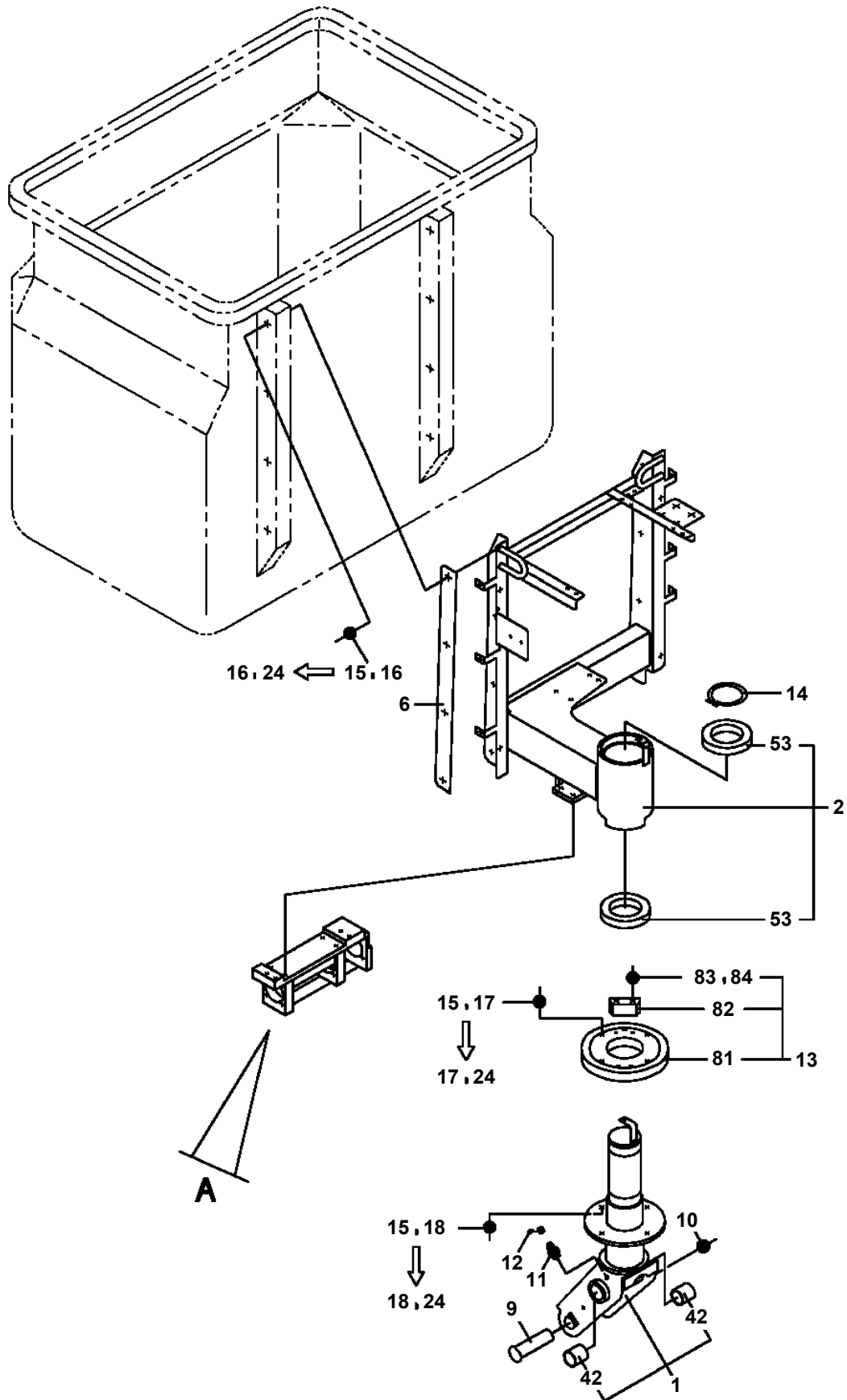
100 → (A)



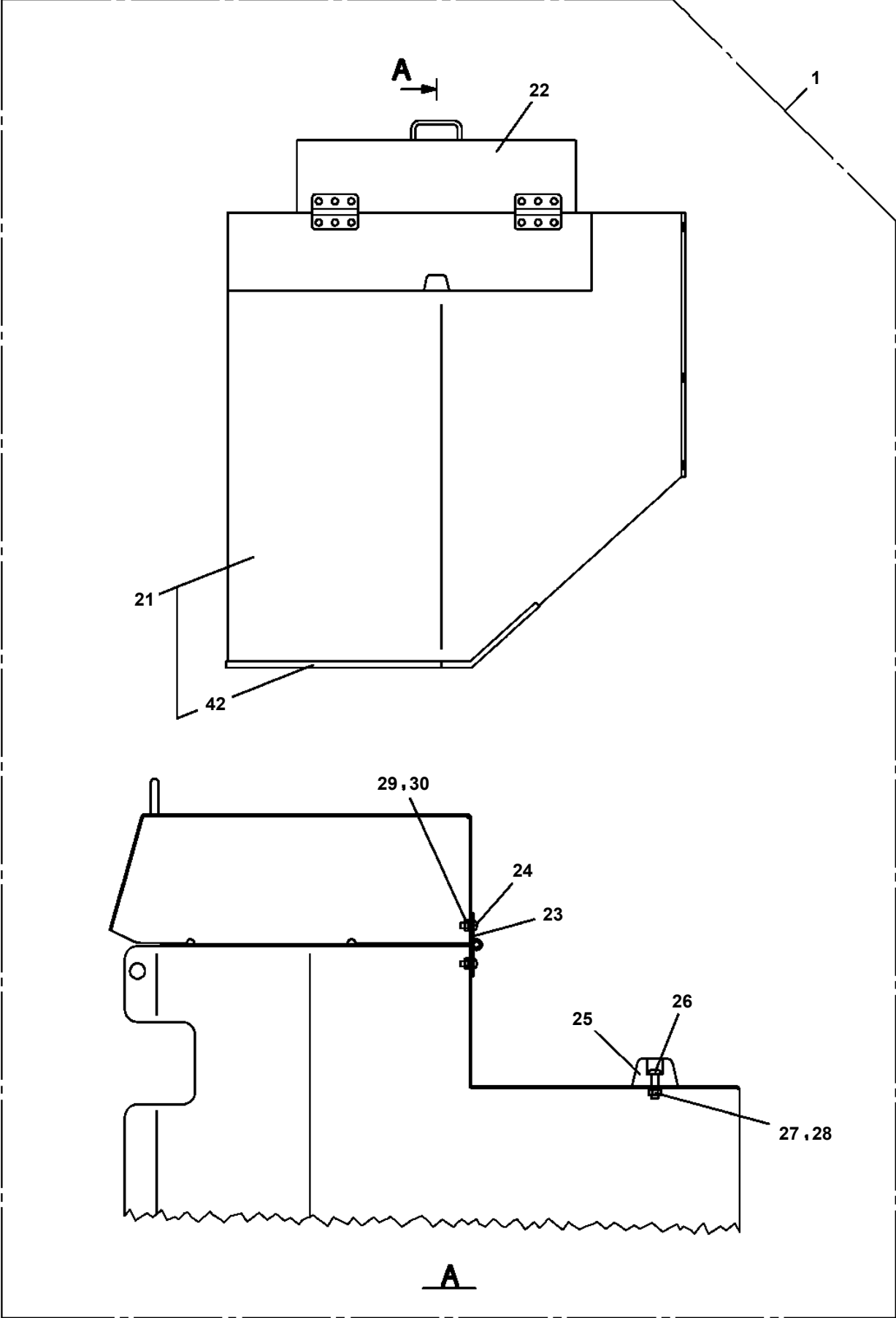
AT-100-4 42063435494 UPPER/LOWER,HINO TKG-XZU600X-TYMMC6
PI1240047-00 VALVE



AT-100-4 42063435494 UPPER/LOWER,HINO TKG-XZU600X-TYMMC6
PK1011060-02 FRAME (BUCKET)



AT-100-4 42063435494 UPPER/LOWER, HINO TKG-XZU600X-TYMMC6
PK1330441-01 COVER (BUCKET OR BASKET)



CLICK HERE TO **DOWNLOAD** THE COMPLETE MANUAL

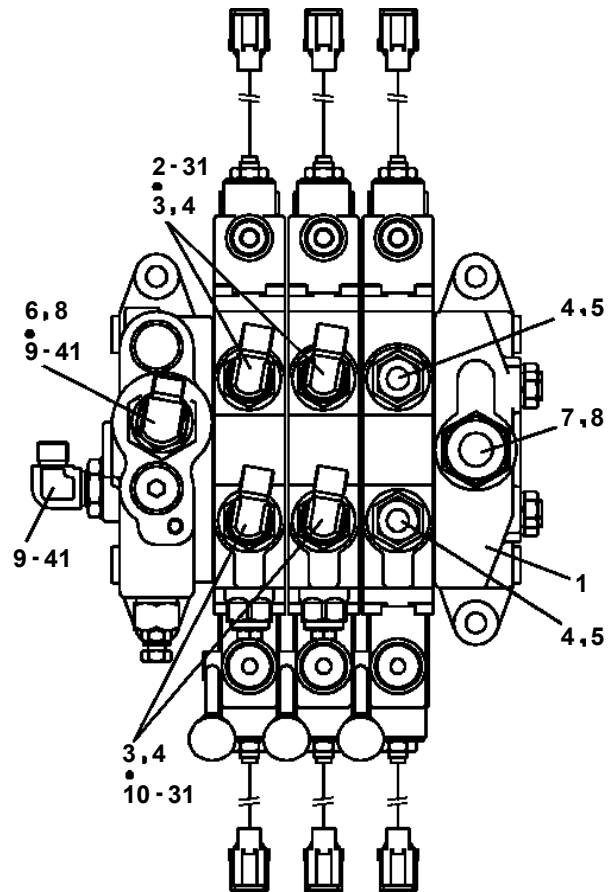
- Thank you very much for reading the preview of the manual.
- You can download the complete manual from: www.heydownloads.com by clicking the link below



- Please note: If there is no response to CLICKING the link, please download this PDF first and then click on it.

CLICK HERE TO **DOWNLOAD** THE COMPLETE MANUAL

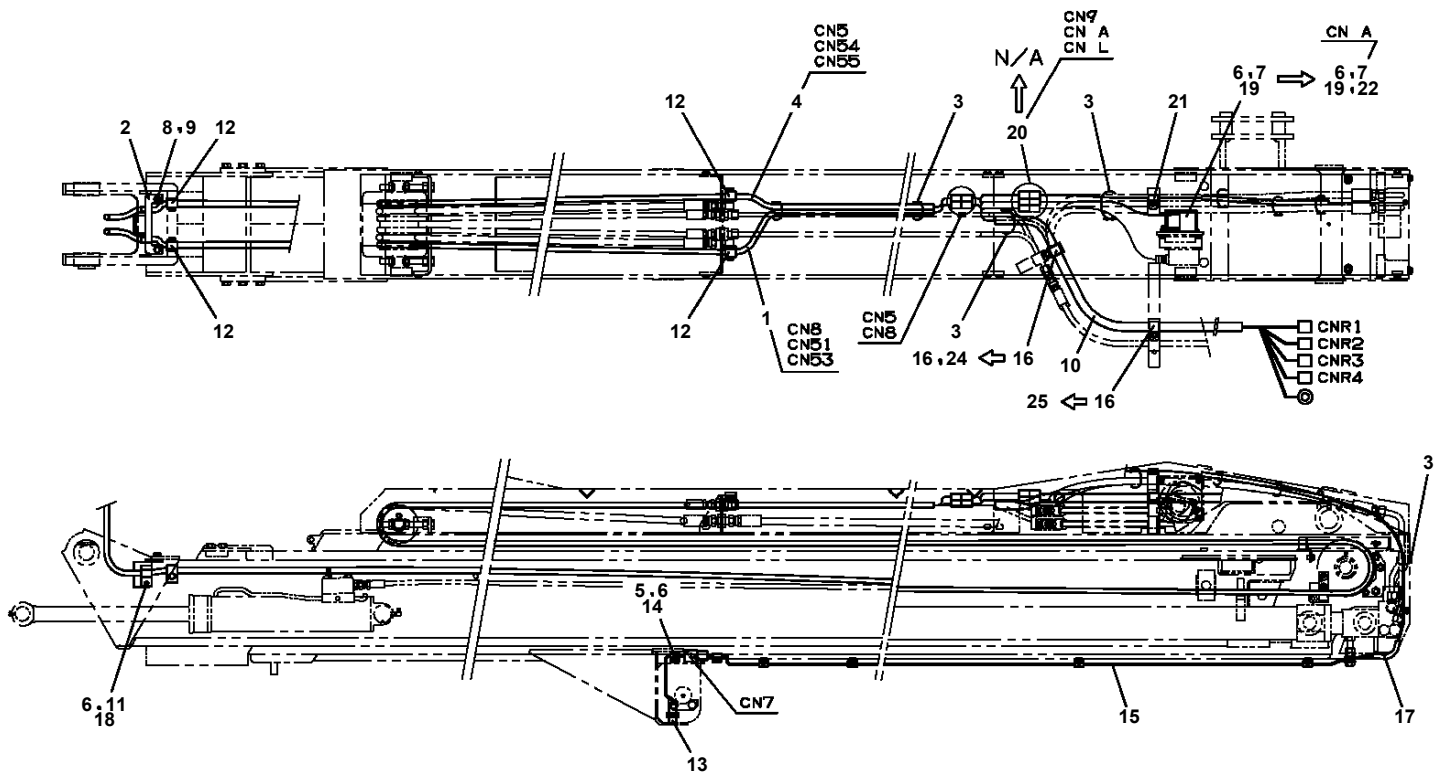
**AT-100-4 42063435494 UPPER/LOWER,HINO TKG-XZU600X-TYMMC6
PL1250052-00 VALVE,CONTROL**



AT-100-4 42063435494 UPPER/LOWER,HINO TKG-XZU600X-TYMMC6

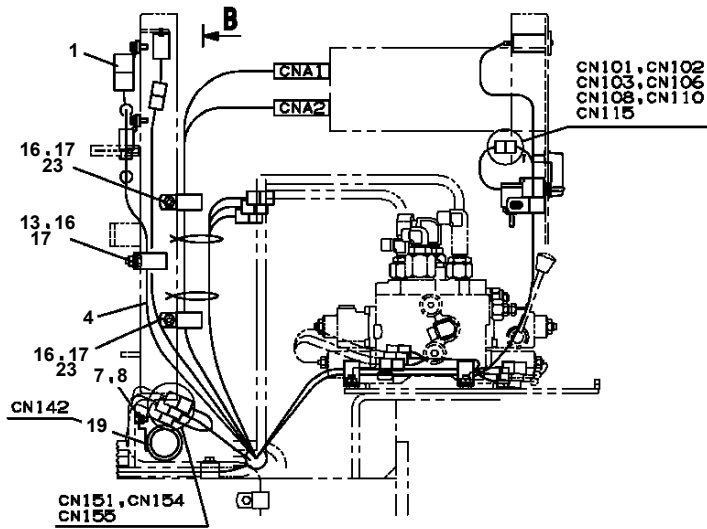
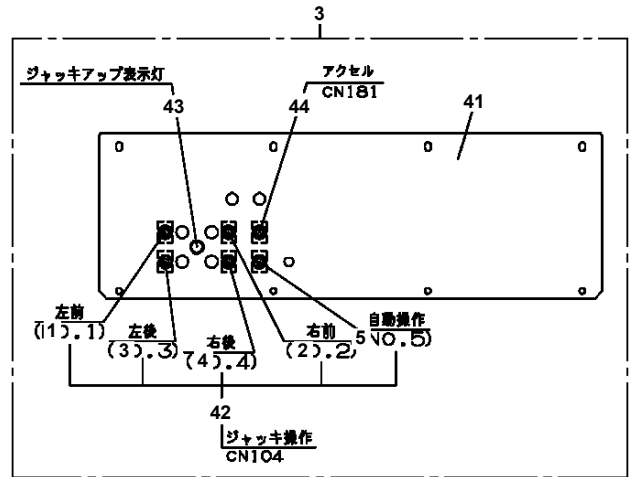
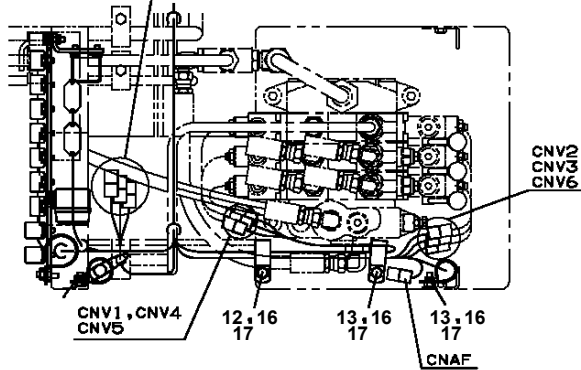
Pos No.	Parts No	Parts Name	Qty	Unit	Technical Data	Serial No (Start)	Serial No (End)	Remarks	Page
1	42785390100	SUPPORT	1						
2	42785390200	SUPPORT	1						
3	90171110030	BOLT	6		M10X30				
4	90302041001	WASHER,SPRING	6		10				
5	90201781000	NUT	6		M10				
6	91810130240	FASTENER	3						
7	42786830100	CABLE	1		L=280				
8	82100001802	TUBE,CORRUGATE	1	M	10				
9	90201200800	NUT	6		M8				
10	82100002016	CLAMP	1		WR25				
11	90303070801	WASHER,PLAIN	4		8				
12	90101208020	BOLT	5		M8X20				
13	42786750100	SUPPORT	2						
14	37000600120	CLAMP	1		WR45				
15	82420506412	TRIM	1	M					
16	90302040801	WASHER,SPRING	6		8				
17	82115220140	SLEEVE	1						
18	89850208100	TUBE,HEAT	1	M					

**AT-100-4 42063435494 UPPER/LOWER,HINO TKG-XZU600X-TYMMC6
PN1014545-02 ELEC.ASSY (BOOM/ANGLE)**

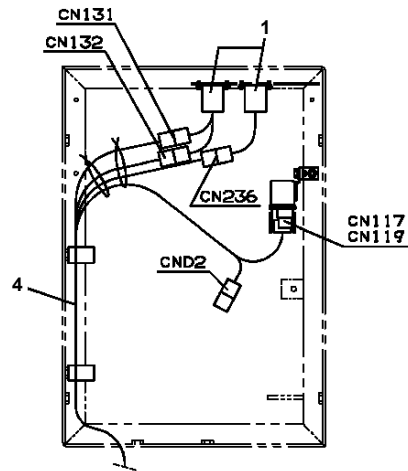


AT-100-4 42063435494 UPPER/LOWER, HINO TKG-XZU600X-TYMMC6
 PN1014967-01 ELEC.ASSY (FRAME)

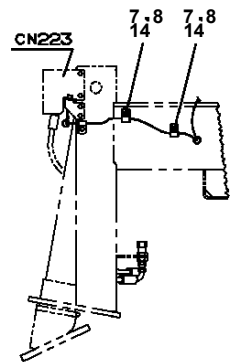
CN0, CN118, CN141
 CN159, CN175, CN176
 CN177, CN235, CND4



A

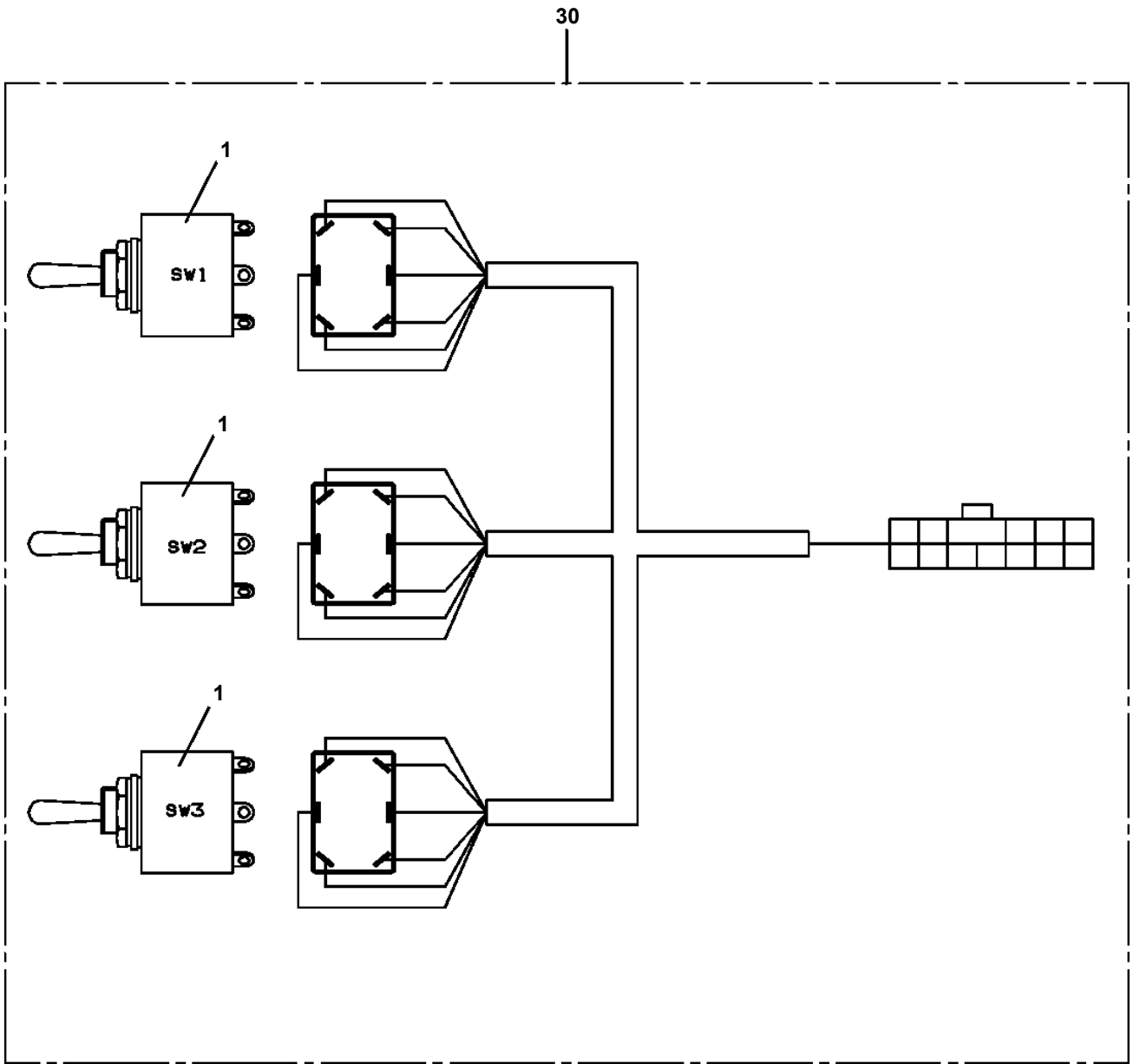


B

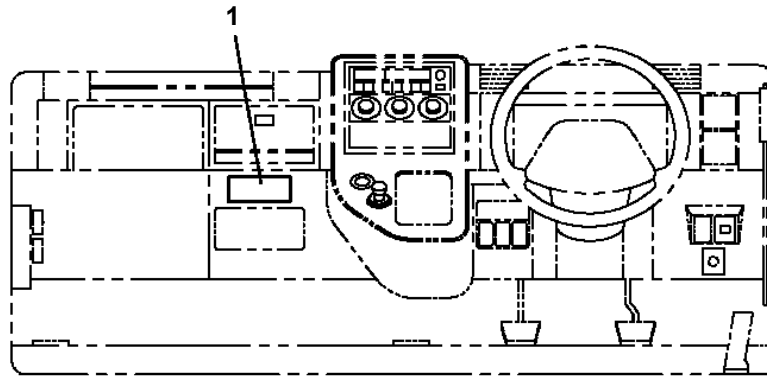


C

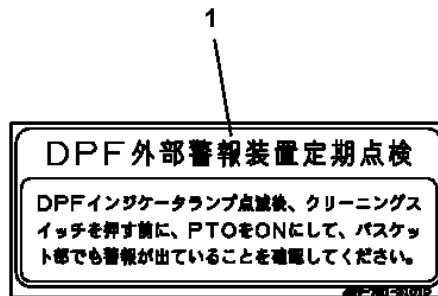
**AT-100-4 42063435494 UPPER/LOWER,HINO TKG-XZU600X-TYMMC6
PN1140153-00 SWITCH ASSY (WITH HARNESS,3 SWITCH)**



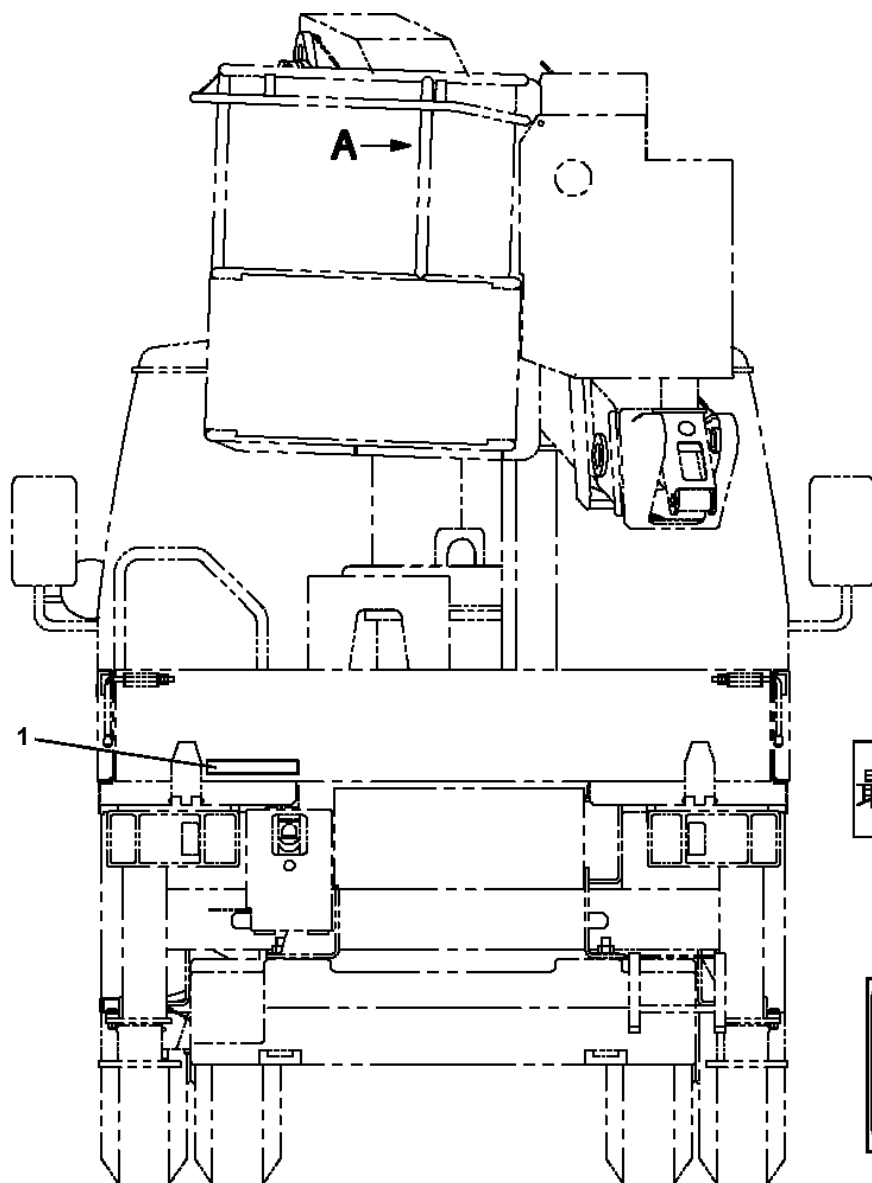
AT-100-4 42063435494 UPPER/LOWER,HINO TKG-XZU600X-TYMMC6
PN5010074-00 NAME PLATE ASSY



三菱標準キャブ内

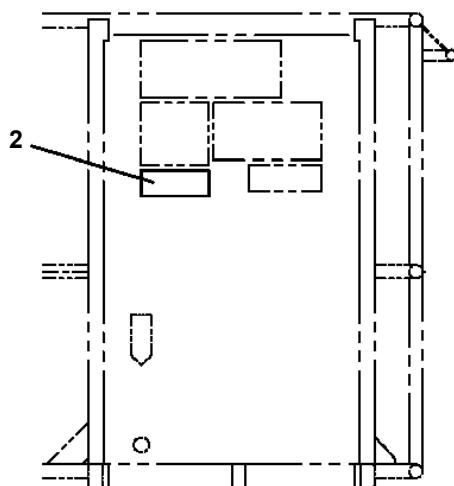


AT-100-4 42063435494 UPPER/LOWER,HINO TKG-XZU600X-TYMMC6
 PO1014687-01 PLATE ASSY,NAME

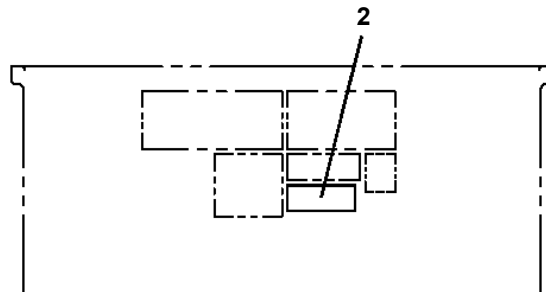


1
 最大積載量 500Kg

2
注 意
 フーム、バケットと荷合は干渉防止機能がありません。
 フーム、バケットと荷合が接触すると破損しますので
 操作に注意してください。



鉄バケットの場合



FRPバケットの場合

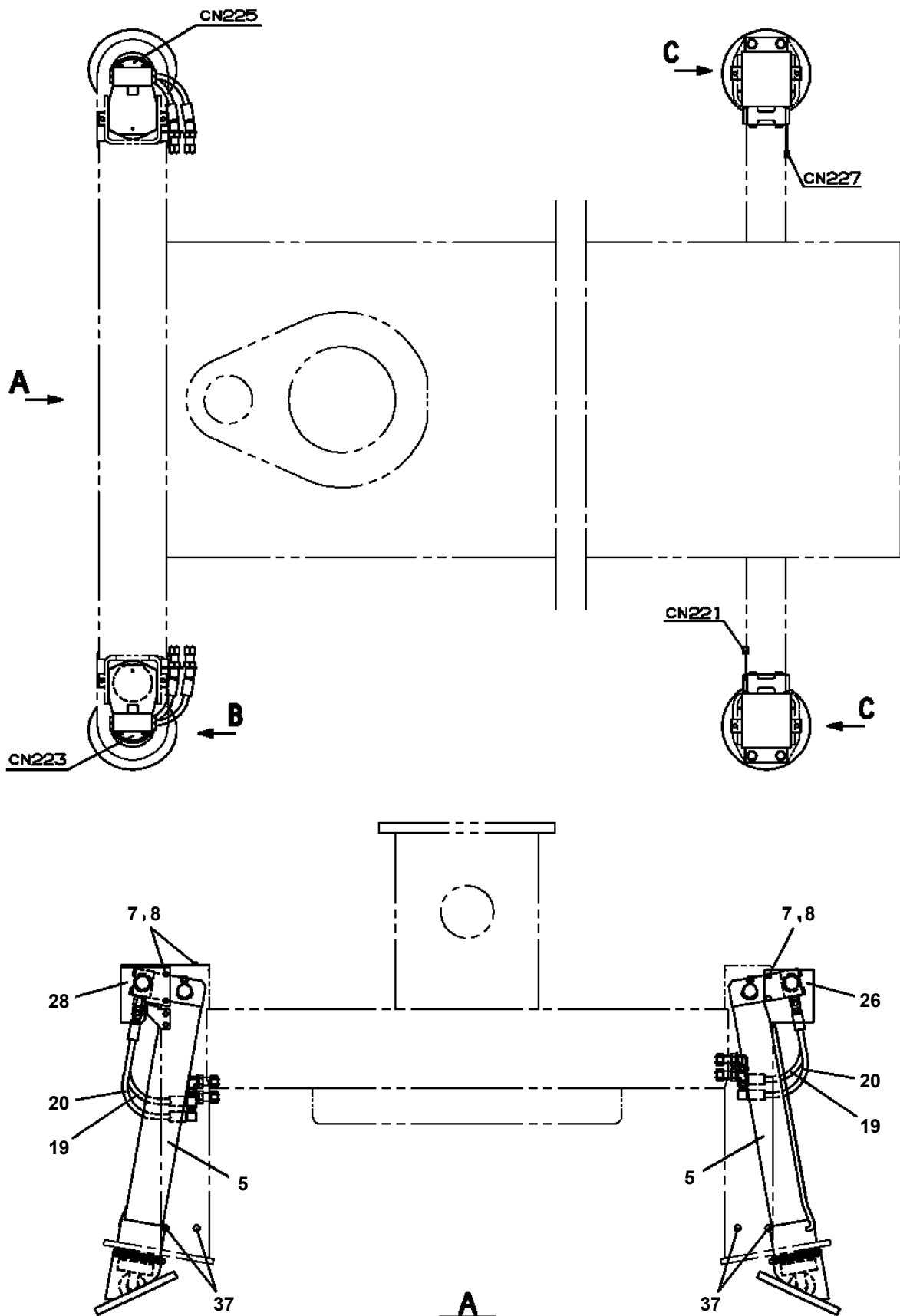
A

AT-100-4 42063435494 UPPER/LOWER,HINO TKG-XZU600X-TYMMC6

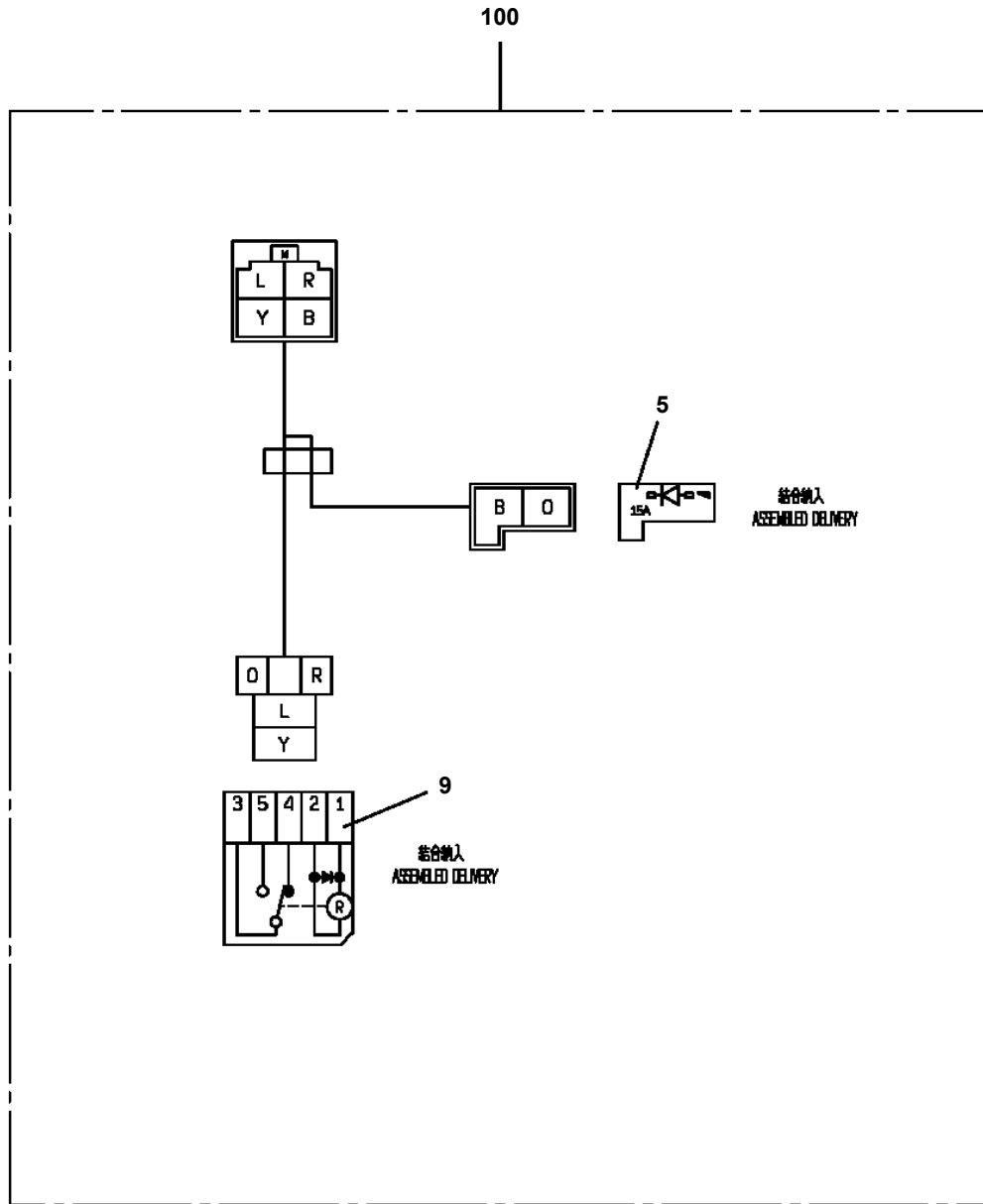
Pos No.	Parts No	Parts Name	Qty	Unit	Technical Data	Serial No (Start)	Serial No (End)	Remarks	Pages
1	42394191150	PLATE,NAME	2						

AT-100-4 42063435494 UPPER/LOWER,HINO TKG-XZU600X-TYMMC6
PO5270050-00 OUTRIGGER ASSY

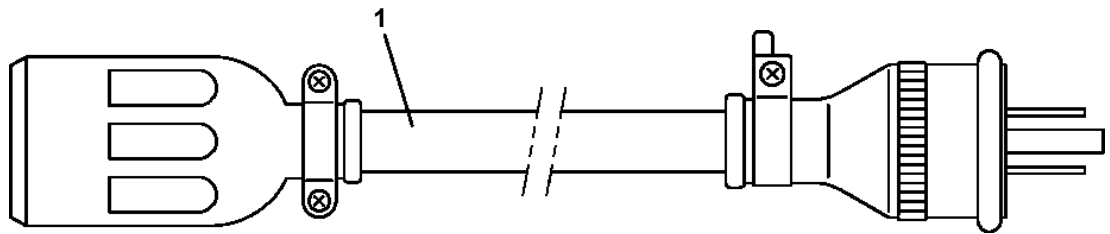
FRONT ←



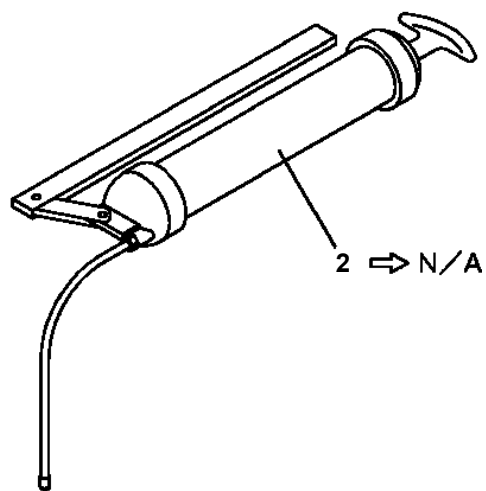
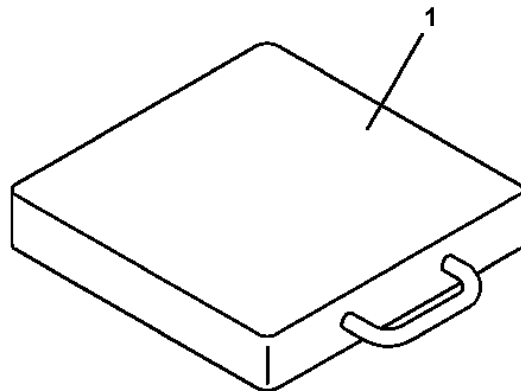
AT-100-4 42063435494 UPPER/LOWER, HINO TKG-XZU600X-TYMMC6
PR5210001-00 RELAY (WITH HARNESS)



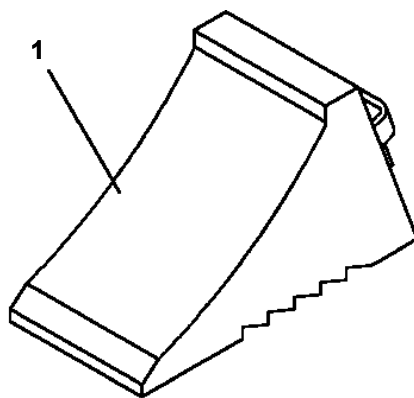
**AT-100-4 42063435494 UPPER/LOWER,HINO TKG-XZU600X-TYMMC6
PV1300020-00 CABLE (3 POLE)**



**AT-100-4 42063435494 UPPER/LOWER,HINO TKG-XZU600X-TYMMC6
PW1010204-01 ACCESSORIES**

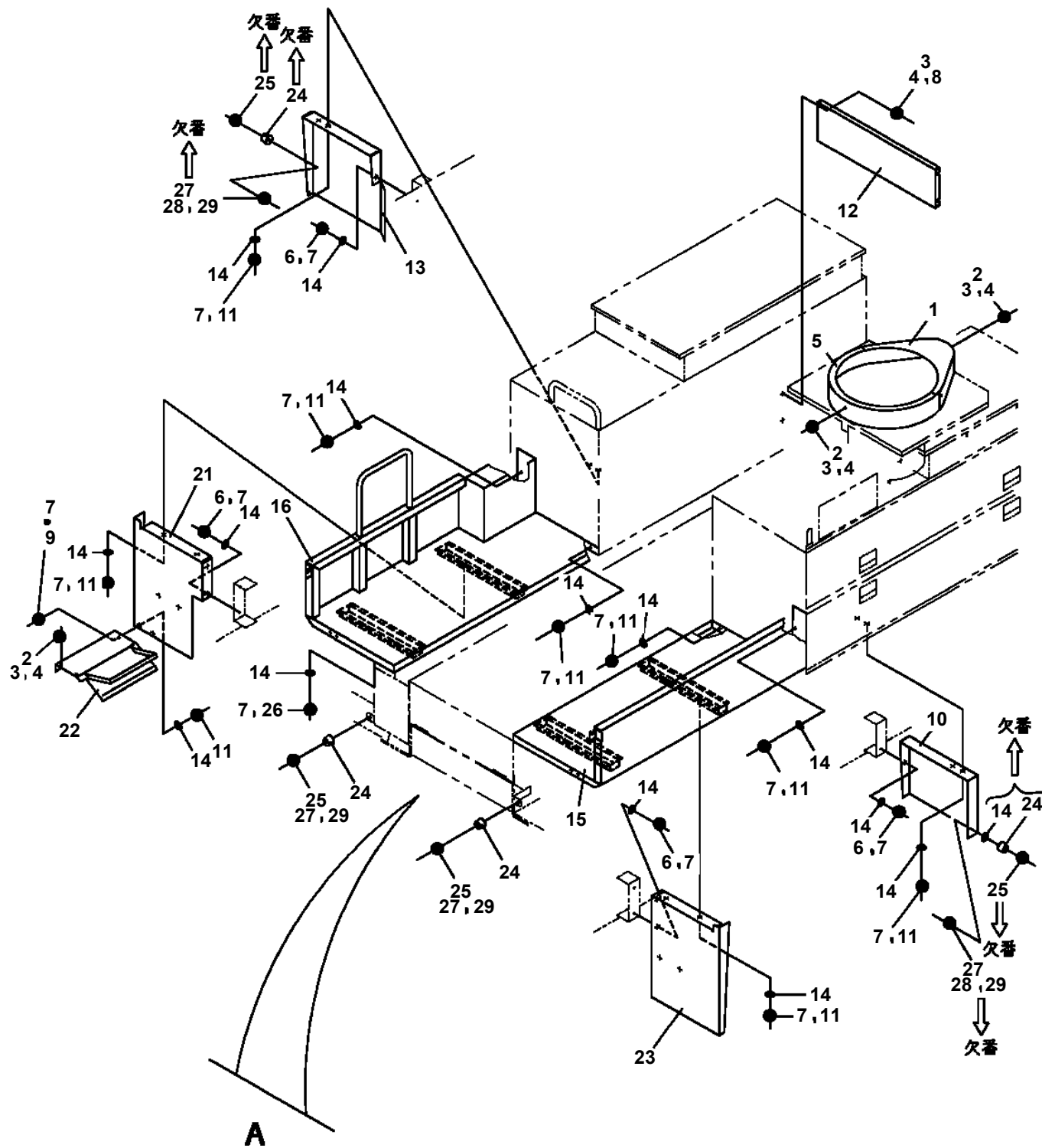


**AT-100-4 42063435494 UPPER/LOWER,HINO TKG-XZU600X-TYMMC6
PW5110003-00 WEDGE (STOPPER FOR TIRE/NAKAMURA KIKI)**



AT-100-4 42063435494 UPPER/LOWER,HINO TKG-XZU600X-TYMMC6
 PX1210103-01 GUARD

FRONT



AT-100-4 42063435494 UPPER/LOWER,HINO TKG-XZU600X-TYMMC6

Pos No.	Parts No	Parts Name	Qty	Unit	Technical Data	Serial No (Start)	Serial No (End)	Remarks	Pages
2	42835727510	DOOR	1						
3	42835727520	SEAT	1						
4	42835357540	PLATE	3						
5	42835067520	WEATHER STRIP	1		L=3930				
6	42835357590	CATCH	2						
7	82464110007	HINGE	3						
8	42835257960	SCREW,MACHINE	18		M4X10				
9	42835797550	SEAL	1						
10	42833077610	BUSH	9						
100	42835721000	BOX,TOOL	1						

AT-100-4 42063435494 UPPER/LOWER,HINO TKG-XZU600X-TYMMC6

Pos No.	Parts No	Parts Name	Qty	Unit	Technical Data	Serial No (Start)	Serial No (End)	Remarks	Pages
1	37001601660	NUT	2		M14/B=41				
2	37000513890	PLATE	2		T=3.2				

AT-100-4 42063435494 UPPER/LOWER,HINO TKG-XZU600X-TYMMC6

Pos No.	Parts No	Parts Name	Qty	Unit	Technical Data	Serial No (Start)	S
2	(*****)	MODIFICATION ASSY	1				
3	(*****)	OPE.ASSY,P.T.O. (COUPLING)	1				
4	(*****)	MOUNT ASSY,TAIL LAMP	1				
5	(*****)	MOUNT ASSY,FRAME	1				
6	(*****)	MOUNT,TIRE	1				
7	(*****)	ELEC.ASSY,CARRIER (N SIGNAL INVERSION RELAY)	1				
8	(*****)	ELEC.ASSY (BATTERY & EMERGENCY PUMP)	1				
9	(*****)	OPE.ASSY,ACCELERATOR	1				
10	(*****)	PIPING,LOWER	1				

AT-100-4 42063435494 UPPER/LOWER,HINO TKG-XZU600X-TYMMC6

Pos No.	Parts No	Parts Name	Qty	Unit	Technical Data	Serial No (Start)	Seri
1	(*****)	POWER SUPPLY (100V 2POLES/UPPER)	1				
2	(*****)	POWER SUPPLY (100V2POLES & WORKING LAMP)	1				
3	(*****)	OUTRIGGER (FLOAT)	1				
4	(*****)	LAMP (WORKING/UPPER)	1				
5	(*****)	TOUCH SWITCH (FOR NIKKEN)	1				
6	(*****)	PLATE ASSY,NAME	1				

CLICK HERE TO **DOWNLOAD** THE COMPLETE MANUAL

- Thank you very much for reading the preview of the manual.
- You can download the complete manual from: www.heydownloads.com by clicking the link below



- Please note: If there is no response to CLICKING the link, please download this PDF first and then click on it.

CLICK HERE TO **DOWNLOAD** THE COMPLETE MANUAL