

AT-100-4 42063430600 LOWER,HINO PB-XZU301X-TYMMS6

PB3000161-00 POWER UNIT

PO1000183-00 INDICATION PLATES (LOWER)

PX2000713-01 CARRIER UNIT

PX3000312-01 MOUNTING UNIT

PY1000952-07 OPTIONS

ASSEMBLY

CLICK HERE TO **DOWNLOAD** THE COMPLETE MANUAL

- Thank you very much for reading the preview of the manual.
- You can download the complete manual from: www.heydownloads.com by clicking the link below



- Please note: If there is no response to CLICKING the link, please download this PDF first and then click on it.

CLICK HERE TO **DOWNLOAD** THE COMPLETE MANUAL

AT-100-4 42063430600 LOWER,HINO PB-XZU301X-TYMMS6

Pos No.	Parts No	Parts Name	Qty	Unit	Technical Data	Serial No (S
1	(*****)	BOX,TOOL (SLIDE TYPE)	1			
2	(*****)	BOX,TOOL (OPTION)	1			
	(*****)	BOX,TOOL (DRAWER/2007)	1			218752
	(*****)	BOX,TOOL (DRAWER FOR RIGHT TOOL BOX:2007,2010)	1			218752
	(*****)	BOX,TOOL (DRAWER FOR LEFT SLIDE TOOL BOX:2007,2010)	1			218752
	(*****)	BOX,TOOL (DRAWER FOR LEFT TOOL BOX:2007,2010)	1			219342
3	(*****)	SUPPORT	1			
	(*****)	SUPPORT (SWIVEL LADDER REST,2-DECKER/2007)	1			218752
4	(*****)	SUPPORT (FIXED RADDER REST)	1			
	(*****)	SUPPORT (FIXED LADDER REST,2-DECKER/2007)	1			218752
	(*****)	SUPPORT (FIXED LADDER REST,1-DECKER/2007)	1			218752
5	(*****)	SUPPORT (1-DECK & FOR SHELF SLIDE BOX/2007,2010)	1			218752
6	(*****)	WOOD BLOCK	1			
	(*****)	WOOD BLOCK	1			218752
	(*****)	WOOD BLOCK	1			219120
7	(*****)	WOOD BLOCK (LARGE SIZE)	1			
	(*****)	WOOD BLOCK (LARGE SIZE)	1			219120
8	(*****)	WOOD BLOCK	1			
9	(*****)	VIEW SYSTEM (FOR ISUZU,NISSAN,MAZDA)	1			
	(*****)	VIEW SYSTEM (FOR HINO,TOYOTA)	1			
	(*****)	VIEW SYSTEM (FOR MITSUBISHI)	1			
10	(*****)	GUARD	1			
11	(*****)	EARTHING DEVICE	1			
13	(*****)	INDICATOR,LAMP	1			
14	(*****)	MOUNT	1			
	(*****)	MOUNT,COLOR CONE SUPPORT	1			
	(*****)	MOUNT,COLOR CONE SUPPORT (CONE BAR)	1			219120
15	(*****)	MOUNT,HOOK	1			
16	(*****)	MOUNT,COLOR CONE SUPPORT	1			
17	(*****)	BUZZER (JACK/FOR MITSUBISHI)	1			
	(*****)	BUZZER (JACK/FOR HINO,TOYOTA)	1			
	(*****)	BUZZER (JACK/FOR ISUZU:PB,NISSAN,MAZDA)	1			
	(*****)	BUZZER (JACK OPE./07.0 ISUZU, NISSAN,MAZDA BKG,BDG)	1			218926
	(*****)	BUZZER (JACK OPE./09.0 ISUZU BKG,BDG)	1			219531
18	(*****)	BUZZER (JACK)	1			218752
20	(*****)	PLATE ASSY,NAME	1			
21	(*****)	WEIGHT	1			
22	(*****)	POWER SUPPLY (LOWER)	1			219120

AT-100-4 42063430600 LOWER,HINO PB-XZU301X-TYMMS6

Pos No.	Parts No	Parts Name	Qty	Unit	Technical Data	Serial No (Start)	Serial No (End)	Remarks	Page
1	90303071001	WASHER,PLAIN	2		10				
2	90302041001	WASHER,SPRING	2		10				
3	90174110035	BOLT	2		M10X35				
4	36652840000	PUMP,OIL (32CC:L)	1						0000

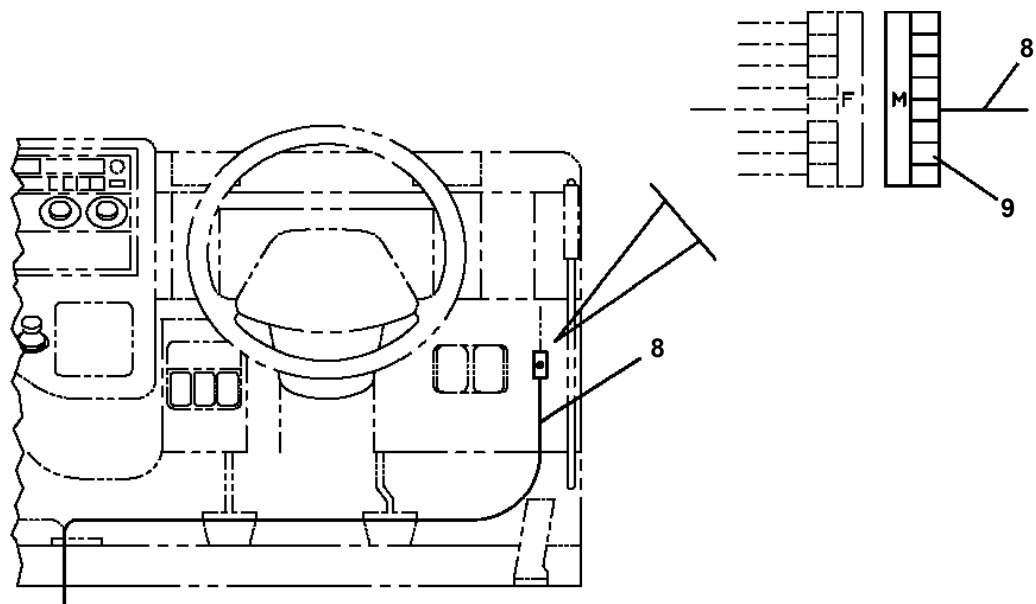
AT-100-4 42063430600 LOWER,HINO PB-XZU301X-TYMMS6

Pos No.	Parts No	Parts Name	Qty	Unit	Technical Data	Serial No (Start)	Serial No (End)	Remarks
1	42739880400	BLOCK,WOOD (FOR SLOPES)	1					

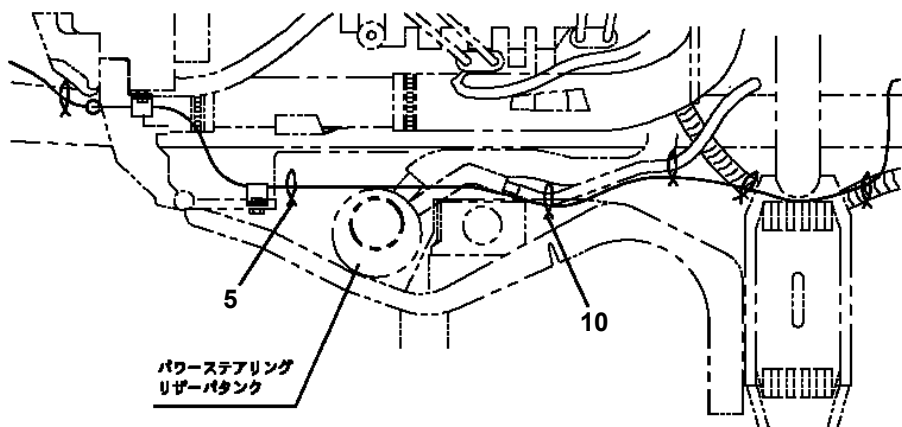
AT-100-4 42063430600 LOWER,HINO PB-XZU301X-TYMMS6

Pos No.	Parts No	Parts Name	Qty	Unit	Technical Data	Serial No (Start)	Serial No (End)	Remarks	Pages
1	42971110100	SUPPORT	1						
2	42971100200	SUPPORT	1						
3	90101210025	BOLT	2		M10X25	218752			
4	90302041001	WASHER,SPRING	2		10				
5	90201201000	NUT	2		M10				
6	90303071001	WASHER,PLAIN	2		10				
7	90101208020	BOLT	2		M8X20		219273		
8	90302040801	WASHER,SPRING	2		8		219273		
9	82466102908	WASHER	2				219273		

AT-100-4 42063430600 LOWER, HINO PB-XZU301X-TYMMS6
PH1500014-00 BUZZER (JACK/FOR MITSUBISHI)

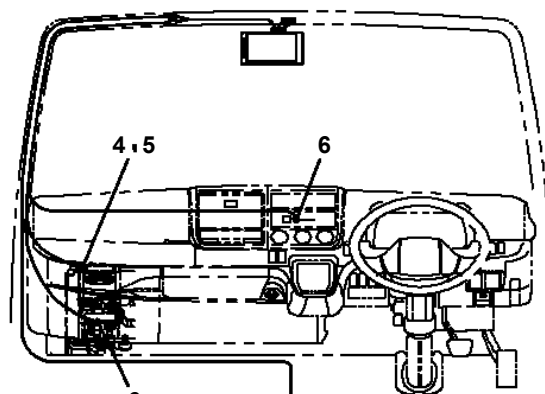
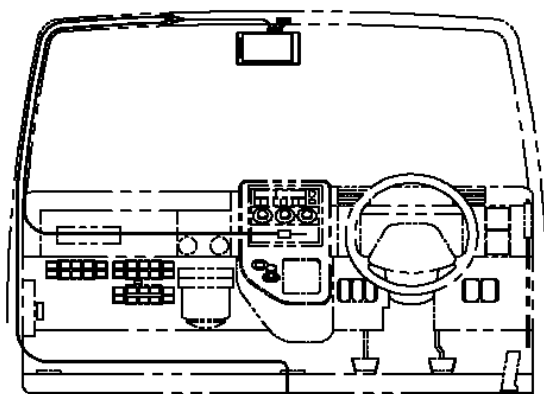
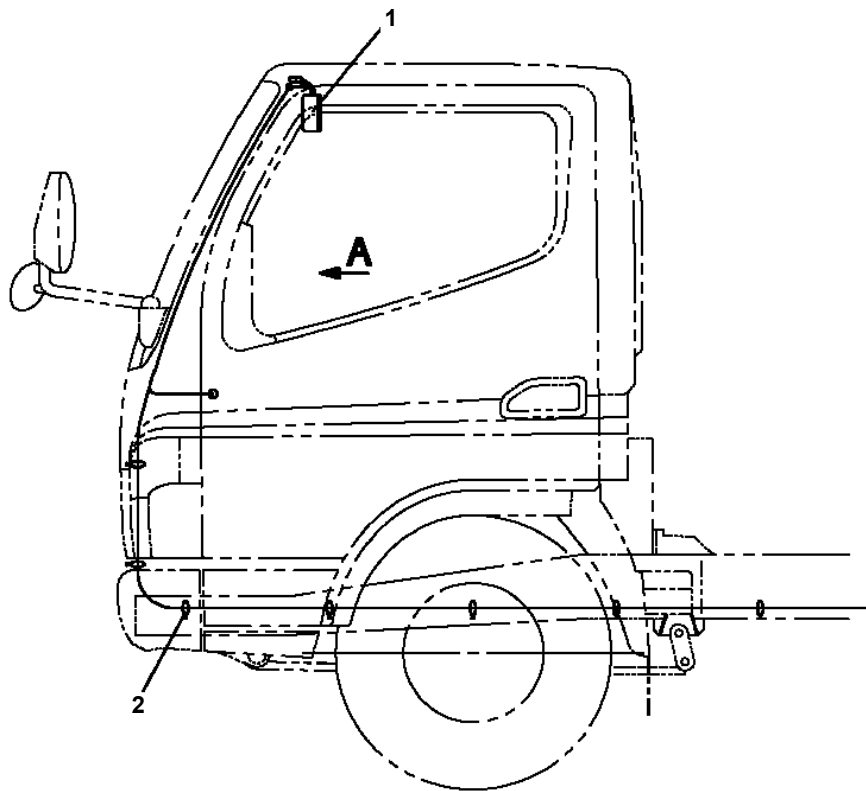


A



C

AT-100-4 42063430600 LOWER, HINO PB-XZU301X-TYMMS6
PH1700274-01 VIEW SYSTEM (MONITOR)



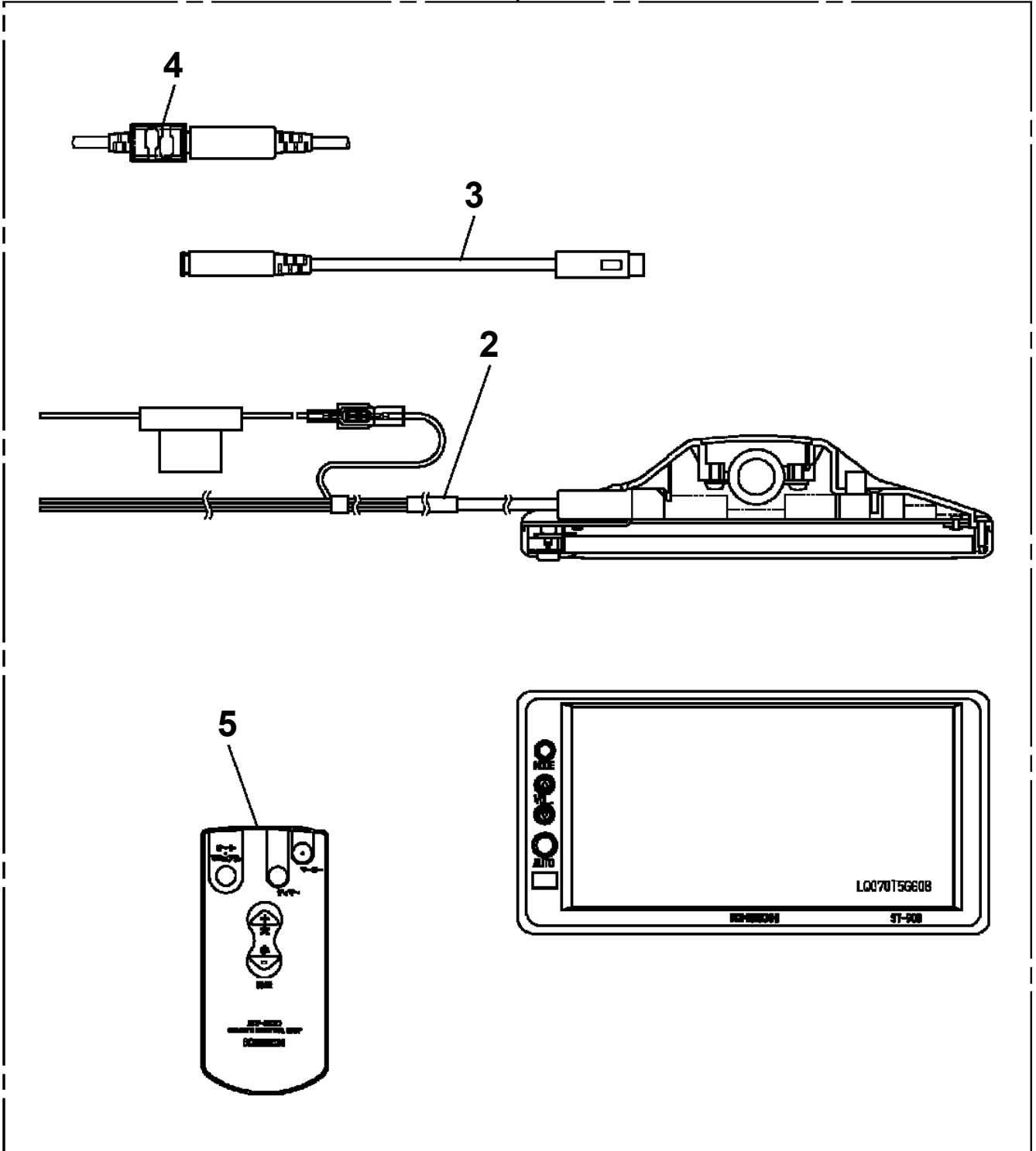
A

**AT-100-4 42063430600 LOWER,HINO PB-XZU301X-TYMMS6
PH1700303-01 VIEW SYSTEM (FOR ISUZU,NISSAN,MAZDA)**

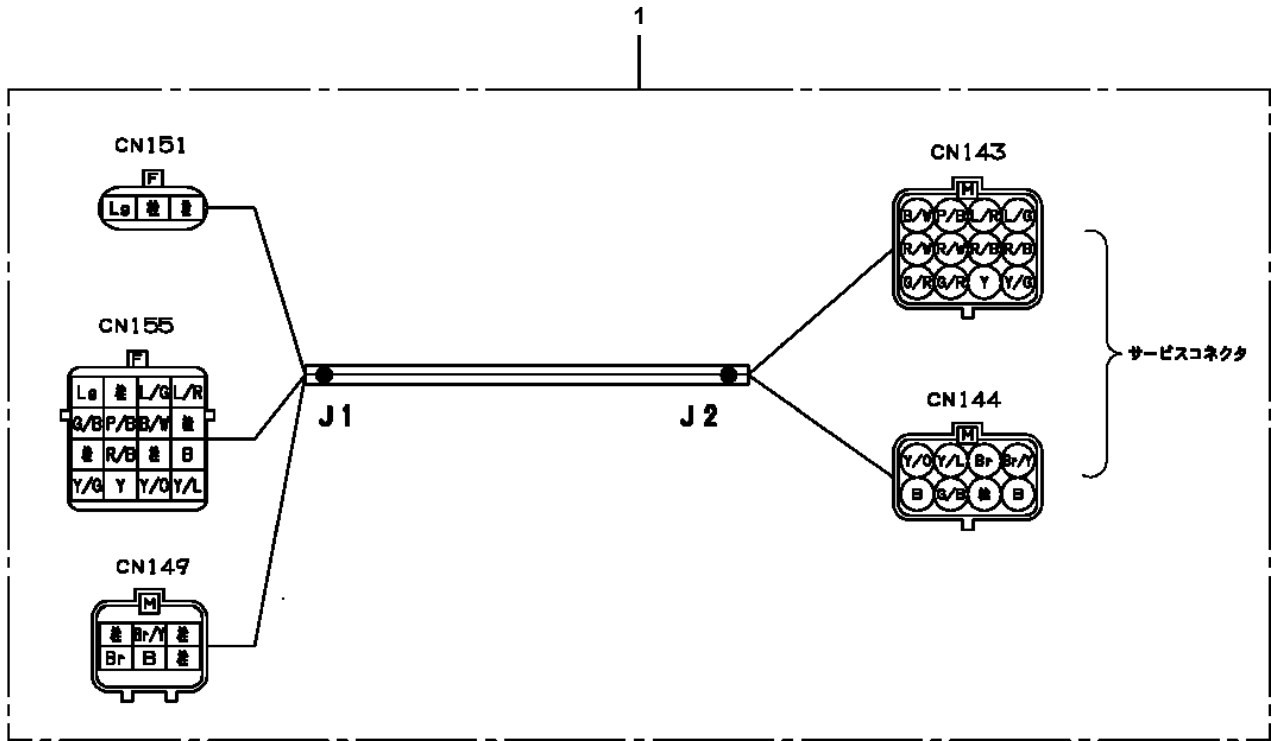
指示番号 KEY NO.	ビユー システム (イスズ ,ニッサン,マツダ ヨウ) VIEW SYSTEM (FOR ISUZU,NISSAN,MAZDA)
1	ビユー システム (モニタ) VIEW SYSTEM (MONITOR)
2	ビユー システム (カメラ) VIEW SYSTEM (CAMERA)

AT-100-4 42063430600 LOWER,HINO PB-XZU301X-TYMMS6
PH1710017-00 DISPLAY

100



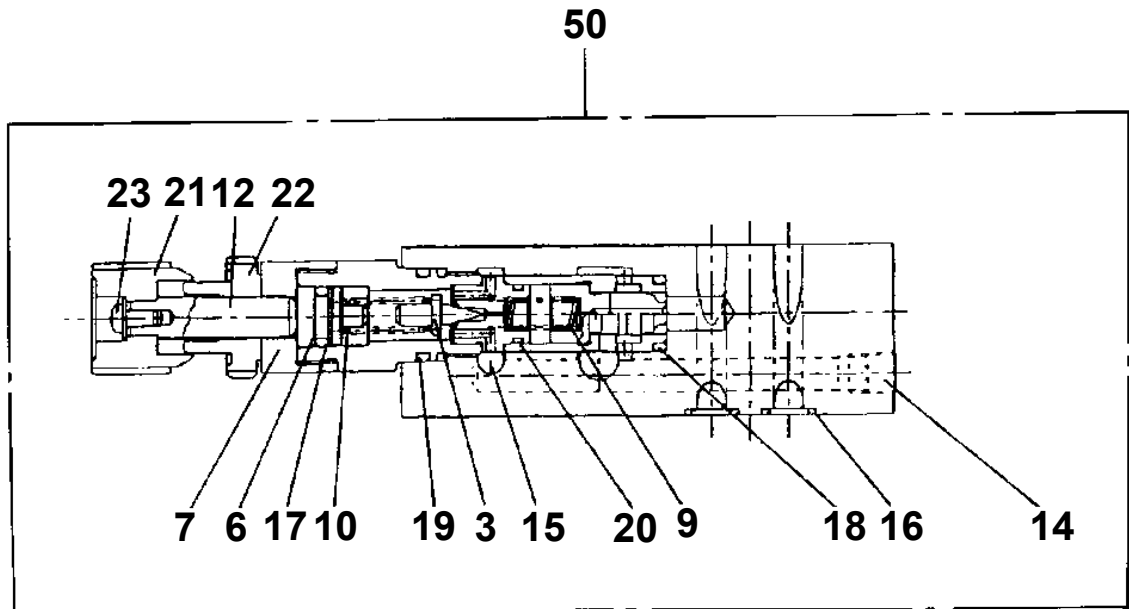
AT-100-4 42063430600 LOWER,HINO PB-XZU301X-TYMMS6
 PH5031304-00 HARNESS



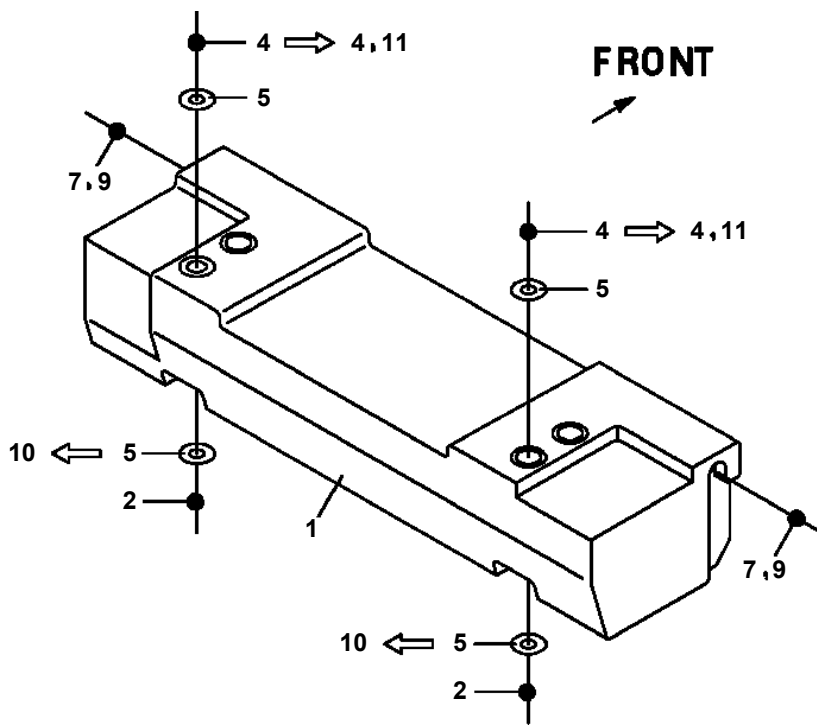
AT-100-4 42063430600 LOWER,HINO PB-XZU301X-TYMMS6

PI1100078-00 VALVE,RELIEF

Assembly Name VALVE, RELIEF



AT-100-4 42063430600 LOWER,HINO PB-XZU301X-TYMMS6
PK1230117-02 WEIGHT



CLICK HERE TO **DOWNLOAD** THE COMPLETE MANUAL

- Thank you very much for reading the preview of the manual.
- You can download the complete manual from: www.heydownloads.com by clicking the link below



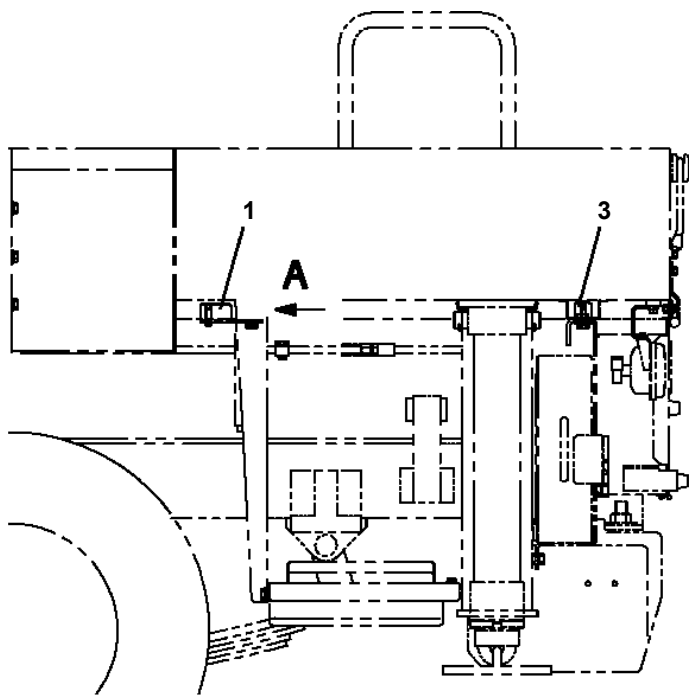
- Please note: If there is no response to CLICKING the link, please download this PDF first and then click on it.

CLICK HERE TO **DOWNLOAD** THE COMPLETE MANUAL

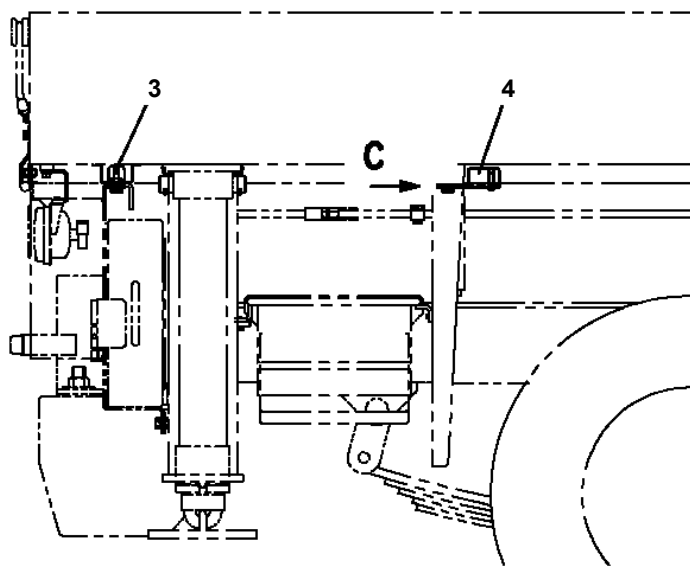
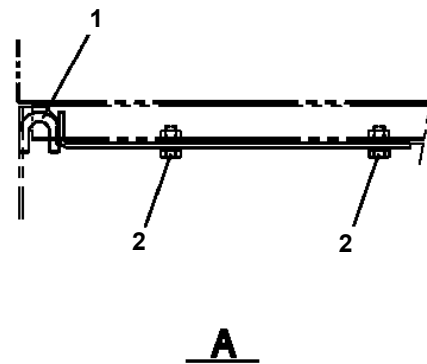
AT-100-4 42063430600 LOWER,HINO PB-XZU301X-TYMMS6

Pos No.	Parts No	Parts Name	Qty	Unit	Technical Data	Serial No (Start)	Serial No (End)	Remarks	Page
1	42652695010	CABLE ASSY	1		L=1500				
2	82100001216	CAP	1						
3	37002703390	CABLE ASSY	1		L=270				
4	91810132530	FASTENER	6						
5	82100001802	TUBE,CORRUGATE	2	M	10				
6	90303070801	WASHER,PLAIN	1		8	HK0043			
7	90302040801	WASHER,SPRING	1		8	HK0043			
8	90201200800	NUT	1		M8	HK0043			
9	90303070601	WASHER,PLAIN	2		6	HK0992			

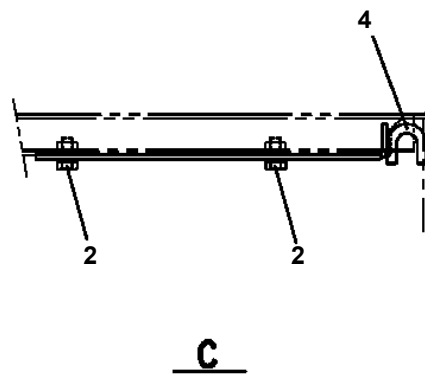
AT-100-4 42063430600 LOWER,HINO PB-XZU301X-TYMMS6
PX1180321-00 MOUNT,HOOK



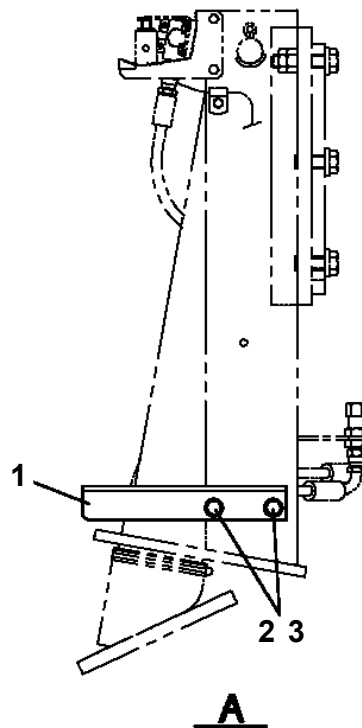
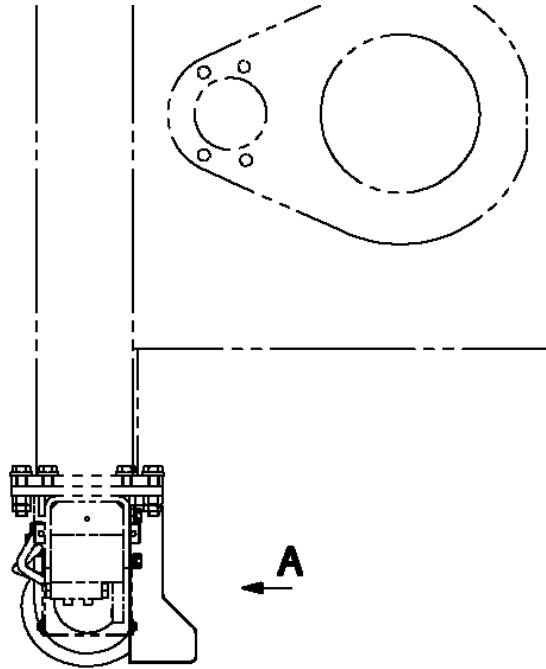
車両左側



車両右側

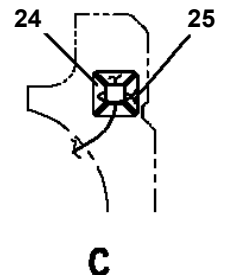
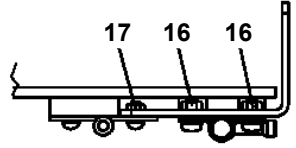
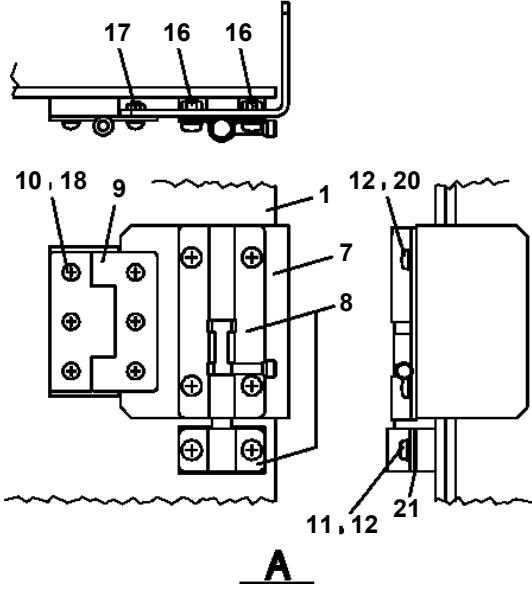
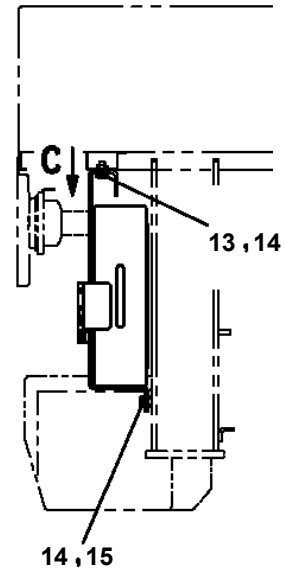
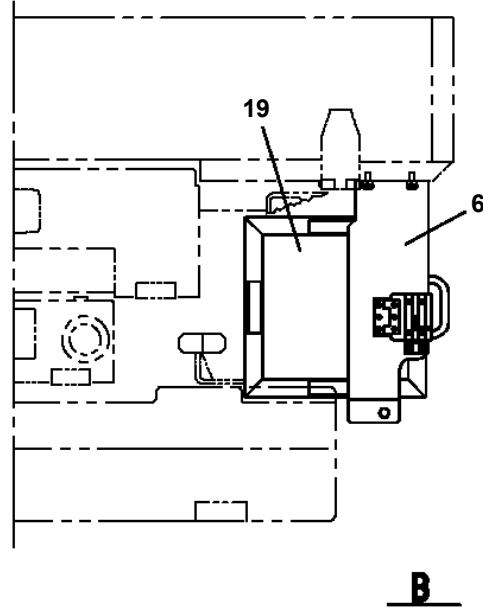
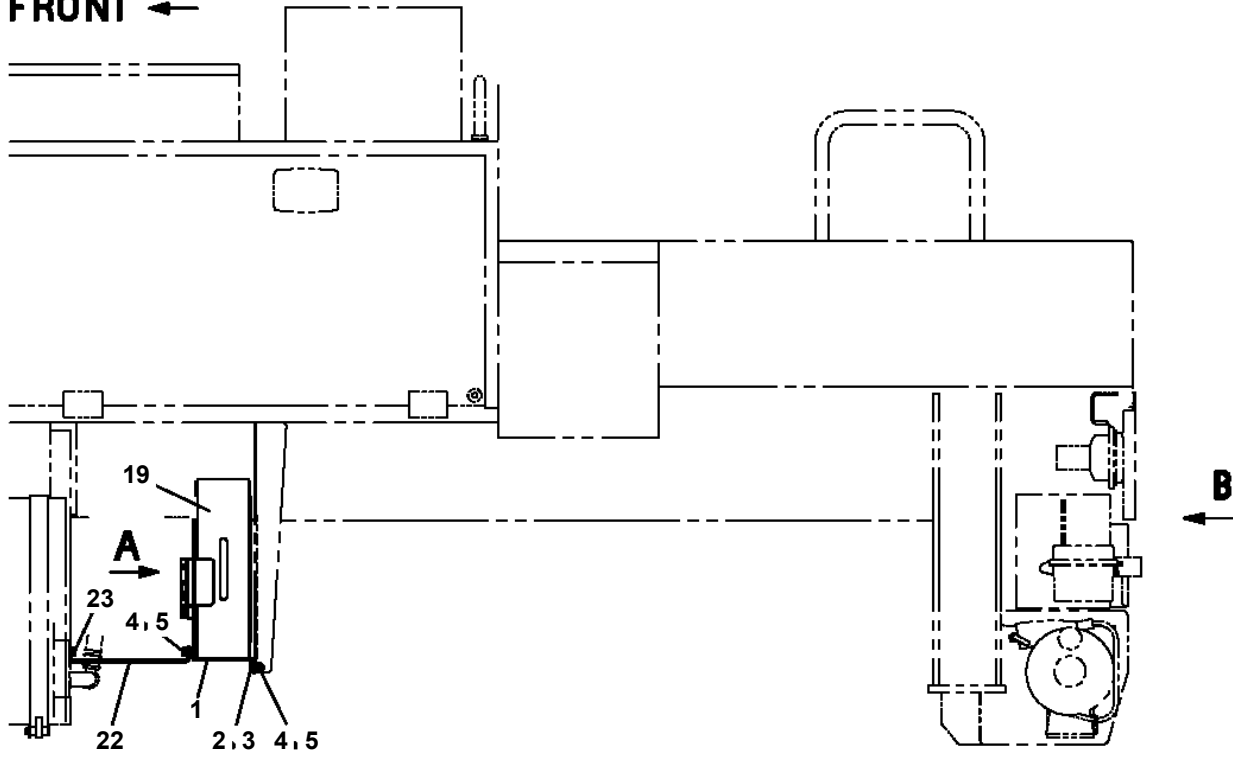


AT-100-4 42063430600 LOWER,HINO PB-XZU301X-TYMMS6
PX1260232-00 STEP



**AT-100-4 42063430600 LOWER,HINO PB-XZU301X-TYMMS6
PX1270149-00 WOOD BLOCK**

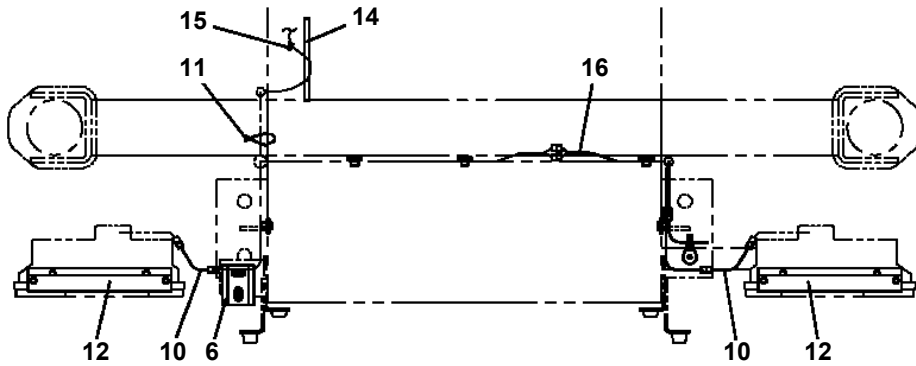
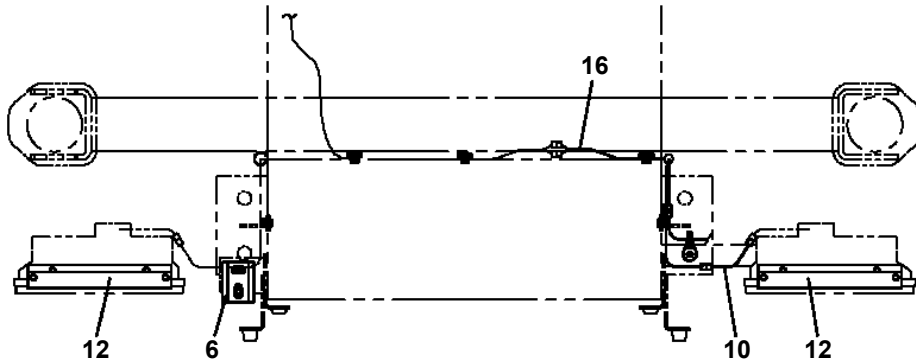
FRONT ←



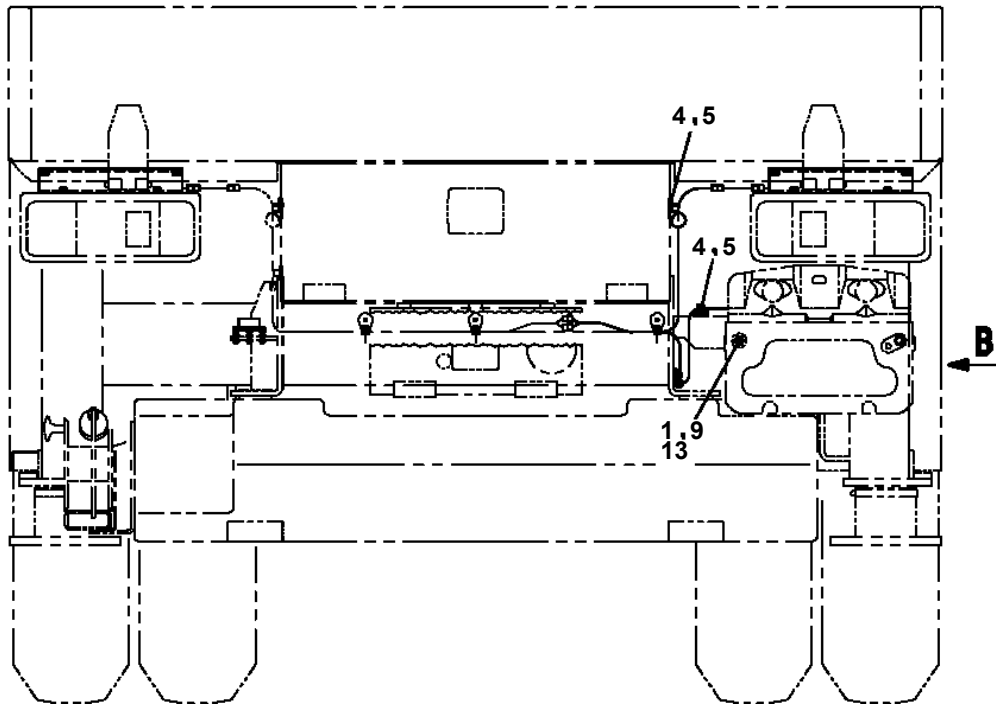
C
日野・トヨタ架装車
テールランプの場合

AT-100-4 42063430600 LOWER, HINO PB-XZU301X-TYMMS6
PX1310288-03 MOUNT, LAMP (TAIL)

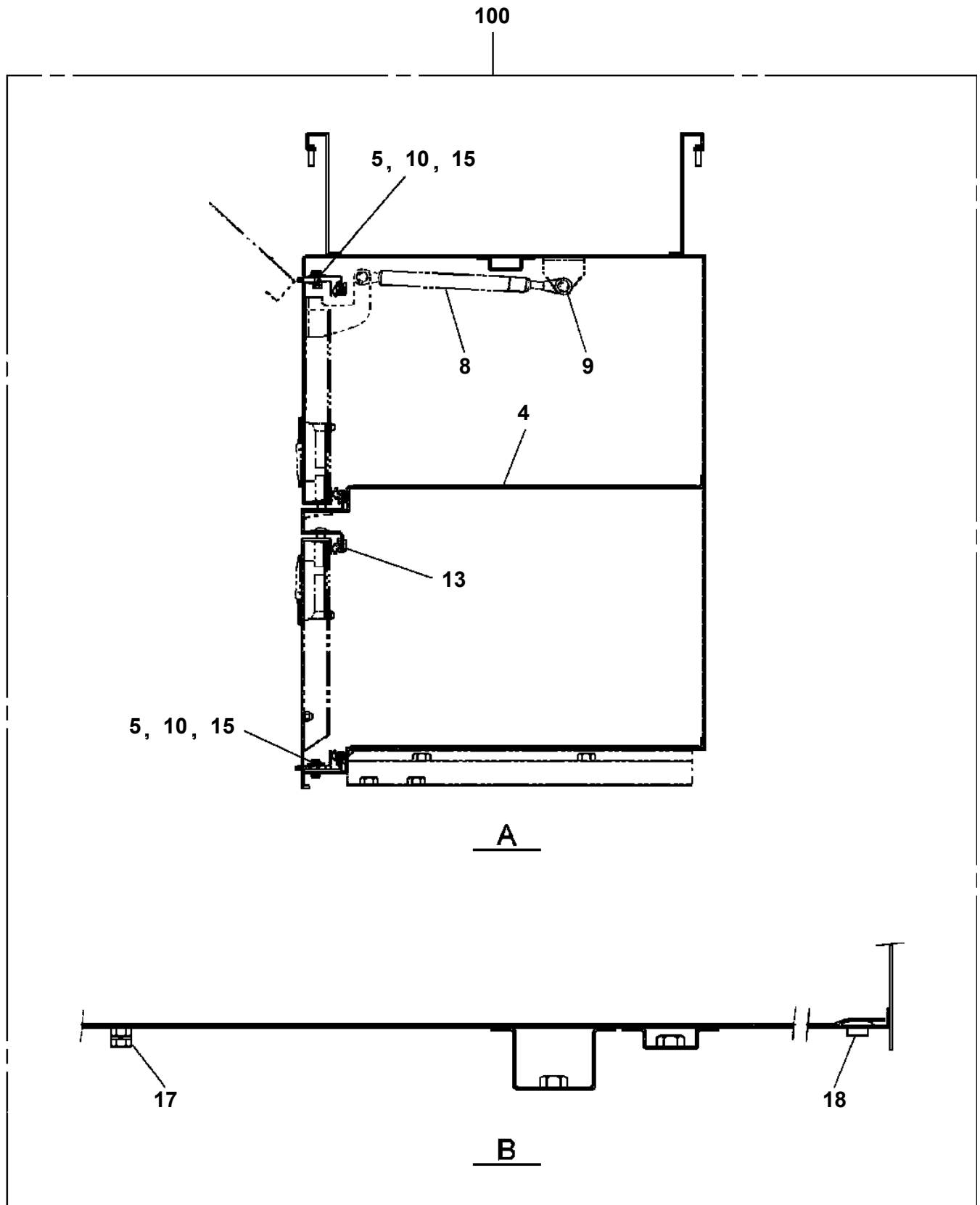
FRONT



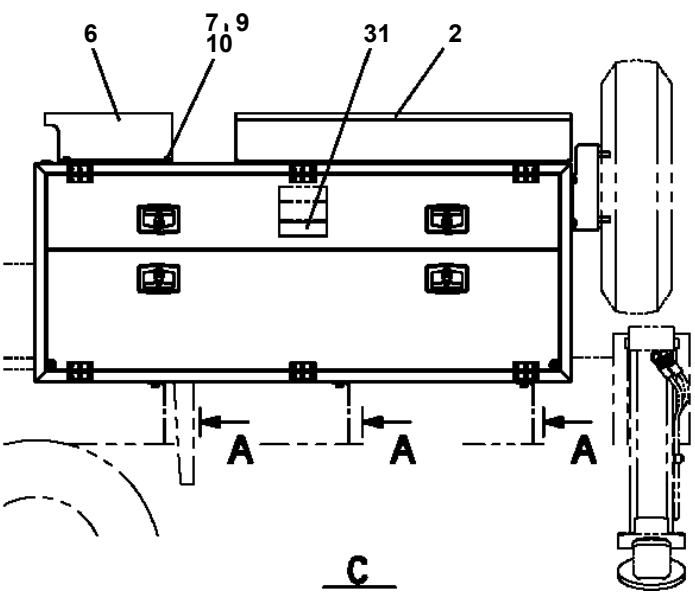
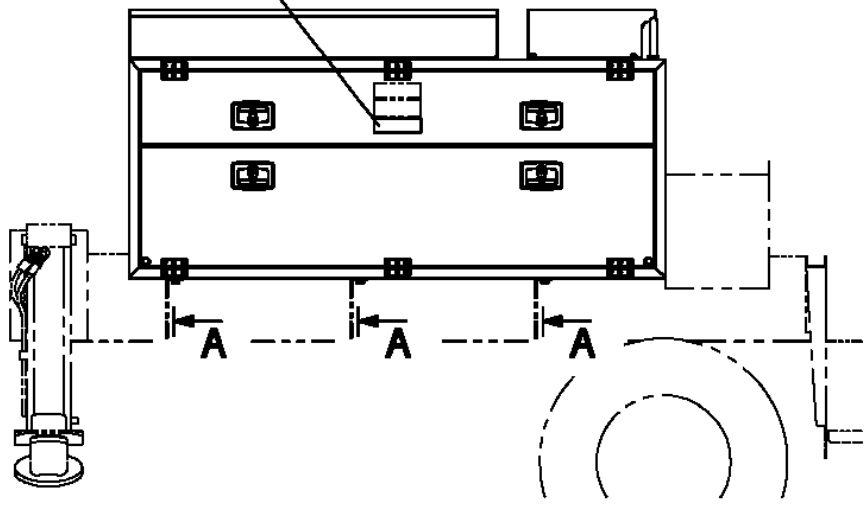
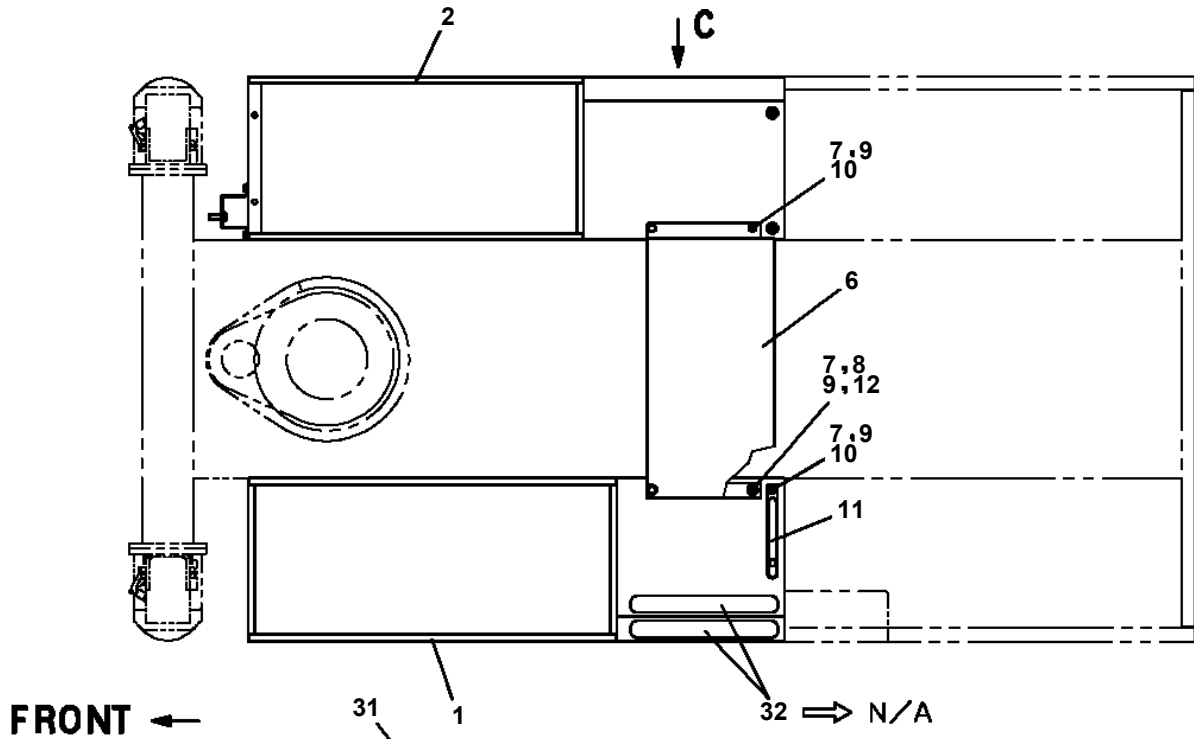
A



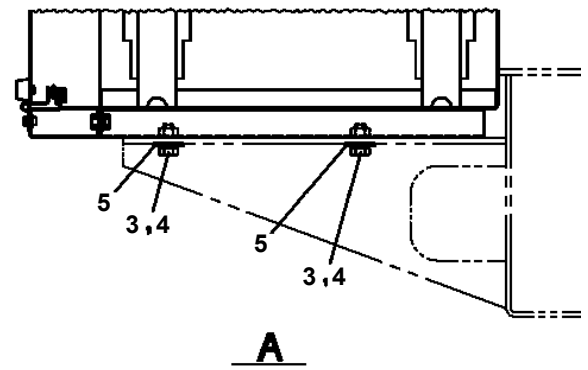
AT-100-4 42063430600 LOWER, HINO PB-XZU301X-TYMMS6
PX1350790-03 BOX, TOOL



AT-100-4 42063430600 LOWER, HINO PB-XZU301X-TYMMS6
 PX1350981-02 BOX, TOOL (2-DECK/ TTE:2007)



注意
 上段の扉はロックを開放すると自然に開きます。扉との
 接触に注意して開閉してください。



AT-100-4 42063430600 LOWER,HINO PB-XZU301X-TYMMS6

Pos No.	Parts No	Parts Name	Qty	Unit	Technical Data	Serial No (Start)	Serial No (End)	Remarks	Pages
1	42836073000	BOX,TOOL	1						00009
2	42835711000	BOX,TOOL	1						00009
3	90101210025	BOLT	12		M10X25				
4	90302041001	WASHER,SPRING	12		10				
5	37000549940	PLATE	12		T=3.2				
6	42836080010	SUPPORT	1						
7	90101208020	BOLT	6		M8X20				
8	42835710020	PLATE	2						
9	90302040801	WASHER,SPRING	6		8				
10	82466102908	WASHER	4						
11	42835710100	SUPPORT	1						
12	37000547660	PLATE	2		T=2.3				
31	42398701010	PLATE,CAUTION	2						
32	42835714010	PLATE (NON-SLIP)	2				219900		

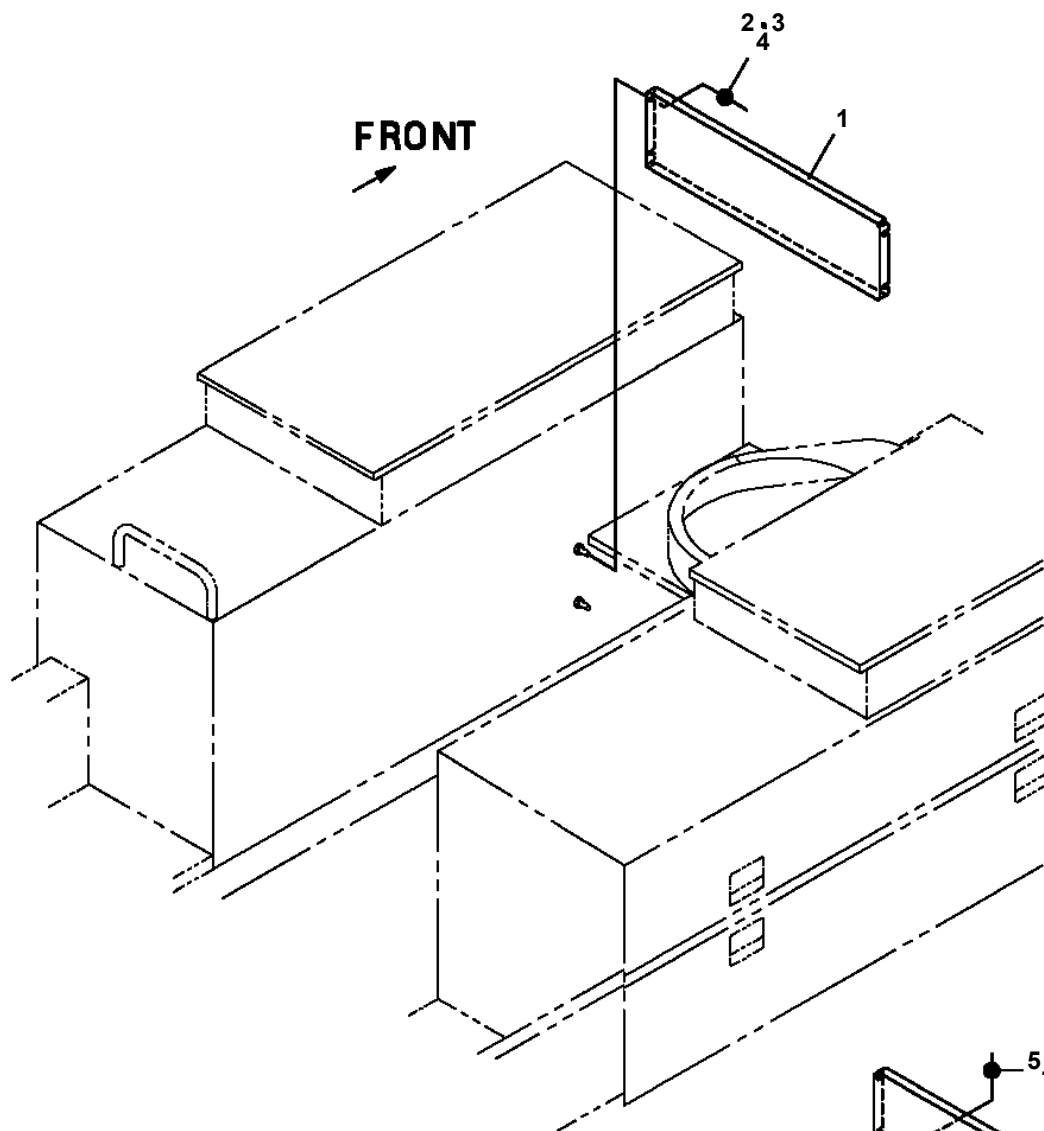
AT-100-4 42063430600 LOWER,HINO PB-XZU301X-TYMMS6

Pos No.	Parts No	Parts Name	Qty	Unit	Technical Data	Serial No (Start)	Serial No (End)	Remarks	Pages
1	42971121002	BOX,TOOL	1						000100
2	42971120011	PLATE	1						
3	90101208014	BOLT	2		M8X14				
4	90303070801	WASHER,PLAIN	2		8				
5	90302040801	WASHER,SPRING	2		8				
6	42943630070	PLATE,NAME	1						

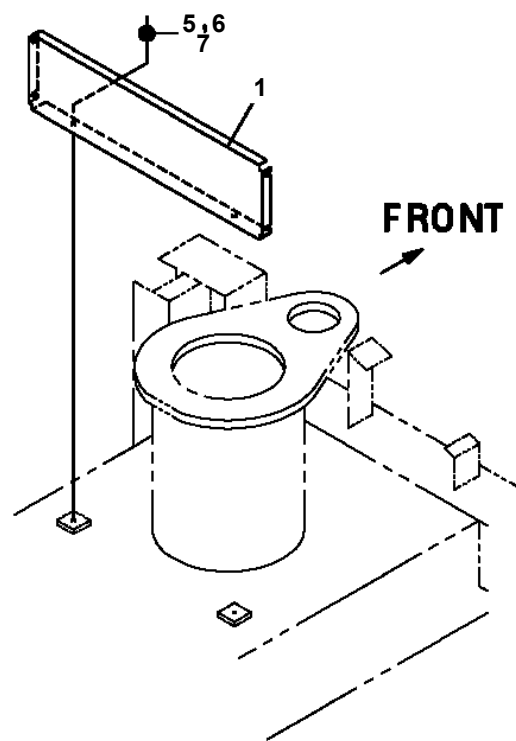
AT-100-4 42063430600 LOWER,HINO PB-XZU301X-TYMMS6

Pos No.	Parts No	Parts Name	Qty	Unit	Technical Data	Serial No (Start)	Serial No (End)	Remarks	Page
1	42785390100	SUPPORT	1						
2	42785390200	SUPPORT	1						
3	90171110030	BOLT	6		M10X30				
4	90302041001	WASHER,SPRING	6		10				
5	90201781000	NUT	6		M10				
6	91810130240	FASTENER	3						
7	42784170400	HARNESS	1		L=250				
8	82100001802	TUBE,CORRUGATE	1	M	10				
9	90201200800	NUT	1		M8		218760		
	90201200800	NUT	3		M8	218761			
10	82100002016	CLAMP	1		WR25				
11	90303070801	WASHER,PLAIN	1		8		218760		
	90303070801	WASHER,PLAIN	2		8	218761			
12	90101206020	BOLT	1		M6X20		218760		
	90101208020	BOLT	1		M8X20	218761			
13	90201200600	NUT	1		M6		218760		
	42786750100	SUPPORT	1			218761			
14	90302040601	WASHER,SPRING	1		6		218760		
	90101208016	BOLT	1		M8X16	218761			
15	90303070601	WASHER,PLAIN	1		6		218760		
16	90302040801	WASHER,SPRING	1		8		218760		
	90302040801	WASHER,SPRING	3		8	218761			

AT-100-4 42063430600 LOWER,HINO PB-XZU301X-TYMMS6
PX1810264-01 MOUNT,SUPPORT



工具箱背面に取付ボルトがある場合



工具箱背面に取付ボルトがない場合

CLICK HERE TO **DOWNLOAD** THE COMPLETE MANUAL

- Thank you very much for reading the preview of the manual.
- You can download the complete manual from: www.heydownloads.com by clicking the link below



- Please note: If there is no response to CLICKING the link, please download this PDF first and then click on it.

CLICK HERE TO **DOWNLOAD** THE COMPLETE MANUAL