

AT-100-4 42063421200 LOWER,MITSUBISHI PDG-FE73DB 4UKA4

PB3000090-00 POWER UNIT

PO1000183-00 INDICATION PLATES (LOWER)

PX2001148-00 CARRIER UNIT

PX3000423-01 MOUNTING UNIT

ASSEMBLY

CLICK HERE TO **DOWNLOAD** THE COMPLETE MANUAL

- Thank you very much for reading the preview of the manual.
- You can download the complete manual from: www.heydownloads.com by clicking the link below



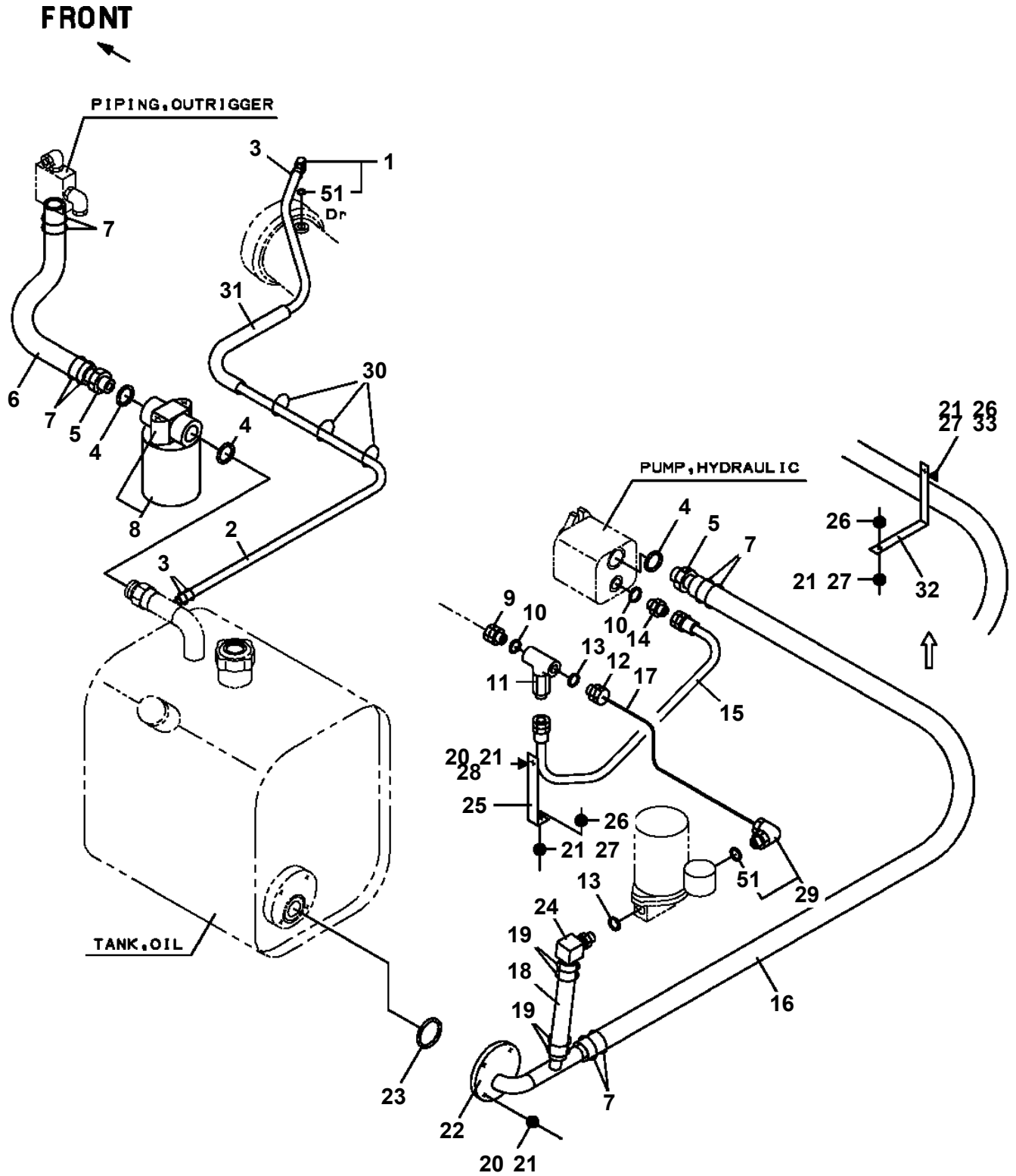
- Please note: If there is no response to CLICKING the link, please download this PDF first and then click on it.

CLICK HERE TO **DOWNLOAD** THE COMPLETE MANUAL

AT-100-4 42063421200 LOWER,MITSUBISHI PDG-FE73DB 4UKA4

Pos No.	Parts No	Parts Name	Qty	Unit	Technical Data	Serial No (Start)	Serial No (End)	Remarks	Pages
1	42791101000	COUPLING ASSY	1						

AT-100-4 42063421200 LOWER, MITSUBISHI PDG-FE73DB 4UKA4
PB1411747-00 PIPING, LOWER



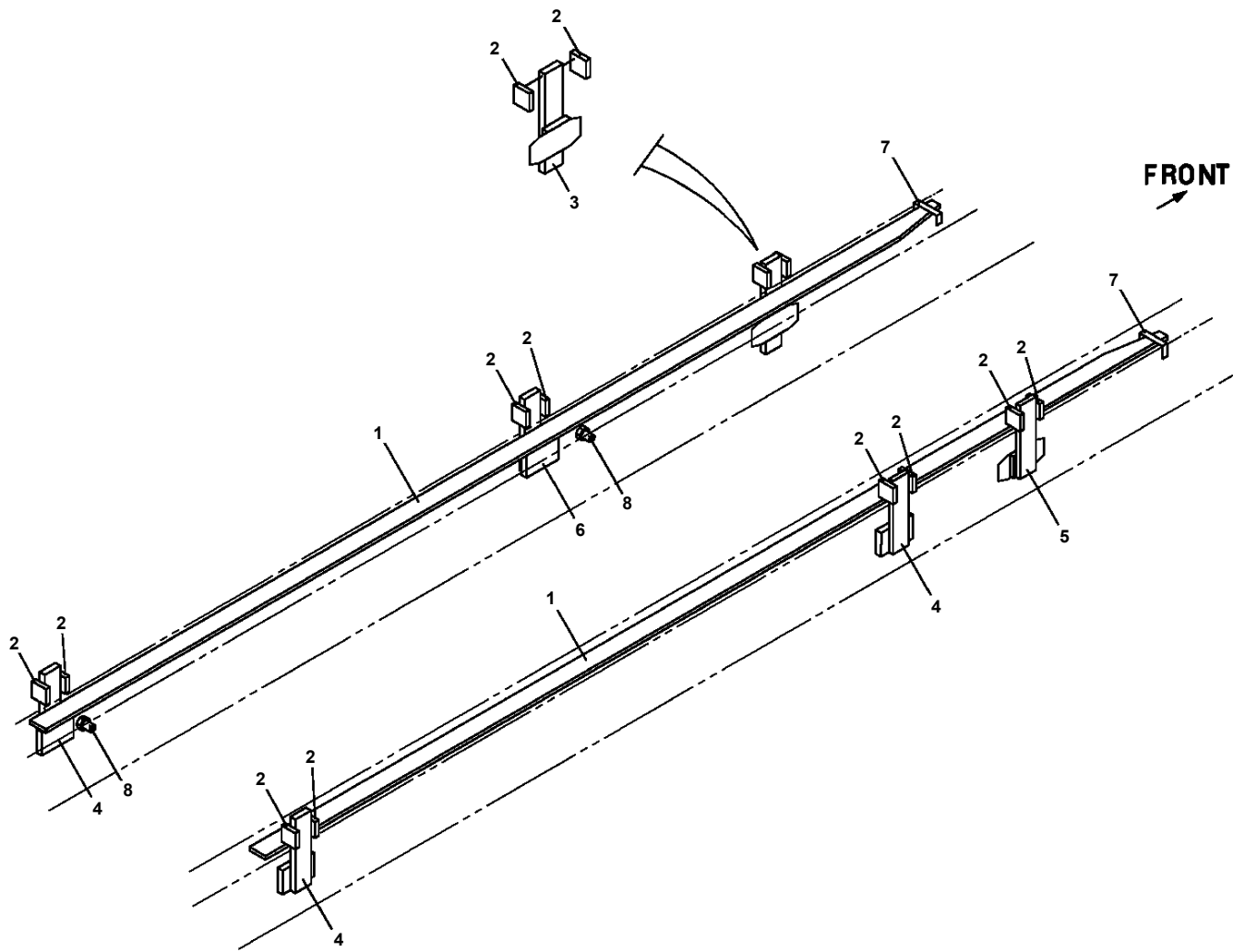
AT-100-4 42063421200 LOWER,MITSUBISHI PDG-FE73DB 4UKA4

Pos No.	Parts No	Parts Name	Qty	Unit	Technical Data	Serial No (Start)	Serial No (End)	Remarks
1	36672285010	HEAD ASSY	1					
2	36670109511	FILTER,CARTRIDGE	1				HK2666	
	36672580000	FILTER,CARTRIDGE	1			HK2667		
10	36672280000	FILTER,OIL (YAMASHIN)	1					

AT-100-4 42063421200 LOWER,MITSUBISHI PDG-FE73DB 4UKA4

Pos No.	Parts No	Parts Name	Qty	Unit	Technical Data	Serial No (Start)	Serial No (End)
1	42935510100	HARNESS	1				
2	82193101020	TIMER	1				
3	82100002597	RELAY	1				
4	82100002645	SOCKET	1				
5	90186206010	BOLT,FLANGE	1		M6X10		
6	82199603010	SUPPORT	2				
7	91810132530	FASTENER	20				
8	82111101510	TERMINAL	2				
9	82114102010	CONNECTOR (1P FEMALE,HOUSING)	2				
10	82100002596	RELAY	1				
11	82100001326	CONNECTOR	1				
12	80172304012	SCREW,MACHINE	2		M4X12		
13	90302040401	WASHER,SPRING	4		4		
14	42934760200	SUPPORT	1				
15	42934760300	COVER	1				
16	80172304008	SCREW,MACHINE	2		M4X8		
17	82400000516	FASTENER	2				
18	82100002013	CLAMP	1		WRC18		
19	82115001002	CONNECTOR	7				
20	82114101010	CONNECTOR	2				
21	82111101010	TERMINAL	2				
22	82121101050	PLUG (BLACK/AV0.3 TO 0.5)	4				
23	82100002012	CLAMP	2		WR18		
24	90201200600	NUT	1		M6		
25	90302040601	WASHER,SPRING	1		6		
26	82100002014	CLAMP	1		WR20	219331	

**AT-100-4 42063421200 LOWER, MITSUBISHI PDG-FE73DB 4UKA4
PX1170819-00 ATTACHMENT PARTS, CRANE FRAME**



CLICK HERE TO **DOWNLOAD** THE COMPLETE MANUAL

- Thank you very much for reading the preview of the manual.
- You can download the complete manual from: www.heydownloads.com by clicking the link below



- Please note: If there is no response to CLICKING the link, please download this PDF first and then click on it.

CLICK HERE TO **DOWNLOAD** THE COMPLETE MANUAL