

**AT-100-4 42063442341 UPPER/LOWER,ISUZU BKG-NKR85AN-EE5AHY**

**PB0000275-02 UPPER STRUCTURE SYSTEM**

**PB0000500-02 LOWER STRUCTURE SYSTEM**

**ASSEMBLY**

CLICK HERE TO **DOWNLOAD** THE COMPLETE MANUAL

- Thank you very much for reading the preview of the manual.
- You can download the complete manual from: [www.heydownloads.com](http://www.heydownloads.com) by clicking the link below



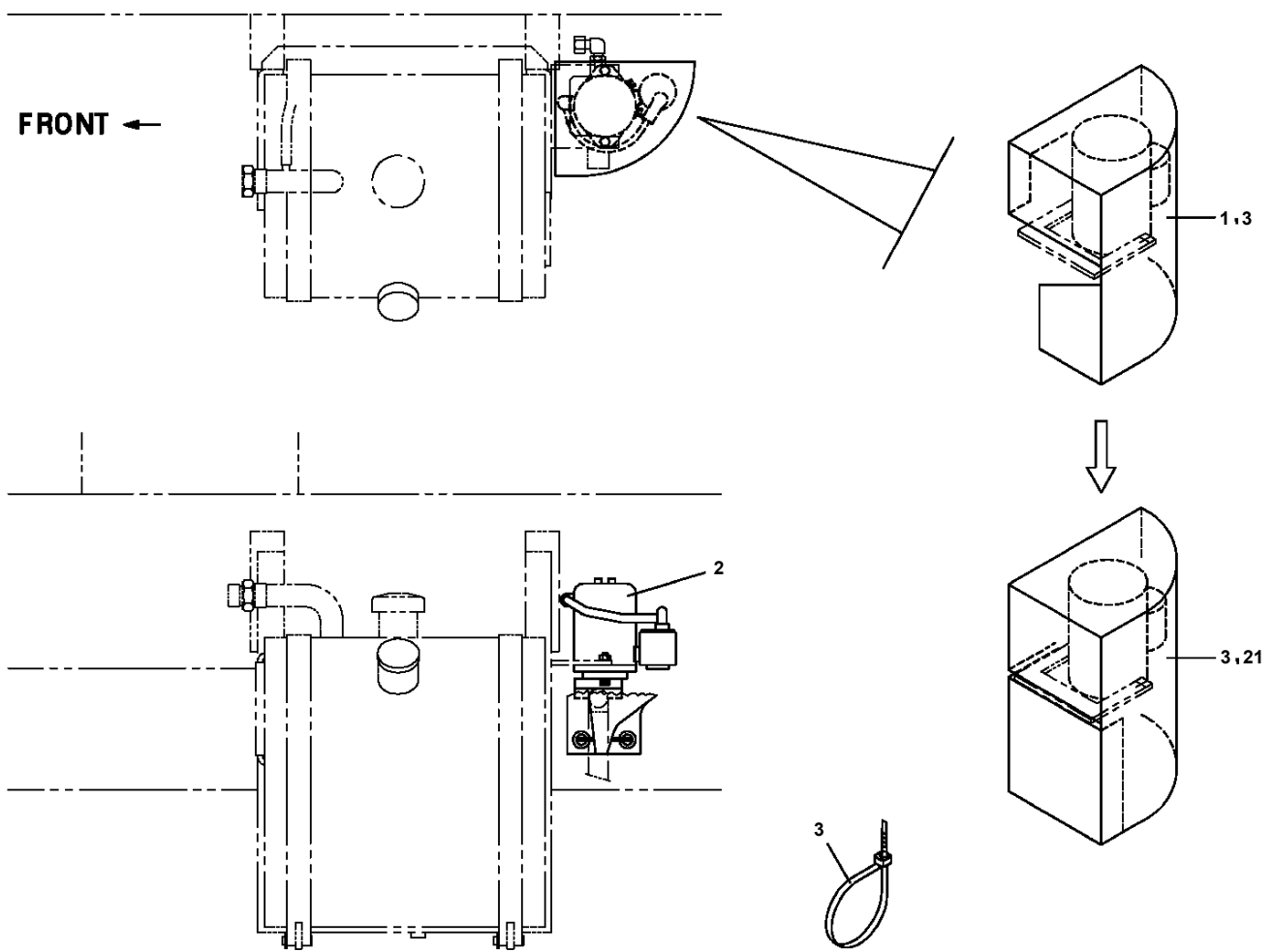
- Please note: If there is no response to CLICKING the link, please download this PDF first and then click on it.

CLICK HERE TO **DOWNLOAD** THE COMPLETE MANUAL

# AT-100-4 42063442341 UPPER/LOWER,ISUZU BKG-NKR85AN-EE5AHY

PS5530064-01 SWITCH ASSY (SAFETY INTERLOCK/WITH ENABLE SW)  
PS5530084-02 SWITCH ASSY  
PS5530090-01 SWITCH ASSY (WITH HARNESS,3 SW)  
PS5530176-00 SWITCH ASSY  
PS5530196-00 SWITCH ASSY  
PS5530403-00 SWITCH ASSY  
PS5550005-00 SUPPORT (7 DEGREES ANGLE METER MOUNTING)  
PV1020305-02 VALVE,REMOTE CONTROL  
PV1300019-00 CABLE  
PV1300020-00 CABLE (3 POLE)  
PV5010005-00 VALVE ASSY (JACK CONTROL)  
PV5070007-00 VALVE ASSY,COUNTERBALANCE  
PV5140017-00 VALVE ASSY,RELIEF  
PW1000118-00 ACCESSORIES & TOOLS  
PW1010251-00 ACCESSORIES (MAT/FOR SI BUCKET)  
PW1010337-01 ACCESSORIES  
PW1030049-01 TOOLS  
PW1050018-01 WEDGE (STOPPER FOR TIRE/JUSTIN)  
PW5110002-00 WEDGE (STOPPER FOR TIRE/WAZUMI)  
PW5110003-00 WEDGE (STOPPER FOR TIRE/NAKAMURA KIKI)  
PW5110005-00 WEDGE (YELLOW)  
PX1100281-01 TANK SUPPORT  
PX1100303-00 TANK SUPPORT  
PX1120592-00 BOOM REST  
PX1170795-00 ATTACHMENT PARTS,CRANE FRAME  
PX1210176-02 GUARD  
PX1260232-00 STEP  
PX1260268-01 STEP  
PX1270056-00 WOOD BLOCK (OPTION)  
PX1270135-00 WOOD BLOCK  
PX1270147-00 WOOD BLOCK  
PX1310312-02 MOUNT,LAMP (TAIL)  
PX1350803-00 BOX,TOOL (NEO KANSAI/BUCKET)  
PX1351056-00 BOX,TOOL (LEFT/INNER SHELF)  
PX1351161-00 BOX,TOOL  
PX1351175-01 BOX,TOOL  
PX1351179-01 BOX,TOOL (LEFT SLIDE/RIGHT DOUBLE:'07)  
PX1351180-02 BOX,TOOL  
PX1351181-00 BOX,TOOL  
PX1351182-01 BOX,TOOL (RIGHT,LEFT SLIDE:'07)  
PX1351218-00 BOX,TOOL (ISUZU BKG)  
PX1351219-01 BOX,TOOL  
PX1351220-01 BOX,TOOL  
PX1351221-01 BOX,TOOL  
PX1351247-00 BOX,TOOL (BUCKET)  
PX1360072-00 REFLECTOR (SWING ALIGNMENT MARK)  
PX1390929-03 MODIFICATION PARTS  
PX1410173-02 MOUNT,TIRE  
PX1830013-00 COUPLING  
PX1940380-00 MOUNT  
PX1940382-00 MOUNT  
PX2001529-00 CARRIER UNIT  
PX3000588-00 MOUNTING UNIT  
PX5010366-00 MOUNT ASSY  
PX5670031-00 MOUNT ASSY,STEP  
PX5780011-00 MOUNT ASSY,TOOL BOX  
PX5780014-00 MOUNT ASSY,TOOL BOX (TOYOTA,HINO BDG,BKG)  
PX5780040-01 MOUNT ASSY,TOOL BOX (LEFT SLIDE,RIGHT DOUBLE/2010)  
PX5780042-01 MOUNT ASSY,TOOL BOX (LEFT & RIGHT,SLIDE/2010)  
PX5780110-00 MOUNT ASSY,TOOL BOX (TOYOTA,HINO SKG)  
PY1001250-04 OPTIONS,1 (LOWER)  
PY1001693-00 OPTION UNIT,1 (UPPER)  
PY1070000-00 ROPE (SAFETY,YELLOW:TD-TYPE)  
PY1070001-00 ROPE (SAFETY,1.5M,WITH HOOK)

**AT-100-4 42063442341 UPPER/LOWER, ISUZU BKG-NKR85AN-EE5AHY  
PB1110058-01 MOUNT, PUMP (EMERGENCY)**



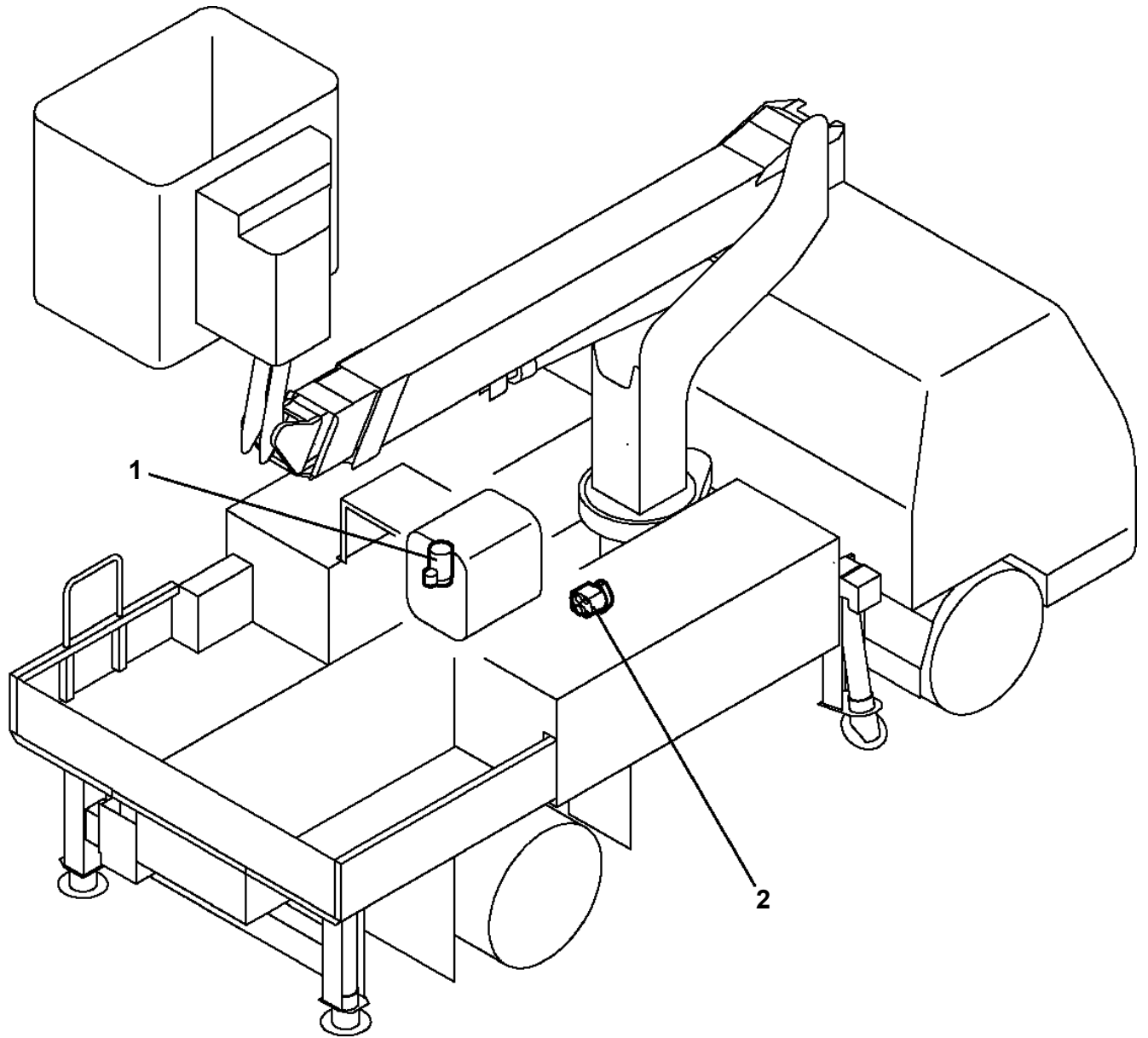
**AT-100-4 42063442341 UPPER/LOWER,ISUZU BKG-NKR85AN-EE5AHY**

| Pos No. | Parts No    | Parts Name    | Qty | Unit | Technical Data | Serial No (Start) | Serial No (End) | Remarks | Pages  |
|---------|-------------|---------------|-----|------|----------------|-------------------|-----------------|---------|--------|
| 1       | 82119422100 | CONNECTOR     | 1   |      |                |                   |                 |         |        |
| 2       | 42501161010 | HARNESS       | 1   |      |                |                   |                 |         | 000153 |
| 3       | 80175304016 | SCREW,MACHINE | 2   |      | M4X16          |                   |                 |         |        |
| 4       | 91810130240 | FASTENER      | N   |      |                |                   |                 |         |        |
| 5       | 42477640080 | PLATE,NAME    | 1   |      |                |                   |                 |         |        |

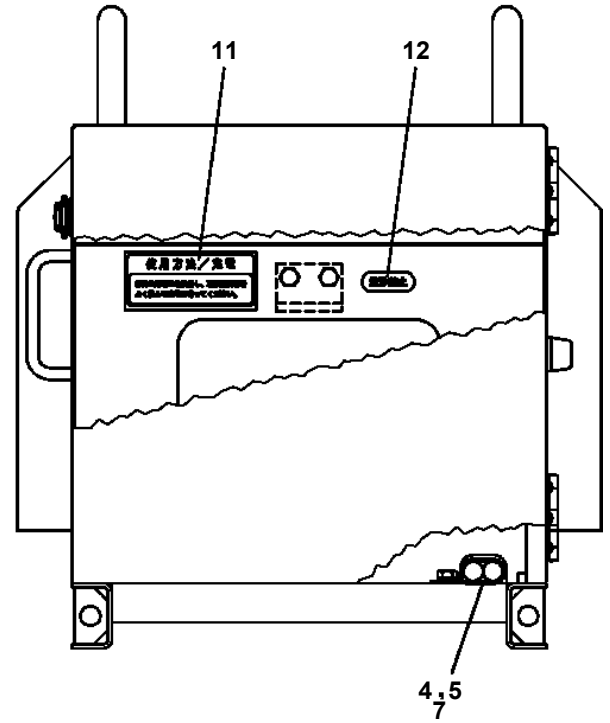
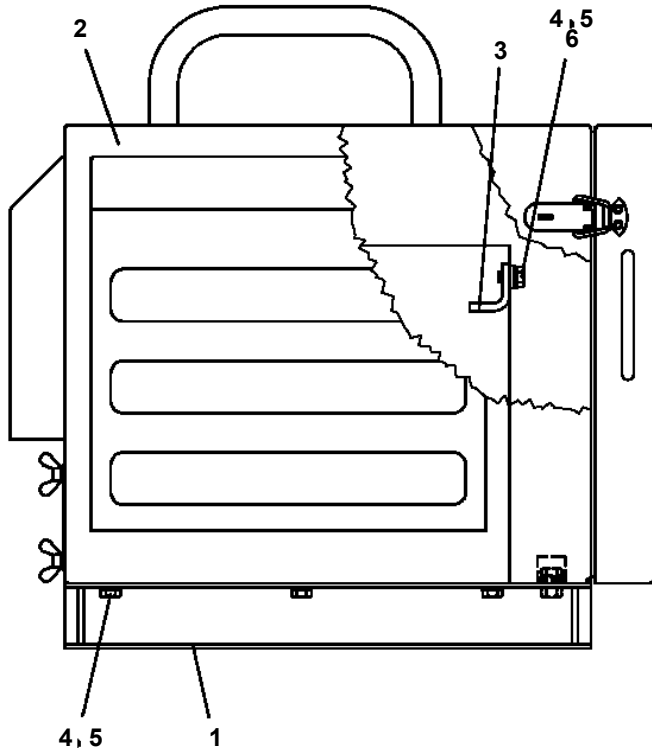
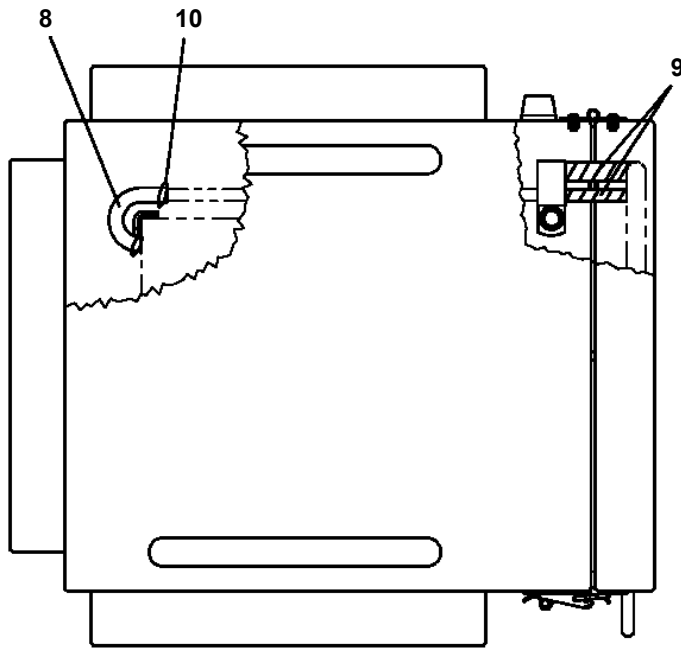
# AT-100-4 42063442341 UPPER/LOWER,ISUZU BKG-NKR85AN-EE5AHY

| Pos No. | Parts No | Parts Name   | Qty | Unit | Technical Data | Serial |
|---------|----------|--|-----|------|----------------|--------|
| 1       | (*****)  | PIPING   | 1   |      |                |        |
| 2       | (*****)  | ELEC.ASSY  | 1   |      |                |        |
| 3       | (*****)  | ELEC.ASSY (BUCKET)                                     | 1   |      |                |        |
| 4       | (*****)  | PLATE ASSY,NAME  | 1   |      |                |        |
| 5       | (*****)  | PLATE ASSY,NAME (AT-100TT:AMC DATA)                    | 1   |      |                |        |
| 6       | (*****)  | PLATE (STICK RUBBER FOR POWER SUPPLY)                  | 1   |      |                |        |
| 7       | (*****)  | EARTHING DEVICE (EARTH STICK&EARTH REELSET UP AT REAR) | 1   |      |                |        |
| 8       | (*****)  | TANK SUPPORT   | 1   |      |                |        |

**AT-100-4 42063442341 UPPER/LOWER,ISUZU BKG-NKR85AN-EE5AHY  
PB3000090-00 POWER UNIT**



AT-100-4 42063442341 UPPER/LOWER,ISUZU BKG-NKR85AN-EE5AHY  
PB5260027-00 BOX ASSY (FOR HYBRID,CHARGE)





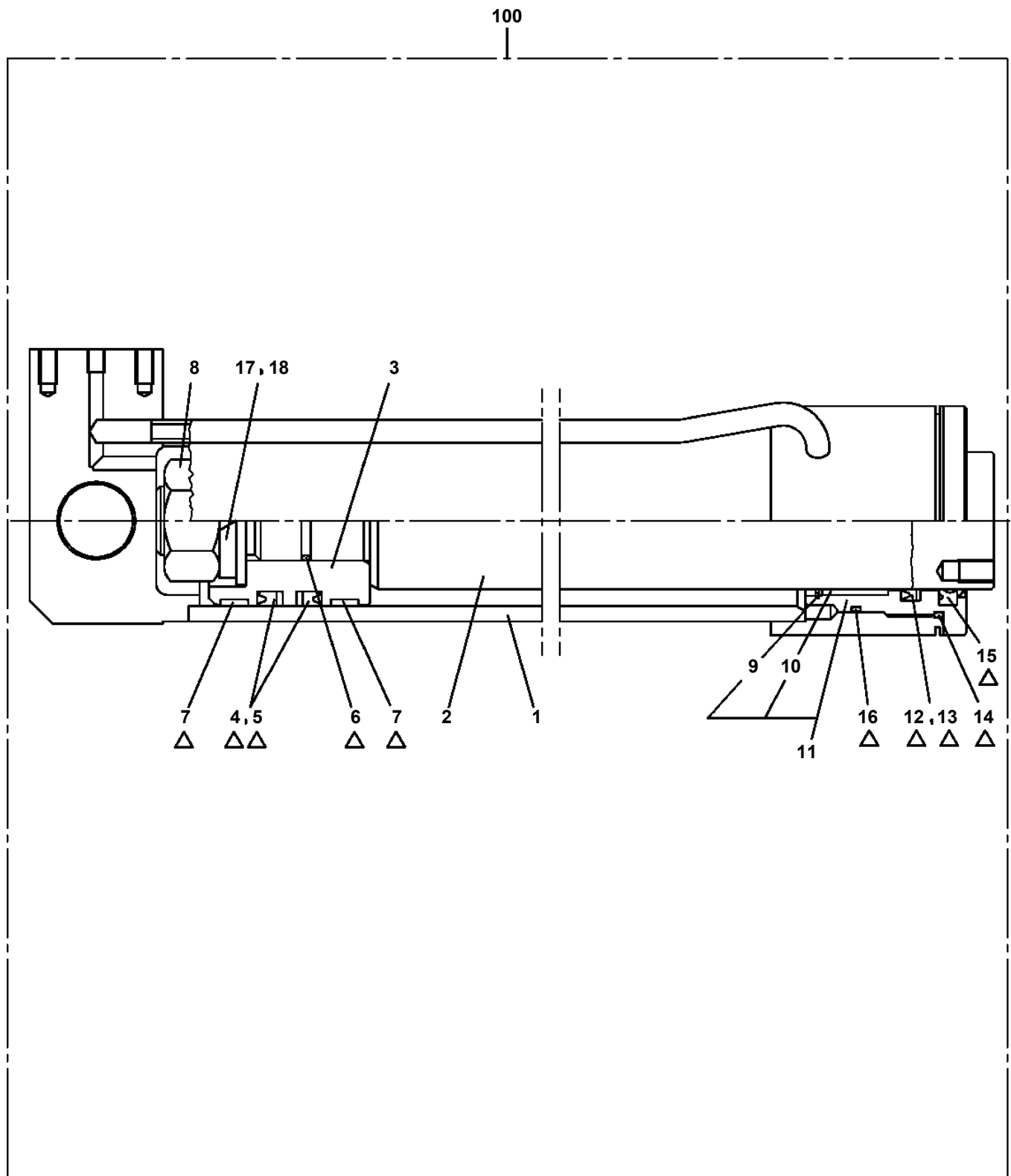
# AT-100-4 42063442341 UPPER/LOWER,ISUZU BKG-NKR85AN-EE5AHY

| Pos No. | Parts No    | Parts Name                      | Qty | Unit | Technical Data | Serial No (Start) | Serial No (End) |
|---------|-------------|---------------------------------|-----|------|----------------|-------------------|-----------------|
| 2       | 42835867760 | DOOR                            | 1   |      |                |                   |                 |
|         | 42835867760 | DOOR                            | 1   |      |                |                   |                 |
| 3       | 42835867770 | DOOR                            | 1   |      |                |                   |                 |
|         | 42835867770 | DOOR                            | 1   |      |                |                   |                 |
| 4       | 42835867720 | COVER                           | 1   |      |                |                   |                 |
|         | 42835867720 | COVER                           | 1   |      |                |                   |                 |
| 5       | 42835257900 | PLATE                           | 6   |      |                |                   |                 |
|         | 42835257900 | PLATE                           | 6   |      |                |                   |                 |
| 6       | 42835257870 | CATCH                           | 1   |      |                |                   |                 |
|         | 42835257870 | CATCH                           | 1   |      |                |                   |                 |
| 7       | 42835867780 | STOPPER                         | 2   |      |                |                   |                 |
|         | 42835867780 | STOPPER                         | 2   |      |                |                   |                 |
| 8       | 42836447510 | RUBBER (WITH DOUBLE-STICK TAPE) | 1   |      |                |                   |                 |
|         | 42836447510 | RUBBER (WITH DOUBLE-STICK TAPE) | 1   |      |                |                   |                 |
| 9       | 42832707520 | FASTENER (LEFT)                 | 1   |      |                |                   |                 |
|         | 42832707520 | FASTENER (LEFT)                 | 1   |      |                |                   |                 |
| 10      | 42832707530 | FASTENER (RIGHT)                | 1   |      |                |                   |                 |
|         | 42832707530 | FASTENER (RIGHT)                | 1   |      |                |                   |                 |
| 11      | 82400000393 | INSULATOR                       | 4   |      |                |                   |                 |
|         | 82400000393 | INSULATOR                       | 4   |      |                |                   |                 |
| 12      | 42835867850 | TRIM                            | 1   |      |                |                   |                 |
|         | 42835867850 | TRIM                            | 1   |      |                |                   |                 |
| 13      | 42835867860 | PAD,RUBBER                      | 1   |      |                |                   |                 |
|         | 42835867860 | PAD,RUBBER                      | 1   |      |                |                   |                 |
| 14      | 42833077610 | BUSH                            | 16  |      |                |                   |                 |
|         | 42833077610 | BUSH                            | 16  |      |                |                   |                 |
| 15      | 42835867870 | CATCH                           | 1   |      |                |                   |                 |
|         | 42835867870 | CATCH                           | 1   |      |                |                   |                 |
| 16      | 42835257930 | HINGE                           | 4   |      |                |                   |                 |
|         | 42835257930 | HINGE                           | 4   |      |                |                   |                 |
| 17      | 42833607680 | CAP                             | 2   |      |                |                   |                 |
|         | 42833607680 | CAP                             | 2   |      |                |                   |                 |
| 18      | 42837157540 | PLUG (HOLE)                     | 2   |      |                |                   |                 |
|         | 42837157540 | PLUG (HOLE)                     | 2   |      |                |                   |                 |
| 19      | 42834627540 | SCREW,MACHINE (SEMS)            | 6   |      | M4X8           |                   |                 |
|         | 42834627540 | SCREW,MACHINE (SEMS)            | 6   |      | M4X8           |                   |                 |
| 20      | 32830487660 | SCREW,MACHINE (SEMS)            | 4   |      | M4X12          |                   |                 |
|         | 32830487660 | SCREW,MACHINE (SEMS)            | 4   |      | M4X12          |                   |                 |
| 21      | 42834457620 | SCREW,MACHINE (SEMS)            | 4   |      | M4X16          |                   |                 |
|         | 42834457620 | SCREW,MACHINE (SEMS)            | 4   |      | M4X16          |                   |                 |
| 22      | 80175804010 | SCREW,MACHINE                   | 18  |      | M4X10          |                   |                 |
|         | 80175804010 | SCREW,MACHINE                   | 18  |      | M4X10          |                   |                 |
| 23      | 42835257950 | SCREW,MACHINE                   | 2   |      | M5X10          |                   |                 |
|         | 42835257950 | SCREW,MACHINE                   | 2   |      | M5X10          |                   |                 |
| 24      | 42834877610 | NUT                             | 4   |      | M12            |                   |                 |
|         | 42834877610 | NUT                             | 4   |      | M12            |                   |                 |
| 25      | 32830537780 | WASHER,PLAIN                    | 2   |      | M12            |                   |                 |
|         | 32830537780 | WASHER,PLAIN                    | 2   |      | M12            |                   |                 |
| 26      | 42834967580 | RIVET                           | 10  |      |                |                   |                 |
|         | 42834967580 | RIVET                           | 10  |      |                |                   |                 |
| 100     | 42838441500 | BOX,TOOL                        | 1   |      |                |                   |                 |
|         | 42838441500 | BOX,TOOL                        | 1   |      |                |                   |                 |

# AT-100-4 42063442341 UPPER/LOWER,ISUZU BKG-NKR85AN-EE5AHY

| Pos No. | Parts No    | Parts Name                 | Qty | Unit | Technical Data | Serial No (Start) | Serial No (End) | Re |
|---------|-------------|----------------------------|-----|------|----------------|-------------------|-----------------|----|
| 1       | 42838367520 | BOX,TOOL (DOOR FRAME ASSY) | 1   |      |                |                   |                 |    |
| 3       | 42836077560 | DOOR ASSY                  | 1   |      |                |                   |                 |    |
| 4       | 42838487550 | GUIDE                      | 1   |      |                |                   |                 |    |
| 6       | 42835797580 | PLUG (HOLE)                | 8   |      |                |                   |                 |    |
| 7       | 42833077610 | BUSH                       | 14  |      |                |                   |                 |    |
| 8       | 42836077570 | BOLT (WITH W,SW)           | 4   |      | M10X20         |                   |                 |    |
| 9       | 42836077530 | SEAT                       | 1   |      |                |                   |                 |    |
| 10      | 42836077580 | SEAT                       | 1   |      |                |                   |                 |    |
| 11      | 42836077590 | SUPPORT                    | 1   |      |                |                   |                 |    |
| 12      | 42836077600 | SUPPORT                    | 4   |      |                |                   |                 |    |
| 13      | 42835867650 | NUT (SPEED NUT)            | 2   |      | M6             |                   |                 |    |
| 14      | 42835567670 | SCREW,MACHINE (WITH W,SW)  | 2   |      | M6X12          |                   |                 |    |
| 15      | 99164408016 | BOLT (M8X16,WITH WASHER)   | 14  |      |                |                   |                 |    |
| 16      | 42835717670 | SUPPORT                    | 1   |      |                |                   |                 |    |
| 18      | 42836077540 | STOPPER                    | 1   |      |                |                   |                 |    |
| 19      | 42835467840 | SCREW,MACHINE (WITH W,SW)  | 2   |      | M5X22          |                   |                 |    |
| 21      | 42835717760 | PLATE                      | 2   |      |                |                   |                 |    |
| 22      | 42838347520 | PACKING ASSY               | 1   |      |                |                   |                 |    |
| 23      | 42835717700 | SEAL ASSY                  | 1   |      |                |                   |                 |    |
| 24      | 42836077620 | NUT                        | 8   |      |                |                   |                 |    |
| 25      | 42836077640 | COVER (HARNESS)            | 1   | M    |                |                   |                 |    |
| 26      | 42835797550 | SEAL                       | 1   |      |                |                   |                 |    |
| 100     | 42838361001 | BOX,TOOL                   | 1   |      |                |                   |                 |    |

AT-100-4 42063442341 UPPER/LOWER,ISUZU BKG-NKR85AN-EE5AHY  
PC1030397-00 CYLINDER,JACK



Δ:PACKING SET KEY NO.41 (KEY NO.4,5,6,7,12,13,14,15,16)

**AT-100-4 42063442341 UPPER/LOWER,ISUZU BKG-NKR85AN-EE5AHY**

| Pos No. | Parts No    | Parts Name | Qty | Unit | Technical Data | Serial No (Start) | Serial No (End) | Remarks | Pages |
|---------|-------------|------------|-----|------|----------------|-------------------|-----------------|---------|-------|
| 1       | 42506151100 | COVER ASSY | 1   |      |                |                   |                 |         |       |
| 11      | 42506121201 | COVER      | 1   |      |                |                   |                 |         |       |
| 12      | 82460027201 | HANDLE     | 1   |      |                |                   |                 |         |       |
| 13      | 42506151110 | PLATE      | 1   |      |                |                   |                 |         |       |

**AT-100-4 42063442341 UPPER/LOWER,ISUZU BKG-NKR85AN-EE5AHY**

| Pos No. | Parts No    | Parts Name                      | Qty | Unit | Technical Data | Serial No (Start) | Serial No (End) |
|---------|-------------|---------------------------------|-----|------|----------------|-------------------|-----------------|
| 1       | 42509510000 | COVER ASSY (BUCKET/CLOTH:WHITE) | 1   |      |                |                   |                 |

**AT-100-4 42063442341 UPPER/LOWER,ISUZU BKG-NKR85AN-EE5AHY**

| Pos No. | Parts No    | Parts Name                              | Qty | Unit | Technical Data | Serial No (Start) | Ser |
|---------|-------------|---|-----|------|----------------|-------------------|-----|
| 1       | 42507430200 | CABLE (FOR CHARGE EXTENSION/HYBRID,10M) | 1   |      |                |                   |     |

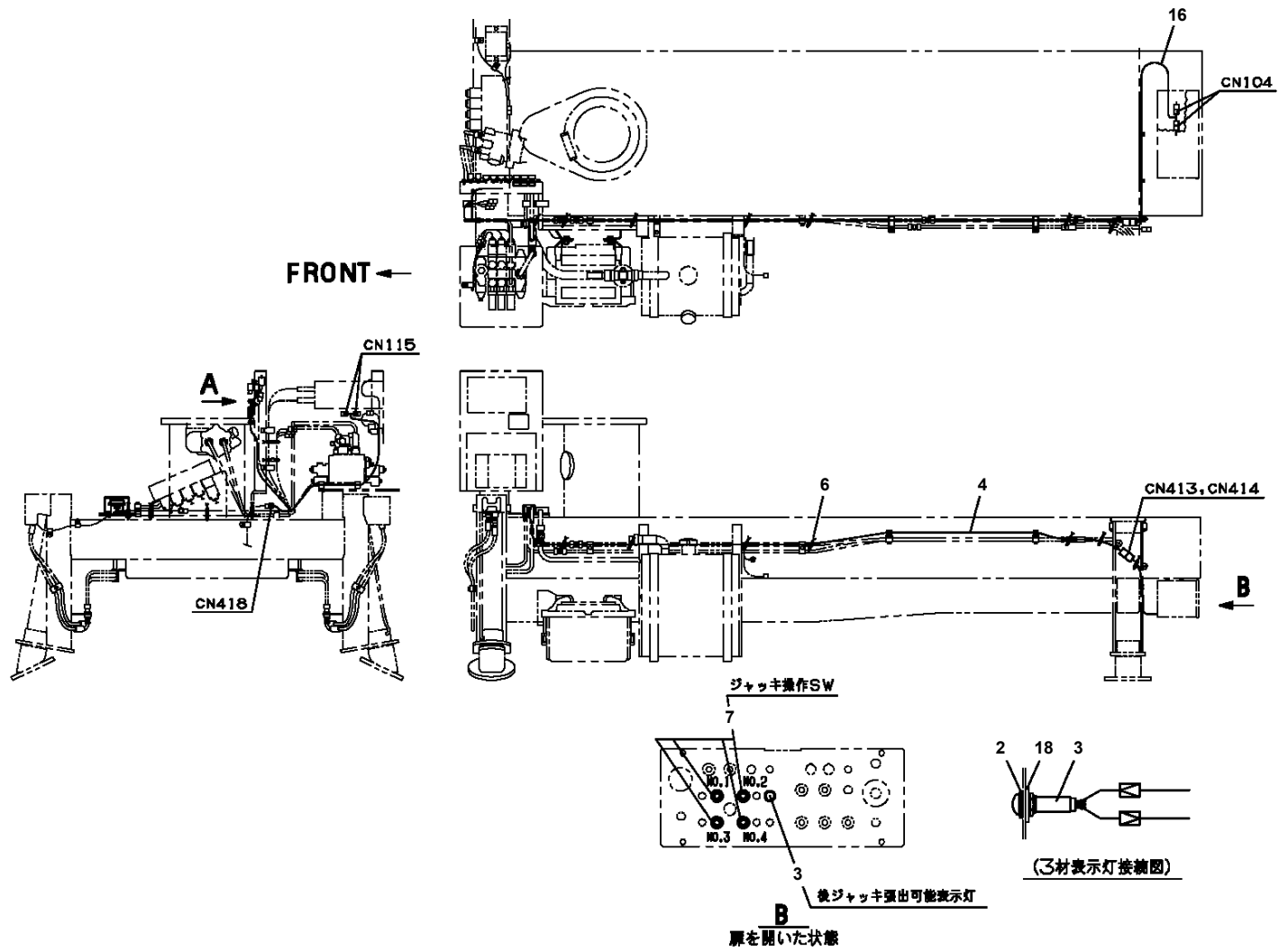
# AT-100-4 42063442341 UPPER/LOWER,ISUZU BKG-NKR85AN-EE5AHY

| Pos No. | Parts No    | Parts Name                               | Qty | Unit | Technical Data | Serial No (Start) | Serial No (End) |
|---------|-------------|--|-----|------|----------------|-------------------|-----------------|
| 1       | 36027519512 | CYLINDER ASSY                            | 1   |      |                |                   |                 |
| 2       | 90302042401 | WASHER,SPRING                            | 1   |      | 24             |                   |                 |
| 3       | 90209402400 | NUT                                      | 1   |      | M24            |                   |                 |
| 4       | 36028490100 | PISTON                                   | 1   |      |                |                   |                 |
| 5       | 91332207500 | BEARING,PLAIN                            | 1   |      |                |                   |                 |
| 6       | 91002802000 | O-RING                                   | 1   |      | 1B P20         |                   |                 |
| 7       | 36027519520 | ROD ASSY                                 | 1   |      |                |                   |                 |
| 8       | 36026159530 | COVER,ROD                                | 1   |      |                |                   |                 |
| 9       | 80612110400 | RING,RITAINING                           | 1   |      | AR40           |                   |                 |
| 10      | 91002907000 | O-RING                                   | 1   |      | 1B G70         |                   |                 |
| 11      | 80801003525 | BEARING,PLAIN                            | 1   |      |                |                   |                 |
| 12      | 91694003500 | PACKING                                  | 1   |      |                |                   |                 |
| 13      | 91410203501 | RING,BACKUP                              | 1   |      |                |                   |                 |
| 14      | 91660003501 | SEAL,DUST                                | 1   |      |                |                   |                 |
| 15      | 82455106000 | NIPPLE,GREASE                            | 1   |      | A-M6F FE       |                   |                 |
| 16      | 90303072401 | WASHER,PLAIN                             | 1   |      | 24             |                   |                 |
| 17      | 80820003020 | BEARING,PLAIN                            | 2   |      |                |                   |                 |
|         | 80820003020 | BEARING,PLAIN                            | 2   |      |                |                   |                 |
| 18      | 91002907500 | O-RING                                   | 1   |      | 1B G75         | HK0142            |                 |
| 19      | 91350307500 | PACKING ASSY (PACKING X2+BACKUP RING X2) | 1   |      |                |                   |                 |
| 41      | 36028499900 | PACKING SET                              | 1   |      | 35X75          |                   |                 |
| 100     | 36028500000 | CYLINDER ASSY,LEVELING                   | 1   |      |                |                   |                 |

# AT-100-4 42063442341 UPPER/LOWER,ISUZU BKG-NKR85AN-EE5AHY

| Pos No. | Parts No    | Parts Name         | Qty | Unit | Technical Data | Serial No (Start) | Serial No (End) | Remarks | P |
|---------|-------------|--------------------|-----|------|----------------|-------------------|-----------------|---------|---|
| 1       | 82456101000 | NIPPLE,GREASE      | 1   |      | A-PT1/8        |                   | HK0228          |         |   |
|         | 82455106000 | NIPPLE,GREASE      | 1   |      | A-M6F FE       | HK0229            |                 |         |   |
| 2       | 80728105040 | PIN,SPRING         | 1   |      |                |                   | HK0021          |         |   |
| 3       | 91302209000 | BEARING,PLAIN      | 2   |      |                |                   |                 |         |   |
| 4       | 91684009001 | PACKING            | 2   |      |                |                   |                 |         |   |
| 5       | 91411207502 | RING,BACKUP        | 2   |      |                |                   |                 |         |   |
| 6       | 91002903500 | O-RING             | 1   |      | 1B G35         |                   |                 |         |   |
| 7       | 36026894000 | PISTON             | 1   |      |                |                   | HK0021          |         |   |
|         | 36027802000 | PISTON             | 1   |      |                | HK0022            |                 |         |   |
| 8       | 36027539510 | ROD ASSY           | 1   |      |                |                   | HK0021          |         |   |
|         | 36027809520 | ROD ASSY           | 1   |      |                | HK0022            |                 |         |   |
| 9       | 36027809510 | CYLINDER ASSY      | 1   |      |                |                   | 219898          |         |   |
|         | 36027809511 | CYLINDER ASSY      | 1   |      |                | 219899            | HK0228          |         |   |
| 10      | 80612110720 | RING,RITAINING     | 1   |      | AR72           |                   |                 |         |   |
| 11      | 37000403650 | BEARING,PLAIN      | 1   |      |                |                   |                 |         |   |
| 12      | 36026899530 | COVER,ROD          | 1   |      |                |                   |                 |         |   |
| 13      | 91002909500 | O-RING             | 1   |      | 1B G95         |                   |                 |         |   |
| 14      | 91694106500 | PACKING            | 1   |      |                |                   |                 |         |   |
| 15      | 91410206503 | RING,BACKUP        | 1   |      |                |                   |                 |         |   |
| 16      | 91660006500 | SEAL,DUST          | 1   |      |                |                   |                 |         |   |
| 17      | 80622000650 | RING,RITAINING     | 1   |      | SP65           |                   |                 |         |   |
| 18      | 80530000114 | BEARING,SPHERICAL  | 1   |      |                |                   |                 |         |   |
| 19      | 80820004040 | BEARING,PLAIN      | 2   |      |                |                   |                 |         |   |
| 21      | 91002910500 | O-RING             | 1   |      | 1B G105        |                   |                 |         |   |
| 22      | 82400000459 | CAP                | 1   |      |                |                   | HK0228          |         |   |
| 23      | 36027809512 | CYLINDER ASSY      | 1   |      |                | HK0229            |                 |         |   |
| 24      | 90730008120 | SCREW,SET          | 1   |      | M8X12          | HK0022            |                 |         |   |
| 50      | 36026899900 | PACKING SET        | 1   |      | 65X90          |                   |                 |         |   |
| 100     | 36027800000 | CYLINDER,ELEVATING | 1   |      |                |                   |                 |         |   |

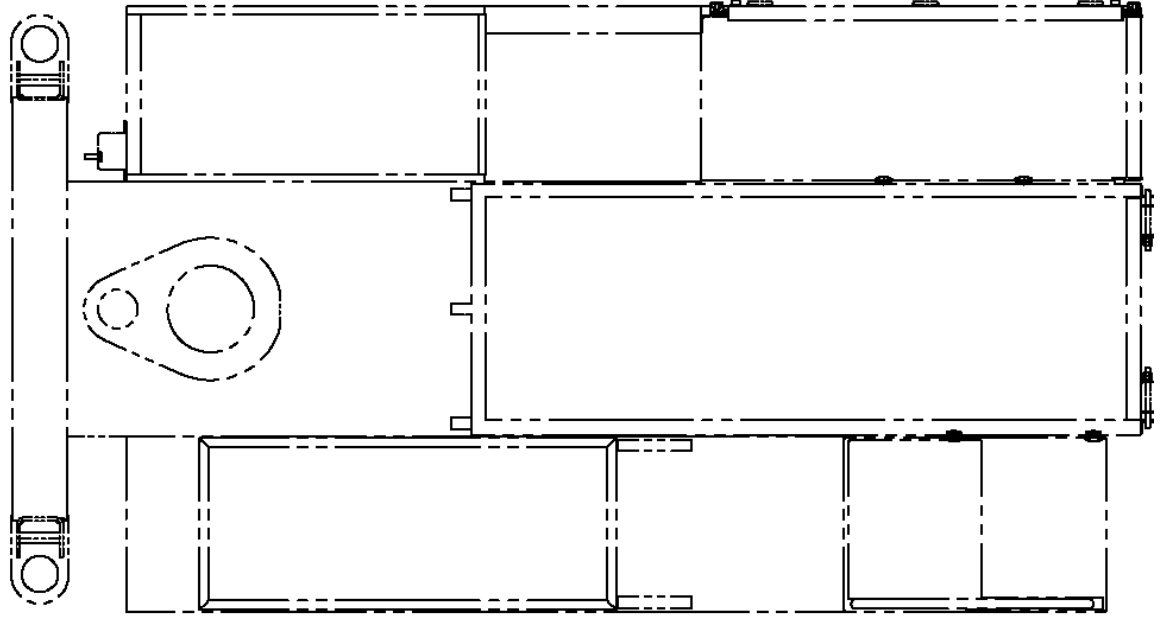
AT-100-4 42063442341 UPPER/LOWER, ISUZU BKG-NKR85AN-EE5AHY  
 PE5020517-01 ELEC.ASSY (FRAME)



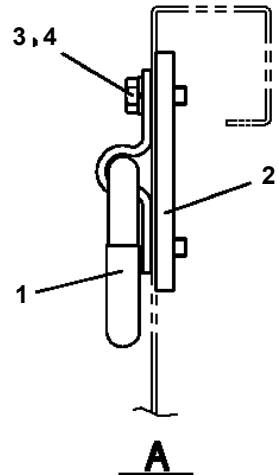
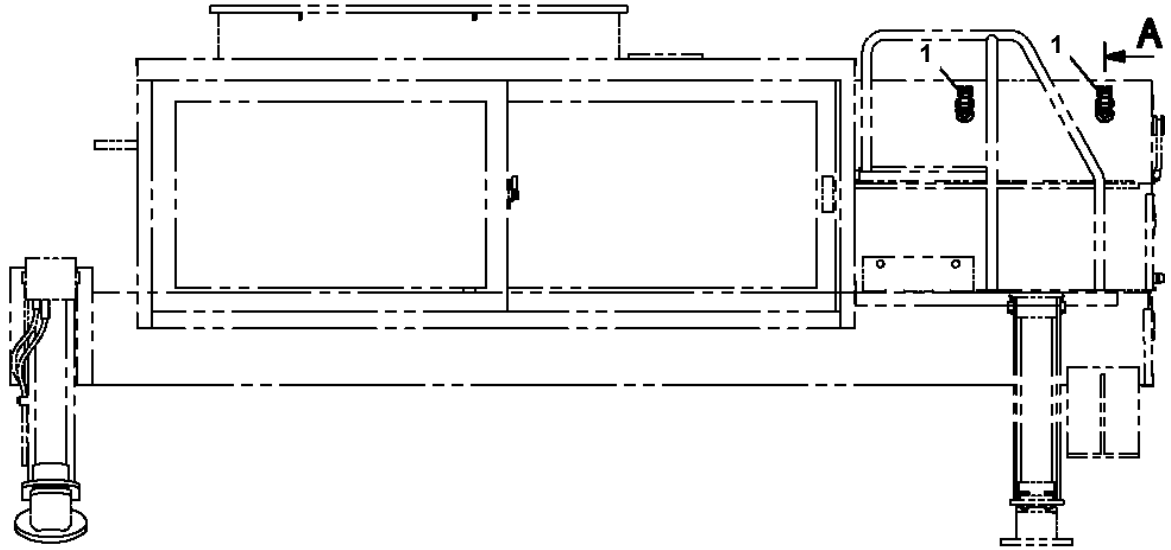
**AT-100-4 42063442341 UPPER/LOWER,ISUZU BKG-NKR85AN-EE5AHY**

| Pos No. | Parts No    | Parts Name                      | Qty | Unit | Technical Data | Serial No (Start) | Serial No (End) |
|---------|-------------|---------------------------------|-----|------|----------------|-------------------|-----------------|
| 1       | 42653673200 | LAMP ASSY (GREEN,WITH HARNESS)  | 1   |      |                |                   |                 |
| 2       | 42433932200 | SWITCH ASSY (WITH HARNESS,1 SW) | 1   |      |                |                   | HK0072          |
|         | 42507124300 | SWITCH ASSY (WITH HARNESS,1 SW) | 1   |      |                | HK0073            |                 |
| 3       | 91810130240 | FASTENER                        | 5   |      |                |                   |                 |
| 4       | 82199514013 | CAP                             | 1   |      |                |                   |                 |
| 5       | 82199504017 | NUT                             | 1   |      | AT-401N        |                   |                 |
| 6       | 42502181100 | HARNESS                         | 1   |      |                |                   |                 |
| 7       | 42507124200 | LAMP ASSY (WITH HARNESS)        | 1   |      |                |                   |                 |
| 8       | 42507124100 | HARNESS                         | 1   |      |                |                   |                 |

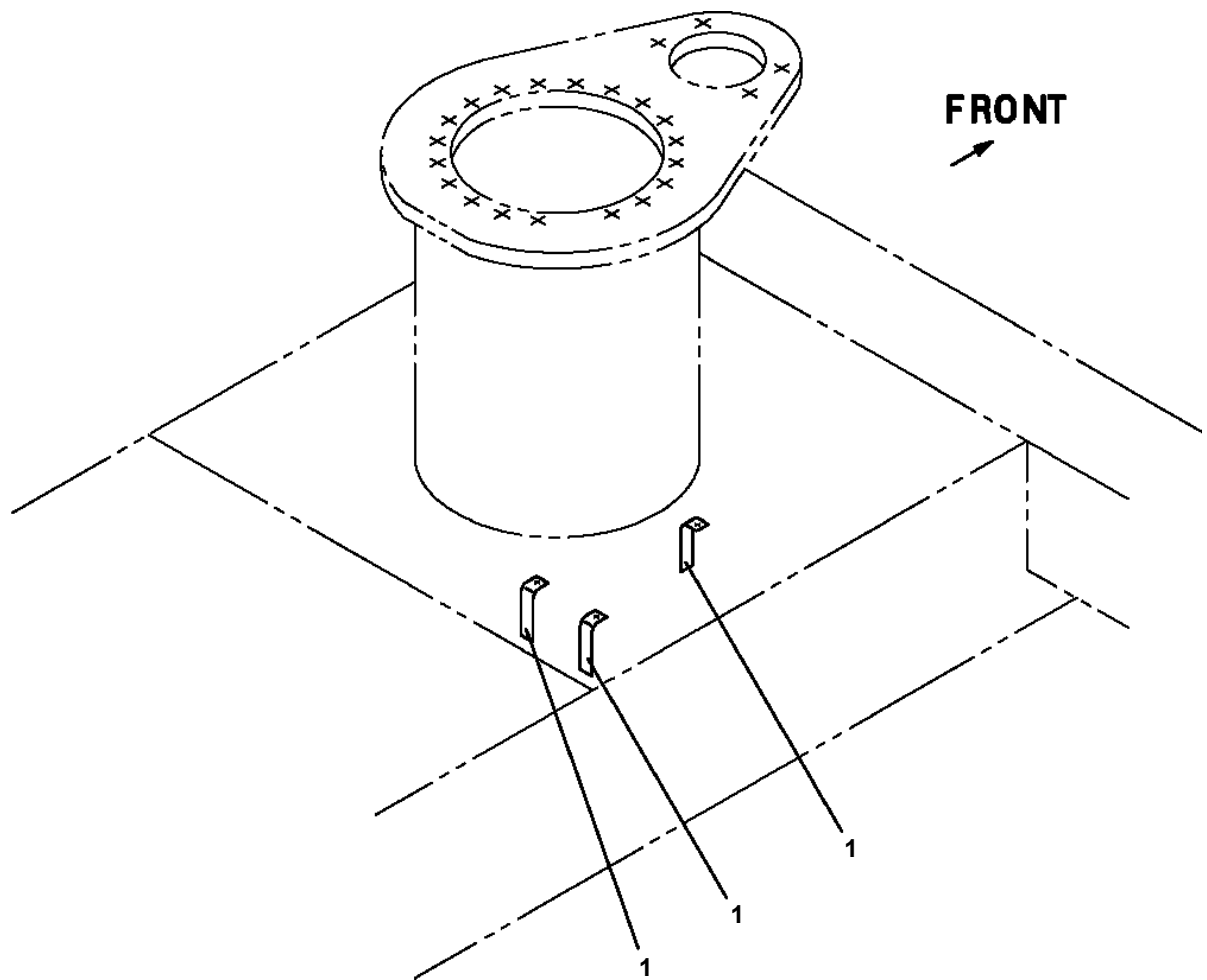
AT-100-4 42063442341 UPPER/LOWER, ISUZU BKG-NKR85AN-EE5AHY  
PF1050555-00 HOOK



FRONT ←



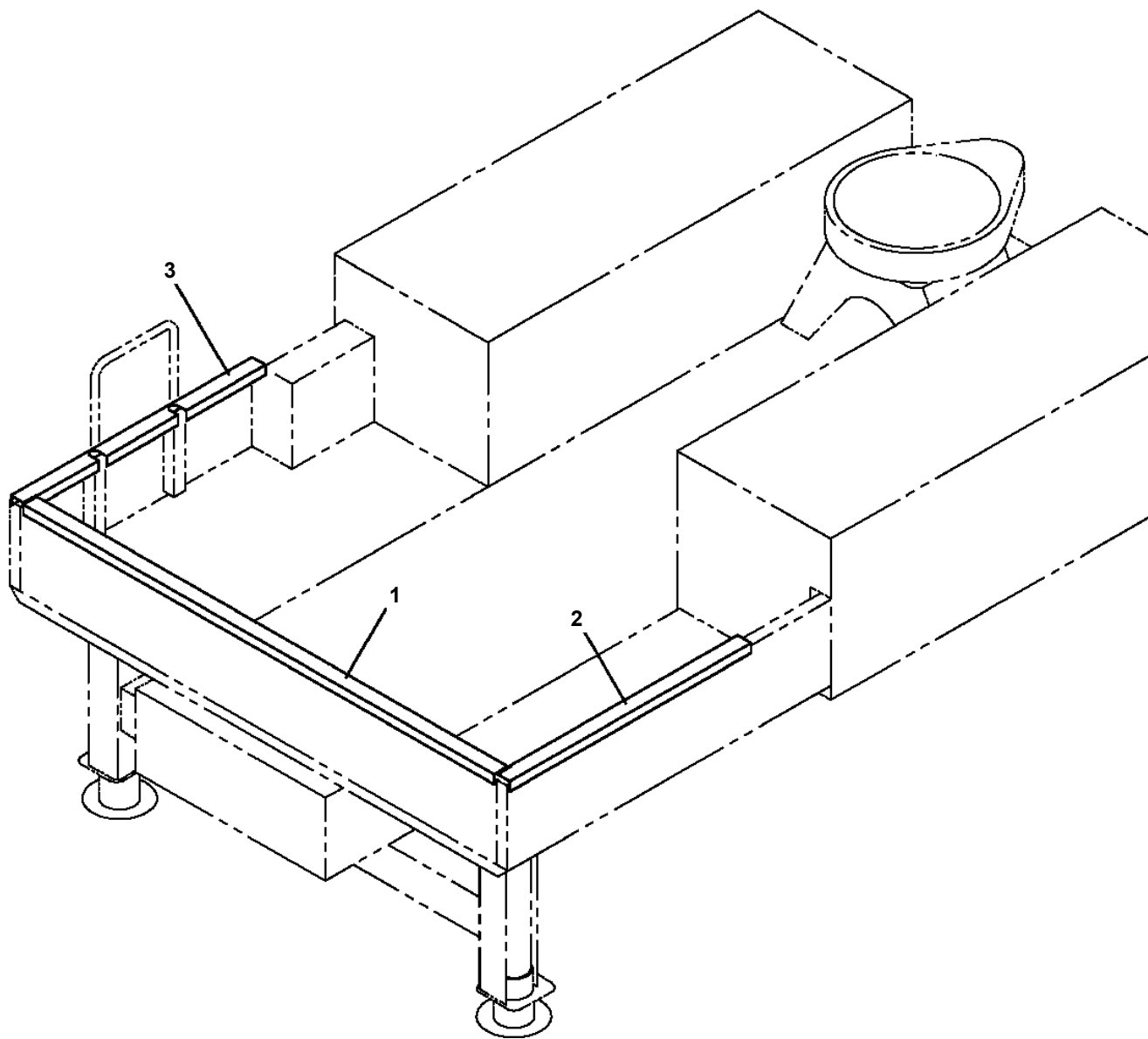
**AT-100-4 42063442341 UPPER/LOWER,ISUZU BKG-NKR85AN-EE5AHY  
PF1080168-00 SUPPORT (FOR RELAY BOX)**



# AT-100-4 42063442341 UPPER/LOWER,ISUZU BKG-NKR85AN-EE5AHY

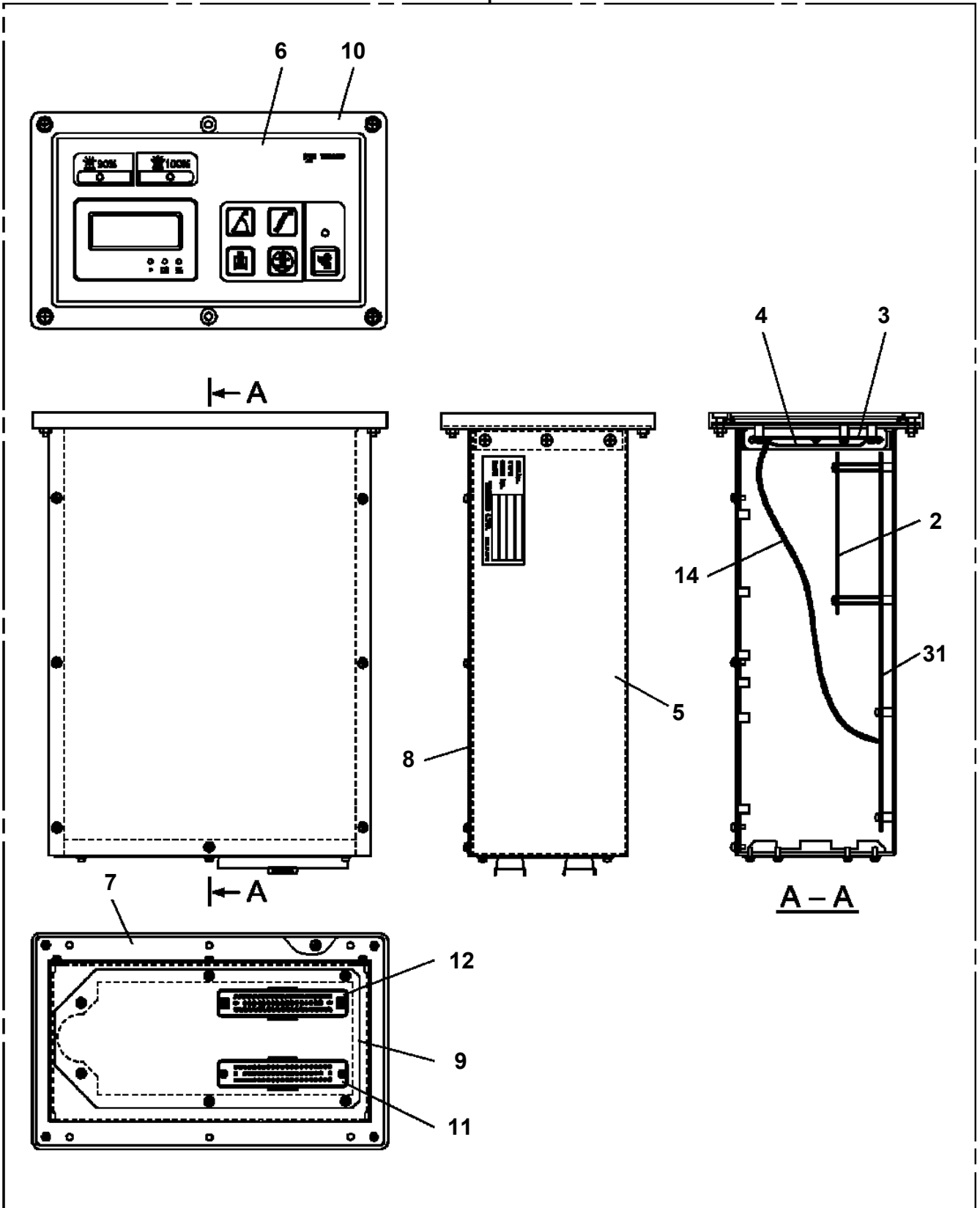
| Pos No. | Parts No    | Parts Name           | Qty | Unit | Technical Data | Serial No (Start) | Serial No (End) | Remark |
|---------|-------------|----------------------|-----|------|----------------|-------------------|-----------------|--------|
| 1       | 91660004001 | SEAL,DUST            | 1   |      |                |                   |                 |        |
| 2       | 91430204001 | RING,BACKUP          | 1   |      |                |                   |                 |        |
| 3       | 91694004000 | PACKING              | 1   |      |                |                   |                 |        |
| 4       | 91002905500 | O-RING               | 1   |      | 1B G55         |                   |                 |        |
| 5       | 36016999510 | COVER,ROD            | 1   |      |                |                   |                 |        |
| 6       | 36018121000 | ROD                  | 1   |      |                |                   |                 |        |
| 7       | 36018122000 | CYLINDER             | 1   |      |                |                   |                 |        |
|         | 36018122001 | CYLINDER             | 1   |      |                | HK2172            | HK2171          |        |
| 8       | 91002902500 | O-RING               | 1   |      | 1B G25         |                   |                 |        |
| 9       | 80801004025 | BEARING,PLAIN        | 1   |      |                |                   |                 |        |
| 10      | 80612110450 | RING,RITAINING       | 1   |      | AR45           |                   |                 |        |
| 11      | 90302042701 | WASHER,SPRING        | 1   |      | 27             |                   |                 |        |
| 12      | 90209202700 | NUT                  | 1   |      | M27X2          |                   |                 |        |
| 13      | 37000114640 | PIN                  | 1   |      |                |                   |                 |        |
| 14      | 37001102380 | ROLLER ASSY          | 1   |      |                |                   |                 |        |
| 15      | 37000311320 | SPACER               | 2   |      | L=4            |                   |                 |        |
| 16      | 80601110150 | RING,RITAINING       | 2   |      | 15             |                   |                 |        |
| 17      | 91302206000 | BEARING,PLAIN        | 2   |      |                |                   |                 |        |
| 18      | 91684006000 | PACKING              | 2   |      |                |                   |                 |        |
| 19      | 36016990200 | PISTON               | 1   |      |                |                   |                 |        |
| 20      | 91431205001 | RING,BACKUP          | 2   |      |                |                   |                 |        |
| 21      | 91002906500 | O-RING               | 1   |      | 1B G65         |                   |                 |        |
| 22      | 36013010200 | PLATE                | 1   |      |                |                   |                 |        |
| 41      | 36018279900 | PACKING SET          | 1   |      | 40X60          |                   |                 |        |
| 51      | 80516006002 | BEARING,BALL         | 1   |      |                |                   |                 |        |
| 52      | 80602110320 | RING,RITAINING       | 1   |      | R32            |                   |                 |        |
| 101     | 36018120000 | CYLINDER,TELESCOPING | 1   |      |                |                   |                 |        |
| 102     | 90303071201 | WASHER,PLAIN         | 4   |      | 12             |                   |                 |        |
| 103     | 90172108065 | BOLT,HEXAGON SOCKET  | 3   |      | M8X65          |                   |                 |        |
| 104     | 36605510001 | VALVE,COUNTERBALANCE | 1   |      |                |                   |                 |        |
| 105     | 90201201200 | NUT                  | 6   |      | M12            |                   |                 |        |
| 106     | 90171212080 | BOLT                 | 2   |      | M12X80         |                   |                 |        |

**AT-100-4 42063442341 UPPER/LOWER,ISUZU BKG-NKR85AN-EE5AHY  
PG5200048-00 GUARD ASSY (GATE PROTECTOR/AT-100TT,TTE,AT-110TTE-5)**



AT-100-4 42063442341 UPPER/LOWER, ISUZU BKG-NKR85AN-EE5AHY  
PH1480045-00 MOTION CONTROLLER (AMC)

100



**AT-100-4 42063442341 UPPER/LOWER,ISUZU BKG-NKR85AN-EE5AHY**

| Pos No. | Parts No    | Parts Name   | Qty | Unit | Technical Data | Serial No (Start) | Serial No (End) | Remarks | Pages  |
|---------|-------------|--------------|-----|------|----------------|-------------------|-----------------|---------|--------|
| 1       | 42970890100 | HARNESS      | 1   |      |                |                   |                 |         | 000123 |
| 2       | 82100002596 | RELAY        | 1   |      |                |                   |                 |         |        |
| 3       | 90101206016 | BOLT         | 2   |      | M6X16          |                   |                 |         |        |
| 5       | 91810132530 | FASTENER     | 7   |      |                |                   |                 |         |        |
| 6       | 82100002597 | RELAY        | 1   |      |                |                   |                 |         |        |
| 7       | 90303070601 | WASHER,PLAIN | 2   |      | 6              |                   |                 |         |        |
| 8       | 42934710100 | HARNESS      | 1   |      | L=4060         |                   |                 |         |        |
| 9       | 82114113080 | CONNECTOR    | 1   |      |                |                   |                 |         |        |
| 10      | 82400000516 | FASTENER     | 2   |      |                |                   |                 |         |        |

**AT-100-4 42063442341 UPPER/LOWER,ISUZU BKG-NKR85AN-EE5AHY**

| Pos No. | Parts No    | Parts Name  | Qty | Unit | Technical Data | Serial No (Start) | Serial No (End) | Remarks | Pages  |
|---------|-------------|-------------|-----|------|----------------|-------------------|-----------------|---------|--------|
| 1       | 42739991100 | VIEW SYSTEM | 1   |      |                |                   |                 |         | 000107 |
| 2       | 91810130240 | FASTENER    | 10  |      |                |                   | HK1600          |         |        |
|         | 91810130240 | FASTENER    | 15  |      |                | HK1601            |                 |         |        |
| 4       | 82100001242 | TERMINAL    | 1   |      |                | HK1226            |                 |         |        |
| 5       | 82100001221 | INSULATOR   | 1   |      |                | HK1226            |                 |         |        |
| 6       | 82115001002 | CONNECTOR   | 2   |      |                | HK1226            |                 |         |        |

**AT-100-4 42063442341 UPPER/LOWER,ISUZU BKG-NKR85AN-EE5AHY**

| Pos No. | Parts No | Parts Name            | Qty | Unit | Technical Data | Serial No (Start) | Serial No (End) | Remarks | I |
|---------|----------|-----------------------|-----|------|----------------|-------------------|-----------------|---------|---|
| 1       | (*****)  | VIEW SYSTEM (MONITOR) | 1   |      |                |                   |                 |         | 0 |
| 2       | (*****)  | VIEW SYSTEM (CAMERA)  | 1   |      |                |                   |                 |         | 0 |

**AT-100-4 42063442341 UPPER/LOWER,ISUZU BKG-NKR85AN-EE5AHY**

| Pos No. | Parts No    | Parts Name          | Qty | Unit | Technical Data | Serial No (Start) | Serial No (End) | Remarks |
|---------|-------------|---------------------|-----|------|----------------|-------------------|-----------------|---------|
| 2       | 42739697510 | CABLE ASSY          | 1   |      |                |                   |                 |         |
| 3       | 42739697540 | CABLE ASSY          | 1   |      |                |                   |                 |         |
| 4       | 42739697520 | CLIP                | 1   |      |                |                   |                 |         |
| 5       | 42739697530 | REMOTE CONTROL ASSY | 1   |      |                |                   |                 |         |
| 100     | 42739693110 | DISPLAY             | 1   |      |                |                   |                 |         |

**AT-100-4 42063442341 UPPER/LOWER,ISUZU BKG-NKR85AN-EE5AHY**

| Pos No. | Parts No    | Parts Name | Qty | Unit | Technical Data | Serial No (Start) | Serial No (End) | Remarks | Pages |
|---------|-------------|------------|-----|------|----------------|-------------------|-----------------|---------|-------|
| 100     | 42935970100 | HARNESS    | 1   |      |                |                   |                 |         |       |

**AT-100-4 42063442341 UPPER/LOWER,ISUZU BKG-NKR85AN-EE5AHY**

| Pos No. | Parts No    | Parts Name | Qty | Unit | Technical Data | Serial No (Start) | Serial No (End) | Remarks | Pages |
|---------|-------------|------------|-----|------|----------------|-------------------|-----------------|---------|-------|
| 1       | 82182819834 | DIODE      | 1   |      | 1.5A           |                   |                 |         |       |
| 10      | 42509571100 | HARNESS    | 1   |      |                |                   |                 |         |       |

**AT-100-4 42063442341 UPPER/LOWER,ISUZU BKG-NKR85AN-EE5AHY**

| Pos No. | Parts No    | Parts Name               | Qty | Unit | Technical Data | Serial No (Start) | Serial No (End) | Rema |
|---------|-------------|--------------------------|-----|------|----------------|-------------------|-----------------|------|
| 100     | 42837372200 | HARNESS (RIGHT TOOL BOX) | 1   |      |                |                   |                 |      |
|         | 42837372200 | HARNESS (RIGHT TOOL BOX) | 1   |      |                |                   |                 |      |

# AT-100-4 42063442341 UPPER/LOWER,ISUZU BKG-NKR85AN-EE5AHY

| Pos No. | Parts No    | Parts Name | Qty | Unit | Technical Data | Serial No (Start) | Serial No (End) | Remarks | Pages |
|---------|-------------|------------|-----|------|----------------|-------------------|-----------------|---------|-------|
| 100     | 42509572100 | HARNESS    | 1   |      |                |                   |                 |         |       |

# AT-100-4 42063442341 UPPER/LOWER,ISUZU BKG-NKR85AN-EE5AHY

| Pos No. | Parts No    | Parts Name | Qty | Unit | Technical Data | Serial No (Start) | Serial No (End) | Remarks | Pages |
|---------|-------------|------------|-----|------|----------------|-------------------|-----------------|---------|-------|
| 100     | 42970870401 | HARNESS    | 1   |      |                |                   |                 |         |       |

# AT-100-4 42063442341 UPPER/LOWER,ISUZU BKG-NKR85AN-EE5AHY

| Pos No. | Parts No    | Parts Name | Qty | Unit | Technical Data | Serial No (Start) | Serial No (End) | Remarks | Pages |
|---------|-------------|------------|-----|------|----------------|-------------------|-----------------|---------|-------|
| 100     | 42509011100 | HARNESS    | 1   |      |                |                   |                 |         |       |

**AT-100-4 42063442341 UPPER/LOWER,ISUZU BKG-NKR85AN-EE5AHY**

| Pos No. | Parts No    | Parts Name | Qty | Unit | Technical Data | Serial No (Start) | Serial No (End) | Remarks | Pages |
|---------|-------------|------------|-----|------|----------------|-------------------|-----------------|---------|-------|
| 100     | 42839073100 | HARNESS    | 1   |      |                |                   |                 |         |       |

# AT-100-4 42063442341 UPPER/LOWER,ISUZU BKG-NKR85AN-EE5AHY

| Pos No. | Parts No    | Parts Name | Qty | Unit | Technical Data | Serial No (Start) | Serial No (End) | Remarks | Pages |
|---------|-------------|------------|-----|------|----------------|-------------------|-----------------|---------|-------|
| 100     | 42837373100 | HARNESS    | 1   |      |                |                   |                 |         |       |

# AT-100-4 42063442341 UPPER/LOWER,ISUZU BKG-NKR85AN-EE5AHY

| Pos No. | Parts No    | Parts Name | Qty | Unit | Technical Data | Serial No (Start) | Serial No (End) | Remarks | Pages |
|---------|-------------|------------|-----|------|----------------|-------------------|-----------------|---------|-------|
| 1       | 42332521400 | HARNESS    | 1   |      |                |                   |                 |         |       |

**AT-100-4 42063442341 UPPER/LOWER,ISUZU BKG-NKR85AN-EE5AHY**

| Pos No. | Parts No    | Parts Name | Qty | Unit | Technical Data | Serial No (Start) | Serial No (End) | Remarks | Pages |
|---------|-------------|------------|-----|------|----------------|-------------------|-----------------|---------|-------|
| 100     | 42502382100 | HARNESS    | 1   |      |                |                   |                 |         |       |

**AT-100-4 42063442341 UPPER/LOWER,ISUZU BKG-NKR85AN-EE5AHY**

| Pos No. | Parts No    | Parts Name | Qty | Unit | Technical Data | Serial No (Start) | Serial No (End) | Remarks | Pages |
|---------|-------------|------------|-----|------|----------------|-------------------|-----------------|---------|-------|
| 1       | 82460027203 | HANDLE     | 1   |      |                |                   |                 |         |       |

**AT-100-4 42063442341 UPPER/LOWER,ISUZU BKG-NKR85AN-EE5AHY**

| Pos No. | Parts No    | Parts Name | Qty | Unit | Technical Data | Serial No (Start) | Serial No (End) | Remarks | Pages |
|---------|-------------|------------|-----|------|----------------|-------------------|-----------------|---------|-------|
| 1       | 82460027208 | HANDLE     | 1   |      |                |                   |                 |         |       |

**AT-100-4 42063442341 UPPER/LOWER,ISUZU BKG-NKR85AN-EE5AHY**

| Pos No. | Parts No    | Parts Name   | Qty | Unit | Technical Data | Serial No (Start) | Serial No (End) | Remarks | Pages |
|---------|-------------|--------------|-----|------|----------------|-------------------|-----------------|---------|-------|
| 4       | 36606405050 | PLUG         | 2   |      |                |                   | HK0101          |         |       |
| 5       | 91002902500 | O-RING       | 4   |      | 1B G25         |                   |                 |         |       |
| 6       | 36606655020 | SPRING       | 2   |      |                |                   |                 |         |       |
| 7       | 36606405070 | SPACER       | 2   |      |                |                   |                 |         |       |
| 8       | 80316090020 | PLUG         | 2   |      | KKT PT1/8      |                   |                 |         |       |
| 10      | 36606405052 | PLUG         | 2   |      |                | HK0102            |                 |         |       |
| 51      | 36606669010 | POPPET ASSY  | 2   |      |                |                   |                 |         |       |
| 100     | 36606650000 | VALVE,RELIEF | 1   |      |                |                   |                 |         |       |

**AT-100-4 42063442341 UPPER/LOWER,ISUZU BKG-NKR85AN-EE5AHY**

| Pos No. | Parts No    | Parts Name  | Qty | Unit | Technical Data | Serial No (Start) | Serial No (End) | Remarks | Pages |
|---------|-------------|-------------|-----|------|----------------|-------------------|-----------------|---------|-------|
| 12      | 91002801400 | O-RING      | 2   |      | 1B P14         |                   |                 |         |       |
| 100     | 36625740001 | VALVE,CHECK | 1   |      |                |                   |                 |         |       |

**AT-100-4 42063442341 UPPER/LOWER,ISUZU BKG-NKR85AN-EE5AHY**

| Pos No. | Parts No | Parts Name                           | Qty | Unit | Technical Data | Serial No (Start) | Serial No |
|---------|----------|--------------------------------------|-----|------|----------------|-------------------|-----------|
| 1       | (*****)  | ELEC.ASSY (FRAME)                    | 1   |      |                |                   |           |
| 3       | (*****)  | NAME PLATE ASSY (RUNAWAY PREVENTION) | 1   |      |                |                   |           |

**AT-100-4 42063442341 UPPER/LOWER,ISUZU BKG-NKR85AN-EE5AHY**

| Pos No. | Parts No    | Parts Name                  | Qty | Unit | Technical Data | Serial No (Start) | Serial No (End) | R |
|---------|-------------|-----------------------------|-----|------|----------------|-------------------|-----------------|---|
| 1       | 42266920101 | BUCKET (WHITE/WITHOUT BOSS) | 1   |      |                |                   |                 |   |

CLICK HERE TO **DOWNLOAD** THE COMPLETE MANUAL

- Thank you very much for reading the preview of the manual.
- You can download the complete manual from: [www.heydownloads.com](http://www.heydownloads.com) by clicking the link below



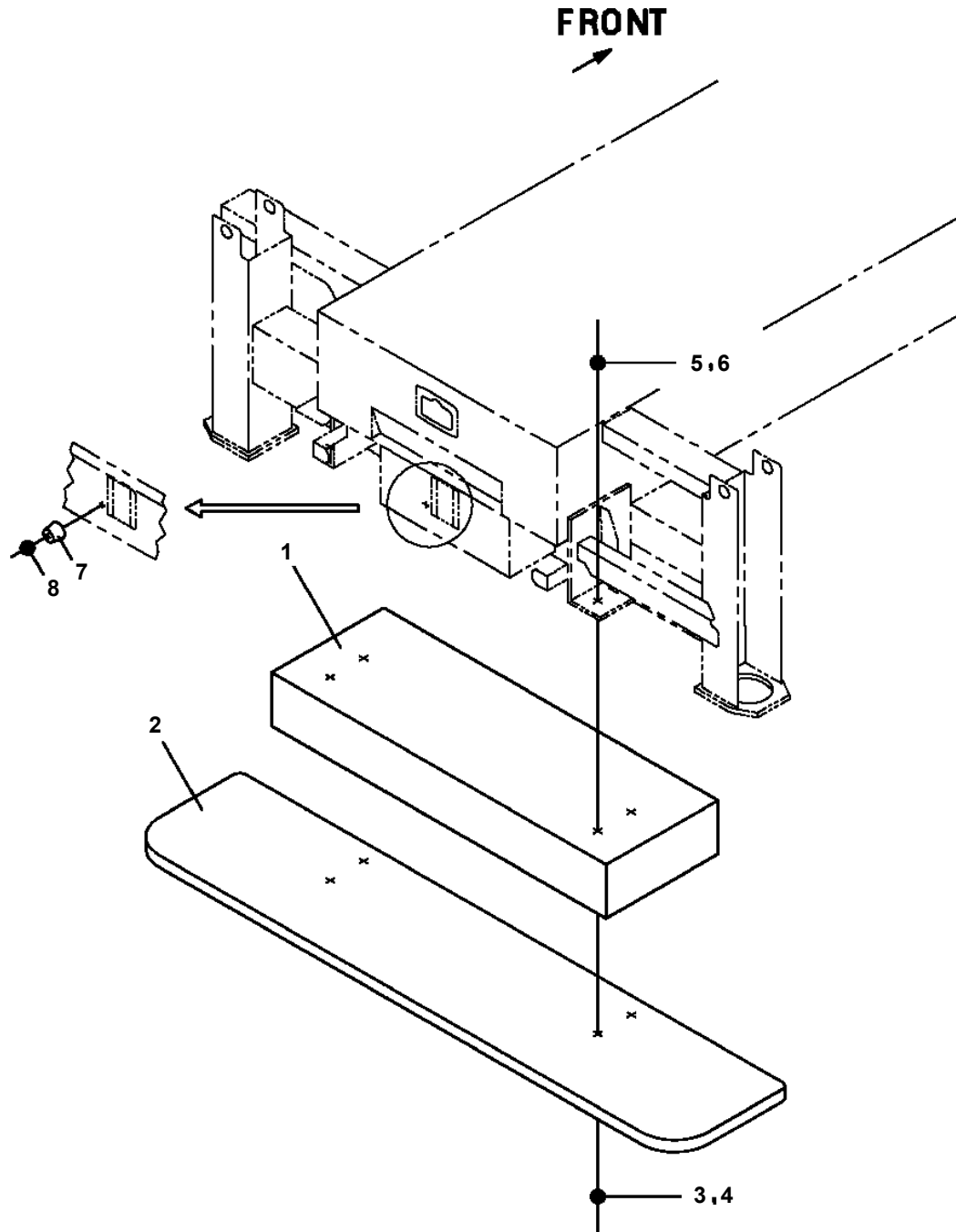
- Please note: If there is no response to CLICKING the link, please download this PDF first and then click on it.

CLICK HERE TO **DOWNLOAD** THE COMPLETE MANUAL

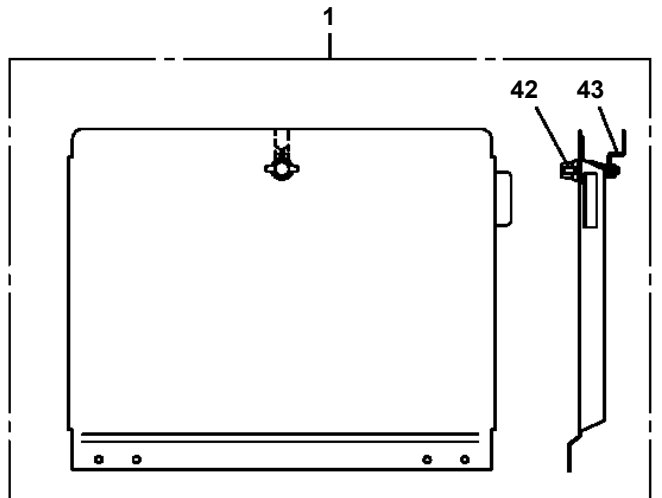
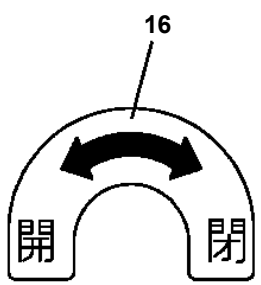
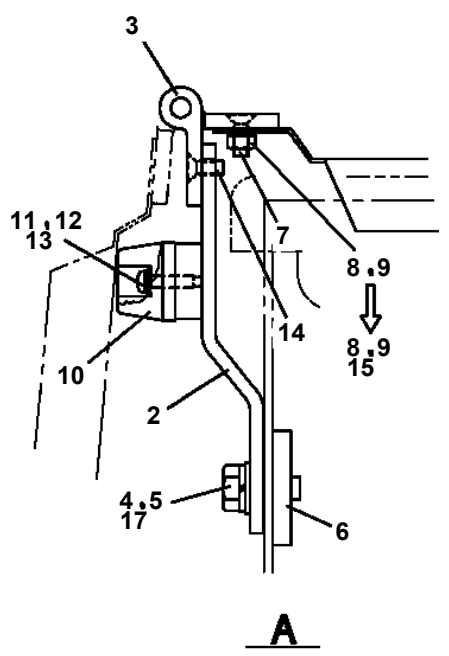
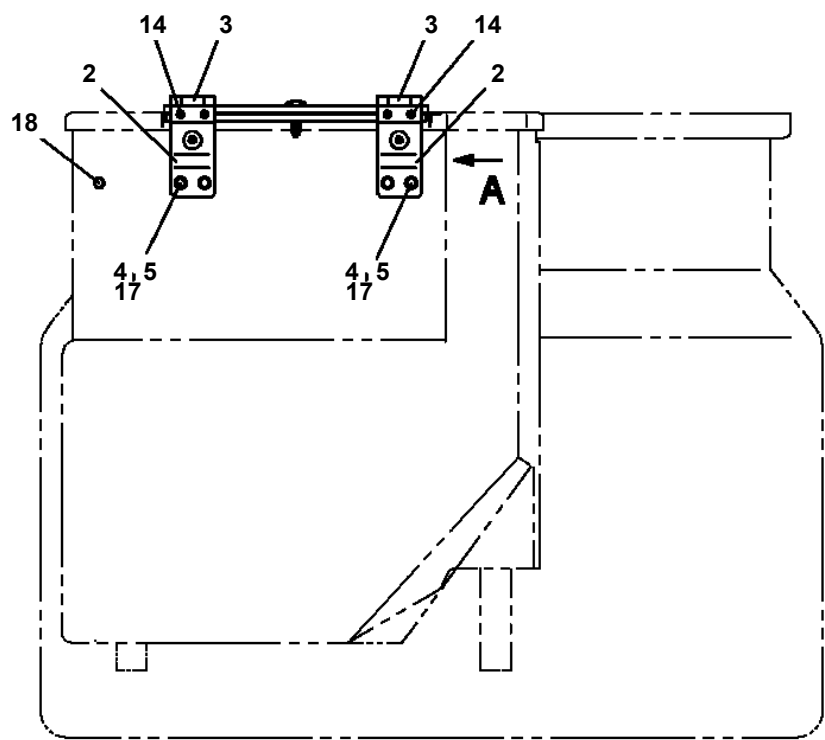
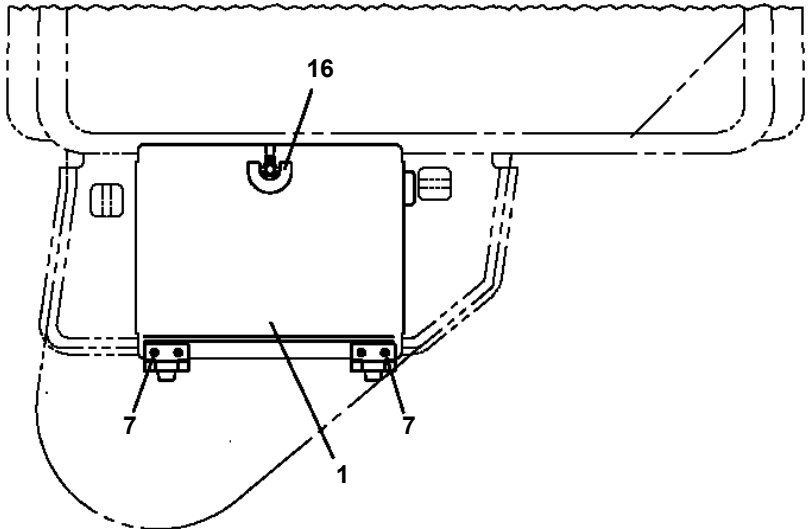
**AT-100-4 42063442341 UPPER/LOWER,ISUZU BKG-NKR85AN-EE5AHY**

| Pos No. | Parts No    | Parts Name                | Qty | Unit | Technical Data | Serial No (Start) | Serial No (End) | Rem |
|---------|-------------|---------------------------|-----|------|----------------|-------------------|-----------------|-----|
| 1       | 42266640101 | BUCKET (WHITE/DRAIN HOLE) | 1   |      |                |                   |                 |     |
| 2       | 42477661000 | MAT                       | 1   |      |                |                   |                 |     |

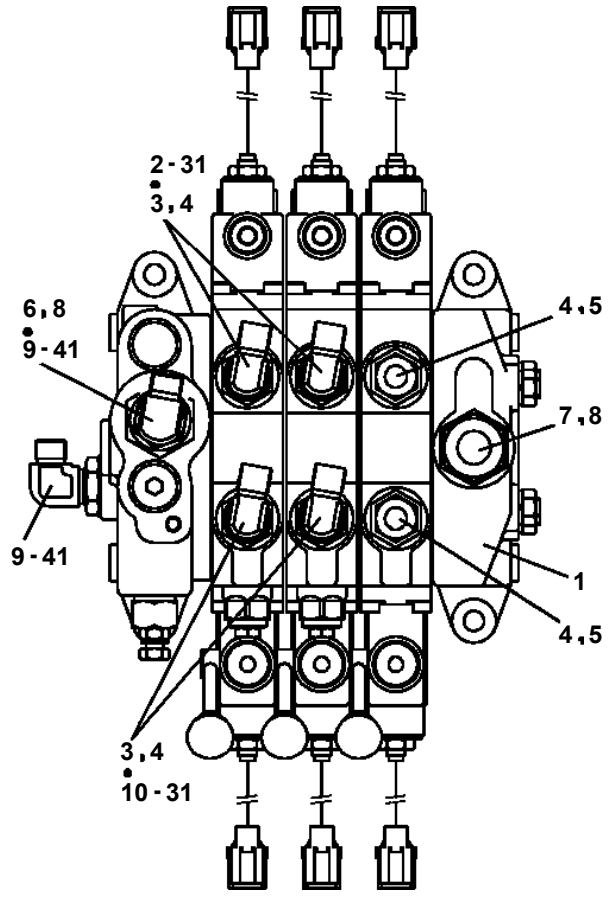
AT-100-4 42063442341 UPPER/LOWER,ISUZU BKG-NKR85AN-EE5AHY  
PK1230189-01 WEIGHT



**AT-100-4 42063442341 UPPER/LOWER, ISUZU BKG-NKR85AN-EE5AHY  
PK1330444-01 COVER (UPPER CONTROLS)**



**AT-100-4 42063442341 UPPER/LOWER,ISUZU BKG-NKR85AN-EE5AHY  
PL1250052-00 VALVE,CONTROL**



**AT-100-4 42063442341 UPPER/LOWER,ISUZU BKG-NKR85AN-EE5AHY**

| Pos No. | Parts No    | Parts Name | Qty | Unit | Technical Data | Serial No (Start) | Serial No (End) | Remarks | Pages |
|---------|-------------|------------|-----|------|----------------|-------------------|-----------------|---------|-------|
| 1       | 42332897530 | JOY STICK  | 1   |      |                |                   |                 |         |       |
| 2       | 42332897520 | JOY STICK  | 1   |      |                |                   |                 |         |       |
| 3       | 42332897730 | PANEL      | 1   |      |                |                   |                 |         |       |
| 11      | 42331247590 | BOOT       | 2   |      |                |                   |                 |         |       |
| 100     | 42332892500 | OPE.ASSY   | 1   |      |                |                   |                 |         |       |

# AT-100-4 42063442341 UPPER/LOWER,ISUZU BKG-NKR85AN-EE5AHY

| Pos No. | Parts No    | Parts Name                     | Qty | Unit | Technical Data | Serial No (Start) | Serial No (End) |
|---------|-------------|--------------------------------|-----|------|----------------|-------------------|-----------------|
| 1       | 42839551030 | LOCK ASSY (U9SL99-2,ASSY ONLY) | 2   |      |                |                   |                 |
| 2       | 82460027204 | HANDLE                         | 2   |      |                |                   |                 |

**AT-100-4 42063442341 UPPER/LOWER,ISUZU BKG-NKR85AN-EE5AHY**

| Pos No. | Parts No    | Parts Name                     | Qty | Unit | Technical Data | Serial No (Start) | Serial No (End) |
|---------|-------------|--------------------------------|-----|------|----------------|-------------------|-----------------|
| 1       | 42839551080 | LOCK ASSY (U9SL99-2,ASSY ONLY) | 2   |      |                |                   |                 |
| 2       | 82460027209 | HANDLE                         | 2   |      |                |                   |                 |

**AT-100-4 42063442341 UPPER/LOWER,ISUZU BKG-NKR85AN-EE5AHY**

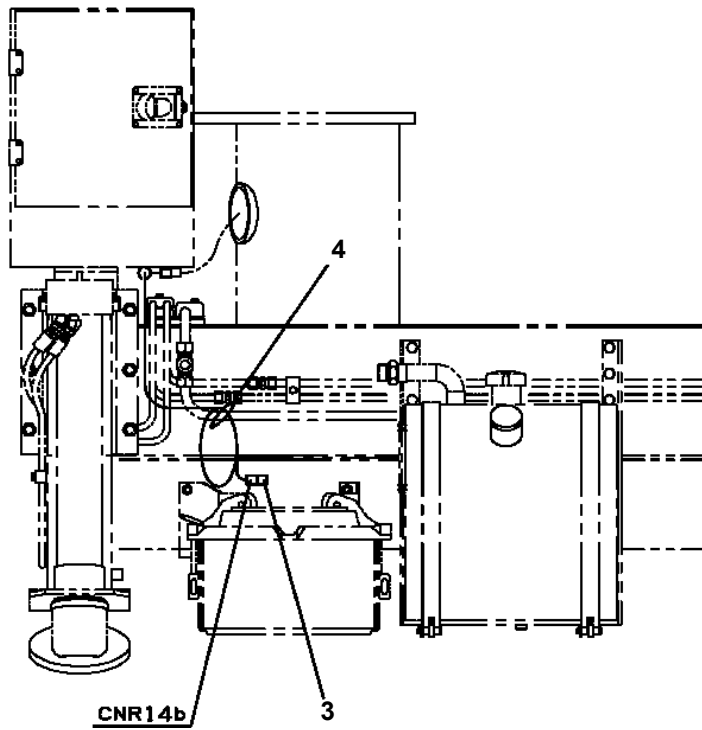
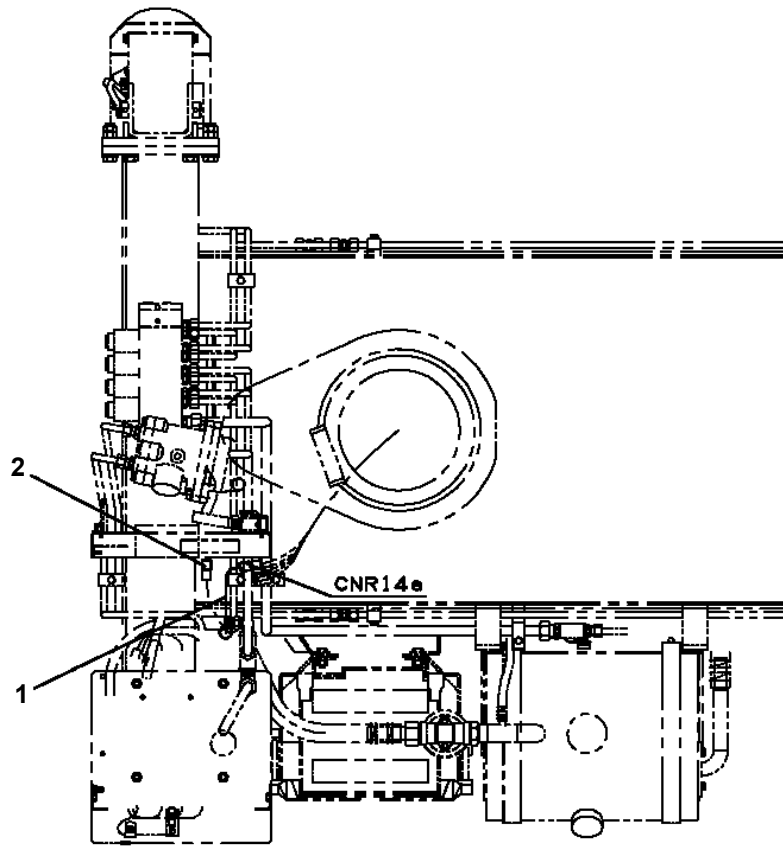
| Pos No. | Parts No    | Parts Name | Qty | Unit | Technical Data | Serial No (Start) | Serial No (End) | Remarks | Pages |
|---------|-------------|------------|-----|------|----------------|-------------------|-----------------|---------|-------|
| 1       | 42509841100 | SUPPORT    | 1   |      |                |                   |                 |         |       |

# AT-100-4 42063442341 UPPER/LOWER,ISUZU BKG-NKR85AN-EE5AHY

| Pos No. | Parts No    | Parts Name     | Qty | Unit | Technical Data | Serial No (Start) | Serial No (End) | Remarks | Pages |
|---------|-------------|----------------|-----|------|----------------|-------------------|-----------------|---------|-------|
| 1       | 42355791000 | DETECTOR,ANGLE | 1   |      |                |                   |                 |         |       |
| 2       | 80172805014 | SCREW,MACHINE  | 2   |      | M5X14          |                   |                 |         |       |
| 3       | 90303520501 | WASHER,PLAIN   | 4   |      | 5              |                   |                 |         |       |
| 4       | 90201500500 | NUT            | 2   |      | M5             |                   |                 |         |       |
| 5       | 90302510501 | WASHER,SPRING  | 2   |      | 5              |                   |                 |         |       |
| 6       | 42355790100 | SUPPORT        | 1   |      |                |                   |                 |         |       |
| 7       | 90101206010 | BOLT           | 2   |      | M6X1.0         |                   | HK0296          |         |       |
|         | 90101206010 | BOLT           | 1   |      | M6X1.0         | HK0297            |                 |         |       |
| 8       | 90302040601 | WASHER,SPRING  | 2   |      | 6              |                   | HK0296          |         |       |
|         | 90302040601 | WASHER,SPRING  | 1   |      | 6              | HK0297            |                 |         |       |
| 15      | 90302040801 | WASHER,SPRING  | 1   |      | 8              |                   |                 |         |       |
| 16      | 90180208014 | BOLT,BUTTON    | 1   |      | M8X14          |                   |                 |         |       |
| 17      | 42355790300 | SUPPORT        | 1   |      |                |                   |                 |         |       |
| 18      | 82100002002 | CLAMP          | 4   |      | WR6            |                   |                 |         |       |
| 19      | 91810130240 | FASTENER       | 10  |      |                |                   |                 |         |       |
| 20      | 90280200800 | NUT,FLANGE     | 3   |      | M8             |                   |                 |         |       |
| 21      | 90303070601 | WASHER,PLAIN   | 1   |      | 6              |                   | HK0296          |         |       |
| 22      | 90710005080 | SCREW,SET      | 1   |      | M5X8           |                   |                 |         |       |
| 23      | 90101206012 | BOLT           | 1   |      | M6X12          | HK0297            |                 |         |       |
| 24      | 90201200600 | NUT            | 1   |      | M6             | HK0297            |                 |         |       |

AT-100-4 42063442341 UPPER/LOWER, ISUZU BKG-NKR85AN-EE5AHY  
PN1014285-00 ELEC. ASSY (INVERTER)

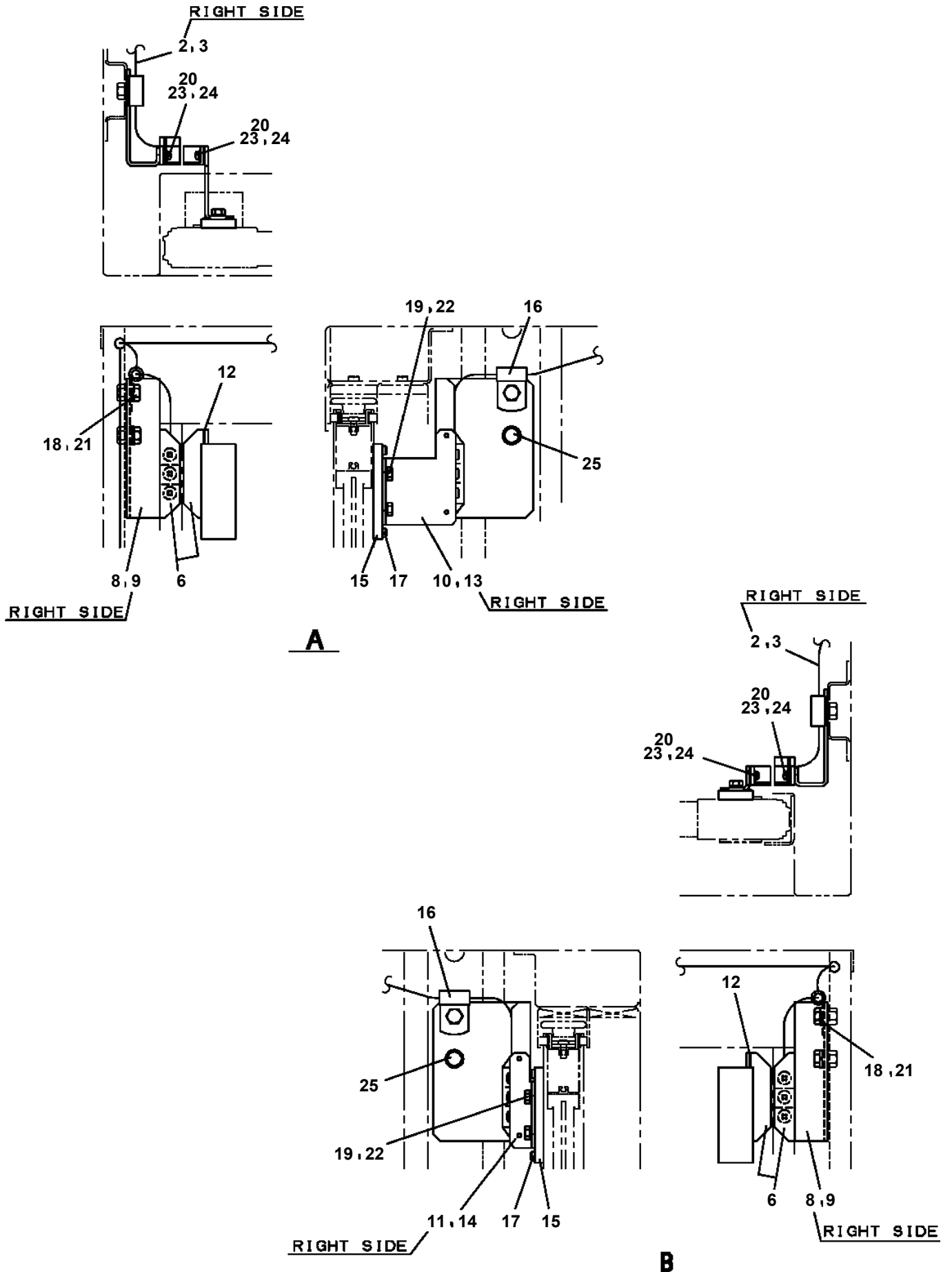
FRONT ←



# AT-100-4 42063442341 UPPER/LOWER,ISUZU BKG-NKR85AN-EE5AHY

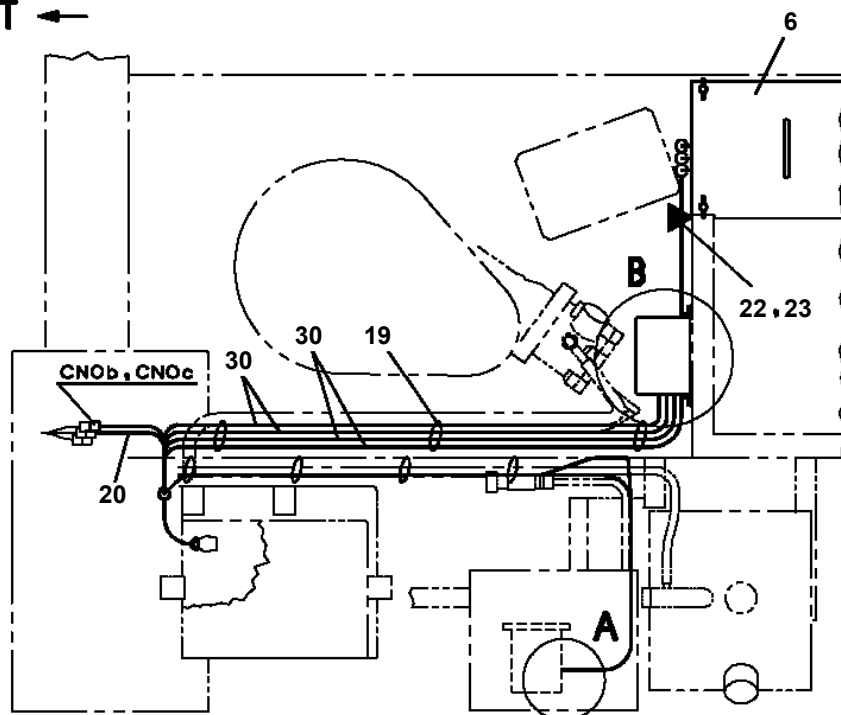
| Pos No. | Parts No    | Parts Name                  | Qty | Unit | Technical Data | Serial No (Start) | Serial No (End) |
|---------|-------------|-----------------------------|-----|------|----------------|-------------------|-----------------|
| 1       | (*****)     | RELAY ASSY                  | 1   |      |                |                   |                 |
| 4       | 42653900200 | HARNESS                     | 1   |      |                |                   | HK0007          |
|         | 42653900201 | HARNESS                     | 1   |      |                | HK0008            |                 |
| 5       | 80192484016 | SCREW,MACHINE               | 6   |      | M4X16          |                   |                 |
| 6       | 80175304014 | SCREW,MACHINE               | 4   |      | M4X14          |                   |                 |
| 7       | 90201200600 | NUT                         | 6   |      | M6             |                   |                 |
| 8       | 90302040601 | WASHER,SPRING               | 8   |      | 6              |                   |                 |
| 10      | 80182306010 | SCREW,MACHINE               | 2   |      | M6X10          |                   |                 |
| 11      | 80192486014 | SCREW,MACHINE (WITH WASHER) | 5   |      | M6X14          |                   | HK0007          |
|         | 80192486014 | SCREW,MACHINE (WITH WASHER) | 4   |      | M6X14          | HK0008            |                 |
| 12      | 82100002017 | CLAMP                       | 1   |      | WR30           |                   |                 |
| 13      | 82100002016 | CLAMP                       | 3   |      | WR25           |                   |                 |
| 14      | 82100002006 | CLAMP                       | 4   |      | WR10           |                   |                 |
| 15      | 90303070801 | WASHER,PLAIN                | 1   |      | 8              |                   |                 |
| 16      | 90302040801 | WASHER,SPRING               | 13  |      | 8              |                   |                 |
| 17      | 90201200800 | NUT                         | 8   |      | M8             |                   |                 |
| 18      | 82100002014 | CLAMP                       | 1   |      | WR20           |                   |                 |
| 19      | 44430680200 | BUZZER ASSY (WITH HARNESS)  | 1   |      |                |                   |                 |
| 20      | 90101208012 | BOLT                        | 2   |      | M8X12          |                   |                 |
| 21      | 91810132530 | FASTENER                    | 30  |      |                |                   |                 |
| 22      | 90101208018 | BOLT                        | 4   |      | M8X18          |                   |                 |
| 23      | 42653673501 | SWITCH PANEL                | 1   |      |                |                   | HK0007          |
|         | 42653673502 | SWITCH ASSY                 | 1   |      |                | HK0008            |                 |
| 24      | 42653672003 | BOX                         | 1   |      |                |                   | HK0007          |
|         | 42653672004 | BOX ASSY                    | 1   |      |                | HK0008            |                 |
| 25      | 82100002042 | CLAMP                       | 2   |      | WE20           |                   |                 |
| 26      | 91850400601 | CLAMP                       | 5   |      |                |                   |                 |
| 27      | 82100002019 | CLAMP                       | 2   |      | WR40           |                   |                 |
| 51      | 42353952100 | SWITCH ASSY (WITH HARNESS)  | 1   |      |                |                   |                 |
| 52      | 82154201010 | METER,HOUR                  | 1   |      |                |                   |                 |
| 53      | 80172303010 | SCREW,MACHINE               | 2   |      | M3X10          |                   |                 |
| 54      | 90302040301 | WASHER,SPRING               | 2   |      | 3              |                   |                 |
| 55      | 90303070301 | WASHER,PLAIN                | 2   |      | 3              |                   |                 |

**AT-100-4 42063442341 UPPER/LOWER, ISUZU BKG-NKR85AN-EE5AHY  
PN1014812-01 ELEC.ASSY (FRAME)**

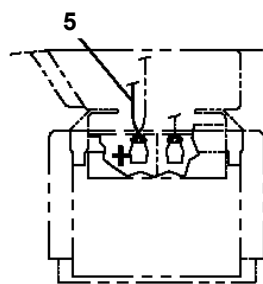
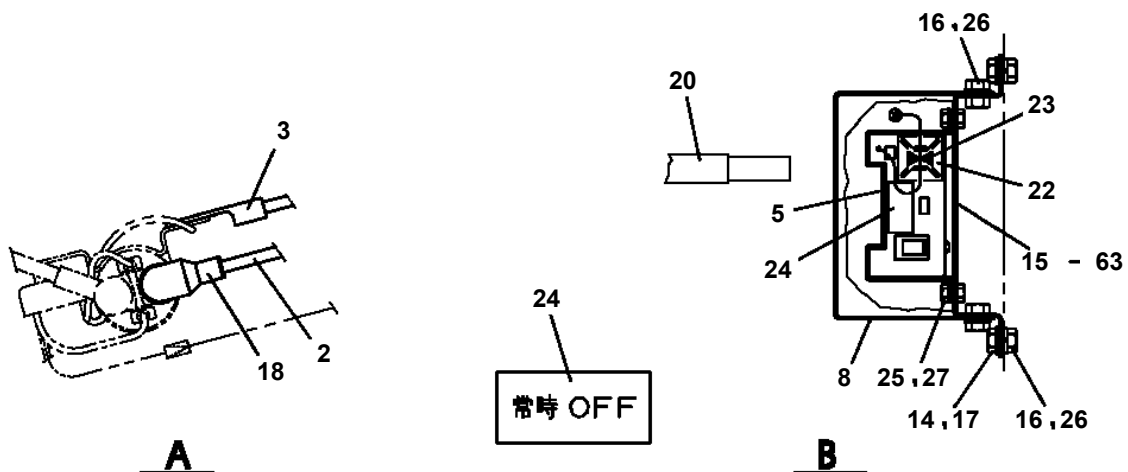


AT-100-4 42063442341 UPPER/LOWER, ISUZU BKG-NKR85AN-EE5AHY  
 PN1015018-01 ELEC.ASSY

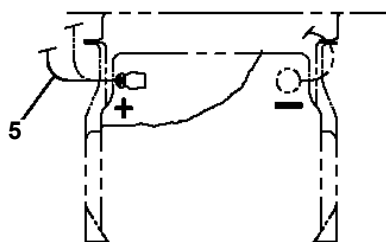
FRONT ←



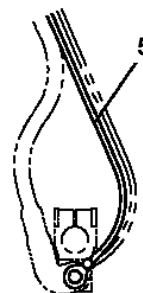
AT-80の場合



日野、トヨタ



三菱

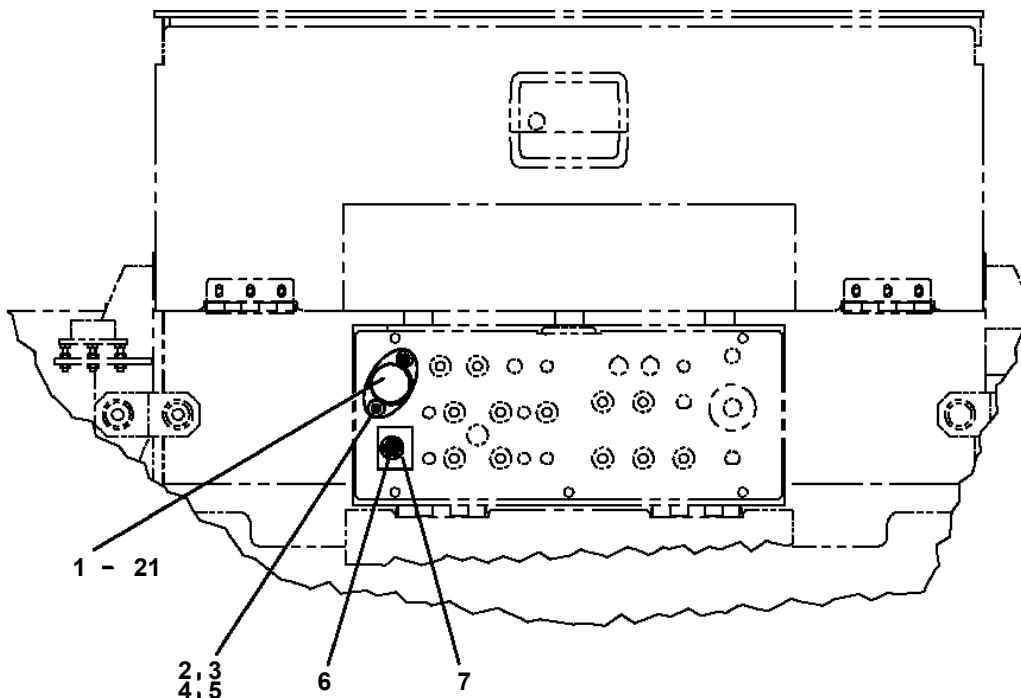


いすゞ

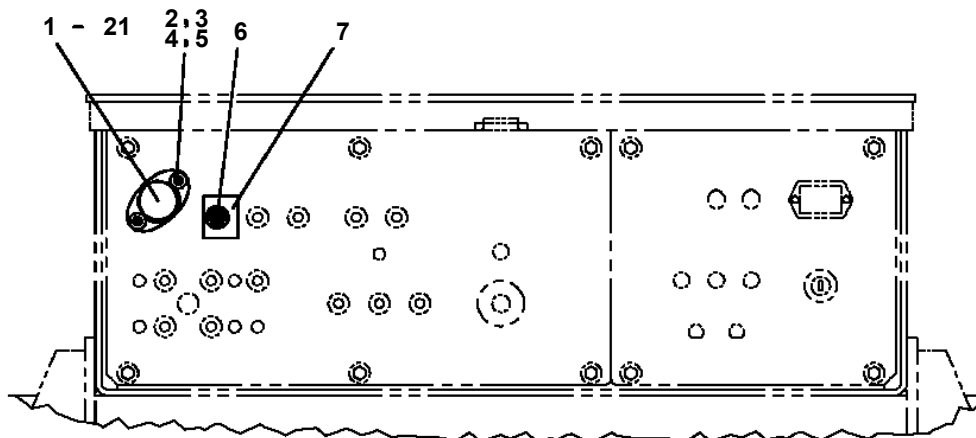
# AT-100-4 42063442341 UPPER/LOWER,ISUZU BKG-NKR85AN-EE5AHY

| Pos No. | Parts No    | Parts Name    | Qty | Unit | Technical Data | Serial No (Start) | Serial No (End) | Remarks | Pages |
|---------|-------------|---------------|-----|------|----------------|-------------------|-----------------|---------|-------|
| 1       | 42502381100 | LAMP ASSY     | 1   |      |                |                   |                 |         |       |
| 2       | 42501070100 | SUPPORT       | 1   |      |                |                   |                 |         |       |
| 3       | 42501070010 | HARNESS       | 1   |      |                |                   |                 |         | 00016 |
| 4       | 90813108020 | BOLT,WING     | 1   |      | M8X20          |                   |                 |         |       |
| 5       | 90101208016 | BOLT          | 2   |      | M8X16          |                   |                 |         |       |
| 6       | 90302040801 | WASHER,SPRING | 2   |      | 8              |                   |                 |         |       |
| 7       | 90201200600 | NUT           | 2   |      | M6             |                   |                 |         |       |
| 8       | 90302040601 | WASHER,SPRING | 2   |      | 6              |                   |                 |         |       |
| 9       | 82100002006 | CLAMP         | 2   |      | WR10           |                   |                 |         |       |
| 10      | 91810130240 | FASTENER      | 5   |      |                |                   |                 |         |       |
| 11      | 42501541010 | INSULATOR     | 1   |      |                |                   | HK0096          |         |       |
| 12      | 42502381300 | SUPPORT       | 1   |      |                |                   |                 |         |       |
| 13      | 42501791000 | SUPPORT ASSY  | 1   |      |                |                   |                 |         |       |
| 14      | 82100001823 | FASTENER      | 1   |      |                |                   |                 |         |       |
| 31      | 82199100032 | LAMP          | 1   |      |                |                   |                 |         |       |
| 32      | 90101212020 | BOLT          | 1   |      | M12X20         |                   |                 |         |       |
| 33      | 90302041201 | WASHER,SPRING | 1   |      | 12             |                   |                 |         |       |
| 34      | 37000179070 | PIN           | 1   |      |                |                   |                 |         |       |
| 41      | 42501692100 | SUPPORT       | 1   |      |                |                   |                 |         |       |
| 42      | 42501791100 | SUPPORT       | 1   |      |                |                   |                 |         |       |
| 43      | 82430138010 | KNOB          | 2   |      |                |                   |                 |         |       |
| 44      | 90813110016 | BOLT,WING     | 1   |      |                |                   |                 |         |       |
| 45      | 90101208030 | BOLT          | 2   |      | M8X30          |                   |                 |         |       |
| 46      | 90303070801 | WASHER,PLAIN  | 2   |      | 8              |                   |                 |         |       |
| 47      | 37000506550 | PLATE         | 2   |      | T=1.6          |                   |                 |         |       |
| 48      | 90302040801 | WASHER,SPRING | 2   |      | 8              |                   |                 |         |       |
| 51      | 82100002850 | LENS          | 1   |      |                |                   |                 |         |       |
| 52      | 82100005003 | BULB,LAMP     | 1   |      | 24V 55W ÈÙ'ÞÝ  |                   |                 |         |       |

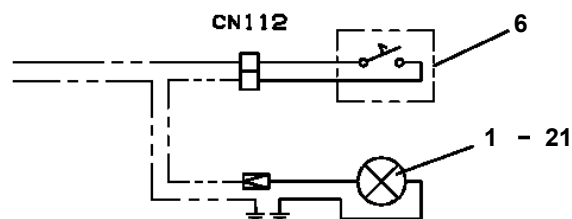
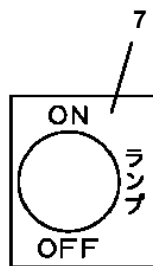
AT-100-4 42063442341 UPPER/LOWER, ISUZU BKG-NKR85AN-EE5AHY  
 PN1080368-02 LAMP (LIGHTING/LOWER CONTROLS)



操作パネルがサブフレーム下の場合

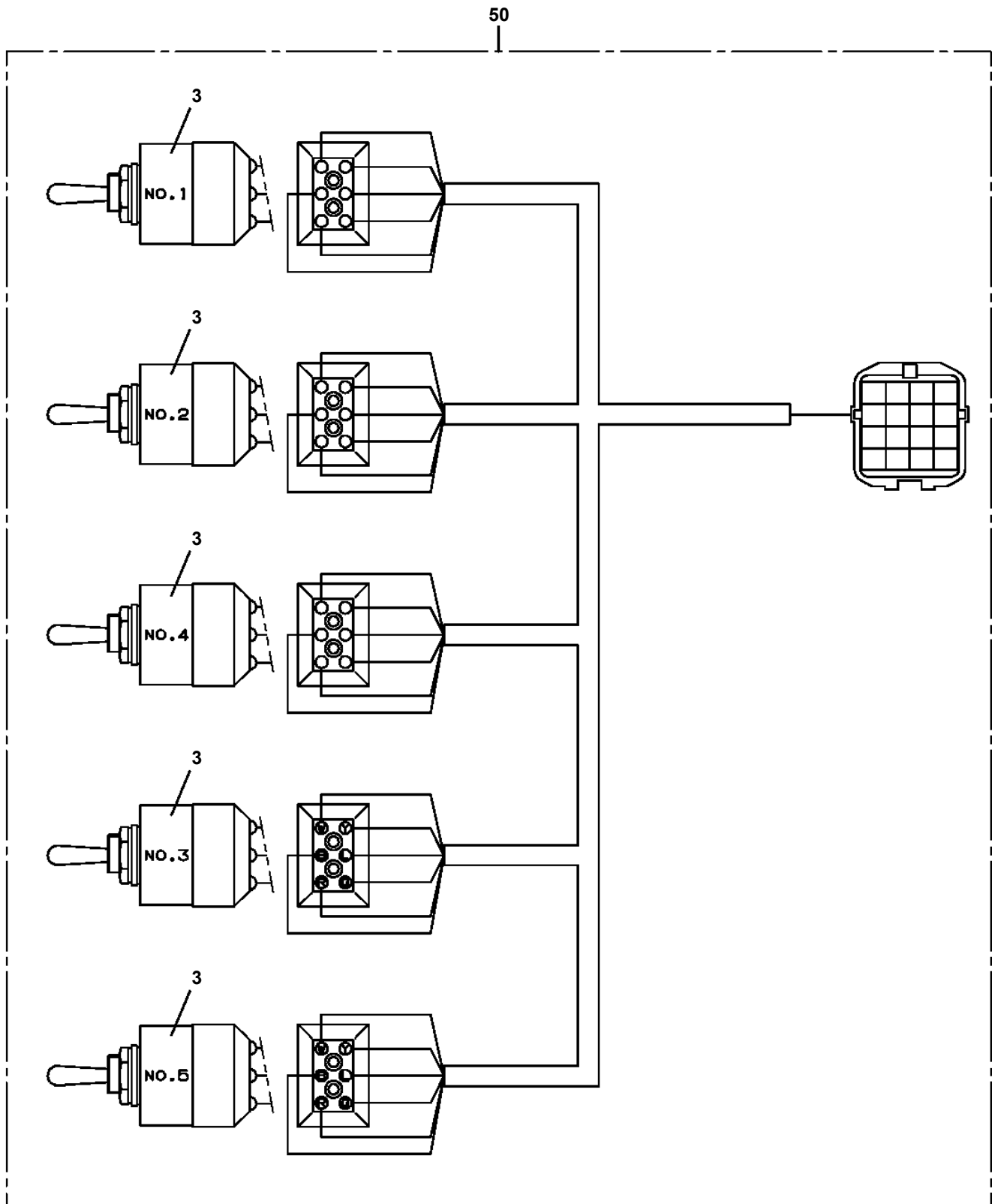


操作パネルがサブフレーム内の場合

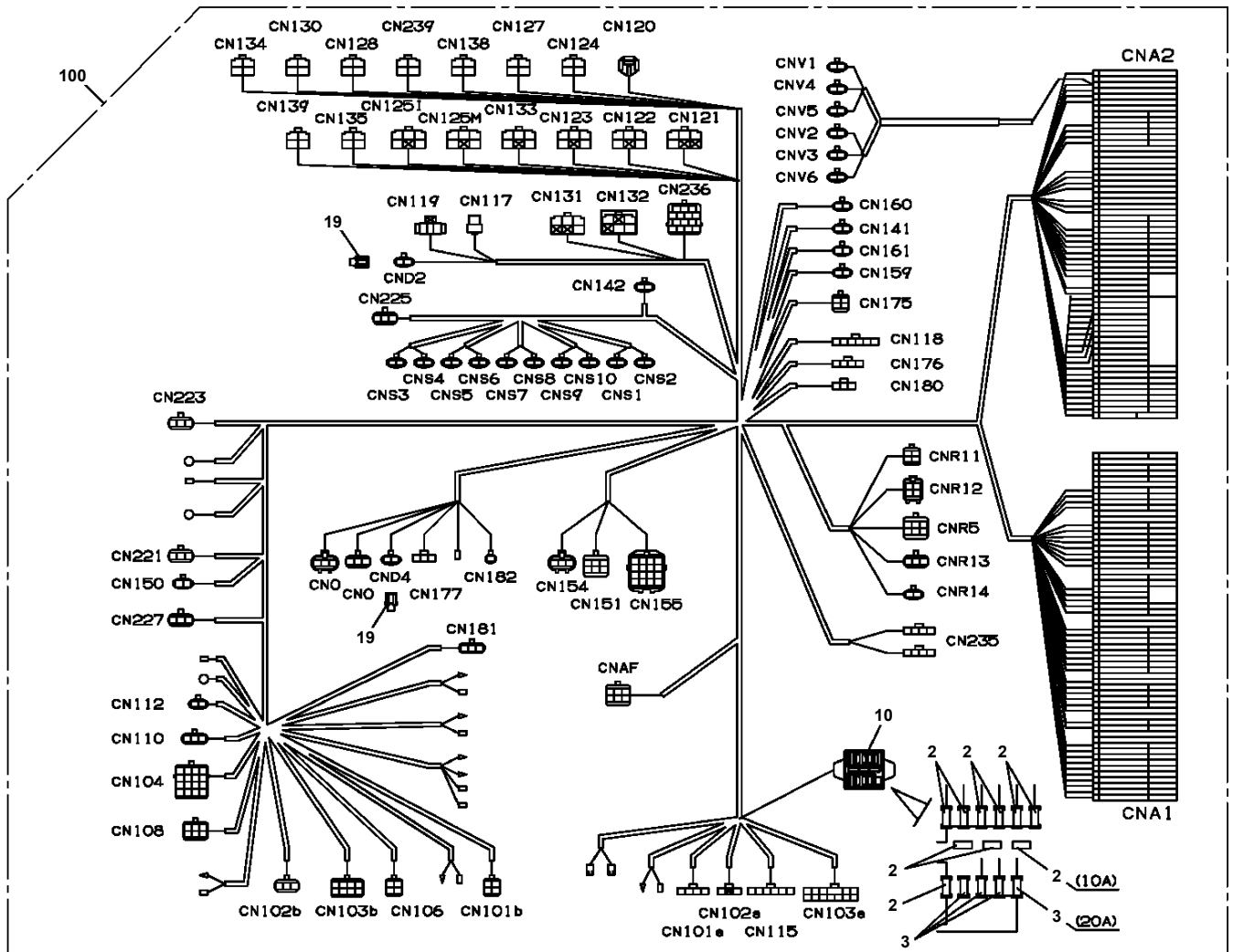


結線図

AT-100-4 42063442341 UPPER/LOWER, ISUZU BKG-NKR85AN-EE5AHY  
PN1140167-00 SWITCH ASSY (WITH HARNESS, 5 SW)



**AT-100-4 42063442341 UPPER/LOWER,ISUZU BKG-NKR85AN-EE5AHY  
PN1450143-00 HARNESS**



**AT-100-4 42063442341 UPPER/LOWER,ISUZU BKG-NKR85AN-EE5AHY**

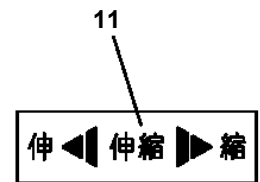
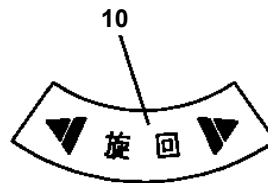
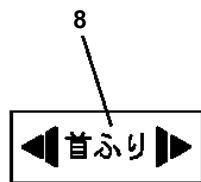
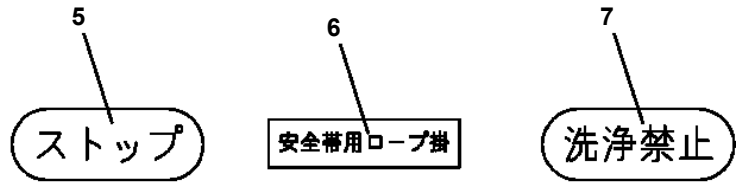
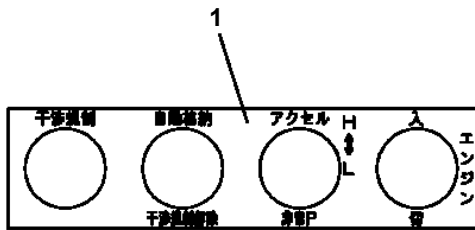
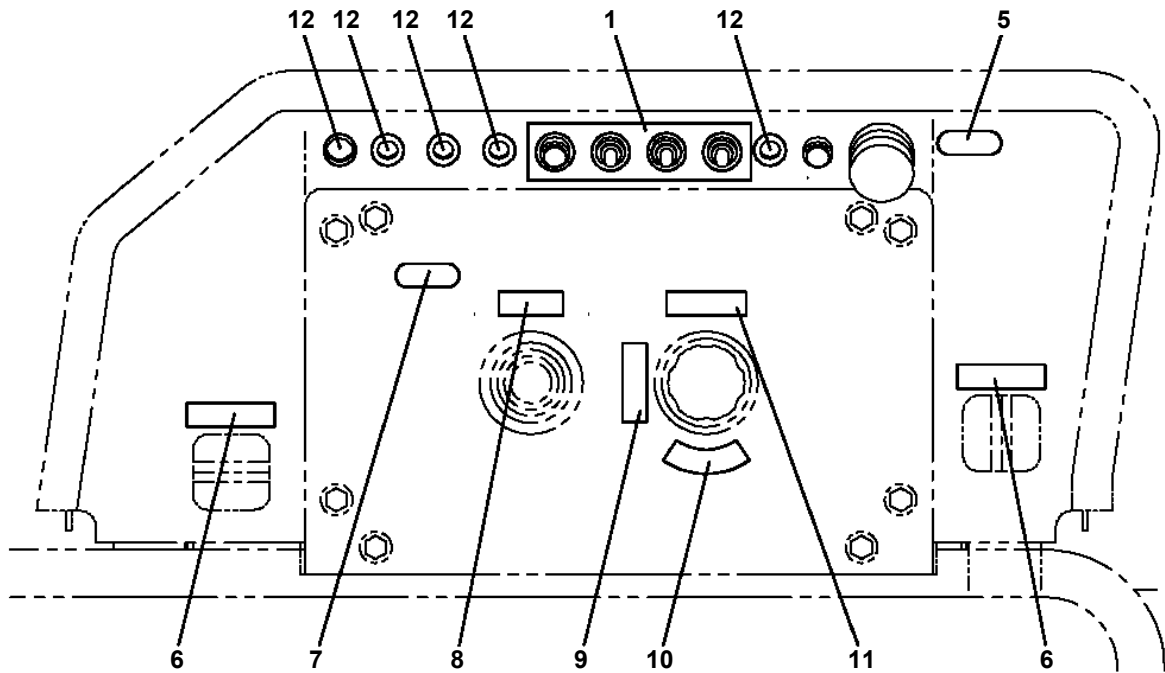
| Pos No. | Parts No    | Parts Name             | Qty | Unit | Technical Data | Serial No (Start) | Serial No (End) | Remarks |
|---------|-------------|------------------------|-----|------|----------------|-------------------|-----------------|---------|
| 1       | 42397712010 | PLATE,NAME (AT-100TTE) | 1   |      |                |                   |                 |         |
| 2       | 37002202030 | PLATE,NAME             | 2   |      |                |                   |                 |         |
| 3       | 42394511010 | PLATE,CAUTION          | 2   |      |                |                   |                 |         |
| 4       | 42397672020 | PLATE,NAME             | 1   |      |                |                   |                 |         |
| 5       | 42394191150 | PLATE,NAME             | 1   |      |                |                   |                 |         |
| 6       | 42398132020 | PLATE,NAME             | 1   |      |                |                   |                 |         |
| 7       | 42399132020 | PLATE,NAME             | 1   |      |                |                   |                 |         |

**AT-100-4 42063442341 UPPER/LOWER,ISUZU BKG-NKR85AN-EE5AHY  
PO1000183-00 INDICATION PLATES (LOWER)**

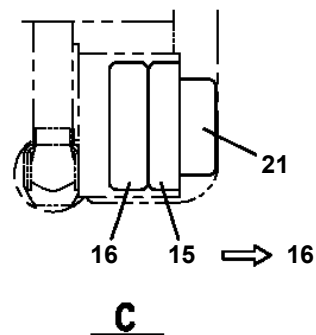
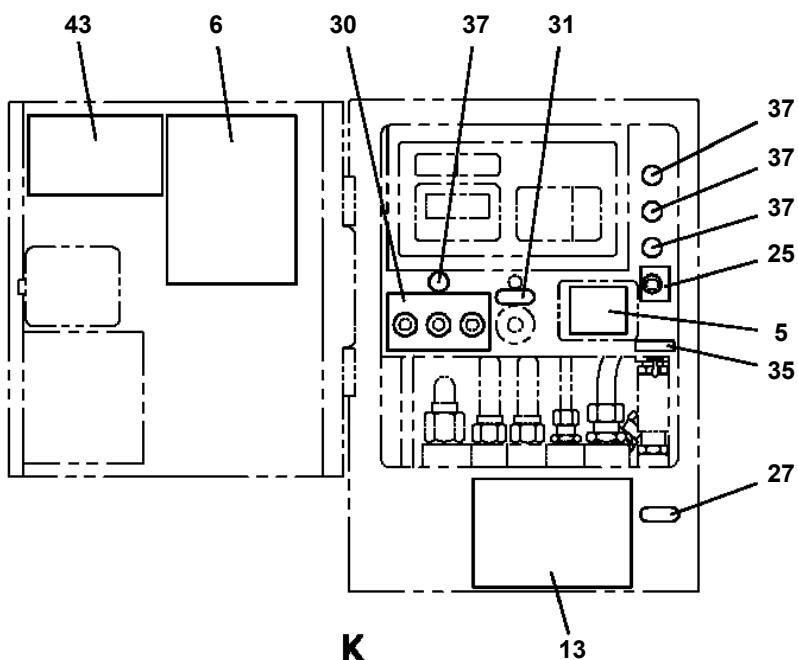
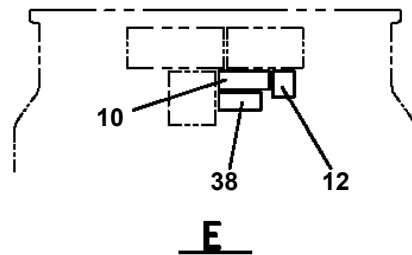
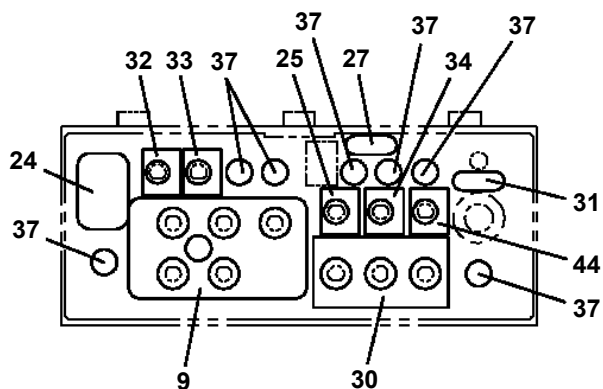
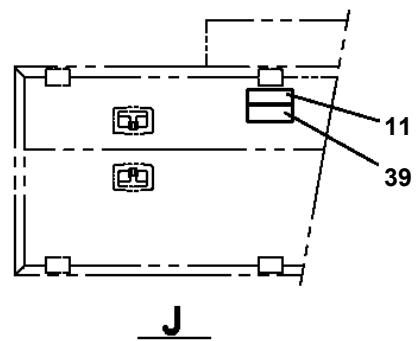
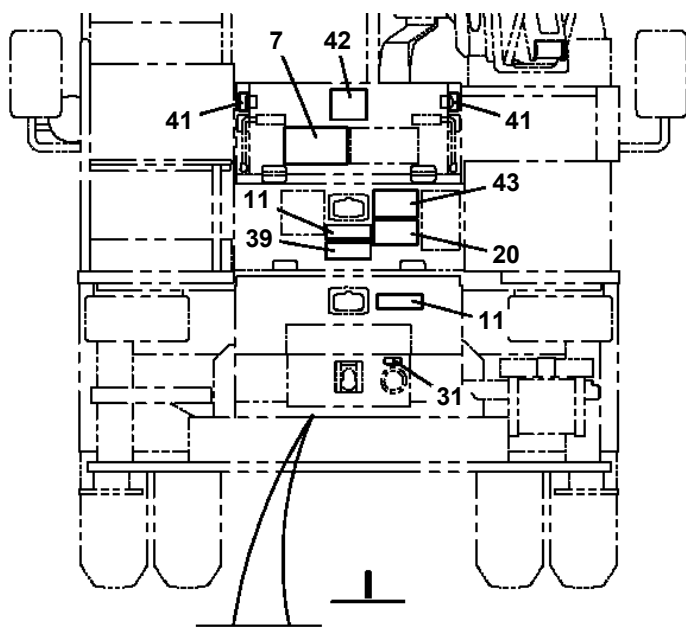
メイパ ン (カブ )  
INDICATION PLATES (LOWER)

〔組立名称一覧〕より選択してください。  
SEE THE CORRESPONDING "ASSEMBLY NAME" LIST.

AT-100-4 42063442341 UPPER/LOWER, ISUZU BKG-NKR85AN-EE5AHY  
 PO1014835-01 PLATE ASSY, NAME (BUCKET CONTROL)

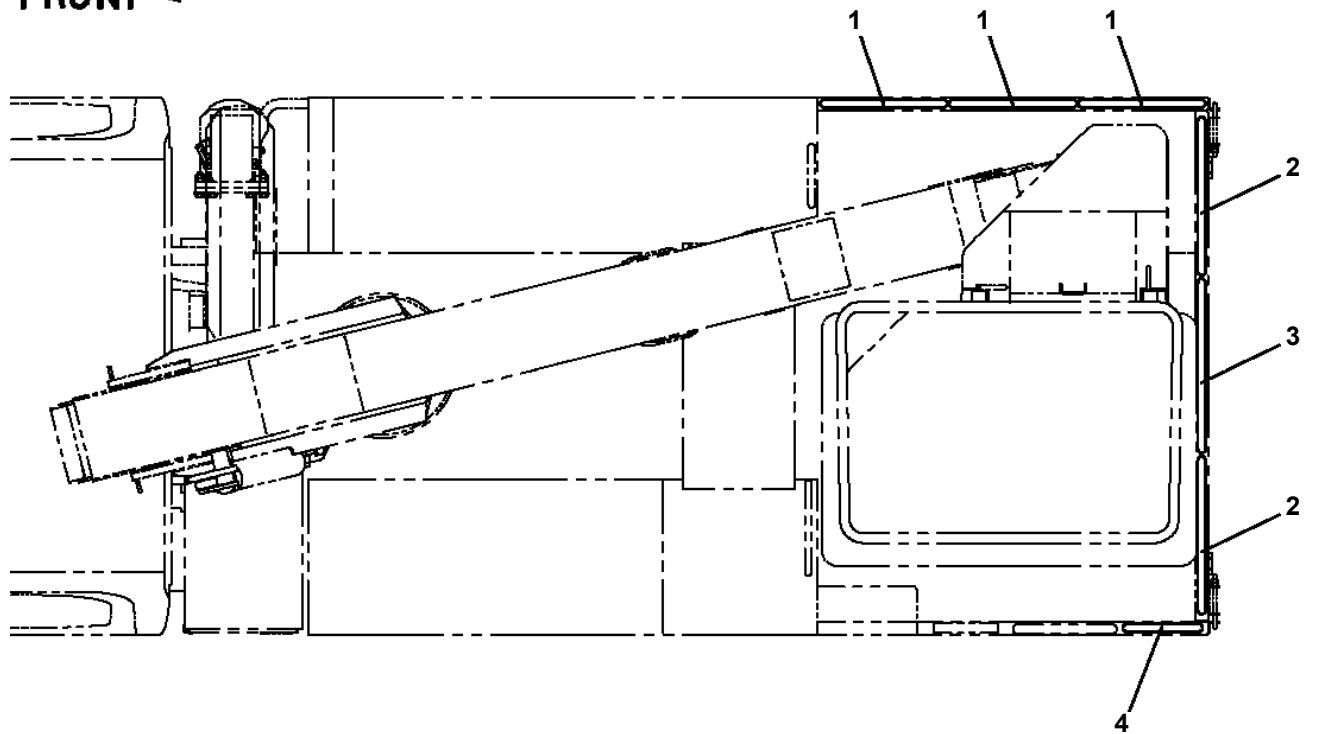


**AT-100-4 42063442341 UPPER/LOWER,ISUZU BKG-NKR85AN-EE5AHY  
PO1015360-01 PLATE ASSY,NAME**

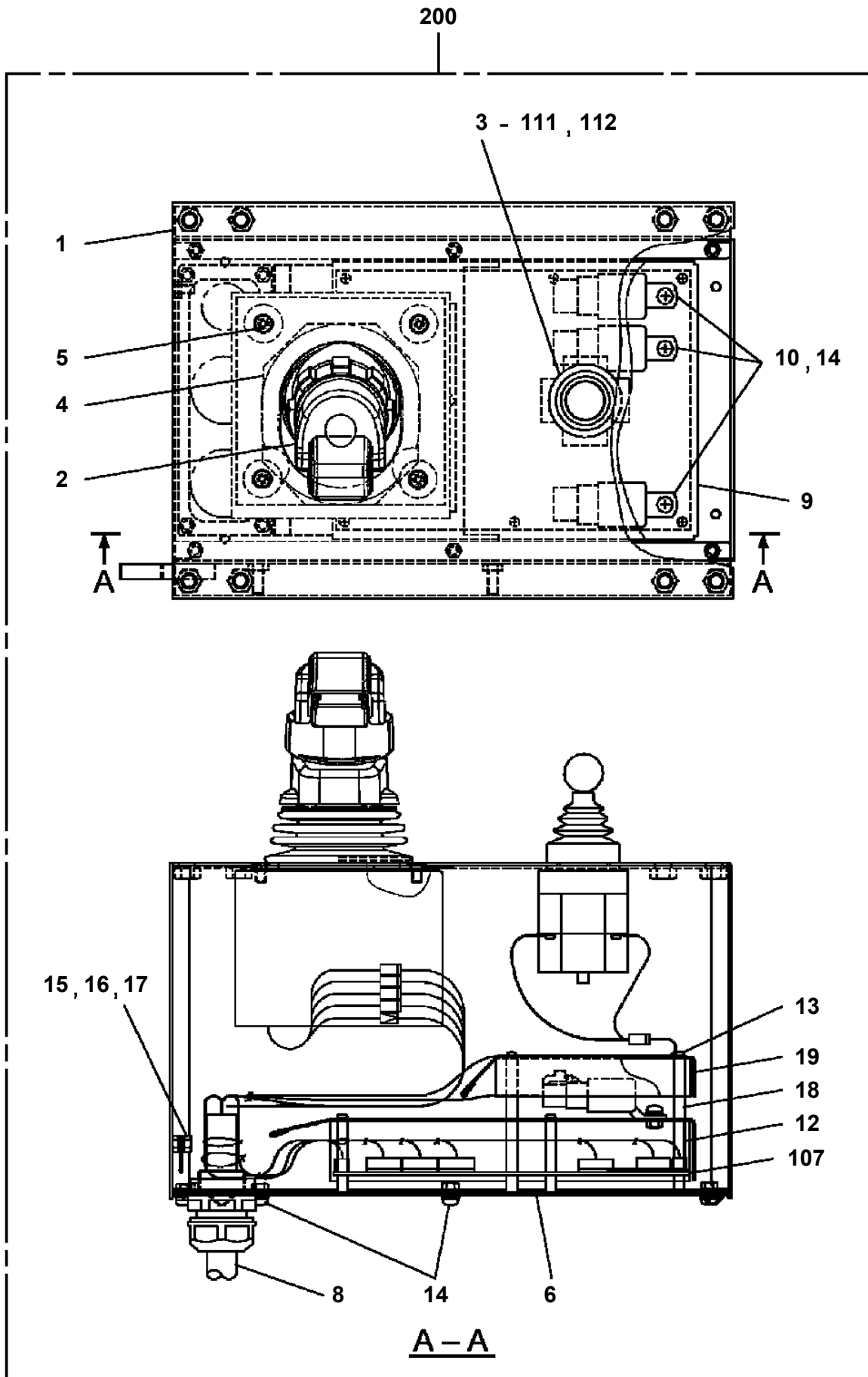


AT-100-4 42063442341 UPPER/LOWER,ISUZU BKG-NKR85AN-EE5AHY  
PO1090061-00 NON-SLIP PLATE (NTT SHIKOKU)

FRONT ←



AT-100-4 42063442341 UPPER/LOWER, ISUZU BKG-NKR85AN-EE5AHY  
PO5010017-00 OPE.ASSY



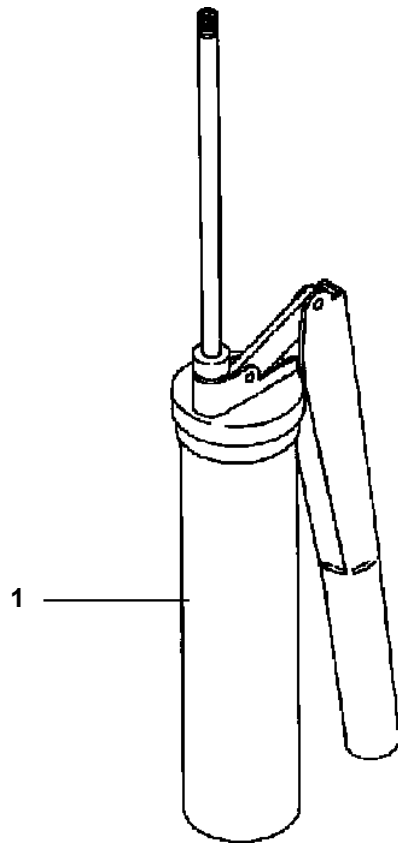
**AT-100-4 42063442341 UPPER/LOWER,ISUZU BKG-NKR85AN-EE5AHY**

| Pos No. | Parts No | Parts Name                                  | Qty | Unit | Technical Data | Serial No (Start) | Se |
|---------|----------|---|-----|------|----------------|-------------------|----|
| 1       | (*****)  | OPE.ASSY,BUCKET                             | 1   |      |                |                   |    |
| 2       | (*****)  | PLATE ASSY,NAME (BUCKET CONTROL)            | 1   |      |                |                   |    |
| 3       | (*****)  | NAME PLATE ASSY (INSIDE BUCKET/ENABLE OPE.) | 1   |      |                |                   |    |

# AT-100-4 42063442341 UPPER/LOWER,ISUZU BKG-NKR85AN-EE5AHY

| Pos No. | Parts No    | Parts Name                      | Qty | Unit | Technical Data | Serial No (Start) | Serial No (End) |
|---------|-------------|---------------------------------|-----|------|----------------|-------------------|-----------------|
| 1       | 42333021100 | PANEL                           | 1   |      |                |                   | HK0863          |
|         | 42333021101 | PANEL                           | 1   |      |                | HK0864            |                 |
| 2       | 42332892002 | OPE.ASSY                        | 1   |      |                |                   |                 |
| 3       | 42809631200 | LAMP ASSY (RED,WITH HARNESS)    | 2   |      |                |                   |                 |
| 4       | 42332521300 | SWITCH ASSY (WITH HARNESS)      | 1   |      |                |                   |                 |
| 5       | 37002709630 | HARNESS                         | 1   |      |                |                   |                 |
| 6       | 42332531301 | SWITCH ASSY (WITH HARNESS,3 SW) | 1   |      |                | HK0073            |                 |
| 7       | 90183108020 | BOLT                            | 8   |      | M8X20          |                   |                 |
| 8       | 37000568770 | PLATE                           | N   |      | T=1.5          |                   |                 |
| 9       | 82199514013 | CAP                             | 3   |      |                |                   |                 |
| 10      | 82199504017 | NUT                             | 3   |      | AT-401N        |                   |                 |
| 11      | 37000714020 | CLAMP ASSY                      | 1   |      | 12X2           |                   |                 |
| 12      | 82100002012 | CLAMP                           | 1   |      | WR18           |                   |                 |
| 13      | 90201200600 | NUT                             | 2   |      | M6             |                   |                 |
| 14      | 90302040601 | WASHER,SPRING                   | 2   |      | 6              |                   |                 |
| 15      | 90280200600 | NUT,FLANGE                      | 1   |      | M6             |                   |                 |
| 16      | 90303070601 | WASHER,PLAIN                    | 2   |      | 6              |                   |                 |
| 17      | 42350250150 | PLUG (6 POLES,MALE)             | 1   |      |                |                   |                 |
| 18      | 42350250090 | PLUG (4 POLES,MALE)             | 1   |      |                |                   |                 |
| 19      | 42350250080 | PLUG (3 POLES,MALE)             | 2   |      |                |                   |                 |
| 20      | 91810130240 | FASTENER                        | N   |      |                |                   |                 |
| 21      | 42333081100 | HARNESS                         | 1   |      |                |                   |                 |
| 22      | 42332521500 | HARNESS                         | 1   |      |                |                   |                 |
| 23      | 82100002014 | CLAMP                           | 1   |      | WR20           |                   |                 |
| 24      | 42900001200 | COVER                           | 1   |      |                |                   |                 |
| 49      | 42355641010 | COVER                           | 1   |      |                |                   |                 |
| 61      | 42355641210 | BUTTON                          | 1   |      |                |                   |                 |

**AT-100-4 42063442341 UPPER/LOWER,ISUZU BKG-NKR85AN-EE5AHY  
PP5450004-00 PUMP, GREASE (400CC)**



**AT-100-4 42063442341 UPPER/LOWER,ISUZU BKG-NKR85AN-EE5AHY**

| Pos No. | Parts No    | Parts Name     | Qty | Unit | Technical Data | Serial No (Start) | Serial No (End) | Remarks | Page |
|---------|-------------|----------------|-----|------|----------------|-------------------|-----------------|---------|------|
| 1       | 42972150100 | SUPPORT        | 1   |      |                |                   |                 |         |      |
| 2       | 90101208022 | BOLT           | 2   |      | M8X22          |                   |                 |         |      |
| 3       | 90302040801 | WASHER,SPRING  | 2   |      | 8              |                   |                 |         |      |
| 4       | 80172804010 | SCREW,MACHINE  | 4   |      | M4X10          |                   |                 |         |      |
| 5       | 90302510401 | WASHER,SPRING  | 4   |      | 4              |                   |                 |         |      |
| 6       | 90303520401 | WASHER,PLAIN   | 4   |      | 4              |                   |                 |         |      |
| 7       | 82100001801 | TUBE,CORRUGATE | 1   | M    | 7              |                   |                 |         |      |
| 8       | 91810132530 | FASTENER       | 3   |      |                |                   |                 |         |      |
| 9       | 42391163120 | PLATE,NAME     | 1   |      |                |                   |                 |         |      |
| 10      | 42972150200 | PLATE          | 1   |      |                | HK0129            |                 |         |      |

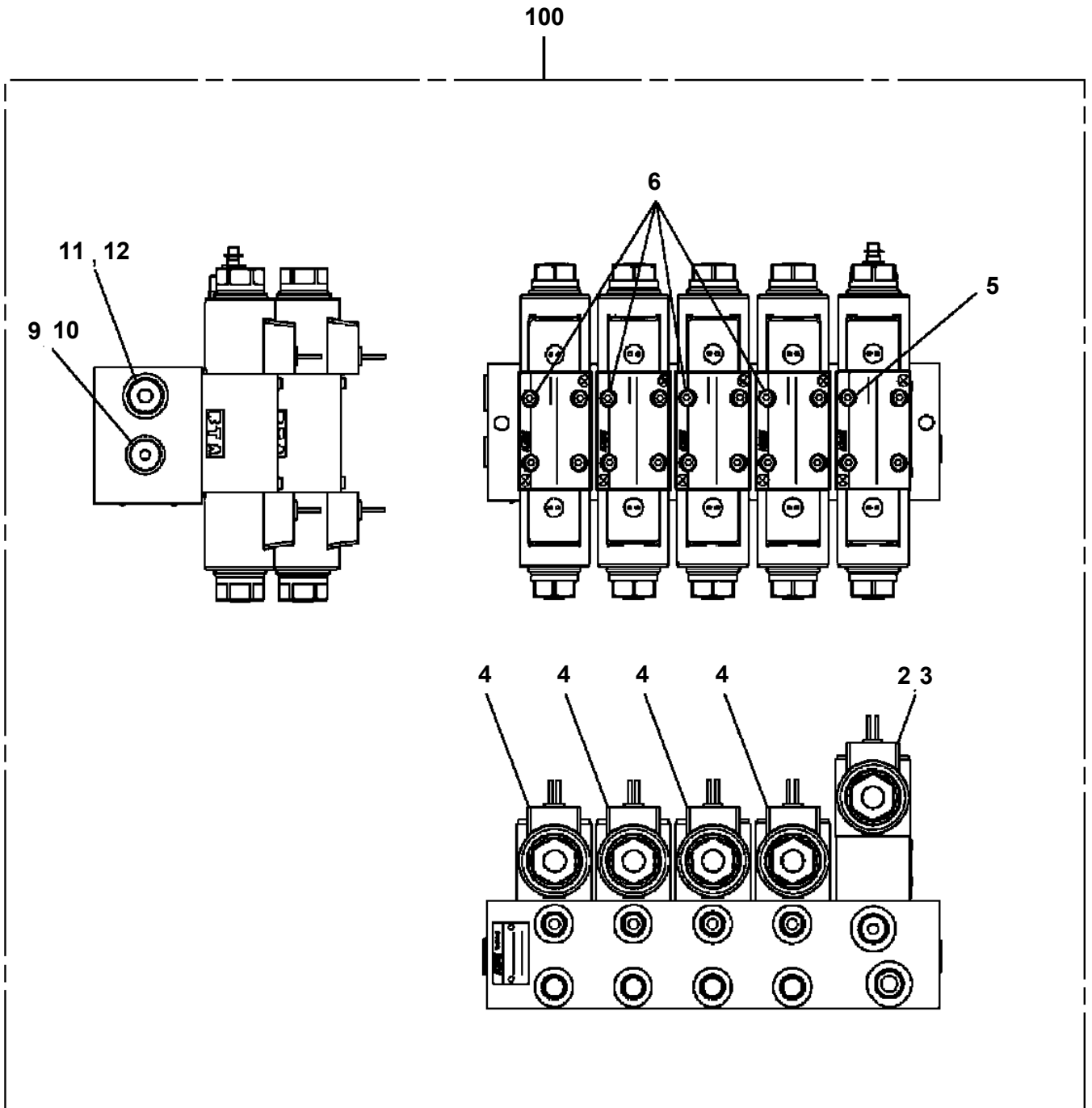
# AT-100-4 42063442341 UPPER/LOWER,ISUZU BKG-NKR85AN-EE5AHY

| Pos No. | Parts No    | Parts Name          | Qty | Unit | Technical Data | Serial No (Start) | Serial No (End) | Remarks | P |
|---------|-------------|---------------------|-----|------|----------------|-------------------|-----------------|---------|---|
| 3       | 90171110020 | BOLT                | 4   |      | M10X20         |                   |                 |         |   |
| 4       | 90302041001 | WASHER,SPRING       | 4   |      | 10             |                   |                 |         |   |
| 5       | 91810132530 | FASTENER            | 2   |      |                |                   |                 |         |   |
| 6       | 42350250080 | PLUG (3 POLES,MALE) | 1   |      |                |                   |                 |         |   |
| 7       | 42505633010 | PLATE               | 1   |      |                |                   |                 |         |   |
| 8       | 42505633020 | PLATE               | 1   |      |                |                   |                 |         |   |
| 9       | 80172804016 | SCREW,MACHINE       | 3   |      | M4X16          |                   |                 |         |   |
| 10      | 90302510401 | WASHER,SPRING       | 11  |      | 4              |                   |                 |         |   |
| 11      | 90303520401 | WASHER,PLAIN        | 11  |      | 4              |                   |                 |         |   |
| 12      | 42505633030 | PLATE               | 1   |      |                |                   |                 |         |   |
| 13      | 80172804020 | SCREW,MACHINE       | 2   |      | M4X20          |                   |                 |         |   |
| 31      | 42503742010 | PLATE               | 2   |      | T=16           |                   |                 |         |   |
| 41      | 42505633200 | SUPPORT             | 1   |      |                |                   |                 |         |   |
| 42      | 42505633110 | PLATE               | 1   |      |                |                   |                 |         |   |
| 44      | 82100002006 | CLAMP               | 1   |      | WR10           |                   |                 |         |   |
| 45      | 90101206010 | BOLT                | 1   |      | M6X1.0         |                   |                 |         |   |
| 46      | 90302510601 | WASHER,SPRING (6)   | 1   |      |                |                   |                 |         |   |
| 47      | 42505633301 | SWITCH ASSY         | 1   |      |                |                   |                 |         |   |
| 48      | 80162302008 | SCREW,MACHINE       | 4   |      | M2X8           |                   |                 |         |   |
| 49      | 90201200200 | NUT                 | 4   |      | M2             |                   |                 |         |   |
| 50      | 90302040201 | WASHER,SPRING (2)   | 4   |      |                |                   |                 |         |   |
| 51      | 90303070201 | WASHER,PLAIN        | 4   |      | 2              |                   |                 |         |   |
| 53      | 80172804014 | SCREW,MACHINE       | 6   |      | M4X14          |                   |                 |         |   |
| 54      | 90302040401 | WASHER,SPRING       | 2   |      | 4              |                   |                 |         |   |
| 56      | 37002224590 | PLATE,NAME          | 4   |      |                |                   |                 |         |   |
| 57      | 42505633140 | GUIDE               | 1   |      |                |                   |                 |         |   |
| 58      | 42505633120 | GUIDE               | 1   |      |                |                   |                 |         |   |
| 59      | 90101204010 | BOLT                | 2   |      | M4X10          |                   |                 |         |   |
| 60      | 42505633130 | PLATE               | 1   |      |                |                   |                 |         |   |

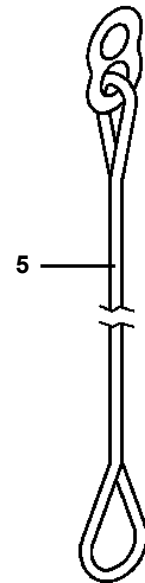
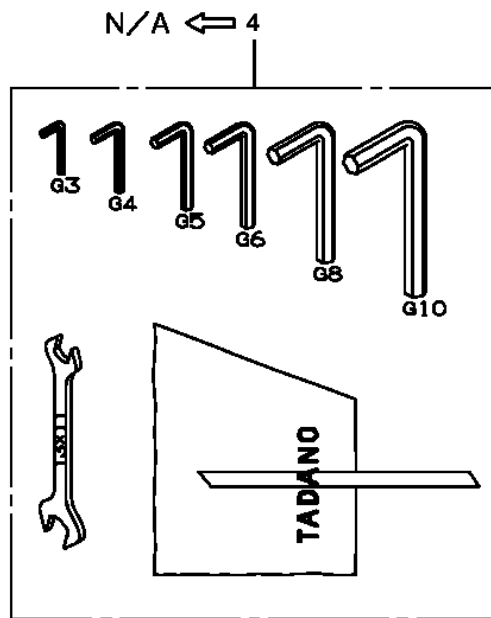
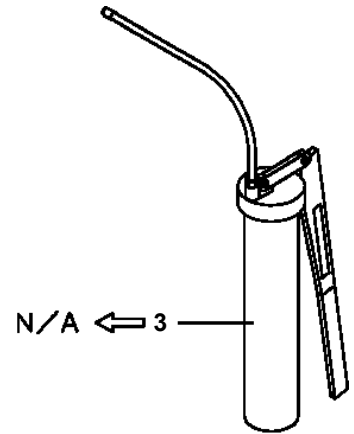
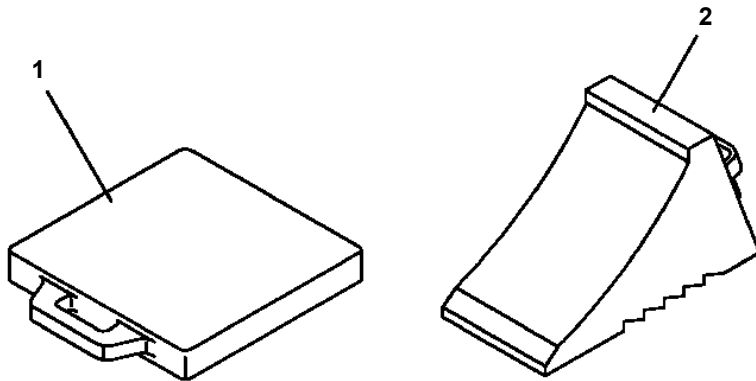
**AT-100-4 42063442341 UPPER/LOWER,ISUZU BKG-NKR85AN-EE5AHY**

| Pos No. | Parts No    | Parts Name      | Qty | Unit | Technical Data | Serial No (Start) | Serial No (End) | Remarks | Page |
|---------|-------------|-----------------|-----|------|----------------|-------------------|-----------------|---------|------|
| 1       | 82109113022 | SWITCH,EMITTER  | 1   |      |                |                   |                 |         |      |
| 2       | 82109103022 | SWITCH,RECEIVER | 1   |      |                |                   |                 |         |      |
| 100     | 42505633301 | SWITCH ASSY     | 1   |      |                |                   |                 |         |      |

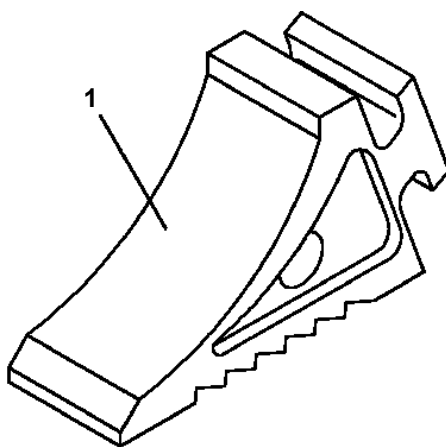
AT-100-4 42063442341 UPPER/LOWER, ISUZU BKG-NKR85AN-EE5AHY  
PV5010005-00 VALVE ASSY (JACK CONTROL)



AT-100-4 42063442341 UPPER/LOWER, ISUZU BKG-NKR85AN-EE5AHY  
PW1010337-01 ACCESSORIES

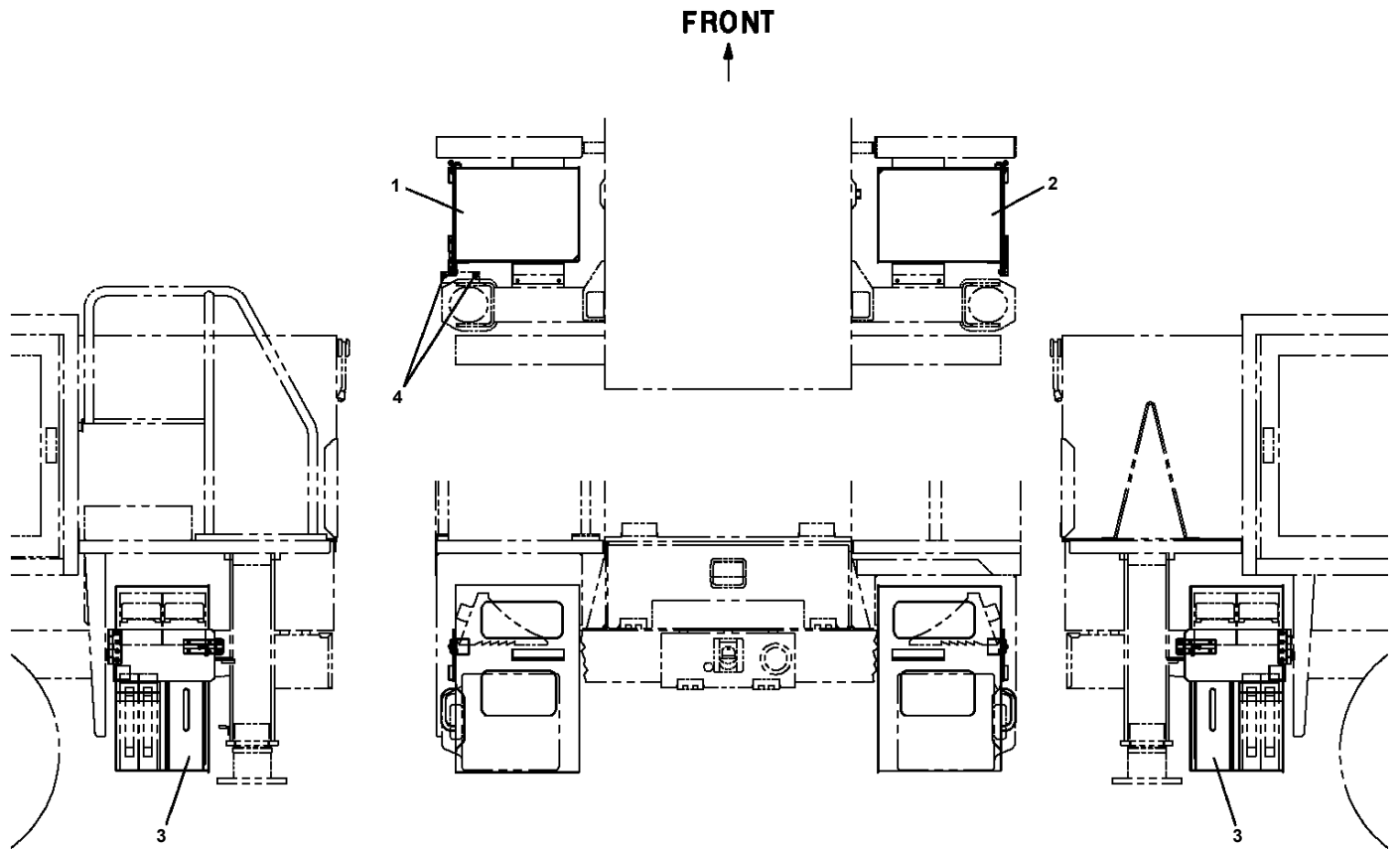


AT-100-4 42063442341 UPPER/LOWER,ISUZU BKG-NKR85AN-EE5AHY  
PW5110005-00 WEDGE (YELLOW)



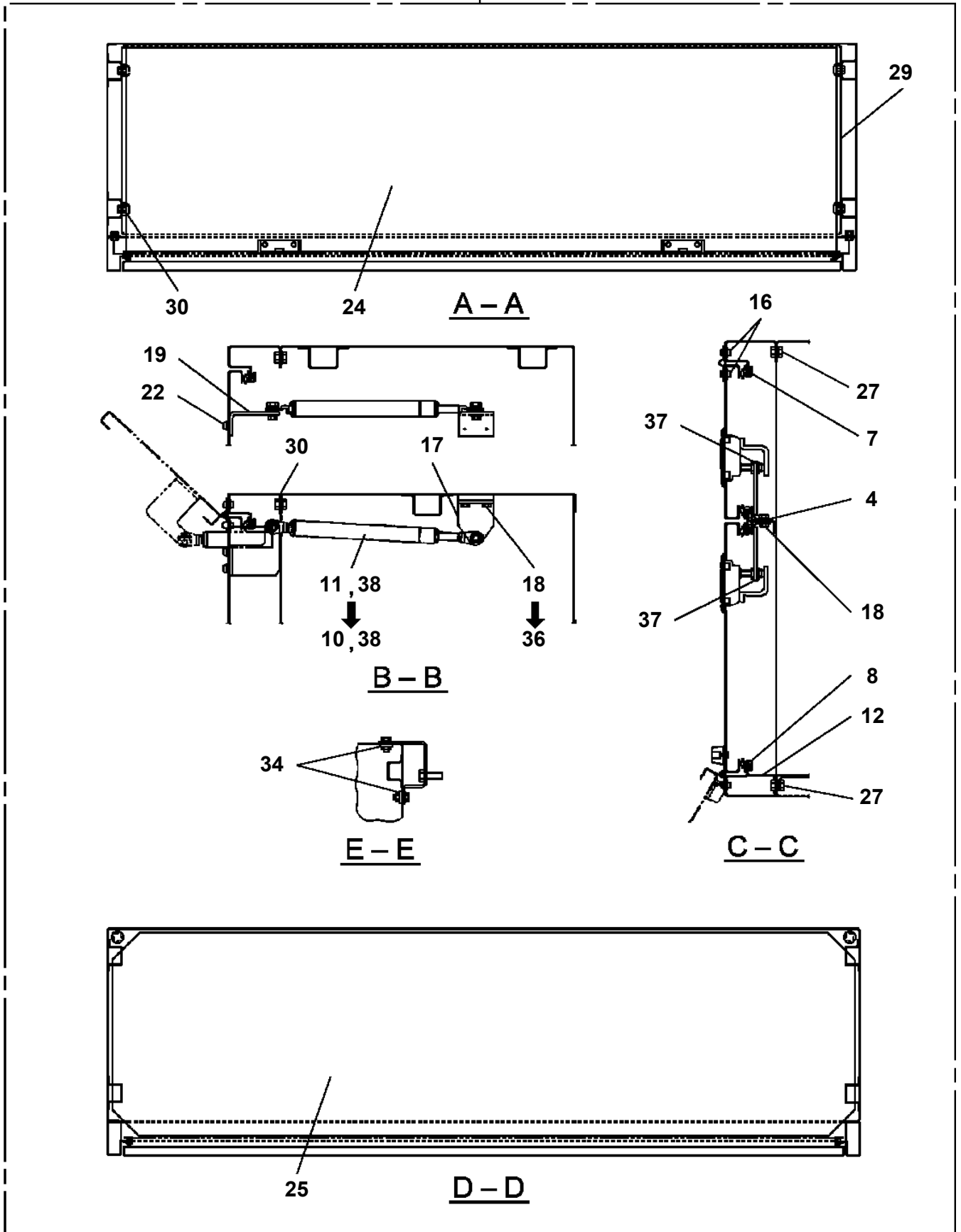


**AT-100-4 42063442341 UPPER/LOWER,ISUZU BKG-NKR85AN-EE5AHY  
PX1270147-00 WOOD BLOCK**



AT-100-4 42063442341 UPPER/LOWER, ISUZU BKG-NKR85AN-EE5AHY  
PX1351161-00 BOX, TOOL

100



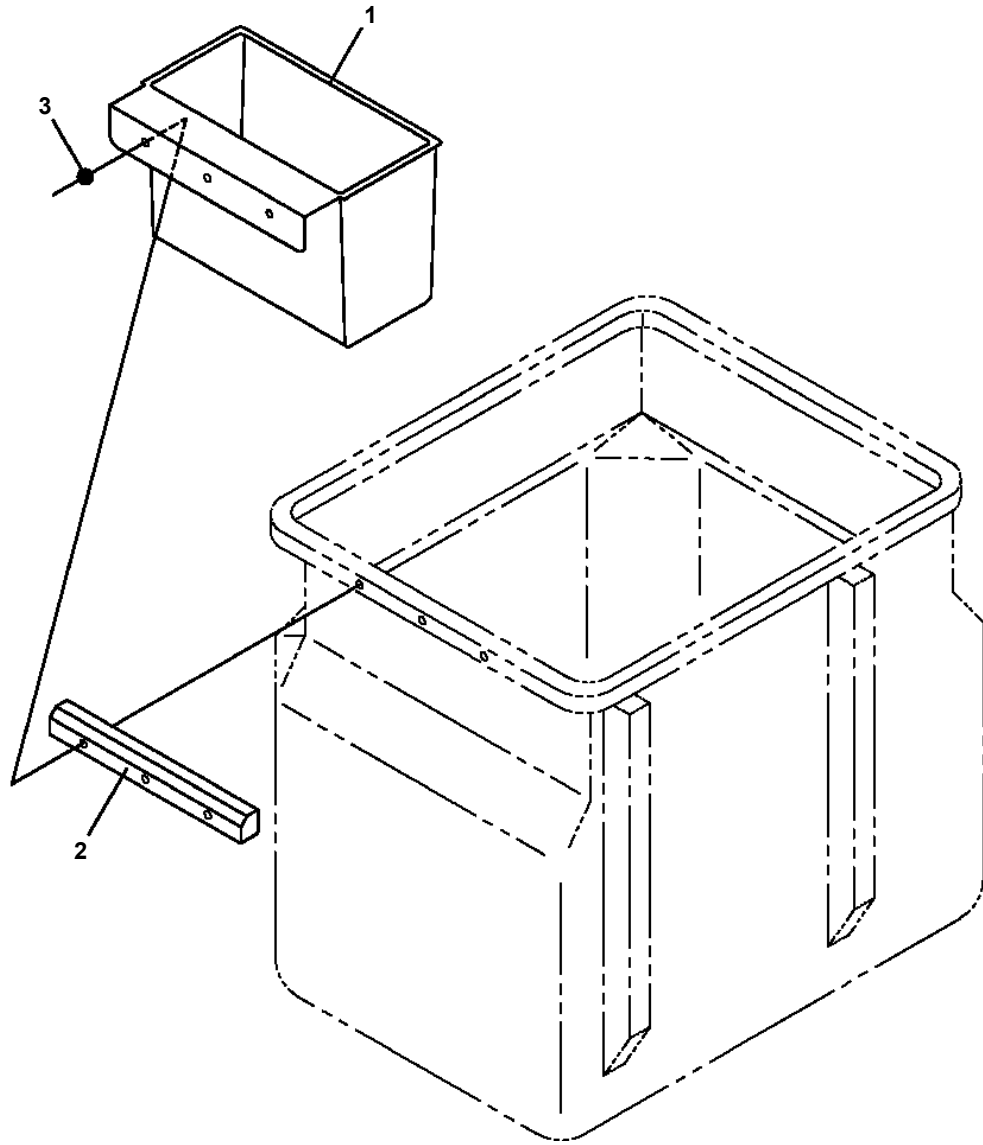
# AT-100-4 42063442341 UPPER/LOWER,ISUZU BKG-NKR85AN-EE5AHY

| Pos No. | Parts No    | Parts Name                    | Qty | Unit | Technical Data | Serial No (Start) | Serial No (End) |
|---------|-------------|-------------------------------|-----|------|----------------|-------------------|-----------------|
| 2       | 42835867660 | DOOR ASSY (SLIDING DOOR)      | 1   |      |                |                   |                 |
| 3       | 42835867610 | RACK                          | 2   |      |                |                   |                 |
| 4       | 42835867540 | PILLAR (DOORJAMB)             | 1   |      |                |                   |                 |
| 5       | 42835867550 | PILLAR (DOORJAMB)             | 1   |      |                |                   |                 |
| 6       | 42835257620 | PLATE                         | 4   |      |                |                   |                 |
| 7       | 42971140010 | SUPPORT                       | 8   |      |                |                   |                 |
| 8       | 42835867560 | RAIL                          | 1   |      |                |                   |                 |
| 9       | 42835867690 | SEAT (WITH DOUBLE-STICK TAPE) | 1   |      |                |                   |                 |
| 10      | 42835867680 | HARNES ASSY                   | 1   |      |                |                   |                 |
| 11      | 42835767580 | STOPPER                       | 1   |      |                |                   |                 |
| 12      | 42833077610 | BUSH                          | 8   |      |                |                   |                 |
| 13      | 42835867580 | SEAL (TAPE)                   | 1   |      | L=1820MM       |                   |                 |
| 14      | 42837157510 | MOHAIR                        | 1   | M    |                |                   |                 |
| 16      | 42835867640 | BOLT (WITH W,SW)              | 4   |      | M6X10          |                   |                 |
| 17      | 42500577560 | SCREW,MACHINE (SEMS)          | 7   |      | M4X8           |                   |                 |
| 18      | 42835257650 | SCREW,MACHINE (WITH WASHER)   | 4   |      | M5X20          |                   |                 |
| 19      | 42835467840 | SCREW,MACHINE (WITH W,SW)     | 2   |      | M5X22          |                   |                 |
| 20      | 42835257660 | SCREW,MACHINE                 | 8   |      | M4X18          |                   |                 |
| 21      | 42835257680 | SCREW,MACHINE (WITH SW,N)     | 6   |      | M5X10          |                   |                 |
| 22      | 42835867650 | NUT (SPEED NUT)               | 4   |      | M6             |                   |                 |
| 23      | 42835867840 | GROMMET                       | 1   |      |                |                   |                 |
| 41      | 42835257725 | LOCK ASSY                     | 1   |      |                |                   |                 |
| 42      | 42835257735 | LOCK (WITH KEY)               | 1   |      |                |                   |                 |
| 61      | 42835257736 | KEY                           | 3   |      |                |                   |                 |
| 100     | 42837151300 | BOX,TOOL                      | 1   |      |                |                   |                 |

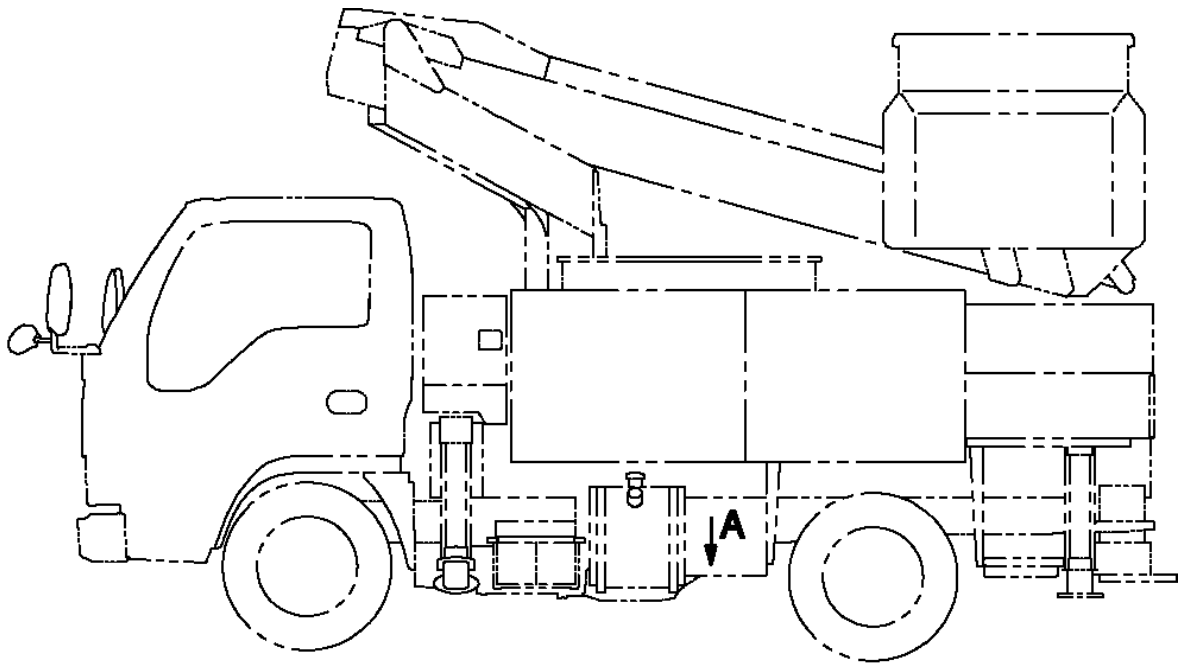
**AT-100-4 42063442341 UPPER/LOWER,ISUZU BKG-NKR85AN-EE5AHY**

| Pos No. | Parts No    | Parts Name    | Qty | Unit | Technical Data | Serial No (Start) | Serial No (End) | Remarks | P  |
|---------|-------------|---------------|-----|------|----------------|-------------------|-----------------|---------|----|
| 1       | 42837371300 | BOX,TOOL      | 1   |      |                |                   |                 |         | 00 |
|         | 42837371300 | BOX,TOOL      | 1   |      |                |                   |                 |         | 00 |
| 2       | 42837150100 | STEP          | 1   |      |                |                   |                 |         |    |
|         | 42837150100 | STEP          | 1   |      |                |                   |                 |         |    |
| 3       | 42835863001 | STEP          | 1   |      |                |                   |                 |         |    |
|         | 42835863001 | STEP          | 1   |      |                |                   |                 |         |    |
| 4       | 42835860201 | CASE          | 1   |      |                |                   |                 |         |    |
|         | 42835860201 | CASE          | 1   |      |                |                   |                 |         |    |
| 5       | 42835862501 | SUPPORT       | 1   |      |                |                   |                 |         |    |
|         | 42835862501 | SUPPORT       | 1   |      |                |                   |                 |         |    |
| 6       | 42837371100 | BOX,TOOL      | 1   |      |                |                   |                 |         | 00 |
|         | 42837371100 | BOX,TOOL      | 1   |      |                |                   |                 |         | 00 |
| 7       | 42837151500 | BOX,TOOL      | 1   |      |                |                   | 219829          |         | 00 |
|         | 42838441500 | BOX,TOOL      | 1   |      |                | 219830            |                 |         | 00 |
|         | 42838441500 | BOX,TOOL      | 1   |      |                | 219830            |                 |         | 00 |
| 8       | 42836442000 | SUPPORT       | 1   |      |                |                   |                 |         |    |
|         | 42836442000 | SUPPORT       | 1   |      |                |                   |                 |         |    |
| 9       | 42836443000 | SUPPORT       | 1   |      |                |                   |                 |         |    |
|         | 42836443000 | SUPPORT       | 1   |      |                |                   |                 |         |    |
| 10      | 82464188210 | HOOK          | 2   |      |                |                   |                 |         |    |
|         | 82464188210 | HOOK          | 2   |      |                |                   |                 |         |    |
| 11      | 42836440010 | PLATE         | 2   |      |                |                   |                 |         |    |
|         | 42836440010 | PLATE         | 2   |      |                |                   |                 |         |    |
| 12      | 82464100201 | HINGE         | 3   |      |                |                   |                 |         |    |
|         | 82464100201 | HINGE         | 3   |      |                |                   |                 |         |    |
| 13      | 82400000393 | INSULATOR     | 2   |      |                |                   |                 |         |    |
|         | 82400000393 | INSULATOR     | 2   |      |                |                   |                 |         |    |
| 14      | 42835860010 | HARNESS       | 1   |      |                |                   |                 |         | 00 |
|         | 42835860010 | HARNESS       | 1   |      |                |                   |                 |         | 00 |
| 15      | 91810132530 | FASTENER      | 10  |      |                |                   |                 |         |    |
|         | 91810132530 | FASTENER      | 10  |      |                |                   |                 |         |    |
| 16      | 90101210020 | BOLT          | 17  |      | M10X20         |                   |                 |         |    |
|         | 90101210020 | BOLT          | 17  |      | M10X20         |                   |                 |         |    |
| 17      | 90302041001 | WASHER,SPRING | 33  |      | 10             |                   |                 |         |    |
|         | 90302041001 | WASHER,SPRING | 33  |      | 10             |                   |                 |         |    |
| 18      | 37000506590 | PLATE         | 22  |      | T=1.6          |                   |                 |         |    |
|         | 37000506590 | PLATE         | 22  |      | T=1.6          |                   |                 |         |    |
| 19      | 90101210025 | BOLT          | 12  |      | M10X25         |                   |                 |         |    |
|         | 90101210025 | BOLT          | 12  |      | M10X25         |                   |                 |         |    |
| 20      | 37000549940 | PLATE         | 9   |      | T=3.2          |                   |                 |         |    |
|         | 37000549940 | PLATE         | 9   |      | T=3.2          |                   |                 |         |    |
| 21      | 90101208016 | BOLT          | 6   |      | M8X16          |                   |                 |         |    |
|         | 90101208016 | BOLT          | 6   |      | M8X16          |                   |                 |         |    |
| 22      | 90302040801 | WASHER,SPRING | 11  |      | 8              |                   |                 |         |    |
|         | 90302040801 | WASHER,SPRING | 11  |      | 8              |                   |                 |         |    |
| 23      | 37000547660 | PLATE         | 2   |      | T=2.3          |                   |                 |         |    |
|         | 37000547660 | PLATE         | 2   |      | T=2.3          |                   |                 |         |    |
| 24      | 90180210016 | BOLT,BUTTON   | 4   |      | M10X16         |                   |                 |         |    |
|         | 90180210016 | BOLT,BUTTON   | 4   |      | M10X16         |                   |                 |         |    |
| 25      | 90101208020 | BOLT          | 5   |      | M8X20          |                   |                 |         |    |
|         | 90101208020 | BOLT          | 5   |      | M8X20          |                   |                 |         |    |
| 26      | 32200353500 | SHIM          | N   |      | T=1.2          |                   |                 |         |    |
|         | 32200353500 | SHIM          | N   |      | T=1.2          |                   |                 |         |    |
| 27      | 31200713400 | SHIM          | N   |      | T=0.6          |                   |                 |         |    |
|         | 31200713400 | SHIM          | N   |      | T=0.6          |                   |                 |         |    |
| 28      | 42696070100 | SUPPORT       | 3   |      |                |                   |                 |         |    |
|         | 42696070100 | SUPPORT       | 3   |      |                |                   |                 |         |    |
| 29      | 90186210020 | BOLT,FLANGE   | 3   |      | M10X20         |                   |                 |         |    |
|         | 90186210020 | BOLT,FLANGE   | 3   |      | M10X20         |                   |                 |         |    |
| 30      | 90186210016 | BOLT,FLANGE   | 3   |      | M10X16         |                   |                 |         |    |
|         | 90186210016 | BOLT,FLANGE   | 3   |      | M10X16         |                   |                 |         |    |
| 31      | 90190206016 | BOLT          | 4   |      | M6X16          |                   |                 |         |    |
|         | 90190206016 | BOLT          | 4   |      | M6X16          |                   |                 |         |    |

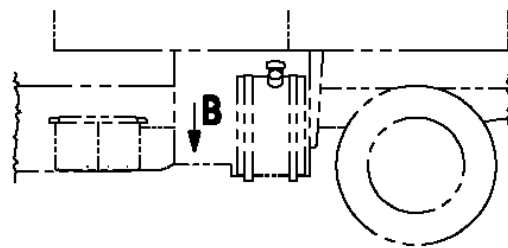
**AT-100-4 42063442341 UPPER/LOWER,ISUZU BKG-NKR85AN-EE5AHY  
PX1351247-00 BOX,TOOL (BUCKET)**



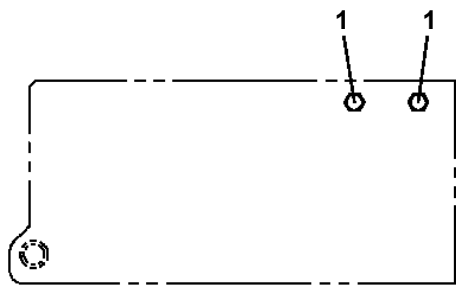
**AT-100-4 42063442341 UPPER/LOWER, ISUZU BKG-NKR85AN-EE5AHY  
PX1940380-00 MOUNT**



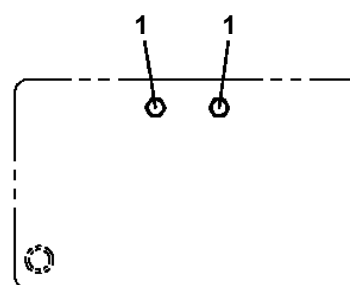
AT-100TT



AT-80TT

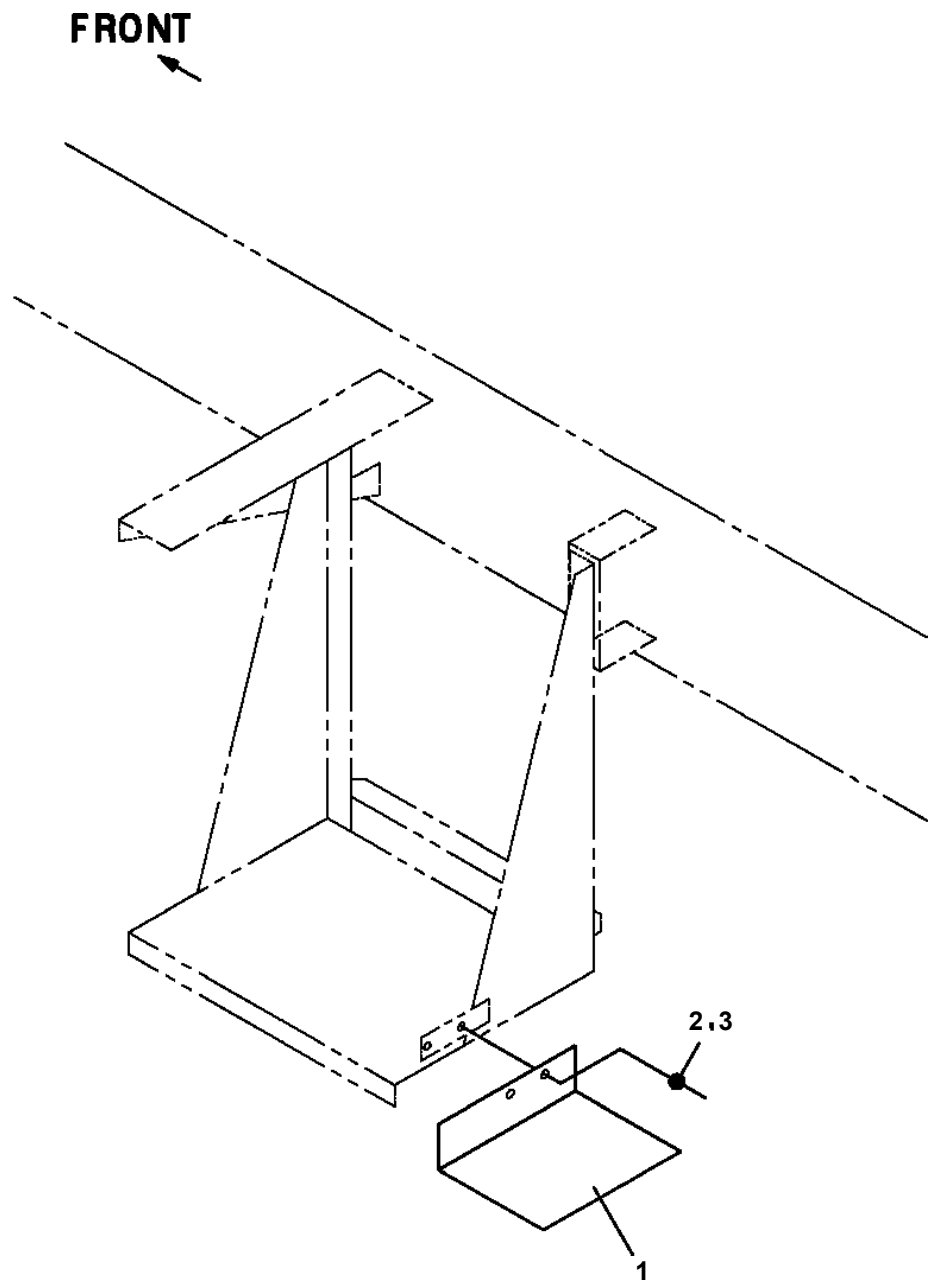


A

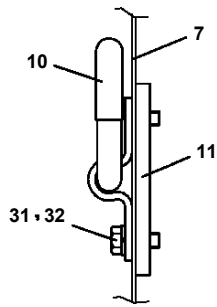


B

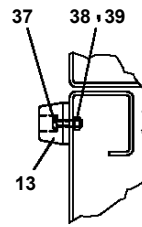
AT-100-4 42063442341 UPPER/LOWER,ISUZU BKG-NKR85AN-EE5AHY  
PX5670031-00 MOUNT ASSY,STEP



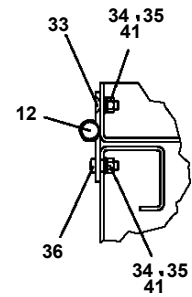
**AT-100-4 42063442341 UPPER/LOWER,ISUZU BKG-NKR85AN-EE5AHY  
PX5780042-01 MOUNT ASSY,TOOL BOX (LEFT & RIGHT,SLIDE/2010)**



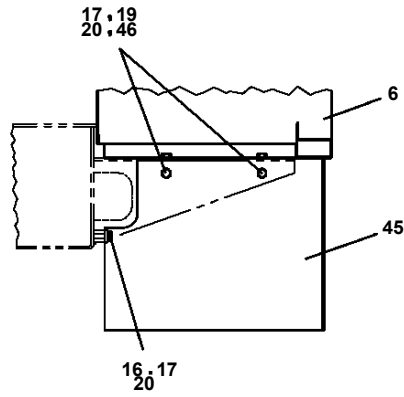
**C**  
(2 PLACES)



**D**  
(2 PLACES)



**E**  
(3 PLACES)

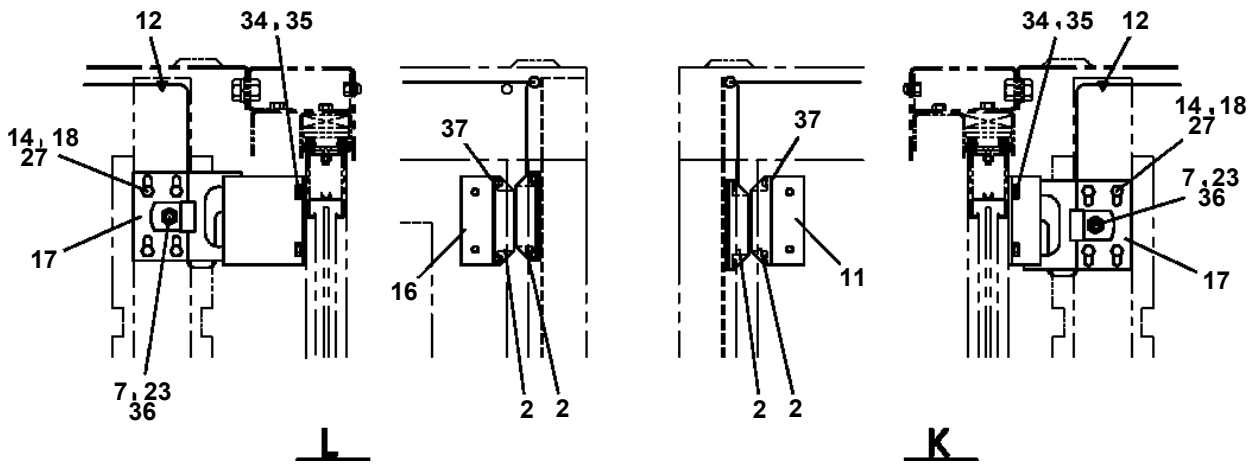
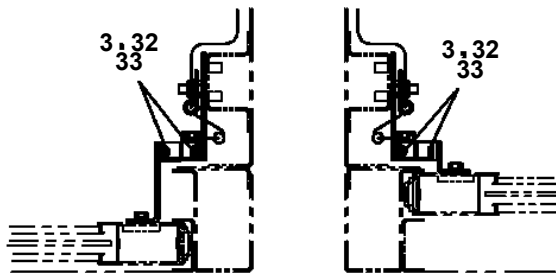
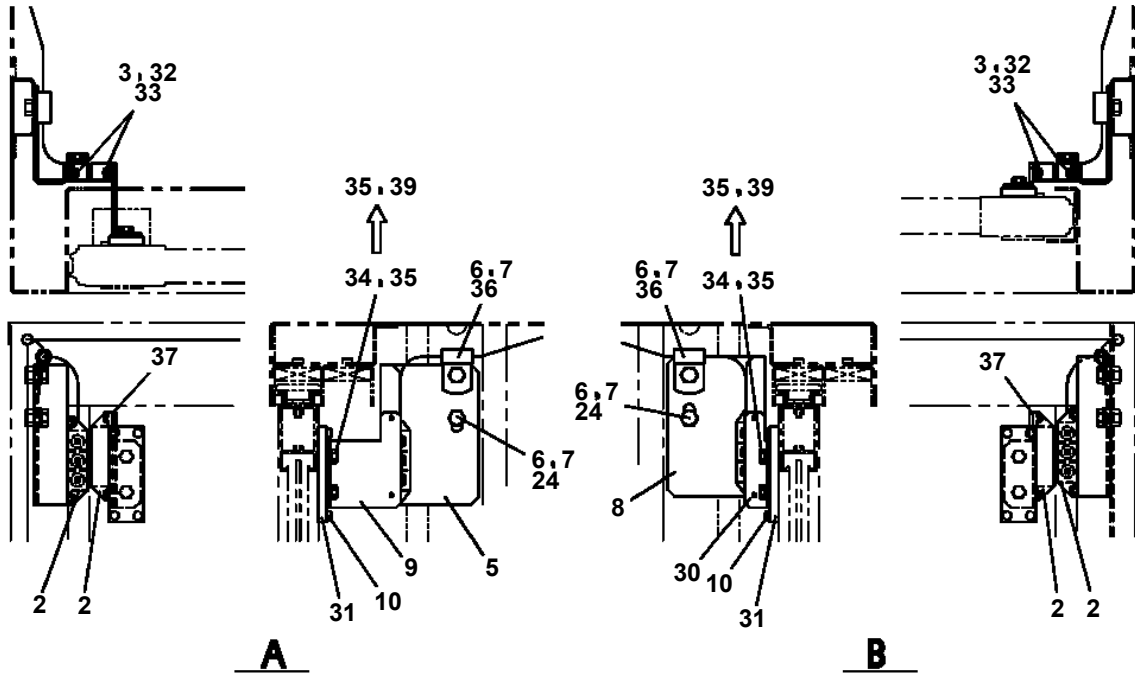


**H**

**AT-100-4 42063442341 UPPER/LOWER,ISUZU BKG-NKR85AN-EE5AHY**

| Pos No. | Parts No    | Parts Name                   | Qty | Unit | Technical Data | Serial No (Start) | Serial No (End) |
|---------|-------------|------------------------------|-----|------|----------------|-------------------|-----------------|
| 1       | 42470330000 | ROPE (SAFETY,YELLOW:TD-TYPE) | 1   |      |                |                   |                 |

**AT-100-4 42063442341 UPPER/LOWER, ISUZU BKG-NKR85AN-EE5AHY  
 PY1130036-01 INTERLOCK (TOOL BOX UNCLOSED/MITSUBISHI)**



**AT-100-4 42063442341 UPPER/LOWER,ISUZU BKG-NKR85AN-EE5AHY**

| Pos No. | Parts No    | Parts Name  | Qty | Unit | Technical Data | Serial No (Start) | Serial No (End) | Remarks | Pages |
|---------|-------------|-------------|-----|------|----------------|-------------------|-----------------|---------|-------|
| 1       | 42473340000 | STEP,BUCKET | 1   |      |                |                   |                 |         |       |

CLICK HERE TO **DOWNLOAD** THE COMPLETE MANUAL

- Thank you very much for reading the preview of the manual.
- You can download the complete manual from: [www.heydownloads.com](http://www.heydownloads.com) by clicking the link below



- Please note: If there is no response to CLICKING the link, please download this PDF first and then click on it.

CLICK HERE TO **DOWNLOAD** THE COMPLETE MANUAL