

AT-100-2 42084120600 LOWER,MITSUBISHI KK-FG50EB 11

PB3000027-00 POWER UNIT
PO1000149-00 INDICATION PLATES
PX2000299-01 CARRIER UNIT
PX3000214-00 MOUNTING UNIT
PY1000656-02 OPTIONS
ASSEMBLY

CLICK HERE TO **DOWNLOAD** THE COMPLETE MANUAL

- Thank you very much for reading the preview of the manual.
- You can download the complete manual from: www.heydownloads.com by clicking the link below



- Please note: If there is no response to CLICKING the link, please download this PDF first and then click on it.

CLICK HERE TO **DOWNLOAD** THE COMPLETE MANUAL

AT-100-2 42084120600 LOWER,MITSUBISHI KK-FG50EB 11

Pos No.	Parts No	Parts Name	Qty	Unit	Technical Data	Serial No (Start)	Serial No (End)
1	(*****)	POWER SUPPLY (LOWER)	1				
2	(*****)	BOX,TOOL (OPTION)	1				
3	(*****)	MOUNT,SUPPORT	1				
4	(*****)	EARTHING DEVICE (8X10M,OPTION)	1				
	(*****)	EARTHING DEVICE (8X20M)	1				
6	(*****)	OPE.ASSY (LEVELING/WITHOUT POWER SUPPLY)	1				
	(*****)	OPE.ASSY (LEVELING/WITH POWER SUPPLY)	1				
8	(*****)	STEP	1			217780	
9	(*****)	VIEW SYSTEM (FOR ISUZU/ST-900)	1				

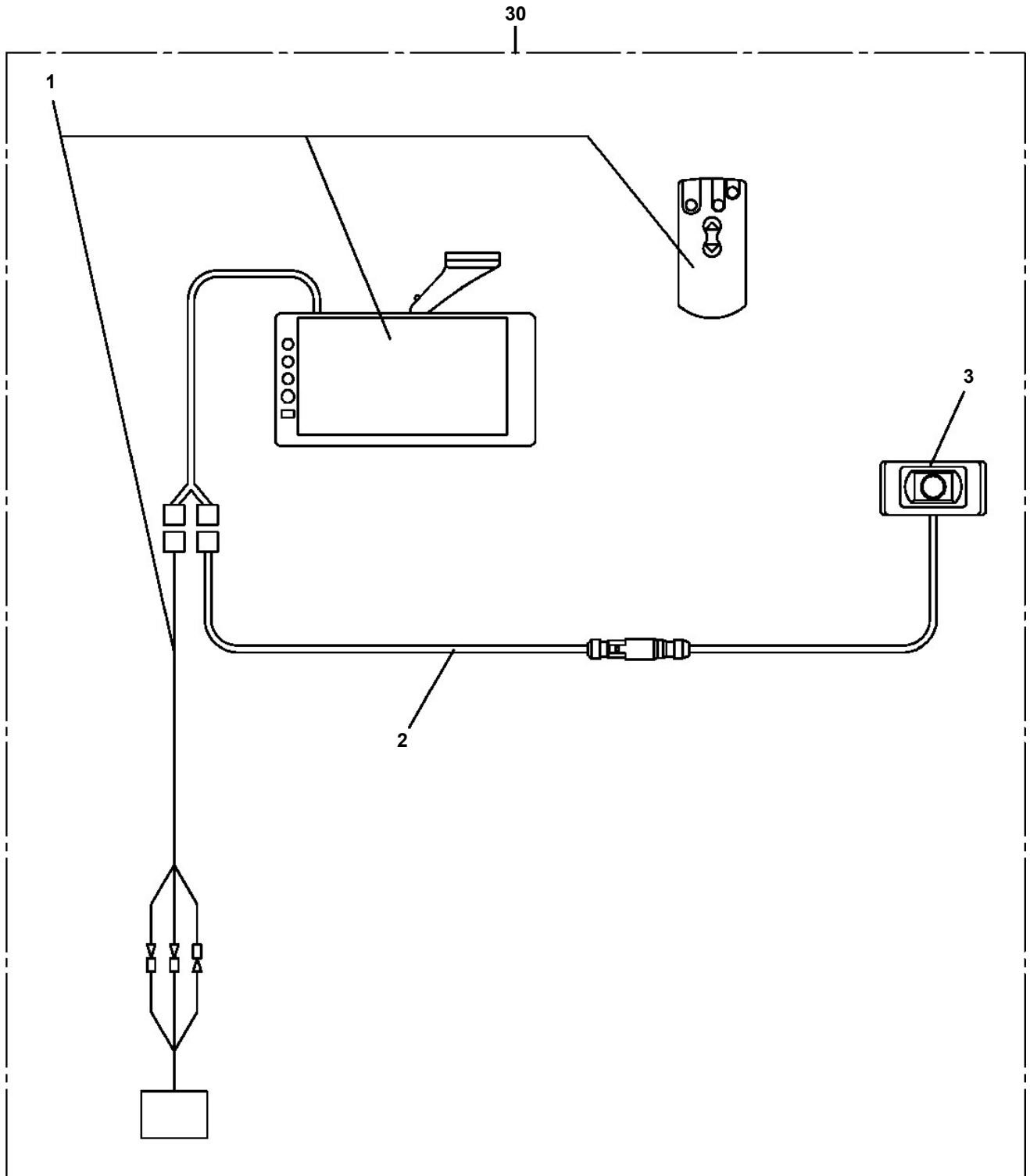
AT-100-2 42084120600 LOWER,MITSUBISHI KK-FG50EB 11

Pos No.	Parts No	Parts Name	Qty	Unit	Technical Data	Serial No (Start)	Serial No (End)	R
1	31611617590	MOTOR ASSY	1					
3	36653405040	CAP	1					
8	36652025040	O-RING	1		S55			
9	36652625030	VALVE,CHECK	1					
10	36652625040	PUMP ASSY	1					
27	36652665060	O-RING	1		P8			
29	36652665050	O-RING	1		P14			
33	19215105160	SEAL,OIL	1					
34	36652665020	RING,RETAINING	1					
50	36652620000	PUMP,HYDRAULIC (EMERGENCY)	1					

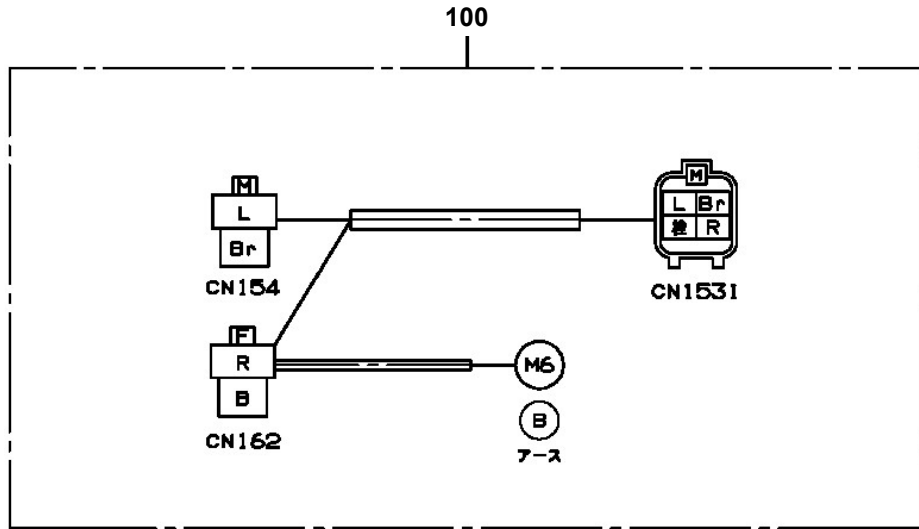
AT-100-2 42084120600 LOWER,MITSUBISHI KK-FG50EB 11

Pos No.	Parts No	Parts Name	Qty	Unit	Technical Data	Serial No (Start)	Serial No (End)	Remarks
2	90101208016	BOLT	2		M8X16			
3	90302040801	WASHER,SPRING	2		8			
5	90101210020	BOLT	2		M10X20			
6	90302041001	WASHER,SPRING	2		10			
7	80481403020	JOINT	2					
8	91002801400	O-RING	2		1B P14			
9	37002425720	HOSE	1		L=295			
10	37002407280	HOSE	1		L=335			
11	37002449130	HOSE	1		L=500			
12	37002465910	HOSE	2		L=580			
13	82100001411	TUBE,SPIRAL	1	M	SE-08BK			
14	81408000160	PIPE,STEEL	1	M	12X1.4T			
15	81408000160	PIPE,STEEL	1	M	12X1.4T			
16	37000924960	JOINT (WITH O-RING)	2					
17	42310825240	ORIFICE	2		0.8			
31	36646270000	VALVE,SOLENOID	1					
32	80302090141	FITTING	2		KCO12-020N			
33	91002801100	O-RING	15		1B P11			
34	42344511100	FITTING,FLANGE	1					
41	90172110050	BOLT,HEXAGON SOCKET	4		M10X50			
42	36624630000	VALVE,CHECK	1					
43	42344093100	JOINT	1					
44	80312140020	VALVE,BREATHER	2					
45	91002801400	O-RING	2		1B P14			
46	37000921950	JOINT	2					
48	80430620400	JOINT	2					
49	80316070040	PLUG	2		PF1/4			
50	80400160127	JOINT	2					
51	37000925690	JOINT	1					
52	80303130141	FITTING,ELBOW	2		KLO12-020E			

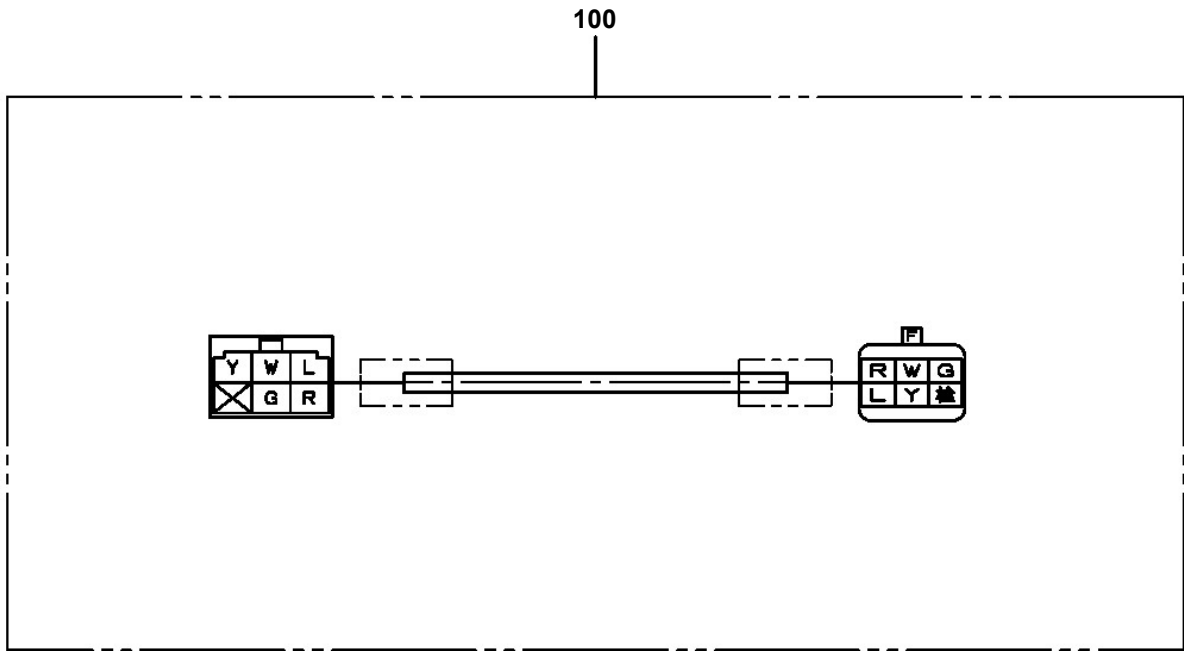
AT-100-2 42084120600 LOWER, MITSUBISHI KK-FG50EB 11
PH1700272-01 VIEW SYSTEM



AT-100-2 42084120600 LOWER, MITSUBISHI KK-FG50EB 11
PH5032160-00 HARNESS

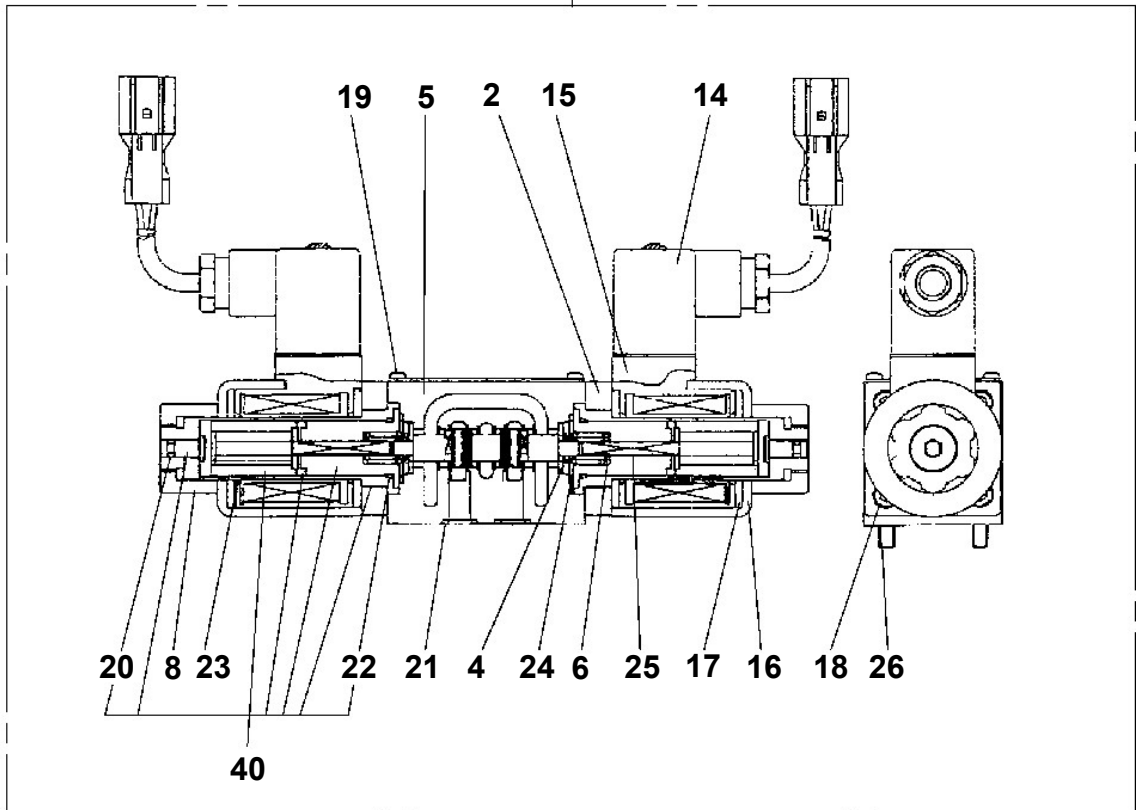


AT-100-2 42084120600 LOWER,MITSUBISHI KK-FG50EB 11
PH5034137-00 HARNESS

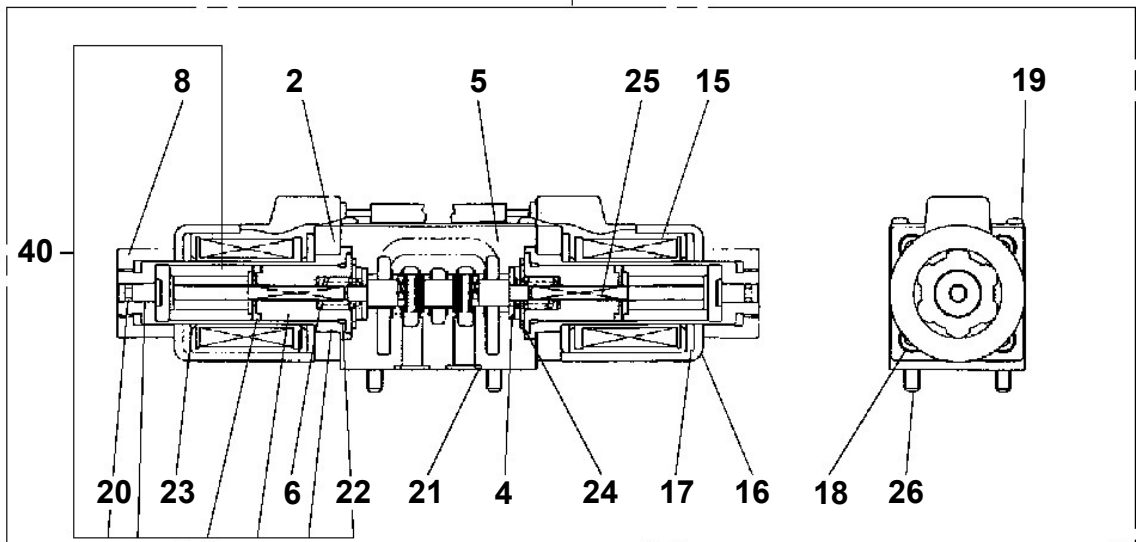


AT-100-2 42084120600 LOWER, MITSUBISHI KK-FG50EB 11
PI1120157-01 VALVE, SOLENOID

200



200



CLICK HERE TO **DOWNLOAD** THE COMPLETE MANUAL

- Thank you very much for reading the preview of the manual.
- You can download the complete manual from: www.heydownloads.com by clicking the link below



- Please note: If there is no response to CLICKING the link, please download this PDF first and then click on it.

CLICK HERE TO **DOWNLOAD** THE COMPLETE MANUAL

AT-100-2 42084120600 LOWER,MITSUBISHI KK-FG50EB 11

Pos No.	Parts No	Parts Name	Qty	Unit	Technical Data	Serial No (Start)	Serial No (End)	Remarks
4	36625115010	JOINT	1					
5	91002801800	O-RING	1		1B P18			
50	36625250000	VALVE,CHECK (UZUMAKI)	1					

AT-100-2 42084120600 LOWER,MITSUBISHI KK-FG50EB 11
 PL1920030-01 OPE.ASSY (LEVELING/WITHOUT POWER SUPPLY)

指示番号 KEY NO.	オペ .ASSY (レベ リンク /シ ョウブ ユアツトリタ シナシ:ウインチナシ) OPE.ASSY (LEVELING/WITHOUT POWER SUPPLY:WITHOUT WINCH)
1	マウント, サポ ート MOUNT, SUPPORT
2	ハイセンASSY (バケツ) ELEC.ASSY (BUCKET)
3	ハイセンASSY (スイング フレーム) ELEC.ASSY (SWING FRAME)
4	パ イピ ング PIPING
5	パ イピ ング ,アウトレツト PIPING, OUTLET
9	ハイセンASSY (ブーム) ELEC.ASSY (BOOM)

AT-100-2 42084120600 LOWER,MITSUBISHI KK-FG50EB 11

Pos No.	Parts No	Parts Name	Qty	Unit	Technical Data	Serial No (Start)	Serial No (End)
1	42479352100	HARNESS	1				
2	42479352400	HARNESS	1				
3	42331791200	SWITCH ASSY (WITH HARNESS,1 SW)	1				
4	42433932200	SWITCH ASSY (WITH HARNESS,1 SW)	1				
5	42950623050	PLATE,NAME	1				
6	42950566020	PLATE,NAME	1				
7	91810130240	FASTENER	15				
8	82197518114	CAP (MATSUSHITA/BLACK)	2				
	82197518119	CAP (PLUS ONE MFG./BLACK)	2				

AT-100-2 42084120600 LOWER,MITSUBISHI KK-FG50EB 11

Pos No.	Parts No	Parts Name	Qty	Unit	Technical Data	Serial No (Start)	Serial No (End)	Remarks	Pages
2	36160017530	WASHER,SPRING	1				217455		
3	36160017540	WASHER,PLAIN	1				217455		
4	36160655040	DRUM ASSY	1				217455		
5	36160017550	HANDLE	1						
6	36160655020	SHAFT	1						
7	36160017560	WASHER,PLAIN	1						
8	36160655050	PLATE (RING)	1						
10	36160017590	PLATE (CONTACT)	1						
50	36160650000	REEL,CORD	1						

AT-100-2 42084120600 LOWER,MITSUBISHI KK-FG50EB 11

Pos No.	Parts No	Parts Name	Qty	Unit	Technical Data	Serial No (Start)	Serial No (End)	Remarks	Pages
1	42862740100	FRAME	1						
2	42862740200	SUPPORT	6				217228		
	42862740200	SUPPORT	4			217229			
3	37000524530	PLATE	12						
4	37000555820	PLATE	12						
5	42862740300	SUPPORT	2			217229			

AT-100-2 42084120600 LOWER,MITSUBISHI KK-FG50EB 11

Pos No.	Parts No	Parts Name	Qty	Unit	Technical Data	Serial No (Start)	Serial No (End)	Remarks	Pages
1	42843890100	WEIGHT	1						
2	90171122065	BOLT	4		M22X65				
3	90303502201	WASHER,PLAIN	4		22				
4	42843890010	SUPPORT	1						
5	90101208016	BOLT	2		M8X16				
6	90302040801	WASHER,SPRING	2		8				

AT-100-2 42084120600 LOWER,MITSUBISHI KK-FG50EB 11

Pos No.	Parts No	Parts Name	Qty	Unit	Technical Data	Serial No (Start)	Serial No (End)	Remarks	P
1	42833807520	BODY,BOX	1						
2	42833607520	WINDOW	1						
3	42833607530	WINDOW	1						
5	42833607570	BOLT ASSY	4						
6	42833607620	CUSHION	2						
7	42833077560	PLATE	6						
8	42833607540	CATCH (WITH KEY)	2						
9	42833607550	CATCH (WITHOUT KEY)	2						
10	42833607560	GAS SPRING	2						
11	82464110008	HINGE	6						
12	42833607590	STRIKER	2						
13	42833157590	STRIKER	2						
14	42833077610	BUSH	8						
15	42833607600	WEATHER STRIP	2		L=3540				
31	42833607700	KEY	2						
50	42833802000	BOX,TOOL (RIGHT)	1						

AT-100-2 42084120600 LOWER,MITSUBISHI KK-FG50EB 11

Pos No.	Parts No	Parts Name	Qty	Unit	Technical Data	Serial No (Start)	Serial No (End)	Remarks	Pages
1	42737771000	SUPPORT ASSY	1						
2	90101208020	BOLT	4		M8X20				
3	90302040801	WASHER,SPRING	4		8				
21	42737771100	SUPPORT	1						
22	37000127600	PIN	2						
23	80136350036	PIN,SPLIT	4		5X36				
24	82441111615	SPRING	1				217587		
25	37001110060	ROLLER	2						
26	42737771400	SUPPORT	1						
27	90101208014	BOLT	2		M8X14		217587		
	90101208018	BOLT	2		M8X18	217588			
28	80824003540	BEARING,PLAIN	1						
29	42737771200	SUPPORT	1						
30	90101210020	BOLT	2		M10X20				
31	90302040801	WASHER,SPRING	2		8				
32	42737771300	PIN	1						
33	90303072001	WASHER,PLAIN	8		20				
34	90302041001	WASHER,SPRING	2		10				
44	42737771500	SUPPORT	1			217588			

CLICK HERE TO **DOWNLOAD** THE COMPLETE MANUAL

- Thank you very much for reading the preview of the manual.
- You can download the complete manual from: www.heydownloads.com by clicking the link below



- Please note: If there is no response to CLICKING the link, please download this PDF first and then click on it.

CLICK HERE TO **DOWNLOAD** THE COMPLETE MANUAL