

AT-100-1 42063121001 UPPER,LOWER,MITSUBISHI KC-FE567B4KM

PB0000263-00 UPPER STRUCTURE SYSTEM

PB0000500-02 LOWER STRUCTURE SYSTEM

ASSEMBLY

CLICK HERE TO **DOWNLOAD** THE COMPLETE MANUAL

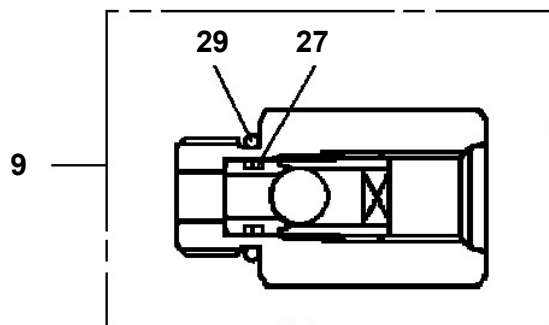
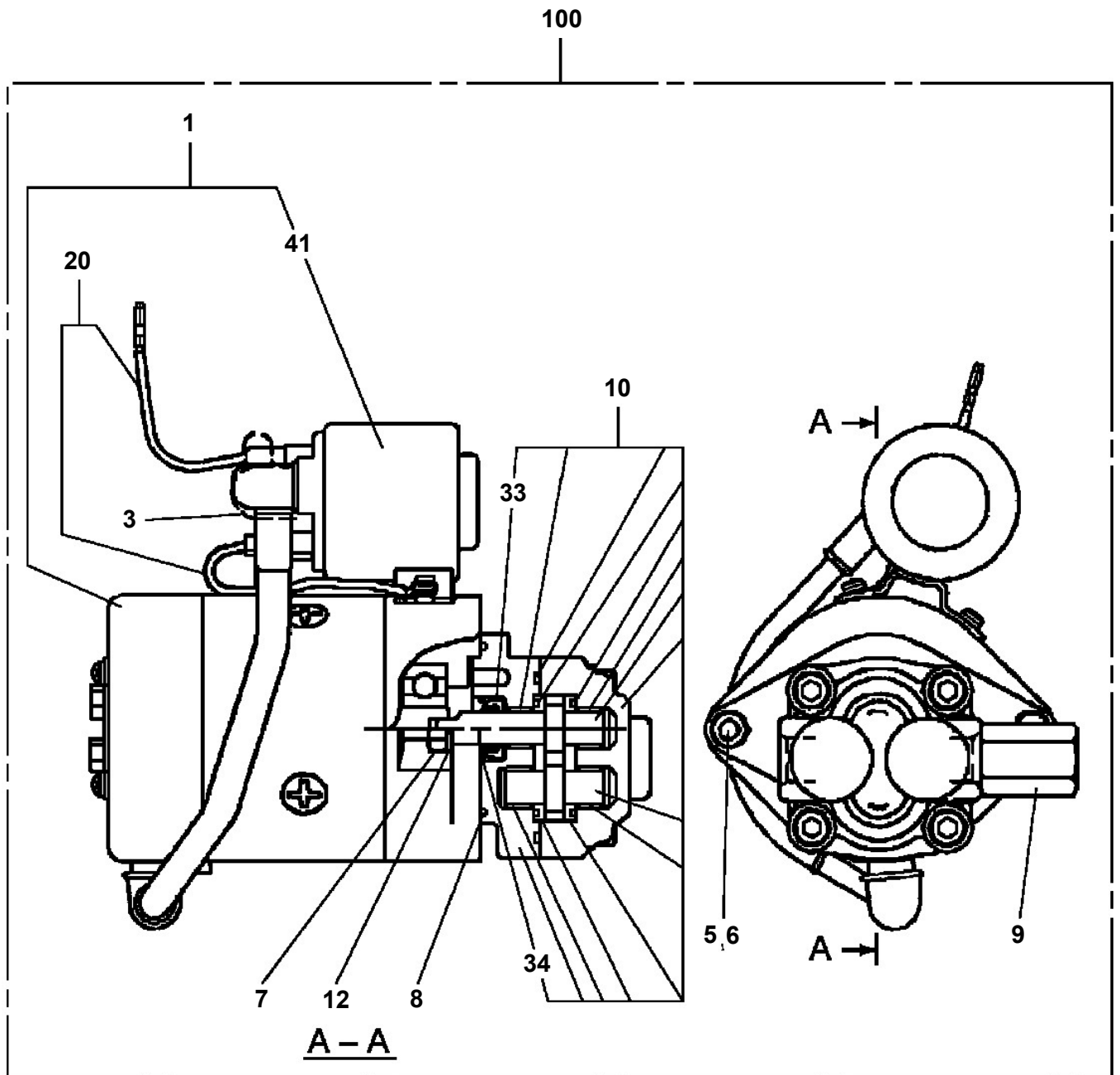
- Thank you very much for reading the preview of the manual.
- You can download the complete manual from: www.heydownloads.com by clicking the link below



- Please note: If there is no response to CLICKING the link, please download this PDF first and then click on it.

CLICK HERE TO **DOWNLOAD** THE COMPLETE MANUAL

AT-100-1 42063121001 UPPER,LOWER,MITSUBISHI KC-FE567B4KM
PB1100277-01 PUMP,HYDRAULIC



AT-100-1 42063121001 UPPER,LOWER,MITSUBISHI KC-FE567B4KM
PB1320001-00 VALVE,MANUAL CONTROL

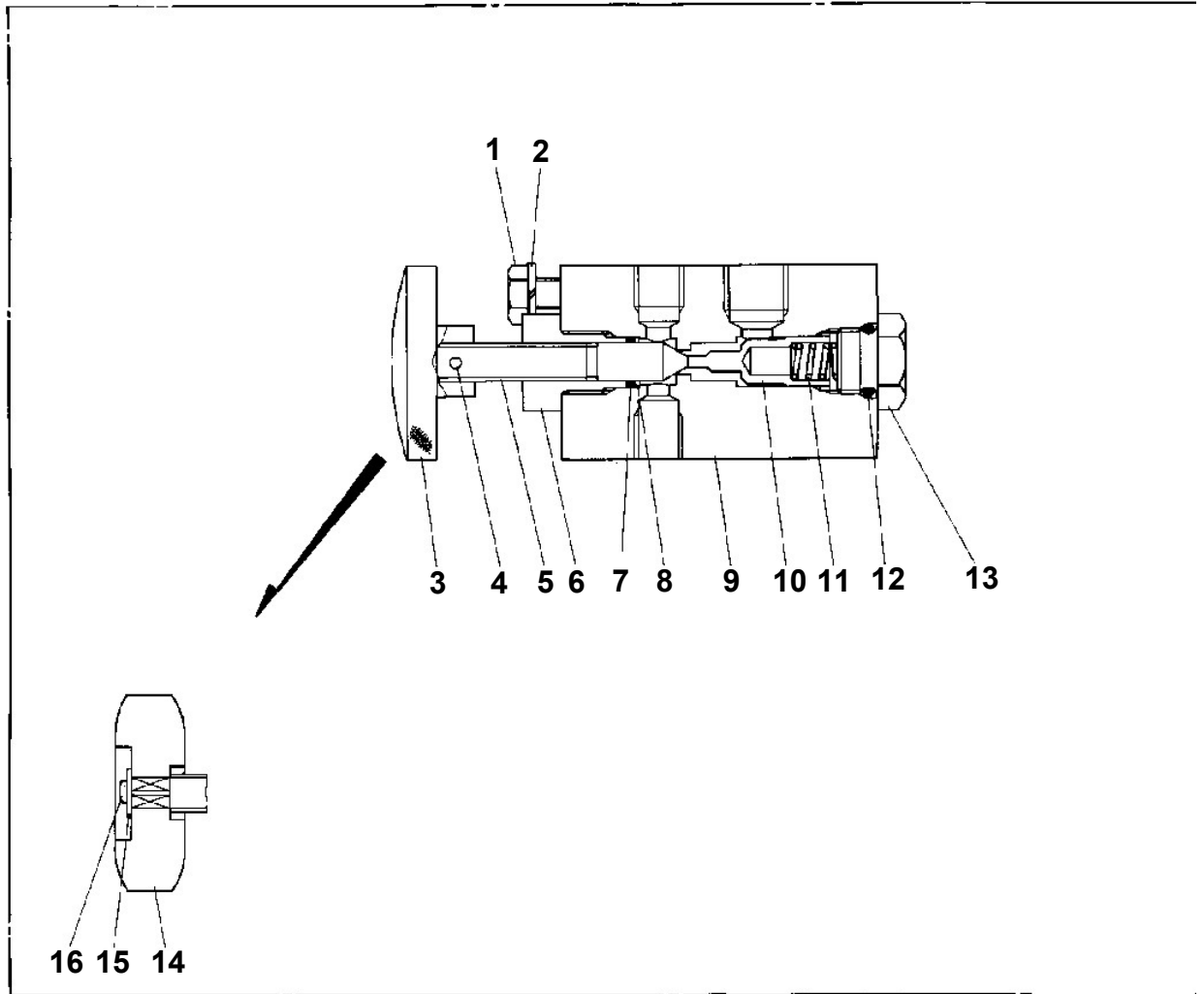
Assembly

Name

VALVE, MANUAL CONTROL

FDI

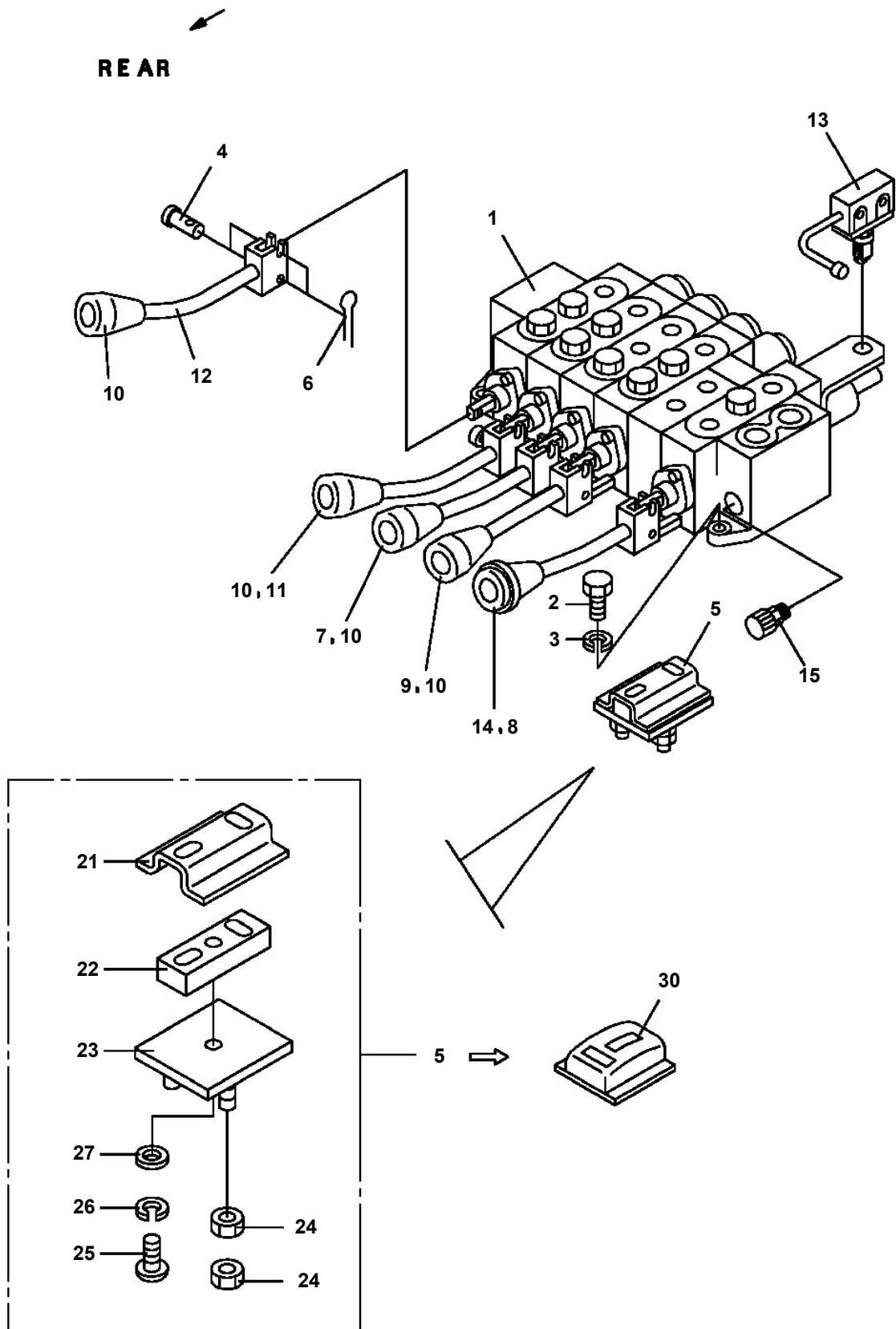
20



AT-100-1 42063121001 UPPER,LOWER,MITSUBISHI KC-FE567B4KM

Pos No.	Parts No	Parts Name	Qty	Unit	Technical Data	Serial No (Start)	Serial No (End)	Remarks
1	(*****)	PUMP INSTALLATION	1					
2	(*****)	MOUNT,PUMP (EMERGENCY)	1					

AT-100-1 42063121001 UPPER,LOWER,MITSUBISHI KC-FE567B4KM
PC1100136-03 OPERATION SYSTEM, OUTRIGGER



AT-100-1 42063121001 UPPER,LOWER,MITSUBISHI KC-FE567B4KM

Pos No.	Parts No	Parts Name	Qty	Unit	Technical Data	Serial No (Start)	Ser
1	36081325090	RING,SNAP	1				
2	36081325010	SPACER	1				
3	36081325080	SHIM SET	1				
4	36081325110	BEARING,TAPER ROLLER	1				
5	36081325020	WORM	1				
6	36081325120	BEARING,TAPER ROLLER	1				
7	36080755040	GAUGE,OIL	1				
8	36080235080	WASHER,SEAL	1		M16		
9	80316090060	PLUG	1		KKT PT3/8		
12	91280431931	SEAL,OIL	1				
13	36081325050	CASE,GEAR	1				
14	36081325130	BEARING,BALL(METAL SHIELD TYPE 6210ZZC3)	1				
15	36081325140	BEARING,BALL (RUBBER SEAL TYPE 6210LLU)	1				
16	36080495050	BOLT,SEMS (M10X25,WITH WASHER)	9				
17	36080505080	KEY	1				
18	36081325060	WHEEL,WORM	1				
19	36081325070	CASE,GEAR	1				
20	80500006209	BEARING,BALL	1				
21	80601110450	RING,RITAINING	1		S45		
22	36080015000	PIN	2				
23	82400000478	BREATHER	1				
31	36081325500	GEAR,SPUR	1				
50	36081320000	REDUCER,SWING SPEED	1				

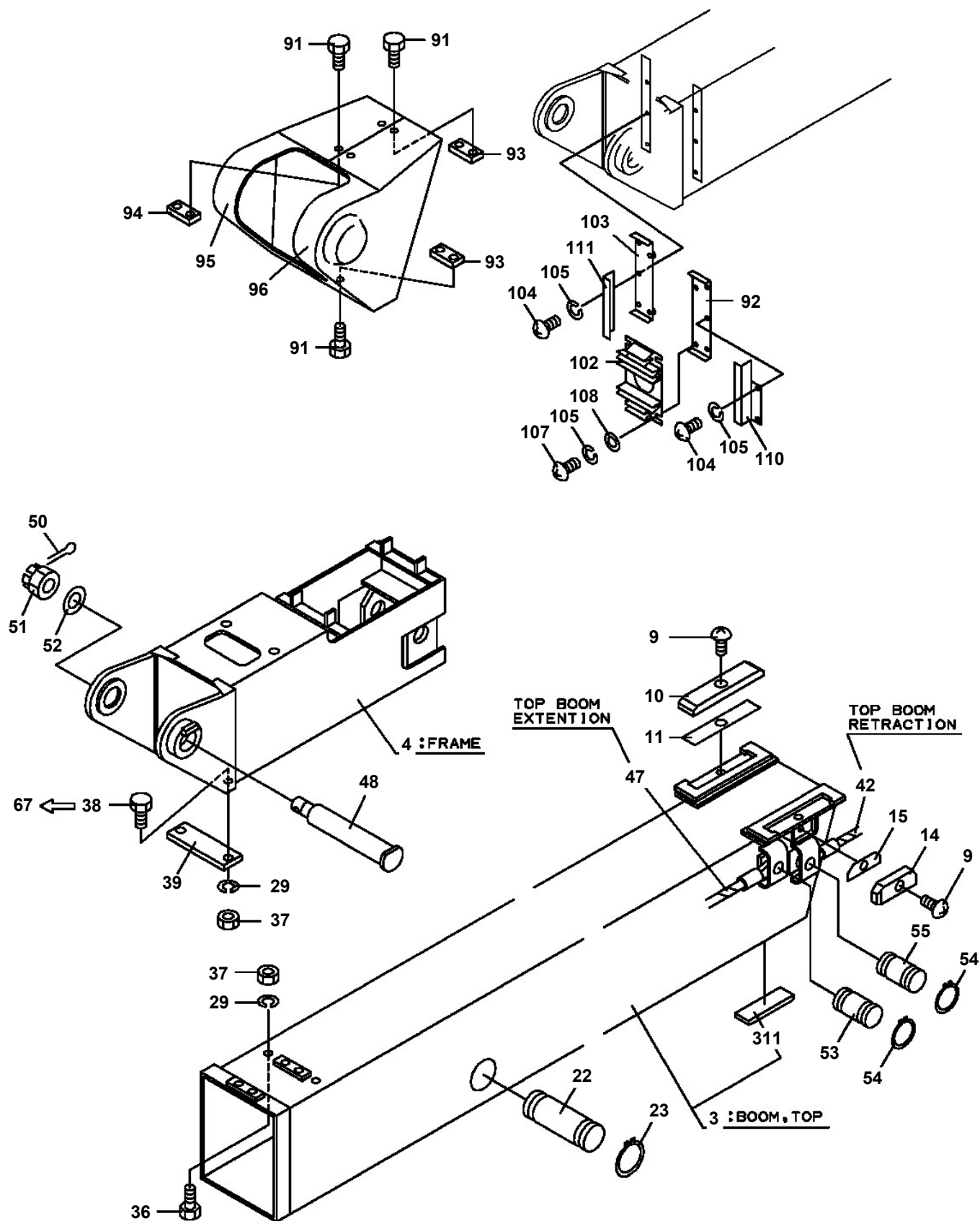
AT-100-1 42063121001 UPPER,LOWER,MITSUBISHI KC-FE567B4KM

Pos No.	Parts No	Parts Name	Qty	Unit	Technical Data	Serial No (Start)	Serial No (End)
1	36024430000	CYLINDER,LEVELING	1				
11	36024439510	CYLINDER ASSY	1				
12	80136350045	PIN,SPLIT	1		5X45		
13	90236402409	NUT,CASTLE	1		M24		
14	36024260020	PISTON	1				
15	91350207500	BEARING,PLAIN (WITH PACKINGX2)	1				
16	91002802000	O-RING	1		1B P20		
17	36024439520	ROD ASSY	1				
18	36024269530	COVER,ROD	1				
19	80612110400	RING,RITAINING	1		AR40		
20	91002907000	O-RING	1		1B G70		
21	80801003525	BEARING,PLAIN	1				
22	91694003500	PACKING	1				
23	91410203501	RING,BACKUP	1				
24	91660003500	SEAL,DUST	1				
25	80622000350	RING,RITAINING	1		SP35		
26	80530000213	BEARING,SPHERICAL	1				
27	80801003030	BEARING,PLAIN	1				
40	36024429900	PACKING SET	1		35X75		

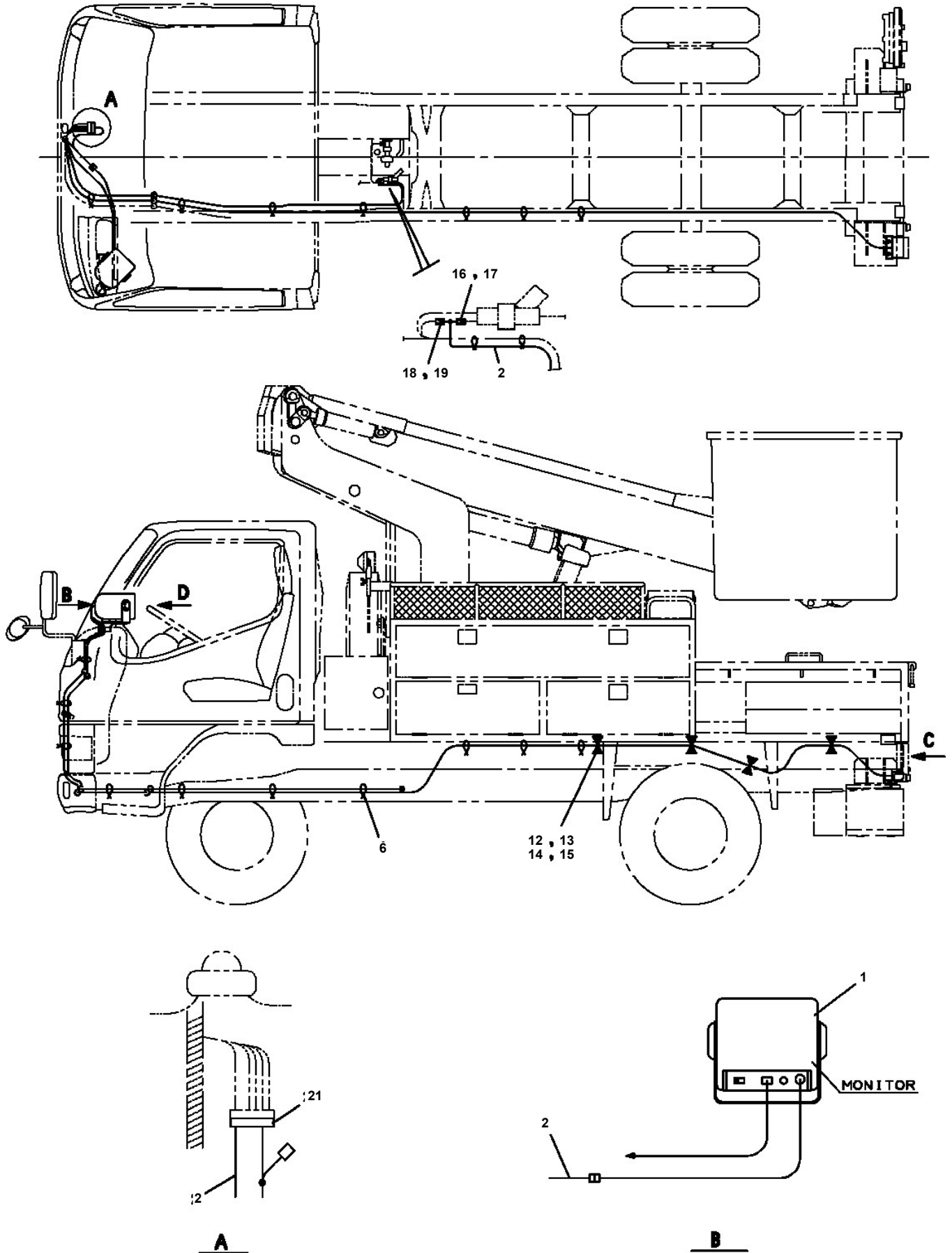
AT-100-1 42063121001 UPPER,LOWER,MITSUBISHI KC-FE567B4KM

Pos No.	Parts No	Parts Name	Qty	Unit	Technical Data	Serial No (Start)	Serial No (End)
1	37002510130	HOSE	1		L=2880		
2	91810130240	FASTENER	15				
3	91803600200	CLIP	4		D=13-20		
4	35530014000	JOINT	1				
6	90101208020	BOLT	4		M8X20		
7	90302040801	WASHER,SPRING	13		8		
8	37002405500	HOSE	1		L=710		
9	81408000241	PIPE,STEEL	1	M	18X1.9T		
10	37002417470	HOSE	1		L=630		
11	37002439370	HOSE	1		L=530		
12	80305050160	FITTING,TEE	1		KTK18-040N		
13	80302090141	FITTING	1		KCO12-020N		
14	91002801100	O-RING	4		1B P11		
15	80303030100	FITTING,ELBOW	1		KLN10-020N		
16	81408000130	PIPE,STEEL	1	M	10X1.8T		
17	81408000241	PIPE,STEEL	1	M	18X1.9T		
18	81408000160	PIPE,STEEL	1	M	12X1.4T		
19	42475373200	COVER	1				
20	90101208012	BOLT	7		M8X12		
21	80430420850	JOINT	2				
22	80305030120	FITTING,TEE	1		KTN18-040N		
23	37000711180	CLAMP ASSY	1		18X3		
25	90101208050	BOLT	2		M8X50		
26	80320030140	FITTING,ELBOW	2		KLE18-040N		
27	82100002040	CLAMP	2		WE15		
28	82100001412	TUBE,SPIRAL	1		SE-12BK		
29	37002411650	HOSE	2		L=850		
30	42475373500	ORIFICE	2				
31	37000924410	JOINT	2		PF1/4-PF1/4		
32	81408000160	PIPE,STEEL	1	M	12X1.4T		
33	81408000160	PIPE,STEEL	1	M	12X1.4T		
34	90303070801	WASHER,PLAIN	7		8		
35	37000521670	PLATE	1				
36	81408000130	PIPE,STEEL	1	M	10X1.8T		
37	80307030180	FITTING	1		KGA10-030N		
38	14115209000	PACKING	1				
39	80311010140	FITTING	1		KRE12X100N		
40	80305151202	FITTING,TEE	1		KTK012-020N		
41	36681370000	GAUGE,PRESSURE	1				
42	80172304010	SCREW,MACHINE	3		M4X10		
43	90302040401	WASHER,SPRING	3		4		
44	90303070401	WASHER,PLAIN	3		4		
45	90101210020	BOLT	3		M10X20		
46	90302041001	WASHER,SPRING	3		10		
47	90201201000	NUT	3		M10		
48	42476791100	SUPPORT	1				
49	42476791200	COVER	1				
50	80182306016	SCREW,MACHINE	4		M6X16		
51	90302040601	WASHER,SPRING	4		6		
52	81408000241	PIPE,STEEL	1		18X1.9T		
53	81408000241	PIPE,STEEL	1		18X1.9T		
54	81408000241	PIPE,STEEL	1		18X1.9T		
55	81408000241	PIPE,STEEL	1		18X1.9T		
61	36646180000	VALVE,CONTROL	1				
62	80302090251	FITTING	1		KCO018-060N		
63	80313020100	GASKET	1				
64	80302090151	FITTING	3		KCO12-040N		
65	80313020080	GASKET	5				
66	80400160176	JOINT	2		S,G1/2-1/4		
67	42420121210	HARNES	2				
68	82100002361	RESISTANCE	2				
69	82100001672	TUBE	1	M	4X0.5		
81	80147310420	RIVET	8		3.2X6		

**AT-100-1 42063121001 UPPER,LOWER,MITSUBISHI KC-FE567B4KM
PG1010440-06 BOOM**



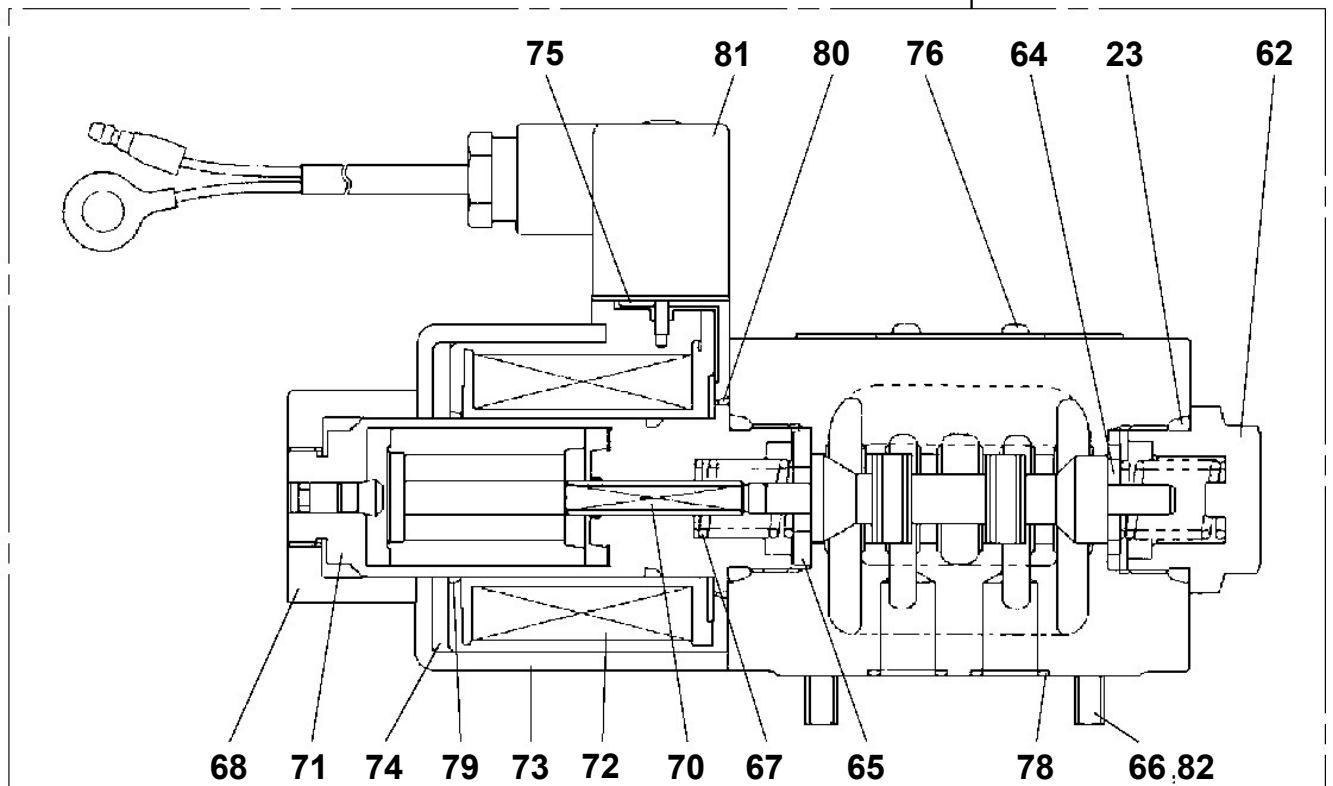
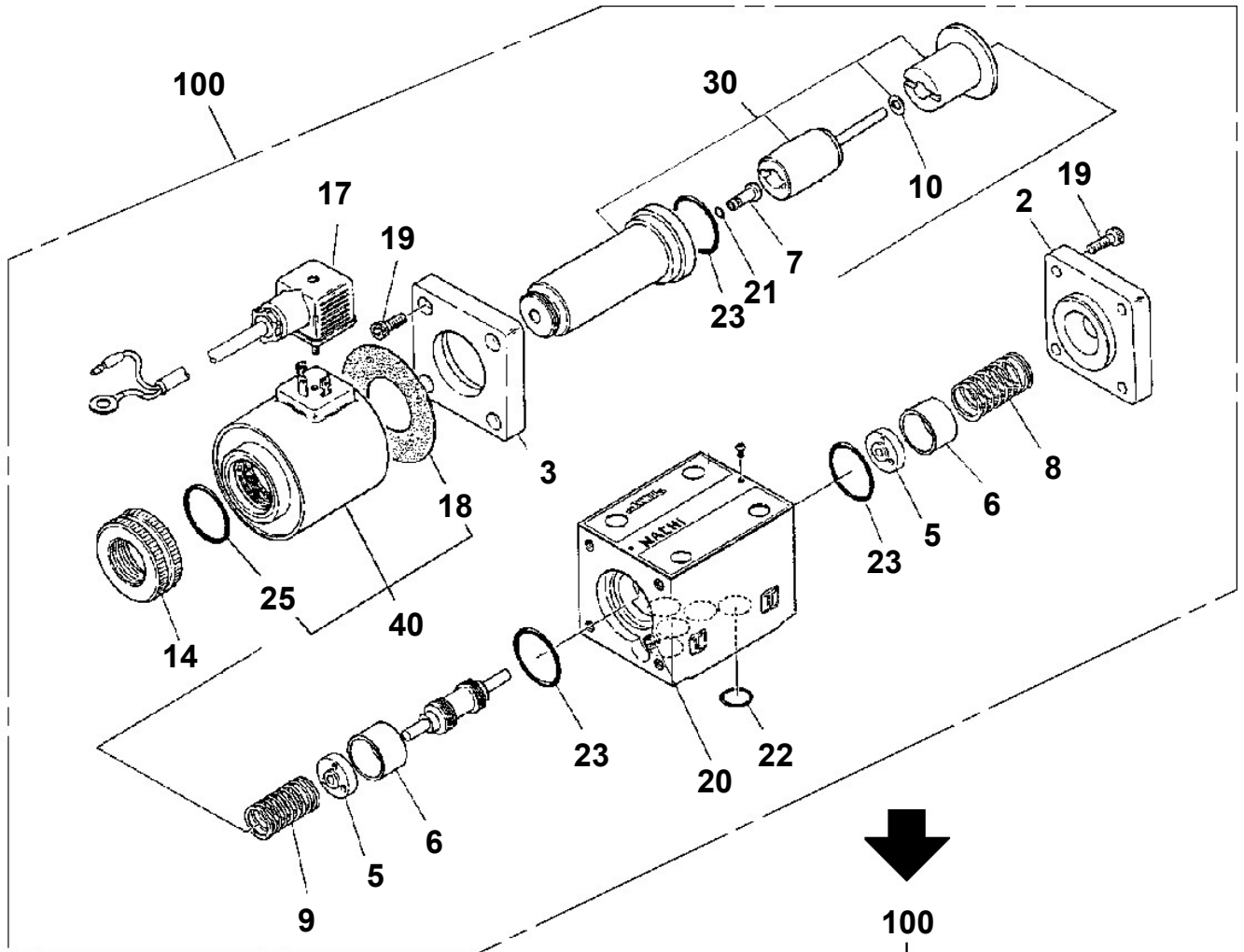
**AT-100-1 42063121001 UPPER,LOWER,MITSUBISHI KC-FE567B4KM
PH1700107-00 VIEW SYSTEM (CAMERA&MONITOR,MITSUBISHI)**



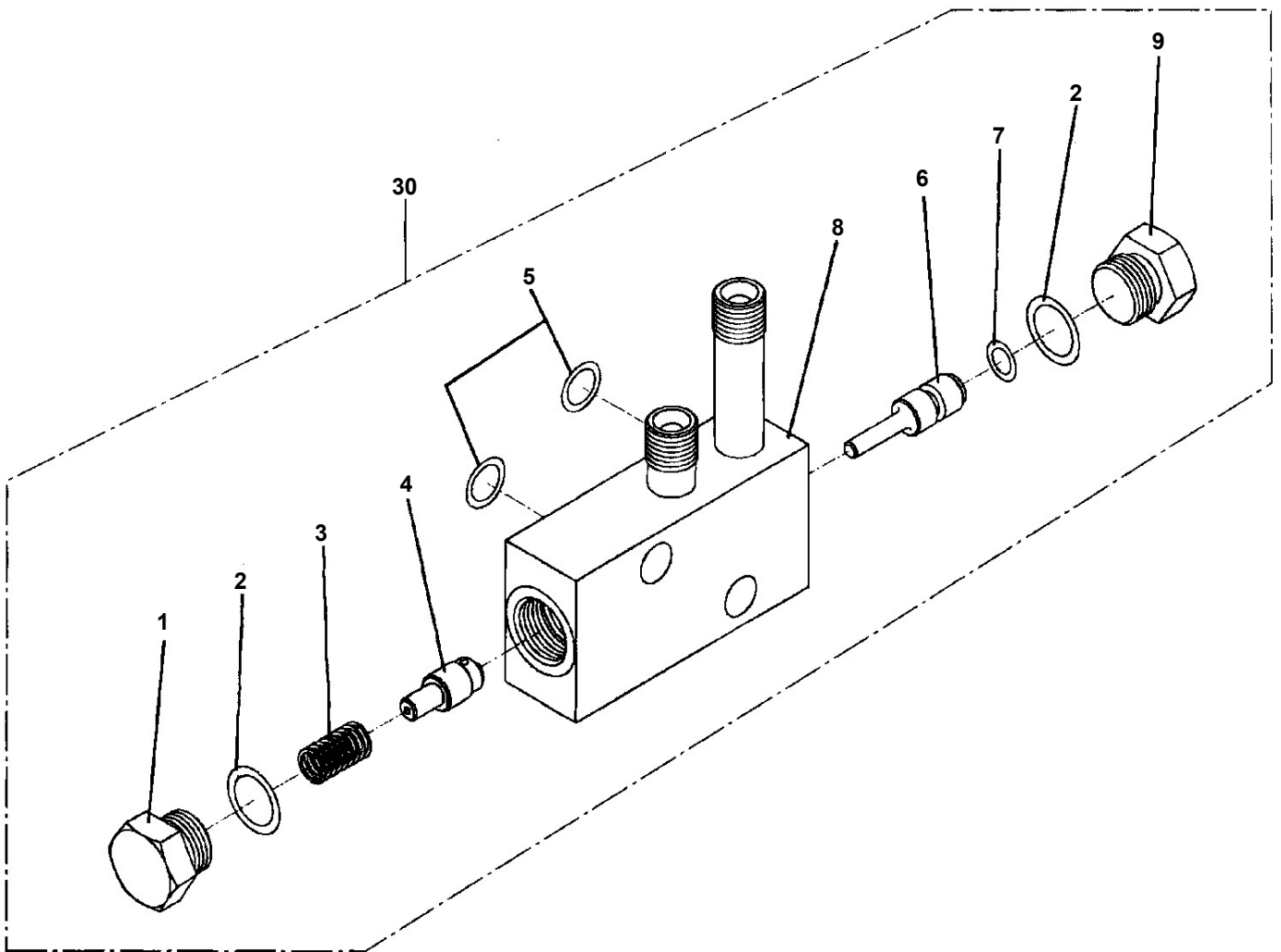
AT-100-1 42063121001 UPPER,LOWER,MITSUBISHI KC-FE567B4KM

Pos No.	Parts No	Parts Name	Qty	Unit	Technical Data	Serial No (Start)	Serial No (End)	Remarks	Pages
100	42420121210	HARNESS	1						

**AT-100-1 42063121001 UPPER,LOWER,MITSUBISHI KC-FE567B4KM
PI1120210-02 VALVE,SOLENOID**

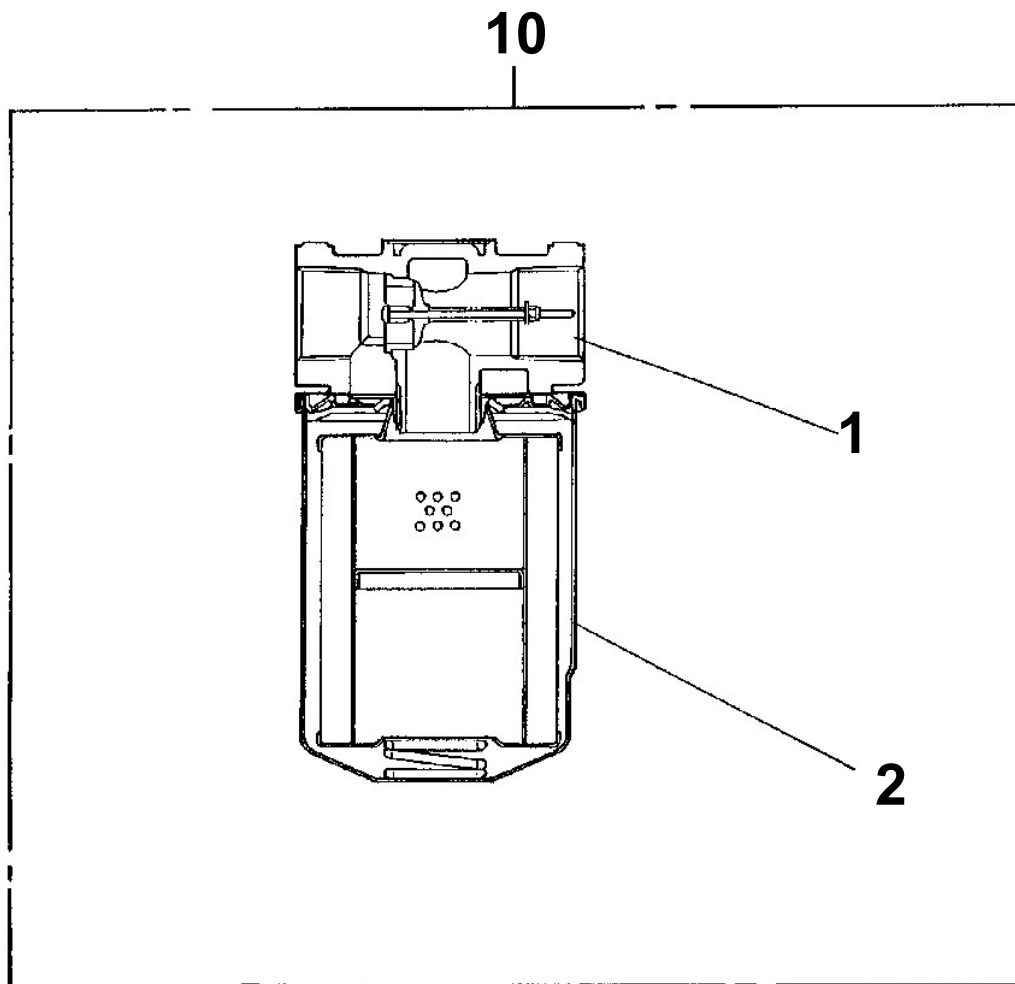


AT-100-1 42063121001 UPPER,LOWER,MITSUBISHI KC-FE567B4KM
PI1140134-00 VALVE,CHECK



AT-100-1 42063121001 UPPER,LOWER,MITSUBISHI KC-FE567B4KM
PI1300061-02 FILTER,OIL (YAMASHIN)

Assembly Name FILTER, OIL



AT-100-1 42063121001 UPPER,LOWER,MITSUBISHI KC-FE567B4KM

Pos No.	Parts No	Parts Name	Qty	Unit	Technical Data	Serial No (Start)	Serial No (End)	Remarks
1	42262250300	BUCKET	1					
2	90101512065	BOLT	6		M12X65			
3	90302041201	WASHER,SPRING	6		12			
4	90303071201	WASHER,PLAIN	6		12			
5	42262050010	PLATE	2					
7	42262251000	FRAME ASSY	1					
8	80601110750	RING,RITAINING	1		S75			
10	82456101000	NIPPLE,GREASE	1		A-PT1/8			
11	82400000459	CAP	1					
12	37000159360	PIN	1					
13	80136363050	PIN,SPLIT	1		6.3X50			
14	90171110030	BOLT	4		M10X30			
15	90302041001	WASHER,SPRING	4		10			
16	90303071001	WASHER,PLAIN	4		10			
17	90102212040	BOLT	2		M12X40			
18	90201201200	NUT	2		M12			
19	37000558380	PLATE	2					
21	42262250400	PANEL	1					
22	37001506520	BOLT	4		M8X15			
31	42262058010	POST ASSY	1					
33	90171112050	BOLT	4		M12X50			
34	90201701200	NUT	4		M12			
35	90303501201	WASHER,PLAIN	4		12			
36	80730100032	PIN	2		10X32			
37	80801003540	BEARING,PLAIN	2					
42	80513006015	BEARING,BALL	2					
51	42262253100	COVER	1					
52	42262054200	COVER	1					
53	42262054300	COVER	1					
54	37001506520	BOLT	8		M8X15			
67	80601110200	RING,RITAINING	1		S20			
82	90302040801	WASHER,SPRING	4		8			
84	37000305800	SPACER	1					
85	42260183050	GEAR,WORM	1					
86	37000305790	SPACER	1		L=25			
88	42260515010	COVER	1					
89	42260511830	SHIM	3		T=0.5			
90	42260515150	SHIM	2		T=0.2			
91	80513006204	BEARING,BALL	2					
92	80963112190	KEY	1					
132	42262252100	WHEEL,WORM	1					
141	42262053400	MOTOR,ELECTRIC	1					
142	90172105022	BOLT,HEXAGON SOCKET	3		M5X22			
143	90302040501	WASHER,SPRING	3		5			
145	80913112140	KEY	2					
146	42262056100	GEAR ASSY	1					
147	44260300130	PLATE	1					
148	44260300210	SUPPORT	1					
149	44260300221	COUPLING	1				216996	
161	42262053410	MOTOR,ELECTRIC	1					
162	44260301150	COVER	1					
163	91810132530	FASTENER	2					
171	901711108016	BOLT	4		M8X16			
173	42262056200	SUPPORT	1					
177	42262056110	SHAFT	1					
194	90710004080	SCREW,SET	2				216996	
200	90710004040	SCREW,SET	1		M4X4			
201	44260300600	COUPLING	1			216997		
211	44260307510	GEAR ASSY (WHEEL)	1					
212	44260307530	WASHER,TOOTH	1					
221	42264040800	WHEEL,WORM	1			217098		
222	42264040700	STOPPER	1			217098	217421	
	42265680200	STOPPER	1			217422		

AT-100-1 42063121001 UPPER,LOWER,MITSUBISHI KC-FE567B4KM

Pos No.	Parts No	Parts Name	Qty	Unit	Technical Data	Serial No (Start)	Serial No (End)	Remarks
1	42230671001	TABLE,SLEWING	1					
2	37000558530	PLATE	3		T=9			
3	90191510020	BOLT,HEXAGON SOCKET	6		M10X20			
4	90302041001	WASHER,SPRING	8		10			
5	42230670100	COVER	1					
6	90101208016	BOLT	4		M8X16			
7	90302040801	WASHER,SPRING	4		8			
8	82458202000	NIPPLE,GREASE	1		B-TYPE PT1/8			
9	82400000459	CAP	1					
10	31630030011	PLATE	1					
11	37000160880	PIN	1					
12	37000535670	PLATE	1		T=9			
13	90101520030	BOLT	1					
14	90302042001	WASHER,SPRING	1		20			
15	37000148780	PIN	1					
16	37000159250	PIN	1					
17	90171110025	BOLT	2		M10X25			
18	82400000347	GROMMET	1		L=320			

AT-100-1 42063121001 UPPER,LOWER,MITSUBISHI KC-FE567B4KM

Pos No.	Parts No	Parts Name	Qty	Unit	Technical Data	Serial No (Start)	Serial No
1	42330991003	BOX,OPERATION	1				
2	42431280100	PLATE	1				
3	90101208020	BOLT	5		M8X20		
4	90302040801	WASHER,SPRING	5		8		
5	90303070801	WASHER,PLAIN	3		8		
6	91810130240	FASTENER	10				
9	90190110030	BOLT	1		M10X30		
10	90201501000	NUT	1		M10		
11	42331540100	SUPPORT	1				
12	82104501250	SWITCH,LIMIT (2 PCS/SET,WITH HARNESS)	1				

AT-100-1 42063121001 UPPER,LOWER,MITSUBISHI KC-FE567B4KM

Pos No.	Parts No	Parts Name	Qty	Unit	Technical Data	Serial No (Start)	Serial No (End)	Re
1	36643965010	VALVE,PUMP (PVP)	1					
3	36645205030	ACTUATOR (MACHANICAL)	2					
4	36646185010	ACTUATOR (ELECTRICAL)	1					
5	36646255060	ACTUATOR (ELECTRICAL)	1					
6	36646185030	VALVE,CONTROL	1					
7	36646185040	VALVE,CONTROL (TRAVERSER)	1					
8	36643975040	PLATE (END)	1					
9	36634745020	ASSEMBLY KIT (PVAS)	1					
10	36645205070	SEAL KIT	2					
11	36644325010	SEAL KIT	2					
12	36645205080	SEAL KIT	2					
13	36643975430	CONNECTOR	2					
31	36643975540	SEAL KIT (FOR PVP)	1					
100	36646180000	VALVE,CONTROL	1					

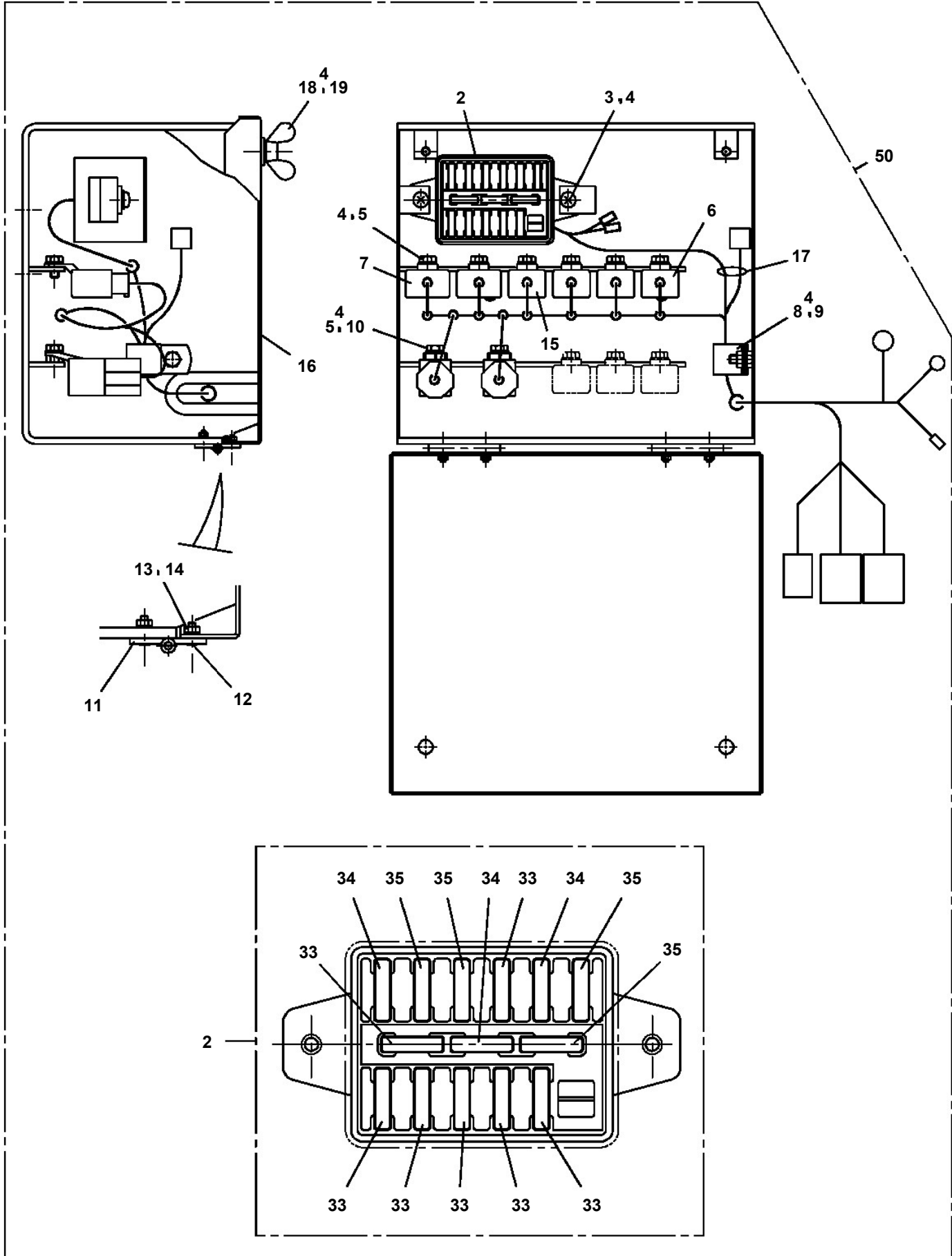
AT-100-1 42063121001 UPPER,LOWER,MITSUBISHI KC-FE567B4KM

Pos No.	Parts No	Parts Name	Qty	Unit	Technical Data	Serial No (Start)	Serial No (End)	Remarks	Pages
1	42650860050	CABLE ASSY	1		L=1500				
2	42650680600	CAP	1						
3	91810132530	FASTENER	1						

AT-100-1 42063121001 UPPER,LOWER,MITSUBISHI KC-FE567B4KM

Pos No.	Parts No	Parts Name	Qty	Unit	Technical Data	Serial No (Start)	Serial No (End)	Remark
2	90201200800	NUT	1		M8			
3	90303070801	WASHER,PLAIN	1		8			
4	90302040801	WASHER,SPRING	3		8			
5	42931400010	HARNESS	1					
6	91810130240	FASTENER	10					
7	82420506412	TRIM	N					
8	82100002006	CLAMP	3		WR10			
9	90201200600	NUT	4		M6			
10	82100002673	CONNECTOR (0.5-0.85,RED)	2					
11	90302040601	WASHER,SPRING	4		6			
12	82100000191	TERMINAL	5					
13	82100000183	INSULATOR	5					
14	82100000192	TERMINAL	5					
15	82100000182	INSULATOR	5					
16	82100002017	CLAMP	2		WR30			
17	90101208012	BOLT	2		M8X12			
18	42930270020	HARNESS	1					
19	90101206020	BOLT	1		M6X20			
20	82100002596	RELAY	1					
41	90101206015	BOLT	2		M6X15			
42	90201200600	NUT	2		M6			
43	90303070601	WASHER,PLAIN	2		6			
44	90302040601	WASHER,SPRING	2		6			
45	82100002219	METER,HOUR	1					
46	42804460010	SUPPORT	1					

**AT-100-1 42063121001 UPPER,LOWER,MITSUBISHI KC-FE567B4KM
PN1110122-00 RELAY**



CLICK HERE TO **DOWNLOAD** THE COMPLETE MANUAL

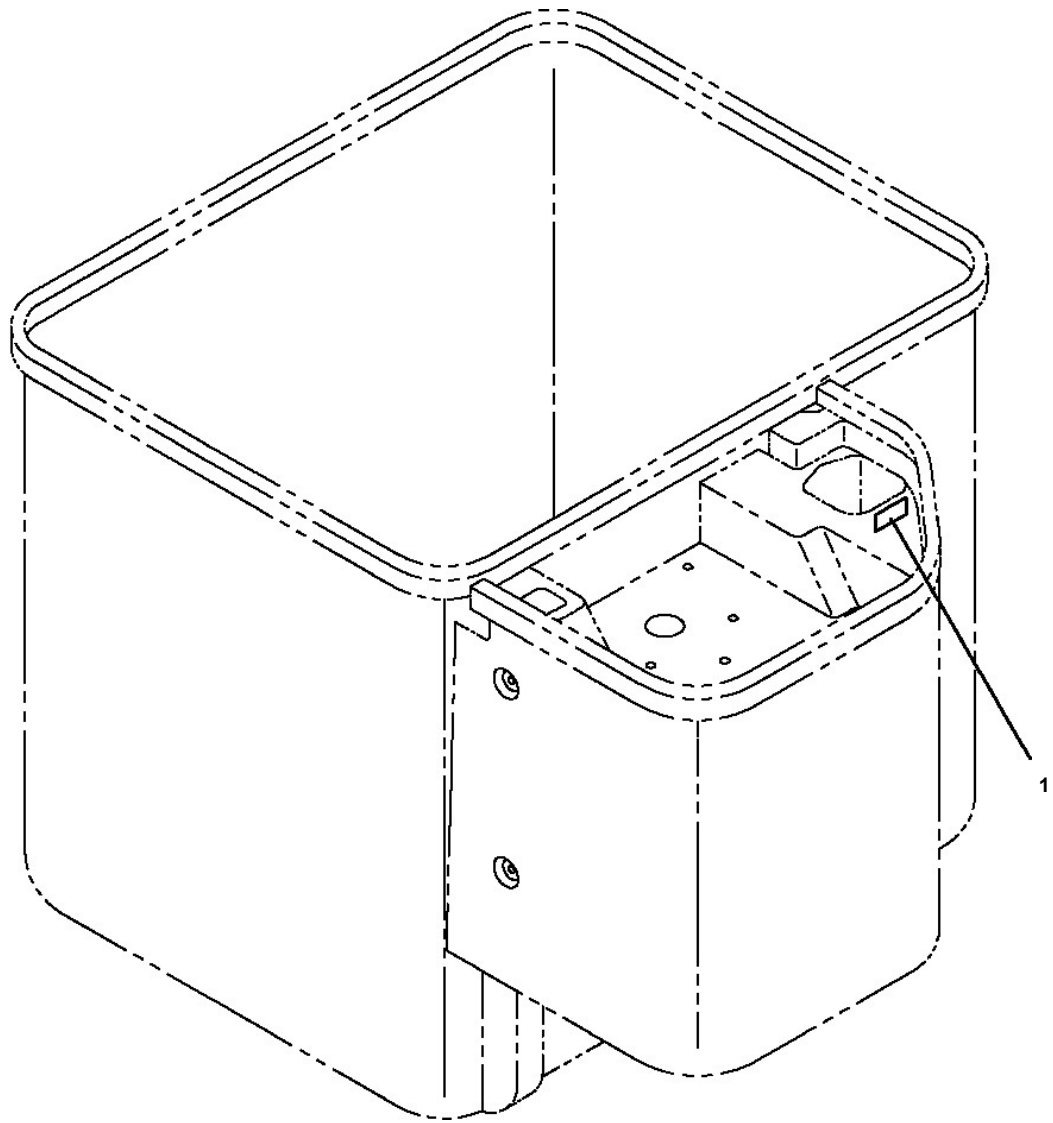
- Thank you very much for reading the preview of the manual.
- You can download the complete manual from: www.heydownloads.com by clicking the link below



- Please note: If there is no response to CLICKING the link, please download this PDF first and then click on it.

CLICK HERE TO **DOWNLOAD** THE COMPLETE MANUAL

AT-100-1 42063121001 UPPER,LOWER,MITSUBISHI KC-FE567B4KM
PO1011707-00 PLATE ASSY,NAME (POWER SUPPLY)



AT-100-1 42063121001 UPPER,LOWER,MITSUBISHI KC-FE567B4KM

Pos No.	Parts No	Parts Name	Qty	Unit	Technical Data	Serial No (Start)	Serial No (End)	F
1	42391163120	PLATE,NAME	1					
2	31642171600	PLATE,NAME	1					
3	42475374510	PLATE,CAUTION	1					
4	42940640080	PLATE,NAME	1					
5	42475374520	PLATE,NAME	1					
6	42475374530	PLATE,NAME (OFF ON)	1					
7	42475374540	PLATE,NAME	1					
8	42390780040	PLATE,NAME (WORKING SWITCH)	1					
9	42942051010	PLATE,NAME	1					
10	12117140000	PLATE,NAME (GREASE)	3					
11	42476792010	PLATE,NAME	1					

AT-100-1 42063121001 UPPER,LOWER,MITSUBISHI KC-FE567B4KM

Pos No.	Parts No	Parts Name	Qty	Unit	Technical Data	Serial No (Start)	Serial No (End)	Remarks	Pages
50	36652335010	GASKET	2						
51	36652335020	GASKET	2						
54	53063551010	SEAL,OIL	1						
55	80602110360	RING,RITAINING	1		R36				
100	36652780000	PUMP,OIL (27CC:L)	1						

AT-100-1 42063121001 UPPER,LOWER,MITSUBISHI KC-FE567B4KM

Pos No.	Parts No	Parts Name	Qty	Unit	Technical Data	Serial No (Start)	Serial No (End)	Rem
1	42470980100	SWITCH,PUSH	1					
2	82100002220	CABLE	2	M				
3	82100002173	CONNECTOR	1					
10	42470980000	SWITCH BOX (FOR BOOSTER)	1					

AT-100-1 42063121001 UPPER,LOWER,MITSUBISHI KC-FE567B4KM

Pos No.	Parts No	Parts Name	Qty	Unit	Technical Data	Serial No (Start)	Serial No (End)	Re
1	42650787510	BOARD ASSY (RC)	1					
2	42650787520	BOARD ASSY	1					
3	42650787530	HARNESS ASSY (24PM)	1					
4	42650787540	HARNESS ASSY (24PF)	1					
5	42650787550	HARNESS ASSY (8P JOINT)	2					
6	42650787560	HARNESS ASSY (10P JOINT)	1					
7	42650787570	COVER (CONTROLLER)	1					
8	36800017510	PACKING	1					
10	42650787580	ANGLE	3					
11	42650787590	COVER (A)	1					
12	42650787600	COVER (B)	1					
13	42650787610	PLATE (SIGHT)	1					
14	42650787620	PACKING	2					
50	42650781000	CONTROL BOX (RC COMPUTER)	1					

AT-100-1 42063121001 UPPER,LOWER,MITSUBISHI KC-FE567B4KM

Pos No.	Parts No	Parts Name	Qty	Unit	Technical Data	Serial No (Start)	Serial No (End)	Remarks
1	(*****)	MOUNT,WINCH	1					
2	(*****)	MOUNT,ROLLER	1					
3	(*****)	PIPING,WINCH	1					
4	(*****)	DRUM,WINCH (SHAFT)	1					
5	(*****)	PLATE ASSY,NAME	1					
7	(*****)	MODIFICATION PARTS (WINCH)	1					
22	(*****)	ELEC.ASSY	1					

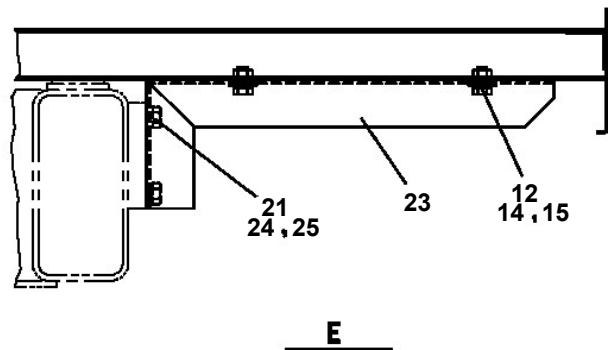
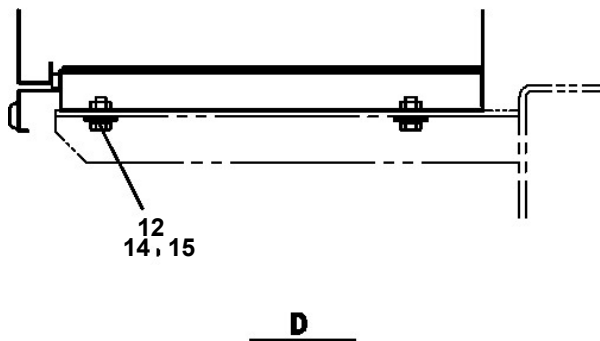
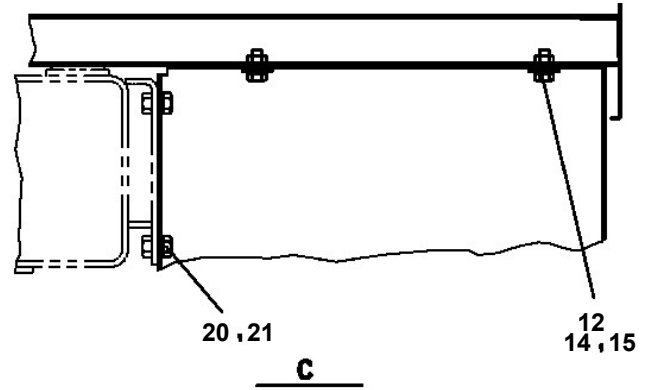
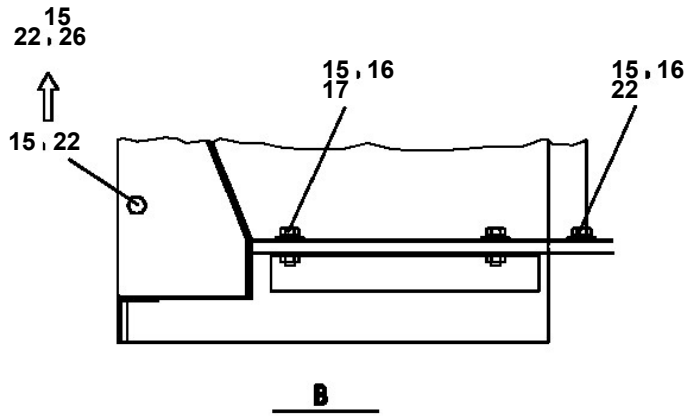
AT-100-1 42063121001 UPPER,LOWER,MITSUBISHI KC-FE567B4KM

Pos No.	Parts No	Parts Name	Qty	Unit	Technical Data	Serial No (Start)	Serial No (End)	Remarks	Pages
1	42871731000	SUPPORT	1						
2	90101512025	BOLT	8		M12X25				
3	90302041201	WASHER,SPRING	8		12				
21	42871731020	RUBBER	1						

AT-100-1 42063121001 UPPER,LOWER,MITSUBISHI KC-FE567B4KM

Pos No.	Parts No	Parts Name	Qty	Unit	Technical Data	Serial No (Start)	Serial No (End)	Remarks
1	90171108030	BOLT	4		M8X30			
2	90302040801	WASHER,SPRING	8		8			
3	90201400800	NUT	4		M8			
4	42822460100	SUPPORT	1					
5	36302160000	SHAFT,PROPELLER	1					
6	51663011001	YOKE (PUMP)	1					
7	90302041201	WASHER,SPRING	4		12			
8	90172110035	BOLT,HEXAGON SOCKET	2		M10X35			
9	90302041001	WASHER,SPRING	2		10			
10	90201481000	NUT	2		M10			
11	90303071001	WASHER,PLAIN	2		10			
12	90171112025	BOLT	4		M12X25			
13	51663010160	WIRE	1				216958	
	42894191000	WIRE	2		L=500	216959		
14	51663012000	SCREW,SET	3		M8X18			
15	36652780000	PUMP,OIL (27CC:L)	1					
16	90720008120	SCREW,SET	1		M8X12		216958	
	37001508910	BOLT	1		M8X19	216959		
17	90171108025	BOLT	4		M8X25			
18	42822020010	COUPLING	1					
31	52463806003	COUPLING ASSY	1					
32	36302164000	PIPE	1					
33	52463805003	COUPLING,UNIVERSAL	1					
41	52463895010	JOINT KIT	2					
42	82456101000	NIPPLE,GREASE	1		A-PT1/8			

AT-100-1 42063121001 UPPER,LOWER,MITSUBISHI KC-FE567B4KM
PX1350222-03 BOX,TOOL



AT-100-1 42063121001 UPPER,LOWER,MITSUBISHI KC-FE567B4KM

Pos No.	Parts No	Parts Name	Qty	Unit	Technical Data	Serial No (Start)	Serial No (End)
1	42831877580	BODY,BOX	1				
2	42831877730	DOOR (UPPER)	1				
3	42831877740	DOOR (LOWER,RIGHT)	1				
4	42831877750	DOOR (LOWER,LEFT)	1				
6	42831877540	INSULATOR	4				
7	82400000393	INSULATOR	2				
8	42833077560	PLATE	7				
9	82461015111	CATCH (WITH KEY)	3				
10	82461015112	CATCH (WITHOUT KEY)	1				
11	82464110008	HINGE	7				
12	42833157590	STRIKER	4				
13	80192484012	SCREW,MACHINE (WITH WASHER)	4		M4X12		
14	80192484016	SCREW,MACHINE	2		M4X16		
15	80192435012	SCREW,MACHINE	8		M5X12		
16	42833437760	SCREW,MACHINE	8		M5X10		
17	42833027520	SCREW,MACHINE	56		M5X12		
18	80175804010	SCREW,MACHINE	8		M4X10		
19	90303070601	WASHER,PLAIN	4		6		
	90201200600	NUT	8		M6		
	90302040601	WASHER,SPRING	4		6		
	80182406025	SCREW,MACHINE	4		M6X25		
20	42831877600	WEATHER STRIP ASSY	1				
21	42833077610	BUSH	7				
31	42831877550	DOOR ASSY (UPPER)	1				
32	42831877560	DOOR ASSY (LOWER,RIGHT)	1				
33	42831877570	DOOR ASSY (LOWER,LEFT)	1				
41	42833447560	WEATHER STRIP	1		L=2200		
42	42831877590	WEATHER STRIP	1		L=1700		
43	42833157630	WEATHER STRIP	2		L=1400		
44	42833447580	WEATHER STRIP	2		L=800		
100	42831871000	BOX,TOOL (RIGHT)	1				

AT-100-1 42063121001 UPPER,LOWER,MITSUBISHI KC-FE567B4KM

Pos No.	Parts No	Parts Name	Qty	Unit	Technical Data	Serial No (Start)	Serial No (End)	Remarks	Page
1	42736961000	BOX,TOOL	1						
21	42833321000	BOX,TOOL (RIGHT)	1						00013
31	42736801200	SUPPORT	1						

AT-100-1 42063121001 UPPER,LOWER,MITSUBISHI KC-FE567B4KM

Pos No.	Parts No	Parts Name	Qty	Unit	Technical Data	Serial No (Start)	Serial No (End)	Remarks	Pages
1	42736810100	SUPPORT	1						
2	37000510240	PLATE	4						
3	90101210020	BOLT	4		M10X20				
4	90302041001	WASHER,SPRING	4		10				
5	90303070601	WASHER,PLAIN	1		6				
6	90302040601	WASHER,SPRING	1		6				
7	90201200600	NUT	1		M6				
8	90101206018	BOLT	1		M6X18				
9	82400000345	CHAIN (QTY=L)	1	M					

AT-100-1 42063121001 UPPER,LOWER,MITSUBISHI KC-FE567B4KM

Pos No.	Parts No	Parts Name	Qty	Unit	Technical Data	Se
1	42470020000	CLAMP HEAD (IZUMI 8TON,2.5M)	1			
	42470230000	CLAMP HEAD (IZUMI 12TON 3.5M)	1			
	(*****)	CLAMP HEAD (SANWA,12TON)	1			
	42473850000	CLAMP HEAD (IZUMI 8TO,3.5M)	1			
	42470365000	CLAMP HEAD (SANWA,12TON,TITANIUM)	1			
	42473090000	CLAMP HEAD (IZUMI 7.5TON 3M ELECTRIC)	1			
	42472640000	CLAMP HEAD (IZUMI 8TON 3.5M ELECTRIC)	1			
	42470590000	CLAMP HEAD (O.D.K 7.5TON 3M)	1			
	42471070000	CLAMP HEAD (O.D.K 10TON ELECTRIC)	1			
	42470180000	CLAMP HEAD (IZUMI 12TON 2.5M)	1			
10	(*****)	CLAMP HEAD (SANWA,12TON)	1			
	42470530000	CUTTER HEAD (IZUMI 6.4TON AIR)	1			
	42471860000	CUTTER HEAD (SANWA 6.5TON)	1			
	42470030000	CUTTER HEAD (IZUMI 6.4TON 2.5M ELECTRIC)	1			
13	(*****)	HOSE,BOOSTER (3M)	1			
	42472480000	HOSE,BOOSTER (FEMALE-FEMALE,3M)	1			
	42470363000	HOSE,BOOSTER (WITH AIR BALLOON,5M)	1			
	42470364000	HOSE,BOOSTER (WITH AIR BALLOON,8M)	1			
	42471084000	HOSE,BOOSTER (MALE-FEMALE,8M)	1			
	42471800000	HOSE,BOOSTER (WITH AIR BALLOON,2M)	1			
	42472130000	HOSE,BOOSTER (FEMALE-FEMALE,5M)	1			
	42471080000	HOSE,BOOSTER (MAIL-FEMALE,3M)	1			
	(*****)	HOSE,BOOSTER (WITH AIR BALLOON)	1			
	42471085000	HOSE,BOOSTER (MALE-FEMALE,5M)	1			
	42471561000	HOSE,BOOSTER (SMALL,WITH AIR BALLOON)	1			
	22	42470980000	SWITCH BOX (FOR BOOSTER)	1		
42470984000		SWITCH BOX (ELECTRIC BOOSTER, 8M,NANABOSI,SINKOU DENKI)	1			
42470983000		SWITCH BOX (ELECTRIC BOOSTER, 3M,NANABOSI,SINKOU DENKI)	1			
42470985000		SWITCH BOX (ELECTRIC BOOSTER, 5M,NANABOSI,SINKOU DENKI)	1			
26	(*****)	PRUNER ASSY	1			
27	42471270000	DRIL,HYDRAULIC	1			
28	(*****)	WRENCH,IMPACT (HYDRAULIC)	1			
29	42460021000	BELT,SAFETY	1			
30	42472670000	ROPE (SAFETY,WHITE)	1			
	42470050000	ROPE (SAFETY,1.5M,WITH HOOK)	1			
31	(*****)	BUCKET (INNER CASE,OPTION)	1			
32	42474540000	HANGER (FOR BUCKET,FRP)	1			
	42472650000	HANGER (FOR BUCKET)	1			
33	42473340000	STEP,BUCKET	1			
	42474030000	STEP,BUCKET (GRAY,FOR BUCKET INNER)	1			
35	42472530000	BOX,TOOL (FOR BUCKET)	1			
	42472990000	BOX,TOOL (FOR BUCKET)	1			
42	42262050400	COVER,BUCKET	1			

AT-100-1 42063121001 UPPER,LOWER,MITSUBISHI KC-FE567B4KM

Pos No.	Parts No	Parts Name	Qty	Unit	Technical Data	Serial No (Start)	Serial No (End)
1	42471070000	CLAMP HEAD (O.D.K 10TON ELECTRIC)	1				

AT-100-1 42063121001 UPPER,LOWER,MITSUBISHI KC-FE567B4KM

Pos No.	Parts No	Parts Name	Qty	Unit	Technical Data	Serial No (Start)	Serial No (E
1	42470367510	HOOK	1				
2	42470367520	CYLINDER	1				
3	42470367530	HOLDER (DIES)	1				
4	42470367540	STEM	1				
5	42470367550	SPRING (RETURN)	1				
6	42470367560	SEAT,SPRING	1				
7	42470367570	RING,STOP	1				
8	80720103006	PIN,SPRING	1		3X6		
9	91001104000	O-RING	1		1A P40		
10	42470367580	RING (B)	1				
12	42470367590	NOTCH	1				
13	42470367600	PIECE (B)	1				
14	42470367610	PIN (SCREW)	1				
15	42470367620	SPRING ASSY	1				
16	42470367630	PIECE (AL)	1				
17	42470367640	SPRING	1				
18	42470367650	KNOB	1				
19	80720102012	PIN,SPRING	1		2X12		
20	80720103008	PIN,SPRING	1		3X8		
21	42470367660	GUIDE	1				
22	90131505008	BOLT,HEXAGON SOCKET	1		M5X8		
23	90304110501	WASHER (LOCK)	1		5		
24	42470367670	SCRAPER	1				
25	42470367680	SPACER	1				
26	42470367690	BOLT,HEXAGON SOCKET	1				
27	42470367700	NIPPLE	1				
28	42470367710	JOINT,SELF SEALING (WITH CAP)	1				
29	42470367720	GRIP	1				
30	42470367730	PLATE,NAME	1				
31	42470367740	COVER (SAFETY)	1				
50	42470365000	CLAMP HEAD (SANWA,12TON,TITANIUM)	1				

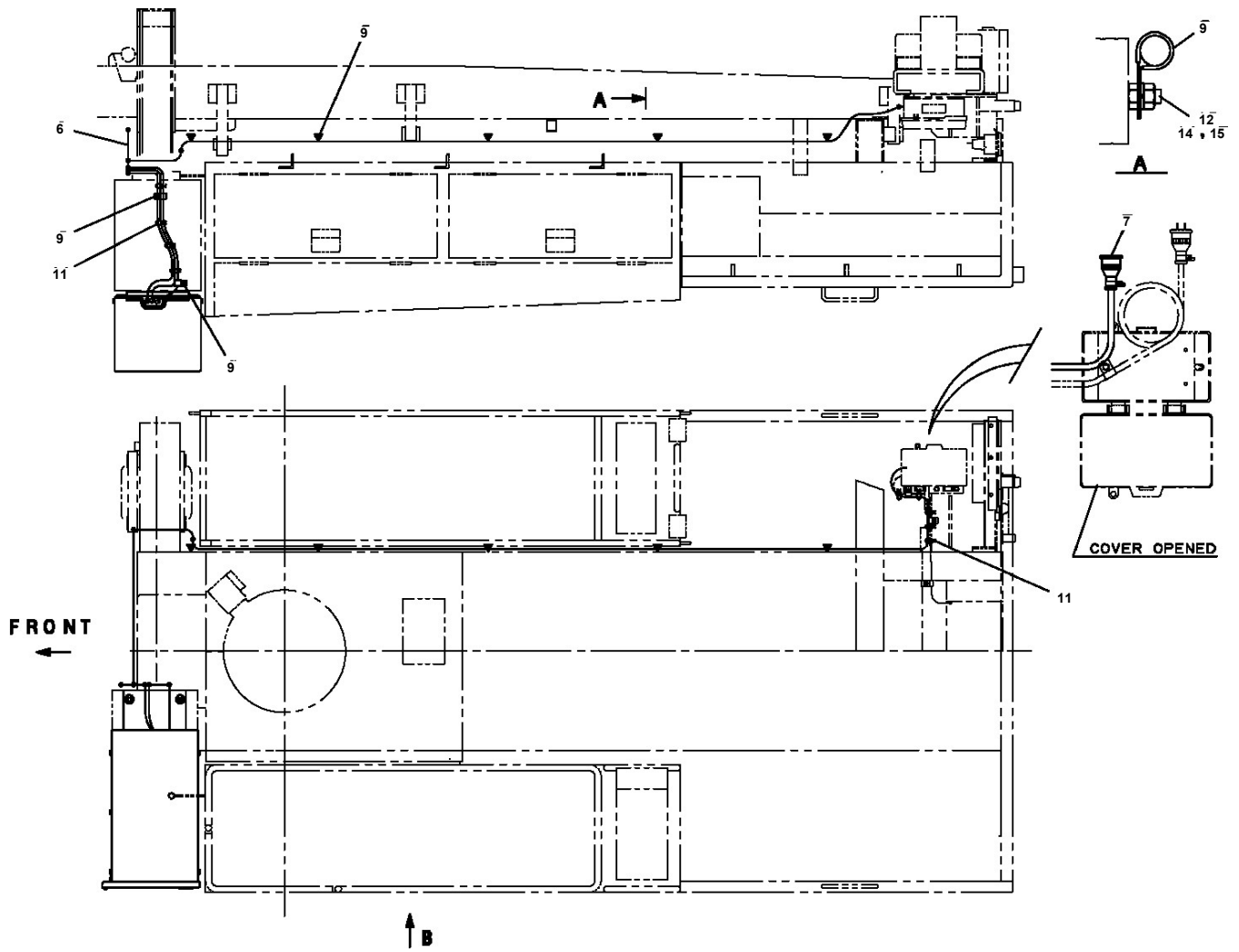
AT-100-1 42063121001 UPPER,LOWER,MITSUBISHI KC-FE567B4KM

Pos No.	Parts No	Parts Name	Qty	Unit	Technical Data	Serial No (Start)	Serial No (End)	Remarks	P
1	42472670000	ROPE (SAFETY,WHITE)	1						

AT-100-1 42063121001 UPPER,LOWER,MITSUBISHI KC-FE567B4KM

Pos No.	Parts No	Parts Name	Qty	Unit	Technical Data	Serial No (Start)	Serial No (End)	R
1	37002449490	HOSE	2		L=2300			
2	91002801100	O-RING	2		1B P11			
3	36630950000	VALVE	1					
4	44470870600	JOINT	1					
5	90101206012	BOLT	2		M6X12			
6	90302040601	WASHER,SPRING	3		6			
7	90201200600	NUT	1		M6			
8	82100002006	CLAMP	1		WR10			
9	89631601000	HOSE,VINYL	1		15X20,1M			
10	91801300210	CLIP	2		D=18-21			
11	90101212025	BOLT	1		M12X25			
12	90201201200	NUT	1		M12			
13	42340013400	GASKET	3					
14	90101020030	BOLT	1					
15	42473530020	GASKET	1					
16	90201252000	NUT	1		M20			
17	80456020610	JOINT,SELF SEALING	1					
18	37000918530	JOINT	2					
19	37001600810	NUT	2		PF1/4			
20	42340013200	JOINT,SELF SEALING (WITH CAP)	1					
21	42310040050	ROPE (TETORON)	2					
22	82100001735	SLEEVE	4					
23	91810130240	FASTENER	10					
24	42474411500	HARNESS	1					
25	42474411400	PLATE	1					
31	42340017510	CAP (DUST)	1					
41	42340017550	CAP (DUST)	1					

AT-100-1 42063121001 UPPER,LOWER,MITSUBISHI KC-FE567B4KM
PY1460012-00 ELECTRICAL PARTS,POWER SUPPLY(NTT-TE)



AT-100-1 42063121001 UPPER,LOWER,MITSUBISHI KC-FE567B4KM

Pos No.	Parts No	Parts Name	Qty	Unit	Technical Data	Serial No (Start)	Serial No (End)	Remarks	Pages
1	37000711080	CLAMP ASSY	2		12-2				
2	81408000160	PIPE,STEEL	2	M	12X1.4T				
3	81408000160	PIPE,STEEL	2	M	12X1.4T				
4	80320010075	FITTING	6		KUD12-020N				
5	37002413200	HOSE	1		L=680				
6	37002425870	HOSE	1		L=600				
7	91810130240	FASTENER	26						
8	81408000160	PIPE,STEEL	2	M	12X1.4T				
9	81408000160	PIPE,STEEL	2	M	12X1.4T				
10	37002449130	HOSE	2		L=500				
11	80471020502	JOINT	2						
12	91002801100	O-RING	2		1B P11				

AT-100-1 42063121001 UPPER,LOWER,MITSUBISHI KC-FE567B4KM

Pos No.	Parts No	Parts Name	Qty	Unit	Technical Data	Serial No (Start)	Serial
1	42470367770	HOSE,AIR	1		3M		
2	42470362100	JOINT,SELF SEALING	1				
3	42470362200	PUMP	1				
4	42470367780	JOINT	1				
10	42471561000	HOSE,BOOSTER (SMALL,WITH AIR BALLOON)	1				

AT-100-1 42063121001 UPPER,LOWER,MITSUBISHI KC-FE567B4KM

Pos No.	Parts No	Parts Name	Qty	Unit	Technical Data	Serial No (Start)	Serial No
1	80456210600	JOINT,SELF SEALING	1				
2	42470367790	HOSE ASSY	1		5M		
3	42470362100	JOINT,SELF SEALING	1				
4	42470367800	HOSE,AIR	1		5M		
5	42470362200	PUMP	1				
6	80456240600	JOINT,SELF SEALING (WITH DUST CAP)	1				
7	42470367840	TUBE	2		25X0.15M		
8	42470367780	JOINT	1				
21	42471437520	CAP	1				
50	42470363000	HOSE,BOOSTER (WITH AIR BALLOON,5M)	1				

AT-100-1 42063121001 UPPER,LOWER,MITSUBISHI KC-FE567B4KM

Pos No.	Parts No	Parts Name	Qty	Unit	Technical Data	Serial No (Start)	Serial No (End)	Remarks	Pages
1	42473340000	STEP,BUCKET	1						

CLICK HERE TO **DOWNLOAD** THE COMPLETE MANUAL

- Thank you very much for reading the preview of the manual.
- You can download the complete manual from: www.heydownloads.com by clicking the link below



- Please note: If there is no response to CLICKING the link, please download this PDF first and then click on it.

CLICK HERE TO **DOWNLOAD** THE COMPLETE MANUAL