

AT-100-1 42063121511 UPPER,LOWER,MITSUBISHI KC-FG508B1

PB0000263-00 UPPER STRUCTURE SYSTEM

PB0000500-02 LOWER STRUCTURE SYSTEM

ASSEMBLY

CLICK HERE TO **DOWNLOAD** THE COMPLETE MANUAL

- Thank you very much for reading the preview of the manual.
- You can download the complete manual from: www.heydownloads.com by clicking the link below



- Please note: If there is no response to CLICKING the link, please download this PDF first and then click on it.

CLICK HERE TO **DOWNLOAD** THE COMPLETE MANUAL

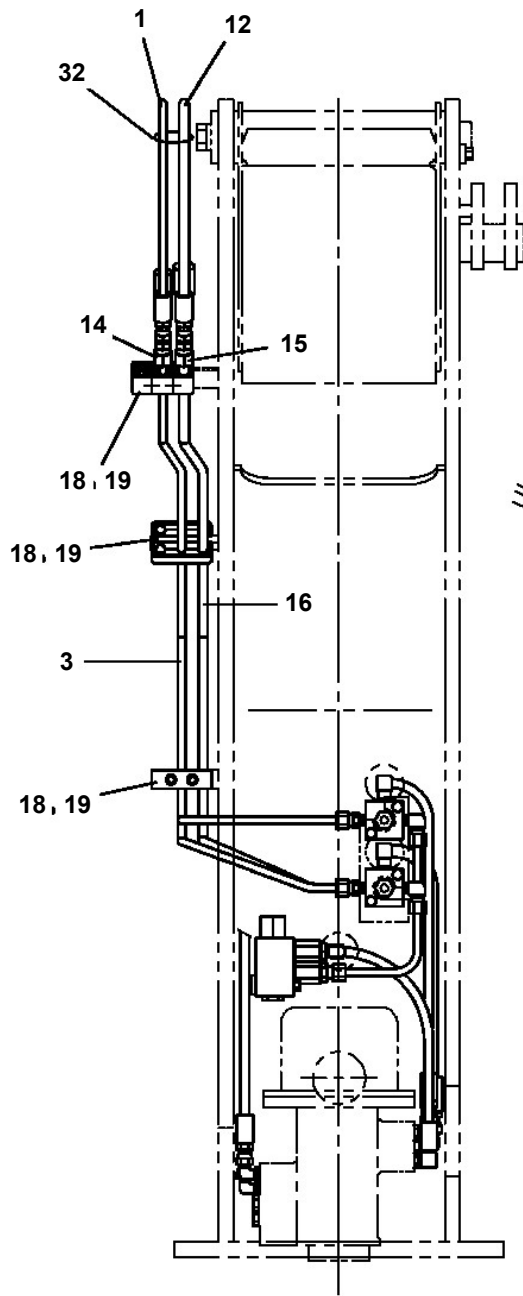
AT-100-1 42063121511 UPPER,LOWER,MITSUBISHI KC-FG508B1

Pos No.	Parts No	Parts Name	Qty	Unit	Technical Data	Serial No (Start)	Serial No (End)	Remarks	Page
1	36401425010	CASE	1						
2	36401425020	GEAR (TO)	1						
3	36400765030	SHAFT	1						
4	36401125040	SLEEVE	1						
5	36401135070	COLLAR	1						
6	36401875090	SHIFTER SET	1						
7	36400095110	PACKING	1						
8	80500006006	BEARING,BALL	1						
9	36400765050	BEARING,NEEDLE	1						
10	36401125080	BEARING,ROLLER	1						
11	36400765070	BEARING	1						
12	91206030005	SEAL,OIL	1						
13	36400095070	COVER (BEARING)	1						
14	36400095080	PACKING (COVER)	1						
15	36400095090	SHIM	N						
16	90191208014	BOLT	3		M8X14				
17	90302040801	WASHER,SPRING	7		8				
18	90191208020	BOLT	4		M8X20				
19	90191210080	BOLT	1		M10X80				
20	90191210090	BOLT	2		M10X90				
21	36400095150	BOLT,STUD	3		M10X1.25/1.5X43				
22	90302041001	WASHER,SPRING	6		10				
23	90267201000	NUT	3		M10				
24	36401125120	PACKING (CASE)	1						
25	36401875080	BRACKET	1						
26	90191208025	BOLT	2		M8X25				
100	36401630001	POWER TAKE OFF	1						

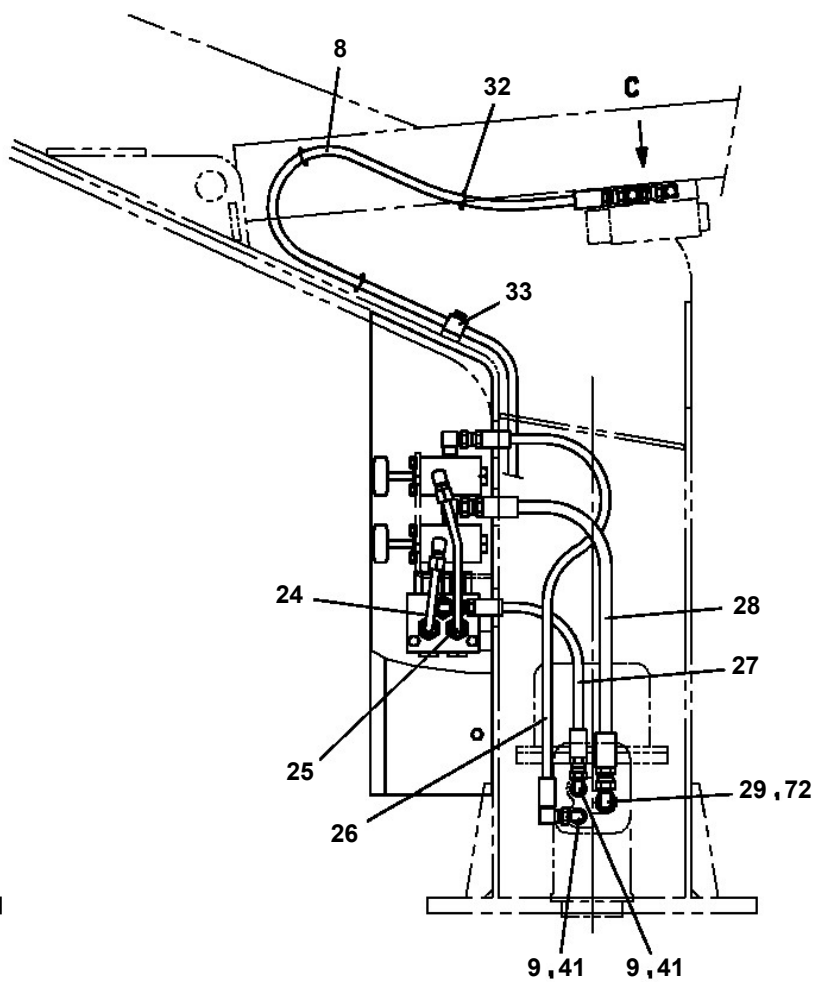
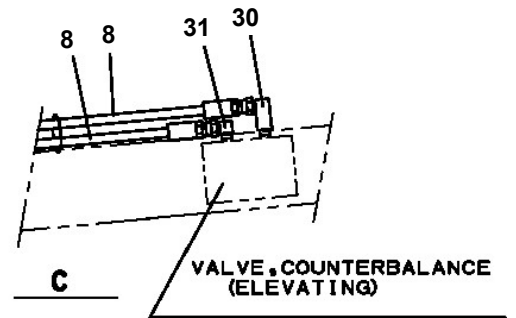
AT-100-1 42063121511 UPPER,LOWER,MITSUBISHI KC-FG508B1

Pos No.	Parts No	Parts Name	Qty	Unit	Technical Data	Serial No (Start)	Serial No (End)	Rema
1	36101780010	TANK	1					
2	36102120010	CAP	1					
3	37002512230	HOSE	1		L=140			
4	91803880040	CLIP	2		D=10-12.2			
5	80316080060	PLUG	1					
6	53156005000	BREATHER ASSY (OB-10T)	1					
7	91001104800	O-RING	1		1A P48			
11	53156005010	ELEMENT (OB-10T & OB-10B)	1				218279	
	53156005011	ELEMENT	1			218280		
12	53156005020	PACKING SET	1				218038	
13	53156005030	PLATE (WITH PACKING)	1			218039		
14	53156005040	PACKING	1			218039		

AT-100-1 42063121511 UPPER,LOWER,MITSUBISHI KC-FG508B1
PB1400187-00 PIPING,HYDRAULIC UPPER



A



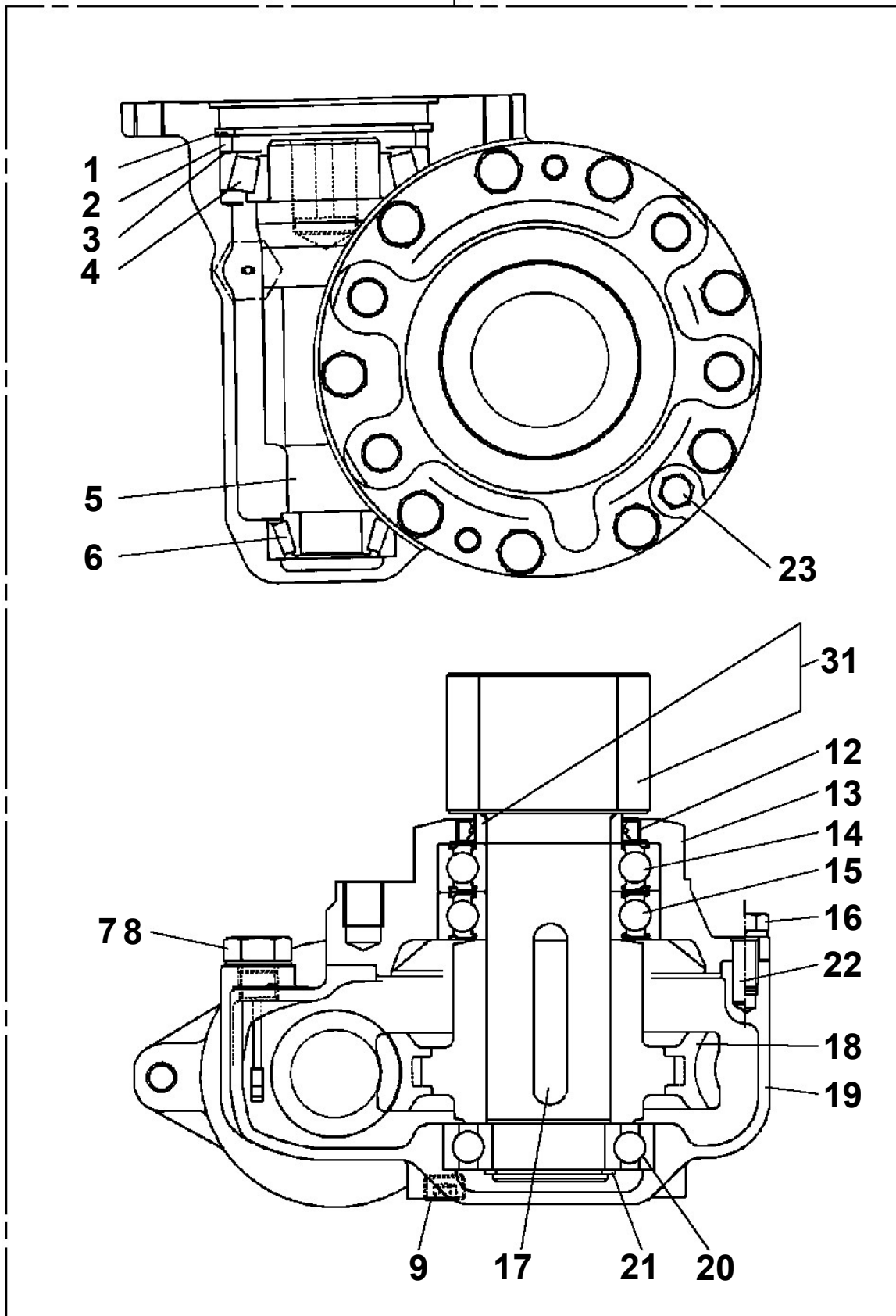
9, 41 9, 41

AT-100-1 42063121511 UPPER,LOWER,MITSUBISHI KC-FG508B1

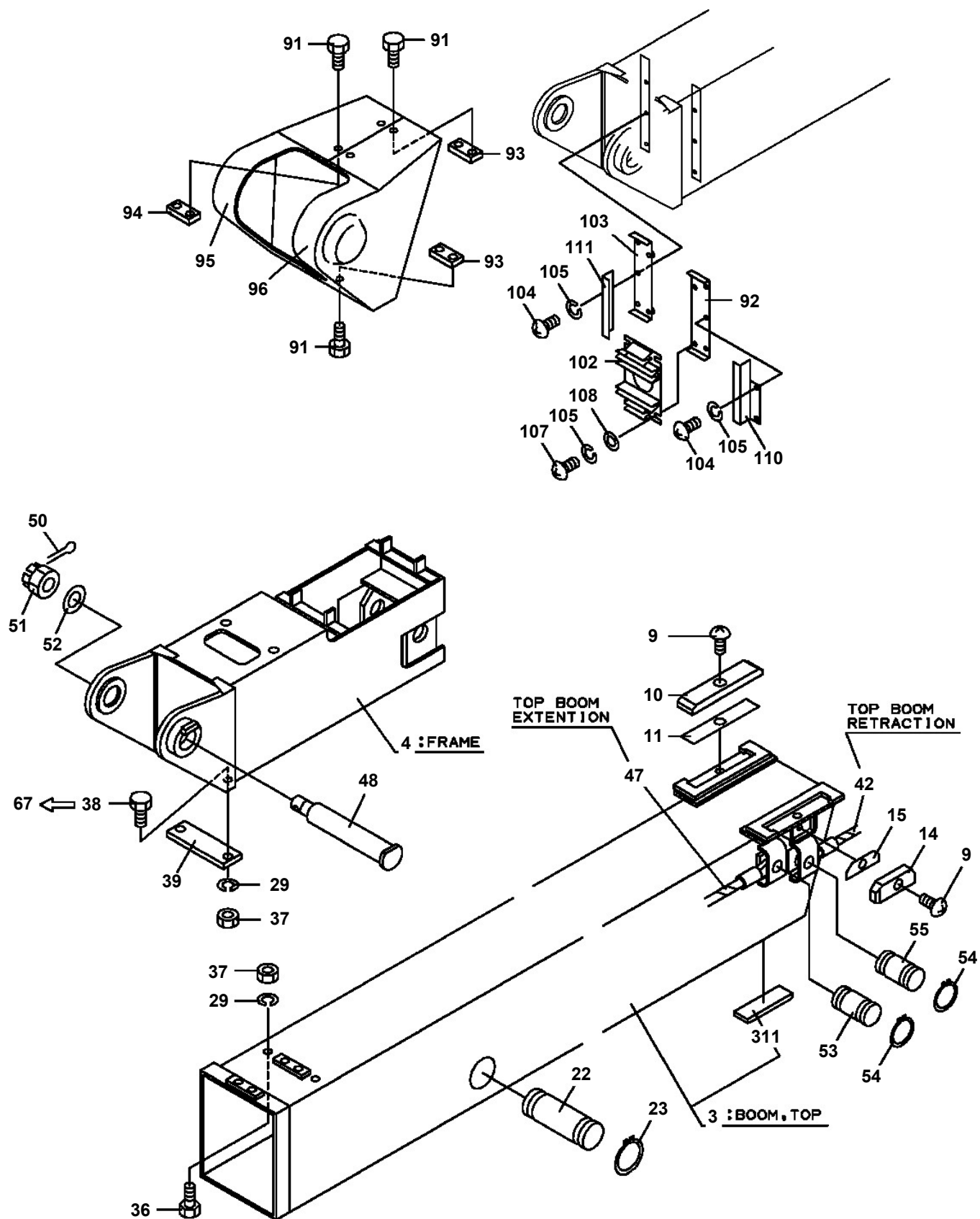
Pos No.	Parts No	Parts Name	Qty	Unit	Technical Data	Serial No (Start)	Serial No (End)
1	36034515100	CYLINDER ASSY	1				
2	36034515201	ROD	1				
3	36033415300	PISTON	1				
4	91350207500	BEARING,PLAIN (WITH PACKINGX2)	1				
5	91002903000	O-RING	1		1B G30		
7	90211203000	NUT	1		M30X3/2		
9	80612110680	RING,RITAINING	1		AR68		
10	80801006030	BEARING,PLAIN	1				
12	91694006000	PACKING	1				
13	91410206002	RING,BACKUP	1				
14	91002908000	O-RING	1		1B G80		
15	91660006000	SEAL,DUST	1				
16	80622000600	RING,RITAINING	1		SP60		
21	36034515010	COVER,ROD	1				
41	36034519901	PACKING SET	1		60X75		
50	36034510000	CYLINDER,JACK	1				

AT-100-1 42063121511 UPPER,LOWER,MITSUBISHI KC-FG508B1
PD1010172-00 REDUCER,SWING SPEED

50



**AT-100-1 42063121511 UPPER,LOWER,MITSUBISHI KC-FG508B1
PG1010440-06 BOOM**



AT-100-1 42063121511 UPPER,LOWER,MITSUBISHI KC-FG508B1

Pos No.	Parts No	Parts Name	Qty	Unit	Technical Data	Serial No (Start)	Serial No (End)	Remarks
5	82100002474	SWITCH,TOGGLE	1					
6	82100002483	SWITCH,TOGGLE	1					
7	82101361433	SWITCH,PUSH	1					
11	82101350315	SWITCH,PUSH	1					
100	42650782020	HARNESS (WITH SWICH)	1					

AT-100-1 42063121511 UPPER,LOWER,MITSUBISHI KC-FG508B1

Pos No.	Parts No	Parts Name	Qty	Unit	Technical Data	Serial No (Start)	Serial No (End)	Remarks	Pages
1	36620650000	VALVE,CHECK	1						
2	36620030050	PLUG	1						
4	91002801000	O-RING	1		1B P10				
5	52255101000	SPRING	1						
7	91002801400	O-RING	2		1B P14				
8	36620030010	PLUG	1		PF3/8				
9	91002801200	O-RING	2		1B P12				

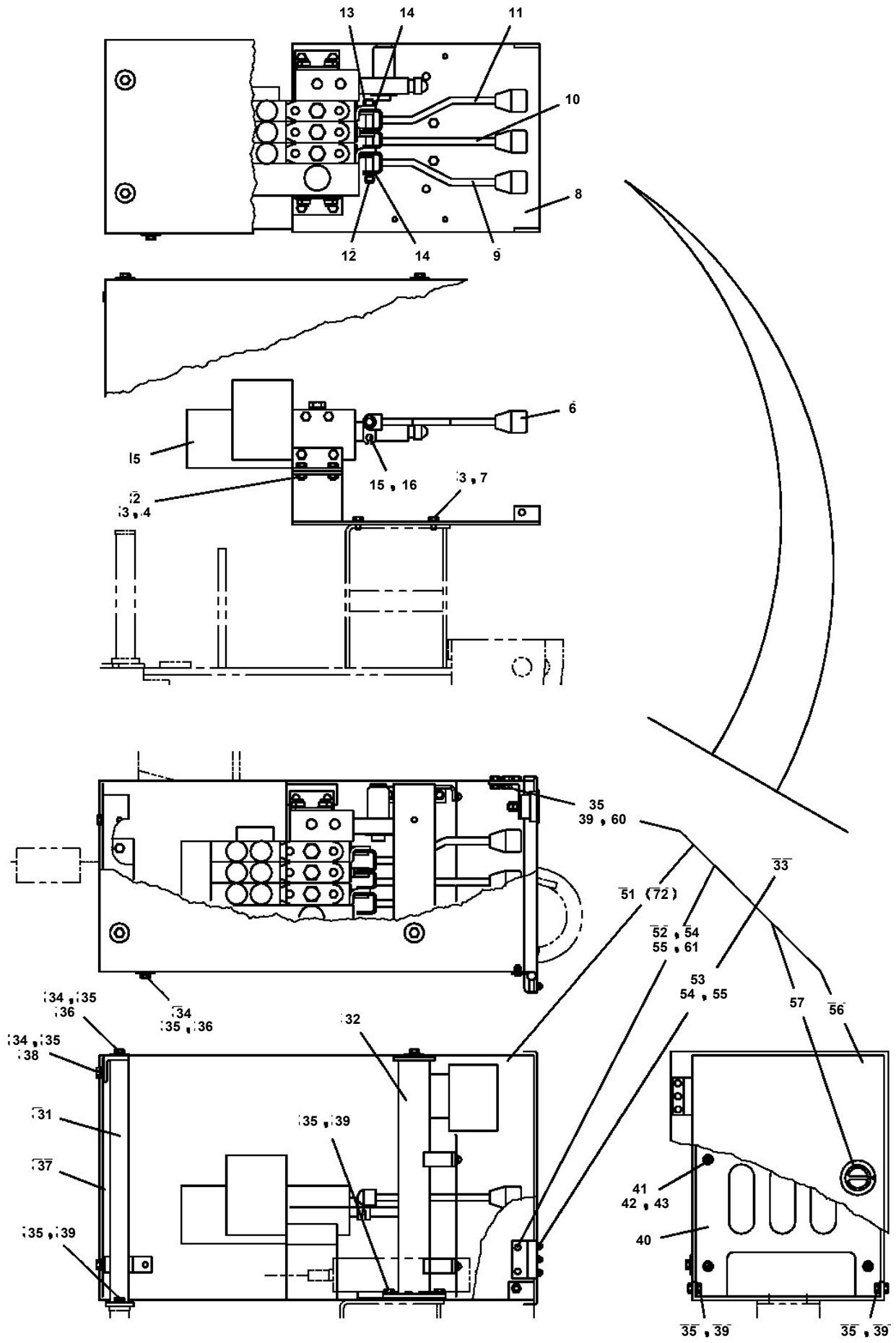
AT-100-1 42063121511 UPPER,LOWER,MITSUBISHI KC-FG508B1

Pos No.	Parts No	Parts Name	Qty	Unit	Technical Data	Serial No (Start)	Serial No (End)	Remark
3	91001203500	O-RING	1		1A G35			
8	91002801600	O-RING	1		1B P16			
13	91001101200	O-RING	2		1A P12			
14	91002801800	O-RING	1		1B P18			
20	36603090000	VALVE,COUNTERBALANCE	1					

AT-100-1 42063121511 UPPER,LOWER,MITSUBISHI KC-FG508B1

Pos No.	Parts No	Parts Name	Qty	Unit	Technical Data	Serial No (Start)	Serial No (End)	Remarks
223	90172110035	BOLT,HEXAGON SOCKET	2		M10X35	217098		
224	90309341003	WASHER,SPRING (10)	2			217098		

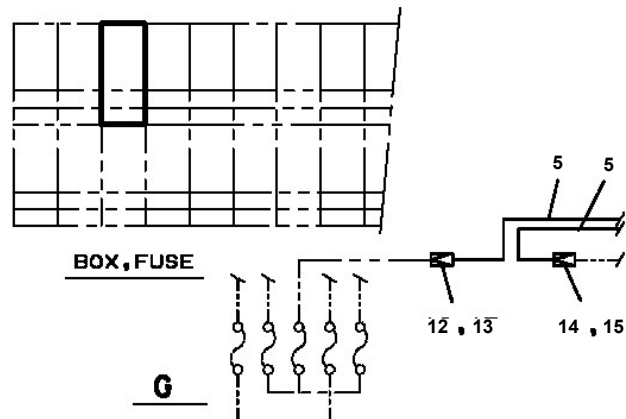
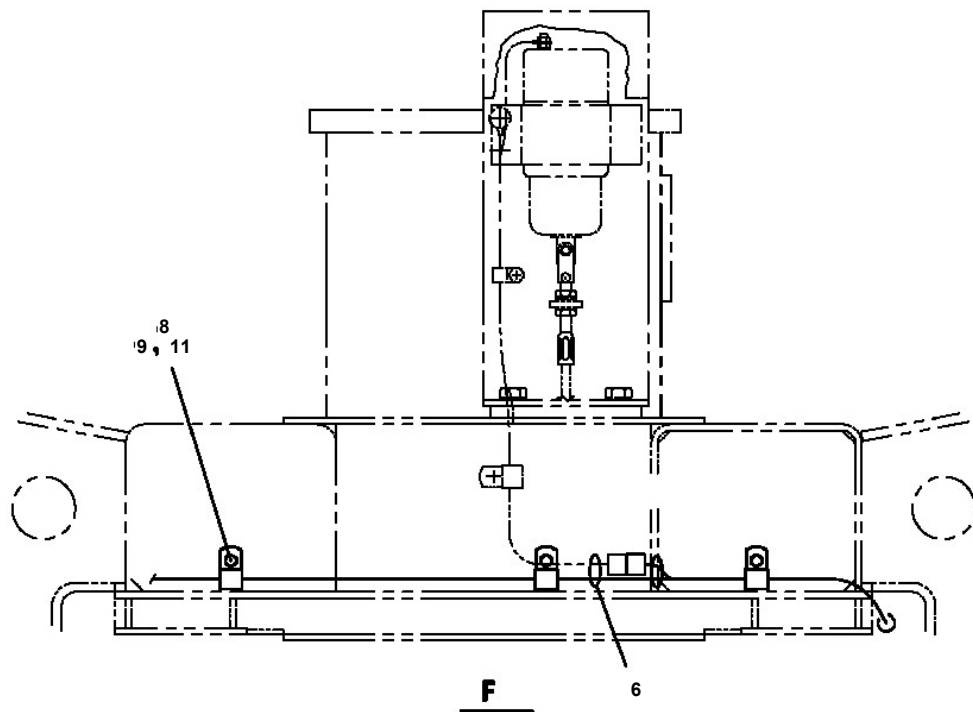
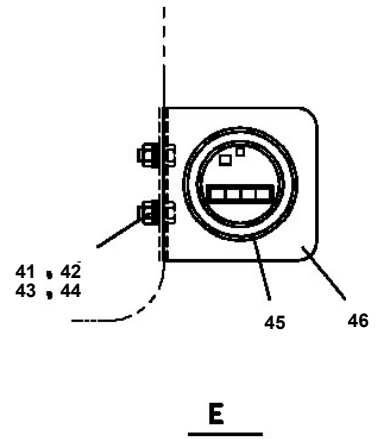
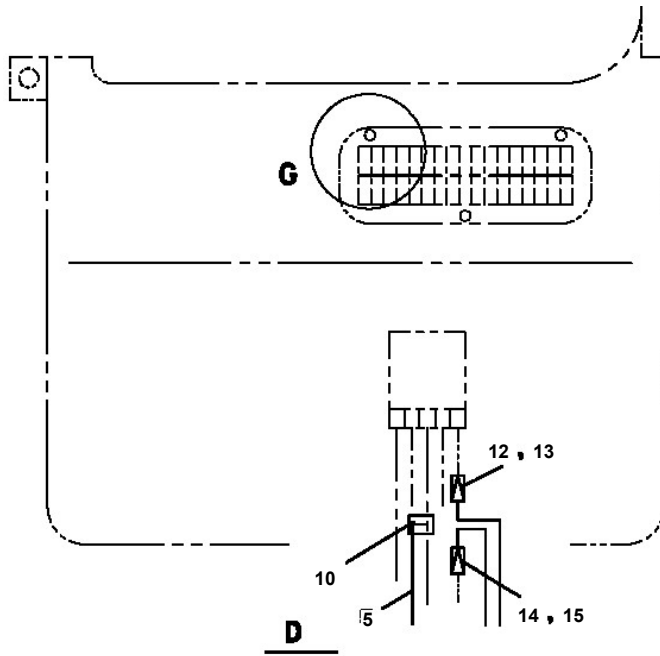
**AT-100-1 42063121511 UPPER,LOWER,MITSUBISHI KC-FG508B1
PL1010740-00 OPERATION SYSTEM, CONTROL VALVE**



AT-100-1 42063121511 UPPER,LOWER,MITSUBISHI KC-FG508B1

Pos No.	Parts No	Parts Name	Qty	Unit	Technical Data	Serial No (Start)	Serial No (End)	Remarks
1	42330997801	BOARD ASSY	1					
2	42331137530	JOY STICK,CONTROLLER	3					
3	42330997820	LAMP ASSY (LED)	2					
4	42330997830	SWITCH,LAMP	1					
5	42330997840	SWITCH ASSY	1		3AW			
6	42330997560	SWITCH ASSY	1		5AW			
7	42330997570	SWITCH ASSY	1		8AW			
8	42330997580	SWITCH ASSY	1		9AW			
9	42330997590	SWITCH ASSY	1		28AW			
10	42330997890	HARNES ASSY (OP)	1					
11	42331197860	GUIDE ASSY	3					
12	42330997870	BOX	1					
13	42331137550	COVER (W)	1					
14	42331057530	COVER (D)	1					
15	42431287590	BOOT	3					
16	42431287600	RETAINER	3					
17	42330997610	PLATE,CAUTION (A)	1					
18	42330997620	PLATE,CAUTION (C)	1					
19	42330997630	PLATE,CAUTION	1					
20	42330997640	PLATE,CAUTION (F)	1					
21	42330997650	PLATE,CAUTION (G)	1					
22	42330997660	PLATE,CAUTION	1					
23	42330997670	PLATE,CAUTION (I)	1					
24	42330997680	PLATE,CAUTION	1					
25	42330997690	PLATE,CAUTION (O)	1					
26	42330347640	BUSHING	2					
27	42330997700	SPACER (15)	5					
28	42431287640	HINGE	3					
29	42431287510	BALL	3					
30	42431287670	LOCK (F)	2					
31	42330997710	RELAY (CB)	2					
32	31471657590	CAP (RUBBER SP)	5					
33	42330777580	HANDLE (F)	1					
35	11615111410	BAND	7					
36	42331477510	SCREW,MACHINE	12		2.6X10 SUS			
37	42331477520	SCREW,MACHINE	8		2.6X10 SUS			
38	42331477540	WASHER (SUS)	14		M2.6			
39	42331477550	WASHER (SUS)	6		M2.6			
40	42331477560	WASHER (SP)	20					
41	42331477530	NUT (SUS)	20		M2.6			
42	80162103006	SCREW,MACHINE	5		M3X6			
43	42330997900	SCREW,MACHINE	27		M3X12			
44	42431287810	SCREW (THUMB)	10					
45	42331477570	SCREW,MACHINE	9		3X6 SUS			
46	42331477600	WASHER (SP/SUS)	13		M3			
47	42331477610	WASHER (SUS)	13		M3			
48	42331477590	NUT (SUS)	13		M3			
49	42331477620	SCREW,MACHINE	2		5X12 SUS			
50	42331477630	WASHER	2		M5,SUS			
51	42331477640	WASHER (SP/SUS)	2		M5			
52	42331477650	NUT (SUS)	2		M5			
53	42330847530	SCREW (PLASTIC)	2		6X10			
54	42330997720	COVER (ANGLE)	2					
55	42330997730	PLATE (RADIATOR)	1					
56	42330997740	COVER	1					
57	42331137590	BASE (FCB)	2					
58	42330997760	BRACKET	1					
59	42330997770	TIE (LOCK)	3					
60	42330997780	CONNECTOR	2					
61	42330997790	CONNECTOR	1					
62	42331137600	PLUG ASSY (3P)	1					
63	90303070401	WASHER,PLAIN	9		4			
64	42331477580	SCREW,MACHINE	5		3.0X10 SUS			

**AT-100-1 42063121511 UPPER,LOWER,MITSUBISHI KC-FG508B1
PN1011432-00 ELEC.ASSY (CARRIER)**



CLICK HERE TO **DOWNLOAD** THE COMPLETE MANUAL

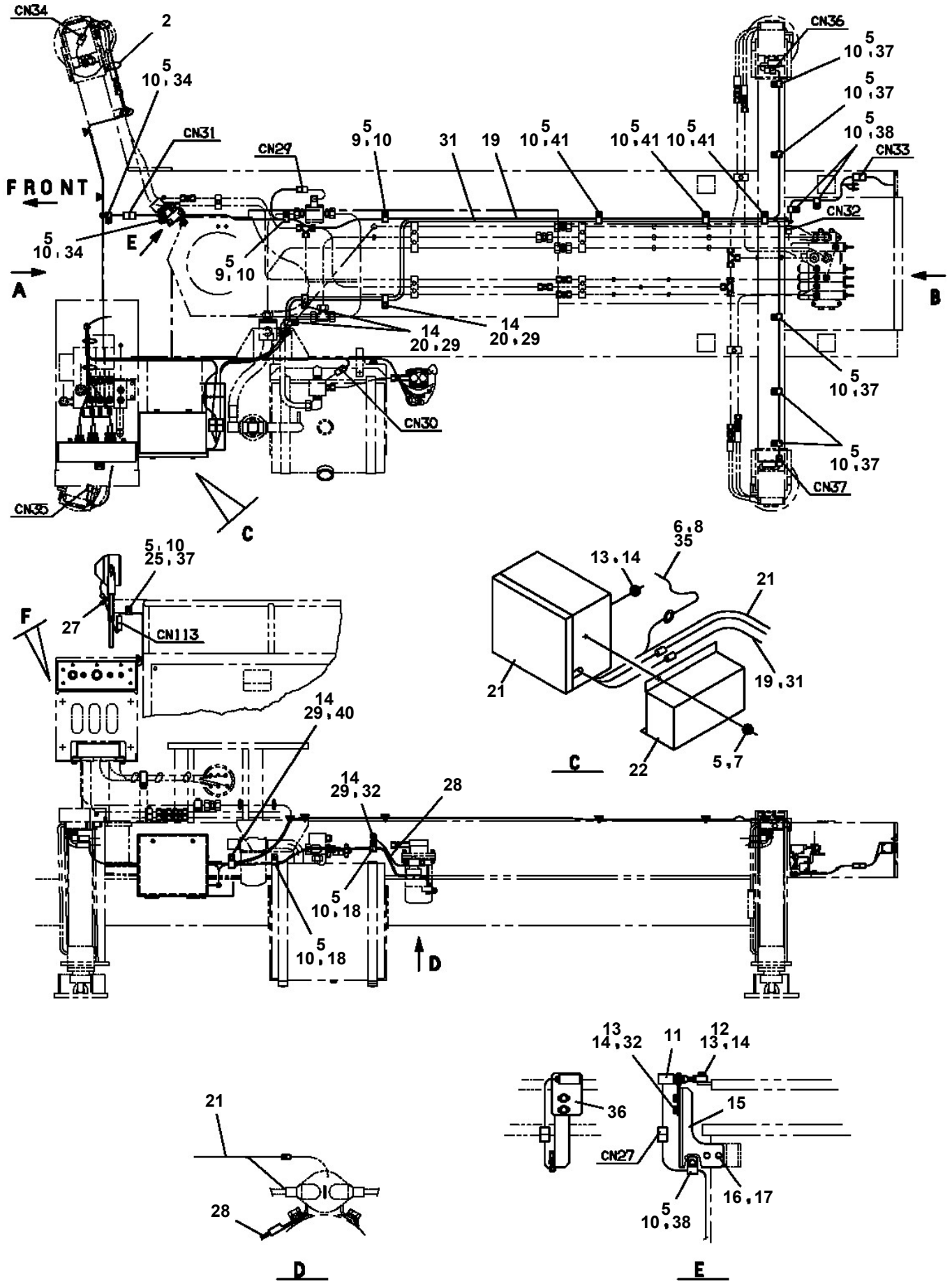
- Thank you very much for reading the preview of the manual.
- You can download the complete manual from: www.heydownloads.com by clicking the link below



- Please note: If there is no response to CLICKING the link, please download this PDF first and then click on it.

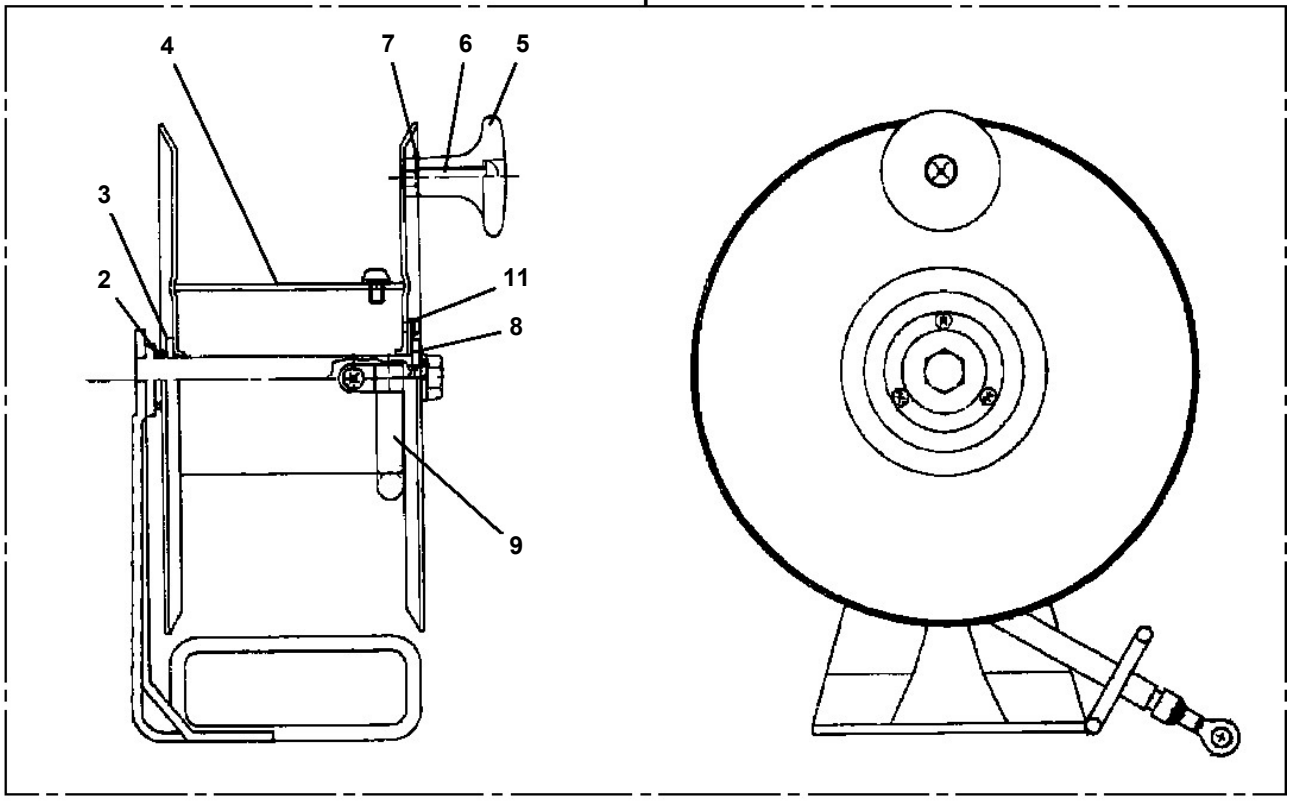
CLICK HERE TO **DOWNLOAD** THE COMPLETE MANUAL

**AT-100-1 42063121511 UPPER,LOWER,MITSUBISHI KC-FG508B1
PN1012407-03 ELEC.ASSY (FRAME)**

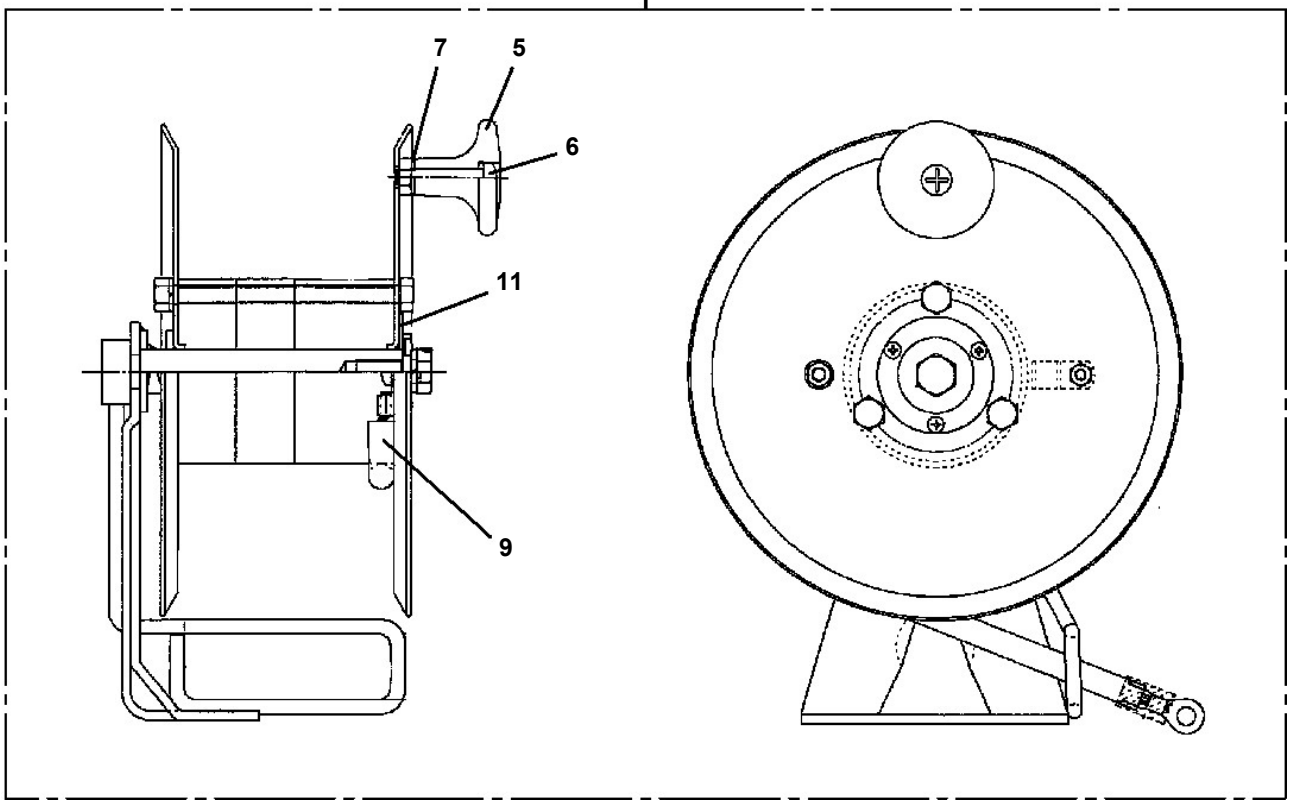


AT-100-1 42063121511 UPPER,LOWER,MITSUBISHI KC-FG508B1
PN1350026-01 REEL,CORD (FOR EARTHING)

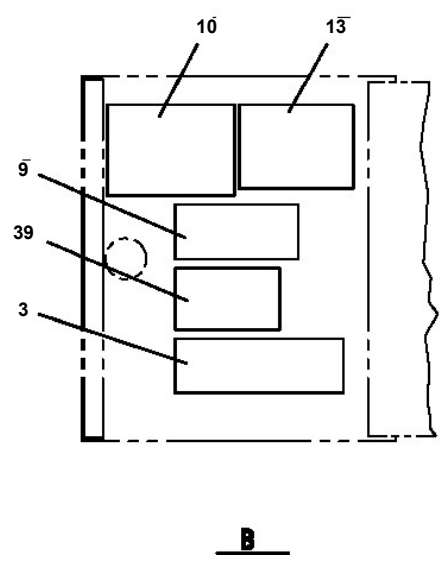
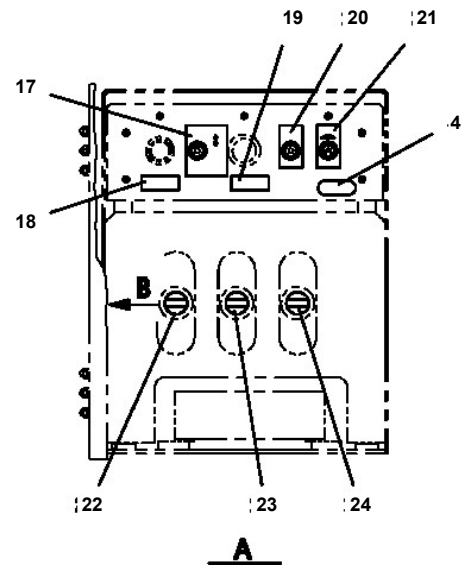
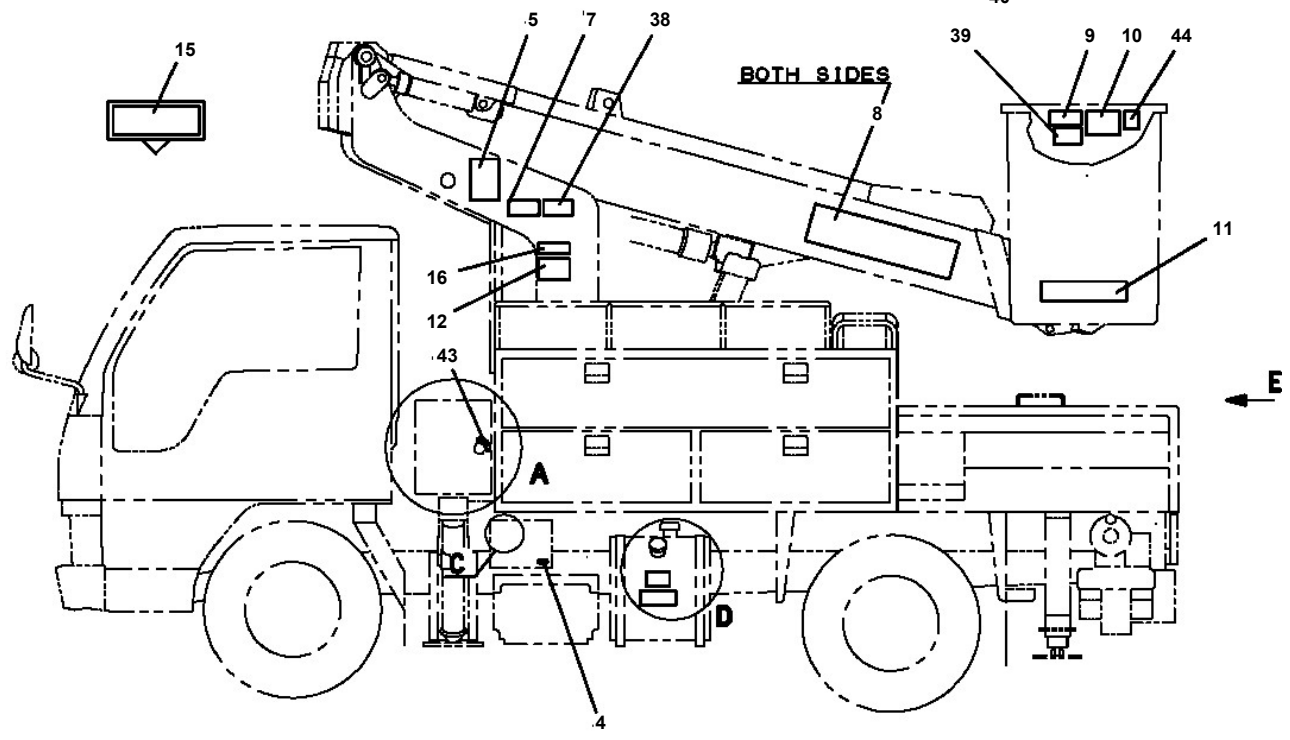
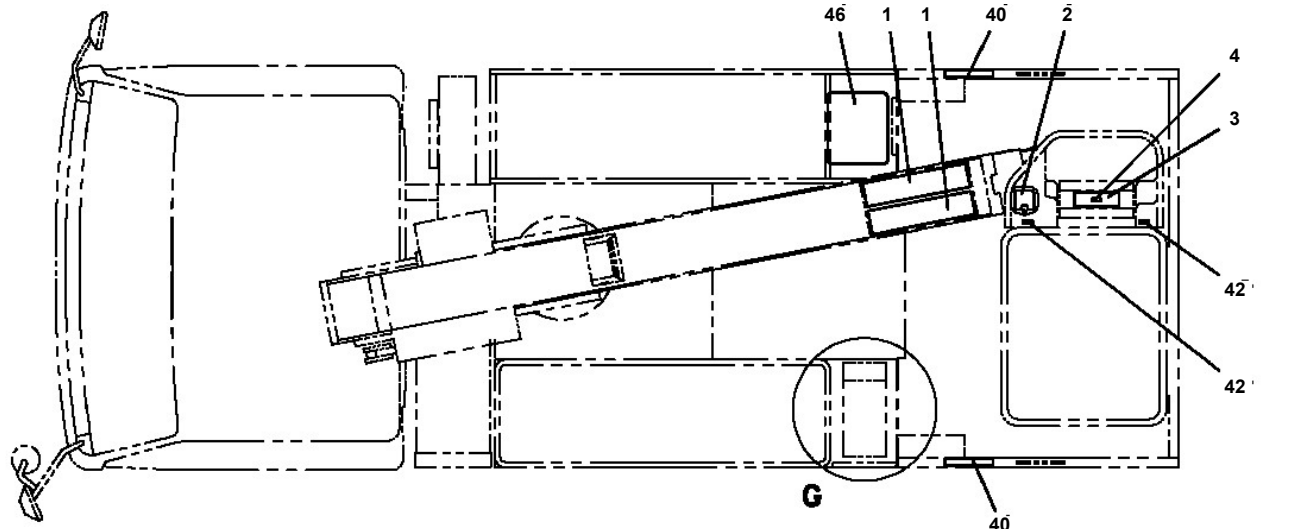
50



50



**AT-100-1 42063121511 UPPER,LOWER,MITSUBISHI KC-FG508B1
PO1013343-00 PLATE ASSY,NAME (UPPER)**



AT-100-1 42063121511 UPPER,LOWER,MITSUBISHI KC-FG508B1

Pos No.	Parts No	Parts Name	Qty	Unit	Technical Data	Serial No (Start)	Serial No (End)	Remark
1	37004100040	PUMP,GREASE (DOMESTIC)	1					

AT-100-1 42063121511 UPPER,LOWER,MITSUBISHI KC-FG508B1

Pos No.	Parts No	Parts Name	Qty	Unit	Technical Data	Serial No (Start)	Serial No (End)	Re
1	42650787510	BOARD ASSY (RC)	1					
2	42650787520	BOARD ASSY	1					
3	42650787530	HARNESS ASSY (24PM)	1					
4	42650787540	HARNESS ASSY (24PF)	1					
5	42650787550	HARNESS ASSY (8P JOINT)	2					
6	42650787560	HARNESS ASSY (10P JOINT)	1					
7	42650787570	COVER (CONTROLLER)	1					
8	36800017510	PACKING	1					
10	42650787580	ANGLE	3					
11	42650787590	COVER (A)	1					
12	42650787600	COVER (B)	1					
13	42650787610	PLATE (SIGHT)	1					
14	42650787620	PACKING	2					
50	42650781000	CONTROL BOX (RC COMPUTER)	1					

AT-100-1 42063121511 UPPER,LOWER,MITSUBISHI KC-FG508B1

Pos No.	Parts No	Parts Name	Qty	Unit	Technical Data	Serial No (Start)	Serial No (End)
1	42460012540	WEDGE (STOPPER FOR TIRE/NAKAMURA KIKI)	1				

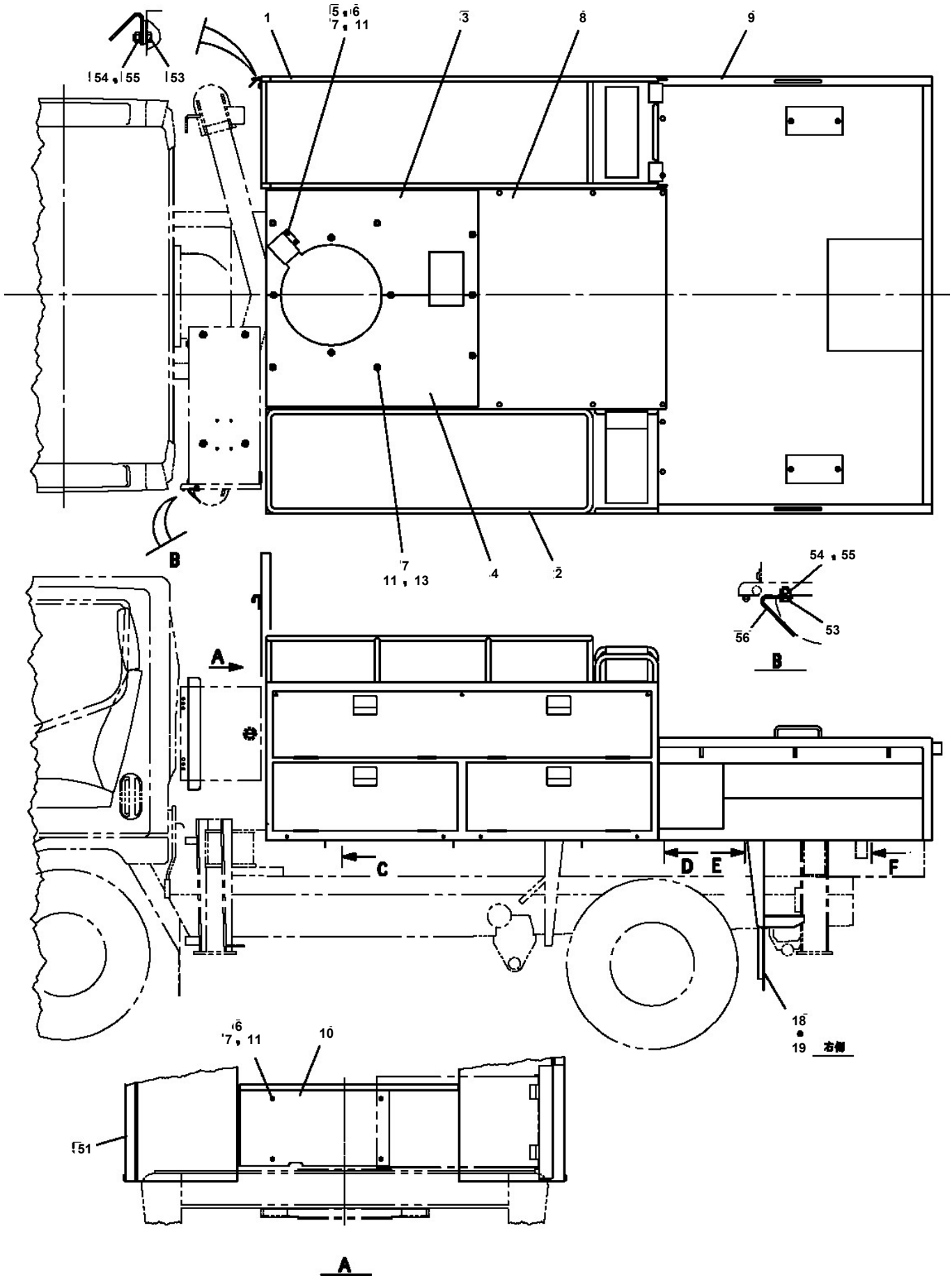
AT-100-1 42063121511 UPPER,LOWER,MITSUBISHI KC-FG508B1

Pos No.	Parts No	Parts Name	Qty	Unit	Technical Data	Serial No (Start)	Serial No (End)	Remarks	Pages
1	42862130100	FRAME	1						
2	37000510680	PLATE	2						
3	37000524530	PLATE	22						
4	42862130200	SUPPORT	2						
5	42860360100	SUPPORT	4						
6	37000522050	PLATE	2						

AT-100-1 42063121511 UPPER,LOWER,MITSUBISHI KC-FG508B1

Pos No.	Parts No	Parts Name	Qty	Unit	Technical Data	Serial No (Start)	Serial No (End)	Remarks	Pages
1	42892620200	SUPPORT	1						
2	42892620100	SUPPORT	1						
3	90101210020	BOLT	8		M10X20				
4	90302041001	WASHER,SPRING	8		10				

**AT-100-1 42063121511 UPPER,LOWER,MITSUBISHI KC-FG508B1
PX1350431-00 TOOL BOX INSTALLATION**



AT-100-1 42063121511 UPPER,LOWER,MITSUBISHI KC-FG508B1

Pos No.	Parts No	Parts Name	Qty	Unit	Technical Data	Serial No (Start)	Serial No (End)	Remark
1	(*****)	PIPING,HYDRAULIC LOWER	1					
2	(*****)	SIDE GUARD INSTALLATION	1					
3	(*****)	EARTHING DEVICE	1					
4	(*****)	WEIGHT INSTALLATION	1					
5	(*****)	WOOD BLOCK INSTALLATION	1					
6	(*****)	TANK,OIL	1					
21	(*****)	TOOL BOX INSTALLATION	1					

AT-100-1 42063121511 UPPER,LOWER,MITSUBISHI KC-FG508B1

Pos No.	Parts No	Parts Name	Qty	Unit	Technical Data	Serial No (Start)	Serial No (End)	R
1	42470050000	ROPE (SAFETY,1.5M,WITH HOOK)	1					

AT-100-1 42063121511 UPPER,LOWER,MITSUBISHI KC-FG508B1

Pos No.	Parts No	Parts Name	Qty	Unit	Technical Data	Serial No (Start)	Serial No (End)	R
1	42474411500	HARNESS	1					
2	37000562440	PLATE	1					
3	90101210020	BOLT	2		M10X20			
4	90302041001	WASHER,SPRING	2		10			
5	42735540100	PANEL	1					
6	80456020610	JOINT,SELF SEALING	1					
7	37000918530	JOINT	2					
8	37001600810	NUT	2		PF1/4			
9	37002411640	HOSE	2		L=750			
10	42340013200	JOINT,SELF SEALING (WITH CAP)	1					
11	42470140040	PLATE,NAME	1					
12	42470140030	PLATE,NAME (TANK PORT)	1					
13	37000918500	JOINT	2					
14	91002801400	O-RING	2		1B P14			
15	37000909290	JOINT	1					
16	80430450450	JOINT	3		YL502			
17	91810130240	FASTENER	7					
18	42310040050	ROPE (TETORON)	2					
19	82100001735	SLEEVE	4					
31	42340017550	CAP (DUST)	1					
41	42340017510	CAP (DUST)	1					

AT-100-1 42063121511 UPPER,LOWER,MITSUBISHI KC-FG508B1

Pos No.	Parts No	Parts Name	Qty	Unit	Technical Data	Serial No (Start)	Serial No (End)	Remarks	P
1	42262250100	COVER,BUCKET	1						
10	42262257510	BELT (WITH STOPPER)	1						
20	42263597510	HOOK	3						

AT-100-1 42063121511 UPPER,LOWER,MITSUBISHI KC-FG508B1

Pos No.	Parts No	Parts Name	Qty	Unit	Technical Data	Serial No (Start)	Serial No (End)	Remarks	Pages
1	42473340000	STEP,BUCKET	1						

CLICK HERE TO **DOWNLOAD** THE COMPLETE MANUAL

- Thank you very much for reading the preview of the manual.
- You can download the complete manual from: www.heydownloads.com by clicking the link below



- Please note: If there is no response to CLICKING the link, please download this PDF first and then click on it.

CLICK HERE TO **DOWNLOAD** THE COMPLETE MANUAL