

AT-100-1 42063121205 UPPER,LOWER,MITSUBISHI KC-FE567B4K

PB0000263-00 UPPER STRUCTURE SYSTEM

PB0000500-02 LOWER STRUCTURE SYSTEM

ASSEMBLY

CLICK HERE TO **DOWNLOAD** THE COMPLETE MANUAL

- Thank you very much for reading the preview of the manual.
- You can download the complete manual from: www.heydownloads.com by clicking the link below

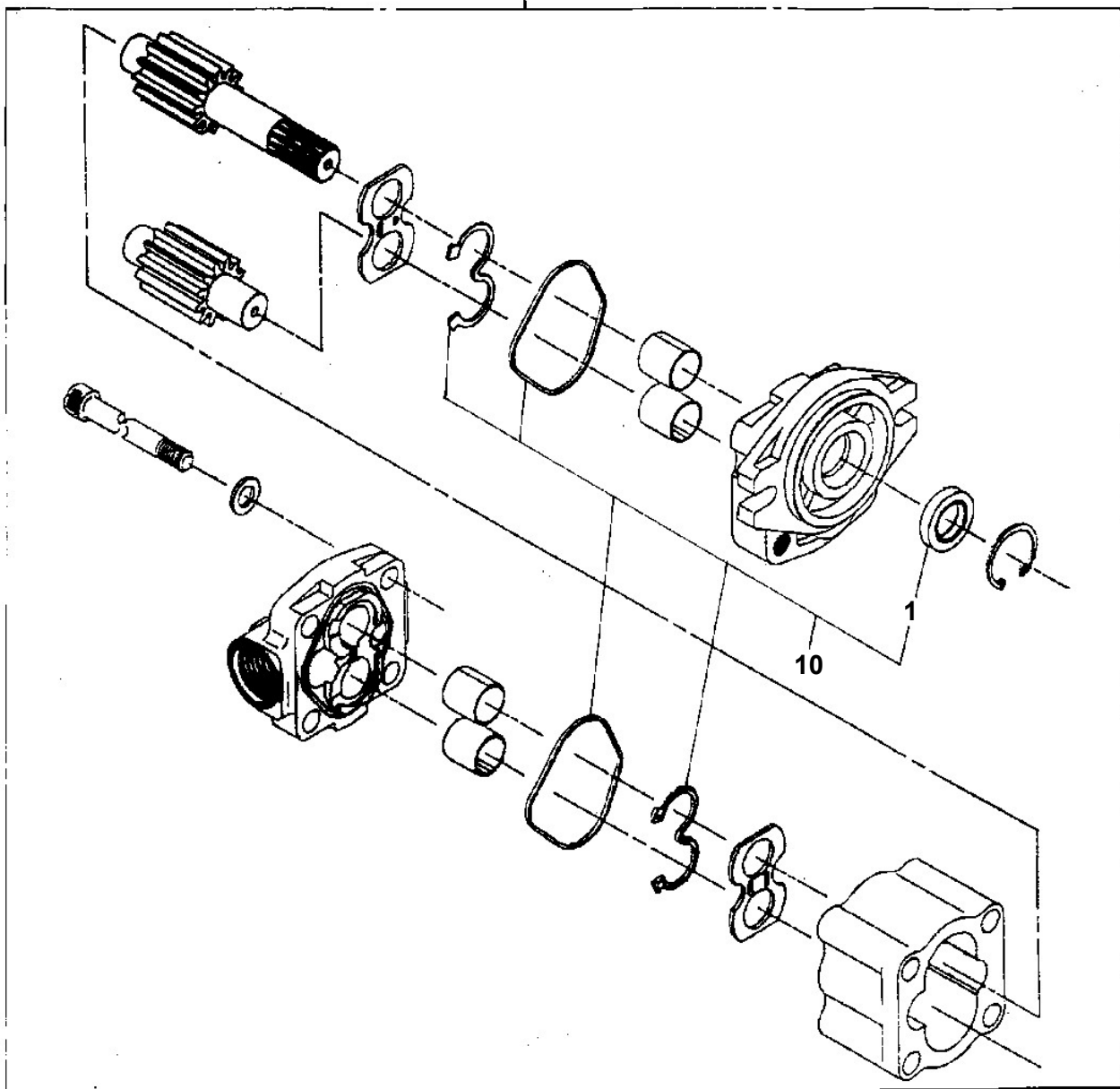


- Please note: If there is no response to CLICKING the link, please download this PDF first and then click on it.

CLICK HERE TO **DOWNLOAD** THE COMPLETE MANUAL

AT-100-1 42063121205 UPPER,LOWER,MITSUBISHI KC-FE567B4K
PB1100118-00 PUMP, HYDRAULIC

50



AT-100-1 42063121205 UPPER,LOWER,MITSUBISHI KC-FE567B4K

Pos No.	Parts No	Parts Name	Qty	Unit	Technical Data	Serial No (Start)	Serial No (End)	Remarks
1	37002429400	HOSE	1		L=680			
2	37002448750	HOSE	1		L=600			
3	81408000130	PIPE,STEEL	2	M	10X1.8T			
4	81408000130	PIPE,STEEL	2	M	10X1.8T			
5	42342740100	COVER	1					
6	90101208012	BOLT	6		M8X12			
7	90302040801	WASHER,SPRING	8		8			
8	37002448760	HOSE	2		L=1570			
9	80430620400	JOINT	4					
10	80316070040	PLUG	2		PF1/4			
11	91002801100	O-RING	2		1B P11			
12	37002448770	HOSE	1		L=680			
13	37002448780	HOSE	1		L=600			
14	80320010050	FITTING	2		KUD10-020N			
15	80320010075	FITTING	1		KUD12-020N			
16	81408000160	PIPE,STEEL	2	M	12X1.4T			
17	81408000160	PIPE,STEEL	2	M	12X1.4T			
18	37000711600	CLAMP ASSY	3					
19	37000300720	SLEEVE	6		12-10			
20	90101208060	BOLT	2		M8X60			
24	81408000130	PIPE,STEEL	2	M	10X1.8T			
25	81408000130	PIPE,STEEL	2	M	10X1.8T			
26	37002411910	HOSE	1		L=670			
27	37002415100	HOSE	1		L=450			
28	37002422470	HOSE	1		L=550			
29	80430620600	JOINT (WITH O-RING)	1		L,G3/8-G3/8			
30	37000909290	JOINT	1					
31	80430450450	JOINT	1		YL502			
32	91810130240	FASTENER	5					
33	37000714020	CLAMP ASSY	1		12X2			
34	90303070801	WASHER,PLAIN	6		8			
35	80320010080	FITTING	1		KUD12-030N			
41	91002801100	O-RING	7		1B P11			
51	36630910000	VALVE,MANUAL CONTROL	2					
52	80302010100	FITTING	2		KCT10-020N			
53	80302010160	FITTING	2		KCT12-030N			
54	37000901820	JOINT	1		R3/8-G1/4			
55	80303030100	FITTING,ELBOW	2		KLN10-020N			
64	80430450650	JOINT	1					
71	80302090121	FITTING	2		KCO10-030N			
72	91002801400	O-RING	4		1B P14			
73	42340240500	FILTER,OIL	3					
74	36602610000	VALVE,RELIEF	1					
75	37000908730	JOINT (WITH O-RING)	1		L,G3/8-G1/4			

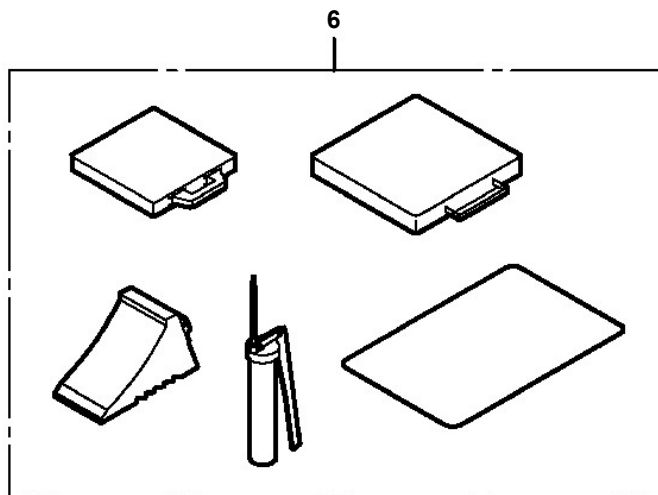
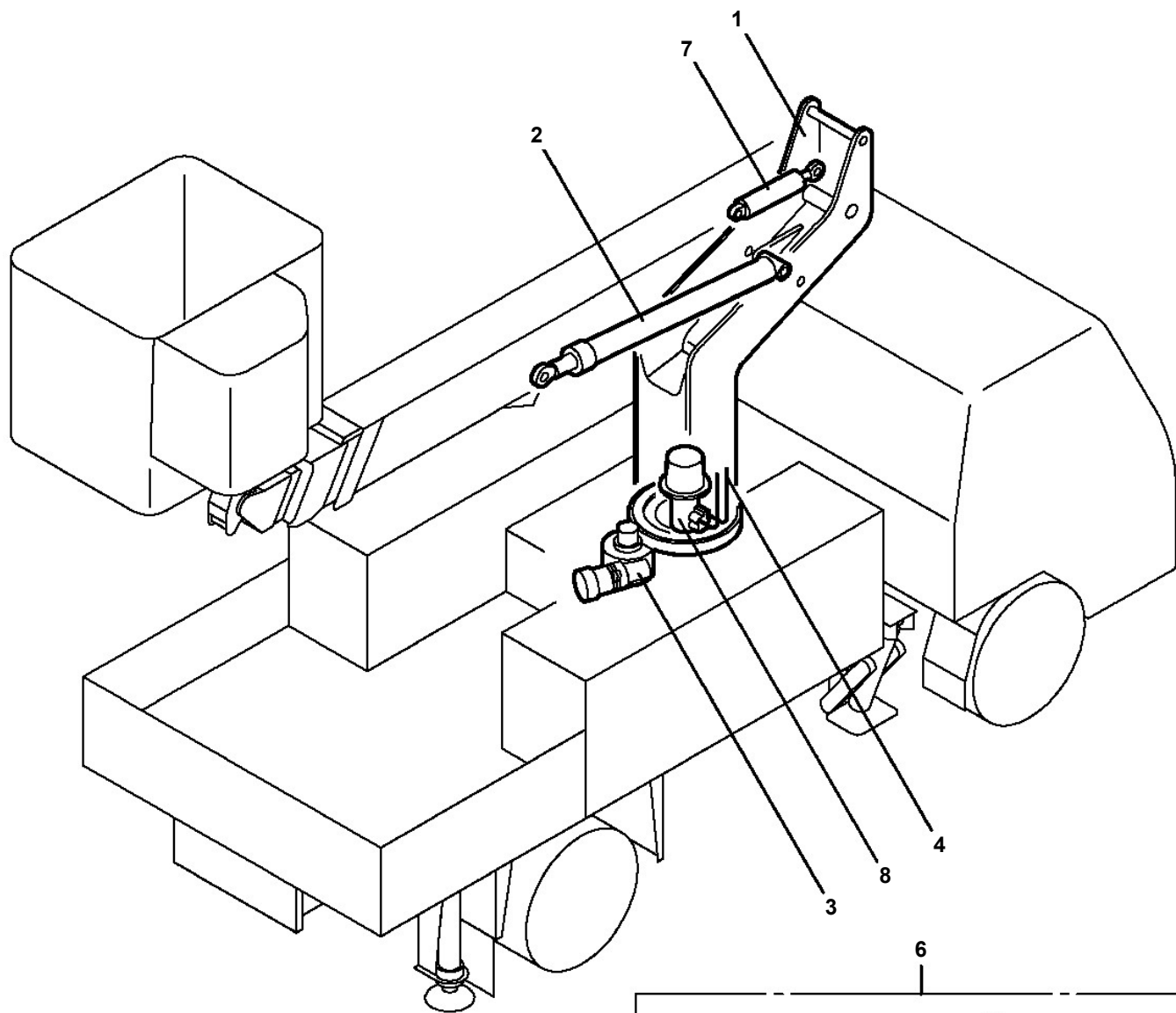
AT-100-1 42063121205 UPPER,LOWER,MITSUBISHI KC-FE567B4K

Pos No.	Parts No	Parts Name	Qty	Unit	Technical Data	Serial No (Start)	Serial No (End)
1	36033400100	CYLINDER	1				
2	91002803400	O-RING	1		1B P34		
3	91350207500	BEARING,PLAIN (WITH PACKINGX2)	1				
4	36033400400	PISTON	1				
5	36033400300	ROD	1				
6	91002907000	O-RING	1		1B G70		
7	91694006000	PACKING	1				
8	91410206002	RING,BACKUP	1				
9	91660006001	SEAL,DUST	1				
10	36032020200	COVER,ROD	1				
11	90710005060	SCREW,SET	1		M5X6		
12	37005000010	RING,BACKUP	2				
40	36032599900	PACKING SET	1				
100	36033400000	CYLINDER,JACK (FRONT)	1				

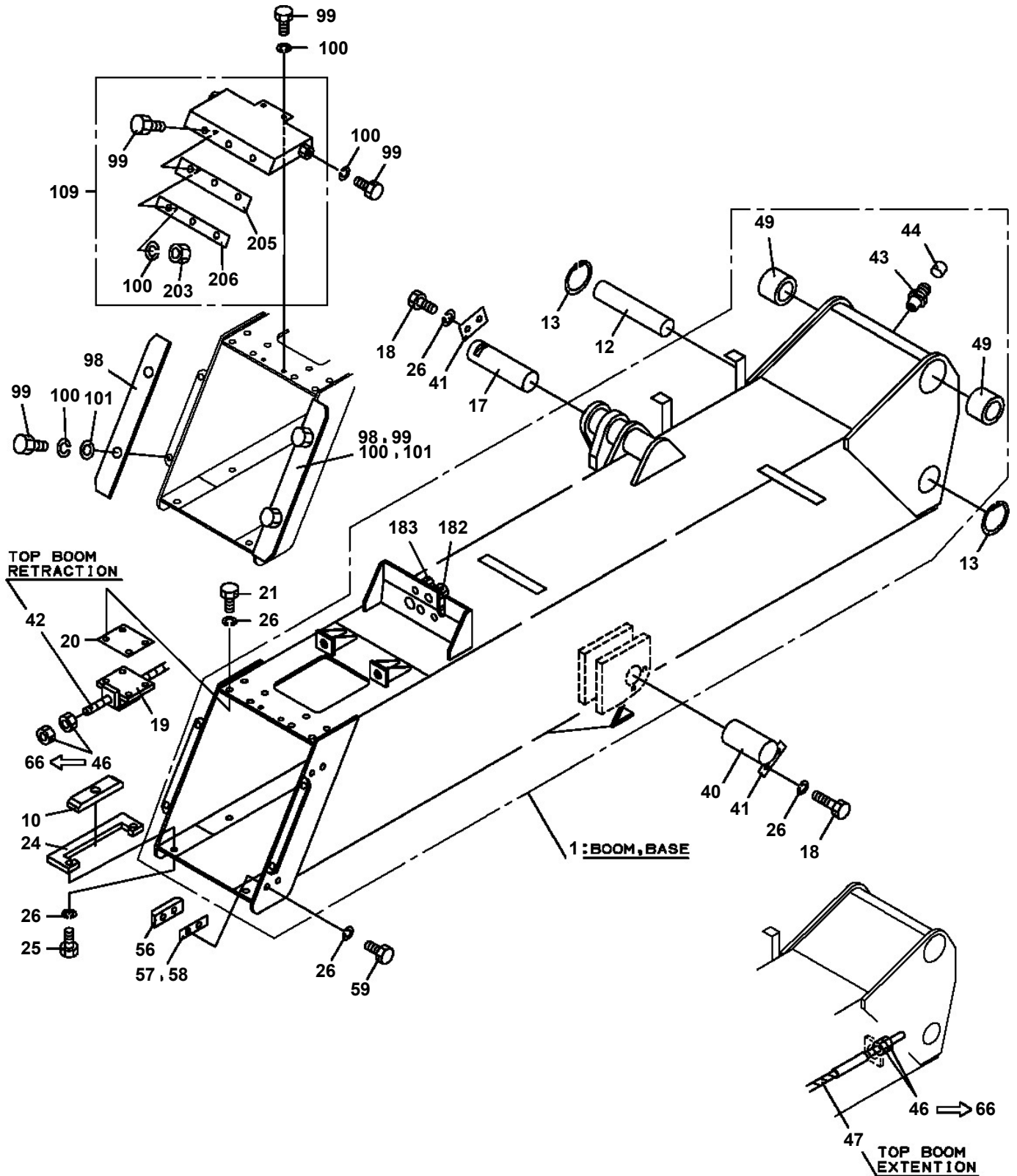
AT-100-1 42063121205 UPPER,LOWER,MITSUBISHI KC-FE567B4K

Pos No.	Parts No	Parts Name	Qty	Unit	Technical Data	Serial No (Start)	Serial No (End)
1	37000711080	CLAMP ASSY	8		12-2		
2	81408000160	PIPE,STEEL	1	M	12X1.4T		
3	81408000160	PIPE,STEEL	1	M	12X1.4T		
4	80301010100	FITTING	5		KUA12-000N		216698
	80301010100	FITTING	3		KUA12-000N	216699	
5	81408000160	PIPE,STEEL	1	M	12X1.4T		216698
6	81408000160	PIPE,STEEL	1	M	12X1.4T		
7	81408000241	PIPE,STEEL	1	M	18X1.9T		
8	80303030230	FITTING,ELBOW	1				
9	42643041000	VALVE,SOLENOID (WITH CONNECTOR)	1				
10	80305010100	FITTING,TEE	3		KTA12-000N		
11	80305010160	FITTING,TEE	2		KTA18-000E		
12	81408000160	PIPE,STEEL	1	M	12X1.4T		
13	37000711180	CLAMP ASSY	2		18X3		
15	81408000241	PIPE,STEEL	2	M	18X1.9T		
16	81408000241	PIPE,STEEL	2	M	18X1.9T		
17	80301010160	FITTING	3		KUA18-000N		
18	37000924070	JOINT	1		S,G1/2-G1/2		
19	81408000241	PIPE,STEEL	1	M	18X1.9T		
20	81408000241	PIPE,STEEL	1	M	18X1.9T		
21	80320010075	FITTING	8		KUD12-020N		
22	81408000160	PIPE,STEEL	1	M	12X1.4T		
23	81408000160	PIPE,STEEL	1	M	12X1.4T		
24	80302090241	FITTING	3		KCO18-040N		
25	91002801800	O-RING	5		1B P18		
26	80302090161	FITTING	8		KCO12-030N		
27	91002801400	O-RING	14		1B P14		
28	81408000160	PIPE,STEEL	1	M	12X1.4T		
29	80302090151	FITTING	1		KCO12-040N		
30	81408000241	PIPE,STEEL	1	M	18X1.9T		
31	91810130240	FASTENER	10				
32	81408000160	PIPE,STEEL	1	M	12X1.4T		
33	81408000160	PIPE,STEEL	1	M	12X1.4T		
37	37000711170	CLAMP ASSY	2		12X3		
38	37002455260	HOSE	1		L=480 TO 380		
39	90101208060	BOLT	2		M8X60		
40	81408000160	PIPE,STEEL	1	M	12X1.4T		
41	81408000160	PIPE,STEEL	1	M	12X1.4T		
42	81408000160	PIPE,STEEL	2	M	12X1.4T		
43	81408000160	PIPE,STEEL	2	M	12X1.4T		
44	81408000160	PIPE,STEEL	1	M	12X1.4T		
45	90302040801	WASHER,SPRING	3		8		
46	37000711120	CLAMP ASSY	2		12X2		
47	80303130161	FITTING,ELBOW	2		KLO12-030E		
48	81408000160	PIPE,STEEL	1	M	12X1.4T		
49	37002425870	HOSE	4		L=600		
50	80303010100	FITTING,ELBOW	4		KLA12-000N		
51	81408000160	PIPE,STEEL	1	M	12X1.4T		
52	81408000160	PIPE,STEEL	1	M	12X1.4T		
53	37000601600	CLAMP	1		WR54		
54	81408000241	PIPE,STEEL	1	M	18X1.9T		
55	37000711010	CLAMP ASSY	3		18X1		
56	81408000241	PIPE,STEEL	1	M	18X1.9T		
57	81408000160	PIPE,STEEL	2	M	12X1.4T		
58	81408000160	PIPE,STEEL	1	M	12X1.4T		
59	81408000160	PIPE,STEEL	1	M	12X1.4T		
61	90201200800	NUT	1		M8		
62	80400160129	JOINT	1				
63	80400160128	JOINT	5		S,G3/8-G1/4		
64	90101208020	BOLT	1		M8X20		
66	37002434830	HOSE	4		L=380		
67	42643281110	JOINT	1				
68	91810132530	FASTENER	4				

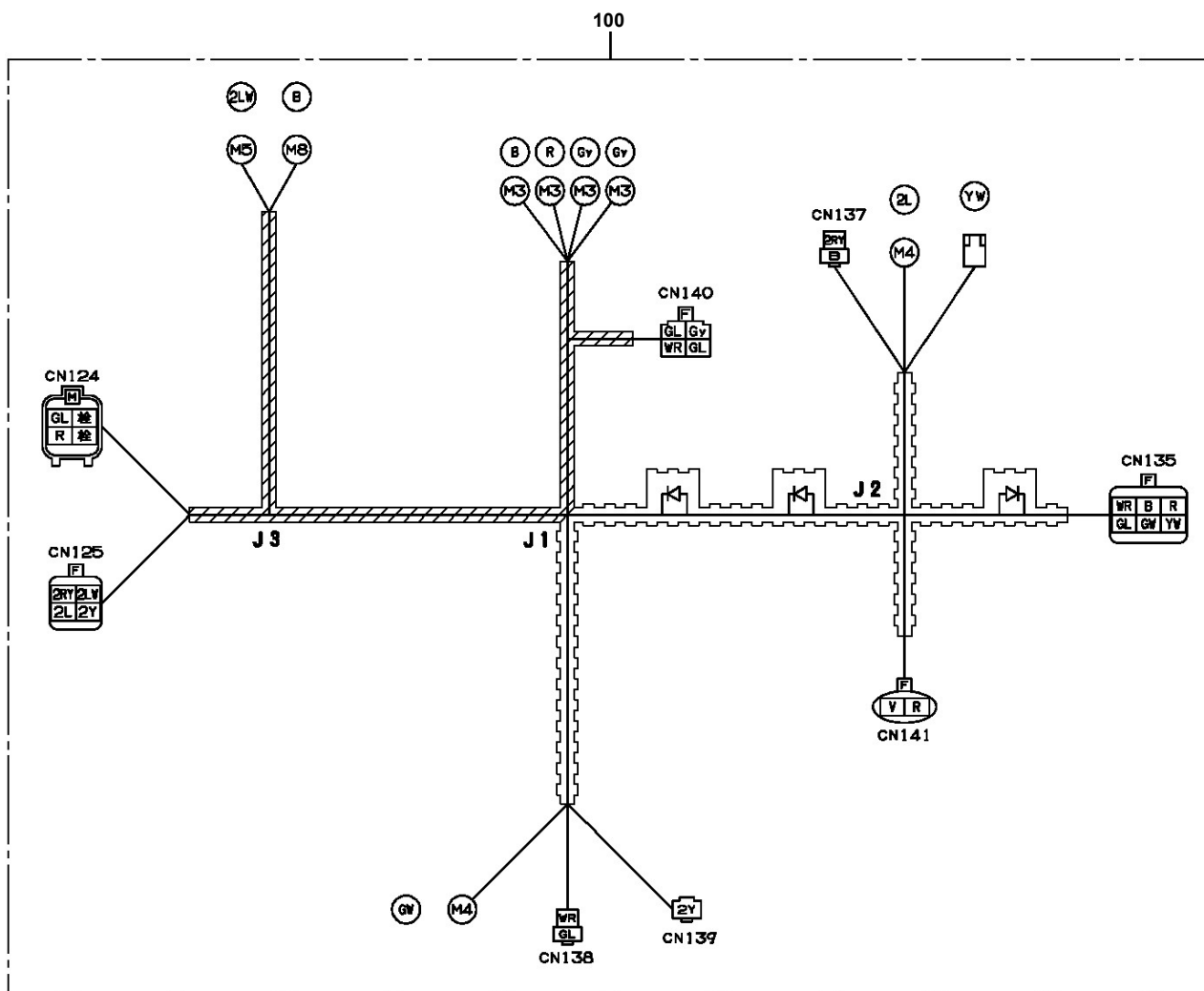
AT-100-1 42063121205 UPPER,LOWER,MITSUBISHI KC-FE567B4K
PD2000243-00 SWING UNIT



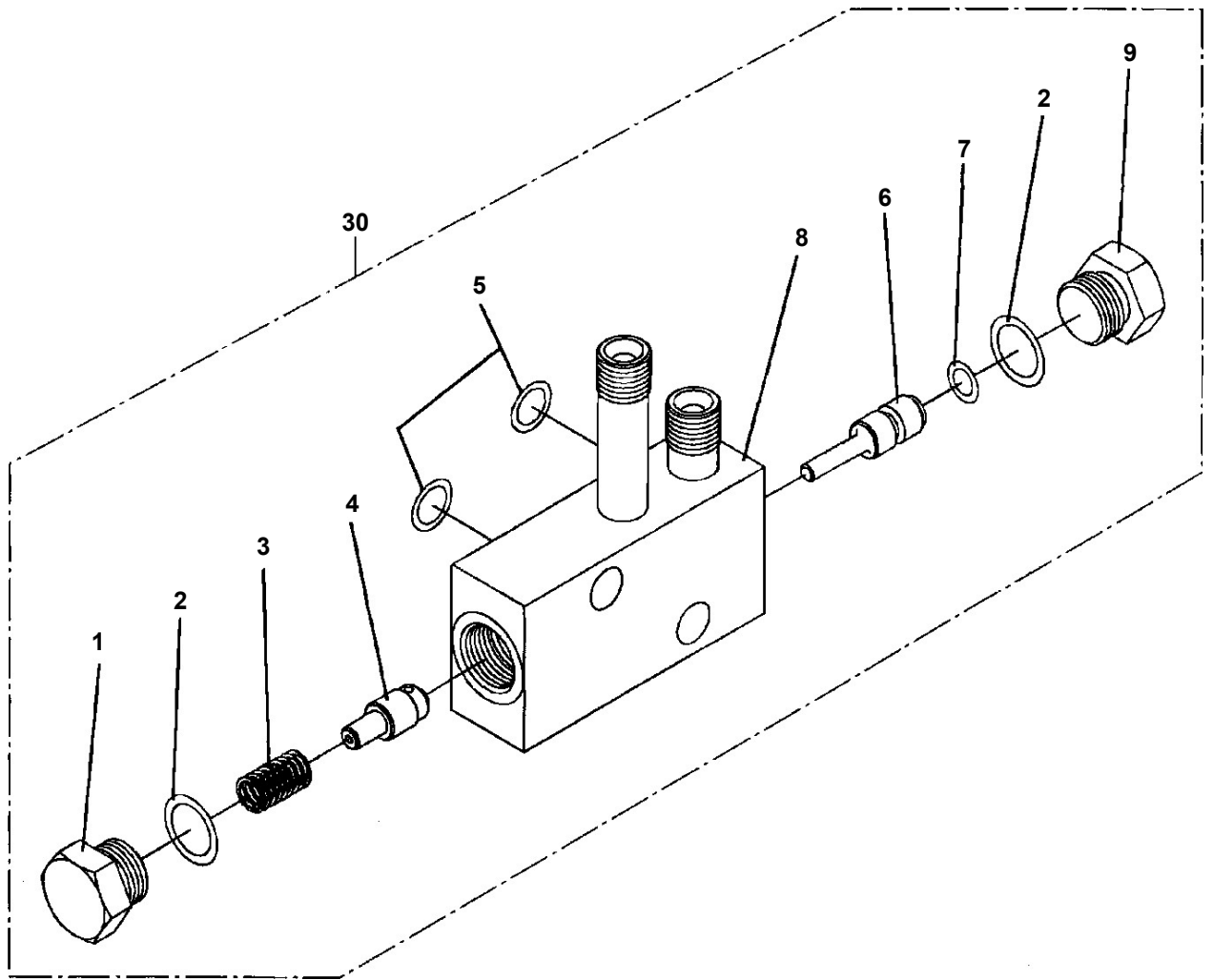
**AT-100-1 42063121205 UPPER,LOWER,MITSUBISHI KC-FE567B4K
PG1010440-06 BOOM**



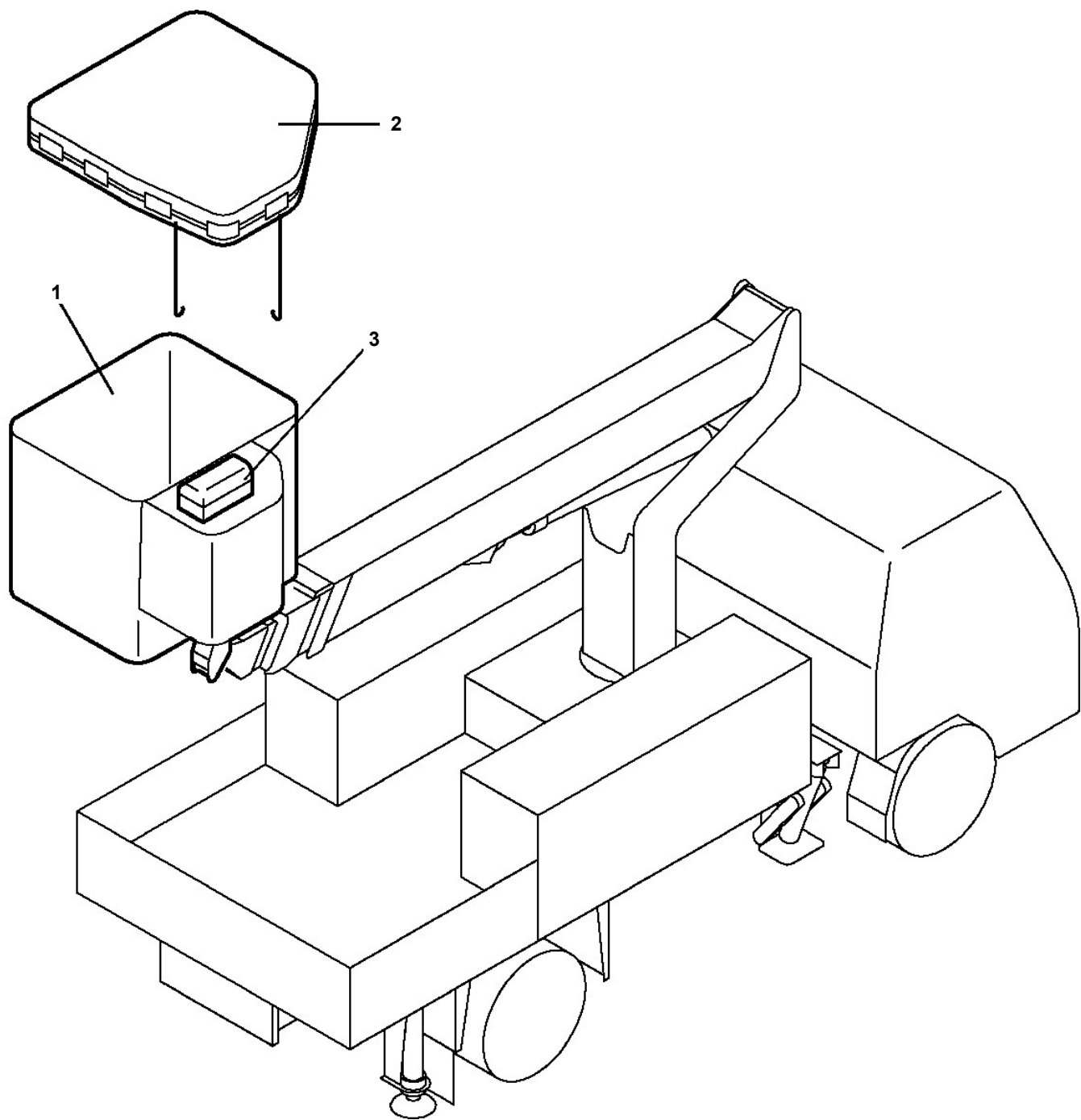
AT-100-1 42063121205 UPPER,LOWER,MITSUBISHI KC-FE567B4K
 PH5032087-00 HARNESS



AT-100-1 42063121205 UPPER,LOWER,MITSUBISHI KC-FE567B4K
PI1140135-00 VALVE,CHECK



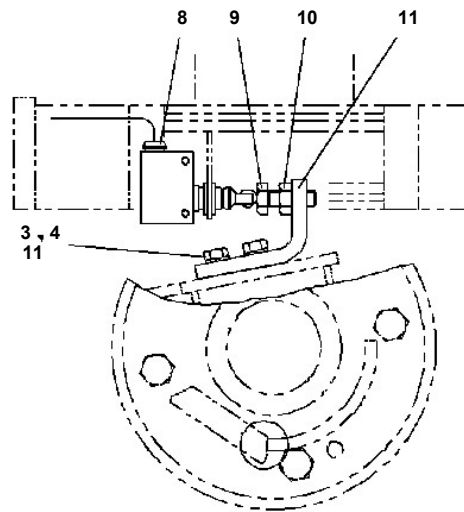
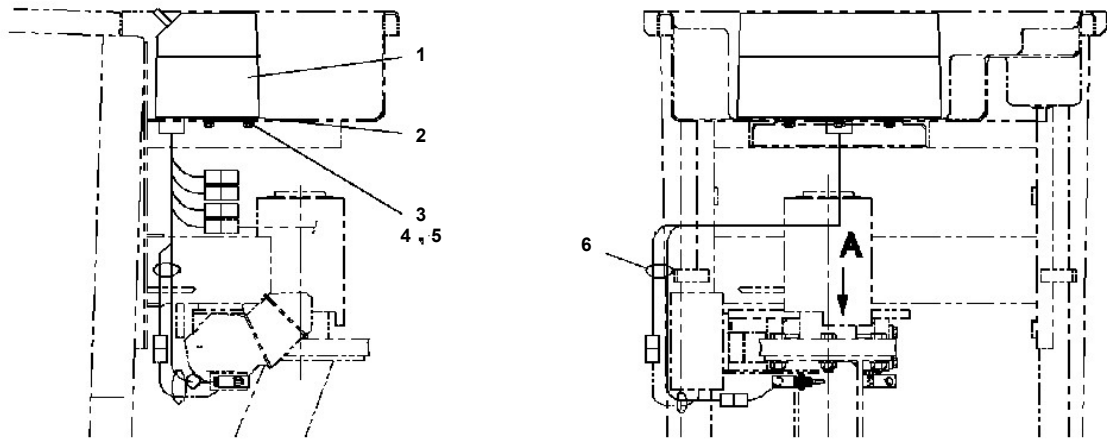
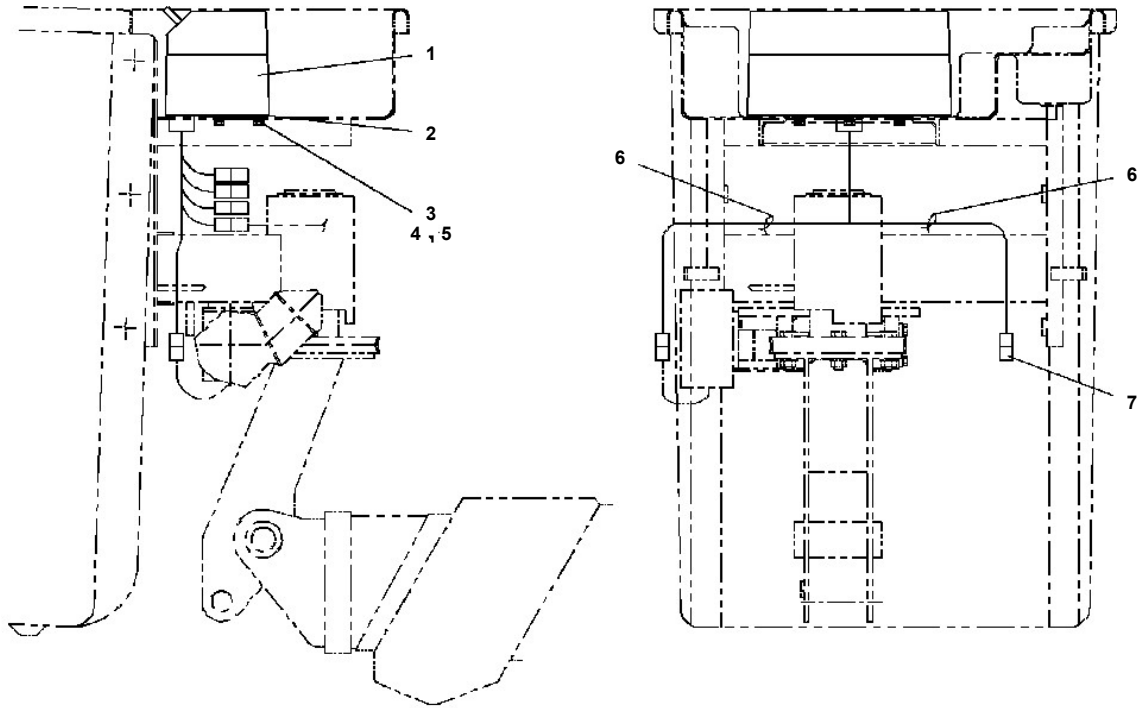
**AT-100-1 42063121205 UPPER,LOWER,MITSUBISHI KC-FE567B4K
PJ2000009-00 BUCKET SYSTEM**



AT-100-1 42063121205 UPPER,LOWER,MITSUBISHI KC-FE567B4K

Pos No.	Parts No	Parts Name	Qty	Unit	Technical Data	Serial No (Start)	Serial No (End)	Remarks	P
1	42621381001	FRAME ASSY	1						
2	42621260200	COVER ASSY	1						
3	80175805016	SCREW,MACHINE	6		M5X16				
4	80175805010	SCREW,MACHINE	6		M5X10				
5	82464020103	HINGE	2						
6	90302040501	WASHER,SPRING	6		5				
7	90303070501	WASHER,PLAIN	12		5				
8	90201200500	NUT	6		M5				
9	90240200500	NUT,CAP	6		M5				
10	90101210016	BOLT	4		M10X16				
11	90302041001	WASHER,SPRING	4		10				
12	42621380100	GUARD	1						
13	82400000366	INSULATOR	2						
14	80172305016	SCREW,MACHINE	2		M5X16				
15	33230000050	PLATE	1						
31	42621260210	COVER	1						
32	82461015122	CATCH (WITHOUT KEY)	1						
33	80175305010	SCREW,MACHINE	2		M5X10				
34	80172303012	SCREW,MACHINE	2		M3X12				
35	82400000316	INSULATOR	2						
36	90302040301	WASHER,SPRING	2		3				
37	90201200300	NUT	2		M3				

**AT-100-1 42063121205 UPPER,LOWER,MITSUBISHI KC-FE567B4K
PL1050035-01 OPERATION SYSTEM, BUCKET**



A

CLICK HERE TO **DOWNLOAD** THE COMPLETE MANUAL

- Thank you very much for reading the preview of the manual.
- You can download the complete manual from: www.heydownloads.com by clicking the link below

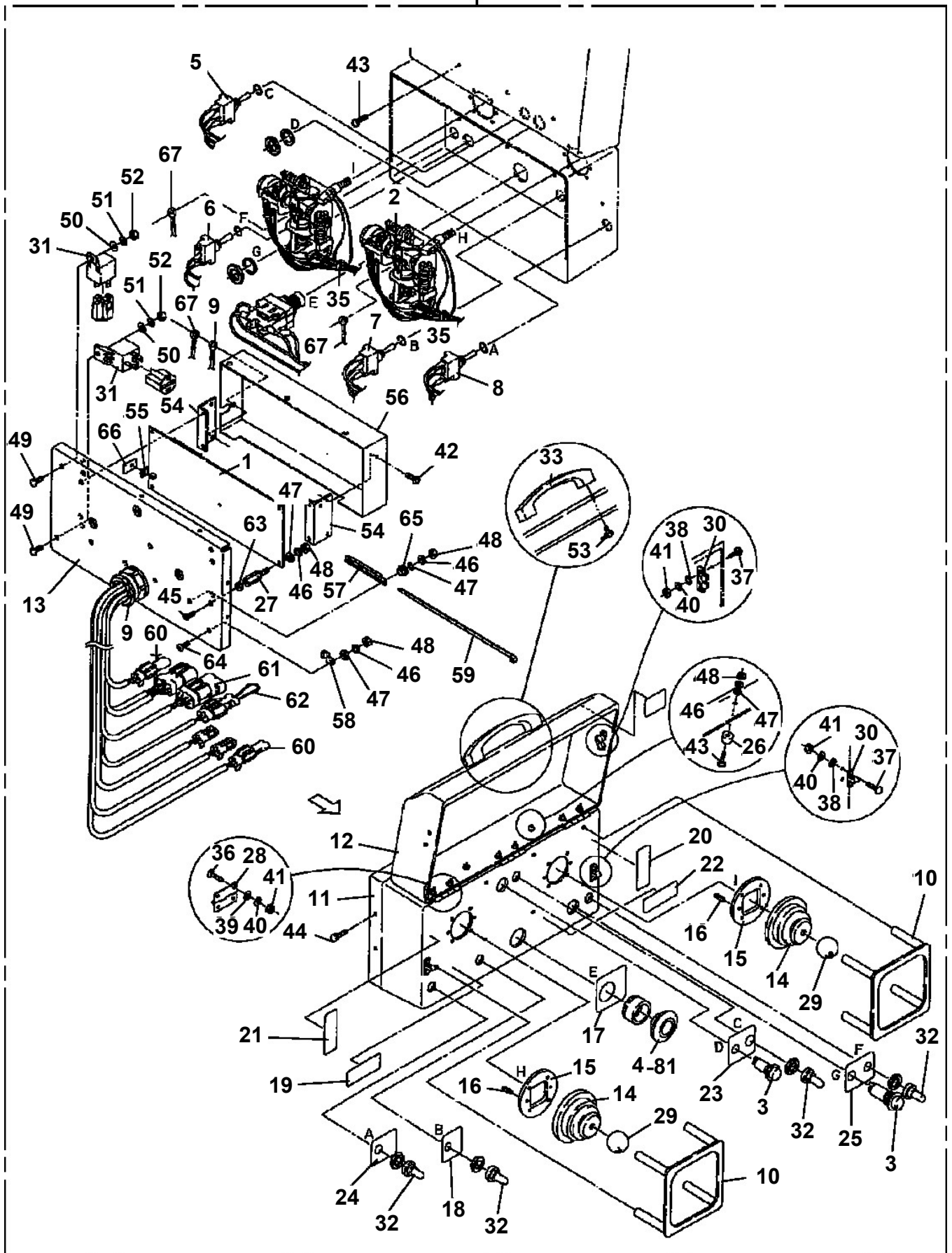


- Please note: If there is no response to CLICKING the link, please download this PDF first and then click on it.

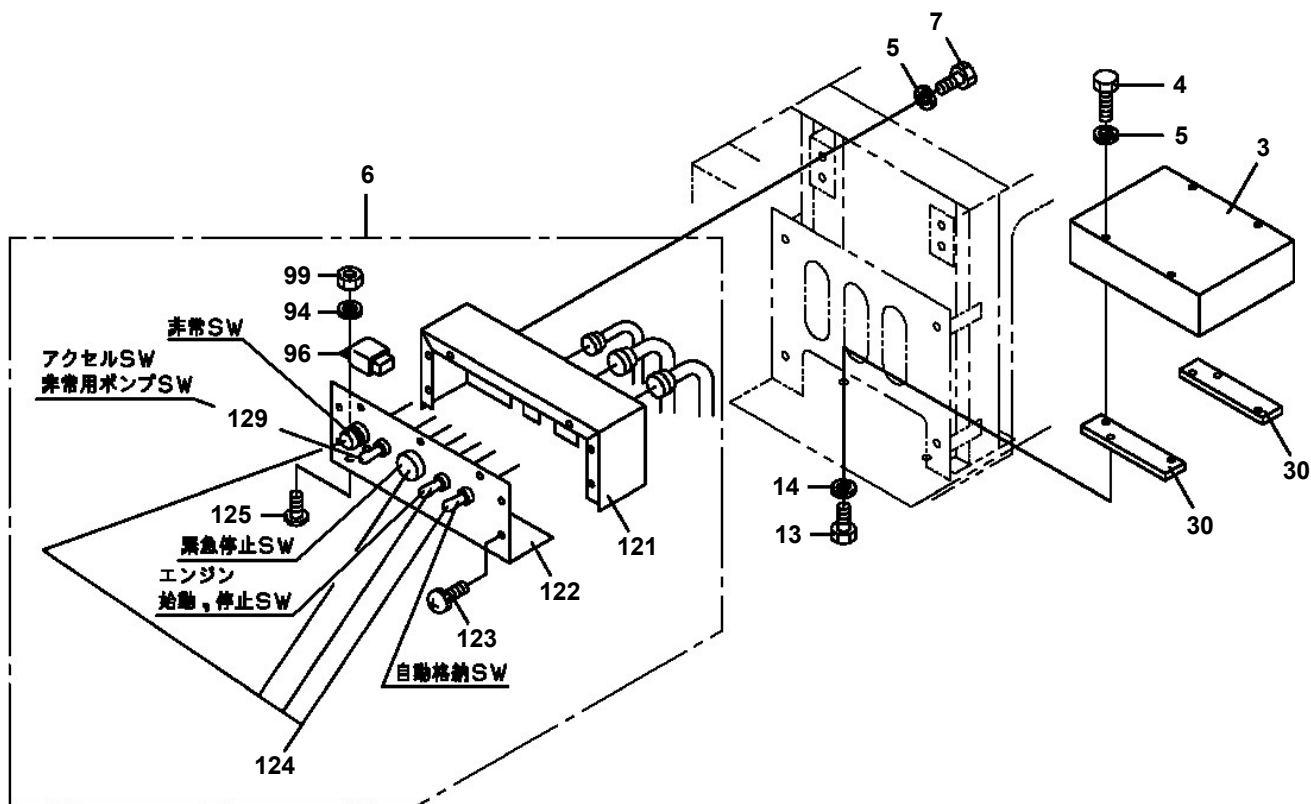
CLICK HERE TO **DOWNLOAD** THE COMPLETE MANUAL

AT-100-1 42063121205 UPPER,LOWER,MITSUBISHI KC-FE567B4K
PL1100191-02 BOX,OPERATION

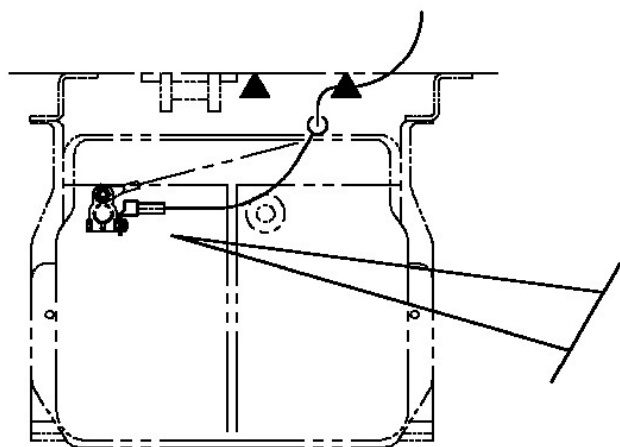
100



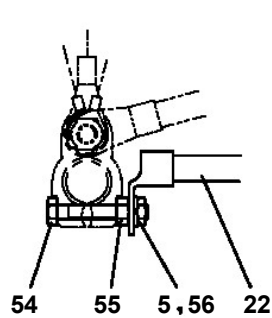
AT-100-1 42063121205 UPPER,LOWER,MITSUBISHI KC-FE567B4K
 PN1011481-06 ELEC.ASSY (FRAME)



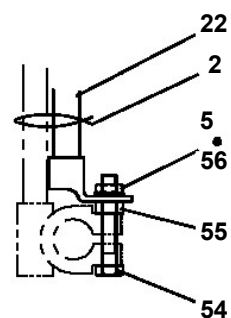
VIEW A



VIEW B



三菱FE538
 トヨタ/日野 BU102



いすゞNKR66

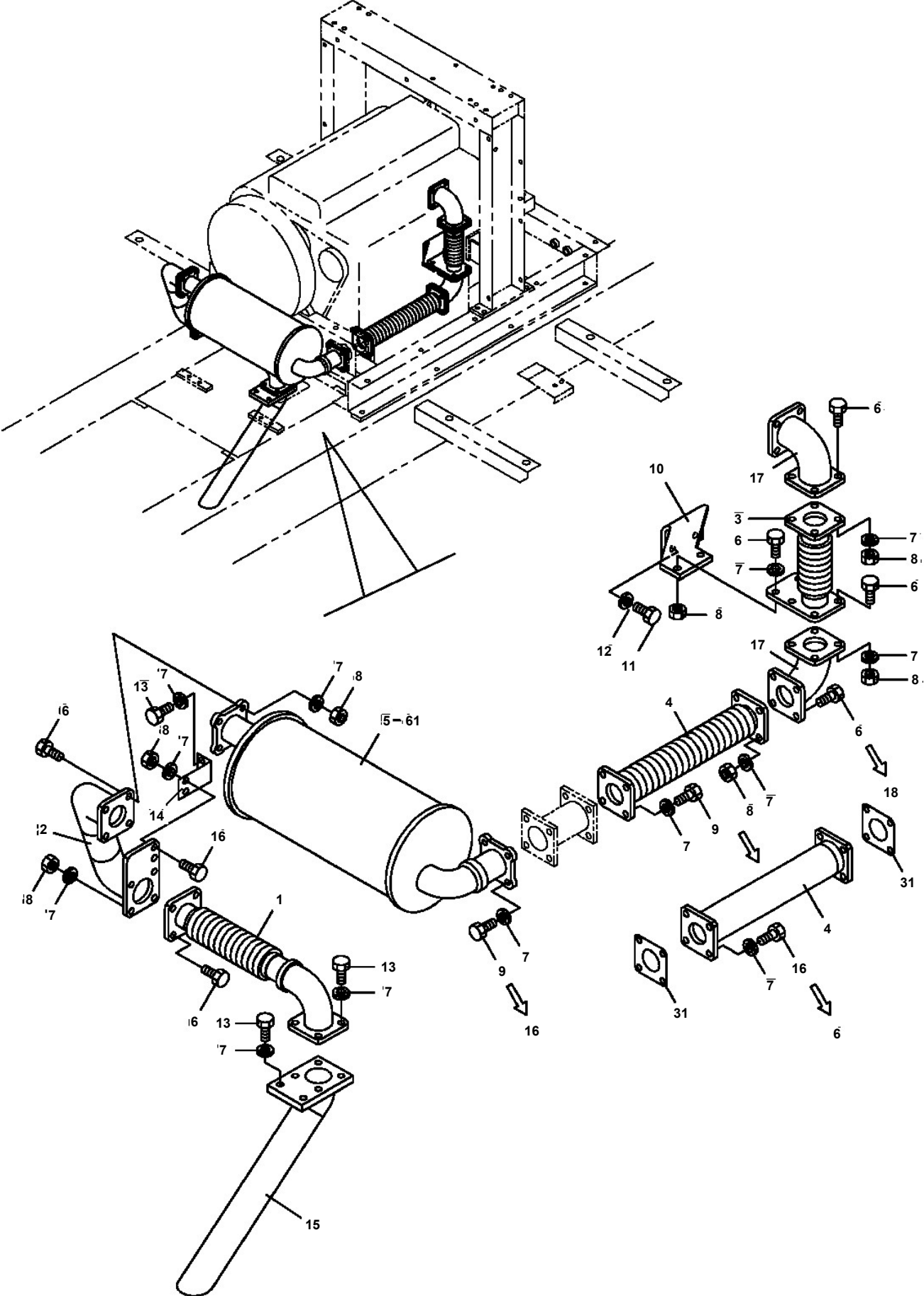
AT-100-1 42063121205 UPPER,LOWER,MITSUBISHI KC-FE567B4K

Pos No.	Parts No	Parts Name	Qty	Unit	Technical Data	Serial No (Start)	Serial No (End)	Remarks	Pages
1	(*****)	PLATE,INDICATION	1						000073

AT-100-1 42063121205 UPPER,LOWER,MITSUBISHI KC-FE567B4K
PP5330003-00 POWER SUPPLY ASSY

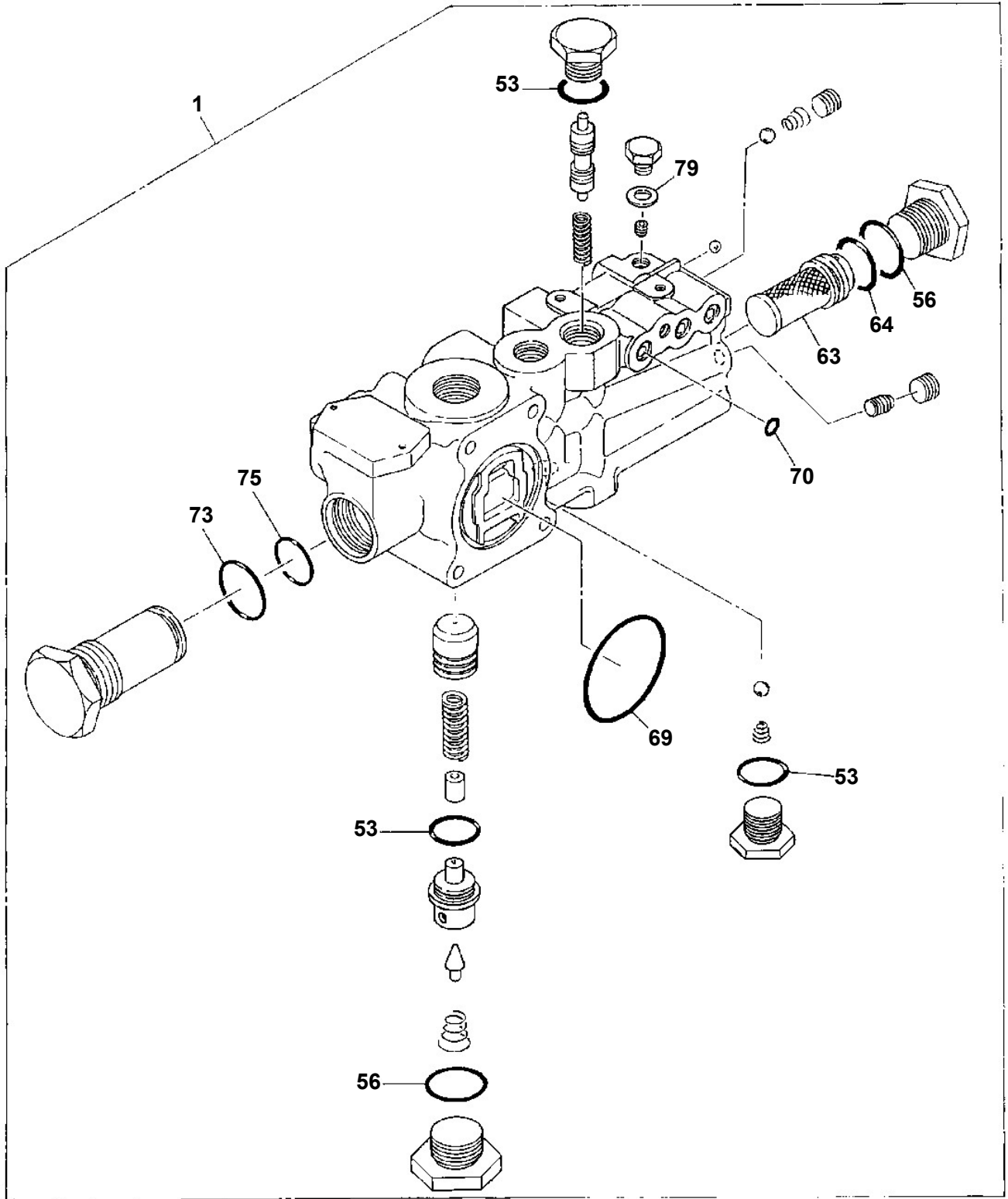
指示番号 KEY NO.	ハ [°] ワ [°] サ [°] プ [°] ラ [°] イ [°] ASSY (ユ [°] ア [°] ツ [°] ト [°] リ [°] タ [°] シ) POWER SUPPLY ASSY
1	ハ [°] イ [°] ピ [°] ン [°] ク [°] ,フ [°] -スタ PIPING,BOOSTER
2	ハ [°] イ [°] ピ [°] ン [°] ク [°] ,ア [°] ウ [°] ト [°] レ [°] ツ [°] ト PIPING,OUTLET
3	フ [°] レ [°] ト [°] ASSY ,ネ [°] -ム PLATE ASSY,NAME

**AT-100-1 42063121205 UPPER,LOWER,MITSUBISHI KC-FE567B4K
PQ1040019-03 EXHAUST INSTALLATION**

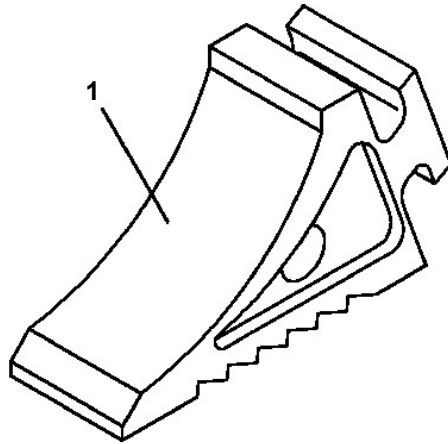


**AT-100-1 42063121205 UPPER,LOWER,MITSUBISHI KC-FE567B4K
PV1020057-01 VALVE,REMOTE CONTROL**

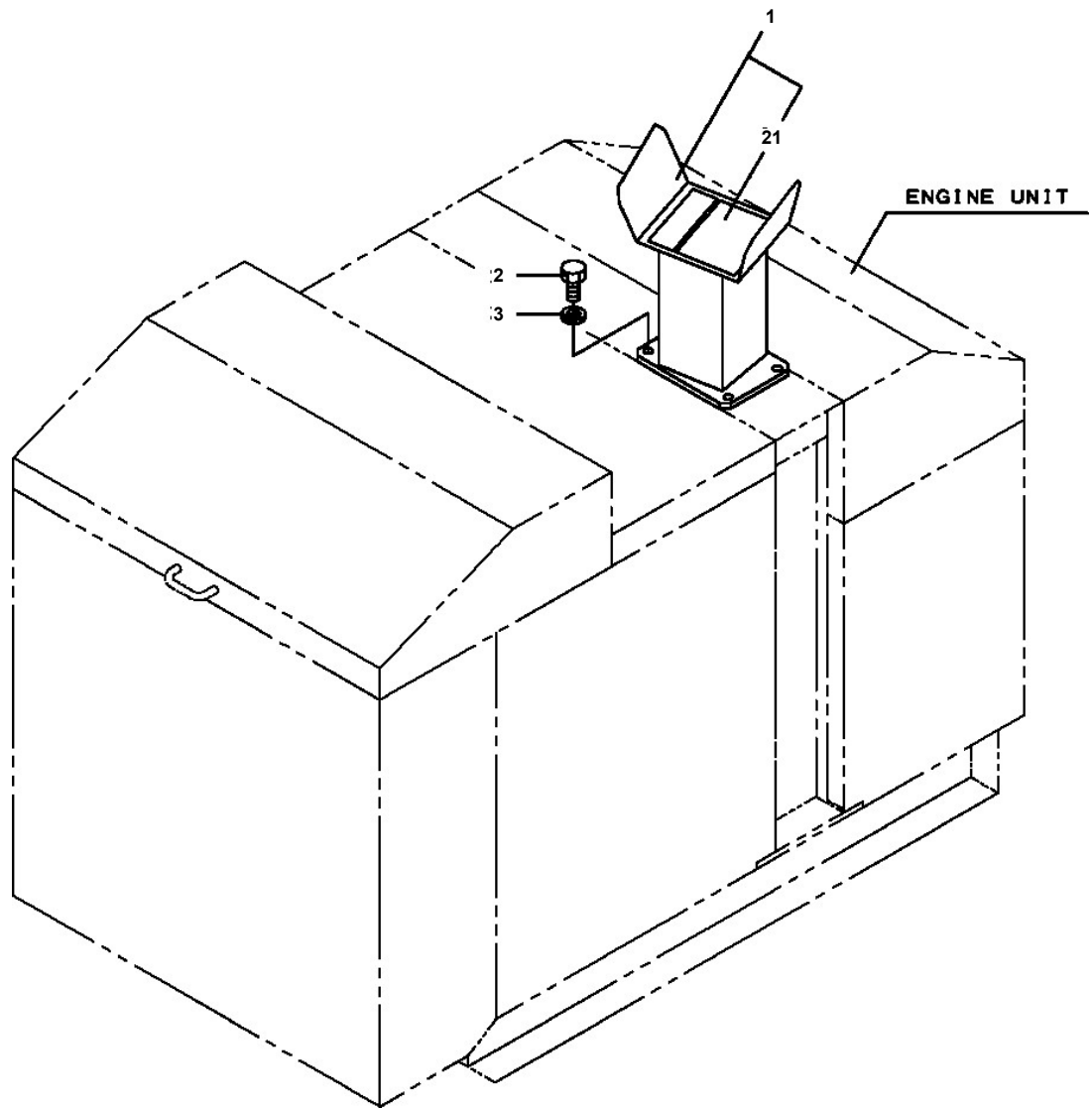
Assembly Name VALVE, REMOTE CONTROL



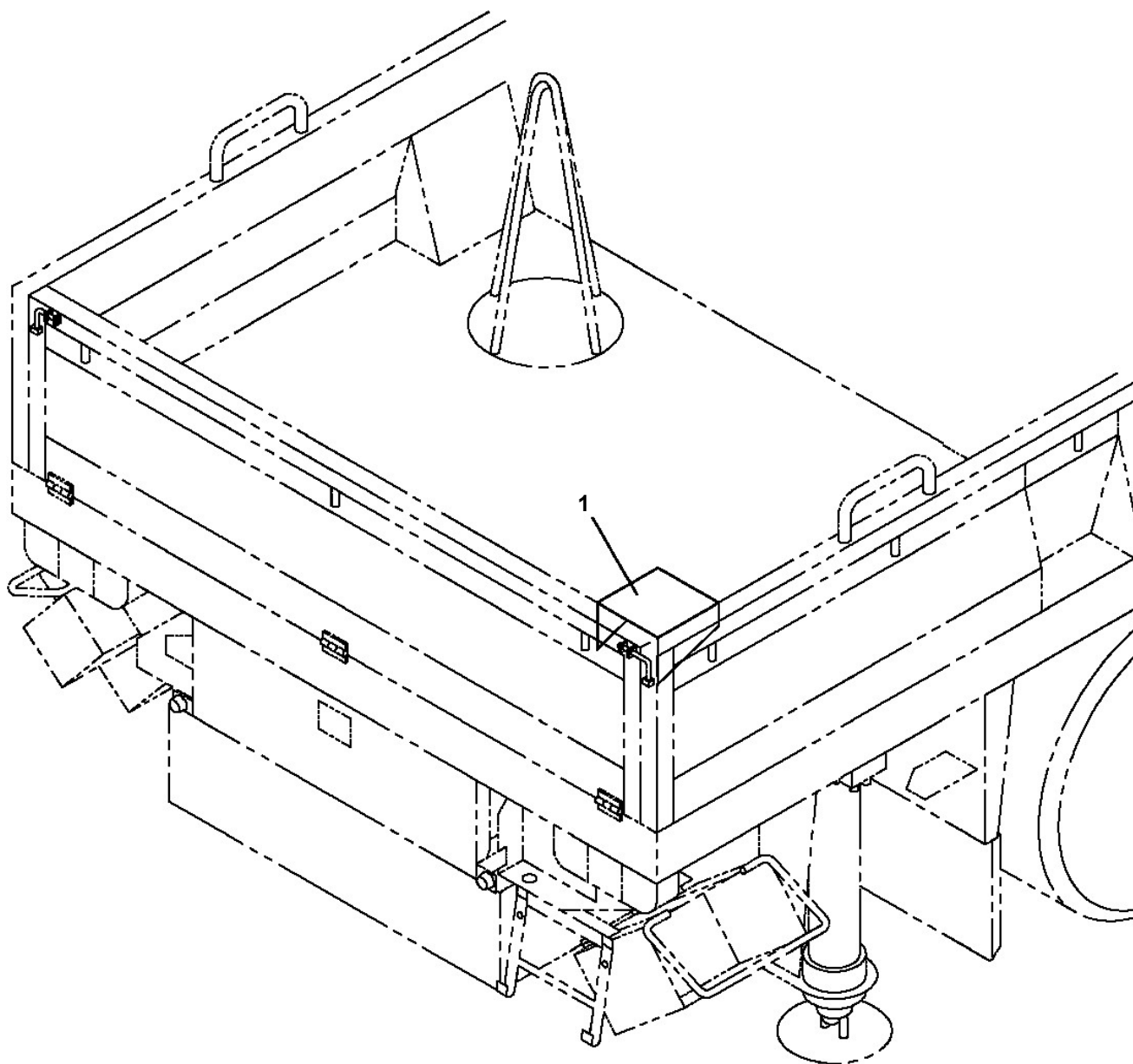
AT-100-1 42063121205 UPPER,LOWER,MITSUBISHI KC-FE567B4K
PW1050018-01 WEDGE (STOPPER FOR TIRE/JUSTIN)



**AT-100-1 42063121205 UPPER,LOWER,MITSUBISHI KC-FE567B4K
PX1120236-01 BOOM REST INSTALLATION**



**AT-100-1 42063121205 UPPER,LOWER,MITSUBISHI KC-FE567B4K
PX1260094-00 STEP INSTALLATION**



AT-100-1 42063121205 UPPER,LOWER,MITSUBISHI KC-FE567B4K

Pos No.	Parts No	Parts Name	Qty	Unit	Technical Data	Serial No (Start)	Serial No (End)	Remarks	P
1	42832102000	BOX,TOOL (RIGHT)	1						00
2	42832103000	BOX,TOOL (LEFT)	1						00
3	42833062000	COVER	1						
4	42833062100	COVER	1						
5	42831870300	COVER	1						
6	90303070801	WASHER,PLAIN	5		8				
7	90302040801	WASHER,SPRING	14		8				
8	42832700400	SUPPORT	2						
9	42833062200	FENDER (DECK,REAR)	1						00
10	42833062300	COVER	1						
11	90101208016	BOLT	14		M8X16				
12	37000505950	PLATE	16		T=3.2				
13	37000547660	PLATE	9		T=2.3				
14	90101210025	BOLT	20		M10X25				
15	90302041001	WASHER,SPRING	30		10				
16	37000539550	PLATE	4						
17	90101210030	BOLT	4		M10X30				
18	42831870500	SUPPORT	1						
19	42831870600	SUPPORT	1						
20	90171112020	BOLT	4		M12X20				
21	90302041201	WASHER,SPRING	8		12				
22	90101210020	BOLT	6		M10X20				
23	90101512025	BOLT	4		M12X25				
24	90303071201	WASHER,PLAIN	4		12				

AT-100-1 42063121205 UPPER,LOWER,MITSUBISHI KC-FE567B4K

Pos No.	Parts No	Parts Name	Qty	Unit	Technical Data	Serial No (Start)	Serial No (End)
3	(*****)	PARTS,CHASSIS MODIFICATION	1				
5	(*****)	MOUNT,LAMP (TAIL)	1				
6	(*****)	ATTACHMENT PARTS, CRANE FRAME	1				
7	(*****)	TANK SUPPORT INSTALLATION	1				
8	(*****)	MOUNT,TIRE	1				
10	(*****)	GUARD,SIDE (CARRIER)	1				
11	(*****)	ELEC.ASSY (EMERGENCY PUMP)	1				

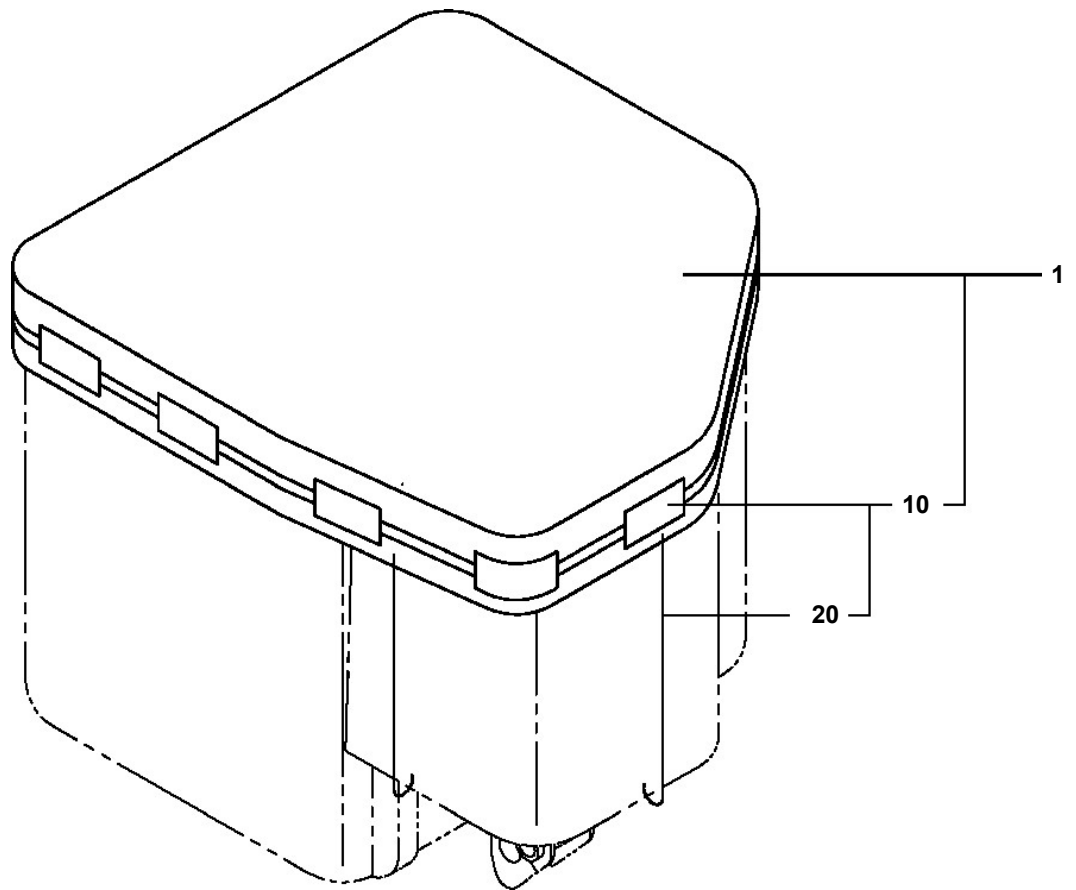
AT-100-1 42063121205 UPPER,LOWER,MITSUBISHI KC-FE567B4K

Pos No.	Parts No	Parts Name	Qty	Unit	Technical Data	Serial No (Start)	Serial No (End)
1	42470330000	ROPE (SAFETY,YELLOW:TD-TYPE)	1				

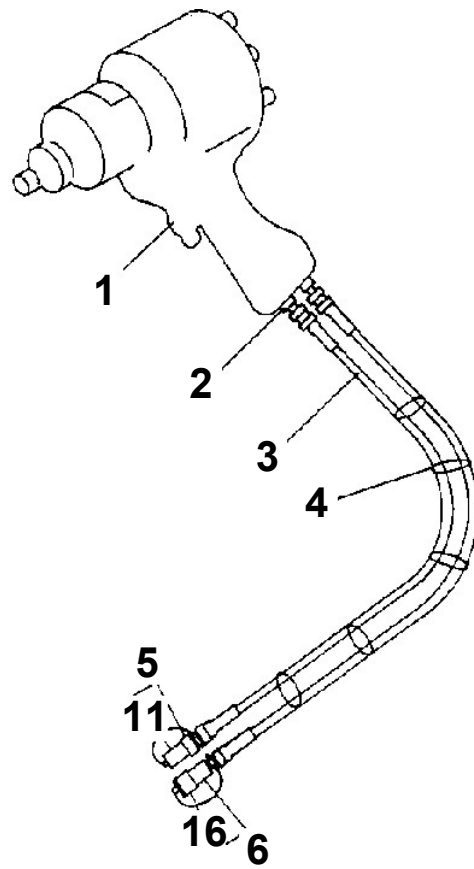
AT-100-1 42063121205 UPPER,LOWER,MITSUBISHI KC-FE567B4K

Pos No.	Parts No	Parts Name	Qty	Unit	Technical Data	Serial No (Start)	Serial No (End)	R
1	37002449490	HOSE	2		L=2300			
2	91002801100	O-RING	2		1B P11			
3	36630950000	VALVE	1					
4	44470870600	JOINT	1					
5	90101206012	BOLT	2		M6X12			
6	90302040601	WASHER,SPRING	3		6			
7	90201200600	NUT	1		M6			
8	82100002006	CLAMP	1		WR10			
9	89631601000	HOSE,VINYL	1		15X20,1M			
10	91801300210	CLIP	2		D=18-21			
11	90101212025	BOLT	1		M12X25			
12	90201201200	NUT	1		M12			
13	42340013400	GASKET	3					
14	90101020030	BOLT	1					
15	42473530020	GASKET	1					
16	90201252000	NUT	1		M20			
17	80456020610	JOINT,SELF SEALING	1					
18	37000918530	JOINT	2					
19	37001600810	NUT	2		PF1/4			
20	42340013200	JOINT,SELF SEALING (WITH CAP)	1					
21	42310040050	ROPE (TETORON)	2					
22	82100001735	SLEEVE	4					
23	91810130240	FASTENER	10					
24	42474411500	HARNESS	1					
25	42474411400	PLATE	1					
31	42340017510	CAP (DUST)	1					
41	42340017550	CAP (DUST)	1					

**AT-100-1 42063121205 UPPER,LOWER,MITSUBISHI KC-FE567B4K
PY1540021-02 COVER,BUCKET**



**AT-100-1 42063121205 UPPER,LOWER,MITSUBISHI KC-FE567B4K
PY1680000-02 WRENCH,IMPACT (HYDRAULIC)**



CLICK HERE TO **DOWNLOAD** THE COMPLETE MANUAL

- Thank you very much for reading the preview of the manual.
- You can download the complete manual from: www.heydownloads.com by clicking the link below



- Please note: If there is no response to CLICKING the link, please download this PDF first and then click on it.

CLICK HERE TO **DOWNLOAD** THE COMPLETE MANUAL