

# **CLARK**

## **PARTS MANUAL SUPPLEMENT**

Use this Supplement with 35B Parts Manual Book No. 5150 REV-1.

### **No. 4218-1 MODEL 35B MICHIGAN TRACTOR SHOVEL**

Information contained herein pertains to  
Machine Serial Numbers listed below:

**35B ISUZU ENGINE SERIES**

CLICK HERE TO **DOWNLOAD** THE COMPLETE MANUAL

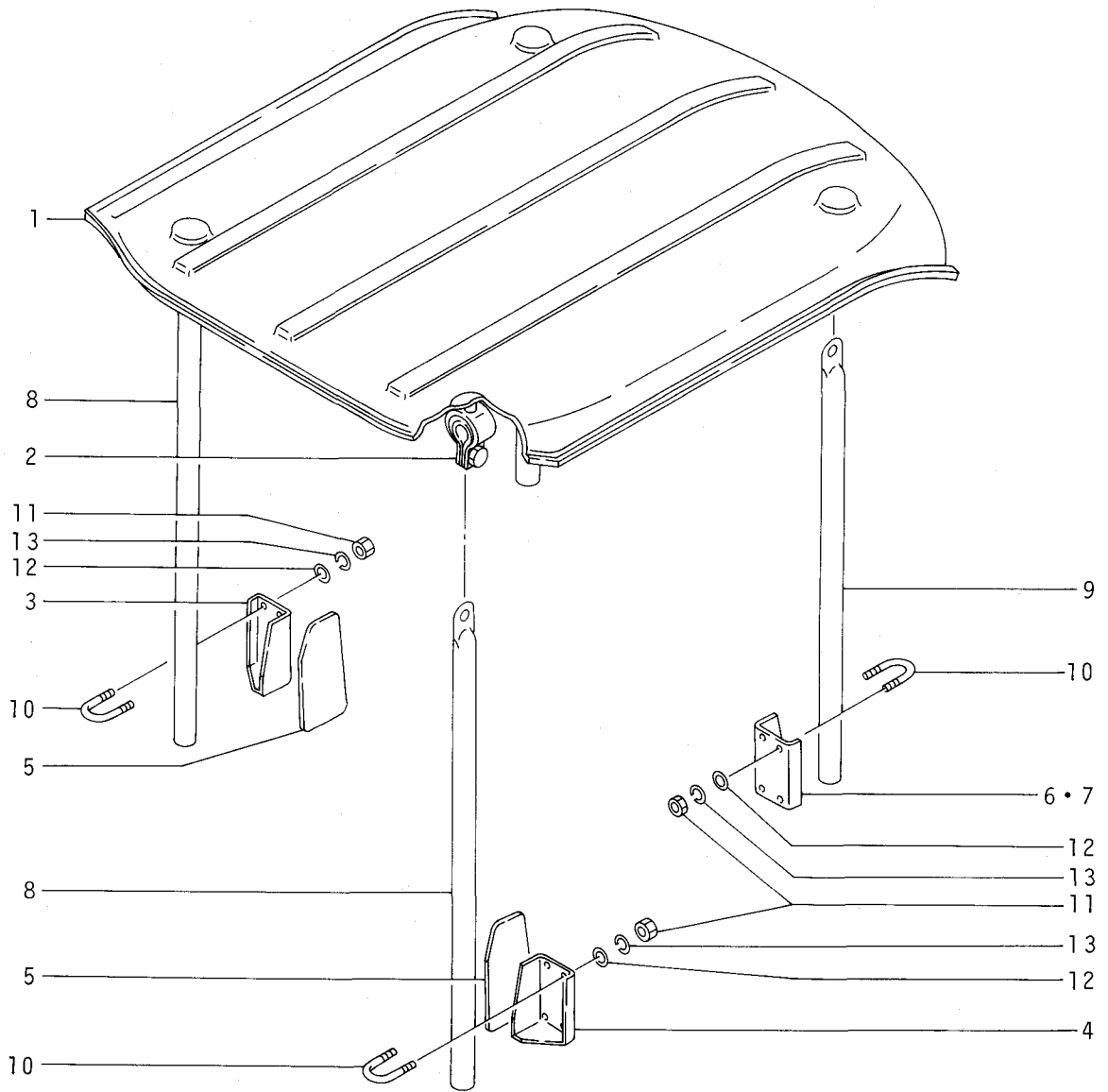
- Thank you very much for reading the preview of the manual.
- You can download the complete manual from: [www.heydownloads.com](http://www.heydownloads.com) by clicking the link below



- Please note: If there is no response to CLICKING the link, please download this PDF first and then click on it.

CLICK HERE TO **DOWNLOAD** THE COMPLETE MANUAL

Awning



Cylinder Assembly, Bucket (Backhoe)

No.	Part No.	Qty.	Description	No.	Part No.	Qty.	Description
A	<sup>1</sup> 3986064	1	Bucket cylinder assy				
1	3985905	1	Tube cylinder				
2	3985696	2	Bushing				
3	3985694	4	Seal dust				
4	3985702	1	Piston				
5	3985698	2	Ring wear				
B	<sup>2</sup> 3918770	1	Seal ring set				
6	3985699	1	Ring				
7	3985700	1	Ring back				
8	3985706	1	Bushing guide				
9	3986065	1	Cover rod				
10	3966763	1	O-ring				
11	3966817	1	O-ring				
12	3986066	1	Seal dust				
13	3985705	1	Packing				
14	3985906	1	Rod piston				
15	3966733	1	O-ring				
16	3985697	1	Washer				
17	3985703	1	Nut				
18	13JM663	1	Pin cotter				
19	3985904	1	Spacer				
20	3971680	2	Fitting grease				
21	3986067	1	Ring backup				
22	7JM70	1	Ring snap				

**Note**

<sup>1</sup>Inc. 1 - 22  
<sup>2</sup>Inc. 6,7

Electrical Parts (Backhoe)

No.	Part No.	Qty.	Description	No.	Part No.	Qty.	Description
1	3985942	2	Connector female				
2	3985943	2	Connector male				
3	<sup>1</sup> 3951569	1	Lamp tail stop and flasher R.H.				
4	<sup>1</sup> 3951651	1	Lamp tail stop and flasher L.H.				
5	<sup>2</sup> 3951768	2	Bulb				
6	<sup>3</sup> 3951761	2	Bulb				
7	<sup>4</sup> 3951766	2	Bulb				
8	3951771	2	Lens				
9	+ 1539058	10	Tie cable				

**Note**

- <sup>1</sup>Inc. 5 → 8
- <sup>2</sup>24V 3W
- <sup>3</sup>24V 26W
- <sup>4</sup>24V 26/10W

## Hydraulic System, Swing (Backhoe)

No.	Part No.	Qty.	Description	No.	Part No.	Qty.	Description
1	3985968	1	Pipe	36	3966523	1	O-ring
2	3985969	1	Pipe	37	<sup>1</sup> 3985806	1	Elbow
3	4CM816	2	Bolt	38	3985798	1	Pipe
4	6EM80	2	Lockwasher	39	3985799	1	Pipe
5	3985831	1	Clamp	40	3985800	1	Pipe
6	3985839	1	Clamp	41	3985801	1	Pipe
7	1CM845	1	Bolt	42	3985789	2	Clamp
8	6EM80	1	Lockwasher	43	3985790	2	Clamp
9	3985840	1	Elbow	44	4CM830	2	Bolt
10	3985803	1	Pipe	45	6EM80	2	Lockwasher
11	3985802	1	Pipe				
12	3966602	2	O-ring				
13	5CM1240	4	Bolt				
14	6EM120	4	Lockwasher				
15	3985788	1	Hose				
16	3985795	1	Hose				
17	3986086	2	Pipe				
18	3986087	1	Pipe				
19	3985791	1	Clamp				
20	3985792	1	Clamp				
21	4CM820	2	Bolt				
22	6EM80	2	Lockwasher				
23	3985837	3	Hose				
24	3985824	1	Pipe				
25	4CM820	2	Bolt				
26	6EM80	2	Lockwasher				
27	3985733	1	Pipe				
28	3985734	1	Pipe				
29	3985794	2	Hose				
30	3985796	1	Pipe				
31	3985797	1	Pipe				
32	3985793	2	Clamp				
33	4CM816	4	Bolt				
34	6EM80	4	Lockwasher				
35	3985726	1	Restrictor				

**Note**

<sup>1</sup>Inc. 36

CLICK HERE TO **DOWNLOAD** THE COMPLETE MANUAL

- Thank you very much for reading the preview of the manual.
- You can download the complete manual from: [www.heydownloads.com](http://www.heydownloads.com) by clicking the link below



- Please note: If there is no response to CLICKING the link, please download this PDF first and then click on it.

CLICK HERE TO **DOWNLOAD** THE COMPLETE MANUAL