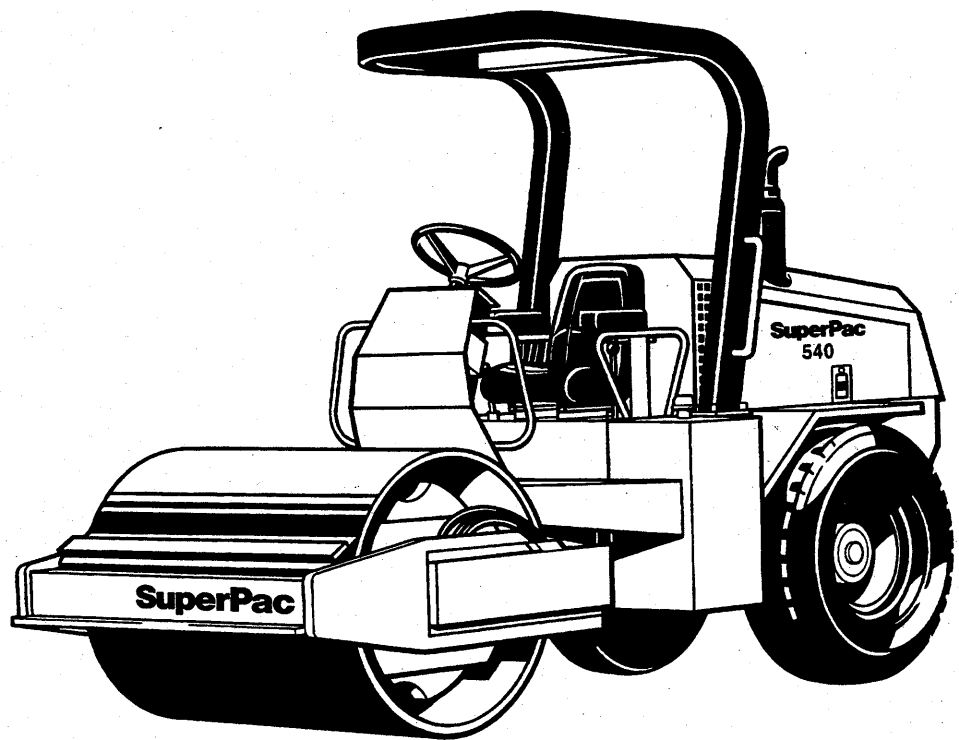


SuperPac COMPACTION

540/540P

Applicable to Rollers with
S/N 100144 & up



Parts Manual

SuperPac Compaction
777 Laurel Street,
Cambridge, Ontario, Canada N3H 3Z1
Tel: 519-653-6234
Fax: 519-653-2527
E-mail: parts@superpac.com

©2000 SuperPac Compaction
Part No. L-3052-03 (09/00)
Printed in Canada

CLICK HERE TO **DOWNLOAD** THE COMPLETE MANUAL

- Thank you very much for reading the preview of the manual.
- You can download the complete manual from: www.heydownloads.com by clicking the link below



- Please note: If there is no response to CLICKING the link, please download this PDF first and then click on it.

CLICK HERE TO **DOWNLOAD** THE COMPLETE MANUAL

If you have any difficulty obtaining parts or service for your vibratory compactor, please contact SuperPac Compaction, Cambridge, Ontario, Canada.

Telephone: 519-653-6234
Fax: 519-653-2527

Parts
Telephone: 519-653-6234
Fax: 519-653-3014

Always give your SuperPac Dealer the complete Serial Number of your compactor with the part number, description and quantity of the part you need. Refer to **Using this Manual** on page iv.

The information in this manual is current at the time of publication. Ongoing product improvements may cause some part numbers to change. Always verify part numbers with your SuperPac Dealer before ordering parts.

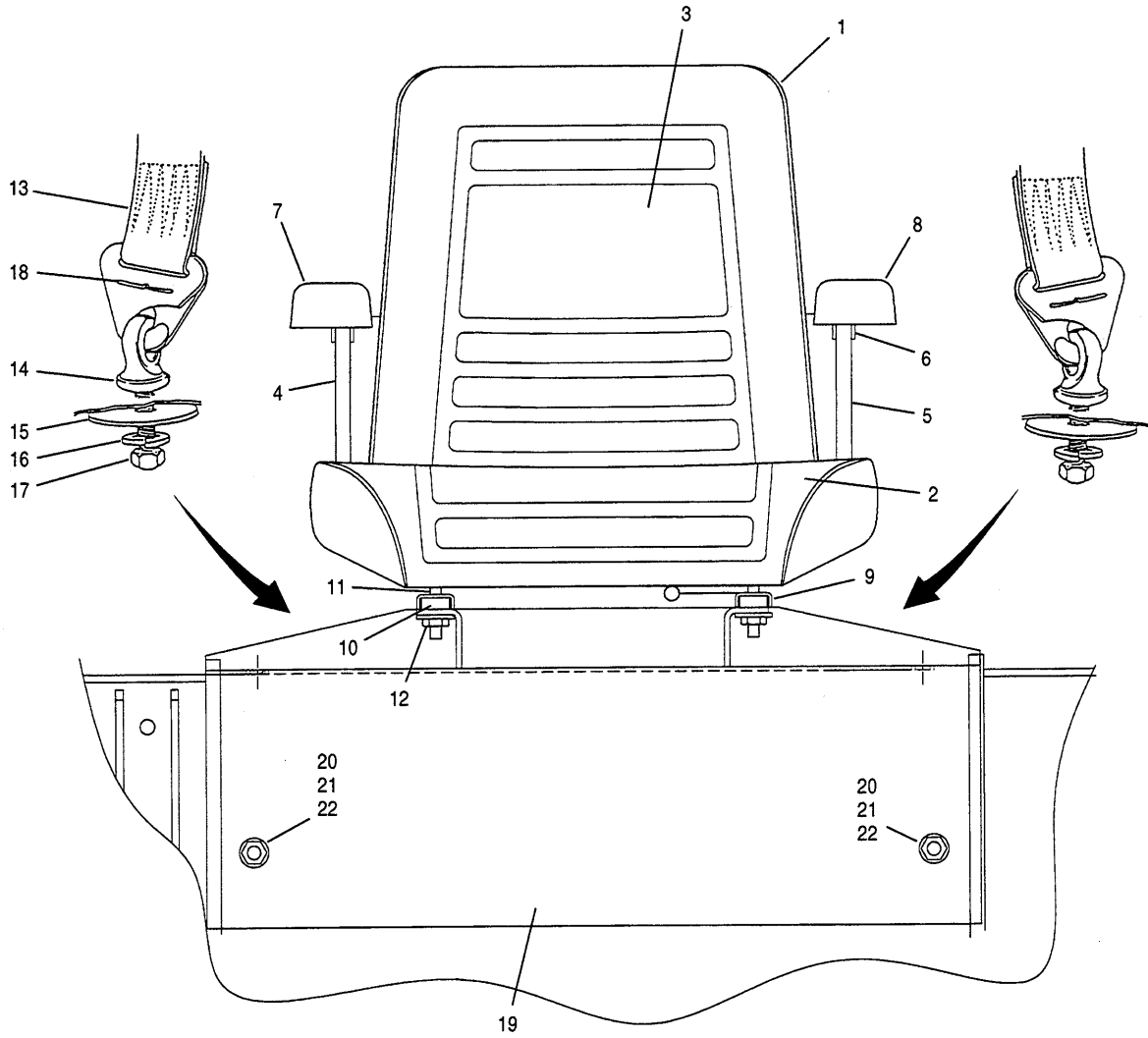
SuperPac Compaction reserves the right to amend any specification without notice.

Use only genuine **SUPERPAC PARTS** in your SuperPac vibratory compactor.

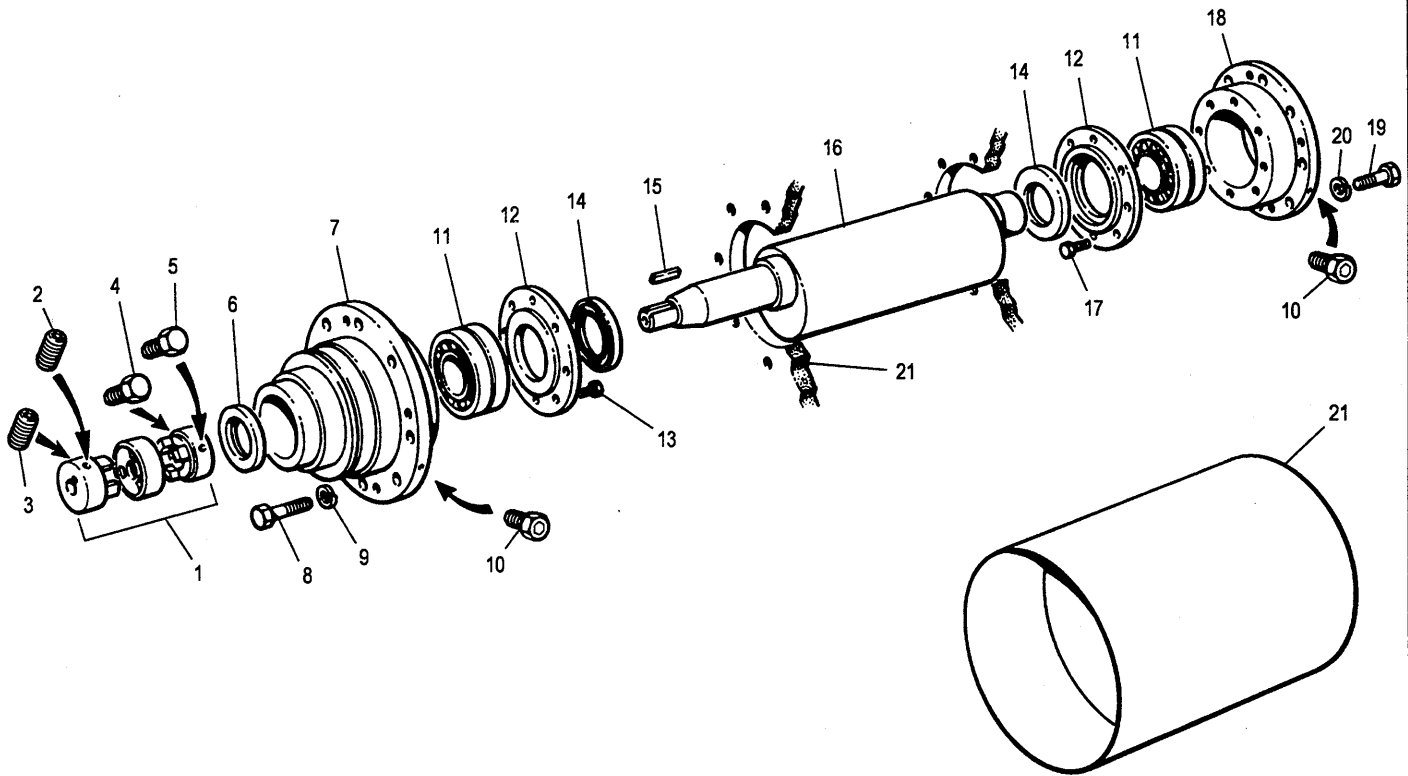
Abbreviations

Abbreviations used throughout the manual are as follows:

A.R.	- As required
AMP	- Amperes
Aux.	- Auxiliary
DIA.	- Diameter
hp	- Horsepower
ID	- Inside Diameter
L.H.	- Left-hand
mm	- Millimeters
N/A	- Not Applicable
OD	- Outside Diameter
P/N	- Part Number
R.H.	- Right-hand
Ref.	- Reference
Req'd	- Required
ROPS	- Rollover Protective Structure
S/N	- Serial Number
thru	- Through
V	- Volt
Zi	- Zinc

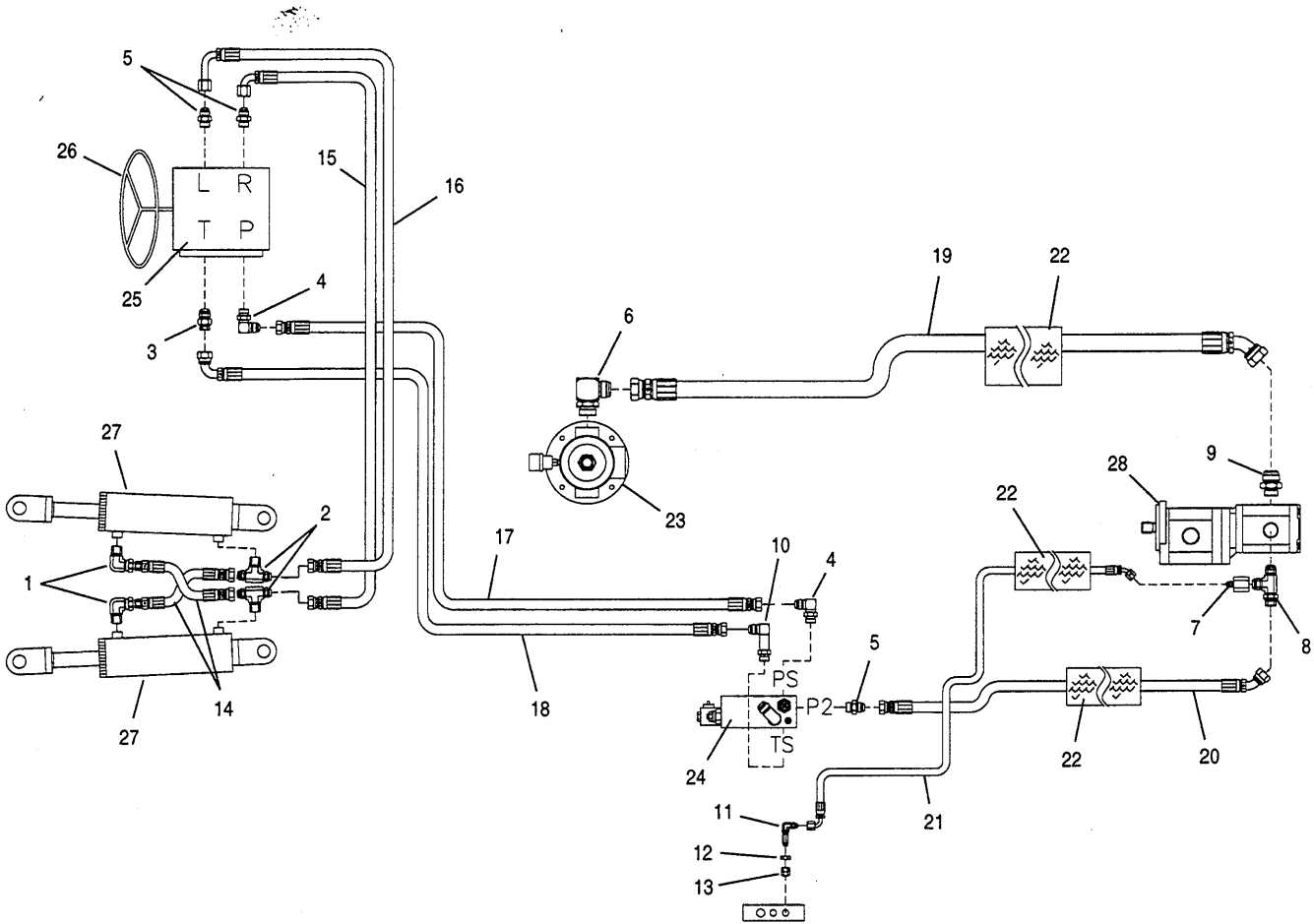


Item	Part No.	Description	Qty.	Remarks	Item	Part No.	Description	Qty.	Remarks
	208257	SEAT ASSEMBLY - INCLUDES ITEMS 1 TO 12	1		13	201426	SEAT BELT - INCLUDES ITEMS 14 TO 18	1	
1	204525	METAL SHELL	1		14	201232	EYE BOLT	2	
2	201526	SEAT CUSHION PAD	1		15	201233	WASHER	2	
3	201527	BACK REST PAD	1		16	201319	LOCKWASHER	2	
4	201528	R.H. ARM REST BRACKET	1		17	201384	NUT	2	
5	201529	L.H. ARM REST BRACKET	1		18	201429	COTTER PIN	2	
6	201530	ARM CHANNEL	2		19	2676	SEAT SUPPORT	1	
7	201535	R.H. ARM PAD	1		20	50A-0608Zi	BOLT	4	
8	201535	L.H. ARM PAD	1		21	14A-06Zi	LOCKWASHER	4	
9	201531	CONTROL TRACK	1	INCL HANDLE	22	14C-06Zi	WASHER	4	
10	201532	4" FREE TRACK	1						
11	201533	SPACER WASHER	4						
12	36E-06Zi	SPIN LOCK NUT	4						



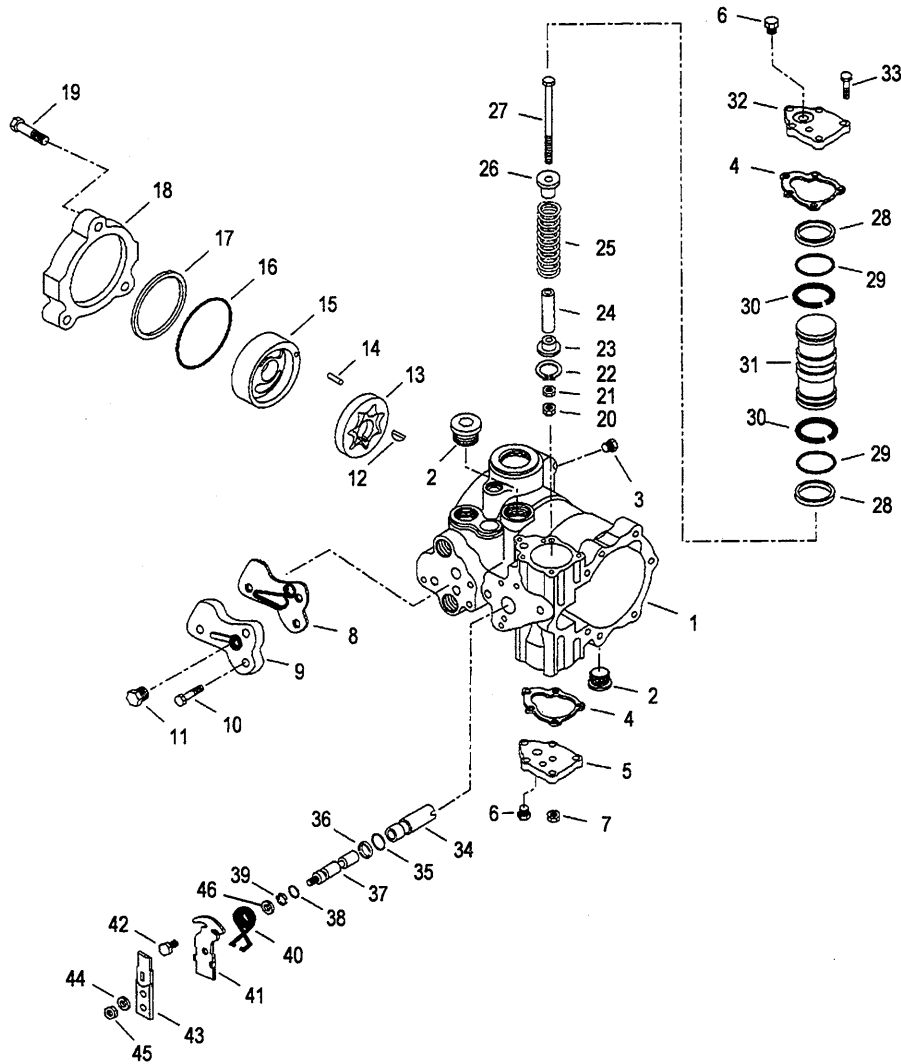
Item	Part No.	Description	Qty.	Remarks
1	13	COUPLING - INCLUDES ITEMS 2 & 3	1	
2	70E-0414	SET SCREW	1	
3	70E-0416	SET SCREW	1	
4	50A-0508Z	BOLT	1	
5	50A-0507Z	BOLT	1	
6	12	SEAL	1	
7	2147	BEARING CARRIER	1	
8	50A-1016Z	BOLT	8	
9	14A-10Z	LOCKWASHER	8	
10	54D-0404	PLUG	2	
11	7	BEARING	2	
12	10	SEAL PLATE	2	
13	50A-0606Z	BOLT	8	
14	9	SEAL	2	
15	916	KEY	1	
16	860	ECCENTRIC SHAFT	1	
17	50A-0606Z	BOLT	8	
18	8	BEARING CARRIER	1	
19	50A-1014Z	BOLT	8	
20	14A-10Z	LOCKWASHER	8	
21	54017	PADFOOT DRUM SHELL	1	
	54037	SMOOTH DRUM SHELL	1	
	201824	VIBE BEARING GREASE	1	

Item	Part No.	Description	Qty.	Remarks



Item	Part No.	Description	Qty.	Remarks
1	113C-0608	ELBOW	2	
2	110Y-0808	TEE	2	
3	111E-1012	ADAPTER	1	
4	111B-0808	ELBOW	2	
5	111E-0808	ADAPTER	3	
6	111B-1616	ELBOW	1	
7	110A-1004	REDUCER	1	
8	111D-1010	TEE	1	
9	111E-1612	ADAPTER	1	
10	111Q-0808	ELBOW	1	
11	110W-04	ELBOW	1	
12	116B-04	NUT	1	
13	110E-04	CAP	1	
14	205358X21.5	HOSE	2	
15	59086X58	HOSE	1	
16	205368X60	HOSE	1	
17	205374X80.5	HOSE	1	
18	205367X80	HOSE	1	
19	205370X70	HOSE	1	
20	205369X59	HOSE	1	
21	205376X64	HOSE	1	

Item	Part No.	Description	Qty.	Remarks
22		HOSE PROTECTOR		Ref. 4-3
23		SUCTION FILTER		Ref. 4-3
24		VIBRATION/STEERING VALVE		Ref. 4-5
25		STEERING CONTROL UNIT		Ref. 5-1
26		STEERING WHEEL		Ref. 5-1
27		STEERING CYLINDERS		Ref. 5-2
28		STEERING & VIBRATION PUMP		Ref. 5-10



Item	Part No.	Description	Qty.	Remarks
	805	PROPEL PUMP	1	
1		HOUSING	1	
2		PLUG	2	
3		PLUG	1	
4	204845	SERVO COVER GASKET	2	
5		SERVO COVER	1	
6		PLUG	2	
7		NUT	1	
8		FILTER ADAPTER SEAL	1	
9		SUCTION FILTER ADAPTER	1	
10		SCREW	3	
11		PLUG	1	
12		WOODRUFF KEY	1	
13		GEROTOR ASSEMBLY	1	
14		PIN	1	
15		GEROTOR COVER	1	
16	208979	O-RING	1	
17	202155	TEMPER LOAD RING	1	
18		CHARGE PUMP COVER	1	
19		SCREW	3	
20		NUT	1	
21		NUT	1	
22		RETAINING RING	1	
23		SPRING GUIDE	1	
24		SERVO STOP	1	
25		SERVO SPRING	1	
26		SPRING GUIDE	1	

Item	Part No.	Description	Qty.	Remarks
27		SCREW	1	
28		PISTON RING	2	
29		O-RING	2	
30		BEARING	2	
31		SERVO PISTON	1	
32		SERVO COVER	2	
33		SCREW	10	
34	203537	CONTROL VALVE SLEEVE	1	
35	202096	O-RING	1	
36	202098	BACK UP RING	1	
37	202520	SPOOL	1	
38	202097	O-RING	1	
39	202099	BACK UP RING	1	
40	201537	NEUTRAL RETURN SPRING	1	
41	202451	NEUTRAL RETURN BRACKET	1	
42	202521	SCREW	1	
43	205171	PUMP LEVER	1	
44	202522	TOOTHLOCK WASHER	1	
45	202523	SPECIAL NUT	1	
46	203538	WASHER	1	
	202157	SEAL KIT	1	
		-INCLUDES ITEMS 35, 36, 38 & 39		
	203435	SEAL KIT - OVERHAUL	1	
		- INCLUDES ITEMS 4, 8, 16, 17, 28, 29, 30, 35, 36, 38 & 39		INCLUDES PARTS ON PAGE 5-8

CLICK HERE TO **DOWNLOAD** THE COMPLETE MANUAL

- Thank you very much for reading the preview of the manual.
- You can download the complete manual from: www.heydownloads.com by clicking the link below



- Please note: If there is no response to CLICKING the link, please download this PDF first and then click on it.

CLICK HERE TO **DOWNLOAD** THE COMPLETE MANUAL